

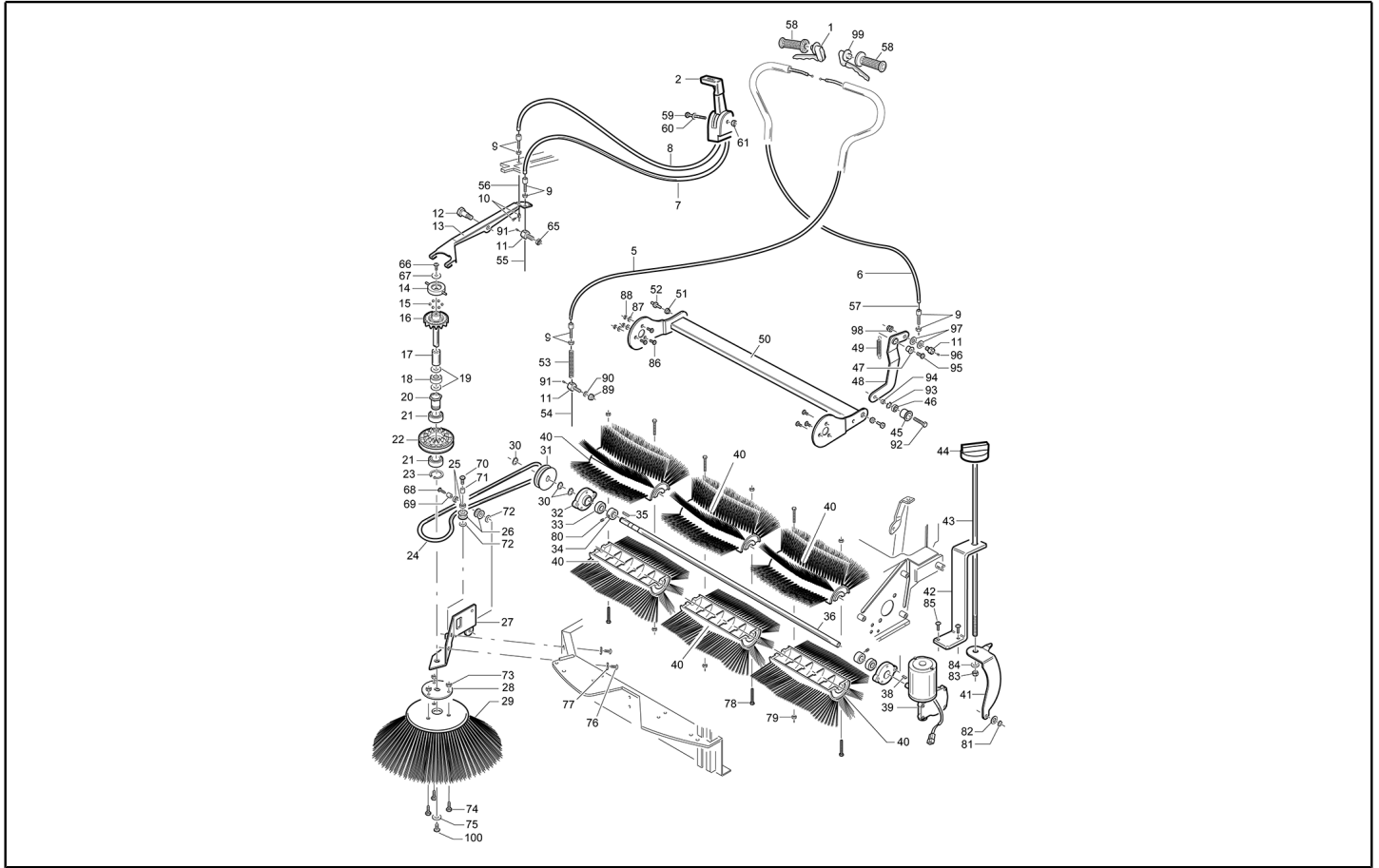


IPC

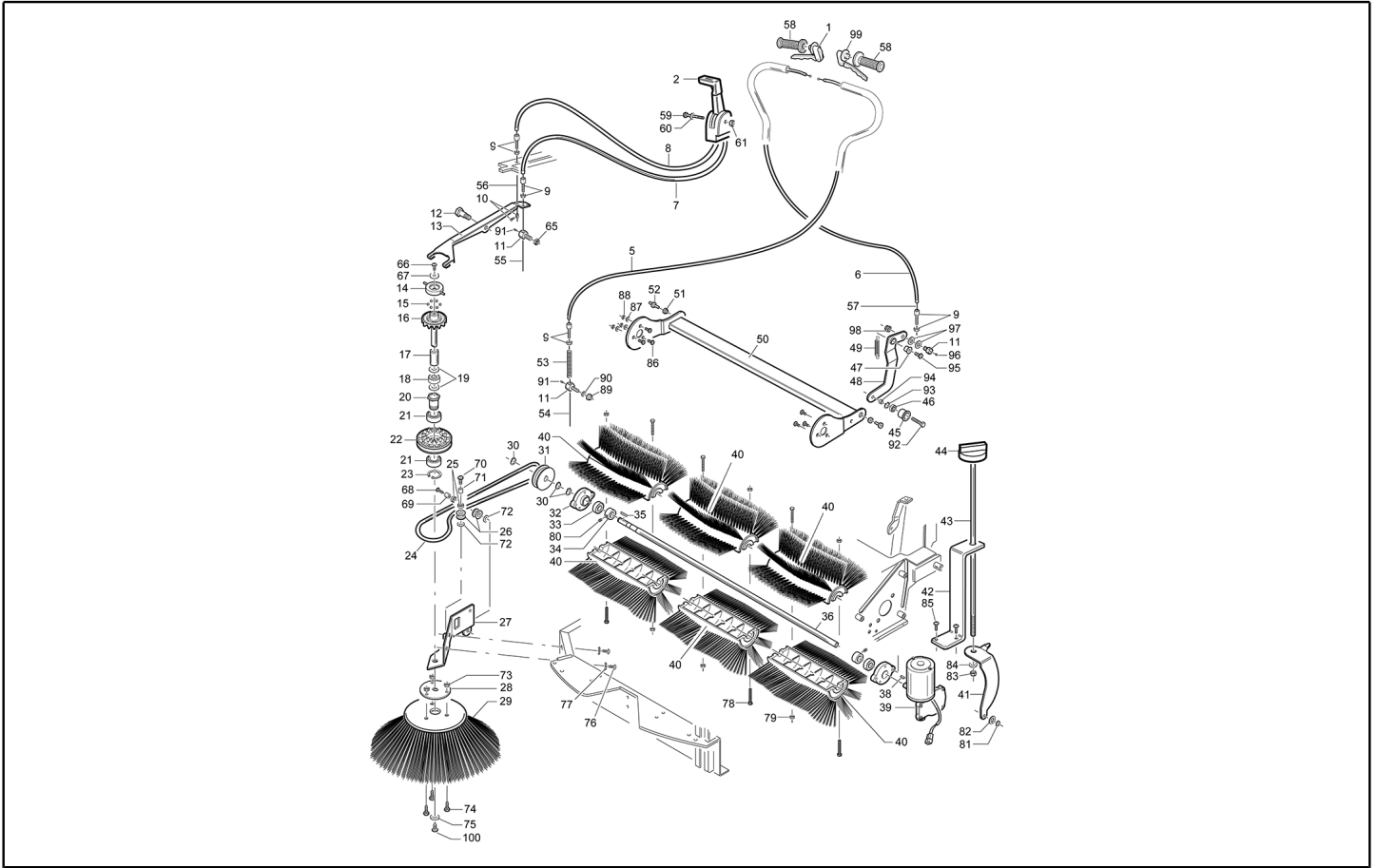
Spare parts list

Ref: MSUT00673

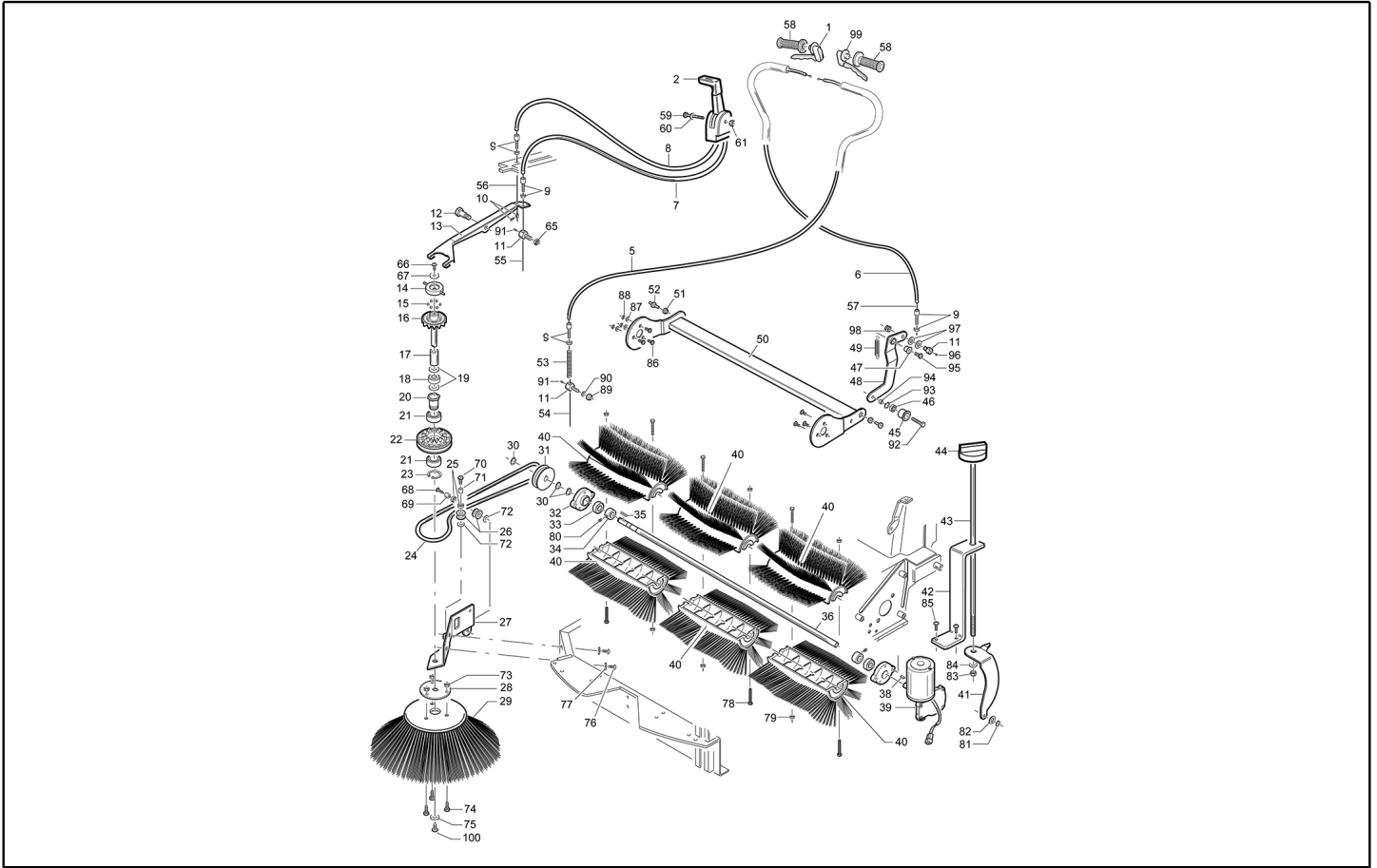
Model: SWEEPER 712 ST+SF GR/VE IPC



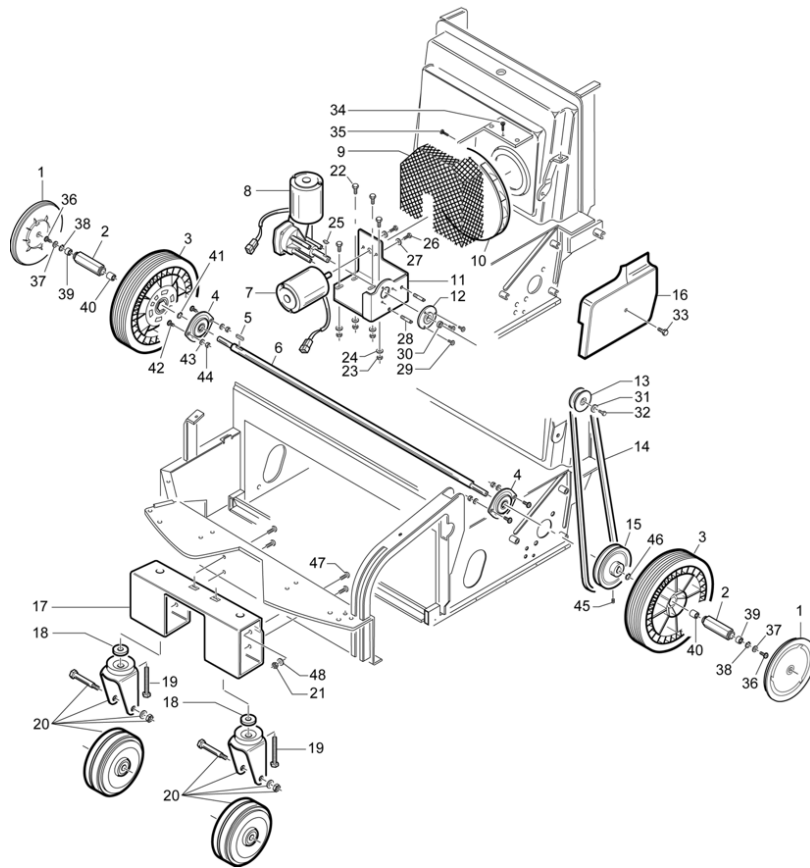
Ref. K	Part n.	Part n. 2	Description	Quantity	Validity		Price
					From	To	
0001	PMTR00089		HANDLE TRAZ.K E TK NUOVO MAN.COM	1,00			--
0002	MPVR00017		LEVER COMANDO SPAZZ.ASSEMBLATA	1,00			--
0005	CMCV00345		SHEATH FLAP CABLE 512-712	1,00			--
0006	CMCV00347		SHEATH 512-712 UT	1,00		24/01/2010	--
0006	CMCV00440		SHEATH TRACTION CABLE 512-712	1,00	25/01/2010		--
0007	CMCV00351		SHEATH 512-712 UT	1,00			--
0008	CMCV00350		SHEATH 512-712 UT	1,00			--
0009	CMCV75723		REGISTER D.7	4,00			--
0010	CMCV75737		CLAMP D.7 art.857	1,00			--
0011	LAFN01068		SCREW CH.17 H.28 FISSAGGIO FILO	3,00			--
0012	LAFN75968		PIN CH.17 H.34 LEVA SPAZ.LAT.	1,00			--
0013	LAFN75953		LEVER SOLLEV.SPAZZ.LATER.TK ZIN	1,00			--
0014	LAFN75824		RING CUSCIN.SPAZZOLA LATER.TK	1,00			--
0015	SFVR00002		BALL 11/32"	6,00			--
0016	LAFN75826		RING DENTATO MOV.SPAZZ.LAT. TK	1,00			--
0017	LAFN75912		SPACER ALBERO SPAZ.LAT.TIPO NUOVO	1,00			--
0018	CUVR37344		ROLLER BEARING HK 1412	1,00			--
0019	VTRS75831		WASHER IN FELTRO X BRACCIO LAT.	2,00			--
0020	LAFN75833		BUSHING PORTACUSC.TK NUOVO TIPO	1,00			--
0021	CUVR86893		BEARING 6005 2RS	2,00			--
0022	LAFN75827		RING DENTATO FOLLE TK	1,00			--
0023	VTAE09655		SEEGER ESTERNO DIN 471 D.25	1,00			--
0024	MTCG85335		BELT D.8MM SIDE ARM-BLUE	1,00			--
0025	CUVR75814		BEARING HK1012	2,00			--
0026	MTPL75996		PULLEY D.27X15 BRACCIO LAT.NUOVO	1,00			--
0027	LAFN76005		SUPPORT SPAZZOLA LATERALE TK ZINC	1,00			--
0028	LAFN75986		FLANGE TRASCIN.SPAZ.LAT.TK ZINC.	1,00			--
0029	PMVR00248		SIDE-BRUSH TK COMPLETA PPL 70	1,00			--
0030	VTAE17003		CIRCLIP ESTERNO DIN 471 D.15	3,00			--
0031	MTPL00003		PULLEY SPAZZOLA LATERALE D.17	1,00			--
0032	MPVR00830		SUPPORT T.90 DX/SX(5 INS.)+CUSC.	2,00			--
0033	CUVR00008		BEARING 6003 2RS	2,00			--
0034	LAFN00258		SPACER ALBERO SPAZZOLA TK700	2,00			--
0035	VTVR26559		KEY UNI 6604 5X5X15	1,00			--
0036	ALTR00010		BRUSH SHAFT CENTRALA 711/721ET	1,00			--
0037	LAFN75971		PIN FISSAG.SUPP.REGOL.SPAZZ.	1,00			--
0038	VTVR75730		KEY UNI 6606 3X3,7	1,00			--
0039	MOCC00005		MOTOR.GEARBOX D.77 2V 210RPM BIG	1,00			--
0040	SPPV00044		BRUSH ppl 50	3,00			--
0041	LAFN00342		BRACKET REGOL.SPAZ.CENTR.TKE ZINC	1,00			--
0042	LAFN07265		BRACKET 512-712	1,00			--
0043	LAFN07266		ROD 512-712	1,00			--
0044	MPVR10084		SWITCH KNOB O.K.A.	1,00			--
0045	MTPL37338		ROLLER TENDICINGHIA H.15	1,00			--



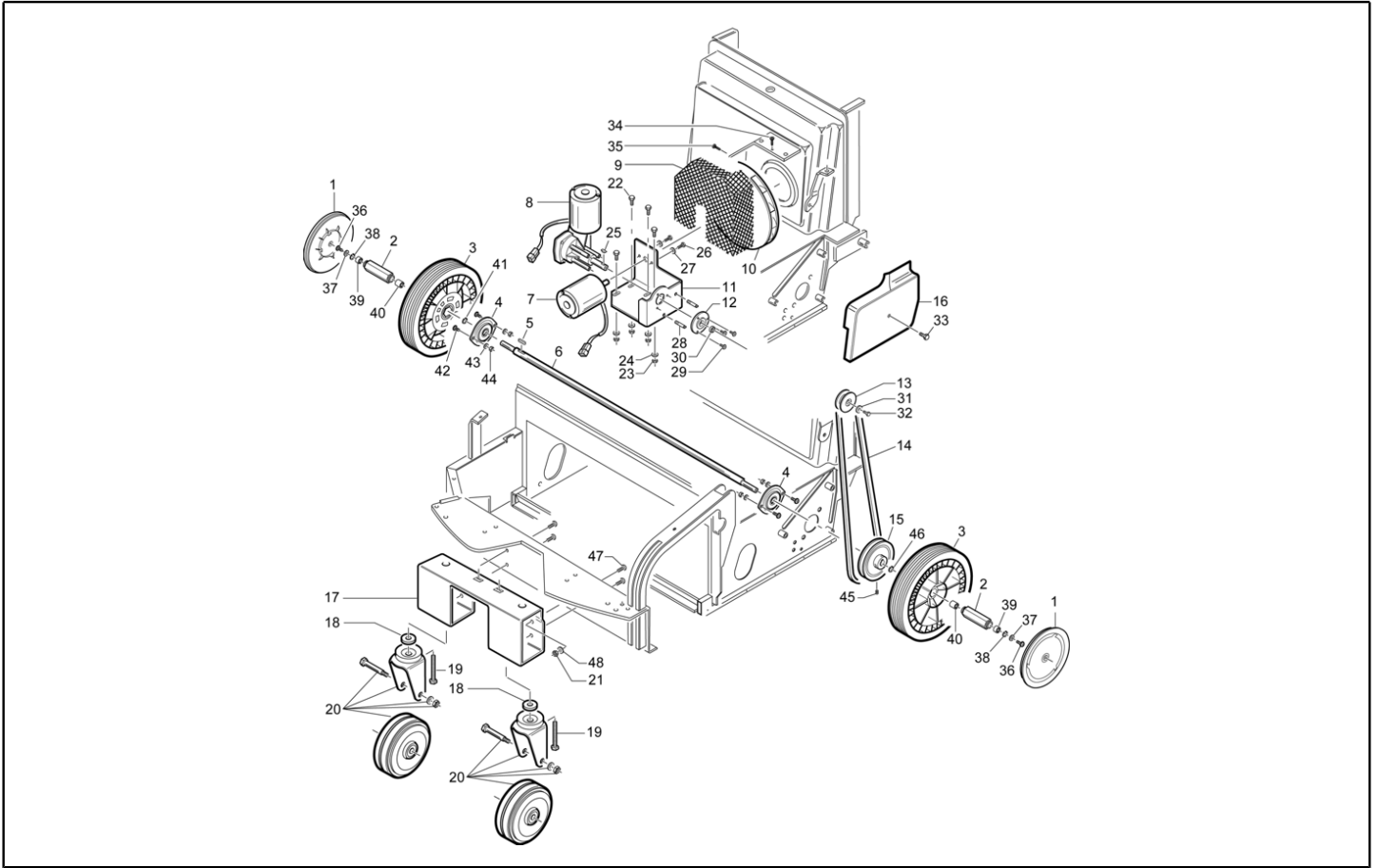
Ref. K	Part n.	Part n. 2	Description	Quantity	Validity		Price
					From	To	
0046	CUVR71988		BEARING 608 2RS	1,00			--
0047	MPVR75836		BUSHING NYLON LEVA TENDICINGHIA	1,00			--
0048	LAFN87609		BRACKET TENDICINGHIA TKE ZINCATA	1,00			--
0049	MLML75960		SPRING TRAZIONE TK D.8X1X29 ZB	1,00		10/11/2016	--
0049	MLML00203		SPRING	1,00	11/11/2016		--
0050	LAFN07291		BALANCER 712	1,00			--
0051	LAFN75834		BUSHING BILANCERE TK D.18 H.20	2,00			--
0052	LAFN76019		PIN CH 13 H.25 BILANCERE TK	2,00			--
0053	MLML00033		SPRING ALZAFLAP SILVER ZB	1,00			--
0054	CMCV00346		CABLE FLAP 512-712 WB	1,00			--
0055	CMCV00349		CABLE 512-712 UT	1,00			--
0057	CMCV00348		CABLE 512-712 UT	1,00		24/01/2010	--
0057	CMCV00441		CABLE TRACTION LEVER 512-712 WB	1,00	25/01/2010		--
0058	MPVR00036		KNOB GOMMA NERA D.24/24 FORATA	2,00			--
0059	LAFN75738		LEVER COMANDO SPAZZOLA	1,00			--
0061	LAFN75738		LEVER COMANDO SPAZZOLA	1,00			--
0065	VTDD13261		NUT UNI 5589 M8 BASSO ZB	1,00			--
0066	VTVT75724		SCREW TBCE ISO 7380 8X22 ZB	1,00			--
0067	VTRS00513		WASHER UNI 6593 8X32X2,5 ZB	1,00			--
0068	VTVT75727		SCREW TBCE ISO 7380 8X25 ZB	1,00			--
0069	LAFN75840		BUSHING D.10 NUOVO BRACCIO LAT.	1,00			--
0070	VTVT75727		SCREW TBCE ISO 7380 8X25 ZB	1,00			--
0071	LAFN75840		BUSHING D.10 NUOVO BRACCIO LAT.	1,00			--
0072	VTRS00504		WASHER D. 8 ZC. UNI 6592	1,00			--
0073	VTDD13261		NUT UNI 5589 M8 BASSO ZB	3,00			--
0074	VTVT00527		SCREW TE FR 6X10 ZB ZIG.	3,00			--
0075	VTRS63242		WASHER UNI 6593 6X24X2 ZB	1,00			--
0076	VTVT45395		SCREW TBCE ISO 7380 8X10 ZB	2,00			--
0077	VTRS00512		WASHER D. 8 X24 ZC.	2,00			--
0078	VTVT22102		SCREW TCCE UNI 5931 5X70 ZB	4,00			--
0079	VTDD01678		NUT M 5 UNI 5588	4,00			--
0080	VTVT75731		GRUB SCREW UNI 5923 6X5	2,00			--
0081	VTAE14016		SEEGER ESTERNO DIN 471 D.12	1,00			--
0082	VTRS00504		WASHER D. 8 ZC. UNI 6592	1,00			--
0083	VTDD00124		NUT M8 DIN985	1,00			--
0084	VTRS00504		WASHER D. 8 ZC. UNI 6592	1,00			--
0086	VTVT00061		SCREW TSCE UNI 5933 6X20 ZB	6,00			--
0087	VTRS00503		WASHER D. 6 UNI 6592	3,00			--
0088	VTDD00491		NUT M 6 TEF	3,00			--
0089	VTDD00124		NUT M8 DIN985	1,00			--
0090	VTRS00504		WASHER D. 8 ZC. UNI 6592	1,00			--
0091	VTVT87456		GRUB SCREW UNI 5923 5X6	1,00			--
0091	VTVT87456		GRUB SCREW UNI 5923 5X6	1,00			--
0092	VTVT76018		SCREW BLOCCAG.RULLO TENDICING.	1,00			--



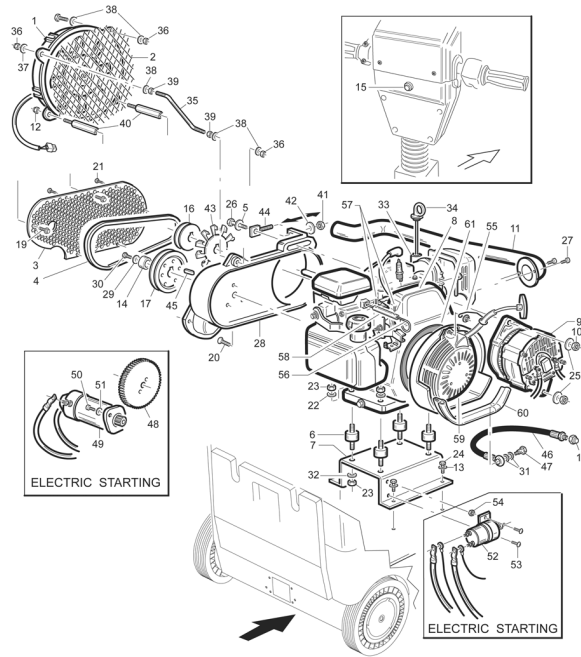
Ref. K	Part n.	Part n. 2	Description	Quantity	Validity		Price
					From	To	
0093	VTAE87082		SEEGER INTERNO DIN 472 D.22	1,00			--
0094	LAFN75909		SPACER D.12 H.3,5	1,00			--
0095	VTVT75727		SCREW TBCE ISO 7380 8X25 ZB	1,00			--
0096	VTVT87456		GRUB SCREW UNI 5923 5X6	1,00			--
0097	VTRS00504		WASHER D. 8 ZC. UNI 6592	2,00			--
0098	VTDD00124		NUT M8 DIN985	1,00			--
0099	PMTR00088		HANDLE TRAZ.K E TK NUOVO MAN.COM	1,00			--
0100	VTVT62920		SCREW TE FR 6X16 ZB ZIGRINATE	1,00			--



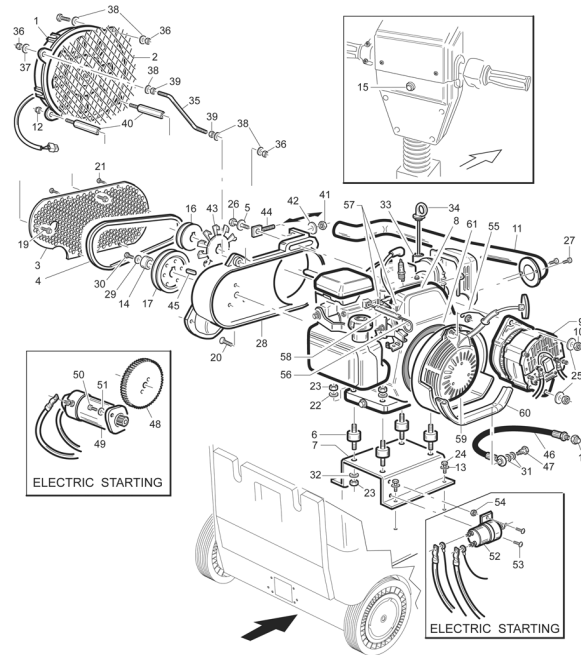
Ref. K	Part n.	Part n. 2	Description	Quantity	Validity		Price
					From	To	
0001	MPVR00541		WHEEL'S COVER D.200 NERO	2,00			--
0002	LAFN75838		BUSHING ESAGONALE CUSCIN.RUOTA	2,00			--
0003	RTRT00030		WHEEL GOMMA D.250X55 NE CERC.GR	2,00			--
0004	CUVR75815		BALL BEARING UBPFLL203	2,00			--
0005	VTVR26559		KEY UNI 6604 5X5X15	1,00			--
0006	ALTR00006		TRACTION SHAFT TK 700 H.866,2	1,00			--
0007	MOCC45111		MOTOR D.77 ALBERO LISCI0 24V	1,00			--
0008	MOCC00321		MOTOR D.77 24V	1,00			--
0009	LAFN00876		PROTECTION	1,00		30/06/2008	--
0009	LAFN00885		BRACKET	1,00	01/07/2008	30/07/2008	--
0009	LAFN00876		PROTECTION	1,00		31/07/2008	--
0010	VEVR26677		IMPELLER ALLUMINIO D.200	1,00			--
0011	LAFN00652		SUPPORT MOTORI TK ZINCATO	1,00			--
0012	LAFN48900		SUPPORT CUSC.6000 RIDUT.TRAZ.TK	1,00			--
0013	MTPL75985		PULLEY D.55 RIDUTTORE TRAZIONE	1,00			--
0014	MTCG13166		BELT Z 30 3/4	1,00			--
0015	MTPL75984		PULLEY TRAZIONE D.140	1,00			--
0016	MPVR00611		CONVEYOR ARIA VERSIONE ELETTRICA	1,00		30/06/2008	--
0016	MPVR05415		CONVEYOR -	1,00	01/07/2008		--
0017	LAFN07375		BRACKET 712 UT	1,00			--
0018	LAFN75910		SPACER FISSAG.RUOTA ANTER.H 10	2,00			--
0019	VTVT00028		SCREW TE UNI 5739 12X45 ZB	2,00			--
0020	RTRT24661		WHEEL D.100 SUPP.GIREVOLE NERA	2,00			--
0021	VTDD00491		NUT M 6 TEF	8,00			--
0022	VTVT62920		SCREW TE FR 6X16 ZB ZIGRINATE	4,00			--
0023	VTDD00491		NUT M 6 TEF	4,00			--
0024	VTRS04026		WASHER D. 6X18X2.38	4,00			--
0025	VTVR75730		KEY UNI 6606 3X3,7	1,00			--
0026	VTVT14062		SCREW TE UNI 5739 5X16 ZB A.8.8	2,00			--
0027	VTRS00291		WASHER D. 5 X20 ZC UNI 6593	2,00			--
0028	LAFN75969		PIN SOSTEGNO CINGHI D.9 H.33	1,00			--
0029	VTVT85745		SCREW TBCE ISO 7380 6X25 ZB	3,00			--
0030	CUVR86373		BEARING 6000 2RS	1,00			--
0031	VTRS00291		WASHER D. 5 X20 ZC UNI 6593	1,00			--
0032	VTVT00003		SCREW TE M 4X 12 ZC. UNI 5739	1,00			--
0033	VTVT00527		SCREW TE FR 6X10 ZB ZIG.	1,00			--
0034	VTVT00099		SCREW AUTOF.TC UNI 6954 3,9X13	1,00			--
0035	VTVT00099		SCREW AUTOF.TC UNI 6954 3,9X13	1,00			--
0036	VTVT75725		SCREW TBCE ISO 7380 6X10 ZB	2,00			--
0037	VTRS63242		WASHER UNI 6593 6X24X2 ZB	2,00			--
0038	VTAE28493		SEEGER ESTERNO DIN 471 D.28	2,00			--
0039	CUVR37341		ROLLER BEARING HFL 1426	2,00			--
0040	CUVR37344		ROLLER BEARING HK 1412	2,00			--
0041	VTAE28493		SEEGER ESTERNO DIN 471 D.28	1,00			--



Ref. K	Part n.	Part n. 2	Description	Quantity	Validity		Price
					From	To	
0042	VTVT75721		SCREW TTDE UNI 5732 6X16 ZB	4,00			--
0043	VTRS00503		WASHER D. 6 UNI 6592	4,00			--
0044	VTDD00491		NUT M 6 TEF	4,00			--
0045	VTVT86570		GRUB SCREW UNI 5927 6X10 CON PUNTA	1,00			--
0046	VTAE28493		SEEGER ESTERNO DIN 471 D.28	1,00			--
0047	VTVT75726		SCREW TBCE ISO 7380 6X16 ZB	8,00			--
0048	VTRS04026		WASHER D. 6X18X2.38	8,00			--

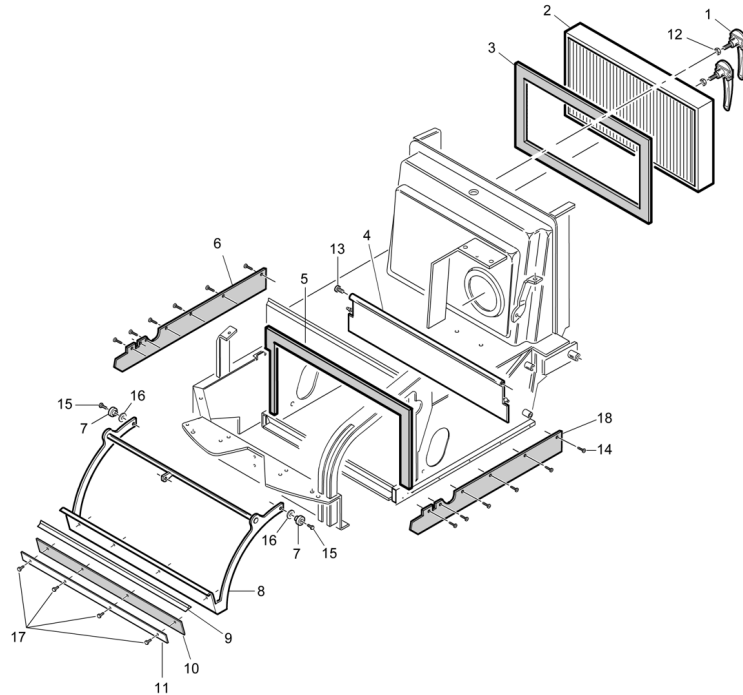


Ref. K	Part n.	Part n. 2	Description	Quantity	Validity		Price
					From	To	
0001	MOCC00283		IMPELLER VANO MOTORE	1,00			--
0002	LAFN06301		BRACKET PROTEZIONE	1,00		15/07/2008	--
0002	LAFN06947		PROTECTION -	1,00	16/07/2008		--
0003	LAFN47152		BRACKET PROTEZIONE	1,00			--
0004	MTCG00126		BELT 512-712	1,00			--
0005	VTRS00504		WASHER D. 8 ZC. UNI 6592	1,00			--
0006	ABGO00040		VIBRATION DAMP. MM30X15 M8X14+M8X30 40SH	4,00			--
0007	LAFN07368		PLATE MOTORE	1,00			--
0008	MOSC00025		ENGINE MOTOR HONDA GC135 QH-P7-SD 4HP	1,00		24/09/2014	--
0008	MOSC00032		MOTOR GC160E	1,00	25/09/2014		--
0009	ARGN00016		ALTERNATOR 28V	1,00			--
0010	VTDD00041		SELF-LOCJ.NUT M 8 UNI7473 8.8 ZNT	2,00			--
0011	LAFN07358		HOSE TESTA 512-712S	1,00			--
0012	VTDD19688		NUT M6 UNI 7473	2,00			--
0013	VTRS00504		WASHER D. 8 ZC. UNI 6592	4,00			--
0014	LAFN06695		SPACER Ø19,2-Ø36 H11,5	1,00			--
0015	MEVR85330		BUTTON -	1,00			--
0016	MTPL00195		PULLEY 512-712	1,00			--
0017	MTPL00194		PULLEY 712	1,00			--
0018	RCVR00585		CAP 3/8"	1,00			--
0019	VTVT62920		SCREW TE FR 6X16 ZB ZIGRINATE	2,00			--
0020	VTVT01547		SCREW TSCE 5X16"x5/8"x24 UNF zb	4,00			--
0021	VTVT01297		SCREW M 5X10 TCB	5,00			--
0022	VTRS00504		WASHER D. 8 ZC. UNI 6592	4,00			--
0023	VTDD00041		SELF-LOCJ.NUT M 8 UNI7473 8.8 ZNT	8,00			--
0024	VTVT01357		SCREW M8X20	4,00			--
0025	VTRS00512		WASHER D. 8 X24 ZC.	2,00			--
0026	VTVT00453		SCREW TE UNI 5739 8X60 ZB	2,00			--
0027	VTVT07945		SCREW TCB T-C 3,9X 9,5	2,00			--
0028	MFVR47154		SUPPORT MOTORINO TK1400 DP	1,00			--
0029	LAFN07355		SPACER FISSAGGIO	1,00			--
0030	VTVT01546		SCREW TE 5X16"x7/8"x24 UNF 8.8	1,00			--
0031	VTRS00548		WASHER D.17,5X23X1,5 (3/8)RM	2,00			--
0032	VTRS00512		WASHER D. 8 X24 ZC.	4,00			--
0033	LAFN07343		HOSE LIVELLO OLIO	1,00			--
0034	MPVR05311		ROD 512-712	1,00			--
0035	LAFN06476		TIE ROD ELETTROVALVOLA	1,00			--
0036	VTDD19688		NUT M6 UNI 7473	2,00			--
0037	VTRS00503		WASHER D. 6 UNI 6592	1,00			--
0038	VTRS04026		WASHER D. 6X18X2.38	3,00			--
0039	VTDD00482		NUT M 6 ZIN UNI 5588	2,00			--
0040	LAFN04172			2,00			--
0041	VTDD19688		NUT M6 UNI 7473	1,00			--
0042	VTRS04026		WASHER D. 6X18X2.38	1,00			--

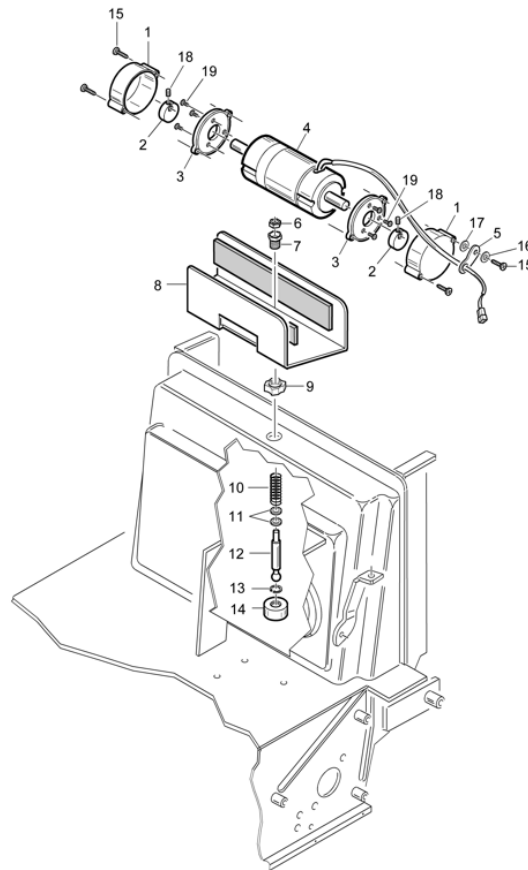


Ref. K	Part n.	Part n. 2	Description	Quantity	Validity		Price
					From	To	
0043	VEVR00014			1,00		02/03/2010	--
0043	VEVR47160		IMPELLER RAFFRED.ALTERNATORE	1,00	03/03/2010		--
0044	LAFN47168		BELT-STRETCHER ALTERNATORE TK1400	1,00			--
0045	VTVR01032		KEY Tipo B 4,76x4,76x38	1,00			--
0046	TBBP00384		TUBE SCARICO OLIO	1,00			--
0047	RCVR00714		CONNECTOR M12X1,5	1,00			--
0048	MTCR00095		BRAKE AVVIAMENTO MOTORE HONDA	1,00			--
0049	MOCC45115		MOTOR 24V 300W SX	1,00			--
0050	VTVT00066		SCREW TCCE UNI 5931 8X25 ZB	2,00			--
0051	VTRS00504		WASHER D. 8 ZC. UNI 6592	2,00			--
0052	METT45116		CONTACTOR T106P 24V 100%	1,00			--
0053	VTVT00005		SCREW TE M 5X 12 F/ROND.ZIGR	2,00			--
0054	VTDD00040		NUT M5 UNI7474	2,00		12/11/2023	--
0054	VTDD08171		NUT M 5 TEF	2,00	13/11/2023		--
0055	LAFN07601		BRACKET -	1,00	10/09/2009		--
0056	LAFN07576		LEVER -	1,00	10/09/2009	24/09/2014	--
0057	VTVT00906		GRUB SCREW M 4-4	2,00	25/09/2014		--
0058	LAFN09372		EXTENSION -	1,00	25/09/2014		--
0059	MPVR06123		CONVEYOR 512-712	1,00	25/09/2014		--
0060	GUGO00285		GASKET TK1320048	0,50	25/09/2014		--
0061	MPVR00051		MOUSSE 15X5	0,60	25/09/2014		--

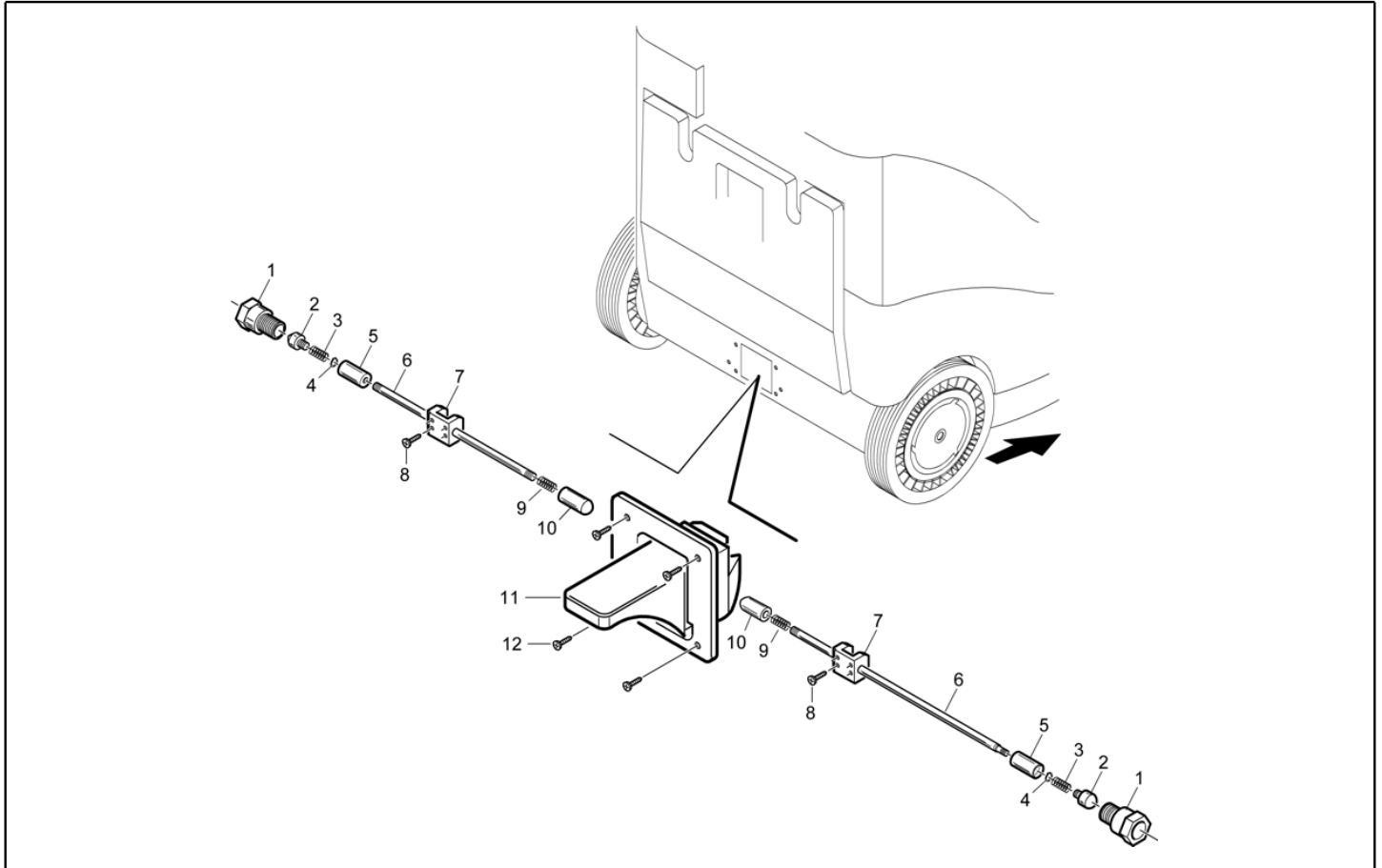
IP-CLEANING - TAV. 05-R
SILVER 512 - 712
(16.10.2007)



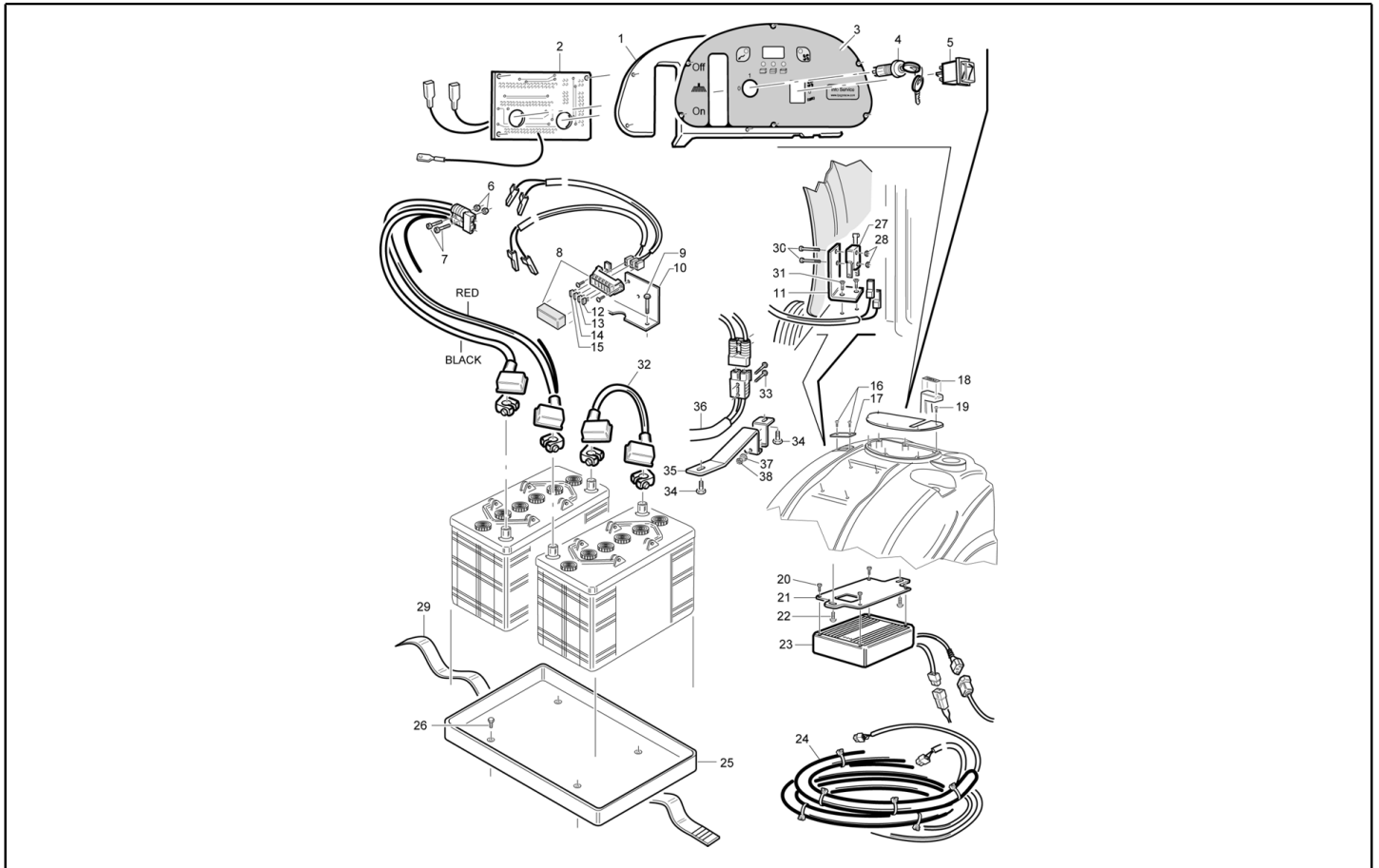
Ref. K	Part n.	Part n. 2	Description	Quantity	Validity		Price
					From	To	
0001	PMVR00383		HANDLE BLOCCAGGIO FILTRO SILVER	2,00			--
0002	FTDP85299		FILTER SW 740/741	1,00			--
0003	KTRI75931		GASKET FILTER KIT 700-705-712	1,00			--
0004	MPVR05307		FLAP 712	1,00			--
0005	KTRI00011		MOUSSE KIT ADES.30X15 CASS.ANTER.710	1,00		31/07/2008	--
0005	KTRI01820		KIT 712	1,00	01/08/2008		--
0006	MPVR05267		FLAP 512-712	1,00			--
0007	LAFN00188		BUSHING OTTONE BRAC.ALZAFL.SILVER	2,00			--
0008	LAFN07364		BALANCER 712	1,00			--
0009	MPVR00732		RUBBER ALZAFLAP SERIE 700	1,00			--
0010	MPVR48757		RUBBER ALZAFLAP 700	1,00			--
0011	LAFN00332		CLAMP GOMMA ALZAFLAP 700	1,00			--
0012	VTDD00483		NUT M 8 ZIN UNI 5588	2,00			--
0013	VTVT47025		SCREW TBCE ISO 7380 10X16 ZB	2,00			--
0014	VTVT01295		SCREW 3,5X9,5 TS80 UNI 6955 ZB	10,00			--
0015	VTVT75724		SCREW TBCE ISO 7380 8X22 ZB	2,00			--
0016	VTRS00512		WASHER D. 8 X24 ZC.	2,00			--
0017	VTVT00040		SCREW AUTOF.TC UNI6954 3,5X10SP	4,00			--
0018	MPVR05268		FLAP 512-712	1,00			--



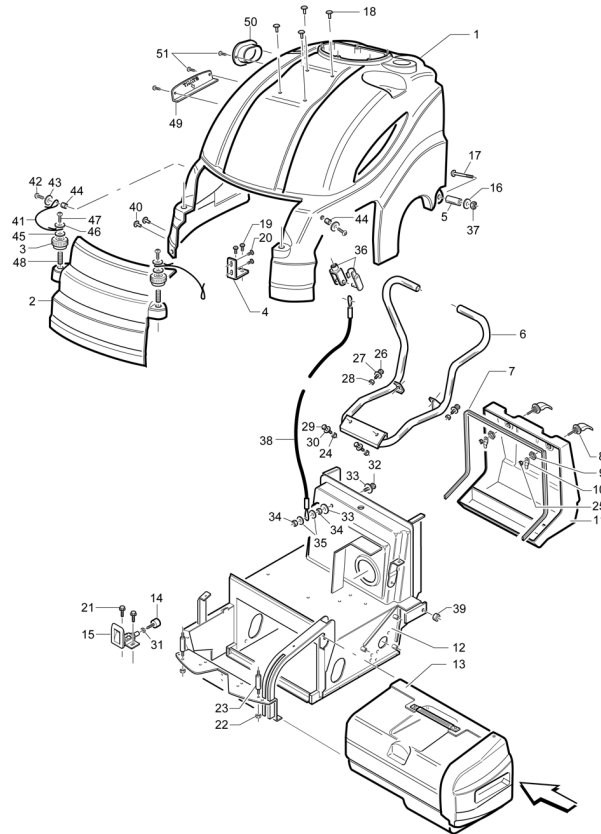
Ref. K	Part n.	Part n. 2	Description	Quantity	Validity		Price
					From	To	
0001	LAFN47139		COVER PROTEZIONE MASSE SCUOTIF.	2,00			--
0002	LAFN47140		BUSHING CONTRAPPESO PER SCUOTIFIL	2,00			--
0003	MFVR47141		FLANGE X MOTORE SCUOTIFILTRO	2,00			--
0004	MOCC00004		MOTOR D.63 24V G3800 W35	1,00			--
0005	MPVR00765		RUBBER FISSAGGIO FILO SCUOTIFIL.	1,00			--
0006	VTDD00008		NUT M10 UNI 5589 ZB	1,00			--
0007	ABGO00012		VIBRATION DAMP. PER SCUOTIFILTRO	1,00			--
0008	LAFN00676		SUPPORT MOTORE X SCUOTIF.E VERN.	1,00			--
0009	LAFN36319		RING NUT M25X1.5-10.3	1,00			--
0010	MLML85610		SPRING COMPRES.X SCUOT.ELETT.R.ZB	1,00			--
0011	GUGO19260		O-RING D. 8 X 1 NBR 70SH	2,00			--
0012	LAFN00428		PIN D.15 H.78 A SFERA SCUOT.	1,00			--
0013	VTAE00007		SEEGER INTERNO DIN 472 D.16	1,00			--
0014	LAFN00417		ARTICULATED BAR TK500/700	1,00			--
0015	VTVT47138		SCREW AUTOF.TSP UNI 6955 3,9X32	4,00			--
0016	VTRS05904		WASHER UNI 6592 4X16 ZB	1,00			--
0017	VTRS05904		WASHER UNI 6592 4X16 ZB	1,00			--
0018	VTVT75731		GRUB SCREW UNI 5923 6X5	2,00			--
0019	VTVT76616		SCREW TSCE UNI 5933 4X12 ZB	6,00			--



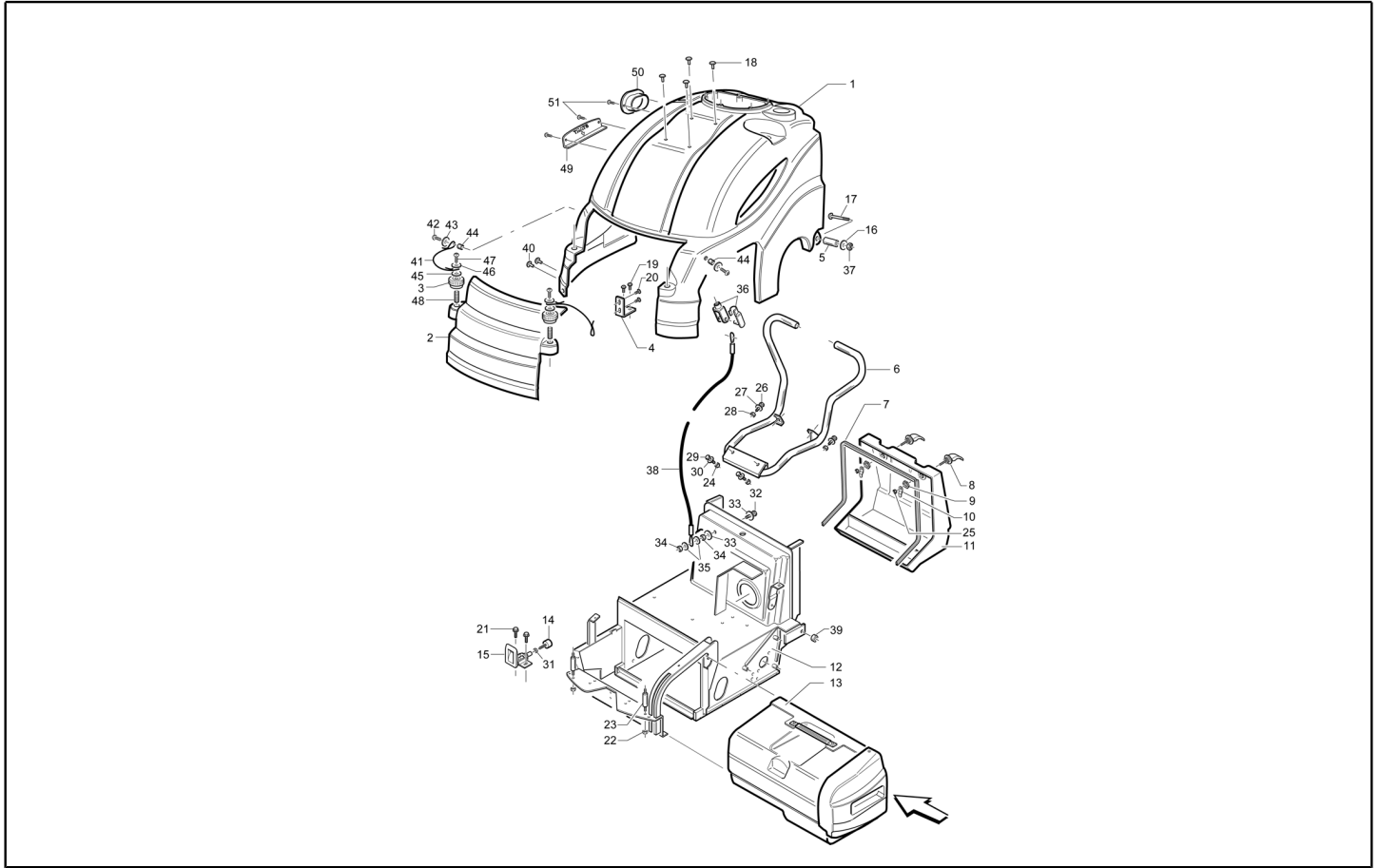
Ref. K	Part n.	Part n. 2	Description	Quantity	Validity		Price
					From	To	
0001	LAFN00335		RING NUT X PERNO GUIDA FRENO STAZ.	2,00			--
0002	LAFN00460		PIN BLOCC.RUOTA FRENO STAZ.	2,00			--
0003	MLML00012		SPRING COMPRES.X FRE.STAZ.L.23zb	2,00			--
0004	VTAE48552		CIRCLIP ESTERNO DIN 471 D.6	2,00			--
0005	LAFN00071		BUSHING PORTAMOLLA FRENO DI STAZ.	2,00			--
0006	LAFN00459		PIN INNESTO FRENO STAZION.	2,00			--
0007	LAFN00072		BLOCK GUIDA PERNO INN.FRENO	2,00			--
0008	VTVT00045		SCREW AUTOF.TC UNI 6954 4,8X16	6,00			--
0009	MLML00011		SPRING COMPRES.X FRE.STAZ.L.46zb	2,00			--
0010	LAFN00461		PIN SPINTA X FRENO STAZION.	2,00			--
0011	PMVR00160		PEDAL FRENO	1,00			--
0012	VTVT00045		SCREW AUTOF.TC UNI 6954 4,8X16	4,00			--



Ref. K	Part n.	Part n. 2	Description	Quantity	Validity		Price
					From	To	
0001	LAFN07432		BOARD 512-712 UT	1,00			--
0002	MECE00005		BOARD COMANDO 24V MOD.TK/K	1,00			--
0003	ETET01577		LABEL 512-712	1,00			--
0004	MECI75806		SWITCH A CHIAVE X MOTORI BENZINA	1,00			--
0005	MECI00034		COMMUTAT.SWITCH SCUOTIFILTRO COMPLETO	1,00			--
0006	VTDD00001		NUT UNI 5588 M3 ZB	2,00			--
0007	VTVT00021		SCREW TE UNI 5739 3X25 ZB	2,00			--
0008	MEVR00030		FUSE-HOLDER 4 VIE COPERCHIO TRAS.	1,00			--
0009	VTVT75726		SCREW TBCE ISO 7380 6X16 ZB	2,00			--
0010	LAFN06857		SUPPORT 512-712UT	1,00			--
0011	LAFN06858		SUPPORT 512-712UT	1,00			--
0012	MEVR01136		FUSE 30A	1,00			--
0013	MEVR01136		FUSE 30A	1,00			--
0014	MEVR01136		FUSE 30A	1,00			--
0015	MEVR01136		FUSE 30A	1,00			--
0016	VTVT00892		SCREW	2,00			--
0017	MPVR05254		FLANGE CARICABATTERIA	1,00			--
0018	ETET00041		LABEL PUSH 4.3X1.3	1,00			--
0019	VTVT37012		SCREW M 4X 10 TCB-TC INX	6,00			--
0020	VTVT05706		SCREW TCB-TC 4X10	4,00			--
0021	LAFN07267		BRACKET 512-712	1,00			--
0022	VTVT05706		SCREW TCB-TC 4X10	2,00			--
0023	BACA00123		BATTERY-CHARGER CBHD1 24V 10A	1,00			--
0024	MECB01045		WIRING 712	1,00			--
0025	LAFN35588		BATTERY SUPPORT LAVAP. BT SL17162-1	1,00			--
0026	VTVT00039		SCREW TC UNI 6954 3.5X10 AUTOF.	2,00			--
0027	MECI30642		MICRO-SWITCH 11A 0.33HP	2,00			--
0028	VTDD09556		NUT M3 TEFLON	2,00			--
0029	MPVR02939		BELT BATTERIA	1,00			--
0030	VTVT00018		SCREW TE UNI 5739 3X30 ZB	2,00			--
0031	VTVT00005		SCREW TE M 5X 12 F/ROND.ZIGR	2,00			--
0032	MEVR34820		WIRING BATTERY BRIDGE W/TERMINAL	1,00			--



Ref. K	Part n.	Part n. 2	Description	Quantity	Validity		Price
					From	To	
0001	MPVR05900		HOOD 712	1,00			--
0002	MPVR05899		SIDE PANEL 712	1,00			--
0003	MPVR05627		KNOB -	1,00			--
0004	LAFN07287		BRACKET 512-712	2,00			--
0005	LAFN04043		SPACER D8.5-15	2,00			--
0006	LAFN06941		HANDLE 712	1,00			--
0007	GUGO00285		GASKET TK1320048	1,00			--
0008	PMVR00138		LOCK TEK	2,00			--
0009	LAFN00259		NUT CH.24 SERRATURA TEK	2,00			--
0010	LAFN00349		LEVER SERRATURA TEK ZINCATA	2,00			--
0011	MPVR00608		DRAWER POSTERIORE SILVER 710 GRI	1,00			--
0012	LAFN07283		FRAME 712	1,00			--
0013	PMVR01414		DRAWER FRONT 712 COMPLETE	1,00			--
0014	ABGO00048		VIBRATION DAMP. -	1,00			--
0015	PMVR00141		LEVER CHIUSURA CASS.ANT.SILVER	1,00			--
0016	VTRS00512		WASHER D. 8 X24 ZC.	2,00			--
0017	VTVT01142		SCREW TTQS M8X89	2,00			--
0018	VTVT01305		SCREW M 8X 60 TTQST UNI 5731	2,00			--
0019	VTVT34115		SCREW TE M 5X 10 UNI 5739	4,00			--
0020	VTVT34115		SCREW TE M 5X 10 UNI 5739	4,00			--
0021	VTVT62920		SCREW TE FR 6X16 ZB ZIGRINATE	2,00			--
0022	VTDD00491		NUT M 6 TEF	2,00			--
0023	LAFN07271		PIN 512-712	2,00			--
0024	VTDD00483		NUT M 8 ZIN UNI 5588	4,00			--
0025	VTDD00057		NUT UNI 5589 M8 BASSO ZB	2,00			--
0026	VTVT00248		SCREW TE M&x45 UNI5739 8.8 ZNT	4,00			--
0027	VTRS04026		WASHER D. 6X18X2.38	4,00			--
0028	VTDD00491		NUT M 6 TEF	4,00			--
0029	VTVT00710			2,00			--
0030	VTRS00504		WASHER D. 8 ZC. UNI 6592	4,00			--
0031	VTDD00057		NUT UNI 5589 M8 BASSO ZB	1,00			--
0032	VTVT00448		SCREW TE 8X30 UNI5739	1,00			--
0033	VTRS00512		WASHER D. 8 X24 ZC.	2,00			--
0034	VTDD00041		SELF-LOCJ.NUT M 8 UNI7473 8.8 ZNT	2,00			--
0035	VTRS00512		WASHER D. 8 X24 ZC.	2,00			--
0036	CMCV00001		FORK UNI 1676 M8X16	1,00			--
0036	CMCV75718		CLIP UNI 1676 M8x16	1,00			--
0037	VTDD00041		SELF-LOCJ.NUT M 8 UNI7473 8.8 ZNT	2,00			--
0038	CMCV00430		CABLE 512-712	1,00			--
0039	LAFN00053		SPACER VENTOLA SU RIDUTT.D.20X11	2,00	06/11/2008		--
0040	RCVR00173			6,00	12/11/2008		--
0041	CMCV00442		CABLE -	2,00	01/04/2009		--
0042	VTVT00892		SCREW	2,00	01/04/2009		--
0043	VTRS15958		WASHER UNI 6592 5X15X1,5 ZB	2,00	01/04/2009		--



Ref. K	Part n.	Part n. 2	Description	Quantity	Validity		Price
					From	To	
0044	LAFN03840		BUSHING	2,00	01/04/2009		--
0045	VTRS86980		WASHER D. 6X18 UNI6593	2,00	01/04/2009		--
0046	VTRS86980		WASHER D. 6X18 UNI6593	2,00	01/04/2009		--
0047	VTVT09916		SCREW TBCE ISO 7380 6X20 ZB	2,00			--
0048	VTVT20261		SCREW EI-ST 6X20 UNI5923	2,00	01/04/2009		--
0049	LAFN07577		SLIDE -	1,00	10/09/2009		--
0050	MPVR05565		FRAME -	1,00	10/09/2009		--
0051	VTVT29165		SCREW AF TCB-TC 5 X20 TL	4,00	10/09/2009		--