



IPC

Spare parts list

Ref: ASDO12939

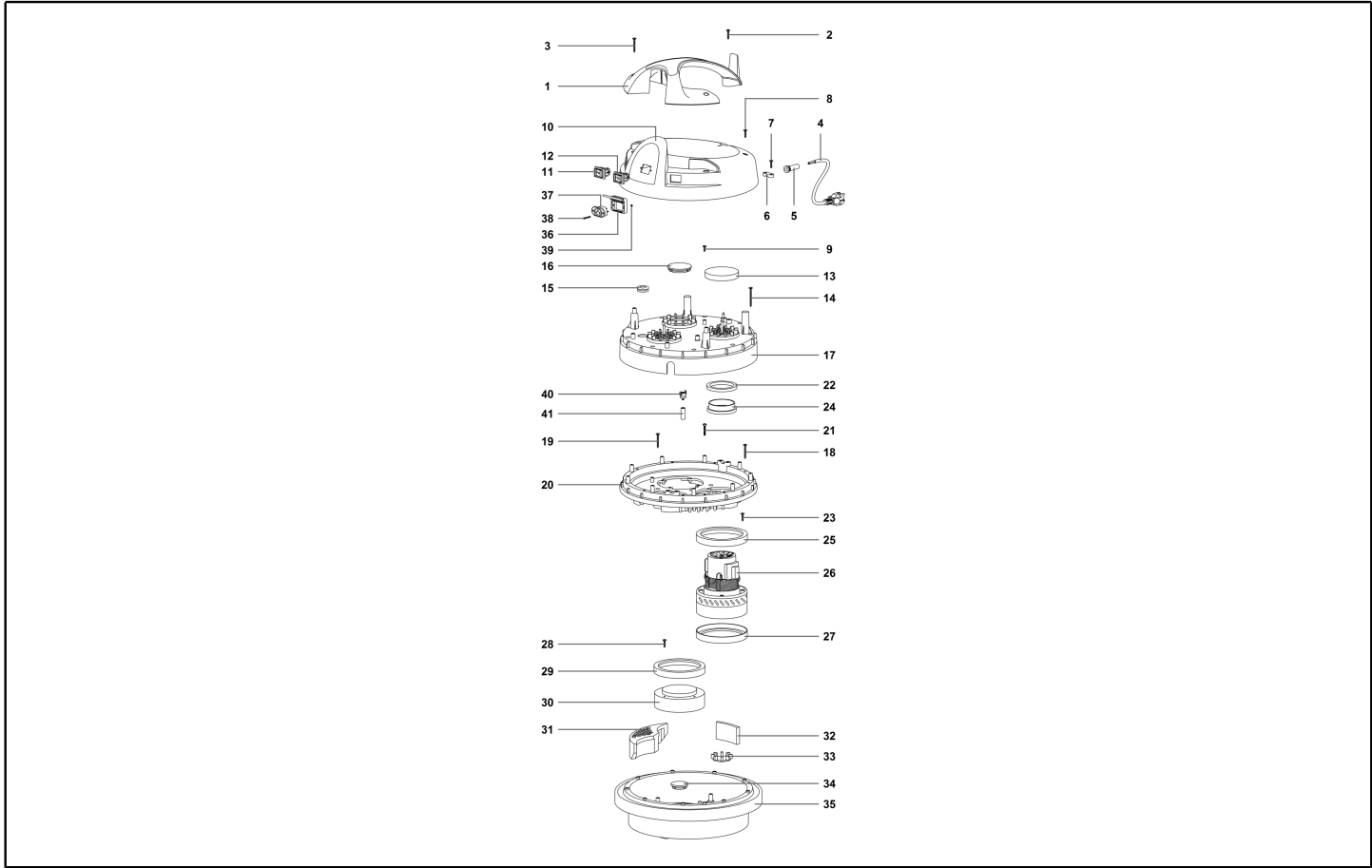
Model: EXTRACTOR GS2/62EXTGAR GAMMA650 NE/



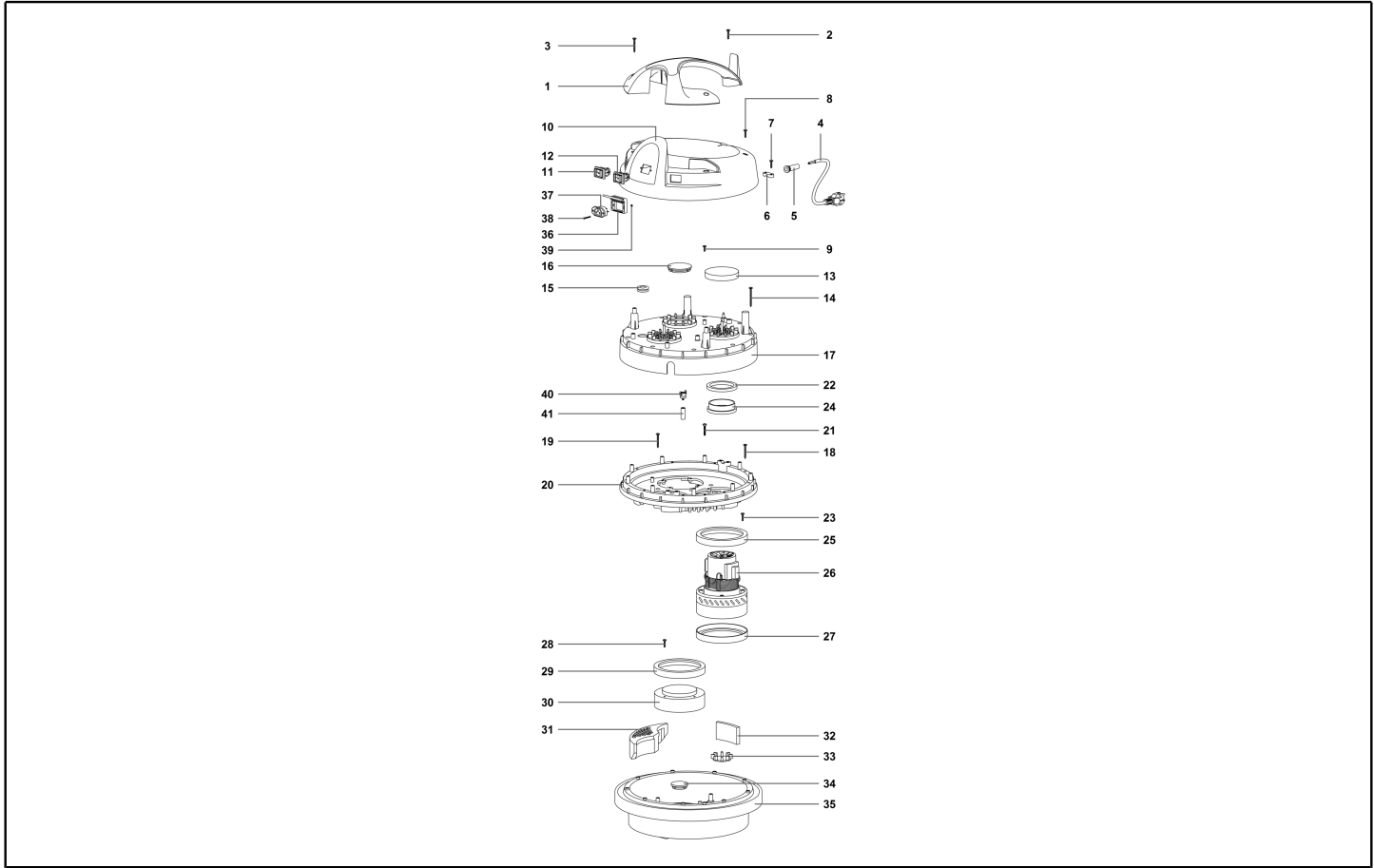
IPC Integrated Professional Cleaning

IPC Soteco

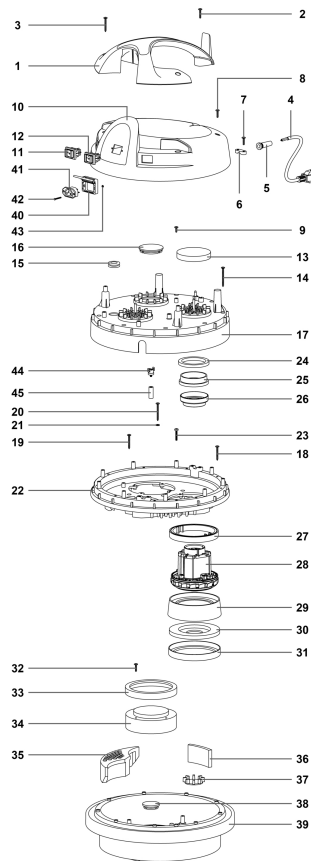
| Ref. K | Part n. | Part n. 2 | Description | Quantity | Validity | | Price |
|--------|-----------|-----------|-----------------------------------------|----------|------------|------------|-------|
| | | | | | From | To | |
| 0001 | PMTA08425 | | HEAD GAMMA 650 RAD W/P GRE/BL | 1,00 | | 22/11/2023 | -- |
| 0001 | PMTA09570 | | HEAD GAMMA 650 RAD W/P GRE/BL | 1,00 | 23/11/2023 | | -- |
| 0002 | KTRI72229 | | COMPL.FILTRATION KIT 400 | 1,00 | | | -- |
| 0003 | LAFN87146 | | CLEAR WATER TANK COMPL. GARAGE | 1,00 | | | -- |
| 0004 | KTRI40132 | | DRAIN DEVICE D.34 COMP MARK | 1,00 | | | -- |
| 0005 | PMFU02543 | | DRUM GENIUS A304 NE/VEI COMPL | 1,00 | | | -- |
| 0006 | CARR01429 | | TROLLEY BASE MARKET FOR SPACER | 1,00 | | | -- |
| 0007 | PMDT01067 | | ACCESSORY KIT 38 ESTR W-D I/INT+"TYPE3" | 1,00 | 03/02/2023 | | -- |



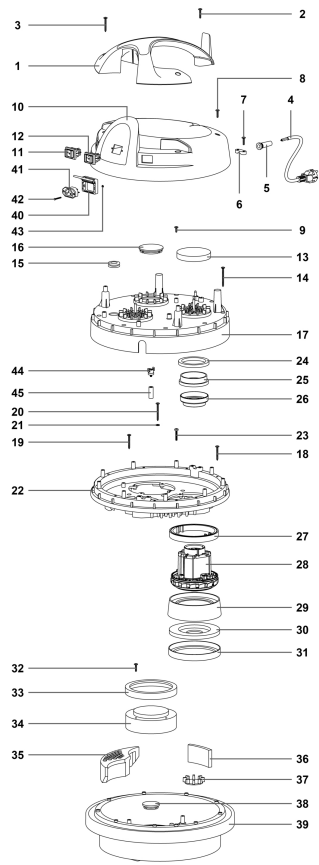
| Ref. K | Part n. | Part n. 2 | Description | Quantity | Validity | | Price |
|--------|-----------|-----------|------------------------------------|----------|------------|------------|-------|
| | | | | | From | To | |
| * | PMQE00294 | | ELECTRIC KIT EXTR.600 TP PUMP ULKA | 1,00 | | | -- |
| * | MECB01826 | | WIRING 50CM MOTORE POKE-IN-TP | 2,00 | | | -- |
| * | FSVR00127 | | CLAMP | 16,00 | | | -- |
| * | PEL00077 | | PUMP GROUP FLASH | 1,00 | | | -- |
| 0001 | MPVR08307 | | HANDLE TOPPER 600 GREEN IPC | 1,00 | | | -- |
| 0002 | VTVT72207 | | SCREW PAT TMT PHL 5X25 BLACK | 1,00 | | | -- |
| 0003 | VTVT72106 | | SCREW PAT TMT PHL 5X40 BLACK | 2,00 | | | -- |
| 0004 | MECB28740 | | ELECTRIC CORD 3X1,5 MT 8,5 | 1,00 | | | -- |
| 0005 | MEVR28673 | | FAIRLEAD | 1,00 | | | -- |
| 0006 | MPVR28690 | | CABLE CLAMP | 1,00 | | | -- |
| 0007 | VTVT71961 | | SCREW PFU TMT PHL 5X20 ZN NERA | 1,00 | | | -- |
| 0008 | VTVT72207 | | SCREW PAT TMT PHL 5X25 BLACK | 2,00 | | | -- |
| 0009 | VTVT71960 | | SCREW PAT TMT PHL 5X14 ZN | 2,00 | | | -- |
| 0010 | PMVR06243 | | COVER TOPPER 600 NE 3INT/PS | 1,00 | 16/05/2023 | | -- |
| 0011 | MECI28744 | | ANTISPLASH RED LIGHT SWITCHER | 2,00 | | | -- |
| 0012 | MECI72268 | | ANTISPLASH GREEN LIGHT SWITCH | 1,00 | | | -- |
| 0013 | FTDP38064 | | FILTER MTP/65 H=15 D.95 | 2,00 | | | -- |
| 0014 | VTVT40007 | | SCREW PAT TMT PHL 5X55 BLACK | 9,00 | | | -- |
| 0015 | MEVR72017 | | GUIDING SLIT FOR QUICK COUPLING | 1,00 | | | -- |
| 0016 | MPVR38053 | | COVERING CAP | 1,00 | | | -- |
| 0017 | PMVR05606 | | COVERING STORM IPC GREEN | 1,00 | | | -- |
| 0018 | VTVT72106 | | SCREW PAT TMT PHL 5X40 BLACK | 9,00 | | | -- |
| 0019 | VTVT72106 | | SCREW PAT TMT PHL 5X40 BLACK | 3,00 | | | -- |
| 0020 | MPVR89502 | | MOTOR-FASTENER NEV.600 BLACK | 1,00 | | | -- |
| 0021 | VTVT01181 | | SCREW TC CROSS M 5X30 UNI 7687 | 1,00 | | | -- |
| 0022 | MPVR38371 | | WASHER H8 D85X65 | 2,00 | | | -- |
| 0023 | VTVT71961 | | SCREW PFU TMT PHL 5X20 ZN NERA | 8,00 | | | -- |
| 0024 | MPVR86282 | | RING MOTORE H=7 (15) PLAST. | 2,00 | | | -- |
| 0025 | GUGO28683 | | "L" GASKET W/O HOLES H=5,5 | 2,00 | | | -- |
| 0026 | MOMO00354 | | MOTOR BD302 1000W 220-240 50/60 | 2,00 | | 15/05/2023 | -- |
| 0026 | MOMO28716 | | MOT.BD302 1000W 220-240V 50-60HZ | 2,00 | 16/05/2023 | | -- |
| 0027 | GUGO28683 | | "L" GASKET W/O HOLES H=5,5 | 2,00 | | | -- |
| 0028 | VTVT71961 | | SCREW PFU TMT PHL 5X20 ZN NERA | 4,00 | | | -- |
| 0029 | GUGO28683 | | "L" GASKET W/O HOLES H=5,5 | 1,00 | | | -- |
| 0030 | MPVR07346 | | FAKE MOTOR | 1,00 | | | -- |
| 0031 | FTDP38057 | | ANTINOISE TRIANGLE H=51 | 3,00 | | 15/05/2023 | -- |
| 0031 | FTDP00891 | | FILTER FONO TRIANGOLARE H=53 | 3,00 | 16/05/2023 | | -- |
| 0032 | FTDP28745 | | GASKET MTP/30 AU-AD 50X10X85 | 3,00 | | | -- |
| 0033 | MPVR28748 | | AUTOMATIC VALVE | 2,00 | | | -- |
| 0034 | MPVR38058 | | BASE CAP | 1,00 | | | -- |
| 0035 | MPVR38059 | | BASE 600/400 W/STAT.PLATE BLACK | 1,00 | | | -- |
| 0036 | MEVR29329 | | ADD.SOCKET PROTECTION | 1,00 | | | -- |
| 0037 | MEVR29330 | | SCREWED ADDITIONAL SOCKET | 1,00 | | | -- |
| 0038 | VTVT01029 | | SCREW TSP M 3X25 UNI 610 | 2,00 | | 15/05/2023 | -- |



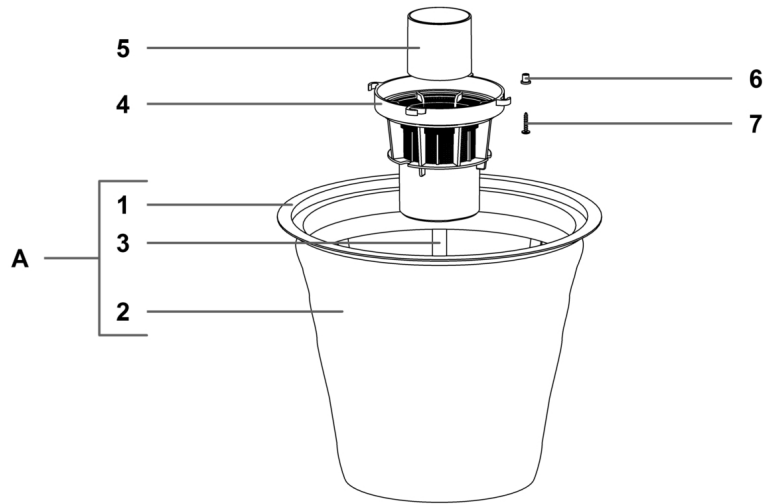
| Ref. K | Part n. | Part n. 2 | Description | Quantity | Validity | | Price |
|--------|-----------|-----------|---------------------------------|----------|------------|------------|-------|
| | | | | | From | To | |
| 0038 | VTVT01091 | | SCREW TSP W/ACC. M 3X16 UNI6109 | 2,00 | 16/05/2023 | | -- |
| 0039 | VTDD00227 | | NUT M 3 UNI 5588 | 2,00 | | 15/05/2023 | -- |
| 0039 | MPVR12331 | | SPACER PLASTIC D.10 D.6.3X20 | 2,00 | 16/05/2023 | | -- |
| 0040 | METK41830 | | THERMOREGULATOR T MAX 85 C | 1,00 | | | -- |
| 0041 | MEVR41831 | | THERM. PROBE | 1,00 | | | -- |



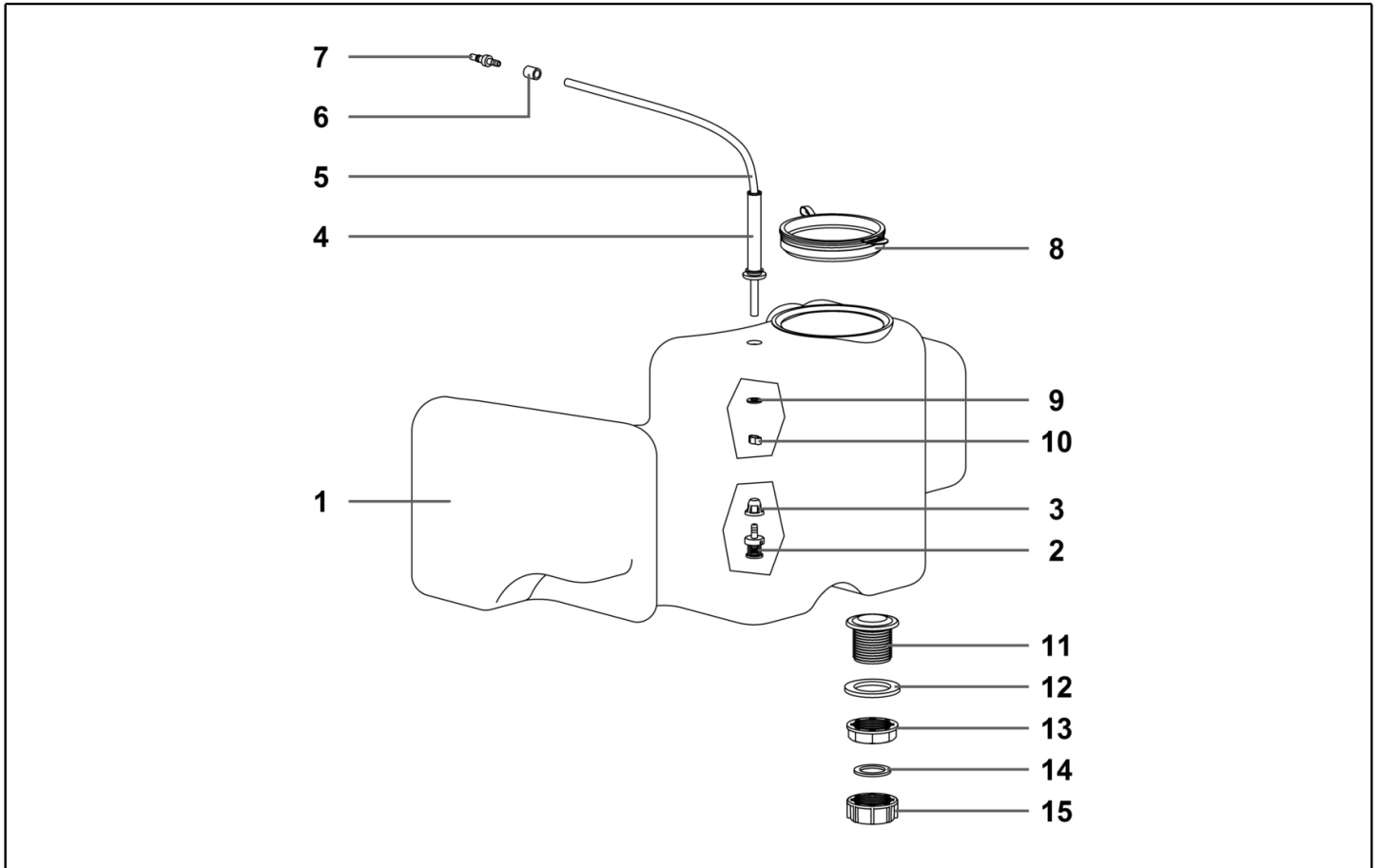
| Ref. K | Part n. | Part n. 2 | Description | Quantity | Validity | | Price |
|--------|-----------|-----------|------------------------------------|----------|----------|----|-------|
| | | | | | From | To | |
| * | PMQE00294 | | ELECTRIC KIT EXTR.600 TP PUMP ULKA | 1,00 | | | -- |
| * | MECB02382 | | MOTOR WIRING 55CM TP DOMEL | 2,00 | | | -- |
| * | FSVR00127 | | CLAMP | 16,00 | | | -- |
| * | PEL00077 | | PUMP GROUP FLASH | 1,00 | | | -- |
| 0001 | MPVR08307 | | HANDLE TOPPER 600 GREEN IPC | 1,00 | | | -- |
| 0002 | VTVT72207 | | SCREW PAT TMT PHL 5X25 BLACK | 1,00 | | | -- |
| 0003 | VTVT72106 | | SCREW PAT TMT PHL 5X40 BLACK | 2,00 | | | -- |
| 0004 | MECB28740 | | ELECTRIC CORD 3X1,5 MT 8,5 | 1,00 | | | -- |
| 0005 | MEVR28673 | | FAIRLEAD | 1,00 | | | -- |
| 0006 | MPVR28690 | | CABLE CLAMP | 1,00 | | | -- |
| 0007 | VTVT71961 | | SCREW PFU TMT PHL 5X20 ZN NERA | 1,00 | | | -- |
| 0008 | VTVT72207 | | SCREW PAT TMT PHL 5X25 BLACK | 2,00 | | | -- |
| 0009 | VTVT71960 | | SCREW PAT TMT PHL 5X14 ZN | 2,00 | | | -- |
| 0010 | PMVR06243 | | COVER TOPPER 600 NE 3INT/PS | 1,00 | | | -- |
| 0011 | MECI28744 | | ANTISPLASH RED LIGHT SWITCHER | 2,00 | | | -- |
| 0012 | MECI72268 | | ANTISPLASH GREEN LIGHT SWITCH | 1,00 | | | -- |
| 0013 | FTDP38064 | | FILTER MTP/65 H=15 D.95 | 2,00 | | | -- |
| 0014 | VTVT40007 | | SCREW PAT TMT PHL 5X55 BLACK | 9,00 | | | -- |
| 0015 | MEVR72017 | | GUIDING SLIT FOR QUICK COUPLING | 1,00 | | | -- |
| 0016 | MPVR38053 | | COVERING CAP | 1,00 | | | -- |
| 0017 | PMVR05606 | | COVERING STORM IPC GREEN | 1,00 | | | -- |
| 0018 | VTVT72106 | | SCREW PAT TMT PHL 5X40 BLACK | 9,00 | | | -- |
| 0019 | VTVT72106 | | SCREW PAT TMT PHL 5X40 BLACK | 3,00 | | | -- |
| 0020 | VTVT32295 | | SCREW PAT TMT PHL 5X50 | 1,00 | | | -- |
| 0021 | GUGO88484 | | RUBBER GASKET D.10X4.5X1.5 | 1,00 | | | -- |
| 0022 | MPVR08329 | | MOTOR SUPPORT HS 600 BLACK | 1,00 | | | -- |
| 0023 | VTVT01181 | | SCREW TC CROSS M 5X30 UNI 7687 | 1,00 | | | -- |
| 0024 | MPVR38371 | | WASHER H8 D85X65 | 2,00 | | | -- |
| 0025 | MPVR86282 | | RING MOTORE H=7 (15) PLAST. | 2,00 | | | -- |
| 0026 | MPVR13516 | | RING MOTORE H=26 DOMEL | 2,00 | | | -- |
| 0027 | GUVR00630 | | "C" GASKET D.130 | 2,00 | | | -- |
| 0028 | MOMO01030 | | MOTOR BS2D 1000W 220-240V 50/60 | 2,00 | | | -- |
| 0029 | MPVR13574 | | GASKET MOT "L" 135 H32 GOMMA TE | 2,00 | | | -- |
| 0030 | MPVR89143 | | OUTDISTANCED SINGLE-STAGE H=13MM | 2,00 | | | -- |
| 0031 | GUGO28683 | | "L" GASKET W/O HOLES H=5,5 | 2,00 | | | -- |
| 0032 | VTVT71961 | | SCREW PFU TMT PHL 5X20 ZN NERA | 4,00 | | | -- |
| 0033 | GUGO28683 | | "L" GASKET W/O HOLES H=5,5 | 1,00 | | | -- |
| 0034 | MPVR07346 | | FAKE MOTOR | 1,00 | | | -- |
| 0035 | FTDP00891 | | FILTER FONO TRIANGOLARE H=53 | 3,00 | | | -- |
| 0036 | FTDP28745 | | GASKET MTP/30 AU-AD 50X10X85 | 3,00 | | | -- |
| 0037 | MPVR28748 | | AUTOMATIC VALVE | 2,00 | | | -- |
| 0038 | MPVR38058 | | BASE CAP | 1,00 | | | -- |
| 0039 | MPVR38059 | | BASE 600/400 W/STAT.PLATE BLACK | 1,00 | | | -- |
| 0040 | MEVR29329 | | ADD.SOCKET PROTECTION | 1,00 | | | -- |



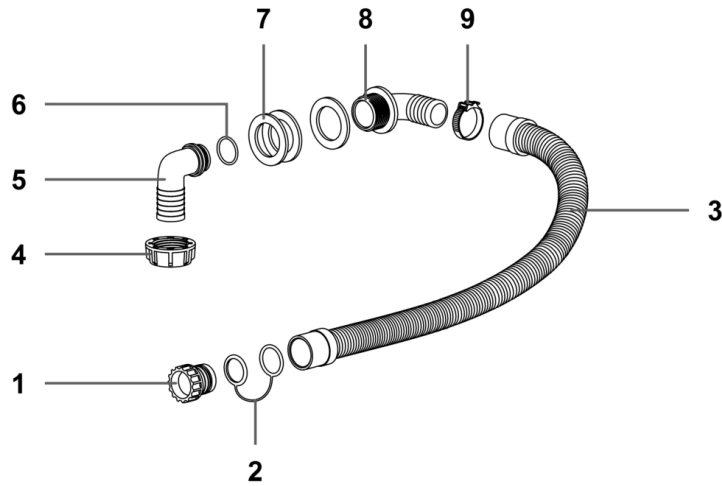
| Ref. K | Part n. | Part n. 2 | Description | Quantity | Validity | | Price |
|--------|-----------|-----------|---------------------------------|----------|----------|----|-------|
| | | | | | From | To | |
| 0041 | MEVR29330 | | SCREWED ADDITIONAL SOCKET | 1,00 | | | -- |
| 0042 | VTVT01091 | | SCREW TSP W/ACC. M 3X16 UNI6109 | 2,00 | | | -- |
| 0043 | MPVR12331 | | SPACER PLASTIC D.10 D.6,3X20 | 2,00 | | | -- |
| 0044 | METK41830 | | THERMOREGULATOR T MAX 85 C | 1,00 | | | -- |
| 0045 | MEVR41831 | | THERM. PROBE | 1,00 | | | -- |



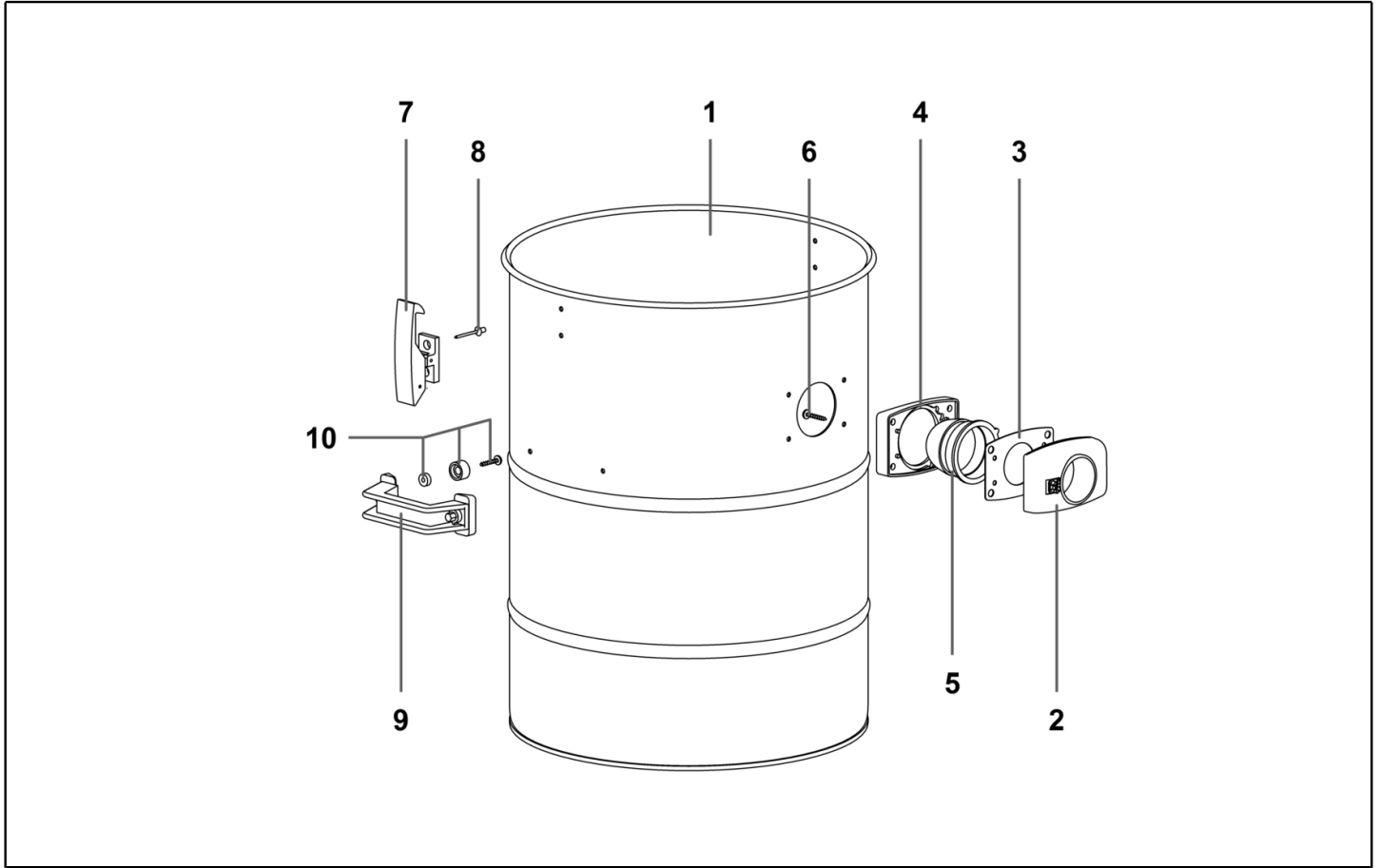
| Ref. K | Part n. | Part n. 2 | Description | Quantity | Validity | | Price |
|--------|-----------|-----------|----------------------------------|----------|----------|----|-------|
| | | | | | From | To | |
| A | FTDP28733 | | KIT RING+FILT+BASK.400 CONIC.SAN | 1,00 | | | -- |
| 0001 | MPVR35807 | | FILTER RING 400 | 1,00 | | | -- |
| 0002 | FTDP00523 | | FILTER POLY AN4-600 CON REG H320 | 1,00 | | | -- |
| 0003 | MPVR09199 | | CONICAL BASKET 400 | 1,00 | | | -- |
| 0004 | MPVR40521 | | NET ANTIFOAM BODY HIGH | 1,00 | | | -- |
| 0005 | RCGR40008 | | HIGH FLOAT 99 W/GASKET 37 SHA | 1,00 | | | -- |
| 0006 | MPVR35796 | | BUSHING PLASTIC SLEEVE D.8 | 4,00 | | | -- |
| 0007 | VTVT36751 | | SCREW SCREW PAT TMT PHL 5X25 | 4,00 | | | -- |



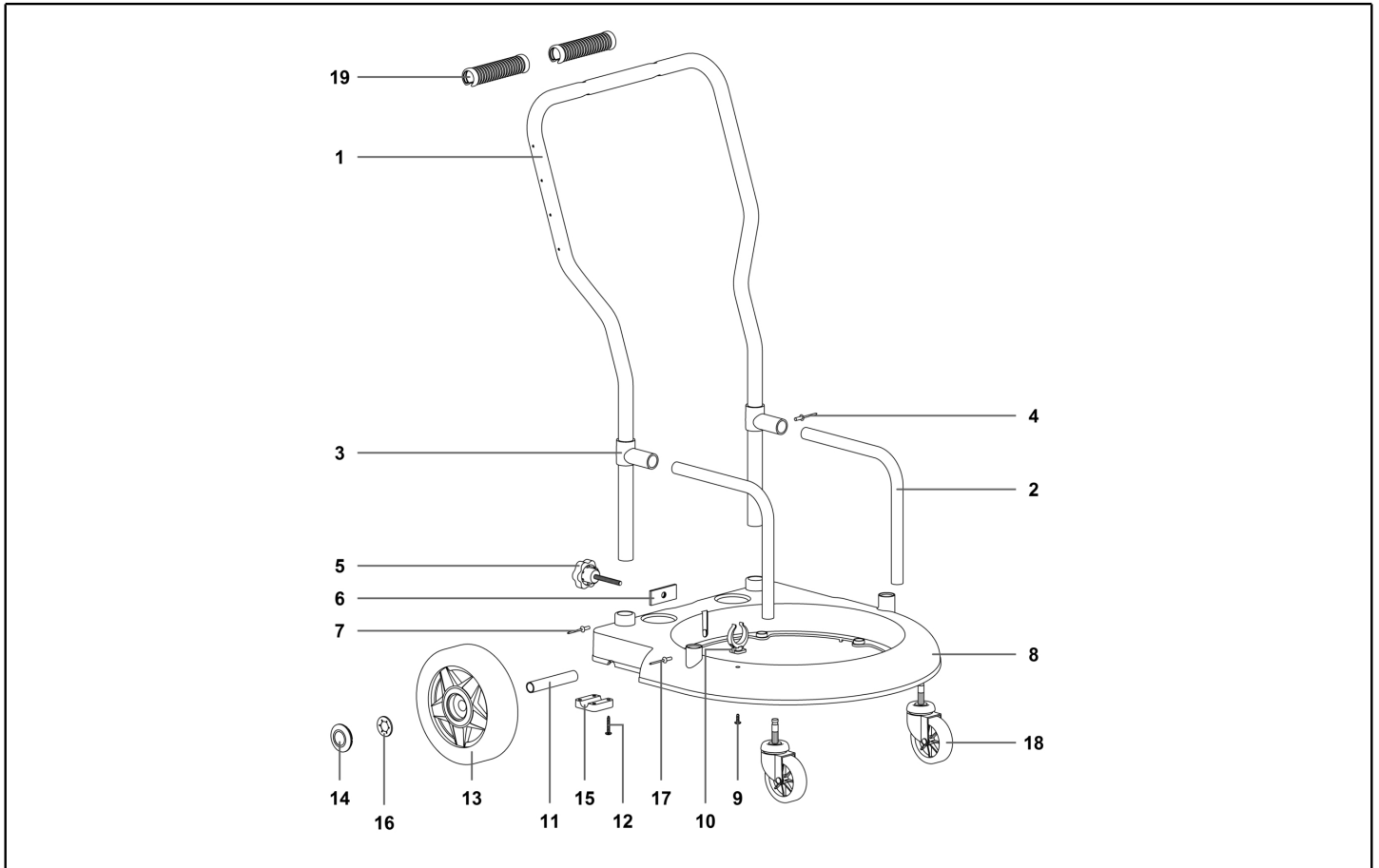
| Ref. K | Part n. | Part n. 2 | Description | Quantity | Validity | | Price |
|--------|-----------|-----------|-------------------------------|----------|----------|----|-------|
| | | | | | From | To | |
| 0001 | MPVR06185 | | CL.WATER DRUM | 1,00 | | | -- |
| 0002 | FTDT72115 | | COMPLETE DIP FILTER | 1,00 | | | -- |
| 0003 | RCDS72165 | | DIP LOCKING FILTER | 1,00 | | | -- |
| 0004 | MEVR02216 | | FAIR-LEAD LONG | 1,00 | | | -- |
| 0005 | TBBP72261 | | HYDROLITIC HOSE 8x5 PER METER | 1,10 | | | -- |
| 0006 | FSVR38348 | | CLAMP PLAST.CLIP D.8 | 1,00 | | | -- |
| 0007 | RCIN38912 | | BRASS QUICK COUPLING P.G5,2 | 1,00 | | | -- |
| 0008 | MPVR87032 | | TANK CAP | 1,00 | | | -- |
| 0009 | VTRS13947 | | WASHER D. 8 INX UNI 6592 | 1,00 | | | -- |
| 0010 | FSVR72112 | | STRICK CLIP 7-9 | 1,00 | | | -- |
| 0011 | MPVR40140 | | FILLING PIPE 1-1/4" | 1,00 | | | -- |
| 0012 | GUGO41219 | | GASKET 60X40X4 | 1,00 | | | -- |
| 0013 | MPVR41218 | | RING 1-1/4" | 1,00 | | | -- |
| 0014 | GUVR40018 | | CAP GASKET | 1,00 | | | -- |
| 0015 | RCVR40015 | | CAP 1-1/4" | 1,00 | | | -- |



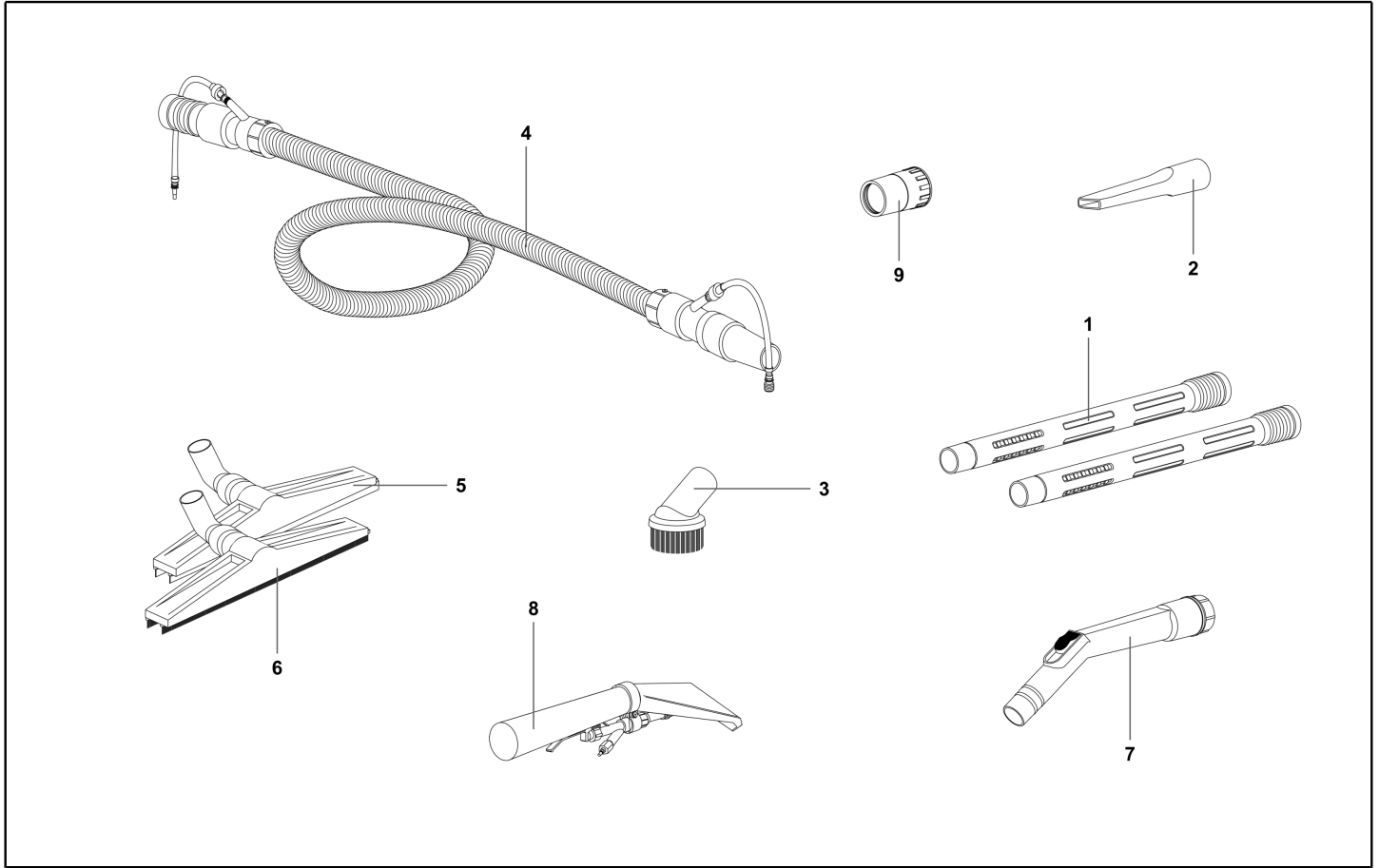
| Ref. K | Part n. | Part n. 2 | Description | Quantity | Validity | | Price |
|--------|-----------|-----------|-------------------------------------|----------|----------|----|-------|
| | | | | | From | To | |
| 0001 | MPVR10436 | | PLASTIC TOP D.40 X 35 C/OR COMPL. | 1,00 | | | -- |
| 0002 | MPVR41222 | | TIE ROD CAP | 1,00 | | | -- |
| 0003 | TBFX41220 | | DRAIN TUBE D.34 L=600 | 1,00 | | | -- |
| 0004 | RCVR00341 | | CONNECTION 1-1/4" | 1,00 | | | -- |
| 0005 | RCVR00756 | | CONNECTOR - | 1,00 | | | -- |
| 0006 | GUGO00345 | | O-RING 28 X 2,5 NBR | 1,00 | | | -- |
| 0007 | GUGO41219 | | GASKET 60X40X4 | 3,00 | | | -- |
| 0008 | RCVR41224 | | RUBBER HOLDER UNION CURVED 90°1-1/4 | 1,00 | | | -- |
| 0009 | FSVR00074 | | CLIP 300X9 | 1,00 | | | -- |



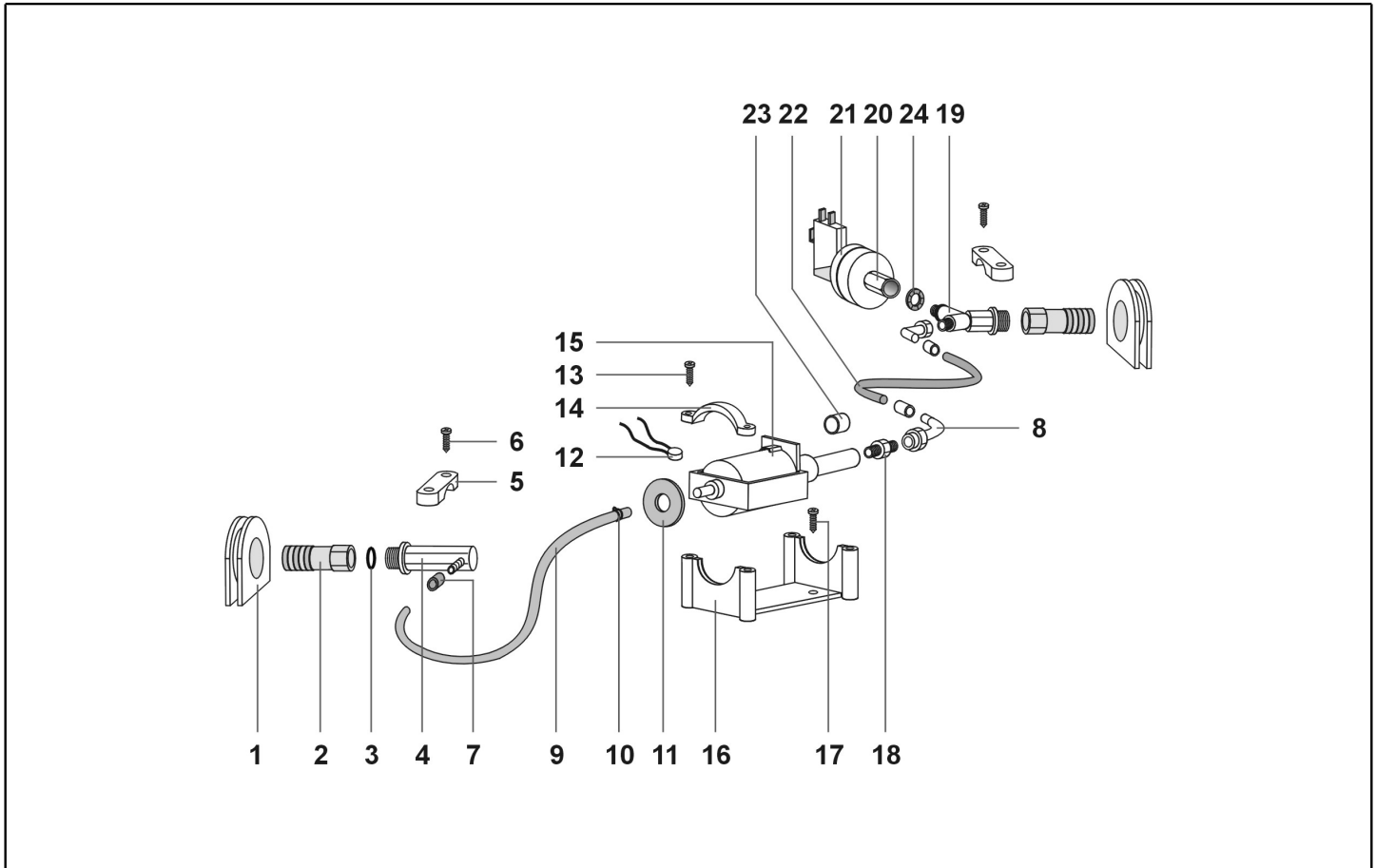
| Ref. K | Part n. | Part n. 2 | Description | Quantity | Validity | | Price |
|--------|-----------|-----------|------------------------------------|----------|----------|----|-------|
| | | | | | From | To | |
| 0001 | LAFN06533 | | TANK GARAGE/CALIFORN. AISI 304 | 1,00 | | | -- |
| 0002 | MPVR09047 | | PIPE UNION R155 BLACK C/PUL.GR-IPC | 1,00 | | | -- |
| 0003 | GUGO28701 | | GASKET D.38 | 1,00 | | | -- |
| 0004 | GUGO28736 | | GASKET R 205 BLACK | 1,00 | | | -- |
| 0005 | MPVR28696 | | DEFLECTOR 99 | 1,00 | | | -- |
| 0006 | VTVT71966 | | SCREW PAT TMT PHL 5X30 BLACK | 4,00 | | | -- |
| 0007 | CHVR28735 | | COMPLETE PLASTIC HOOK BLACK | 2,00 | | | -- |
| 0008 | VTVR71991 | | RIVET 5X11 | 4,00 | | | -- |
| 0009 | MPVR28737 | | BLACK HANDLE | 2,00 | | | -- |
| 0010 | RIGE00015 | | COMPLETE SEAL W/SCREW L=25 | 4,00 | | | -- |



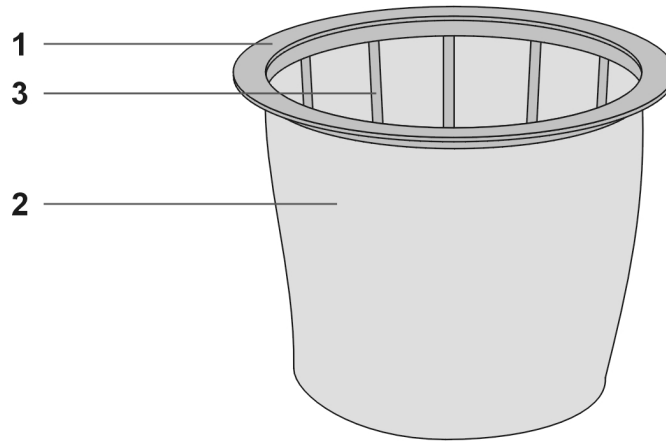
| Ref. K | Part n. | Part n. 2 | Description | Quantity | Validity | | Price |
|--------|-----------|-----------|------------------------------|----------|------------|------------|-------|
| | | | | | From | To | |
| 0001 | LAFN09734 | | HANDLE MARKET 400 BLACK | 1,00 | | | -- |
| 0002 | MPVR02240 | | VARNISHED SUPPORT TUBE | 2,00 | | | -- |
| 0003 | LAFN03247 | | HOSE T ST.MKT | 2,00 | | | -- |
| 0004 | VTVR00396 | | RIVET 4,8X17 BLACK | 2,00 | | | -- |
| 0005 | VTVR00162 | | HAND-WHEEL M 8X60 | 1,00 | | | -- |
| 0006 | LAFN06613 | | PLATE LOCKING THREADED | 1,00 | | | -- |
| 0007 | VTVR00396 | | RIVET 4,8X17 BLACK | 2,00 | | | -- |
| 0008 | MPVR08479 | | TROLLEY BODY 400 MARKET B | 1,00 | | | -- |
| 0009 | VTVT71960 | | SCREW PAT TMT PHL 5X14 ZN | 1,00 | | | -- |
| 0010 | F5VR41221 | | LIRA CLAMP D.34 | 1,00 | | | -- |
| 0011 | LAFN09549 | | WHEEL PIN D.18X105 SP.1.5 ZN | 2,00 | | | -- |
| 0012 | VTVT71966 | | SCREW PAT TMT PHL 5X30 BLACK | 8,00 | | | -- |
| 0013 | RTRT85069 | | REAR WHEEL D.200 | 2,00 | | | -- |
| 0014 | MPVR85070 | | WHEEL CAP D.200/250 BLACK | 2,00 | | | -- |
| 0015 | MPVR28774 | | LOCK PIVOT BRACKET | 2,00 | | | -- |
| 0016 | MPVR86321 | | BLOC. D.18 | 2,00 | | | -- |
| 0017 | VTVR00396 | | RIVET 4,8X17 BLACK | 2,00 | | | -- |
| 0018 | RTRT40020 | | FRONT WHEEL D.80 W/PIVOT | 2,00 | | | -- |
| 0019 | MPVR02288 | | GRIP PLAST.CARRELLO GR.5000 | 2,00 | | 11/05/2022 | -- |
| 0019 | MPVR10119 | | GRIP PLAST.CARRELLO NERO | 2,00 | 12/05/2022 | | -- |



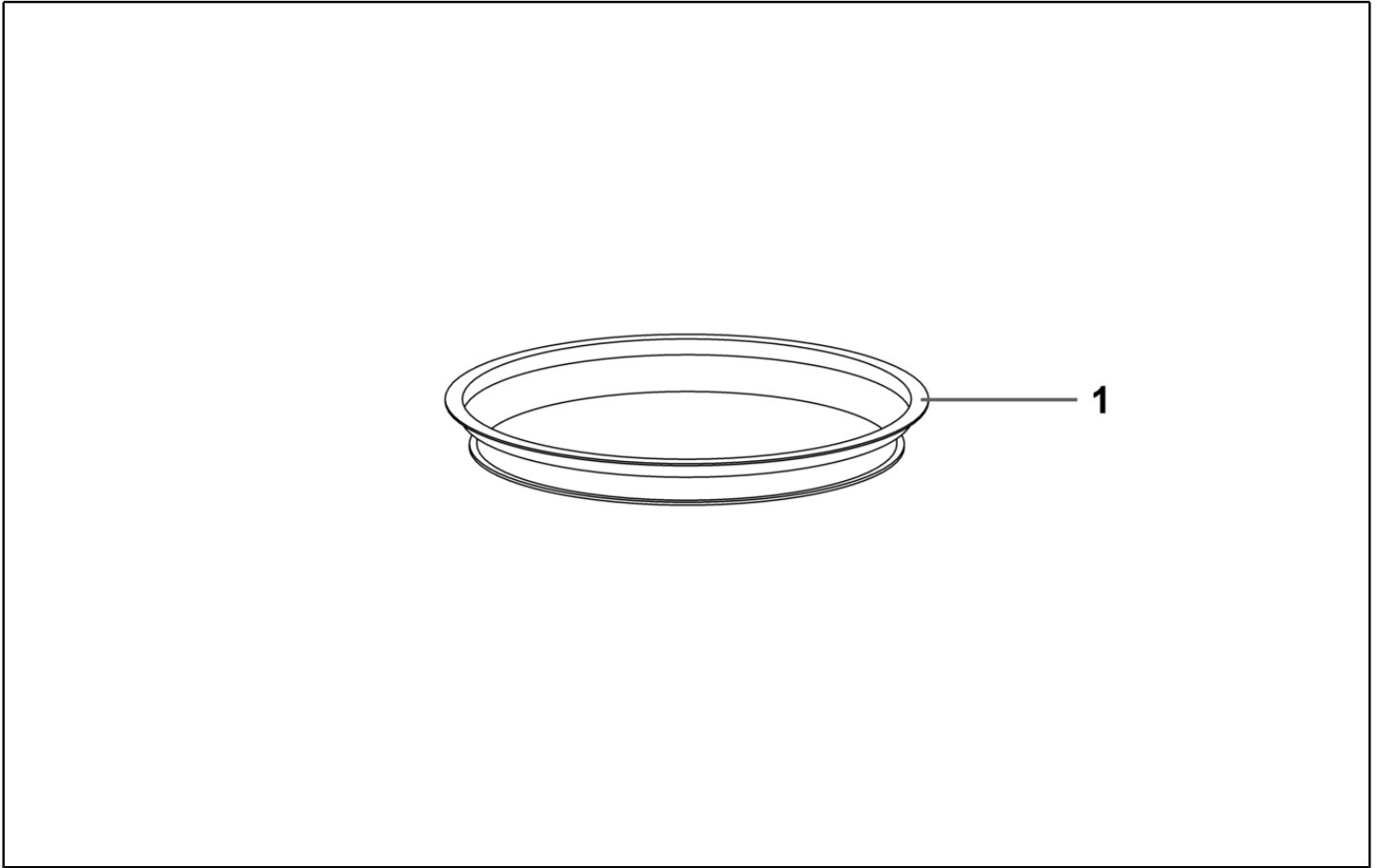
| Ref. K | Part n. | Part n. 2 | Description | Quantity | Validity | | Price |
|--------|-----------|-----------|-----------------------------------------|----------|----------|----|-------|
| | | | | | From | To | |
| 0001 | LAFN43048 | | EXTENSION ALL-PL DIA.40 MT. 0,50 NE | 2,00 | | | -- |
| 0002 | SPPV00156 | | FLAT LANCE D.38 | 1,00 | | | -- |
| 0003 | SPPV43052 | | ROUND TOOL D.38 | 1,00 | | | -- |
| 0004 | TBFX01189 | | FLEXIBLE HOSE 38 MT.2,5 NE C/IDR.E.TYP3 | 1,00 | | | -- |
| 0005 | SPPV43051 | | CURVED WET TOOL 400 D.38 | 1,00 | | | -- |
| 0006 | SPPV43050 | | BRISTLES BRUSH D.40 | 1,00 | | | -- |
| 0007 | MPVR43047 | | EXTENSION CURVED EXTENSION | 1,00 | | | -- |
| 0008 | SPPV28251 | | UPHOLSTERY TOOL W/BRASS FITTING | 1,00 | | | -- |
| 0009 | MPVR43049 | | PVC ADAPTOR D.38 | 1,00 | | | -- |



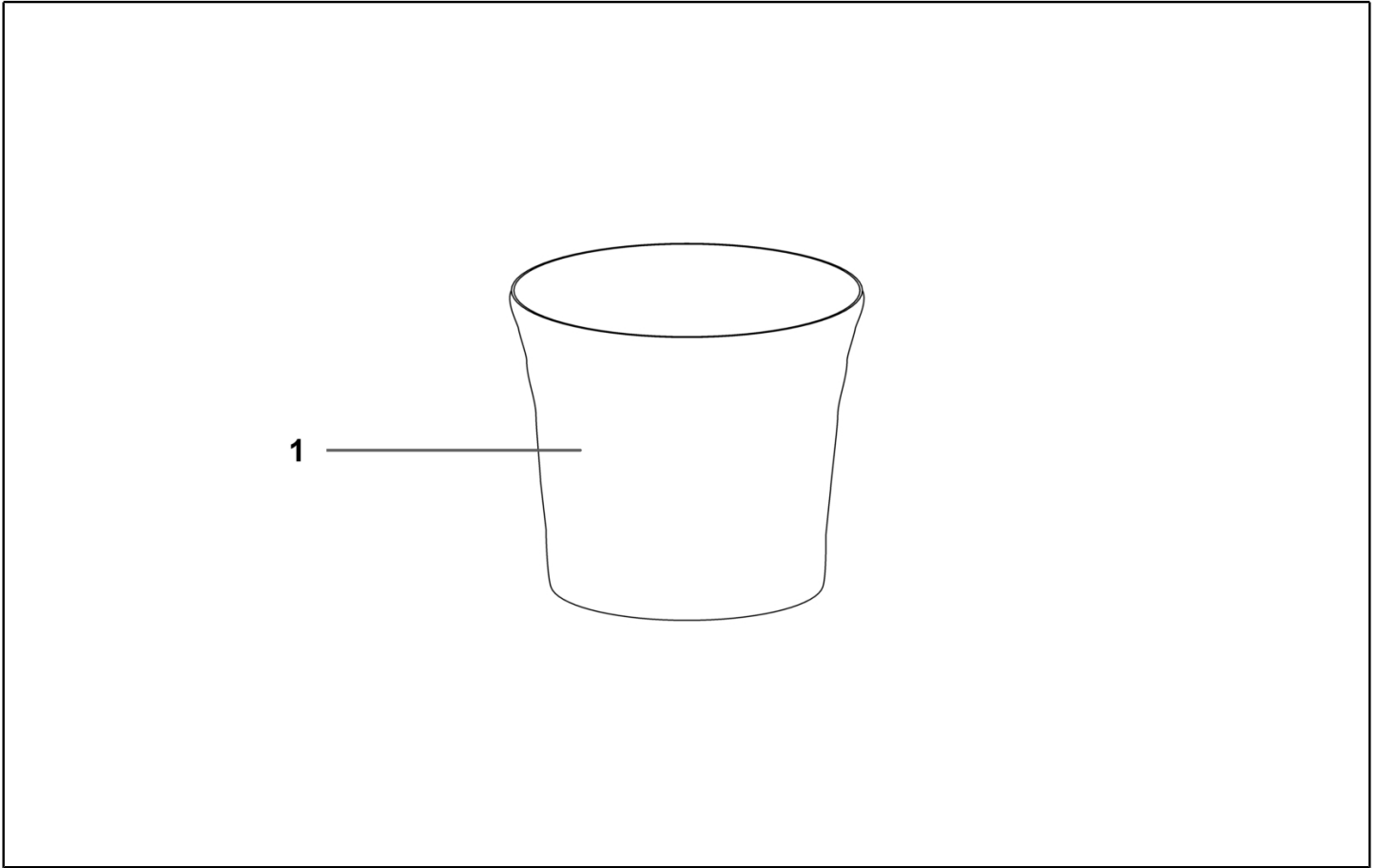
| Ref. K | Part n. | Part n. 2 | Description | Quantity | Validity | | Price |
|--------|-----------|-----------|-----------------------------------|----------|------------|------------|-------|
| | | | | | From | To | |
| * | GUGO00700 | | O-RING 0050-20 D. 5 x 2 x 9 NB | 1,00 | 11/04/2023 | | -- |
| * | VTVT71971 | | SCREW PAT TMT PHL 5X35 BLACK | 1,00 | 11/04/2023 | | -- |
| 0001 | MEVR86518 | | GUIDING SLIT LAVA | 2,00 | | | -- |
| 0002 | RCIN38910 | | QUICK SOCKET 1/4"F | 2,00 | | | -- |
| 0003 | GUGO72029 | | O RING 9 | 2,00 | | | -- |
| 0004 | RCVR46960 | | PLAST."L" COUPLING | 1,00 | | | -- |
| 0005 | MPVR28794 | | FIXING BOLT CONN. | 2,00 | | | -- |
| 0006 | VTVT72055 | | SCREW PFU TMT PHL 5X25 ZN BLACK | 4,00 | | | -- |
| 0007 | FSVR38348 | | CLAMP PLAST.CLIP D.8 | 3,00 | | | -- |
| 0008 | RCVR00850 | | PL.CONNECTOR COUPLING 1/8"F-PG5,2 | 2,00 | | | -- |
| 0009 | TBBP72261 | | HYDROLITIC HOSE 8x5 PER METER | 0,12 | | | -- |
| 0010 | FSVR72111 | | CLIP 9,3-9,9 | 1,00 | | | -- |
| 0011 | GUGO28799 | | RUBBER WASHER D.32X13X3 | 2,00 | | | -- |
| 0012 | METK42457 | | THERMAL PROTECTION | 1,00 | | 03/09/2020 | -- |
| 0012 | METK00058 | | THERMAL PROTEC. 220-240V CABLATO | 1,00 | 04/09/2020 | | -- |
| 0013 | VTVT72055 | | SCREW PFU TMT PHL 5X25 ZN BLACK | 4,00 | | | -- |
| 0014 | LAFN28797 | | "U" PUMP BRACKET | 2,00 | | | -- |
| 0015 | MEPD00004 | | "U" PUMP 230 V.50 HZ | 1,00 | | | -- |
| 0016 | LAFN28798 | | "U" PUMP SUPPORT | 1,00 | | | -- |
| 0017 | VTVT72207 | | SCREW PAT TMT PHL 5X25 BLACK | 1,00 | | | -- |
| 0018 | RCVR00848 | | NIPPLE PLAST 1/8" | 1,00 | | | -- |
| 0019 | RCVR01080 | | PLAST."Y" COUPLING 2 WAYS | 1,00 | | | -- |
| 0020 | RCVR72251 | | NIPPLE 1/4" F. 1/8" F. | 1,00 | | | -- |
| 0021 | MEPF72220 | | PRESSURE SWITCH GP110 | 1,00 | | | -- |
| 0022 | TBBP72261 | | HYDROLITIC HOSE 8x5 PER METER | 0,15 | | | -- |
| 0023 | LAFN86519 | | METAL BUSH 16X12 | 1,00 | | | -- |
| 0024 | VTRS00168 | | TOOTHED WASHER M10 UNI 8842 | 1,00 | | | -- |



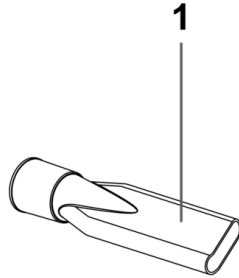
| Ref. K | Part n. | Part n. 2 | Description | Quantity | Validity | | Price |
|--------|-----------|-----------|----------------------------------|----------|----------|----|-------|
| | | | | | From | To | |
| 0001 | MPVR35807 | | FILTER RING 400 | 1,00 | | | -- |
| 0002 | FTDP00523 | | FILTER POLY AN4-600 CON REG H320 | 1,00 | | | -- |
| 0003 | MPVR09199 | | CONICAL BASKET 400 | 1,00 | | | -- |



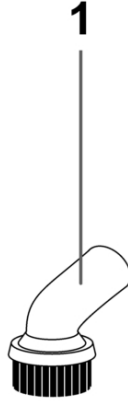
| Ref. K | Part n. | Part n. 2 | Description | Quantity | Validity | | Price |
|--------|-----------|-----------|-----------------|----------|----------|----|-------|
| | | | | | From | To | |
| 0001 | MPVR35807 | | FILTER RING 400 | 1,00 | | | -- |
| 0001 | MPVR35807 | | FILTER RING 400 | 1,00 | | | -- |



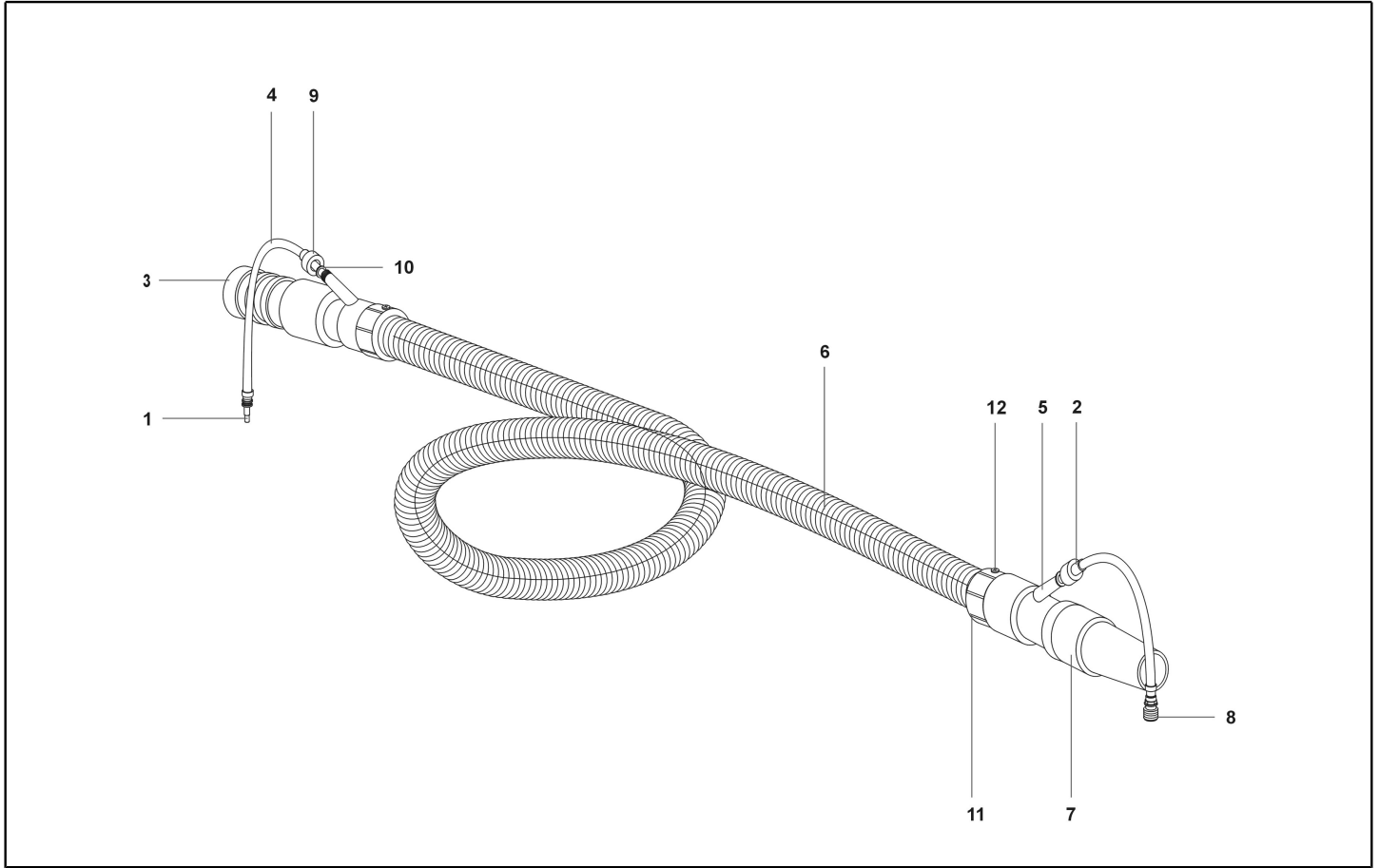
| Ref. K | Part n. | Part n. 2 | Description | Quantity | Validity | | Price |
|--------|-----------|-----------|----------------------------------|----------|----------|----|-------|
| | | | | | From | To | |
| 0001 | FTDP00523 | | FILTER POLY AN4-600 CON REG H320 | 1,00 | | | -- |
| 0001 | FTDP00523 | | FILTER POLY AN4-600 CON REG H320 | 1,00 | | | -- |
| 0001 | FTDP00523 | | FILTER POLY AN4-600 CON REG H320 | 1,00 | | | -- |



| Ref. K | Part n. | Part n. 2 | Description | Quantity | Validity | | Price |
|--------|-----------|-----------|-----------------|----------|----------|----|-------|
| | | | | | From | To | |
| 0001 | SPPV00156 | | FLAT LANCE D.38 | 2,00 | | | -- |
| 0001 | SPPV00156 | | FLAT LANCE D.38 | 2,00 | | | -- |



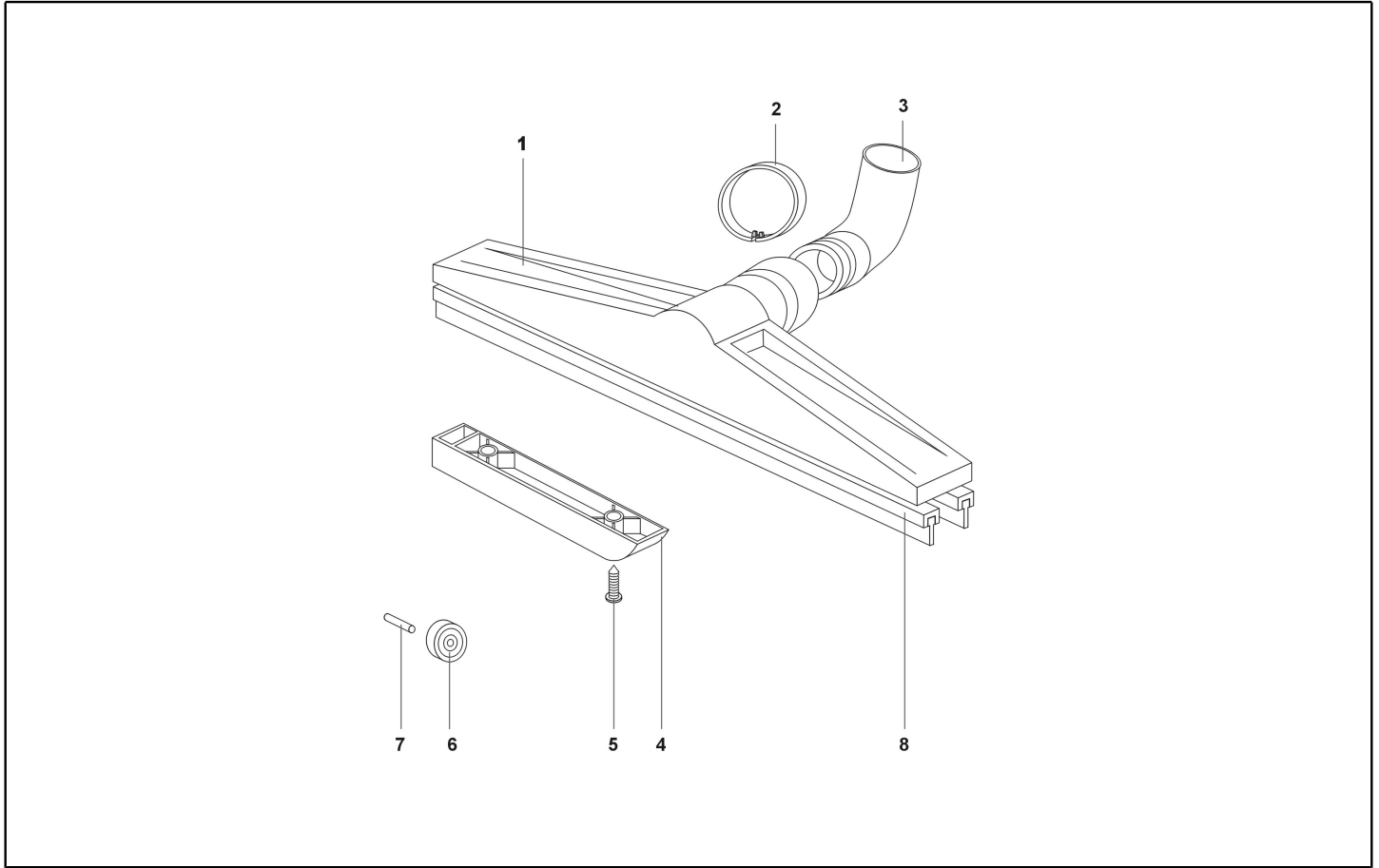
| Ref. K | Part n. | Part n. 2 | Description | Quantity | Validity | | Price |
|--------|-----------|-----------|-----------------|----------|----------|----|-------|
| | | | | | From | To | |
| 0001 | SPPV43052 | | ROUND TOOL D.38 | 1,00 | | | -- |
| 0001 | SPPV43052 | | ROUND TOOL D.38 | 1,00 | | | -- |



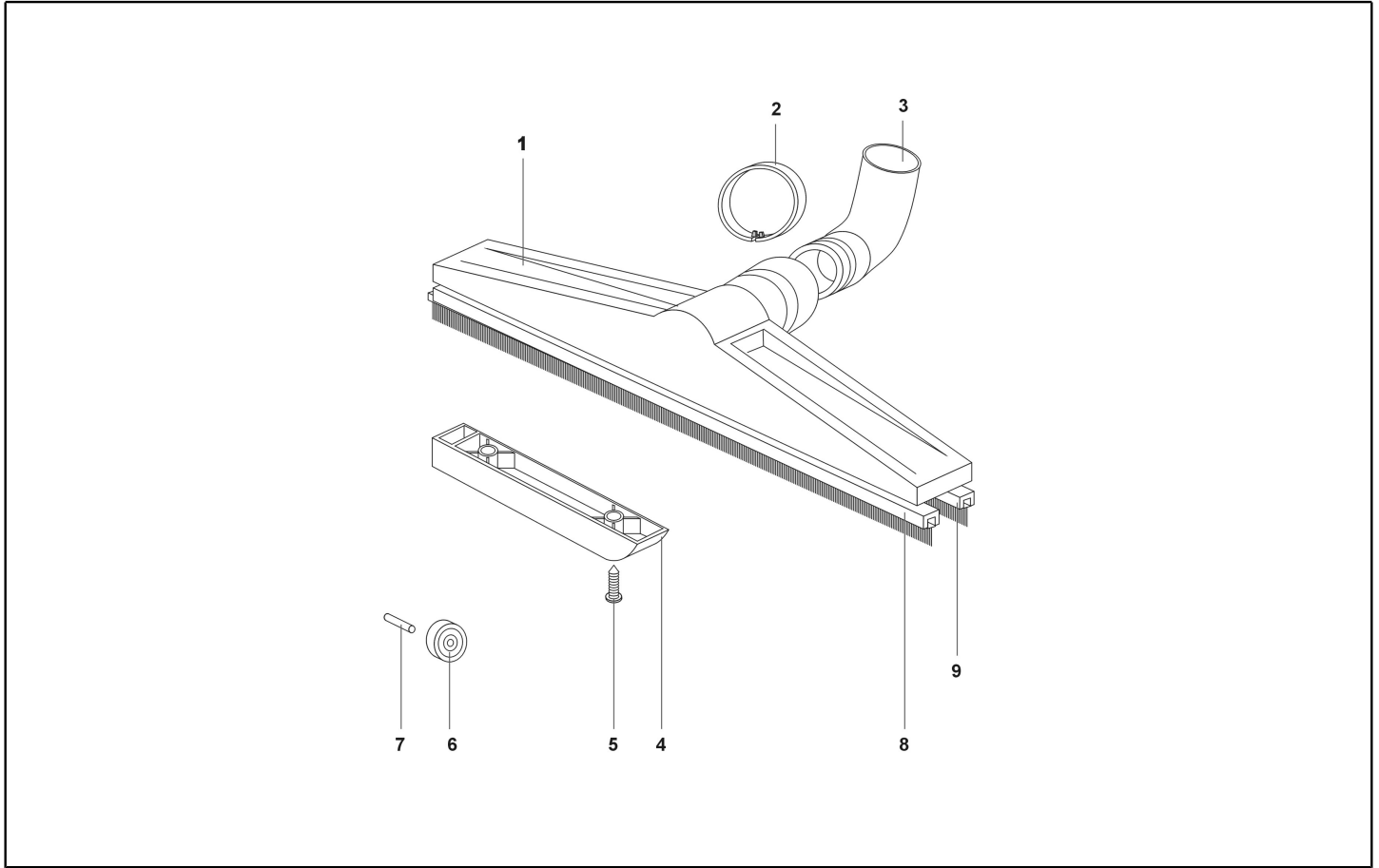
| Ref. K | Part n. | Part n. 2 | Description | Quantity | Validity | | Price |
|--------|-----------|-----------|----------------------------------|----------|----------|----|-------|
| | | | | | From | To | |
| 0001 | RCIN38912 | | BRASS QUICK COUPLING P.G5,2 | 1,00 | | | -- |
| 0002 | FSVR38348 | | CLAMP PLAST.CLIP D.8 | 2,00 | | | -- |
| 0003 | MPVR07479 | | SLEEVE TUBOFLEX D.38/D.38 C/OR | 1,00 | | | -- |
| 0004 | TBBP72261 | | HYDROLITIC HOSE 8x5 PER METER | 3,20 | | | -- |
| 0005 | MPVR06579 | | SLEEVE D.38 PER RILSAN (V/RIC) | 2,00 | | | -- |
| 0006 | TBFX01188 | | BLACK FLEX.HOSE 38 MT.2.5 TYPE 3 | 1,00 | | | -- |
| 0007 | RCVR72221 | | ROTATING CUFF D.38/D.38 | 1,00 | | | -- |
| 0008 | RCIN35828 | | BRASS QUICK SOCKET C/V-P.G.5,2 | 1,00 | | | -- |
| 0009 | MPVR06821 | | RING NUT 3/8"PER TUBOFLEX | 2,00 | | | -- |
| 0010 | VTRS72168 | | RUBBER WASHER D.15X9,5X1,5 | 2,00 | | | -- |
| 0011 | MPVR05666 | | RING NUT THREADED D.38 | 2,00 | | | -- |
| 0012 | VTVT01189 | | SCREW AUT.TC PHL 3,9X13 STAIN. | 2,00 | | | -- |



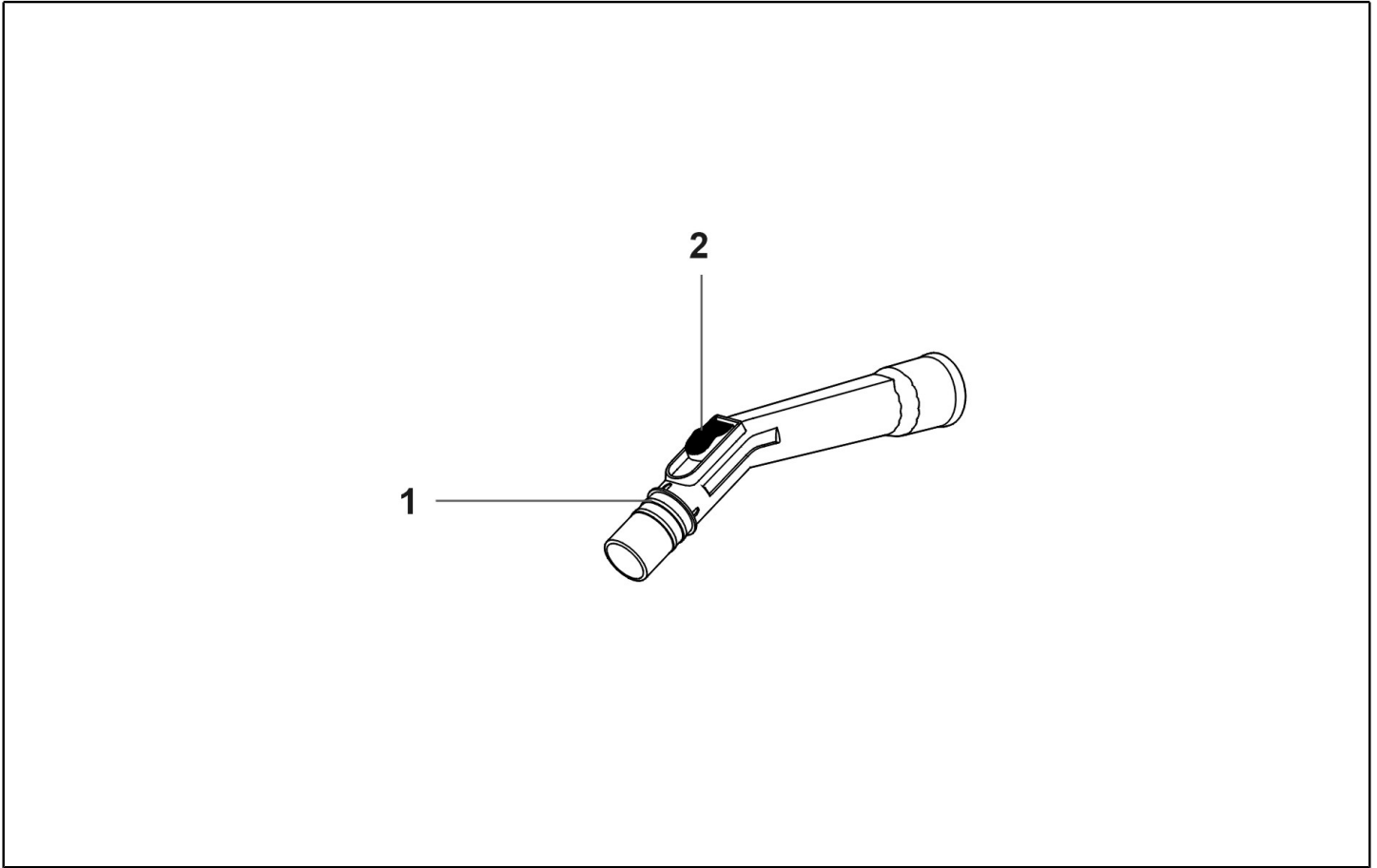
| Ref. K | Part n. | Part n. 2 | Description | Quantity | Validity | | Price |
|--------|-----------|-----------|--------------|----------|----------|----|-------|
| | | | | | From | To | |
| 0001 | MPVR28696 | | DEFLECTOR 99 | 1,00 | | | -- |
| 0001 | MPVR28696 | | DEFLECTOR 99 | 1,00 | | | -- |



| Ref. K | Part n. | Part n. 2 | Description | Quantity | Validity | | Price |
|--------|-----------|-----------|---------------------------------|----------|----------|----|-------|
| | | | | | From | To | |
| 0001 | MPVR06726 | | BODY SPAZZOLA 400 | 1,00 | | | -- |
| 0002 | MPVR49176 | | ELASTIC RING NUT BRUSH 400 | 1,00 | | | -- |
| 0003 | MPVR02289 | | BRUSH 400 ELBOW CLUTCH D.38 | 1,00 | | | -- |
| 0004 | MPVR06728 | | SUPPORT PORTARUOTA SPAZZ.400 | 2,00 | | | -- |
| 0005 | VTVT01193 | | SCREW PAT TMT PHL 5X15 ZN BLACK | 4,00 | | | -- |
| 0006 | RTRT87117 | | WHEEL D.25 BRUSH 300/400 | 2,00 | | | -- |
| 0007 | LAFN86068 | | PIVOT 5 X 17,5 ZN | 2,00 | | | -- |
| 0008 | MPVR38641 | | GUIDE LIST W/WET L=395 | 2,00 | | | -- |



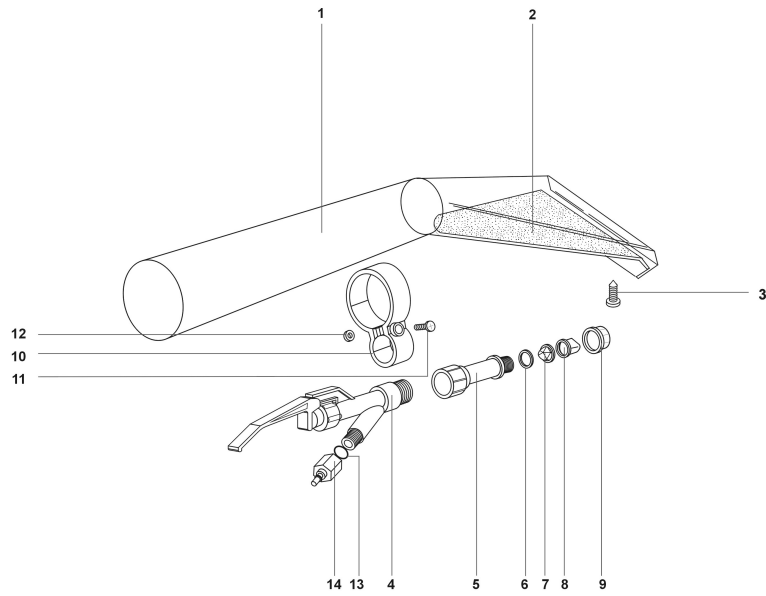
| Ref. K | Part n. | Part n. 2 | Description | Quantity | Validity | | Price |
|--------|-----------|-----------|---------------------------------|----------|----------|----|-------|
| | | | | | From | To | |
| 0001 | MPVR06726 | | BODY SPAZZOLA 400 | 1,00 | | | -- |
| 0002 | MPVR49176 | | ELASTIC RING NUT BRUSH 400 | 1,00 | | | -- |
| 0003 | MPVR02289 | | BRUSH 400 ELBOW CLUTCH D.38 | 1,00 | | | -- |
| 0004 | MPVR06728 | | SUPPORT PORTARUOTA SPAZZ.400 | 2,00 | | | -- |
| 0005 | VTVT01193 | | SCREW PAT TMT PHL 5X15 ZN BLACK | 4,00 | | | -- |
| 0006 | RTRT87117 | | WHEEL D.25 BRUSH 300/400 | 2,00 | | | -- |
| 0007 | LAFN86068 | | PIVOT 5 X 17,5 ZN | 2,00 | | | -- |
| 0008 | SPPV76601 | | STRIP L=395 | 1,00 | | | -- |
| 0009 | SPPV76599 | | GUIDE LIST W/STRIP L=395 | 1,00 | | | -- |



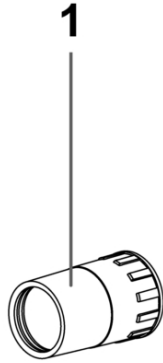
| Ref. K | Part n. | Part n. 2 | Description | Quantity | Validity | | Price |
|--------|-----------|-----------|----------------------------|----------|----------|----|-------|
| | | | | | From | To | |
| 0001 | MPVR10505 | | CURVE PLAST DIA 38 | 1,00 | | | -- |
| 0002 | MPVR06762 | | BUTTON REGOLAZIONE ARIA G5 | 1,00 | | | -- |



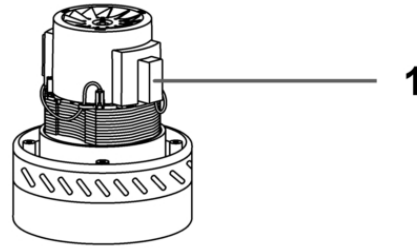
| Ref. K | Part n. | Part n. 2 | Description | Quantity | Validity | | Price |
|--------|-----------|-----------|------------------------------|----------|----------|----|-------|
| | | | | | From | To | |
| 0001 | VTVT36751 | | SCREW SCREW PAT TMT PHL 5X25 | 1,00 | | | -- |
| 0001 | VTVT36751 | | SCREW SCREW PAT TMT PHL 5X25 | 1,00 | | | -- |



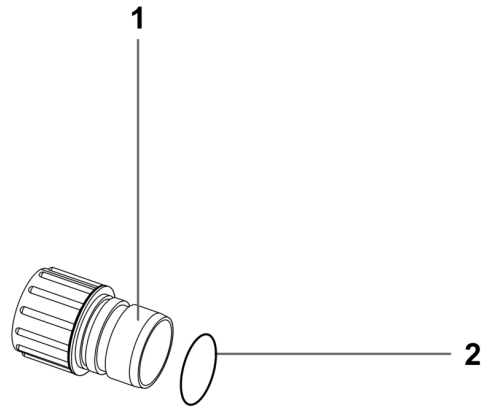
| Ref. K | Part n. | Part n. 2 | Description | Quantity | Validity | | Price |
|--------|-----------|-----------|--------------------------------------|----------|------------|----|-------|
| | | | | | From | To | |
| 0001 | MPVR11513 | | OPENING BODY D.36/38 TRASPARENTE NEW | 1,00 | 14/01/2019 | | -- |
| 0002 | MPVR11648 | | SMALL PLATE BOCCHETTA NEW | 1,00 | 14/01/2019 | | -- |
| 0003 | VTVT01189 | | SCREW AUT.TC PHL 3,9X13 STAIN. | 4,00 | | | -- |
| 0004 | RCGR86949 | | LEVER COCK COMPL. | 1,00 | | | -- |
| 0005 | RCVR31726 | | EXTENSION 3/8"-1/4" | 1,00 | | | -- |
| 0006 | VTRS72168 | | RUBBER WASHER D.15X9,5X1,5 | 1,00 | | | -- |
| 0007 | FTDT31725 | | INOX JET FILTER | 1,00 | | | -- |
| 0008 | UGLN30851 | | PL.NOZZLE C1 02/80° | 1,00 | | | -- |
| 0009 | MPVR31724 | | RING 3/8"F | 1,00 | | | -- |
| 0010 | MPVR31723 | | COCK SUPPORT | 1,00 | | | -- |
| 0011 | VTVT85000 | | SCREW M 5X25 | 1,00 | | | -- |
| 0012 | VTDD71969 | | NUT NUT M 5 | 1,00 | | | -- |
| 0013 | GUGO72029 | | O RING 9 | 1,00 | | | -- |
| 0014 | RCIN38913 | | BRASS QUICK COUPLING 1/4" F | 1,00 | | | -- |



| Ref. K | Part n. | Part n. 2 | Description | Quantity | Validity | | Price |
|--------|-----------|-----------|------------------|----------|----------|----|-------|
| | | | | | From | To | |
| 0001 | MPVR43049 | | PVC ADAPTOR D.38 | 1,00 | | | -- |
| 0001 | MPVR43049 | | PVC ADAPTOR D.38 | 1,00 | | | -- |



| Ref. K | Part n. | Part n. 2 | Description | Quantity | Validity | | Price |
|--------|-----------|-----------|---------------------------------|----------|----------|----|-------|
| | | | | | From | To | |
| 0001 | MOMO00354 | | MOTOR BD302 1000W 220-240 50/60 | 1,00 | | | -- |
| 0001 | MOMO00354 | | MOTOR BD302 1000W 220-240 50/60 | 1,00 | | | -- |



| Ref. K | Part n. | Part n. 2 | Description | Quantity | Validity | | Price |
|--------|-----------|-----------|------------------------------|----------|------------|----|-------|
| | | | | | From | To | |
| 0001 | MPVR13223 | | SLEEVE TUBOFLEX D.38/D.38 | 1,00 | 11/06/2021 | | -- |
| 0002 | GUGO00408 | | O-RING D.INT. 44,12X2,62 NBR | 1,00 | | | -- |