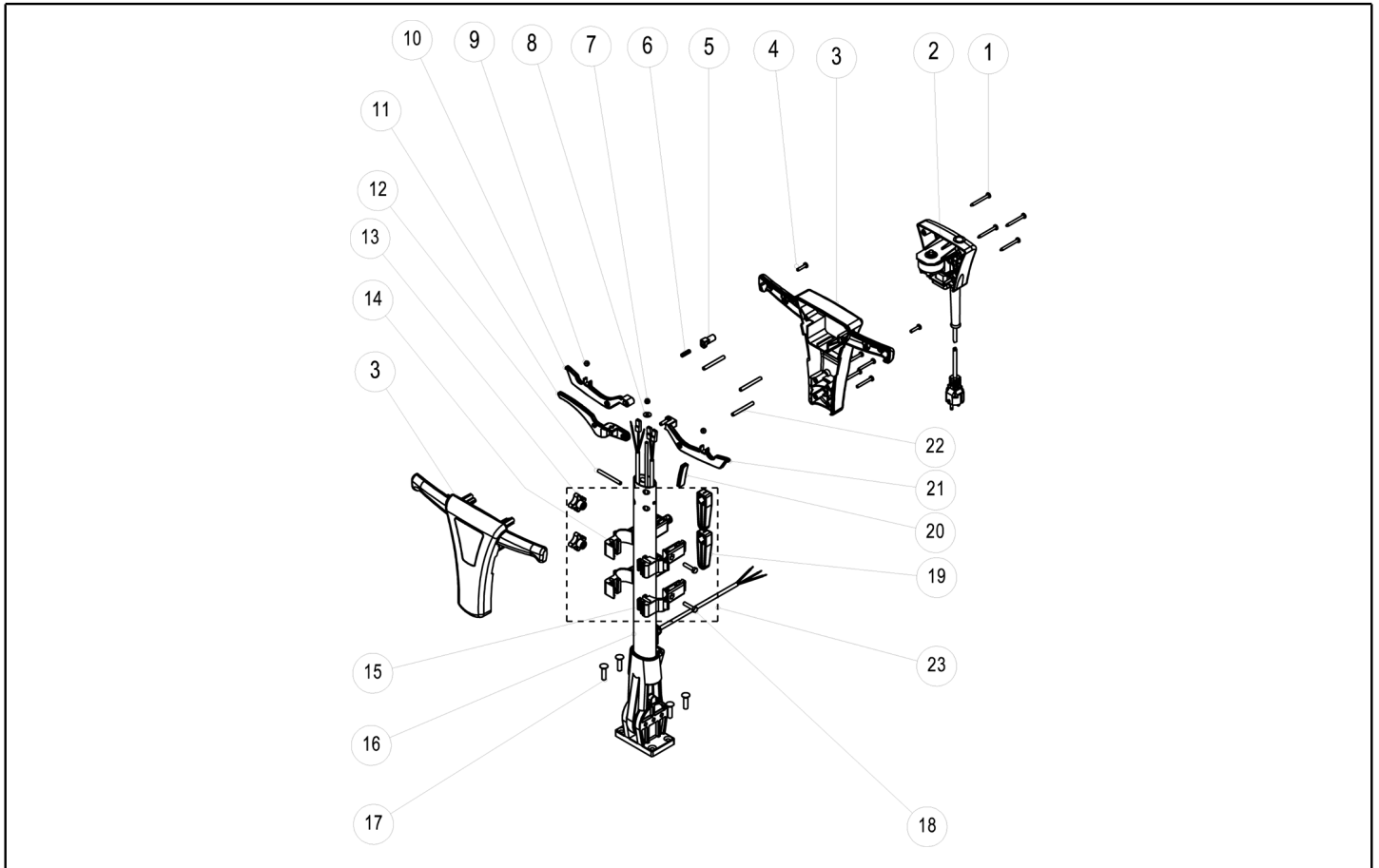




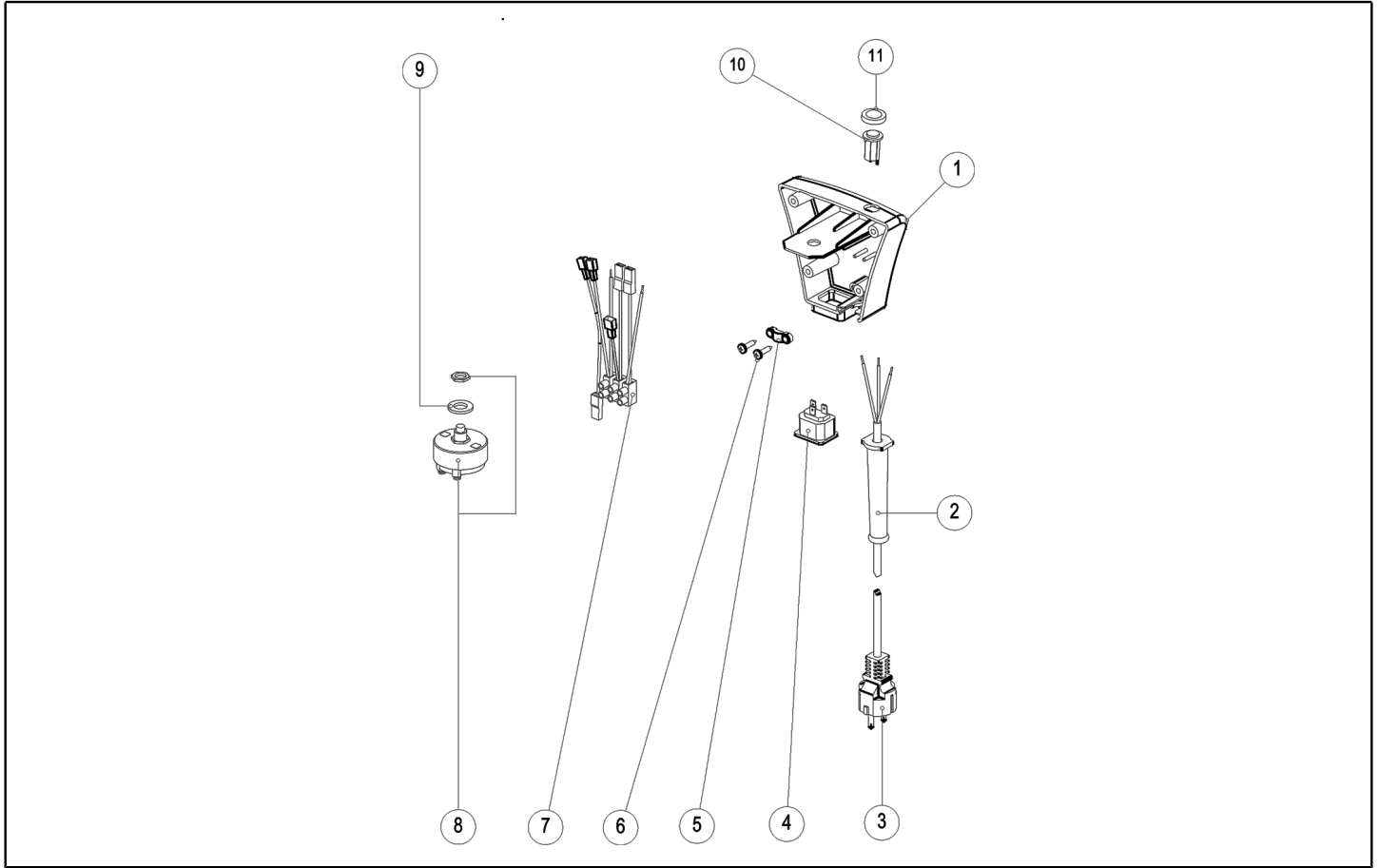
IPC

Spare parts list

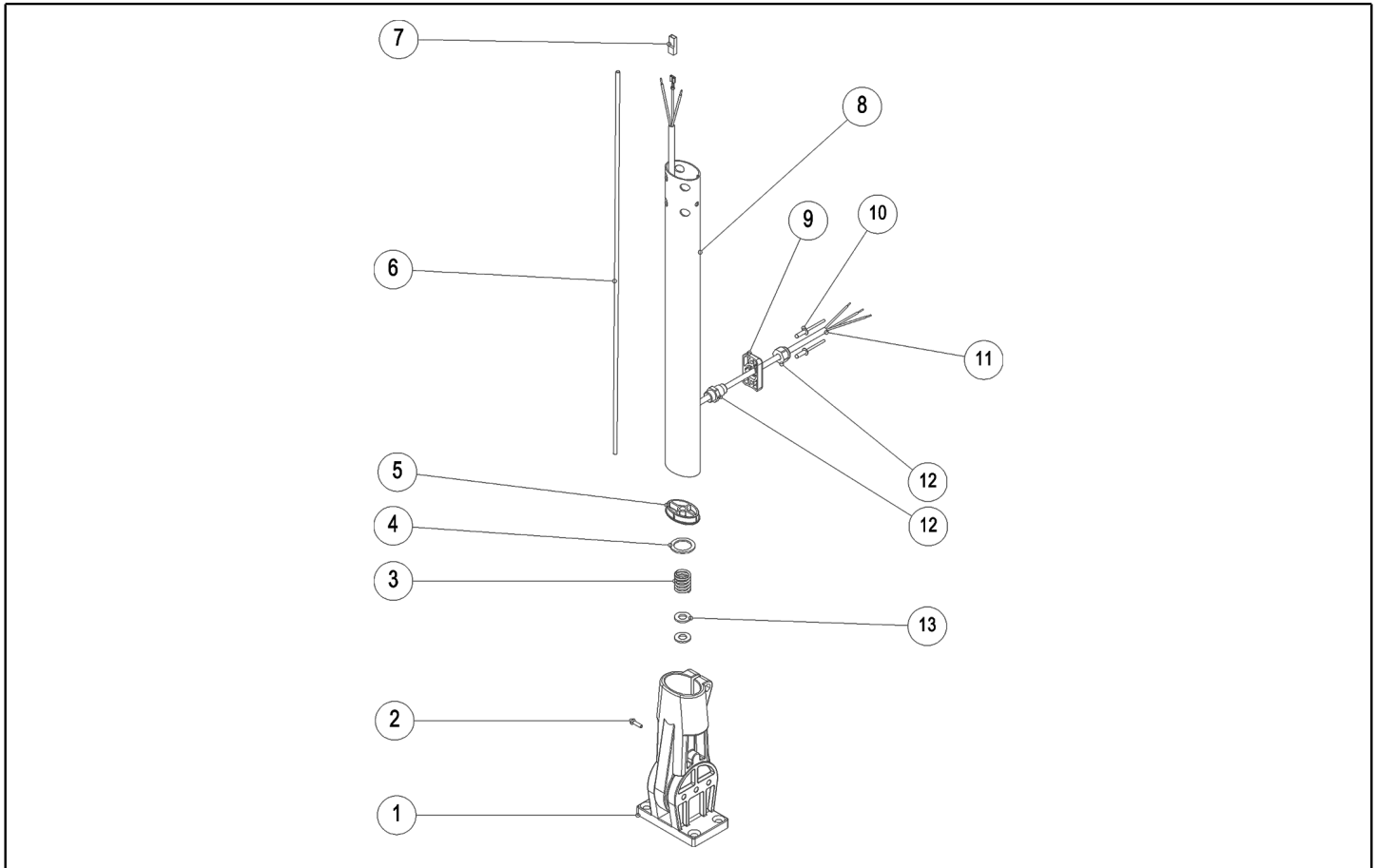
Ref: LUMS00326
Model: SINGLE BRUSH SD 1500-HS



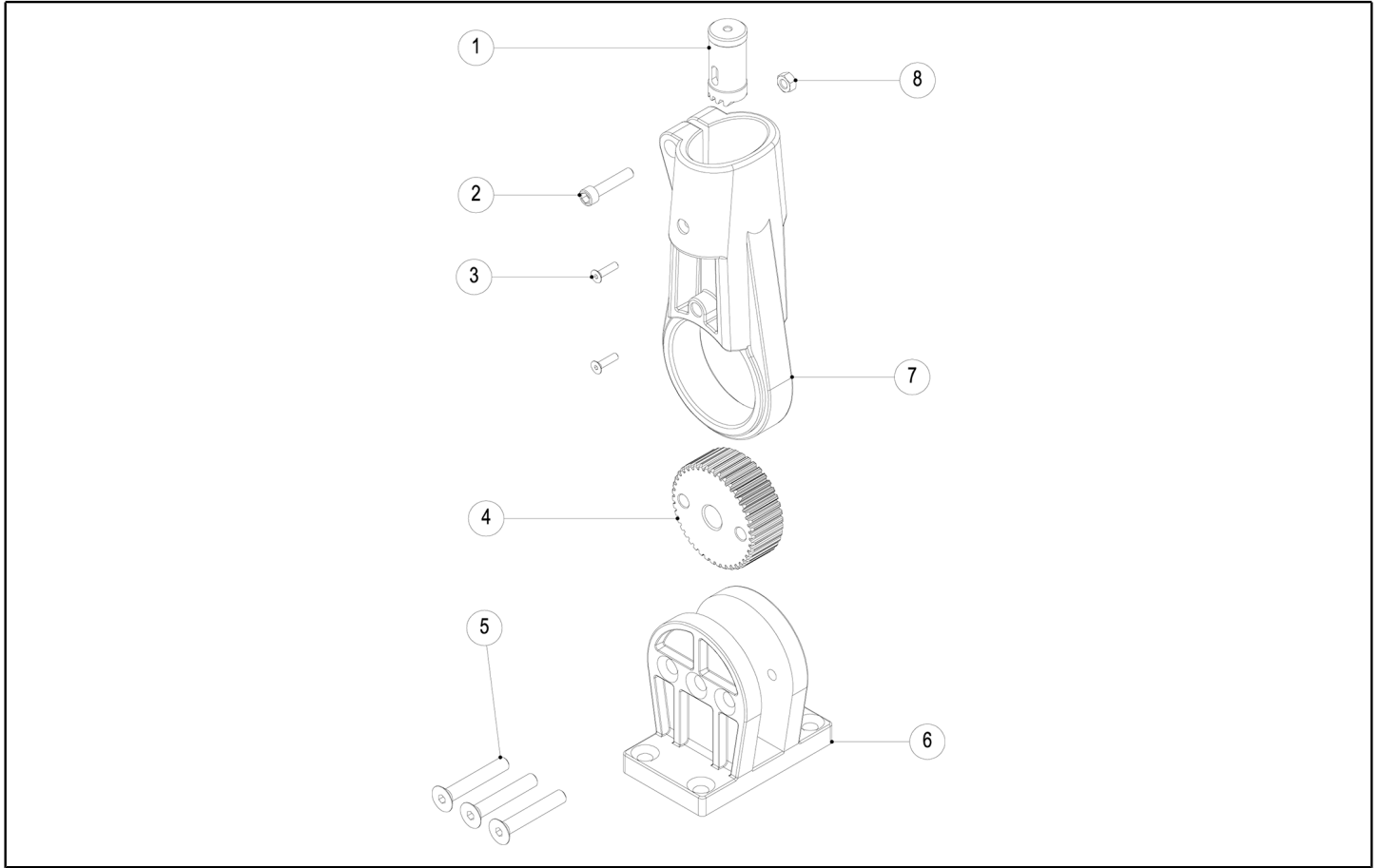
| Ref. K | Part n. | Part n. 2 | Description | Quantity | Validity | | Price |
|--------|-----------|-----------|----------------------|----------|----------|----|-------|
| | | | | | From | To | |
| 0001 | VTVT01500 | | SCREW TCC 5X50 CP | 8,00 | | | -- |
| 0002 | KTRI06712 | | KIT . | 1,00 | | | -- |
| 0003 | MPVR12809 | | SHELL - | 1,00 | | | -- |
| 0004 | VTVT01501 | | SCREW TCC 5X22 CP | 2,00 | | | -- |
| 0005 | MEVR02613 | | BUTTON - | 1,00 | | | -- |
| 0006 | MLML00528 | | SPRING - | 1,00 | | | -- |
| 0007 | VTDD00314 | | NUT M5 | 1,00 | | | -- |
| 0008 | VTRS00659 | | WASHER . | 1,00 | | | -- |
| 0009 | LAFN11549 | | BALL . | 2,00 | | | -- |
| 0010 | MPVR12292 | | LEVER - | 1,00 | | | -- |
| 0011 | MPVR12293 | | HANDLE - | 1,00 | | | -- |
| 0012 | VTVR01104 | | PLUG D.6 L63 | 1,00 | | | -- |
| 0013 | VTVR01105 | | HANDWHEEL M6 | 2,00 | | | -- |
| 0014 | MPVR12294 | | SUPPORT - | 2,00 | | | -- |
| 0015 | MPVR12294 | | SUPPORT - | 2,00 | | | -- |
| 0016 | KTRI06713 | | KIT . | 1,00 | | | -- |
| 0017 | VTVT01645 | | SCREW TSPCEI M8 X 25 | 4,00 | | | -- |
| 0018 | VTVT01646 | | SCREW TE M6 | 2,00 | | | -- |
| 0019 | MPVR13782 | | BRACKET - | 2,00 | | | -- |
| 0020 | MPVR13783 | | CAP - | 1,00 | | | -- |
| 0021 | MPVR12296 | | LEVER - | 1,00 | | | -- |
| 0022 | VTVR01106 | | PLUG D.6 L.58 | 3,00 | | | -- |
| 0023 | KTRI05566 | | KIT . | 1,00 | | | -- |



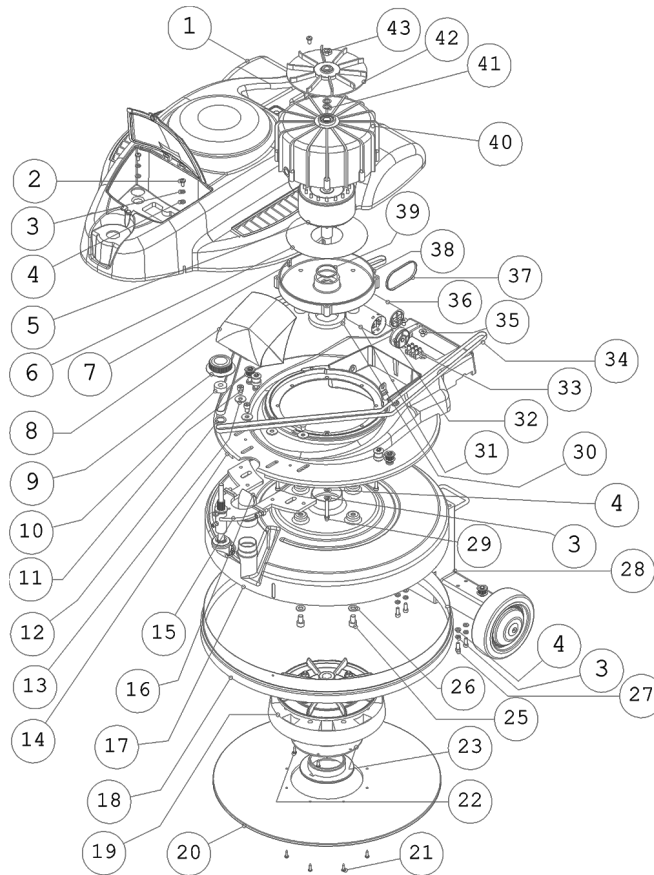
| Ref. K | Part n. | Part n. 2 | Description | Quantity | Validity | | Price |
|--------|-----------|-----------|-------------|----------|----------|----|-------|
| | | | | | From | To | |
| 0003 | MECB02080 | | CABLE 3X2,5 | 1,00 | | | -- |
| 0004 | MEVR02489 | | SOCKET . | 1,00 | | | -- |
| 0008 | MECI00677 | | SWITCH . | 1,00 | | | -- |
| 0010 | MECI00678 | | BUTTON . | 1,00 | | | -- |
| 0011 | MEVR02490 | | CAP . | 1,00 | | | -- |



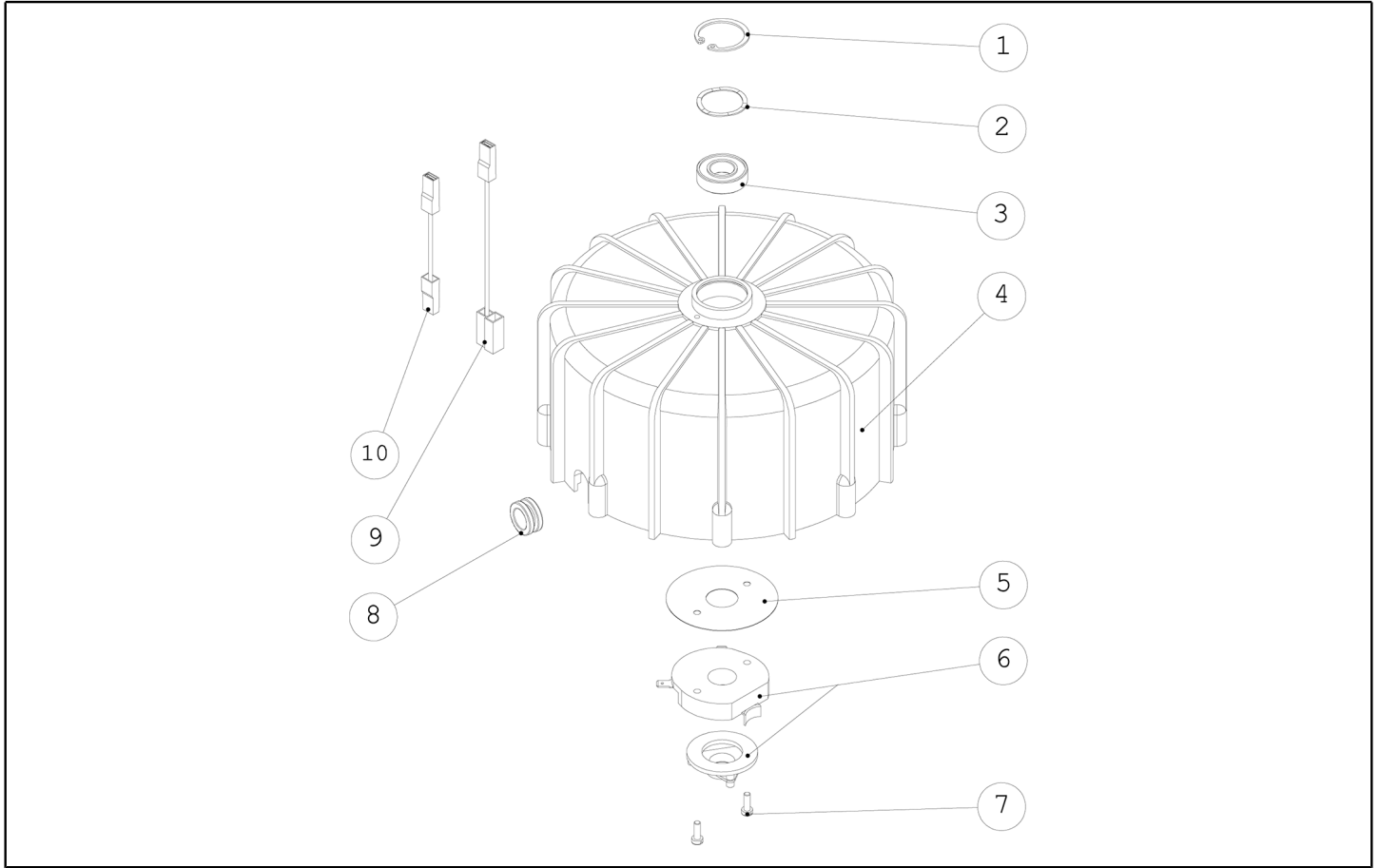
| Ref. K | Part n. | Part n. 2 | Description | Quantity | Validity | | Price |
|--------|-----------|-----------|----------------|----------|----------|----|-------|
| | | | | | From | To | |
| 0001 | MFVR00310 | | ARTICULATION . | 1,00 | | | -- |
| 0003 | MLML00499 | | SPRING . | 1,00 | | | -- |
| 0006 | LAFN11344 | | ROD . | 1,00 | | | -- |
| 0008 | LAFN11348 | | ROD . | 1,00 | | | -- |



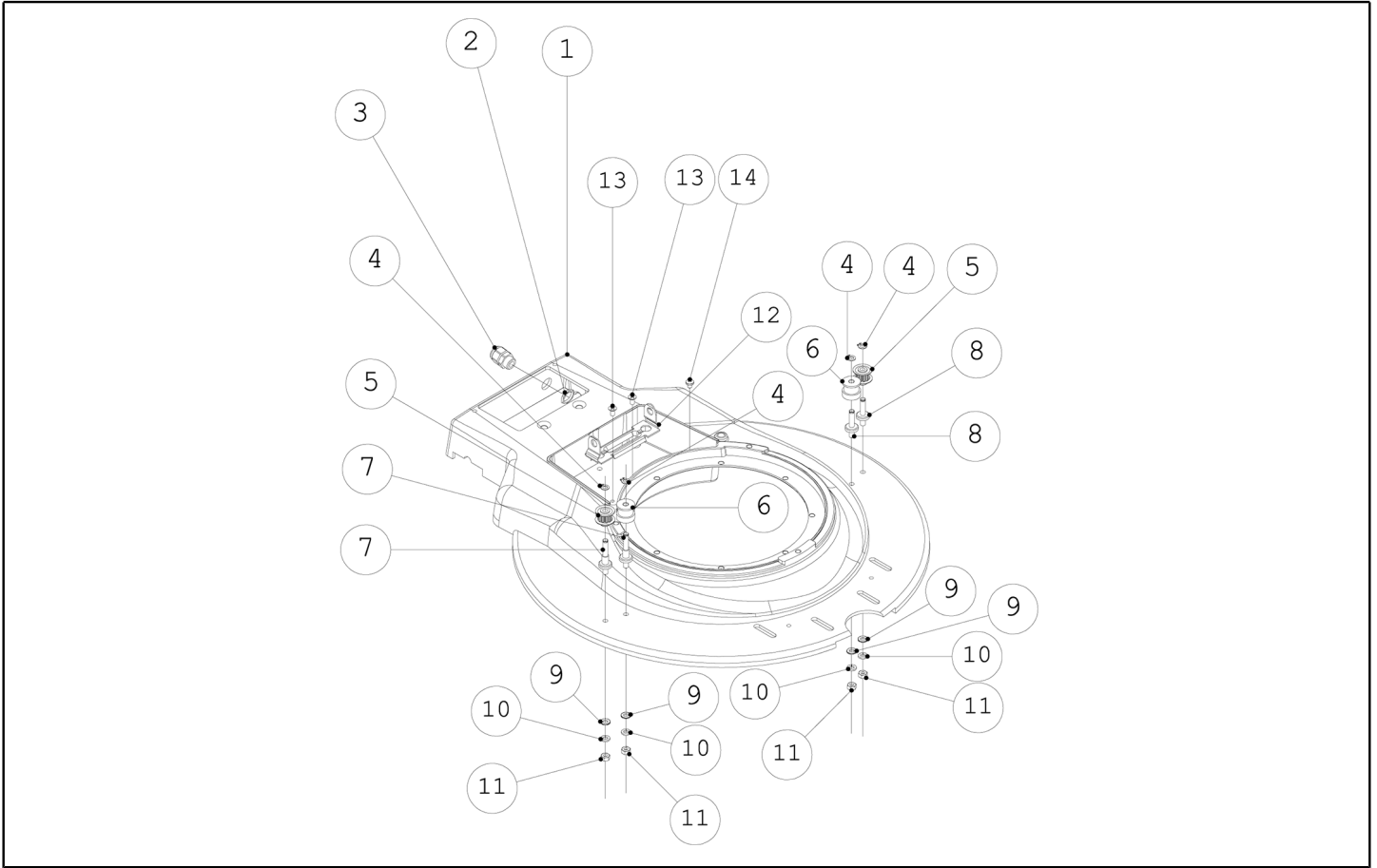
| Ref. K | Part n. | Part n. 2 | Description | Quantity | Validity | | Price |
|--------|-----------|-----------|------------------|----------|----------|----|-------|
| | | | | | From | To | |
| 0001 | MFVR00307 | | PISTON . | 1,00 | | | -- |
| 0004 | MTIG00159 | | GEAR . | 1,00 | | | -- |
| 0006 | MFVR00311 | | CONNECTING ROD . | 1,00 | | | -- |
| 0007 | MFVR00312 | | FORK . | 1,00 | | | -- |



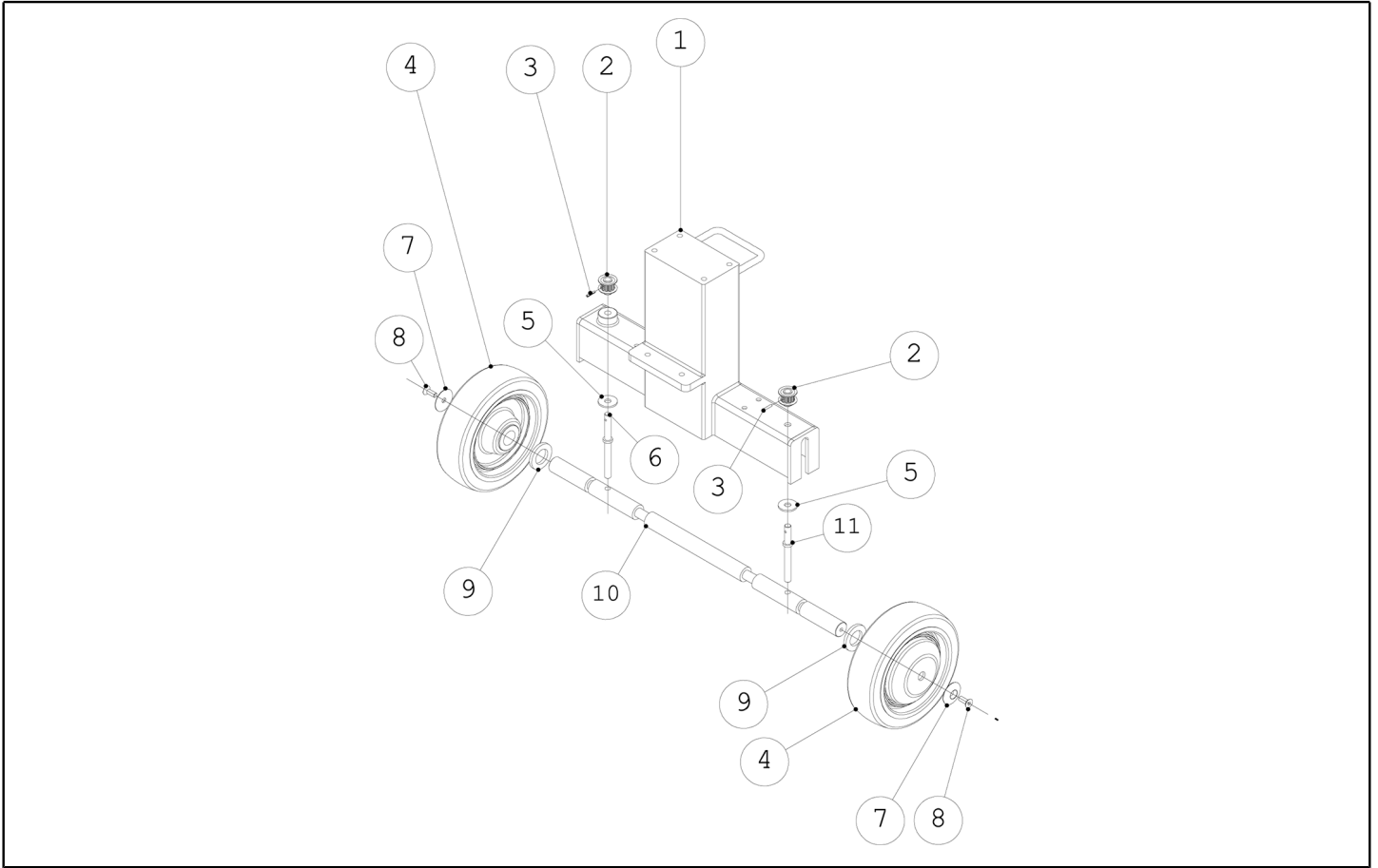
| Ref. K | Part n. | Part n. 2 | Description | Quantity | Validity | | Price |
|--------|-----------|-----------|----------------------|----------|----------|----|-------|
| | | | | | From | To | |
| 0001 | MPVR12302 | | HOOD - | 1,00 | | | -- |
| 0005 | MORT00078 | | ROTOR - | 1,00 | | | -- |
| 0014 | KTRI05571 | | KIT . | 1,00 | | | -- |
| 0015 | KTRI05572 | | KIT . | 1,00 | | | -- |
| 0018 | MPVR13563 | | BRAKE - | 1,00 | | | -- |
| 0019 | KTRI05572 | | KIT . | 1,00 | | | -- |
| 0020 | MPVR12303 | | DRIVE DISK - | 1,00 | | | -- |
| 0023 | KTRI05574 | | KIT . | 1,00 | | | -- |
| 0031 | MECO00130 | | CAPACITOR - | 1,00 | | | -- |
| 0034 | MTCG00163 | | BELT - | 1,00 | | | -- |
| 0035 | VTVT01617 | | SCREW TSPCEI M8 x 12 | 2,00 | | | -- |
| 0036 | MECO00134 | | CAPACITOR - | 1,00 | | | -- |
| 0040 | MOST00091 | | EL.MOT. STATOR - | 1,00 | | | -- |



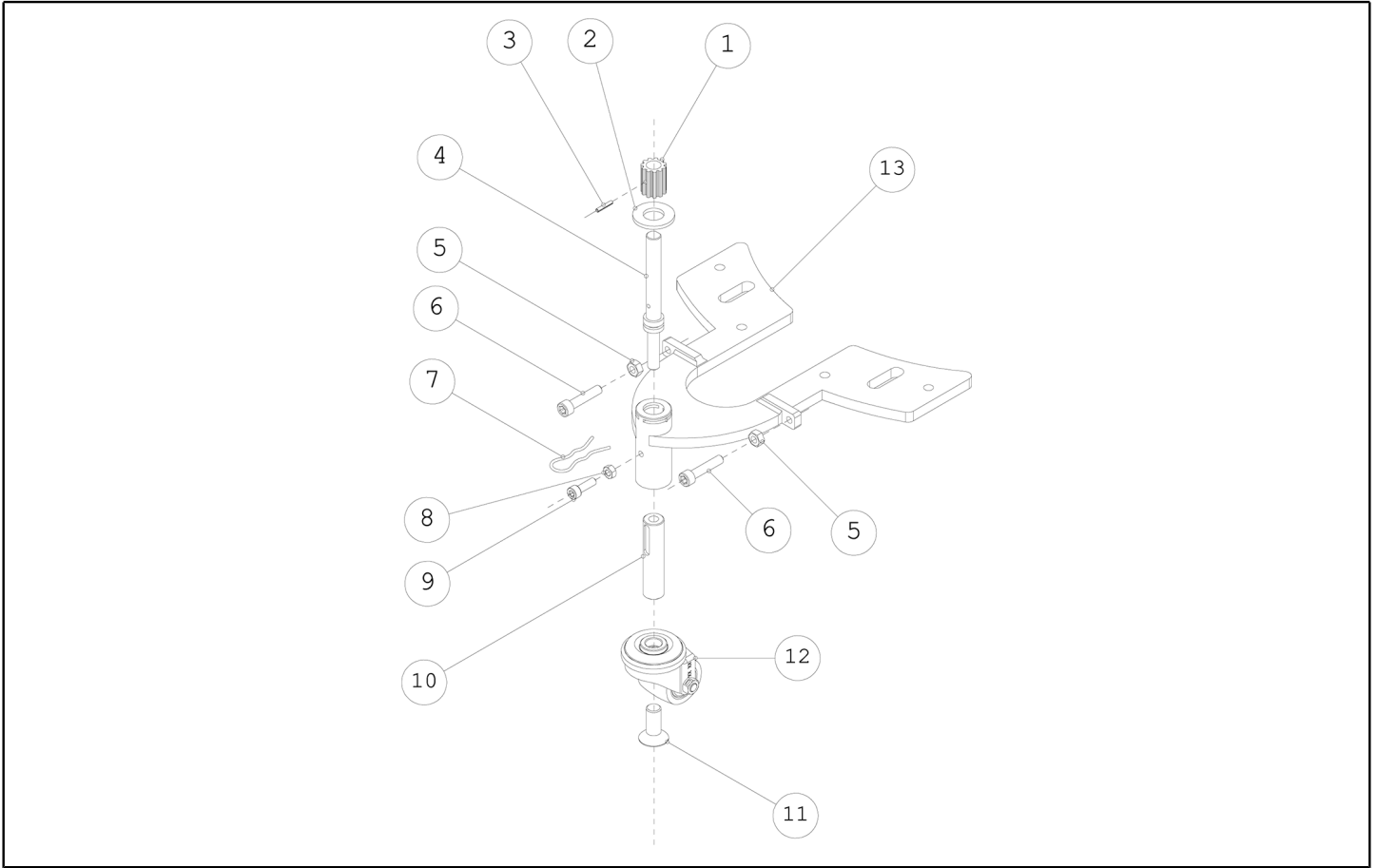
| Ref. K | Part n. | Part n. 2 | Description | Quantity | Validity | | Price |
|--------|-----------|-----------|------------------|----------|----------|----|-------|
| | | | | | From | To | |
| 0003 | CUVR00274 | | BEARING 6002 ZZ | 1,00 | | | -- |
| 0004 | MOST00087 | | EL.MOT. STATOR - | 1,00 | | | -- |
| 0005 | MPVR12301 | | PLATE - | 1,00 | | | -- |
| 0006 | METT00122 | | DISJUNCTOR - | 1,00 | | | -- |



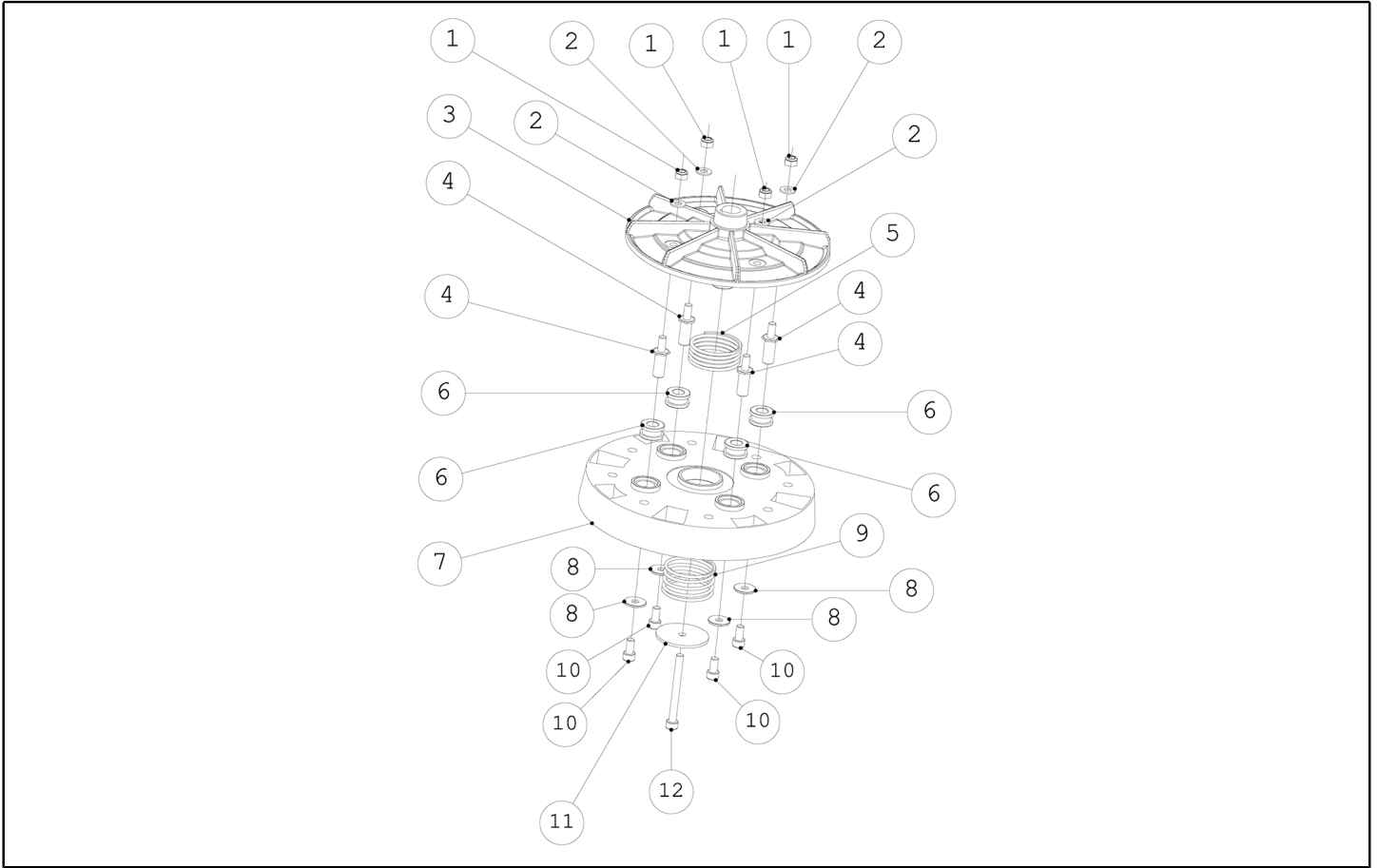
| Ref. K | Part n. | Part n. 2 | Description | Quantity | Validity | | Price |
|--------|-----------|-----------|-------------|----------|----------|----|-------|
| | | | | | From | To | |
| 0005 | MTPL00239 | | PULLEY - | 2,00 | | | -- |
| 0006 | LAFN11349 | | ROLLER . | 2,00 | | | -- |
| 0007 | LAFN11351 | | SHAFT RIGHT | 2,00 | | | -- |
| 0008 | LAFN11353 | | SHAFT LEFT | 2,00 | | | -- |



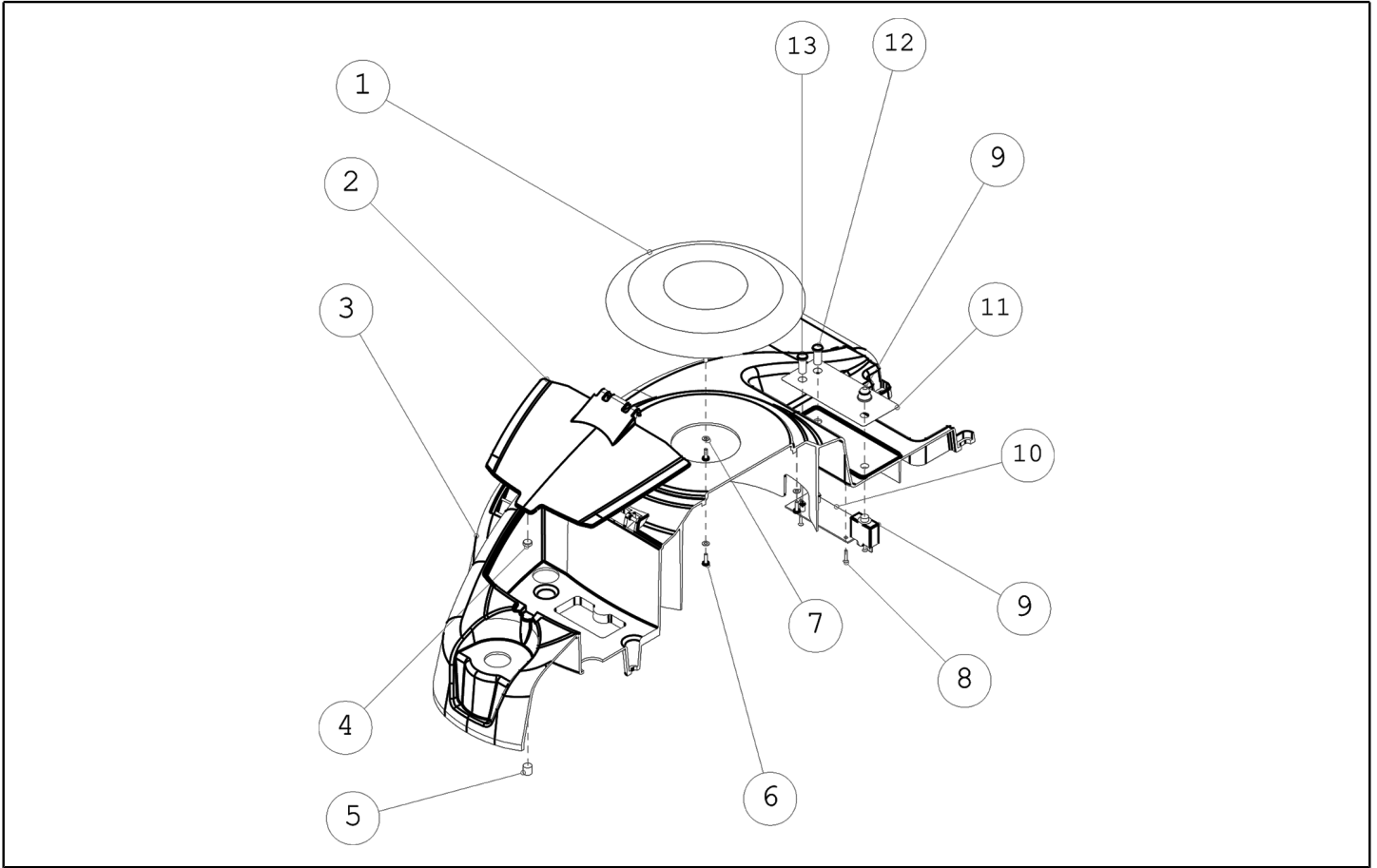
| Ref. K | Part n. | Part n. 2 | Description | Quantity | Validity | | Price |
|--------|-----------|-----------|-------------------|----------|----------|----|-------|
| | | | | | From | To | |
| 0002 | MTPL00240 | | PULLEY - | 2,00 | | | -- |
| 0004 | RTRT00822 | | WHEEL D.140 | 2,00 | | | -- |
| 0007 | VTRS00653 | | WASHER . | 2,00 | | | -- |
| 0008 | VTVT01626 | | SCREW TSPEI M6X16 | 2,00 | | | -- |
| 0009 | LAFN12053 | | SPACER . | 2,00 | | | -- |



| Ref. K | Part n. | Part n. 2 | Description | Quantity | Validity | | Price |
|--------|-----------|-----------|-------------|----------|----------|----|-------|
| | | | | | From | To | |
| 0001 | LAFN11354 | | BAR . | 1,00 | | | -- |
| 0004 | LAFN11355 | | SHAFT . | 1,00 | | | -- |
| 0007 | VTVR01087 | | SPLIT PIN . | 1,00 | | | -- |
| 0010 | LAFN11356 | | PISTON . | 1,00 | | | -- |
| 0012 | RTRT00706 | | WHEEL FRONT | 1,00 | | | -- |



| Ref. K | Part n. | Part n. 2 | Description | Quantity | Validity | | Price |
|--------|-----------|-----------|-------------------|----------|----------|----|-------|
| | | | | | From | To | |
| 0003 | MPVR12304 | | IMPELLER - | 1,00 | | | -- |
| 0006 | MPVR12801 | | VIBRATION DAMP. - | 4,00 | | | -- |



| Ref. K | Part n. | Part n. 2 | Description | Quantity | Validity | | Price |
|--------|-----------|-----------|-------------------|----------|----------|----|-------|
| | | | | | From | To | |
| 0001 | MPVR13413 | | VIBRATION DAMP. - | 1,00 | | | -- |
| 0003 | MPVR12305 | | CRANKCASE - | 1,00 | | | -- |
| 0009 | MEVR02867 | | PROTECTION . | 1,00 | | | -- |