



**IPC**

**Spare parts list**

Ref: ASDO15019

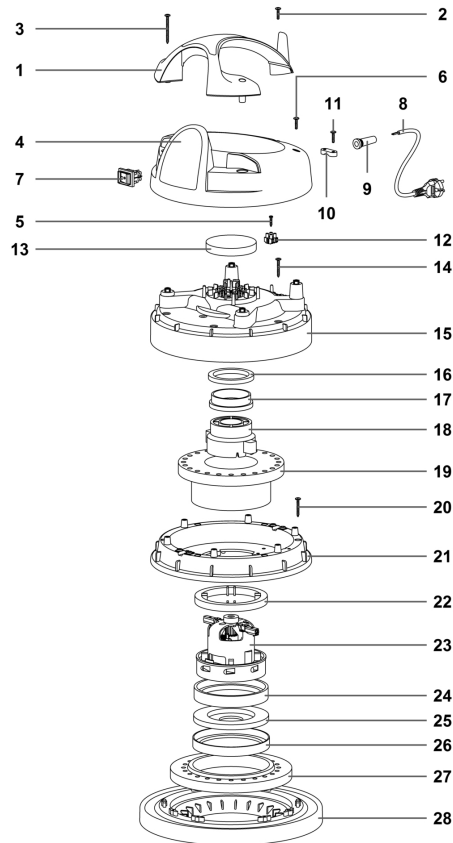
Model: VACUUM CLEANER GP1/35W&D TOPPER 315E CAR



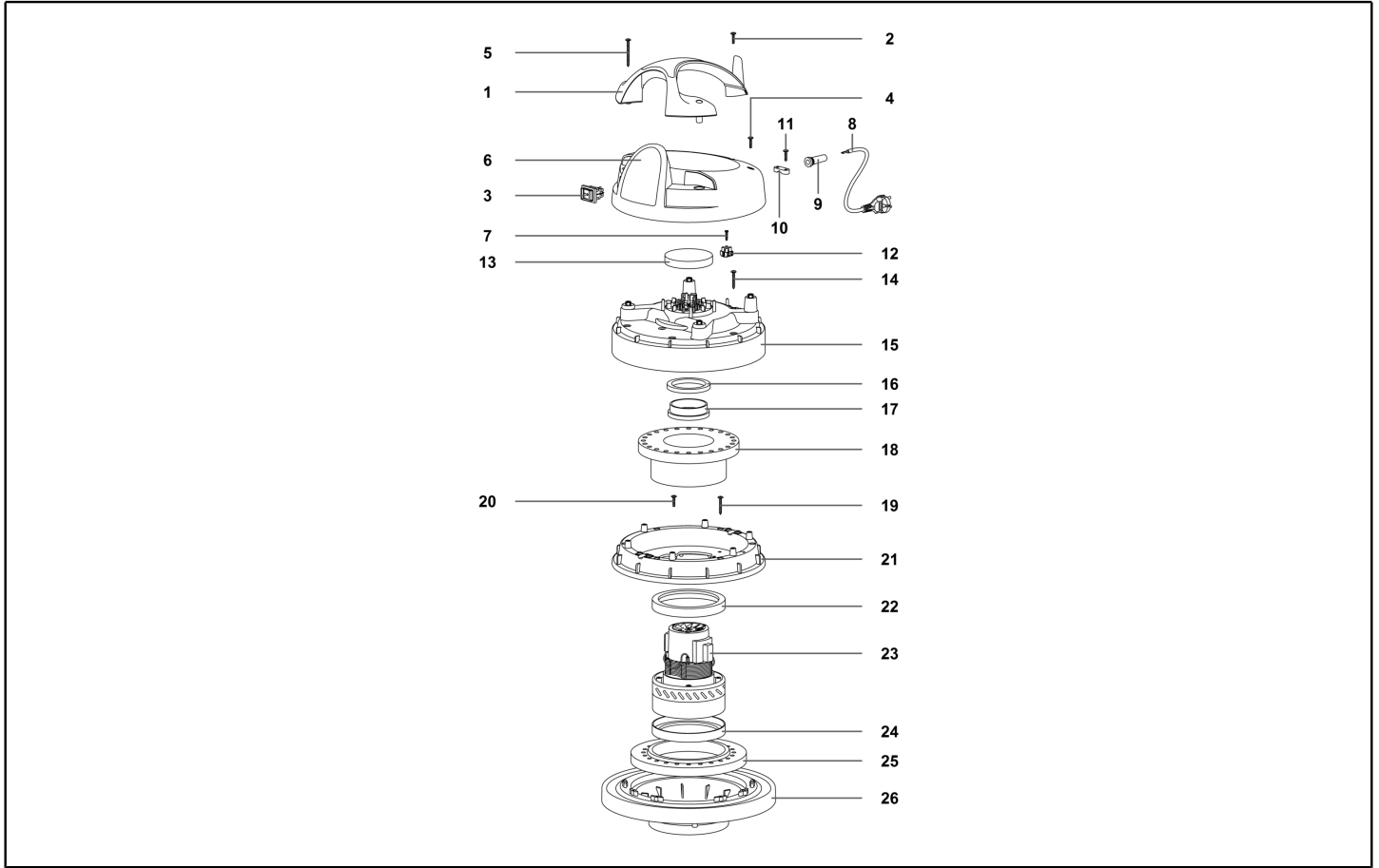
IPC Integrated Professional Cleaning

**IPC Soteco**

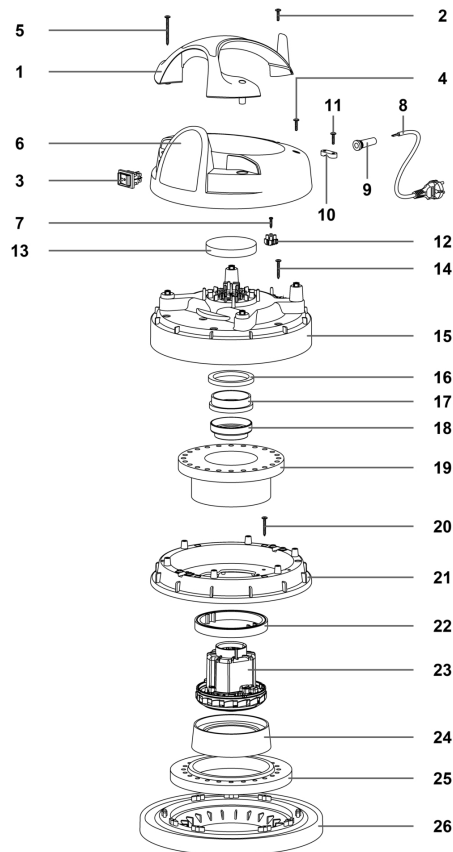
Ref. K	Part n.	Part n. 2	Description	Quantity	Validity		Price
					From	To	
0001	PMTA08354		HEAD TOPPER 215/515 HP VEI/NE	1,00		18/04/2021	--
0001	PMTA08356		HEAD TOPPER 215/515 2ST VEI NE	1,00	19/04/2021	30/11/2023	--
0001	PMTA09556		HEAD TOPPER 215/515 VEI NE D	1,00	01/12/2023		--
0002	KTRI76691		KIT FILTER DERBY/SKIP WET COMPL.	1,00		18/04/2021	--
0002	KTRI04336		FILTERING KIT 300 CON. SAN.COMPL.	1,00	19/04/2021		--
0003	PMFU02528		DRUM 99/E CAR NE/VE-IPC COMP	1,00			--
0004	CARR01616		TROLLEY 99/E BLACK	1,00			--
0005	PMDT00588		ACCESSORY KIT 38 WET-DRY C/T.FLEX NERO	1,00	29/01/2021	15/02/2023	--
0005	PMDT00969		ACCESSORY KIT 38 WET-DRY T.FLEX N. TYP3	1,00	16/02/2023		--
0006	FTDP00462		MICROFIBER FILTER BAG 338-SC-TEX	1,00	16/02/2023		--



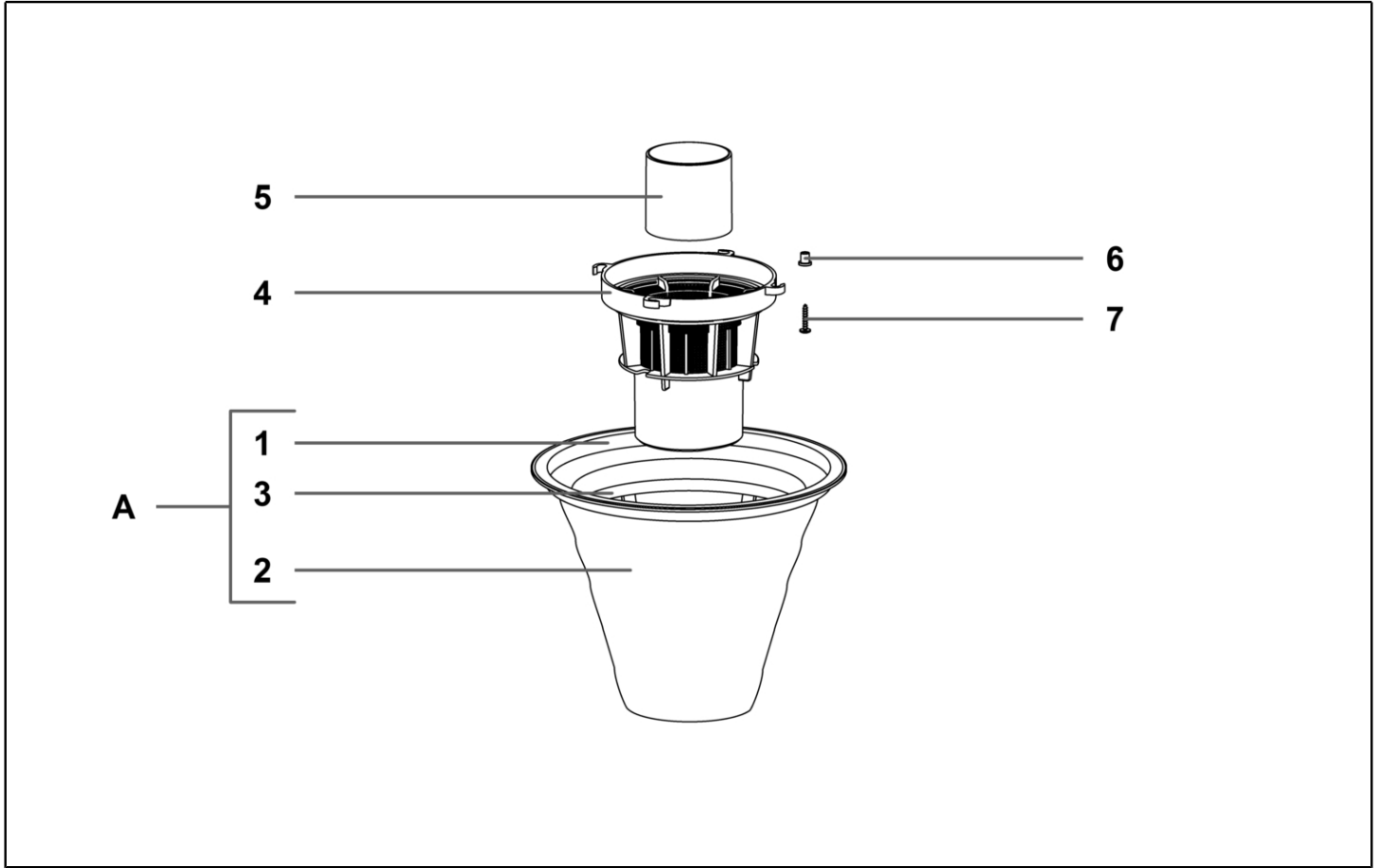
Ref. K	Part n.	Part n. 2	Description	Quantity	Validity		Price
					From	To	
*	FSVR00127		CLAMP	1,00			--
*	MECB01579		CONN.WIRE C.420-GR-FF-FF48	1,00			--
*	MECB01452		CONN.WIRE C.430 MOT-TP GR-FF-FF4,8	1,00			--
0001	MPVR08275		HANDLE TOPPER 500 GREEN IPC	1,00			--
0002	VTVT71961		SCREW PFU TMT PHL 5X20 ZN NERA	1,00			--
0003	VTVT40007		SCREW PAT TMT PHL 5X55 BLACK	2,00			--
0004	MPVR08293		COVER TOPPER 500 NE	1,00			--
0005	VTVT88715		SCREW PAT TCB 4,5X20 ZN BLACK	1,00		28/01/2021	--
0005	VTVT01453		SCREW VITE TC PZ 4,2X16 ZN NERA	1,00	29/01/2021		--
0006	VTVT71961		SCREW PFU TMT PHL 5X20 ZN NERA	2,00			--
0007	MECI72195		ANTISPLASH SWITCH	1,00			--
0008	MECB28672		ELECTRIC CORD 2X1 MT.8,5	1,00			--
0009	MEVR28673		FAIRLEAD	1,00			--
0010	MPVR28690		CABLE CLAMP	1,00			--
0011	VTVT71961		SCREW PFU TMT PHL 5X20 ZN NERA	1,00			--
0012	MECB01161		TERMINAL BOARD 300-500 2P RAD	1,00			--
0013	FTDP38064		FILTER MTP/65 H=15 D.95	1,00			--
0014	VTVT71971		SCREW PAT TMT PHL 5X35 BLACK	6,00			--
0015	MPVR09134		COVERING 99 S/HOLES GREEN-IPC	1,00		28/01/2021	--
0015	MPVR12694		GREEN COVER 99 S/FORI VERDE-IPC V2	1,00	29/01/2021		--
0016	MPVR38371		WASHER H8 D85X65	1,00			--
0017	MPVR86282		RING MOTORE H=7 (15) PLAST.	1,00			--
0018	MPVR08115		CAP /ADAPTER F/MOT.BYPASS AU	1,00			--
0019	FTDP38066		FILTER PHONO H=75	1,00		27/02/2024	--
0019	KTRI06586		KIT FILTRO FONO D200X105X20+D	1,00	28/02/2024		--
0020	VTVT71971		SCREW PAT TMT PHL 5X35 BLACK	6,00			--
0021	MPVR08199		MOTOR SUPPORT 08 X MOT.WL BLACK	1,00			--
0022	GUVR00413		"C" GASKET D.130	1,00			--
0023	MOMO00402		MOTOR BS282 WL 1000W 220-240	1,00			--
0024	GUGO40052		L-GASKET D.130 H=9	1,00			--
0025	MPVR89143		OUTDISTANCED SINGLE-STAGE H=13MM	1,00			--
0026	GUGO28683		"L" GASKET W/O HOLES H=5,5	1,00			--
0027	FTDP38067		WASHER MTP 65MM 18D 230X145	1,00		27/02/2024	--
0027	FTDP00888		FILTER FONO D230X145X20	1,00	28/02/2024		--
0028	PMBA00625		BASE 500 SING./STAGE W/BL.GAS.	1,00			--



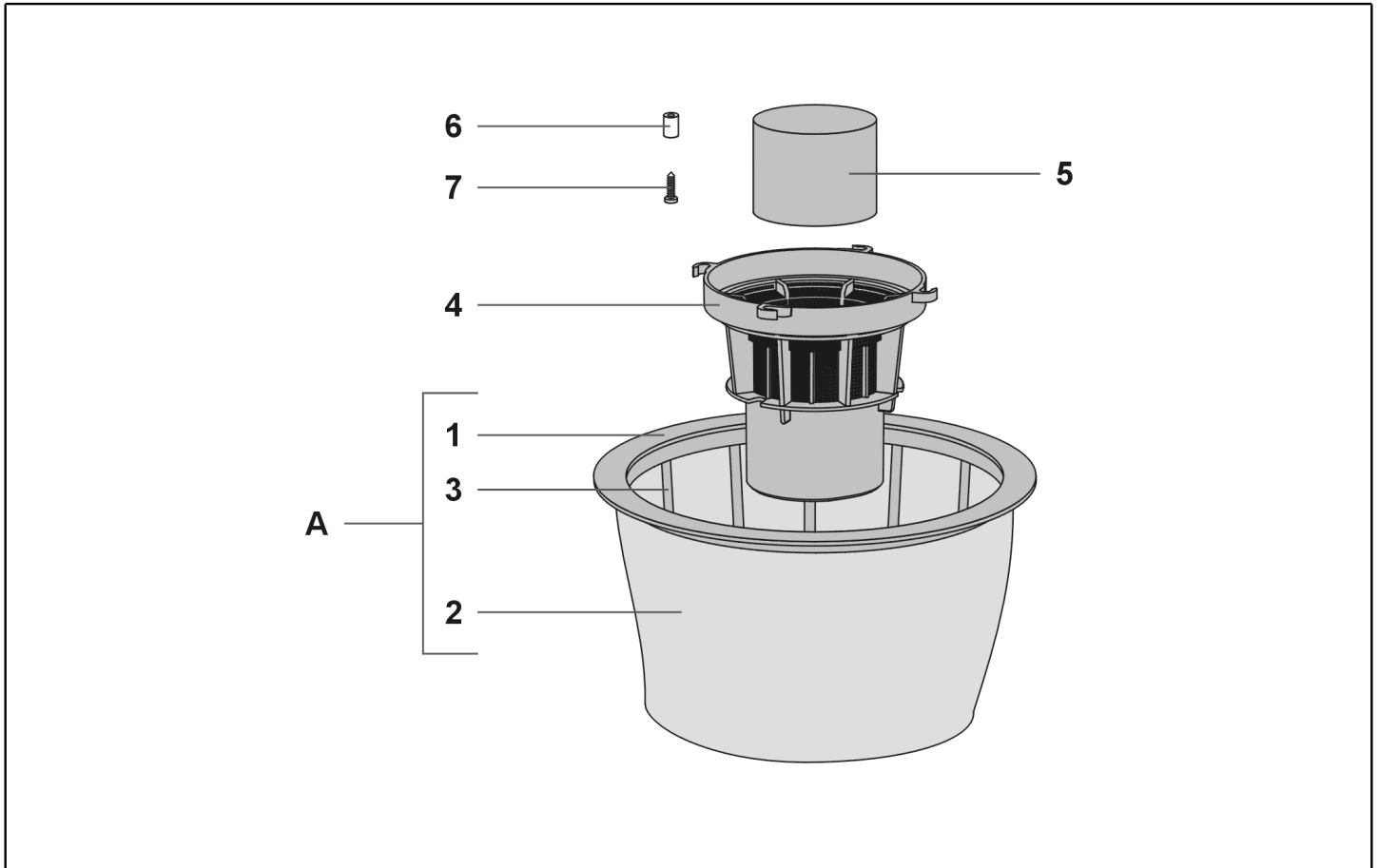
Ref. K	Part n.	Part n. 2	Description	Quantity	Validity		Price
					From	To	
*	F5VR00127		CLAMP	1,00			--
*	MECB01828		WIRING 40CM MOTOR POKE-IN-TP	1,00			--
0001	MPVR08275		HANDLE TOPPER 500 GREEN IPC	1,00			--
0002	VTVT71961		SCREW PFU TMT PHL 5X20 ZN NERA	1,00			--
0003	MECI72195		ANTISPLASH SWITCH	1,00			--
0004	VTVT71961		SCREW PFU TMT PHL 5X20 ZN NERA	2,00			--
0005	VTVT40007		SCREW PAT TMT PHL 5X55 BLACK	2,00			--
0006	MPVR08293		COVER TOPPER 500 NE	1,00			--
0007	VTVT88715		SCREW PAT TCB 4,5X20 ZN BLACK	1,00		21/01/2020	--
0007	VTVT01453		SCREW VITE TC PZ 4,2X16 ZN NERA	1,00	22/01/2020		--
0008	MECB28672		ELECTRIC CORD 2X1 MT.8,5	1,00			--
0009	MEVR28673		FAIRLEAD	1,00			--
0010	MPVR28690		CABLE CLAMP	1,00			--
0011	VTVT71961		SCREW PFU TMT PHL 5X20 ZN NERA	1,00			--
0012	MECB01161		TERMINAL BOARD 300-500 2P RAD	1,00			--
0013	FTDP38064		FILTER MTP/65 H=15 D.95	1,00			--
0014	VTVT71971		SCREW PAT TMT PHL 5X35 BLACK	6,00			--
0015	MPVR09134		COVERING 99 S/HOLES GREEN-IPC	1,00		21/01/2020	--
0015	MPVR12694		GREEN COVER 99 S/FORI VERDE-IPC V2	1,00	22/01/2020		--
0016	MPVR38371		WASHER H8 D85X65	1,00			--
0017	MPVR86282		RING MOTORE H=7 (15) PLAST.	1,00			--
0018	FTDP38066		FILTER PHONO H=75	1,00		27/02/2024	--
0018	KTRI06586		KIT FILTRO FONO D200X105X20+D	1,00	28/02/2024		--
0019	VTVT71971		SCREW PAT TMT PHL 5X35 BLACK	6,00			--
0020	VTVT71961		SCREW PFU TMT PHL 5X20 ZN NERA	4,00			--
0021	MPVR08419		MOTOR SUPPORT 500 BLACK	1,00			--
0022	GUGO28683		"L" GASKET W/O HOLES H=5,5	1,00			--
0023	MOMO28716		MOT BD302 1000W 220-240V 50-60HZ	1,00			--
0024	GUGO28683		"L" GASKET W/O HOLES H=5,5	1,00			--
0025	FTDP38067		WASHER MTP 65MM 18D 230X145	1,00		27/02/2024	--
0025	FTDP00888		FILTER FONO D230X145X20	1,00	28/02/2024		--
0026	PMBAA00472		BASE 500 W/GASKET BLACK	1,00			--



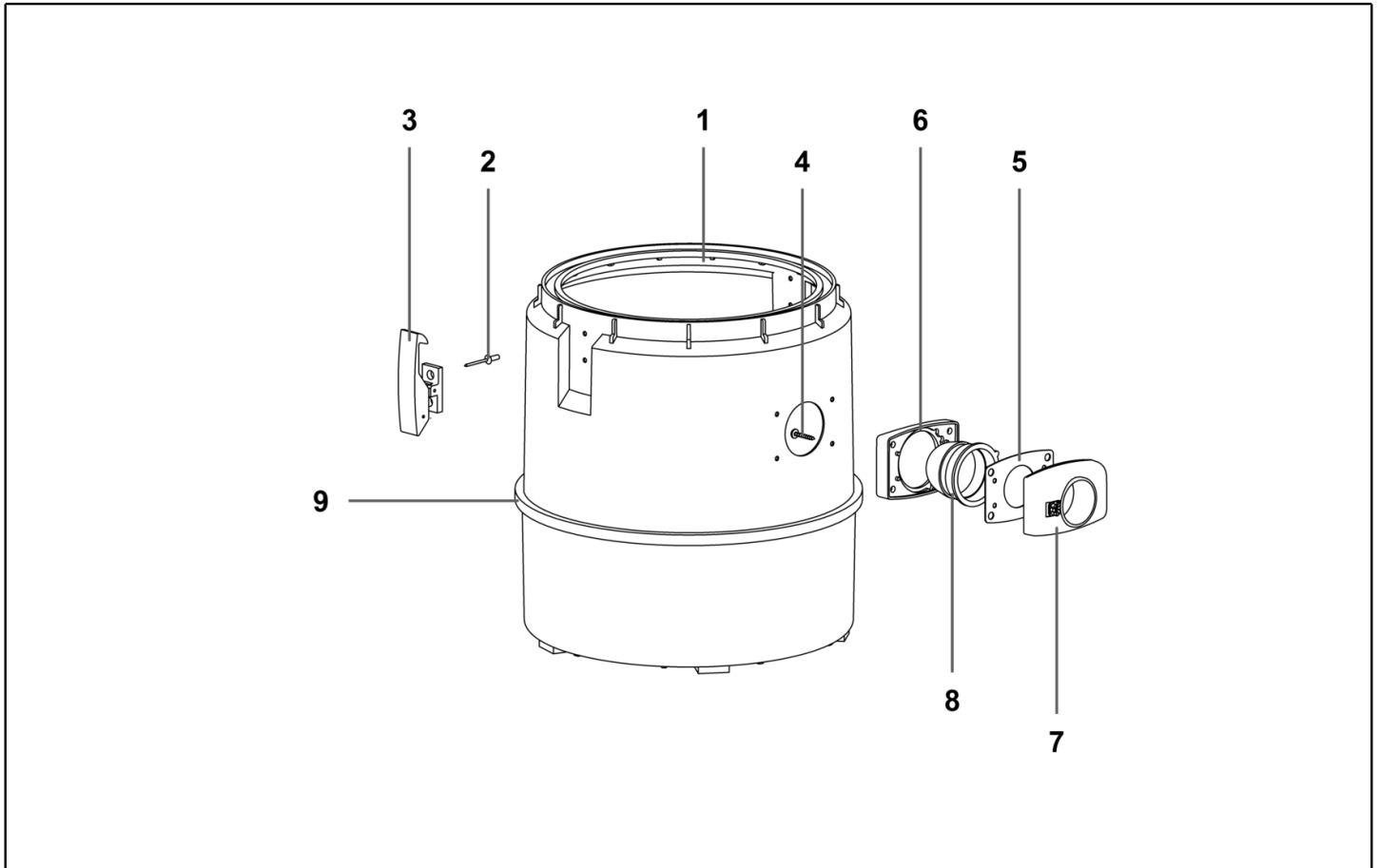
Ref. K	Part n.	Part n. 2	Description	Quantity	Validity		Price
					From	To	
*	F5VR00127		CLAMP	1,00			--
*	MECB02381		MOTOR WIRING 40CM TP DOMEL	1,00			--
0001	MPVR08275		HANDLE TOPPER 500 GREEN IPC	1,00			--
0002	VTVT71961		SCREW PFU TMT PHL 5X20 ZN NERA	1,00			--
0003	MECI72195		ANTISPLASH SWITCH	1,00			--
0004	VTVT71961		SCREW PFU TMT PHL 5X20 ZN NERA	2,00			--
0005	VTVT40007		SCREW PAT TMT PHL 5X55 BLACK	2,00			--
0006	MPVR08293		COVER TOPPER 500 NE	1,00			--
0007	VTVT01453		SCREW VITE TC PZ 4,2X16 ZN NERA	1,00			--
0008	MECB28672		ELECTRIC CORD 2X1 MT.8,5	1,00			--
0009	MEVR28673		FAIRLEAD	1,00			--
0010	MPVR28690		CABLE CLAMP	1,00			--
0011	VTVT71961		SCREW PFU TMT PHL 5X20 ZN NERA	1,00			--
0012	MECB01161		TERMINAL BOARD 300-500 2P RAD	1,00			--
0013	FTDP38064		FILTER MTP/65 H=15 D.95	1,00			--
0014	VTVT71971		SCREW PAT TMT PHL 5X35 BLACK	6,00			--
0015	MPVR12694		GREEN COVER 99 S/FORI VERDE-IPC V2	1,00			--
0016	MPVR38371		WASHER H8 D85X65	1,00			--
0017	MPVR86282		RING MOTORE H=7 (15) PLAST.	1,00			--
0018	MPVR13516		RING MOTORE H=26 DOMEL	1,00			--
0019	KTRI06586		KIT FILTRO FONO D200X105X20+D	1,00			--
0020	VTVT71971		SCREW PAT TMT PHL 5X35 BLACK	6,00			--
0021	MPVR08199		MOTOR SUPPORT 08 X MOT.WL BLACK	1,00			--
0022	GUVR00630		"C" GASKET D.130	1,00			--
0023	MOMO01030		MOTOR BS2D 1000W 220-240V 50/60	1,00			--
0024	MPVR13574		GASKET MOT "L" 135 H32 GOMMA TE	1,00			--
0025	FTDP00888		FILTER FONO D230X145X20	1,00			--
0026	PMBA00625		BASE 500 SING./STAGE W/BL.GAS.	1,00			--



Ref. K	Part n.	Part n. 2	Description	Quantity	Validity		Price
					From	To	
A	FTDP00079		FILTERING KIT ANELLO+FIL+CEST.300 CONIC	1,00			--
0001	MPVR35494		FILTER RING 300	1,00			--
0002	FTDP00534		FILTER POLY AN3-500 CON REG H230	1,00			--
0003	MPVR37038		CONICAL BASKET 300	1,00			--
0004	MPVR40521		NET ANTI FOAM BODY HIGH	1,00			--
0005	RCGR40008		HIGH FLOAT 99 W/GASKET 37 SHA	1,00			--
0006	MPVR35796		BUSHING PLASTIC SLEEVE D.8	4,00			--
0007	VTVT36751		SCREW SCREW PAT TMT PHL 5X25	4,00			--

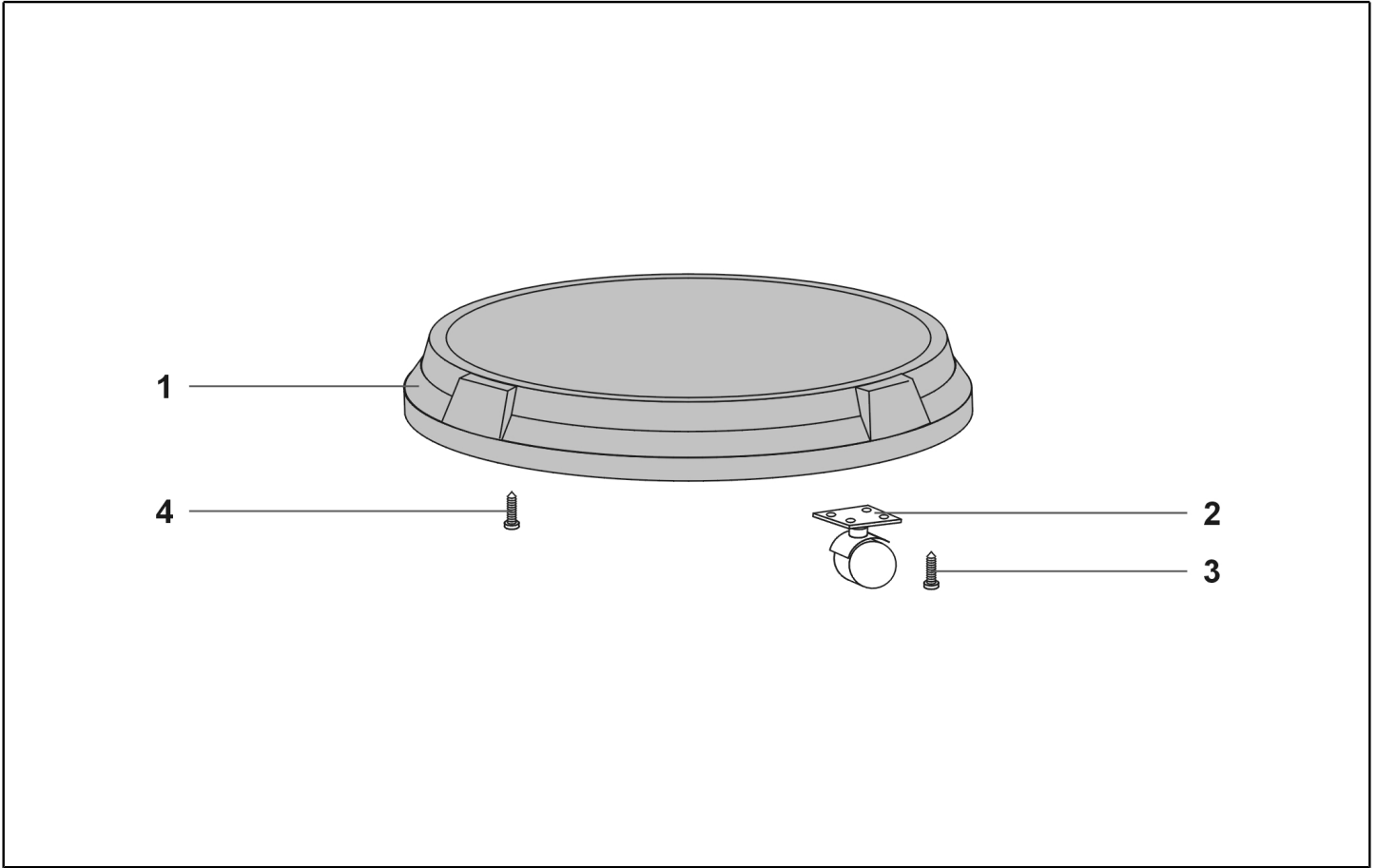


Ref. K	Part n.	Part n. 2	Description	Quantity	Validity		Price
					From	To	
A	KTRI02142		KIT RING+FILTER+BASKET300 SAN.	1,00			--
0001	MPVR35494		FILTER RING 300	1,00			--
0002	FTDP00547		FILTER POLY AN3-500 CON REG H180	1,00			--
0003	MPVR35490		LOWER CONICAL BASKET 300	1,00			--
0004	MPVR40521		NET ANTIFOAM BODY HIGH	1,00			--
0005	RCGR40008		HIGH FLOAT 99 W/GASKET 37 SHA	1,00			--
0006	MPVR35796		BUSHING PLASTIC SLEEVE D.8	4,00			--
0007	VTVT36751		SCREW SCREW PAT TMT PHL 5X25	4,00			--

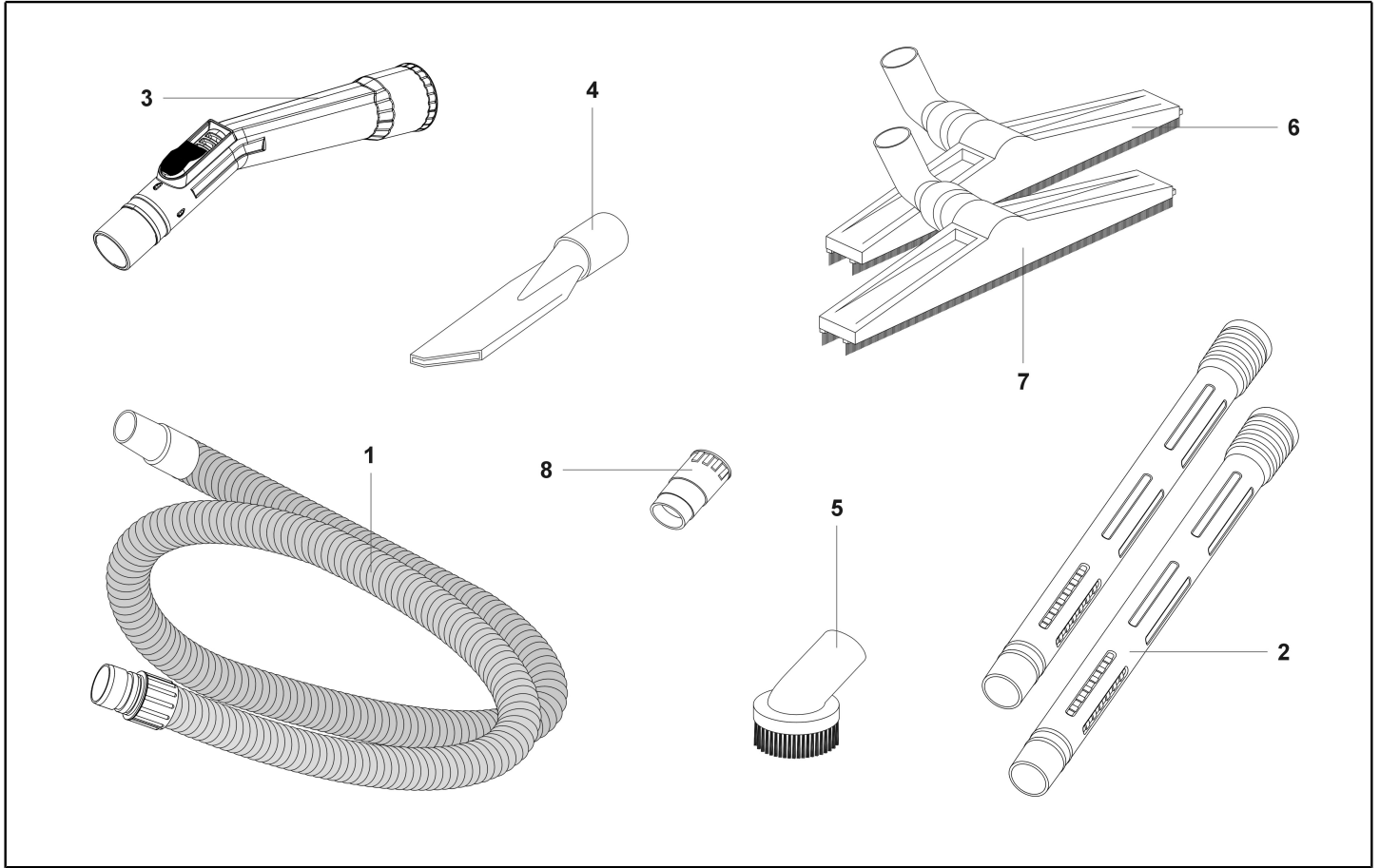


Ref. K	Part n.	Part n. 2	Description	Quantity	Validity		Price
					From	To	
0001	PMVR06252		DRUM 99/E NERO	1,00			--
0002	VTVR71992		RIVET RIVET 4,8X17	4,00			--
0003	CHVR28735		COMPLETE PLASTIC HOOK BLACK	2,00			--
0004	VTVT71966		SCREW PAT TMT PHL 5X30 BLACK	4,00			--
0005	GUGO28701		GASKET D.38	1,00			--
0006	GUGO28736		GASKET R 205 BLACK	1,00			--
0007	MPVR09047		PIPE UNION R155 BLACK C/PUL.GR-IPC	1,00			--
0008	MPVR28696		DEFLECTOR 99	1,00			--
0009	MPVR08943		SHOCKPROOF BAND ANYI-SCHOCK BAND GREEN IP	1,00			--

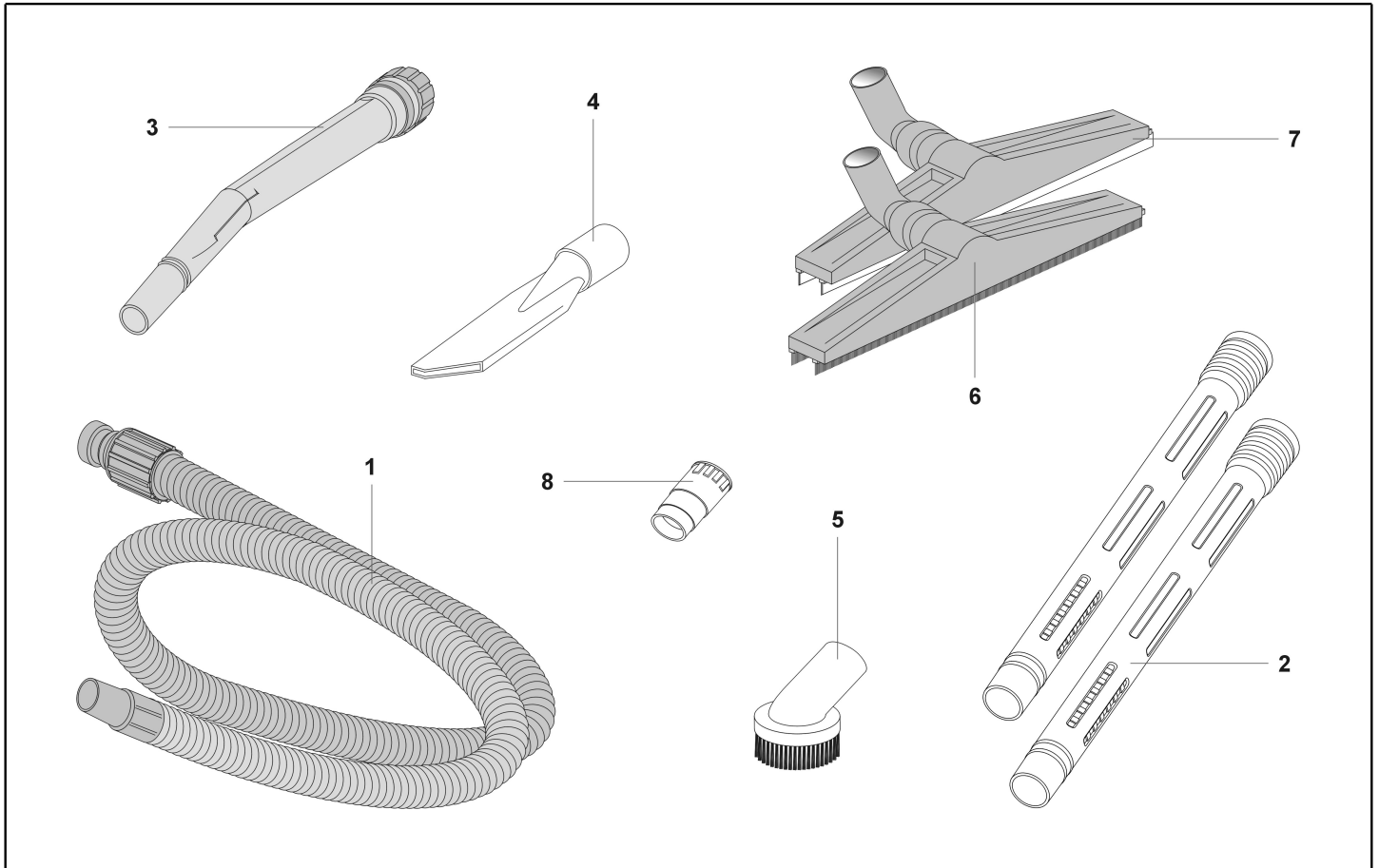




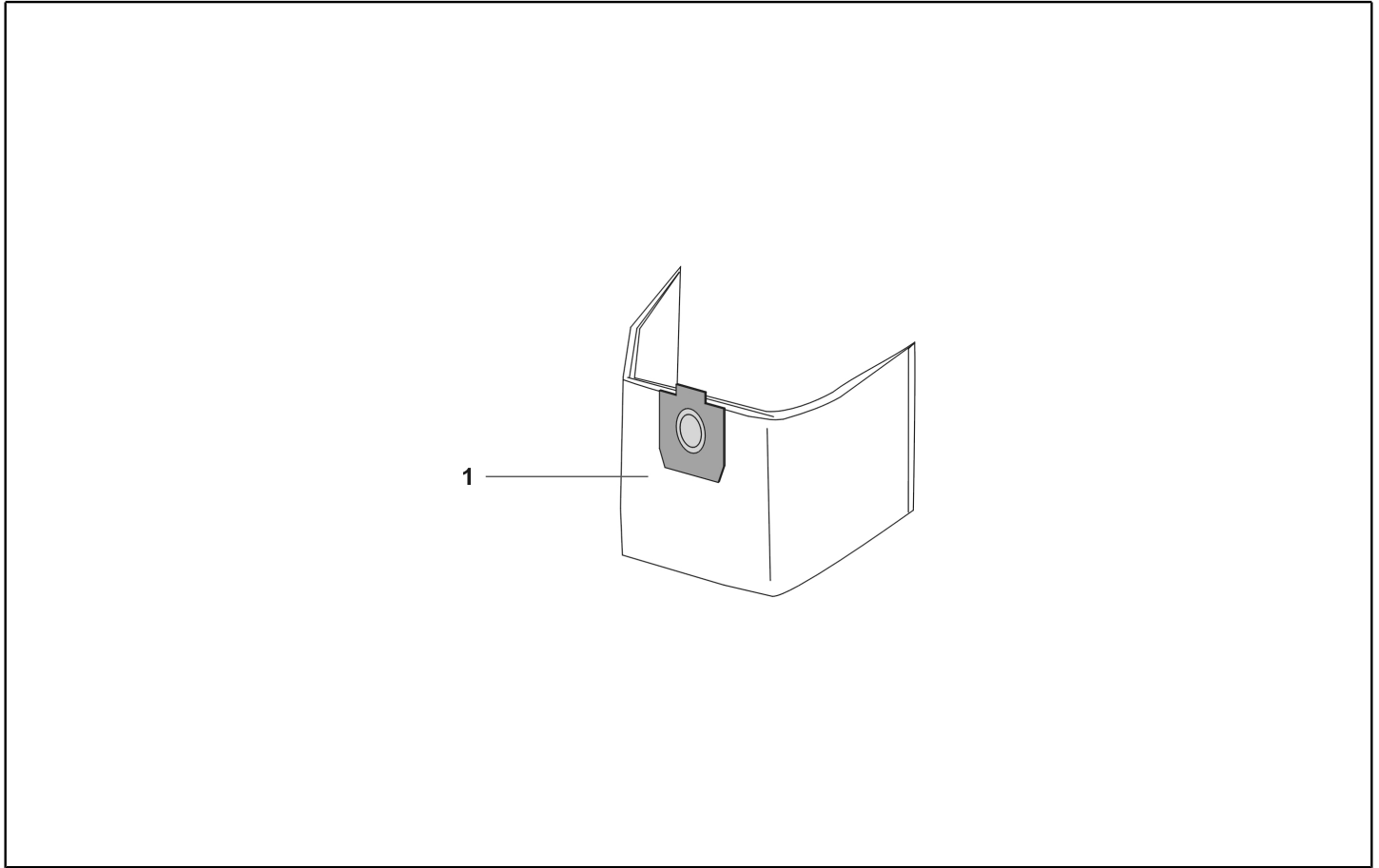
Ref. K	Part n.	Part n. 2	Description	Quantity	Validity		Price
					From	To	
0001	MPVR09728		TROLLEY BODY 99/E BLACK	1,00			--
0002	RTRT00444		WHEEL D.50 W/SQUARE STAT.	5,00			--
0003	VTVT72114		SCREW TC POZ 4X15 AC ZN BLACK	20,00			--
0004	VTVT72114		SCREW TC POZ 4X15 AC ZN BLACK	5,00			--



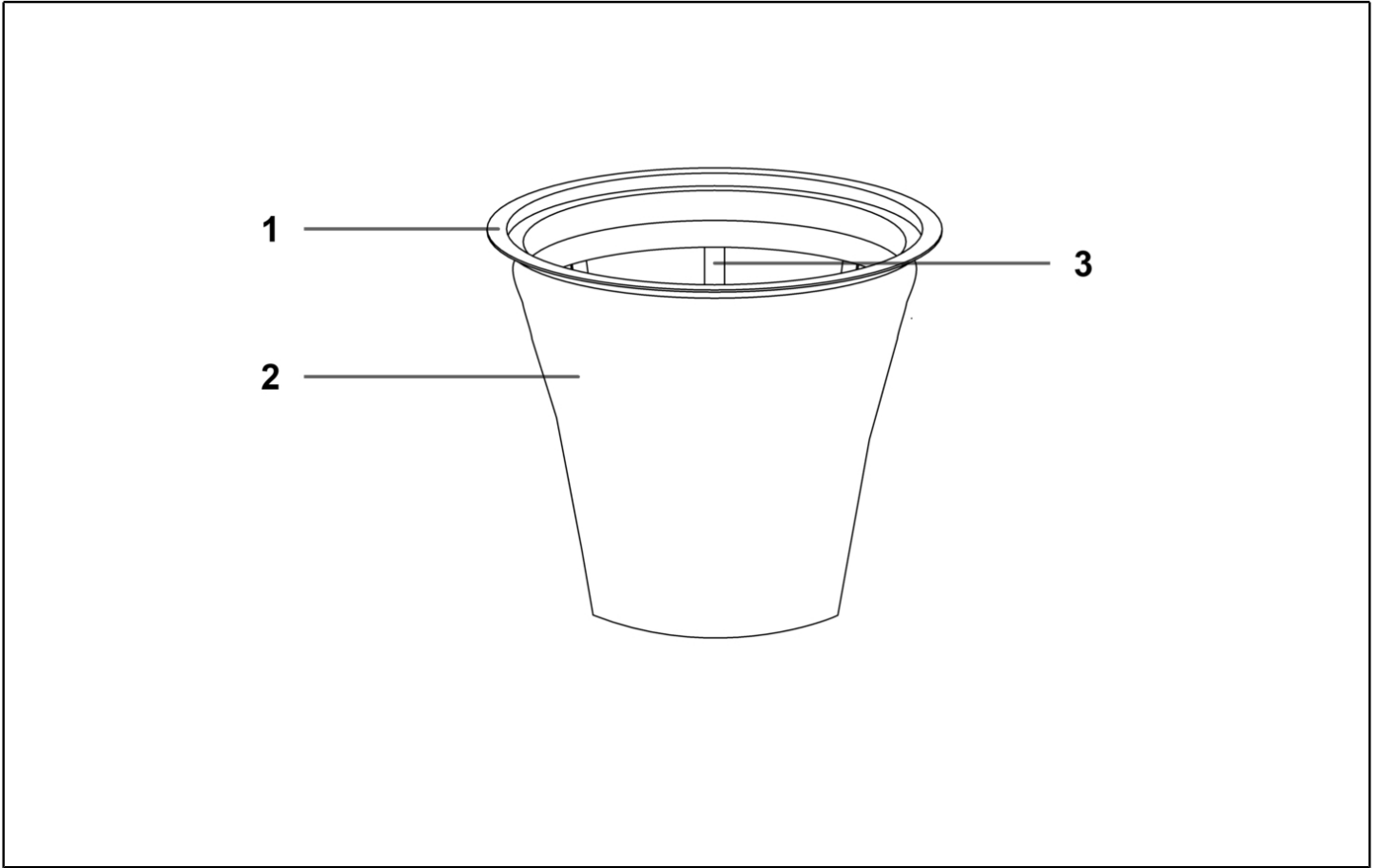
Ref. K	Part n.	Part n. 2	Description	Quantity	Validity		Price
					From	To	
0001	TBFX00542		FLEX HOSE N2,5-3838G38	1,00			--
0002	LAFN43048		EXTENSION ALL-PL DIA.40 MT. 0,50 NE	2,00			--
0003	MPVR43047		EXTENSION CURVED EXTENSION	1,00			--
0004	SPPV00156		FLAT LANCE D.38	1,00			--
0005	SPPV43052		ROUND TOOL D.38	1,00			--
0006	SPPV43050		BRISTLES BRUSH D.40	1,00			--
0007	SPPV43051		CURVED WET TOOL 400 D.38	1,00			--
0008	MPVR43049		PVC ADAPTOR D.38	1,00			--



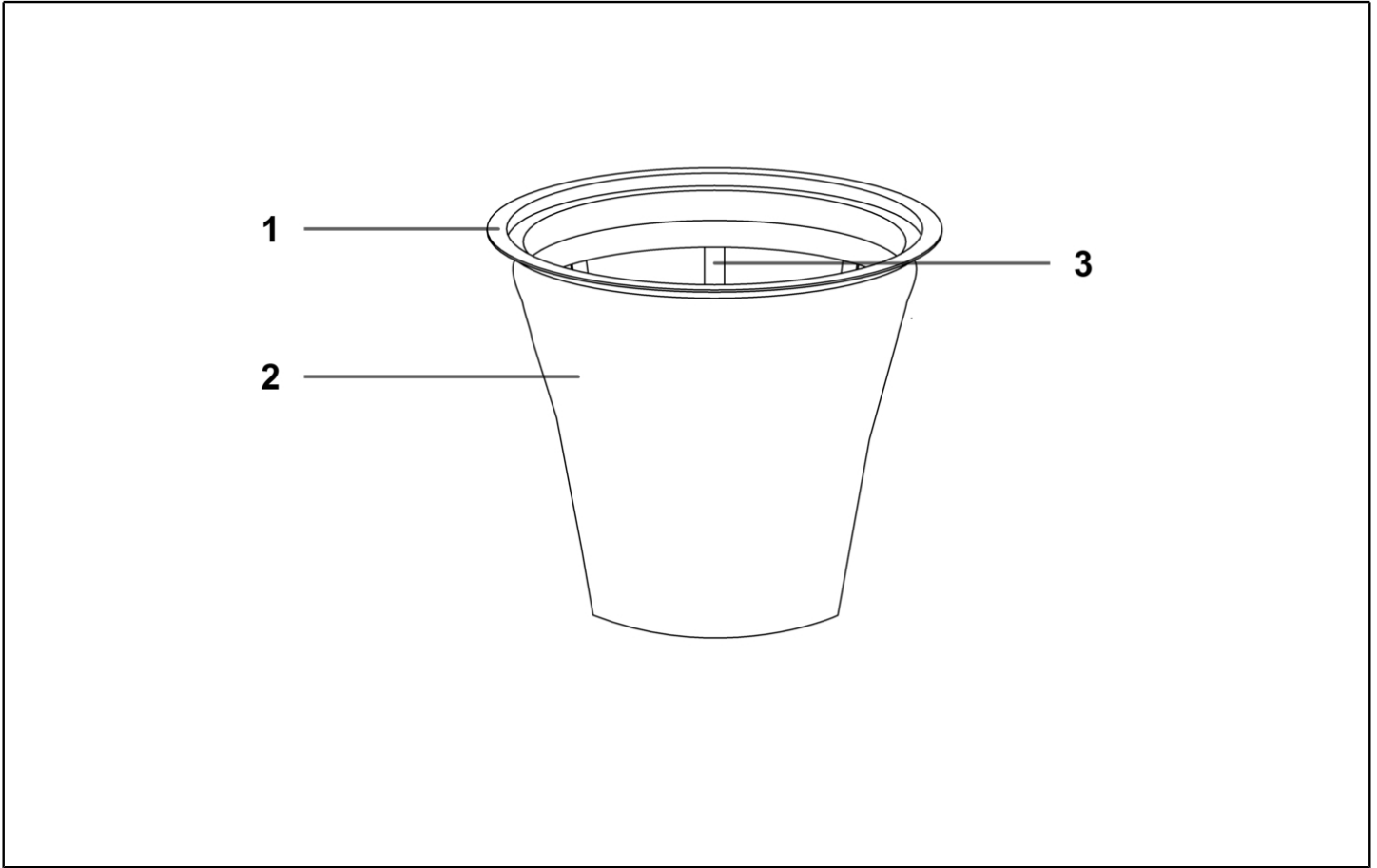
Ref. K	Part n.	Part n. 2	Description	Quantity	Validity		Price
					From	To	
0001	TBFX01166		FLEXIBLE HOSE N2,5-3838G38 TYPE 3	1,00			--
0002	LAFN43048		EXTENSION ALL-PL DIA.40 MT. 0,50 NE	2,00			--
0003	MPVR43047		EXTENSION CURVED EXTENSION	1,00			--
0004	SPPV00156		FLAT LANCE D.38	1,00			--
0005	SPPV43052		ROUND TOOL D.38	1,00			--
0006	SPPV43050		BRISTLES BRUSH D.40	1,00			--
0007	SPPV43051		CURVED WET TOOL 400 D.38	1,00			--
0008	MPVR43049		PVC ADAPTOR D.38	1,00			--



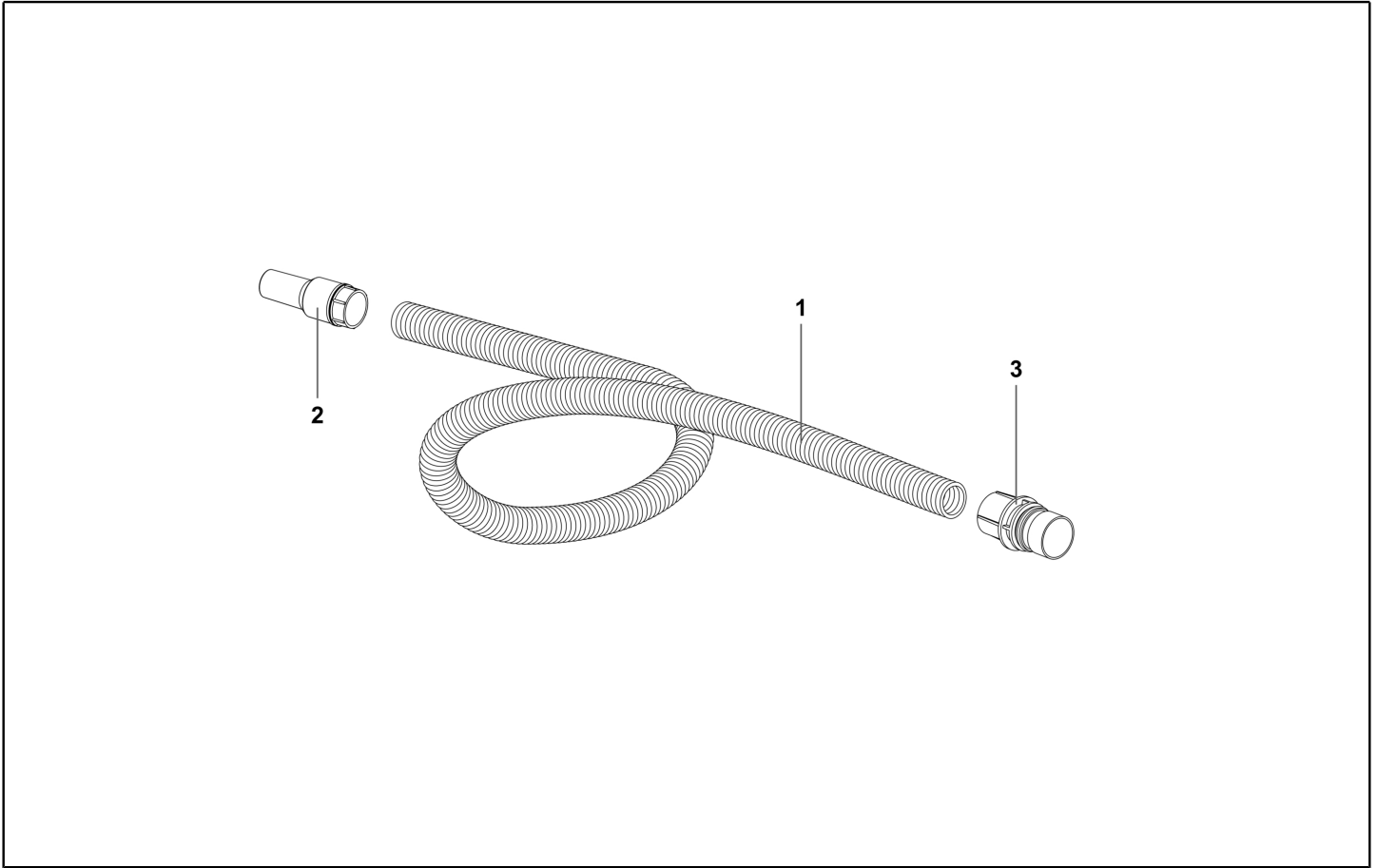
Ref. K	Part n.	Part n. 2	Description	Quantity	Validity		Price
					From	To	
0001	FTDP00462		MICROFIBER FILTER BAG 338-SC-TEX	1,00			--
0001	FTDP00462		MICROFIBER FILTER BAG 338-SC-TEX	1,00			--



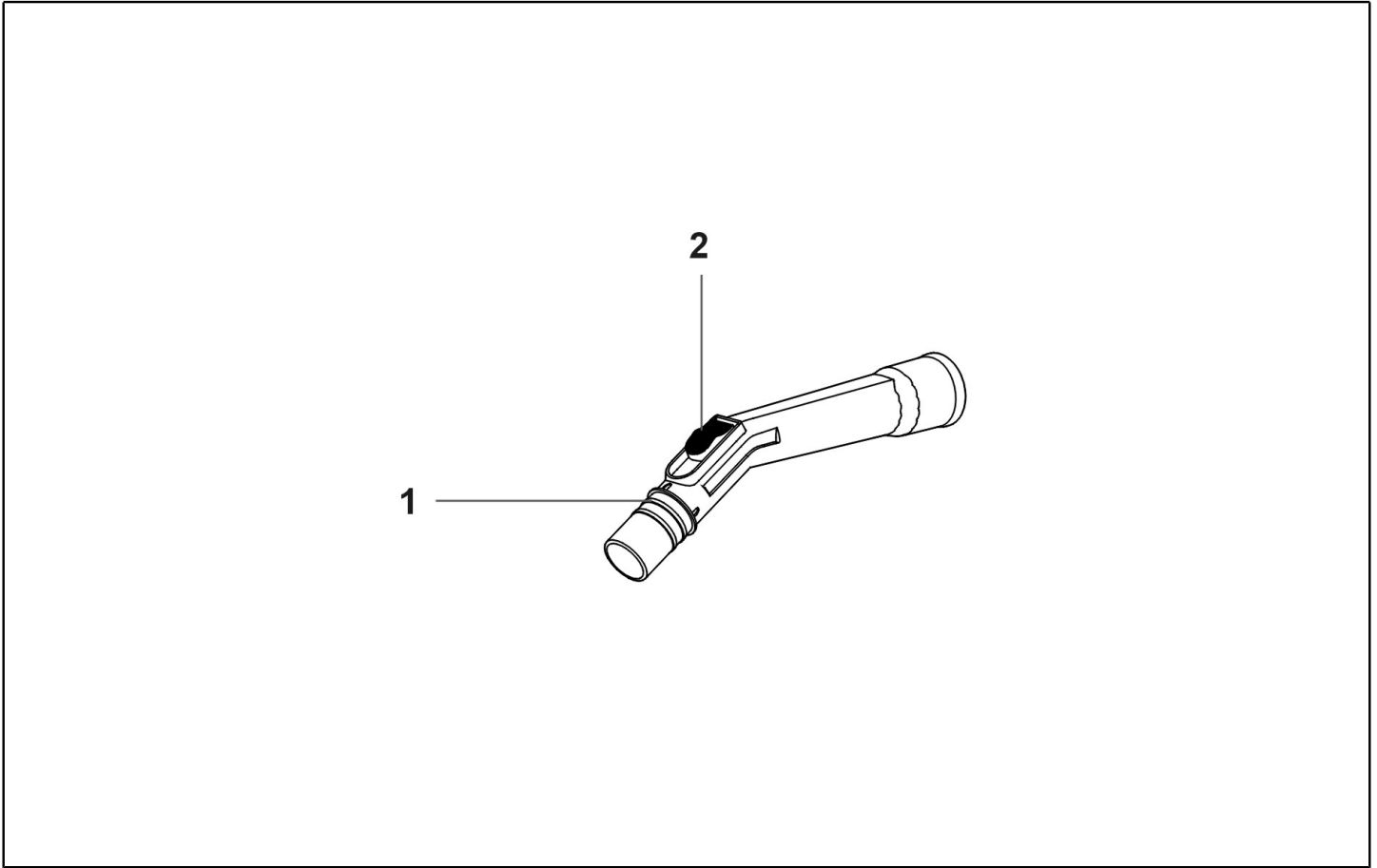
Ref. K	Part n.	Part n. 2	Description	Quantity	Validity		Price
					From	To	
0001	MPVR35494		FILTER RING 300	1,00			--
0002	FTDP00534		FILTER POLY AN3-500 CON REG H230	1,00			--
0003	MPVR37038		CONICAL BASKET 300	1,00			--



Ref. K	Part n.	Part n. 2	Description	Quantity	Validity		Price
					From	To	
0001	MPVR35494		FILTER RING 300	1,00			--
0002	FTDP00547		FILTER POLY AN3-500 CON REG H180	1,00			--
0003	MPVR35490		LOWER CONICAL BASKET 300	1,00			--

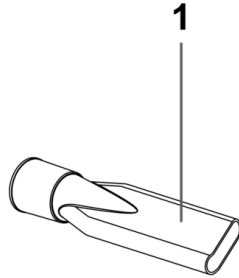


Ref. K	Part n.	Part n. 2	Description	Quantity	Validity		Price
					From	To	
0001	TBFX01163		BLACK FLEX.HOSE 38 X METER TYPE 3	2,37			--
0002	RCVR72221		ROTATING CUFF D.38/D.38	1,00			--
0003	MPVR07479		SLEEVE TUBOFLEX D.38/D.38 C/OR	1,00			--

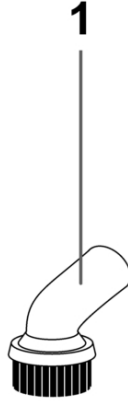


Ref. K	Part n.	Part n. 2	Description	Quantity	Validity		Price
					From	To	
0001	MPVR10505		CURVE PLAST DIA 38	1,00			--
0002	MPVR06762		BUTTON REGOLAZIONE ARIA G5	1,00			--

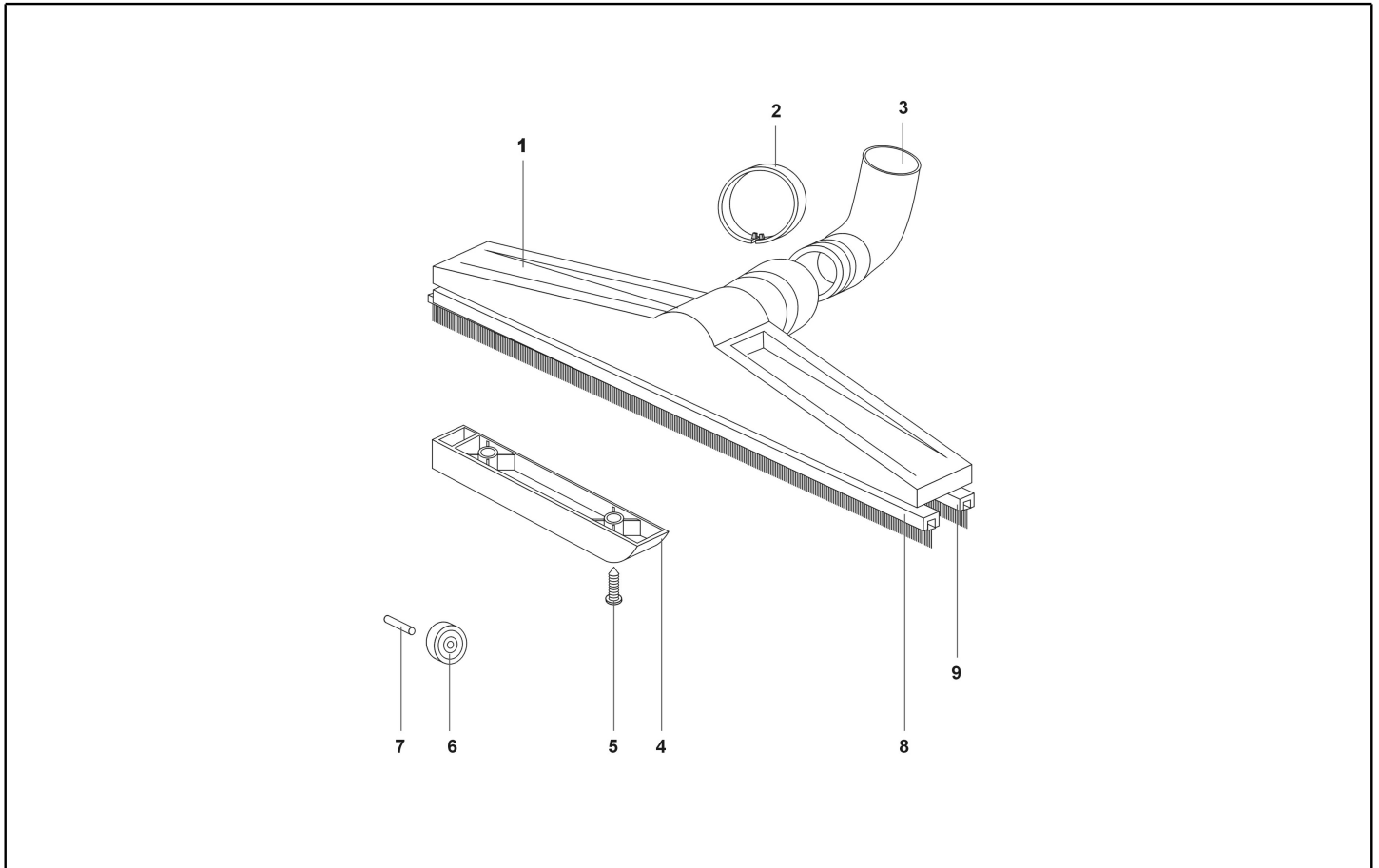




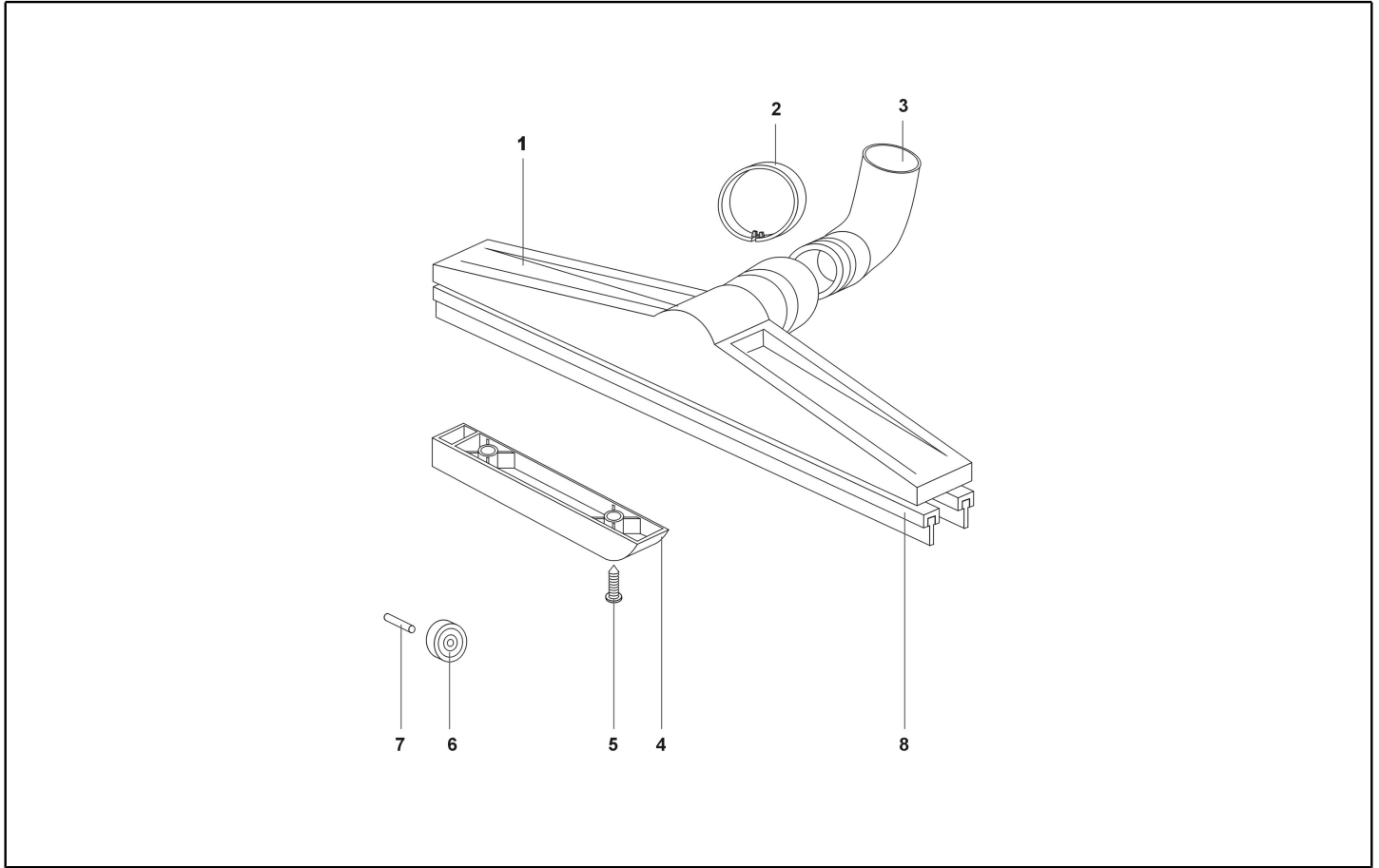
Ref. K	Part n.	Part n. 2	Description	Quantity	Validity		Price
					From	To	
0001	SPPV00156		FLAT LANCE D.38	2,00			--
0001	SPPV00156		FLAT LANCE D.38	2,00			--



Ref. K	Part n.	Part n. 2	Description	Quantity	Validity		Price
					From	To	
0001	SPPV43052		ROUND TOOL D.38	1,00			--
0001	SPPV43052		ROUND TOOL D.38	1,00			--



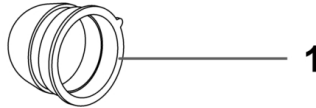
Ref. K	Part n.	Part n. 2	Description	Quantity	Validity		Price
					From	To	
0001	MPVR06726		BODY SPAZZOLA 400	1,00			--
0002	MPVR49176		ELASTIC RING NUT BRUSH 400	1,00			--
0003	MPVR02289		BRUSH 400 ELBOW CLUTCH D.38	1,00			--
0004	MPVR06728		SUPPORT PORTARUOTA SPAZZ.400	2,00			--
0005	VTVT01193		SCREW PAT TMT PHL 5X15 ZN BLACK	4,00			--
0006	RTRT87117		WHEEL D.25 BRUSH 300/400	2,00			--
0007	LAFN86068		PIVOT 5 X 17,5 ZN	2,00			--
0008	SPPV76601		STRIP L=395	1,00			--
0009	SPPV76599		GUIDE LIST W/STRIP L=395	1,00			--



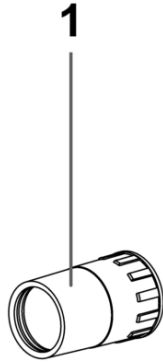
Ref. K	Part n.	Part n. 2	Description	Quantity	Validity		Price
					From	To	
0001	MPVR06726		BODY SPAZZOLA 400	1,00			--
0002	MPVR49176		ELASTIC RING NUT BRUSH 400	1,00			--
0003	MPVR02289		BRUSH 400 ELBOW CLUTCH D.38	1,00			--
0004	MPVR06728		SUPPORT PORTARUOTA SPAZZ.400	2,00			--
0005	VTVT01193		SCREW PAT TMT PHL 5X15 ZN BLACK	4,00			--
0006	RTRT87117		WHEEL D.25 BRUSH 300/400	2,00			--
0007	LAFN86068		PIVOT 5 X 17,5 ZN	2,00			--
0008	MPVR38641		GUIDE LIST W/WET L=395	2,00			--



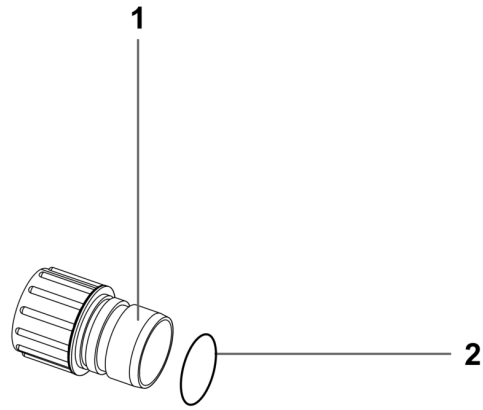
Ref. K	Part n.	Part n. 2	Description	Quantity	Validity		Price
					From	To	
0001	VTVT36751		SCREW SCREW PAT TMT PHL 5X25	1,00			--
0001	VTVT36751		SCREW SCREW PAT TMT PHL 5X25	1,00			--



Ref. K	Part n.	Part n. 2	Description	Quantity	Validity		Price
					From	To	
0001	MPVR28696		DEFLECTOR 99	1,00			--
0001	MPVR28696		DEFLECTOR 99	1,00			--



Ref. K	Part n.	Part n. 2	Description	Quantity	Validity		Price
					From	To	
0001	MPVR43049		PVC ADAPTOR D.38	1,00			--
0001	MPVR43049		PVC ADAPTOR D.38	1,00			--



Ref. K	Part n.	Part n. 2	Description	Quantity	Validity		Price
					From	To	
0001	MPVR13223		SLEEVE TUBOFLEX D.38/D.38	1,00	11/06/2021		--
0002	GUGO00408		O-RING D.INT. 44,12X2,62 NBR	1,00			--