

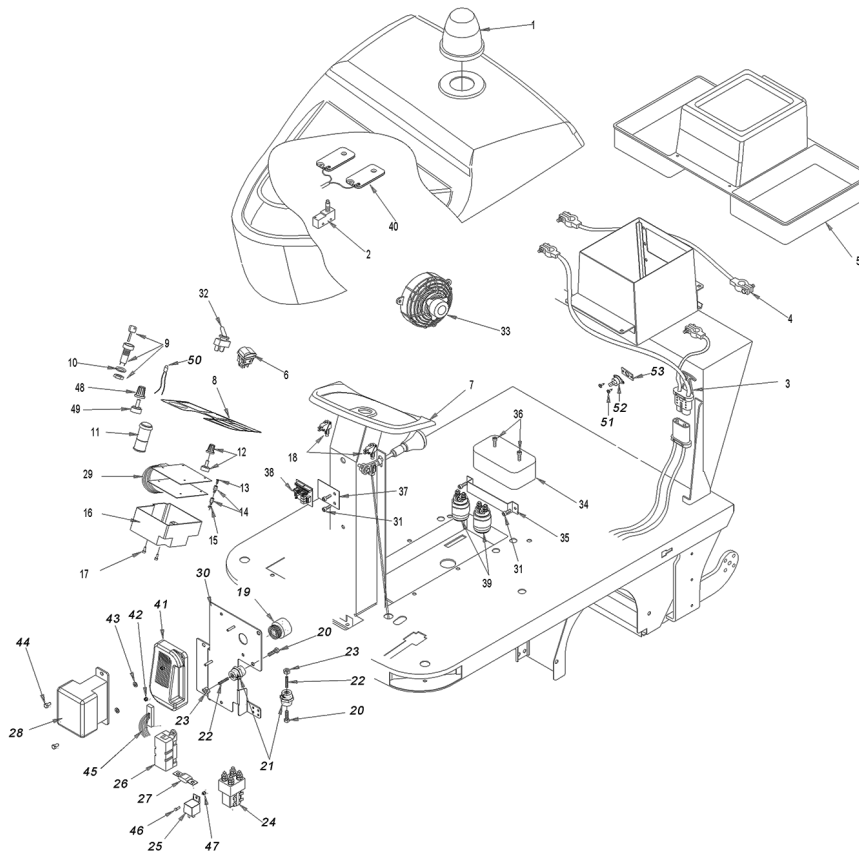


IPC

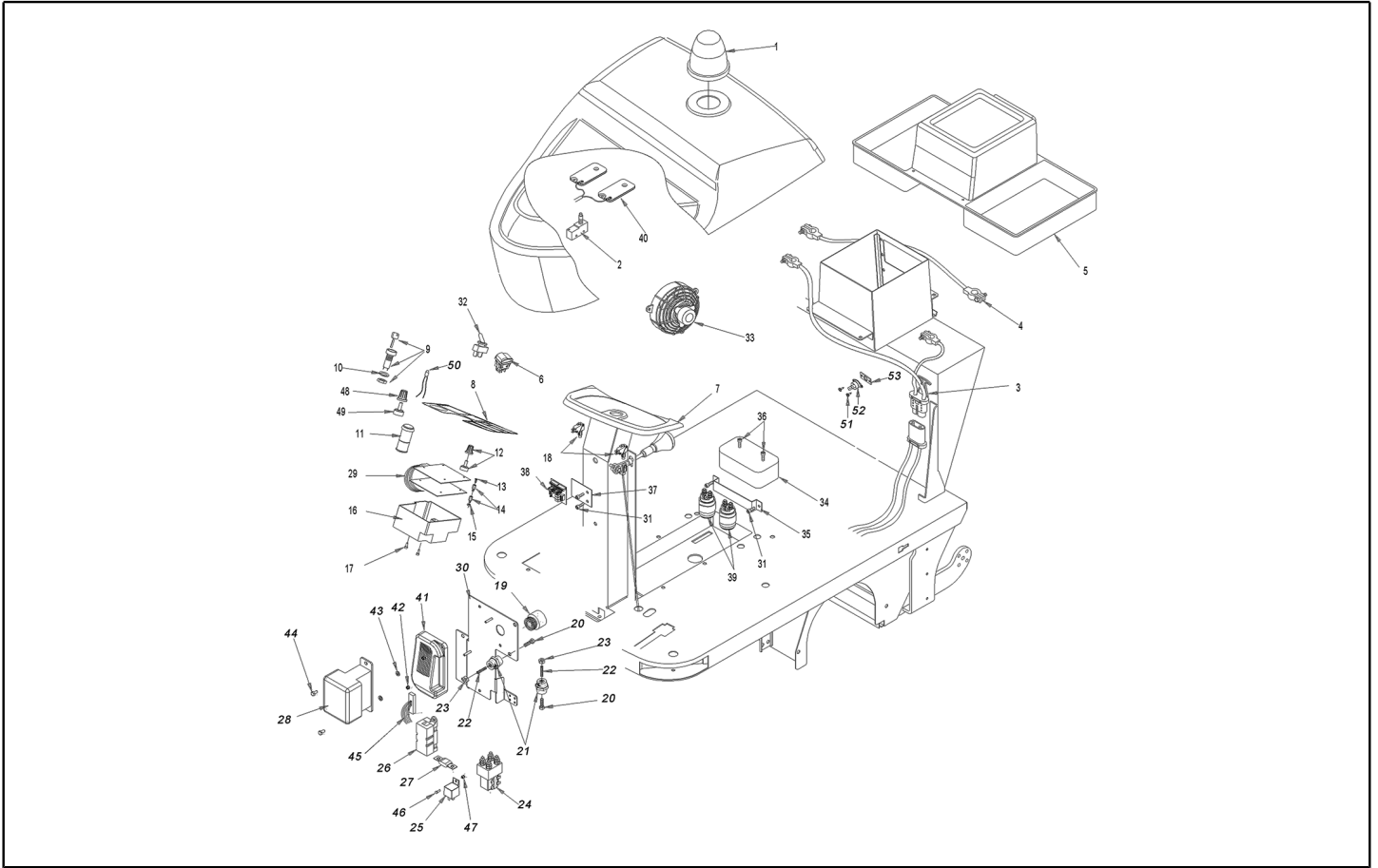
Spare parts list

Ref: MSUB00404

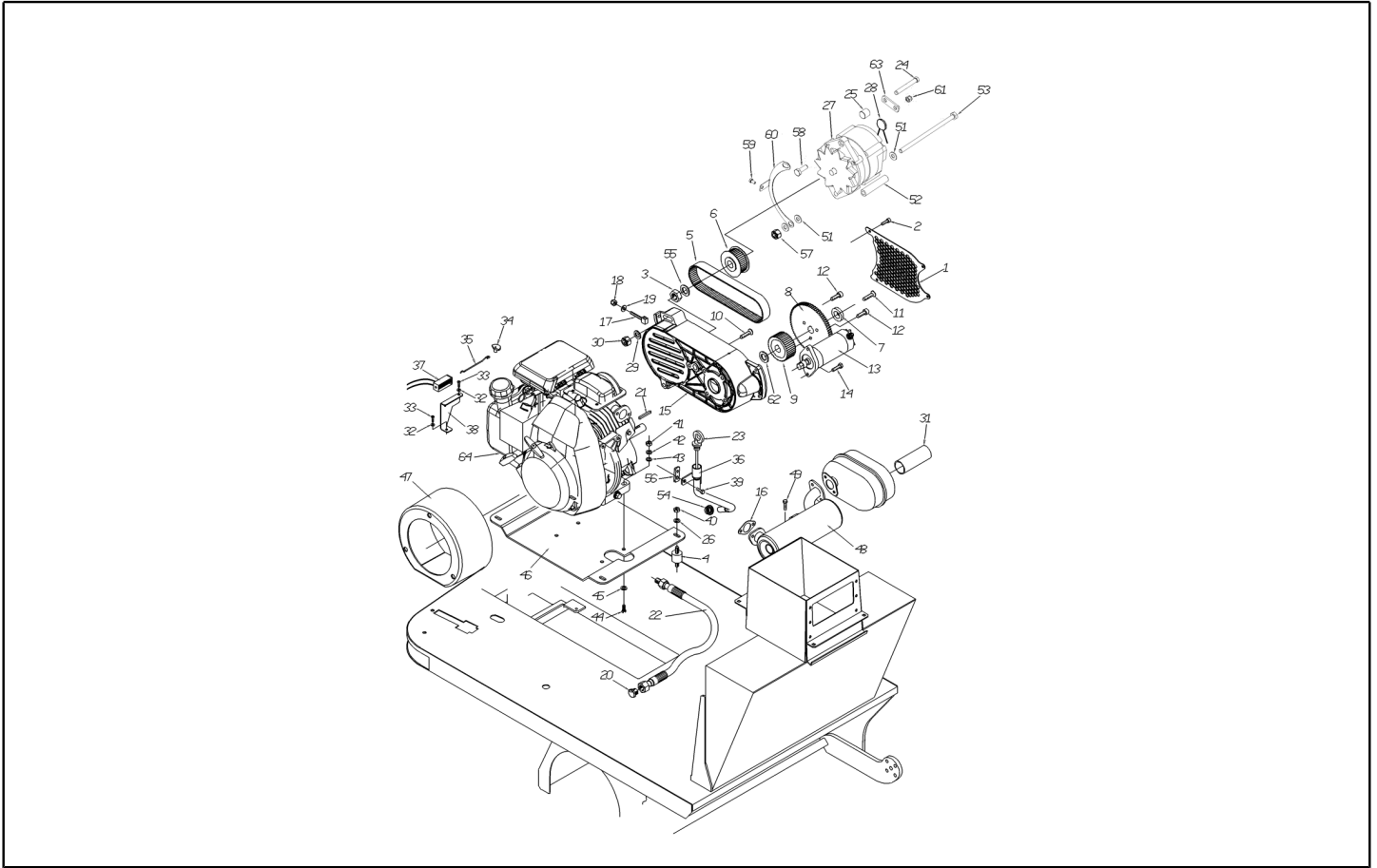
Model: SWEEPER 1050 DP GR/VE 2SP IPC



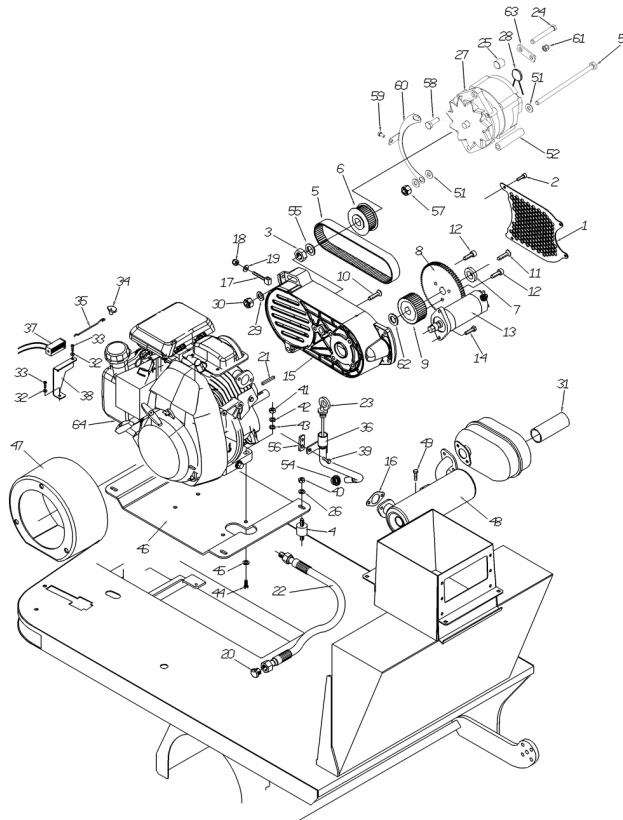
Ref. K	Part n.	Part n. 2	Description	Quantity	Validity		Price
					From	To	
0001	MEVR00935		FLASHING LIGHT G1050	1,00			--
0002	MECI75801		MICROSWITCH A PISTONE (MS/10-Z15GC)	1,00			--
0003	MECB00126		CABLE COLLEG. BATTERIA G1050	1,00			--
0004	MEVR34820		WIRING BATTERY BRIDGE W/TERMINAL	1,00			--
0005	MPVR00298		CONTAINER BATTERIA TK1050	1,00			--
0006	MECI00038		SWITCH BIPOLORE	1,00			--
0007	MPVR00300		INSTR.PANEL TERMOFORMATO TK1050	1,00			--
0008	MEVR01984		DASHBOARD PLANCIA G1050	1,00			--
0009	MECI75805		SWITCH KEY FOR BATTERY MACHINES	1,00			--
0010	VTRS00023		WASHER DENTATA INT.UNI 6798 D.18	1,00			--
0011	MECI00028		SWITCH EMERGENCY 24V - RED	1,00			--
0012	MECE00498		BOARD G1050-G1202	1,00			--
0013	VTVT00035		SCREW M 3X 8 TS TC ZC	4,00			--
0014	LAFN47038		COLUMN distanziale M3 H13 M/F	4,00			--
0015	VTDD00001		NUT UNI 5588 M3 ZB	4,00			--
0016	MPVR04902		COVER SCHEDA MICRO	1,00			--
0017	VTVT00288		SCREW TCTC 4X10	2,00			--
0018	MECI75801		MICROSWITCH A PISTONE (MS/10-Z15GC)	2,00			--
0019	MEVR00092		BUZZER X TK1400	1,00			--
0020	VTVT75719		SCREW TE FR 6X10 ZB ZIGRINATE	2,00			--
0021	MEVR47082		INSULATOR MM35 M6 CH 32	2,00			--
0022	VTVT47088		GRUB SCREW UNI 5923 6X30 GREZZO	2,00			--
0023	VTDD00004		NUT M 6 ZC UNI5588	2,00			--
0024	MECI00532		CONTACTOR 24V-100A	1,00			--
0025	MECI00005		RELAY 24V 10/20A	1,00			--
0026	MEVR00146		FUSE-HOLDER MEGA	1,00			--
0027	MEVR00145		FUSE 100A	1,00			--
0028	MECE00495		BOARD 1050	1,00		01/03/2020	--
0028	MECE00860		BOARD 1050-1202	1,00	02/03/2020		--
0029	MECE00498		BOARD G1050-G1202	1,00			--
0030	LAFN08824		SPACER -	1,00			--
0031	VTVT09913		SCREW TCCE UNI 5931 6X16 ZB	4,00			--
0032	MECI75945		COMMUTAT.SWITCH 3 POSIZ.FUNZ.MACCH.+CAPP	1,00			--
0033	VEVR00001		IMPELLER 24V F08-12C001-01B R5,6	1,00			--
0034	MPVR47166		CRANKCASE PROTEZIONE TELERUT.TK1400	1,00			--
0035	LAFN47167		BRACKET PORTA TELERUT.TK1400 ZINC	1,00			--
0036	VTVT00093		SCREW TBCE ISO 7380 6X12 ZB	2,00			--
0037	LAFN06459		BRACKET PORTA SCHEDA RELE'	1,00			--
0038	MECE45124		PCB RELE' TK1400	1,00			--
0039	METT45116		CONTACTOR T106P 24V 100%	2,00			--
0041	MECE00497		BOARD CURTIS TR. CARD 1050-1202	1,00			--
0042	VTDD08171		NUT M 5 TEF	2,00			--
0043	VTRS00365		THICKNESS 18X25X1	2,00			--
0044	VTVT01127		SCREW TE M6x20	2,00			--



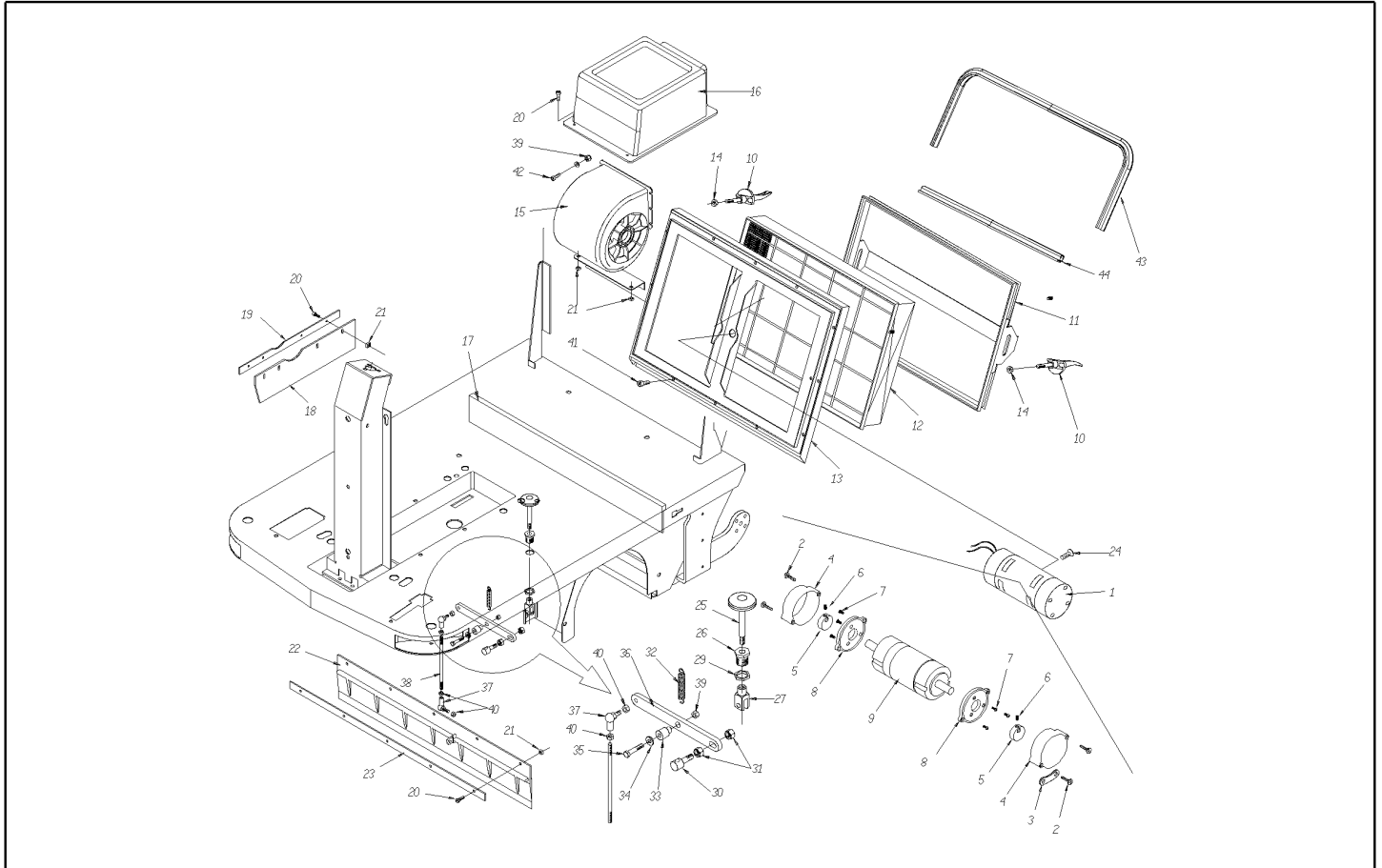
Ref. K	Part n.	Part n. 2	Description	Quantity	Validity		Price
					From	To	
0045	MECB01223		WIRING -	1,00			--
0046	VTVT00003		SCREW TE M 4X 12 ZC. UNI 5739	1,00			--
0047	VTDD04369		NUT M 4 TEF UNI 7473	1,00			--
0048	KTRI01935		KIT 1050-1202	1,00			--
0049	KTRI05576		KIT POTENTIOMETER SPEED CONTR	1,00			--
0050	KTRI02054		KIT LED DIAGNOSTIC CURTIS	1,00			--
0051	VTVT00039		SCREW TC UNI 6954 3.5X10 AUTOF.	2,00	02/03/2020		--
0052	METK00017		SENSOR TEMPERATURE 70°C	1,00	02/03/2020		--
0053	GUGO00675		GASKET -	1,00	02/03/2020		--



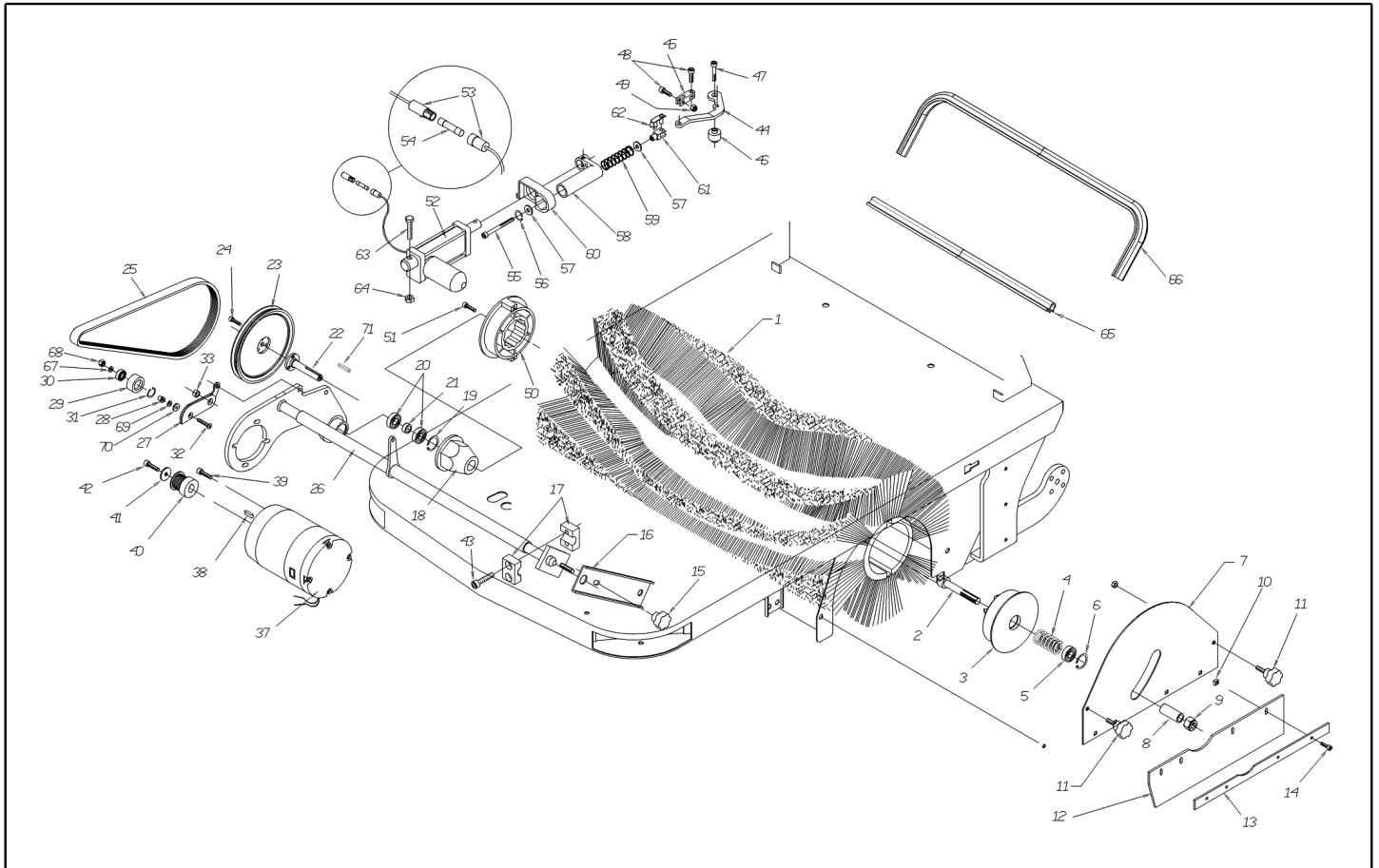
Ref. K	Part n.	Part n. 2	Description	Quantity	Validity		Price
					From	To	
0001	LAFN06461		CRANKCASE PROTEZIONE CINGHIA	1,00			--
0002	VTVT00005		SCREW TE M 5X 12 F/ROND.ZIGR	4,00			--
0003	LAFN00271		NUT FISSA PULEGGIA ALTERNA.	1,00			--
0004	ABGO00009		VIBRATION DAMP. MM 40X30 8MAX25	4,00			--
0005	MTCG44555		BELT DENTATA DAYCO/ISORAN	1,00			--
0006	MTPL45322		PULLEY ALTERN 40-RPP5-25	1,00			--
0007	LAFN06832		WASHER BLOCCA INGRANAGGIO	1,00			--
0008	MTCR00095		BRAKE AVVIAMENTO MOTORE HONDA	1,00			--
0009	MTPL00190		PULLEY MOTORE HONDA	1,00			--
0010	VTVT01547		SCREW TSCE 5X16"X5/8"X24 UNF zb	4,00			--
0011	VTVT01546		SCREW TE 5x16"x7/8"x24 UNF 8.8	1,00			--
0012	VTVT00066		SCREW TCCE UNI 5931 8X25 ZB	2,00			--
0013	MOCC45115		MOTOR 24V 300W SX	1,00			--
0014	VTVT00066		SCREW TCCE UNI 5931 8X25 ZB	2,00			--
0015	MFVR00189		SUPPORT ALTERNATORE 1050 DP	1,00			--
0016	GUVR00267		GASKET motore Honda	1,00			--
0017	LAFN47168		BELT-STRETCHER ALTERNATORE TK1400	1,00			--
0018	VTDD00491		NUT M 6 TEF	1,00			--
0019	VTRS00503		WASHER D. 6 UNI 6592	1,00			--
0020	RCDS00002		CAP 1/4" X IMPIANTO IDRAULICO	1,00			--
0021	VTVR01032		KEY Tipo B 4,76x4,76x38	1,00			--
0022	TBBP00376		TUBE SCARICO OLIO G1050	1,00			--
0023	TBBP00383		ROD LIVELLO OLIO	1,00			--
0024	VTVT00407		SCREW TE M10x75 UNI5737 znt	1,00			--
0025	LAFN00274		SPACER ALTERNATORE X DIESEL 1400	1,00			--
0026	VTRS00504		WASHER D. 8 ZC. UNI 6592	4,00			--
0027	ARGN00016		ALTERNATOR 28V	1,00			--
0028	METK47170		PROBE F11-140° NC	1,00			--
0029	VTRS00505		WASHER D.10 UNI 6592	1,00			--
0030	VTDD00042		NUT AUT.M10 UNI7474	1,00			--
0031	LAFN06464		EXTENSION MARMITTA	1,00			--
0032	VTRS00502		WASHER D. 5 0.466 UNI 6592	2,00			--
0033	VTVT00058		SCREW TCEI M 5X12 ZB U.5931	2,00			--
0034	MEVR45117		ROKER SOLENOIDE ARIA MOTORE	1,00			--
0035	LAFN06463		CONNECTING ROD PER SOLENOIDE	1,00			--
0036	LAFN06796		HOSE ASTA LIVELLO OLIO	1,00			--
0037	MEVR45120		SOLENOID K9B-36DL-1041	1,00		06/10/2014	--
0037	MEVR02100		SOLENOID RS 349-715	1,00	07/10/2014		--
0038	LAFN06458		BRACKET PORTA SOLENOIDE	1,00			--
0039	VTVT00527		SCREW TE FR 6X10 ZB ZIG.	1,00			--
0040	VTDD00124		NUT M8 DIN985	4,00			--
0041	VTDD00124		NUT M8 DIN985	4,00			--
0042	VTRS01080		WASHER D. 8 GRW	4,00			--
0043	VTRS00504		WASHER D. 8 ZC. UNI 6592	4,00			--



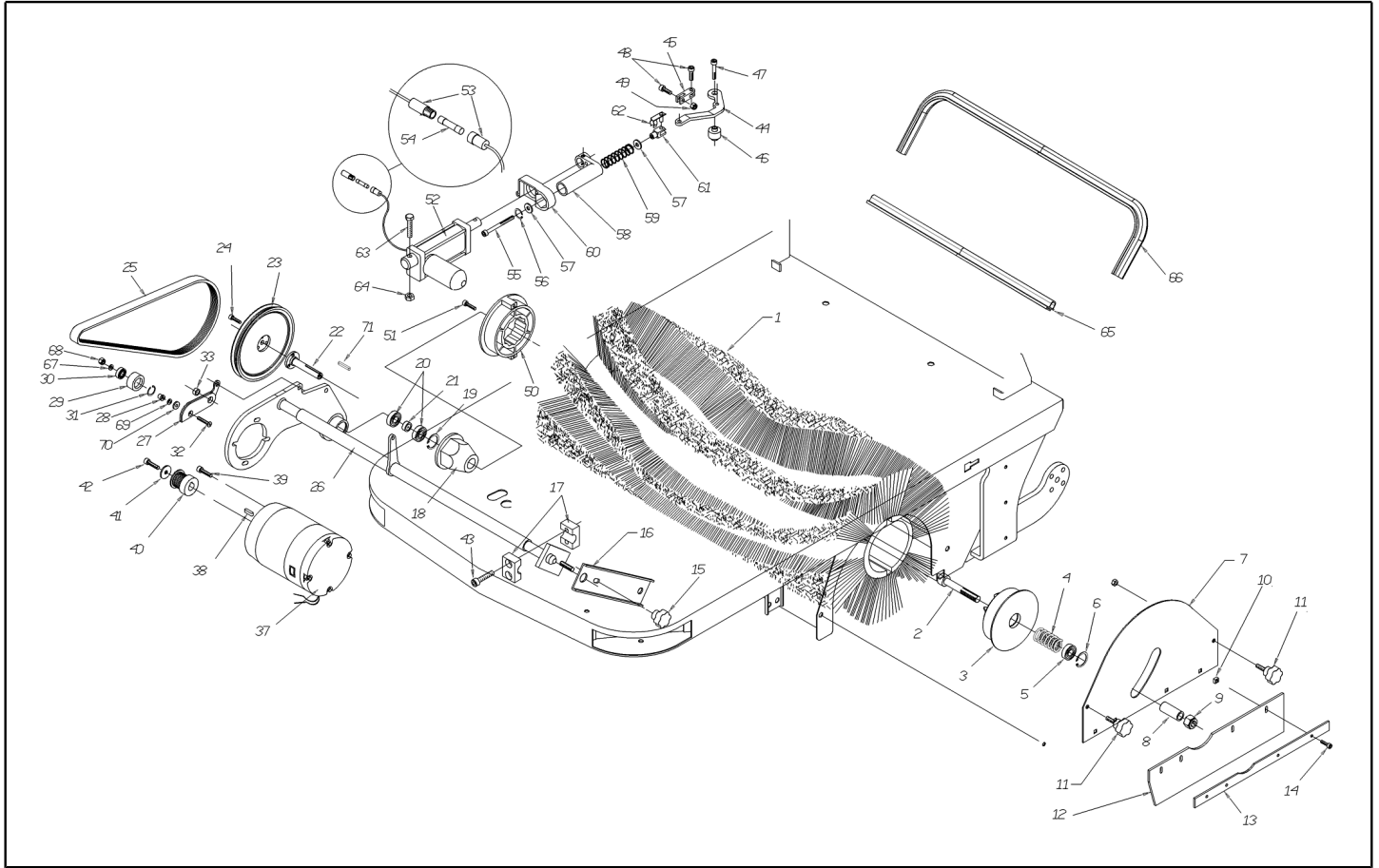
Ref. K	Part n.	Part n. 2	Description	Quantity	Validity		Price
					From	To	
0044	VTVT00450		SCREW TE 8X40 UNI5739	4,00			--
0045	VTRS00504		WASHER D. 8 ZC. UNI 6592	4,00			--
0046	LAFN01155		SHEET METAL PA. SUPPORTO MOTORE GC160	1,00			--
0047	MPVR04631		CONVEYOR MOTORE HONDA G1050	1,00			--
0048	LAFN06465		SILENCER COMPLETA	1,00			--
0049	VTVT00527		SCREW TE FR 6X10 ZB ZIG.	1,00			--
0051	VTRS00505		WASHER D.10 UNI 6592	3,00			--
0052	LAFN06460		SPACER PER ALTERNATORE	1,00			--
0053	VTVT01151		SCREW TE M 10X190 UNI 5737 ZC	1,00			--
0054	MPVR04911		RUBBER ASTA LIVELLO OLIO	1,00			--
0055	LAFN00025		WASHER PULEGGIA ALTERNAT.TK1400	1,00			--
0056	LAFN06457		BRACKET LIVELLO OLIO	1,00			--
0057	VTDD00042		NUT AUT.M10 UNI7474	1,00			--
0058	VTVT00232		SCREW EXAGONAL HEAD M10X30	1,00			--
0059	VTVT00527		SCREW TE FR 6X10 ZB ZIG.	1,00			--
0060	LAFN07760		REINFORCEMENT -	1,00			--
0061	VTDD00042		NUT AUT.M10 UNI7474	1,00			--
0062	LAFN07734		SPACER -	1,00			--
0063	LAFN07731		BRACKET -	1,00			--
0064	MOSC00018		MOTOR Honda GC 160E QH-E2	1,00			--



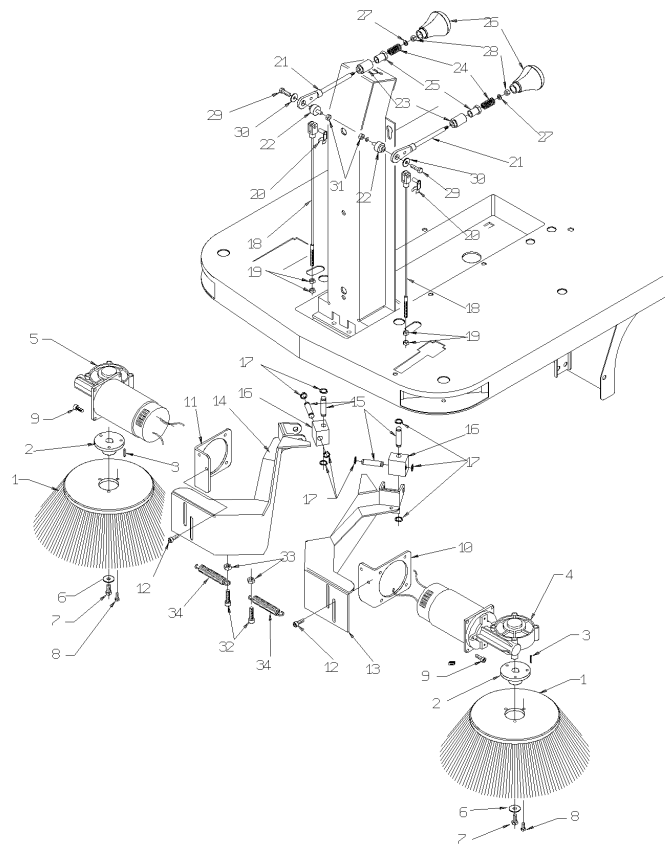
Ref. K	Part n.	Part n. 2	Description	Quantity	Validity		Price
					From	To	
0001	MOCC45112		MOTOR FILTER SHAKER 24V	1,00			--
0002	VTVT47138		SCREW AUTOF.TSP UNI 6955 3,9X32	4,00			--
0003	MPVR00765		RUBBER FISSAGGIO FILO SCUOTIFIL.	2,00			--
0004	LAFN47139		COVER PROTEZIONE MASSE SCUOTIF.	2,00			--
0005	LAFN47140		BUSHING CONTRAPPESO PER SCUOTIFIL	2,00			--
0006	VTVT75731		GRUB SCREW UNI 5923 6X5	2,00			--
0007	VTVT76616		SCREW TSCE UNI 5933 4X12 ZB	6,00			--
0008	MFVR47141		FLANGE X MOTORE SCUOTIFILTRO	2,00			--
0009	MOCC00004		MOTOR D.63 24V G3800 W35	1,00			--
0010	PMVR00383		HANDLE BLOCCAGGIO FILTRO SILVER	2,00			--
0011	LAFN01172		FRAME FISSA FILTRO	1,00		10/03/2020	--
0011	LAFN11511		FRAME FILTER 818R	1,00	11/03/2020		--
0012	FTDP00010		FILTER G1050	1,00			--
0013	LAFN01030		FRAME FILTER SUPPORT COMPLETE	1,00			--
0014	VTDD13261		NUT UNI 5589 M8 BASSO ZB	2,00			--
0015	MOCC00008		MOTOR SUCTION GENIUS SWEEPER	1,00			--
0016	MPVR00864		FAN COVER ASPIRAZIONE	1,00			--
0017	MPVR00849		FLAP POSTERIORE G1050	1,00			--
0018	MPVR04710		FLAP LATERALE DX/SX NERO	1,00			--
0019	LAFN00325		CLAMP FLAP LATER.TK1050 ZINC.	1,00			--
0020	VTVT00044		SCREW TC AF.X PLAS UNI9707 4X16	13,00			--
0021	VTVR47015		INSERT PLASTICA (MEDREVITE)	13,00			--
0022	MPVR00761		FLAP ANTERIORE TK1050 COMPL.	1,00			--
0023	LAFN00326		CLAMP FLAP ANTER.TK1050 ZINC	1,00			--
0024	VTVT47143		SCREW TSCE UNI 5933 10X16 ZB	1,00			--
0025	LAFN01150		PEDAL ALZAFLAP G1050	1,00			--
0026	LAFN01159		PIN FILETTATO ALZAFLAP	1,00			--
0027	CMCV00001		FORK UNI 1676 M8X16	1,00			--
0029	VTDD00022		NUT UNI 5589 M18x1,5 zb	1,00			--
0030	VTVT00010		SCREW TE UNI 5739 8X40 ZB	1,00			--
0031	VTDD87083		NUT AUTOBLOK DIN 985 M8 BASSO	1,00			--
0032	MLML00037		SPRING PEDALE ALZAFLAP	1,00			--
0033	LAFN01160		PIN FULCRO ALZAFLAP	1,00			--
0034	VTRS86634		WASHER UNI 6593 6X18X1,5 ZB	1,00			--
0035	VTVT63029		SCREW TCCE UNI 5931 6X35 ZB	1,00			--
0036	LAFN01163		ROD ALZAFLAP	1,00			--
0037	VTVR45280		TOGGLE-JOINT M 6	2,00			--
0038	LAFN06357		PIN ALZAFLAP G1050	1,00			--
0039	VTDD00010		NUT AUTOBLOK DIN 985 M6 BASSO	5,00			--
0040	VTDD00004		NUT M 6 ZC UNI5588	4,00			--
0041	VTVT09913		SCREW TCCE UNI 5931 6X16 ZB	12,00			--
0042	VTVT24209		SCREW TCCE UNI 5931 6X12 ZB	6,00			--
0043	GUGO00285		GASKET TK1320048	0,80			--
0044	GUGO00285		GASKET TK1320048	1,50			--



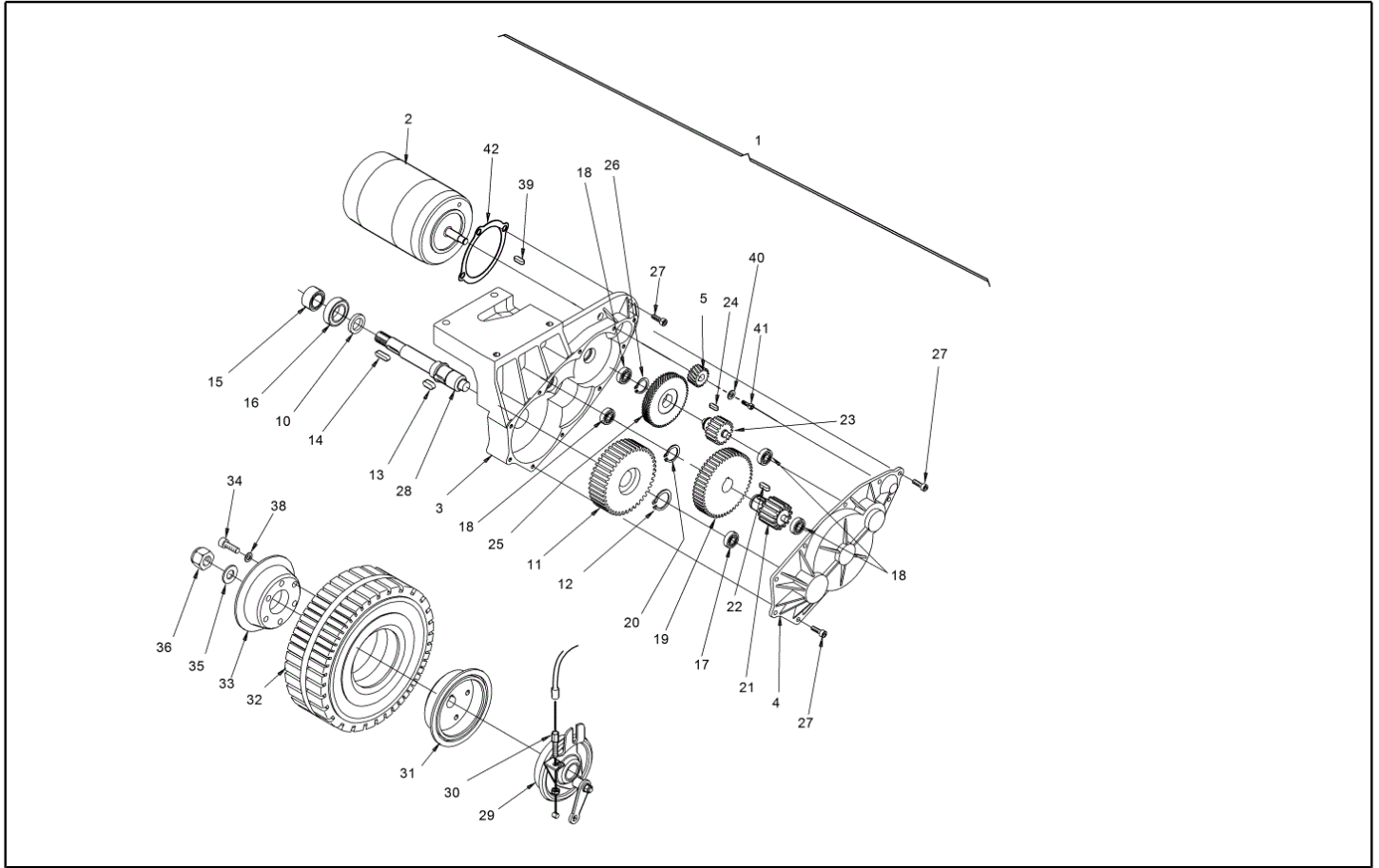
Ref. K	Part n.	Part n. 2	Description	Quantity	Validity		Price
					From	To	
0001	SPPV00056		CENTRAL BRUSH D.280X640 6R0.PPL 0.5/1.2	1,00			--
0002	VTVT00131		SCREW TCCE UNI 5931 12X60 ZB	1,00			--
0003	LAFN44772		SUPPORT SPAZ.CENTR.1400/1300/1200	1,00			--
0004	MLML45098		SPRING SPAZZ.CENTRAL.D.25X3zb	1,00			--
0005	CUVR46942		BALL BEARING 6001-2RS1 -SKF	1,00			--
0006	VTAE00010		SEEGER INTERNO DIN 472 D.28	1,00			--
0007	LAFN06356		PLANE SPAZZOLA CENTRALE	1,00			--
0008	LAFN01169		SPACER S.C.	1,00			--
0009	VTDD00012		NUT AUTOBLOK DIN 985 M12 ZB	1,00			--
0010	VTVR47015		INSERT PLASTICA (MEDREVITE)	4,00			--
0011	RTRT00022		HANDWHEEL D.30 M6X15	2,00			--
0012	MPVR04710		FLAP LATERALE DX/SX NERO	1,00			--
0013	LAFN00325		CLAMP FLAP LATER.TK1050 ZINC.	1,00			--
0014	VTVT00044		SCREW TC AF.X PLAS UNI9707 4X16	4,00			--
0015	VTVT00124		HANDWHEEL D.40 M8	1,00			--
0016	LAFN00816		ARM ASPORT.SPAZZ.CENTR.ZINC.	1,00			--
0017	LAFN47055		HOSE COLLAR C3 D.18 SOLO PVC	4,00			--
0018	LAFN44774		HUB 1050	1,00			--
0019	VTAE00010		SEEGER INTERNO DIN 472 D.28	1,00			--
0020	CUVR46942		BALL BEARING 6001-2RS1 -SKF	2,00			--
0021	LAFN46932		SPACER CUSCINETTI ALB.SPAZ.CENT.	1,00			--
0022	LAFN00531		BRUSH PIN CENTRALE TK1050	1,00			--
0023	MTPL00023		PULLEY SPAZZOLA CENTRALE	1,00			--
0024	VTVT75725		SCREW TBCE ISO 7380 6X10 ZB	3,00			--
0025	MTCG00018		BELT POLY PJ724/285J	1,00			--
0026	LAFN00804		ARM PORTASPAZZ.CENTR.1050 ZIN	1,00			--
0027	LAFN07759		REINFORCEMENT -	1,00			--
0028	LAFN00527		PIN CUSCINET.TENDICING.TK1050	1,00			--
0029	LAFN00636		ROLLER TENDICINGHIA TK1050	1,00			--
0030	CUVR71988		BEARING 608 2RS	1,00			--
0031	VTAE13513		CIRCLIP D. 26 UNI 7437	1,00			--
0032	VTVT00075		SCREW TSCE UNI 5933 5X20 ZB	1,00			--
0033	LAFN01168		BUSHING PERNO TENDICINGHIA	1,00			--
0037	MOCC00297		MOTOR 300W	1,00			--
0038	VTVR13165		KEY UNI 6604 5X5X20	1,00			--
0039	VTVT06237		SCREW TCCE UNI 5931 6X20 ZB	4,00			--
0040	MTPL00022		PULLEY MOTORE SPAZZ.CENTR TK1050	1,00			--
0041	VTRS63242		WASHER UNI 6593 6X24X2 ZB	1,00			--
0042	VTVT75725		SCREW TBCE ISO 7380 6X10 ZB	1,00			--
0043	VTVT06236		SCREW TCCE UNI 5931 6X40 ZB	4,00			--
0044	LAFN00358		LEVER DI RINVIO SPAZZ. CENTRALE	1,00			--
0045	LAFN00359		LINK-ROD TK 1050	1,00			--
0046	LAFN00533		PIN LEVA DI RINVIO SPAZZ.CENT	1,00			--
0047	VTVT63029		SCREW TCCE UNI 5931 6X35 ZB	1,00			--



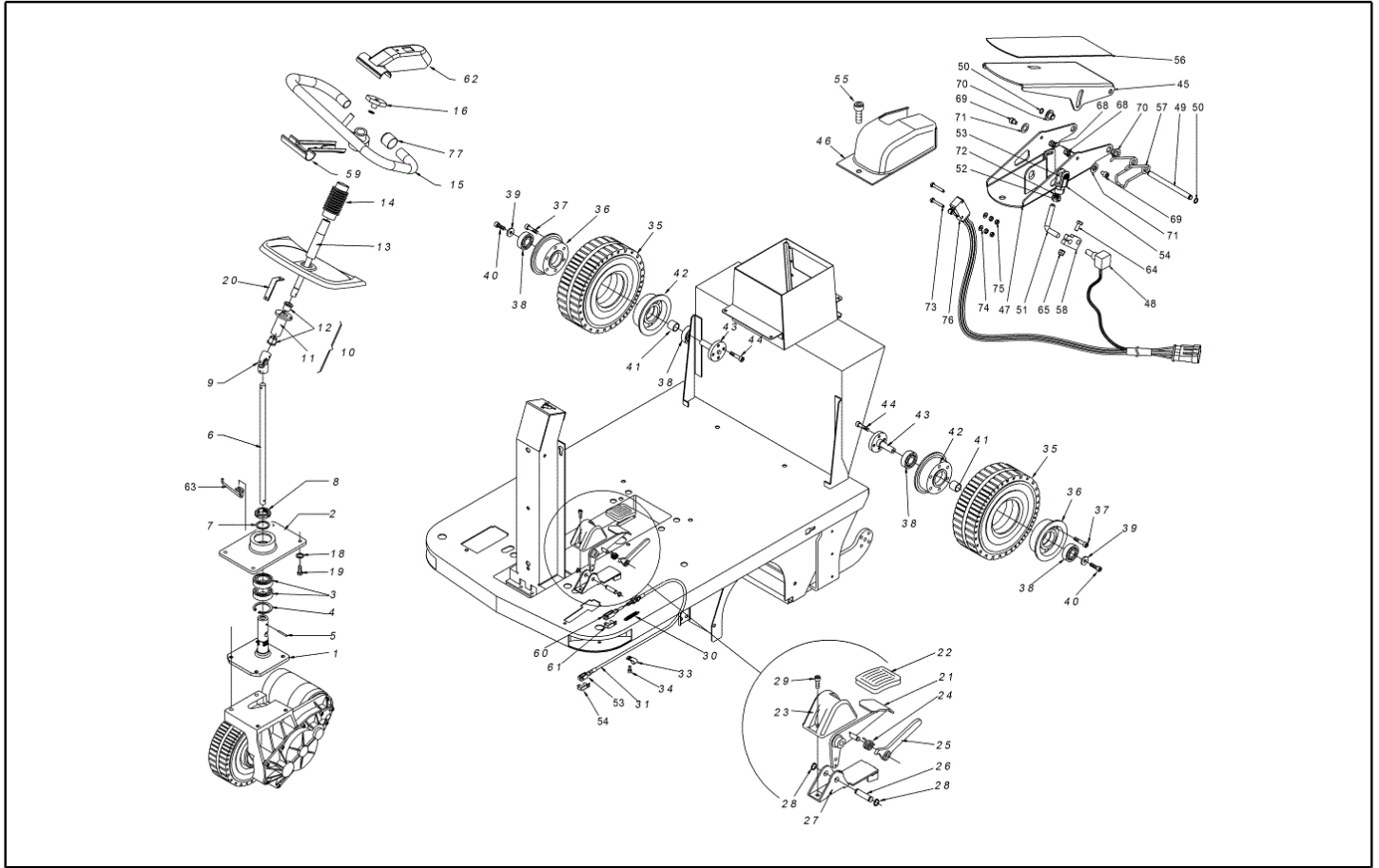
Ref. K	Part n.	Part n. 2	Description	Quantity	Validity		Price
					From	To	
0048	VTVT00104		SCREW TE UNI 5739 6X18 ZB	2,00			--
0049	VTDD19688		NUT M6 UNI 7473	2,00			--
0050	LAFN45099		DRIVE DISK CENTRAL BRUSH	1,00			--
0051	VTVT47138		SCREW AUTOF.TSP UNI 6955 3,9X32	2,00		28/04/2015	--
0051	VTVT01705		SCREW 4X45 UNI 9709	2,00	29/04/2015		--
0052	MOCC00009		ACTUATOR CENTRAL BRUSH	1,00			--
0053	MEVR00080		FUSE-HOLDER PV610 10A	1,00			--
0054	MEVR00079		FUSE 3.15A 250V 5X20	1,00			--
0055	VTVT37013		SCREW TE M 6X100 UNI 5737	1,00			--
0056	VTAE00009		SEEGER INTERNO DIN 472 D.20	1,00			--
0057	LAFN00124		BUSHING BATTUTA CILINDRO	2,00			--
0058	MPVR45279		CASE PORTAMOLLA SPAZ.CENT.1400	1,00			--
0059	MLML00018		SPRING D.20X2X81 X CILIND.STAB.	1,00			--
0060	LAFN00756		GUIDE ASTUCC.MOLLA SPAZ.CENTR.	1,00			--
0061	CMCV00006		FORK UNI 1676 M6X24	1,00			--
0062	CMCV00009		CLIP UNI 1676	1,00			--
0063	VTVT00017		SCREW TE UNI 5739 8X35 ZB	1,00			--
0064	VTDD87083		NUT AUTOBLOK DIN 985 M8 BASSO	1,00			--
0065	GUVR00010		GASKET	0,70			--
0066	GUVR00010		GASKET	1,10			--
0067	VTRS00502		WASHER D. 5 0.466 UNI 6592	1,00			--
0068	VTDD00040		NUT M5 UNI7474	1,00		12/11/2023	--
0068	VTDD08171		NUT M 5 TEF	1,00	13/11/2023		--
0069	VTRS00502		WASHER D. 5 0.466 UNI 6592	1,00			--
0070	VTRS00503		WASHER D. 6 UNI 6592	1,00			--
0071	VTVR00006		KEY UNI 6604 4X4X35	1,00			--



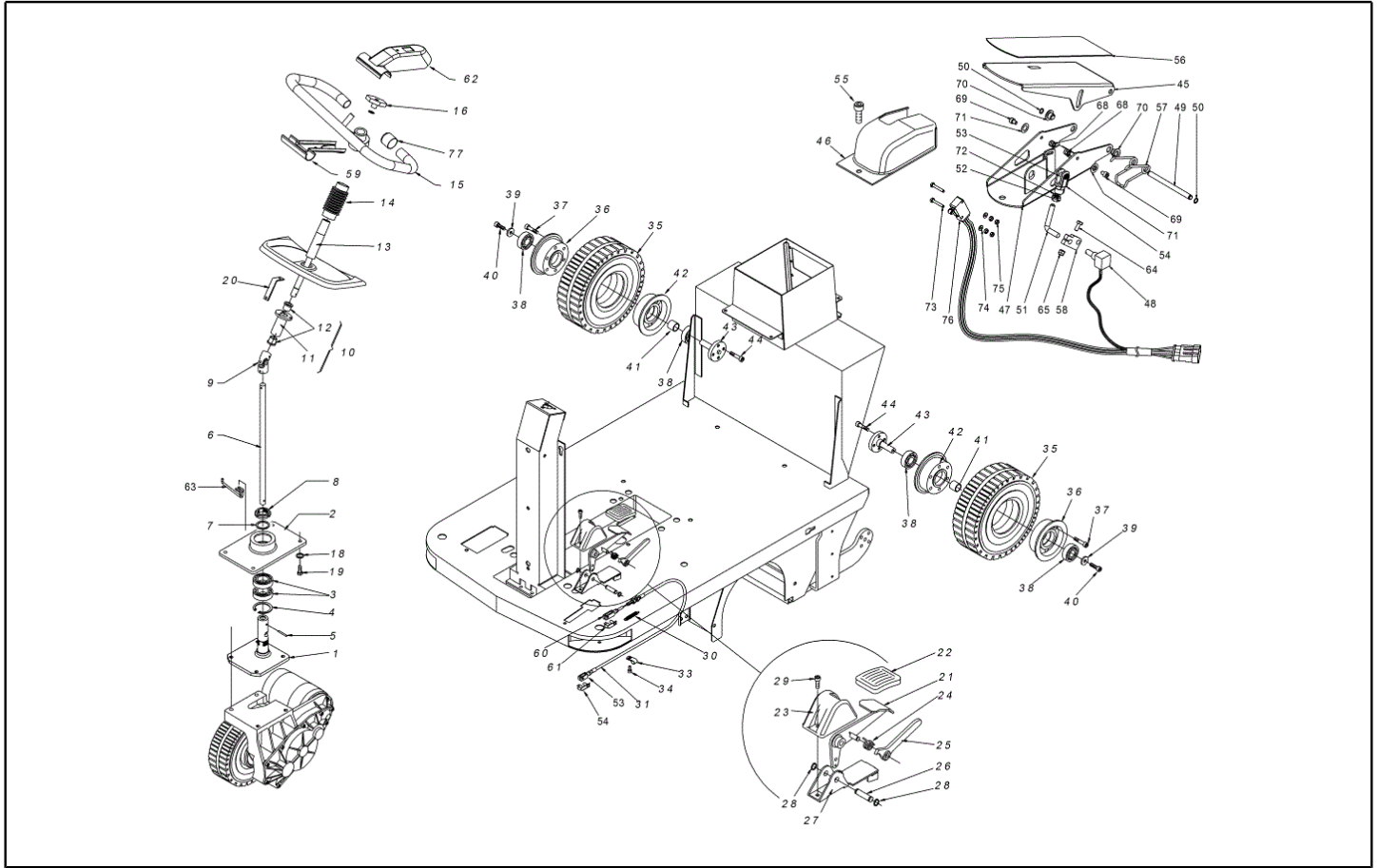
Ref. K	Part n.	Part n. 2	Description	Quantity	Validity		Price
					From	To	
0001	SPPV75790		SIDE-BRUSH BLACK PPL 0.7	2,00			--
0002	LAFN45010		FLANGE L.1400 LT	2,00			--
0003	VTVR13165		KEY UNI 6604 5X5X20	2,00			--
0004	MOCC00031		MOTOR.GEARBOX AOMPI40 24V 60W SX G1050	1,00			--
0004	MEVR31145		CARBON LAV. BT	2,00			--
0005	MOCC00032		MOTOR.GEARBOX AOMPI40 24V 60W DX G1050	1,00			--
0005	MEVR31145		CARBON LAV. BT	2,00			--
0006	VTRS63242		WASHER UNI 6593 6X24X2 ZB	2,00			--
0007	VTVT75719		SCREW TE FR 6X10 ZB ZIGRINATE	2,00			--
0008	VTVT62920		SCREW TE FR 6X16 ZB ZIGRINATE	6,00			--
0009	VTVT09913		SCREW TCCE UNI 5931 6X16 ZB	8,00			--
0010	LAFN00809		PLATE PORTASPAZZ.LAT.SX TK1050	1,00			--
0011	LAFN00808		PLATE PORTASPAZZ.LAT.DX TK1050	1,00			--
0012	VTVT75719		SCREW TE FR 6X10 ZB ZIGRINATE	4,00			--
0013	LAFN00800		SUPPORT LATERALE SX 1050 ZINCATO	1,00			--
0014	LAFN00798		SUPPORT LATERALE DX 1050 ZINCATO	1,00			--
0015	LAFN01148		PIN SPAZZOLE LATERALI	4,00			--
0016	LAFN00154		BLOCK BRACCI SPAZ.LAT.TK1050	2,00			--
0017	VTAE87276		SEEGER EXT. D10 DIN471	8,00			--
0018	CMCV00053		CABLE ALZASPAZZOLE LATERALI	2,00			--
0019	VTDD00004		NUT M 6 ZC UNI5588	4,00			--
0020	CMCV00009		CLIP UNI 1676	2,00			--
0021	LAFN00803		ARM ALZASPAZZOLA LATER.1050	2,00			--
0022	LAFN00153		BUSHING LEVA ALZA SPAZ.LAT.ZINC.	2,00			--
0023	MPVR00081		BUSHING MANOVRA TK1050	2,00			--
0024	MLML00027		SPRING POMOLO SPAZZ.CENTRALE	2,00			--
0025	LAFN00523		SPRING HOLDER BRUSH LIFT	2,00			--
0026	MPVR00886		SMALL KNOB SPAZZOLA LATERALE G1050	2,00			--
0027	VTRS00010		WASHER UNI 6592 5X10 ZB	2,00			--
0028	VTDD00017		NUT AUTOBLOK DIN 985 M5	2,00		12/11/2023	--
0028	VTDD08171		NUT M 5 TEF	2,00	13/11/2023		--
0029	VTVT12255		SCREW TCCE UNI 5931 6X25 ZB	2,00			--
0030	VTRS86634		WASHER UNI 6593 6X18X1,5 ZB	2,00			--
0031	VTDD19688		NUT M6 UNI 7473	2,00			--
0032	VTVT00016		SCREW TE UNI 5739 8X30 ZB	2,00			--
0033	VTDD87083		NUT AUTOBLOK DIN 985 M8 BASSO	2,00			--
0034	MLML45102		SPRING BRACCIO SPAZ.LAT.TK1400	2,00			--



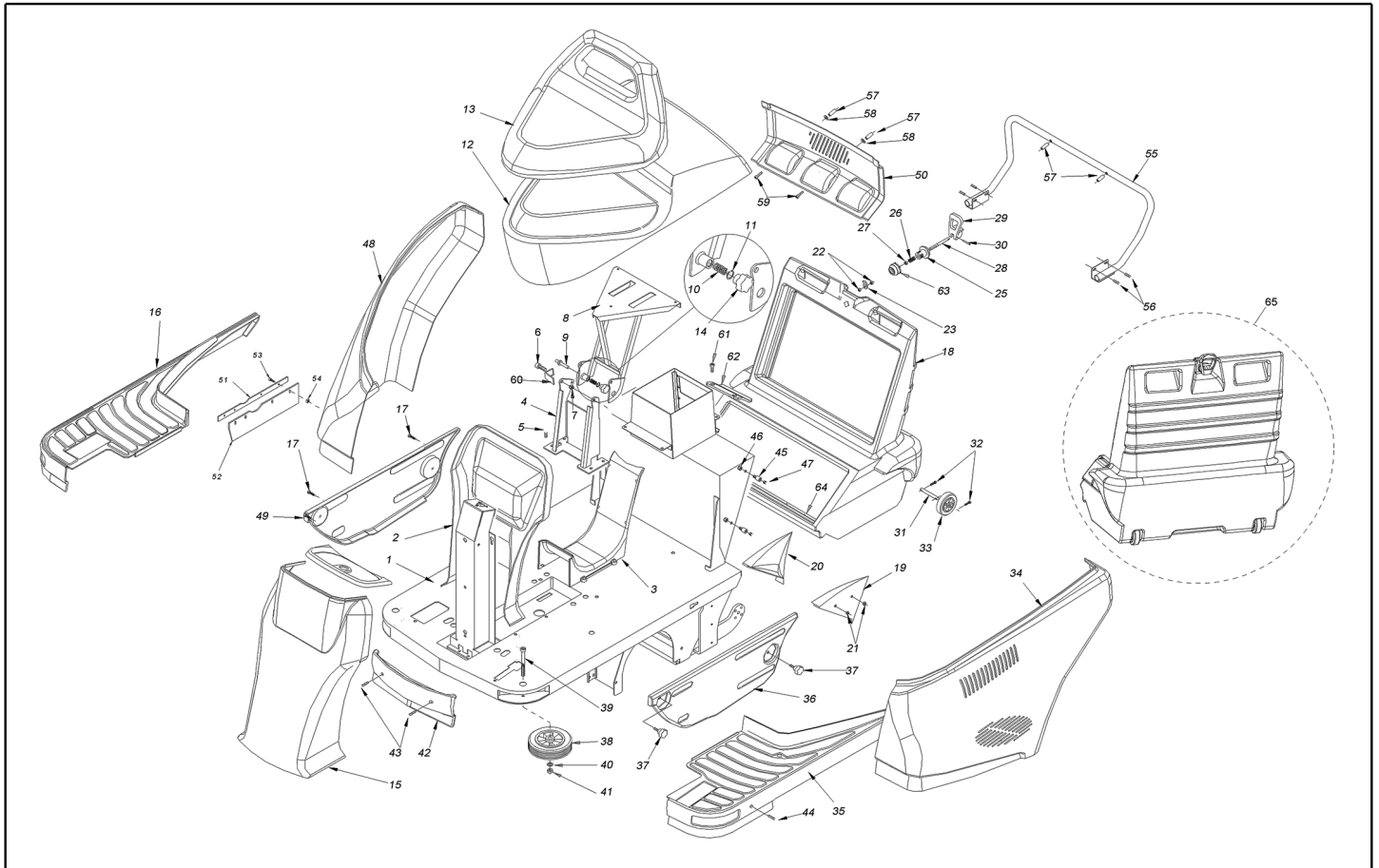
Ref. K	Part n.	Part n. 2	Description	Quantity	Validity		Price
					From	To	
0001	PMTR00079		GROUP MOTORUOTA COMPLETO	1,00			--
0002	MOCC00029		MOTOR MOTORUOTA 24V 400W	1,00			--
0003	MFVR00020		SUPPORT MOTORUOTA	1,00			--
0004	MFVR00019		COVER MOTORUOTA G 1050	1,00			--
0005	MTCR00010		PINION MOTORE Z=18 M=1.5	1,00			--
0010	GUVR00026		PACKING 20x30x5	1,00			--
0011	MTCR00006		BRAKE MODULO 2.5	1,00			--
0012	VTAE09655		SEEGER ESTERNO DIN 471 D.25	1,00			--
0013	VTVR00052		KEY UNI 6604 8X7X18	1,00			--
0014	VTVR23472		KEY UNI 6604 6X6X25	1,00			--
0015	CUVR00021		BEARING 20X32X16 NKI2016	1,00			--
0016	CUVR00022		BEARING 25x42x11 51105	1,00			--
0017	CUVR00023		BEARING 6002 15x32x9	1,00			--
0018	CUVR00024		BEARING 609 9x24x7	3,00			--
0019	MTCR00011		BRAKE MODULO 2	1,00			--
0020	VTAE33674		SEEGER ESTERNO DIN 471 D.22	1,00			--
0021	MTCR00008		PINION MODULO 2.5	1,00			--
0022	VTVR00053		KEY UNI 6604 6X6X18	1,00			--
0023	MTCR00009		PINION MODULO 2	1,00			--
0024	VTVR00054		KEY UNI 6604 5X5X10	1,00			--
0025	MTCR00007		BRAKE Z=45 M=1.5	1,00			--
0026	VTAE76740		SEEGER ESTERNO DIN 471 D.20	1,00			--
0027	VTVT00123		SCREW TCCE UNI5931 6X16 AC.8.8	10,00			--
0028	LAFN01162		PIN RUOTA	1,00			--
0029	VTVR00051		BRAKE d.90 G1050	1,00			--
0030	CMCV75723		REGISTER D.7	1,00			--
0031	MFVR00014		HUB RUOTA TK 1050	1,00			--
0032	RTRT00036		RING GOMMA RUOTA ANT. NERA	1,00			--
0033	LAFN85380		HUB RUOTA POST.D124 H.33.5	1,00			--
0034	VTVT00074		SCREW TCCE UNI 5931 8X16 ZB	5,00			--
0035	VTRS00508		WASHER UNI 6592 16x32 ZB	1,00			--
0036	VTDD01689		NUT AUTOBLOK DIN 982 M16 ALTO	1,00			--
0038	VTRS00020		WASHER GOWER UNI 1751 UNI 1751	5,00			--
0039	VTVR01677		KEY 5X5X18 UNI 6604-69	1,00			--
0040	VTRS04026		WASHER D. 6X18X2.38	1,00			--
0041	VTVT01109		SCREW TE M 6X 10 ZC. UNI 5739	1,00			--
0042	GUVR00215		GASKET P184 MOTORE	1,00			--



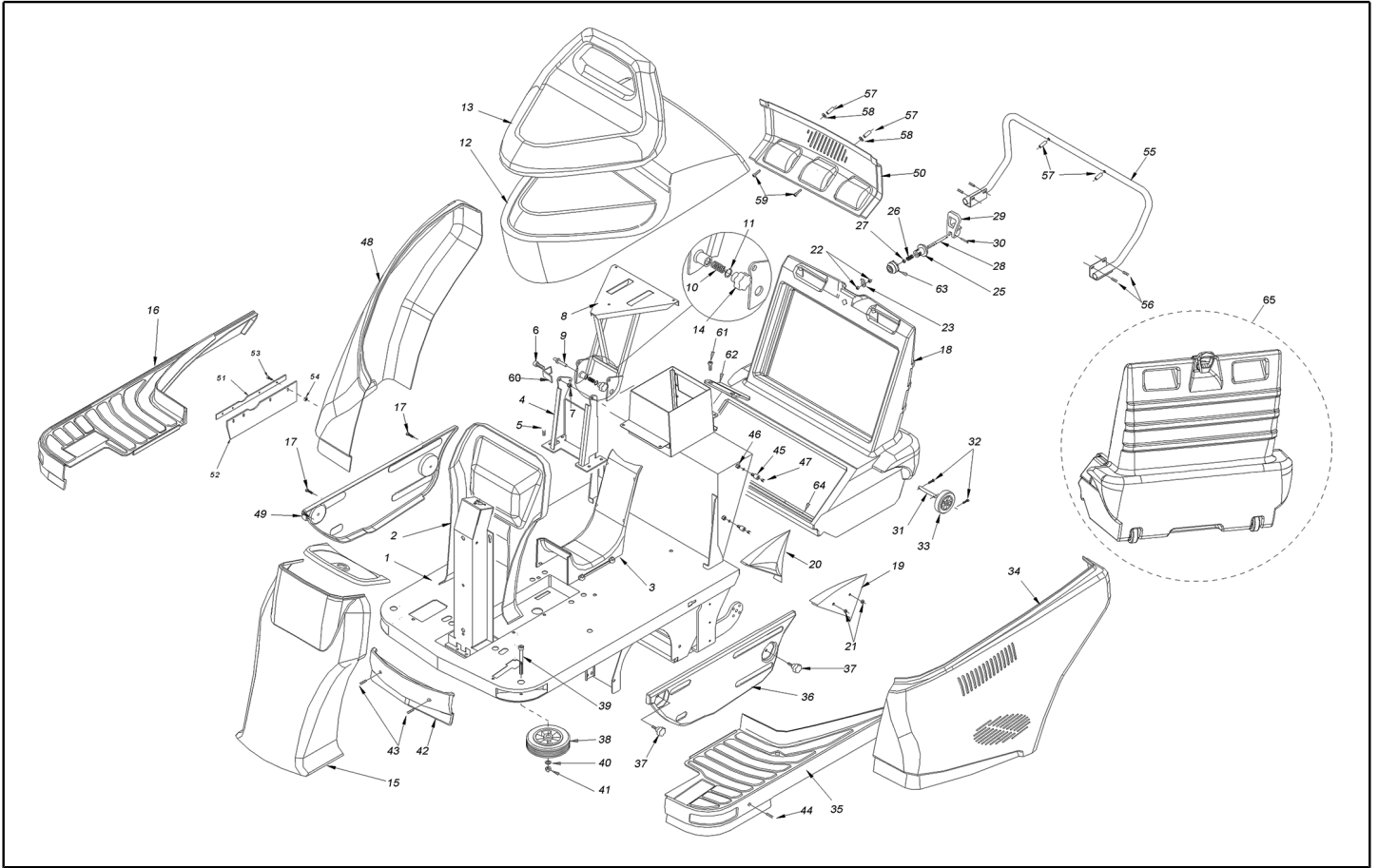
Ref. K	Part n.	Part n. 2	Description	Quantity	Validity		Price
					From	To	
0001	LAFN00806		SUPPORT MOTORUOTA	1,00			--
0002	LAFN01167		DOOR CUSCINETTI	1,00			--
0003	CUVR00025		BEARING 6006 2RS 30X55X13	2,00			--
0004	VTAE00015		SEEGER INTERNO DIN 472 D.55	1,00			--
0005	VTVR46987		ELASTIC PLUG DIN 1481 5X25	1,00			--
0006	ALTR00039		SHAFT STERZO G1050	1,00			--
0007	LAFN01173		SPACER RALLA STERZO	1,00			--
0008	VTVT00114		RING NUT AUTOBLOK M30X1,5 GUK	1,00			--
0009	VTVR00057		ARTICULATION STEERING	1,00			--
0010	PMTR00077		BUSHING PORTA PIANTONE VOLANTE	1,00			--
0011	LAFN00149		BUSHING PORTA PIANTONE TK1050 ZIN	1,00			--
0012	LAFN75841		BUSHING CENTR.PIGNONE RUOTA ANT.	2,00			--
0013	ALTR00031		SHAFT PER VOLANTE TK 1050 ZINC.	1,00			--
0014	MPVR47066		PROTECTOR X ALBERO SPAZZOLA TK1000	1,00			--
0015	SESD00022		STEERING WHEEL G1050 USA COMPLETO	1,00			--
0016	LAFN01183		SCREW FISSA VOLANTE G1050	1,00			--
0017	VTRS00012		WASHER UNI 6592 10X21 ZB	1,00			--
0018	VTRS00020		WASHER GOWER UNI 1751 UNI 1751	4,00			--
0019	VTVT00015		SCREW TE UNI 5739 8X25 ZB	4,00			--
0020	LAFN01184		BRACKET FISSA CRUSCOTTO	1,00			--
0021	LAFN00802		PEDAL FRENO SX 1050	1,00			--
0022	MPVR45096		PEDAL COVER GRANDE V1021	1,00			--
0023	MPVR00303		CRANKCASE COPRIPEDALE FRENO	1,00			--
0024	MLML00035		SPRING RICHIAMO PEDALE B.F.G1050	1,00			--
0025	LAFN01147		PEDAL BLOCCO G1050	1,00			--
0026	LAFN00536		PIN PEDALE FRENO	1,00			--
0027	LAFN00821		SHEET METAL PA. SUPP.PEDALE FRENO TK1050	1,00			--
0028	VTAE87276		SEEGER EXT. D10 DIN471	2,00			--
0029	VTVT09916		SCREW TBCE ISO 7380 6X20 ZB	1,00			--
0030	MLML37337		SPRING TRAZIONE TENDICINGH.ZB	1,00		02/09/2012	--
0030	MLML45109		SPRING ALZAFLAP TK1400	1,00	03/09/2012		--
0031	CMCV00054		CABLE FRENO G1050	1,00			--
0033	FSVR00005		CLAMP D.10 F.8,5 Inox430	1,00			--
0034	VTVT75719		SCREW TE FR 6X10 ZB ZIGRINATE	1,00			--
0035	RTRT00034		RING GOMMA RUOTA NERA	2,00			--
0036	LAFN85290		HUB ruota 124x57,5	2,00			--
0037	VTVT00066		SCREW TCCE UNI 5931 8X25 ZB	12,00			--
0038	CUVR00005		BEARING 6202 2RS	4,00			--
0039	VTRS63242		WASHER UNI 6593 6X24X2 ZB	2,00			--
0040	VTVT75726		SCREW TBCE ISO 7380 6X16 ZB	2,00			--
0041	LAFN00275		SPACER INTERNO RUOTA POST.TK1300	2,00			--
0042	LAFN85380		HUB RUOTA POST.D124 H.33,5	2,00			--
0043	LAFN00530		WHEEL PIN POSTERIORE LARGGA TK1050	2,00			--
0044	VTVT45340		SCREW TSCCE UNI 5933 8X16 ZB	8,00			--



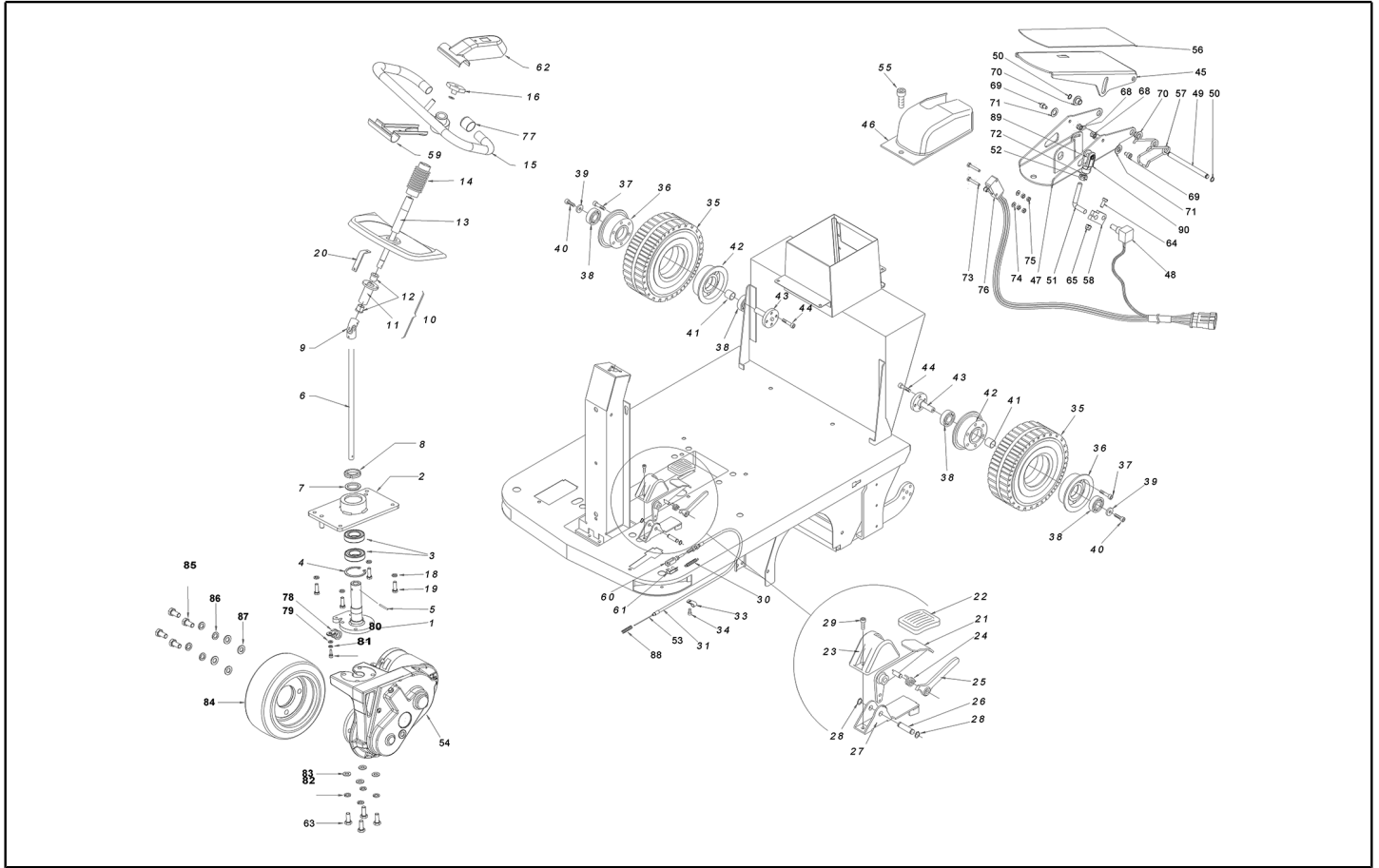
Ref. K	Part n.	Part n. 2	Description	Quantity	Validity		Price
					From	To	
0045	LAFN06474		SHEET METAL PA. PEDALE	1,00			--
0046	MPVR00302		CRANKCASE PEDALE AVANZAMENTO	1,00			--
0047	LAFN07532		BASE -	1,00			--
0048	MECB01227		WIRING ACCELERATOR	1,00			--
0049	LAFN00524		PIN PEDALE TK 1050	1,00			--
0050	VTAE48552		CIRCLIP ESTERNO DIN 471 D.6	2,00			--
0051	LAFN00909		BRACKET BIELLETTA PEDALE	1,00			--
0052	VTDD00482		NUT M 6 ZIN UNI 5588	1,00			--
0053	CMCV76639		FORK M 6 UNI 1676	2,00			--
0054	CMCV75717		CLIP UNI 1676 M6x12	2,00			--
0055	VTVT62920		SCREW TE FR 6X16 ZB ZIGRINATE	1,00			--
0056	MPVR00866		PLANE ANTISDRUCCIOLO G1050	1,00			--
0057	MLML00034		SPRING PEDALE AVANZAMENTO G1050	1,00			--
0058	LAFN01149		CONNECTING ROD PEDALE AVANZAMENTO G1050	1,00			--
0059	MPVR04653		COVER INFERIORE VOLANTE	1,00			--
0060	CMCV00006		FORK UNI 1676 M6X24	1,00			--
0061	CMCV00009		CLIP UNI 1676	1,00			--
0062	MPVR04652		COVER SUPERIORE VOLANTE	1,00			--
0063	LAFN07038		ASSEMBLED GUIDA CAVO FRENO	1,00			--
0064	VTVT00727		SCREW TE M. 4-20	1,00			--
0065	VTDD04369		NUT M 4 TEF UNI 7473	1,00			--
0068	VTDD04369		NUT M 4 TEF UNI 7473	2,00			--
0069	VTVT00089		SCREW TCCE UNI 5931 4X10 ZB	2,00			--
0070	CUVR00183		BUSHING -	2,00			--
0071	MPVR05528		WASHER -	2,00			--
0072	VTRS01079		WASHER D. 6 GROWER	1,00			--
0073	VTVT01350		SCREW M3-20 INOX	2,00			--
0074	VTRS00117		WASHER 3.2X7 UNI6592	2,00			--
0075	VTDD21115		NUT M 3 INOX	4,00			--
0076	MECB01228		WIRING -	1,00			--
0077	MPVR05256		CAP GPN-280 ER32	2,00			--



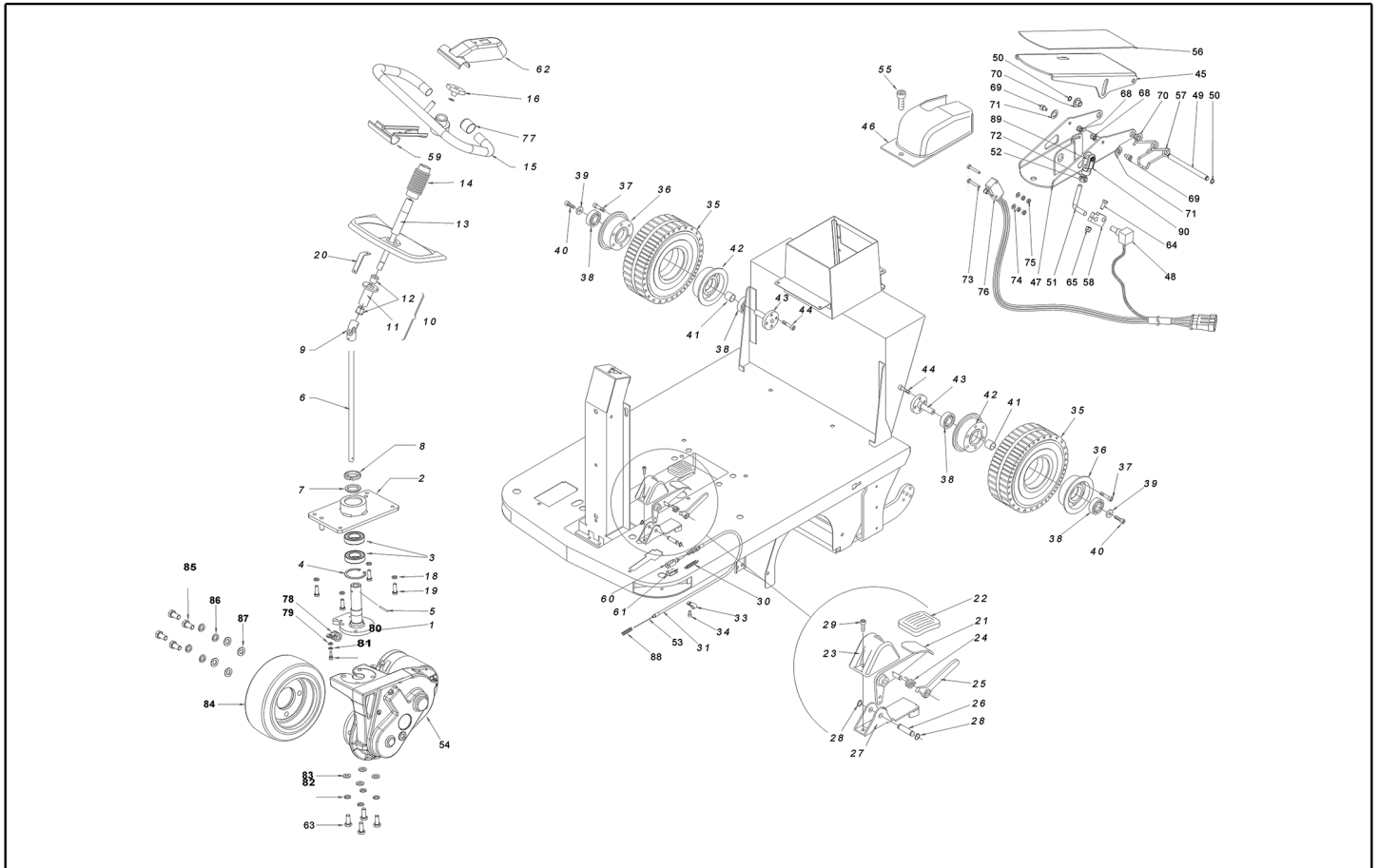
Ref. K	Part n.	Part n. 2	Description	Quantity	Validity		Price
					From	To	
0001	LAFN01029		FRAME TK1050 VERNICIATO	1,00		13/11/2019	--
0001	LAFN11477		FRAME 1050 VERNICIATO	1,00	14/11/2019		--
0002	MPVR00859		CRANKCASE FRONTALE INTERNO G1050	1,00		12/12/2019	--
0002	MPVR12481		PANEL FRONT	1,00	13/12/2019		--
0003	MPVR00851		TUNNEL CENTRALE G1050 TEKNOVA	1,00			--
0004	LAFN01153		COLUMN PORTASEDILE G1050	1,00			--
0005	VTVT29810		SCREW TCCE UNI 5931 8X20 ZB	4,00			--
0006	VTVT00456		SCREW TE UNI 5739 10X25 ZB	2,00			--
0007	VTDD00042		NUT AUT.M10 UNI7474	2,00			--
0008	LAFN01151		PEDAL TEKNOVA G1050	1,00			--
0009	LAFN00526		PIN BLOCCO PORTASEDILE TK1050	1,00			--
0010	MLML00028		SPRING PERNO BLOCCO PORTASEDILE	1,00			--
0011	VTAE00016		SEGER INTERNO DIN 472 D.13	1,00			--
0012	MPVR08010		HOOD SUPERIORE G1050	1,00			--
0013	MPVR00850		SEAT G1050 TEKNOVA	1,00			--
0014	VTVT00127		HANDWHEEL D.30 M6	1,00			--
0015	MPVR08013		CRANKCASE FRONTALE ESTERNO G1050	1,00			--
0016	MPVR00853		PLANE DX G1050	1,00			--
0017	VTVT09916		SCREW TBCE ISO 7380 6X20 ZB	2,00			--
0018	MPVR00304		DRAWER RIFIUTI TK1050	1,00			--
0019	PMVR00501		CONVEYOR CASSETTO SX	1,00			--
0020	PMVR00502		CONVEYOR CASSETTO DX	1,00			--
0021	VTDD00010		NUT AUTOBLOK DIN 985 M6 BASSO	4,00			--
0022	VTDD13261		NUT UNI 5589 M8 BASSO ZB	2,00			--
0023	LAFN01177		BRACKET FERMA CASSETTO	1,00			--
0025	LAFN00338		RING NUT GANCIO CASSETTO TK1050	1,00			--
0026	MLML00036		SPRING GANCIO CASSETTO	1,00			--
0027	LAFN75909		SPACER D.12 H.3,5	1,00			--
0028	LAFN00525		PIN TIRANTE TK1050	1,00			--
0029	MPVR00865		HANDLE CASSETTO RIFIUTI	1,00			--
0030	VTVR00055		PLUG D.4 H.32	1,00			--
0031	LAFN00532		WHEEL PIN CASSETTO	2,00			--
0032	VTVT19236		SCREW TCCE UNI 5931 5X20 ZB	4,00		27/02/2019	--
0032	VTVT00339		SCREW TCEI M5x20	4,00	28/02/2019		--
0033	RTRT00016		WHEEL SCIOLTE 80/30/G NERE	2,00			--
0034	MPVR08017		BODY SIDE SX G1050 COMPLETA	1,00			--
0035	MPVR00854		PLANE SX G1050	1,00			--
0036	MPVR00856		PLANE SX G1050	1,00			--
0037	VTVT00125		HANDWHEEL D.40 M6X15	2,00			--
0038	RTRT00038		WHEEL D.150X32	2,00			--
0039	VTVT01575		SCREW TCCE UNI 5931 10X60 ZB	2,00			--
0040	VTRS00012		WASHER UNI 6592 10X21 ZB	2,00			--
0041	VTDD00011		NUT AUTOBLOK DIN 985 M10	2,00			--
0042	MPVR00852		BUMPER ANTERIORE G1050 TEKNOVA	1,00			--



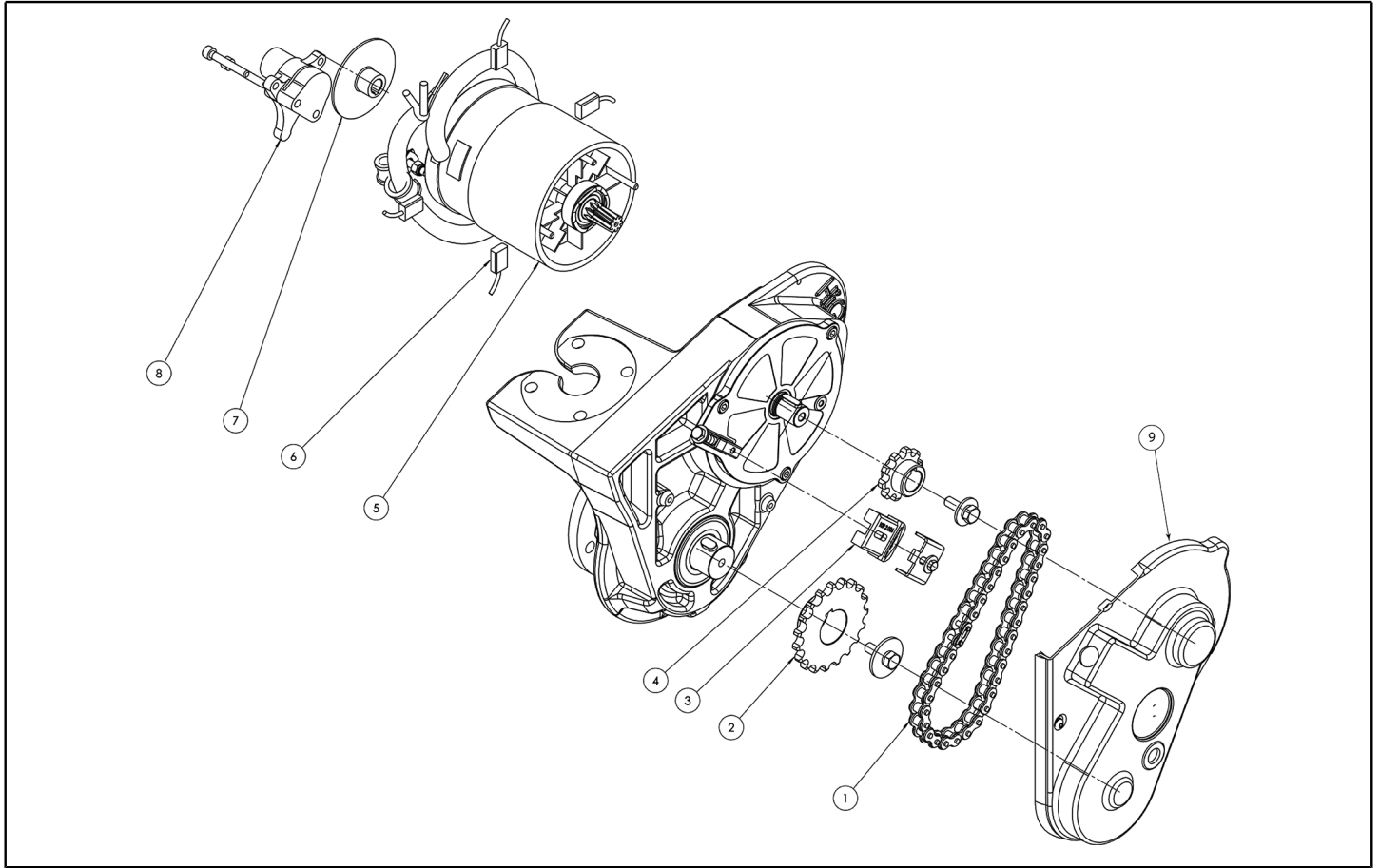
Ref. K	Part n.	Part n. 2	Description	Quantity	Validity		Price
					From	To	
0043	VTVT00034		SCREW TBCE ISO 7380 6X35 ZB	2,00			--
0044	VTVT09916		SCREW TBCE ISO 7380 6X20 ZB	4,00			--
0045	LAFN01187		SPACER FISSA FIANCATA G1050	4,00			--
0046	VTDD00010		NUT AUTOBLOK DIN 985 M6 BASSO	4,00			--
0047	VTVT75725		SCREW TBCE ISO 7380 6X10 ZB	4,00			--
0048	MPVR08015		BODY SIDE DX G1050 COMPLETA	1,00			--
0049	MPVR00855		PLANE DX G1050	1,00			--
0050	MPVR08014		CRANKCASE SUPERIORE VENTILAZIONE	1,00			--
0051	LAFN10992		SHEET METAL PA. FISSA FLAP	1,00			--
0052	MPVR05074		FLAP PORTELLO DX	1,00			--
0053	VTVT45339		SCREW TBCE ISO 7380 5X16 ZB	4,00			--
0054	VTDD78364		NUT M5 AUTOBLOCCANTE	4,00			--
0055	LAFN10991		BUMPER POSTERIORE	1,00			--
0056	VTVT00527		SCREW TE FR 6X10 ZB ZIG.	4,00			--
0057	LAFN10994		SPACER FISSA PARAU RTI	2,00			--
0058	VTRS00512		WASHER D. 8 X24 ZC.	2,00			--
0059	VTVT28306		SCREW TCCE UNI 5931 8X45 ZB	2,00			--
0060	LAFN01188		BRACKET FISSA CARENA	2,00			--
0061	VTVT08937		SCREW TCCE UNI 5931 6X10 ZB	2,00			--
0062	LAFN07037		BRACKET CENTRAGGIO CASSETTO	1,00			--
0063	LAFN07036		CONE CENTRAGGIO CASSETTO	1,00			--
0064	LAFN06694		REINFORCEMENT HOPPER 1050	1,00			--
0065	PMVR00430		DRAWER POSTERIORE G1050 COMPLETO	1,00			--



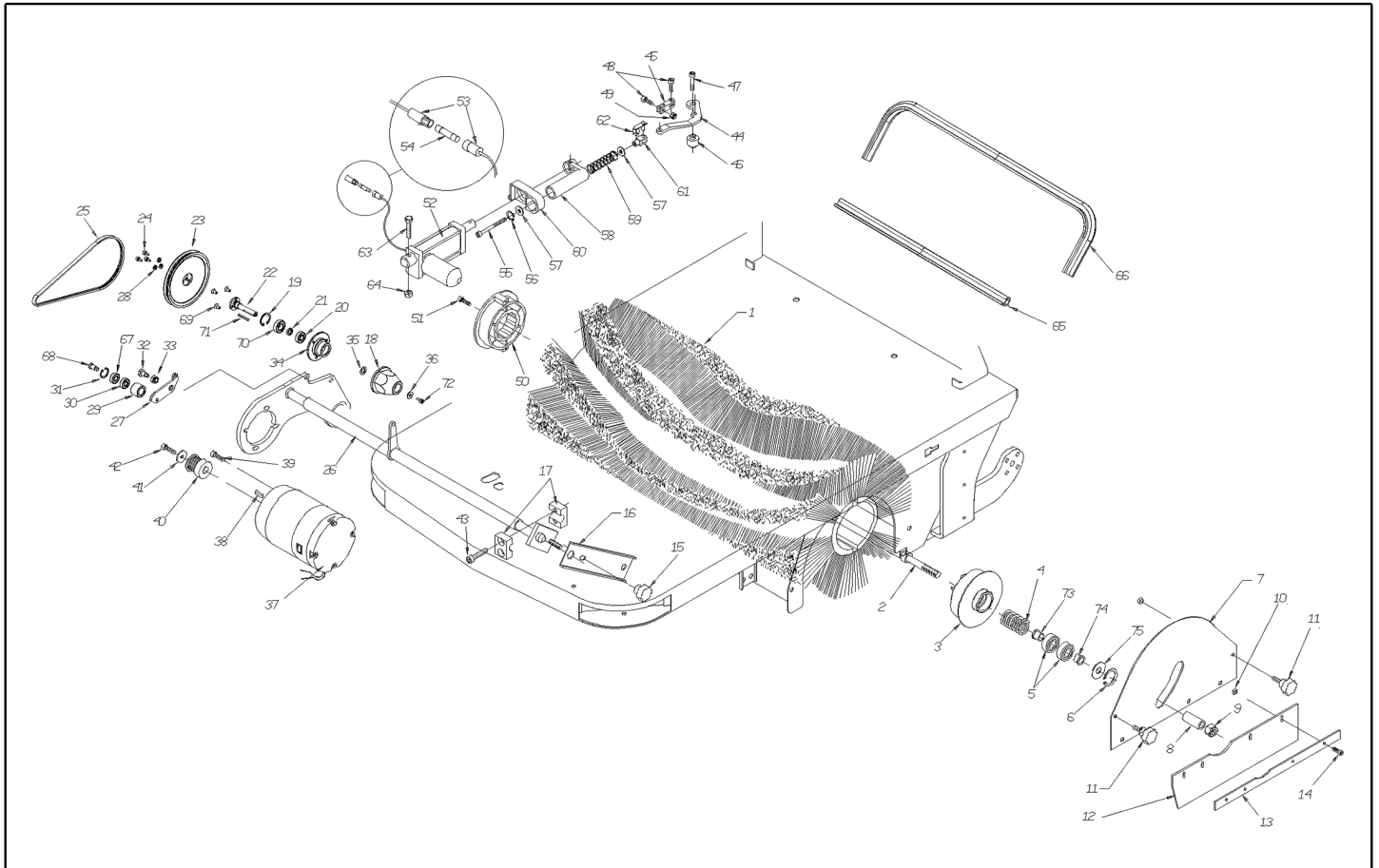
Ref. K	Part n.	Part n. 2	Description	Quantity	Validity		Price
					From	To	
0001	LAFN09414		SPACER -	1,00			--
0002	LAFN09415		SPACER -	1,00			--
0003	CUVR00025		BEARING 6006 2RS 30X55X13	2,00			--
0004	VTAE00015		SEEGER INTERNO DIN 472 D.55	1,00			--
0005	VTVR46987		ELASTIC PLUG DIN 1481 5X25	1,00			--
0006	ALTR00039		SHAFT STERZO G1050	1,00			--
0007	LAFN01173		SPACER RALLA STERZO	1,00			--
0008	VTVT00114		RING NUT AUTOBLOK M30X1,5 GUK	1,00			--
0009	VTVR00057		ARTICULATION STEERING	1,00			--
0010	PMTR00077		BUSHING PORTA PIANTONE VOLANTE	1,00			--
0011	LAFN00149		BUSHING PORTA PIANTONE TK1050 ZIN	1,00			--
0012	LAFN75841		BUSHING CENTR.PIGNONE RUOTA ANT.	2,00			--
0013	ALTR00031		SHAFT PER VOLANTE TK 1050 ZINC.	1,00			--
0014	MPVR47066		PROTECTOR X ALBERO SPAZZOLA TK1000	1,00			--
0015	SESD00022		STEERING WHEEL G1050 USA COMPLETO	1,00			--
0016	LAFN01183		SCREW FISSA VOLANTE G1050	1,00			--
0017	VTRS00012		WASHER UNI 6592 10X21 ZB	1,00			--
0018	VTRS01080		WASHER D. 8 GRW	4,00			--
0019	VTVT00447		SCREW TE 8X25 UNI5739	4,00			--
0020	LAFN01184		BRACKET FISSA CRUSCOTTO	1,00			--
0021	LAFN00802		PEDAL FRENO SX 1050	1,00			--
0022	MPVR45096		PEDAL COVER GRANDE V1021	1,00			--
0023	MPVR00303		CRANKCASE COPRIPEDALE FRENO	1,00			--
0024	MLML00035		SPRING RICHIAMO PEDALE B.F.G1050	1,00			--
0025	LAFN01147		PEDAL BLOCCO G1050	1,00			--
0026	LAFN00536		PIN PEDALE FRENO	1,00			--
0027	LAFN00821		SHEET METAL PA. SUPP.PEDALE FRENO TK1050	1,00			--
0028	VTAE87276		SEEGER EXT. D10 DIN471	2,00			--
0029	VTVT09916		SCREW TBCE ISO 7380 6X20 ZB	1,00			--
0030	MLML45109		SPRING ALZAFLAP TK1400	1,00			--
0031	CMCV00473		SHEATH	1,00			--
0033	FSVR00005		CLAMP D.10 F.8,5 InOX430	1,00			--
0034	VTVT75719		SCREW TE FR 6X10 ZB ZIGRINATE	1,00			--
0035	RTRT00034		RING GOMMA RUOTA NERA	2,00			--
0036	LAFN85290		HUB ruota 124x57,5	2,00			--
0037	VTVT00066		SCREW TCCE UNI 5931 8X25 ZB	12,00			--
0038	CUVR00005		BEARING 6202 2RS	4,00			--
0039	VTRS63242		WASHER UNI 6593 6X24X2 ZB	2,00			--
0040	VTVT75726		SCREW TBCE ISO 7380 6X16 ZB	2,00			--
0041	LAFN00275		SPACER INTERNO RUOTA POST.TK1300	2,00			--
0042	LAFN85380		HUB RUOTA POST.D124 H.33.5	2,00			--
0043	LAFN00530		WHEEL PIN POSTERIORE LARGGA TK1050	2,00			--
0044	VTVT45340		SCREW TSCE UNI 5933 8X16 ZB	8,00			--
0045	LAFN06474		SHEET METAL PA. PEDALE	1,00			--



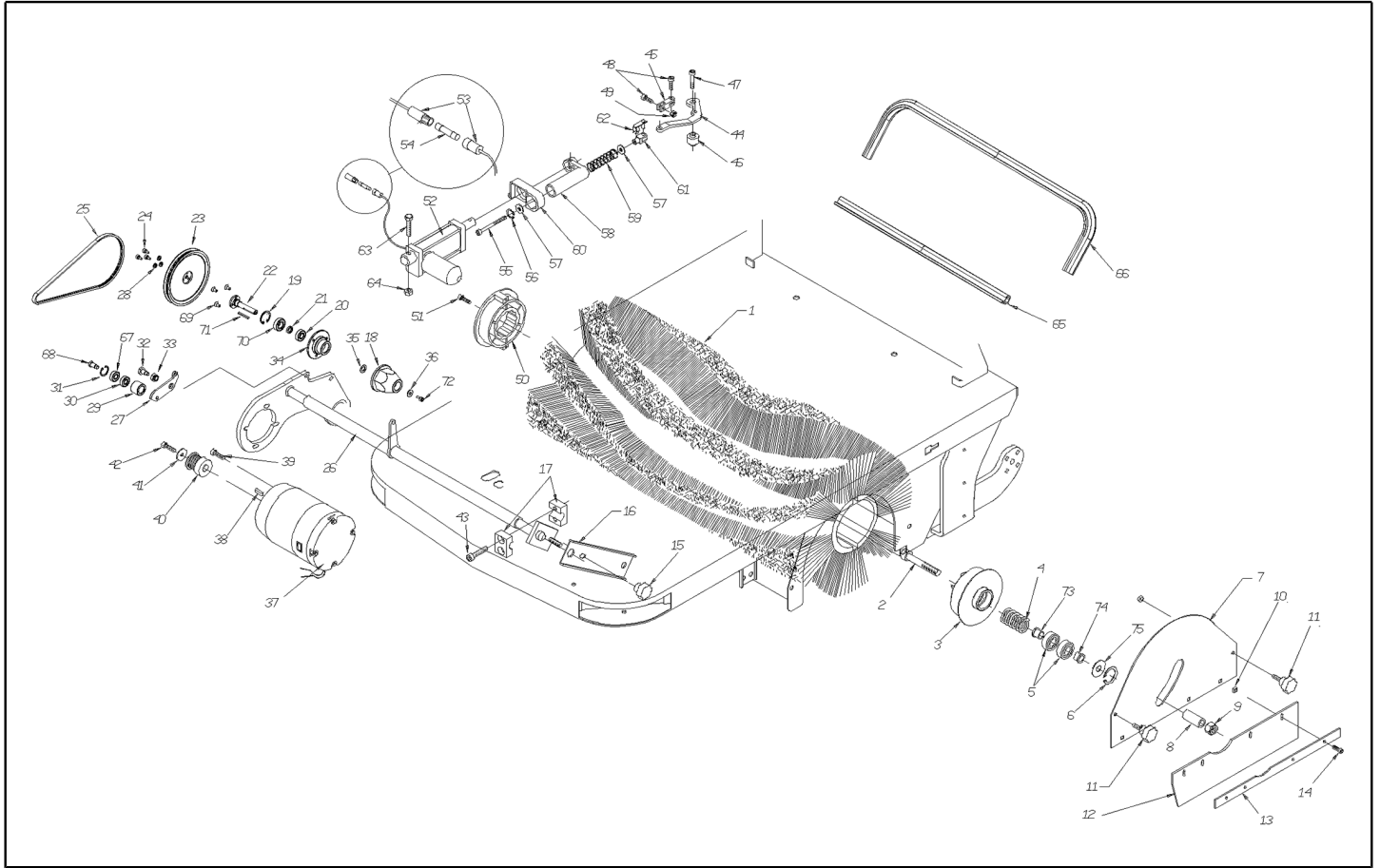
Ref. K	Part n.	Part n. 2	Description	Quantity	Validity		Price
					From	To	
0046	MPVR00302		CRANKCASE PEDALE AVANZAMENTO	1,00			--
0047	LAFN07532		BASE -	1,00			--
0048	MECB01227		WIRING ACCELERATOR	1,00			--
0049	LAFN00524		PIN PEDALE TK 1050	1,00			--
0050	VTAE48552		CIRCLIP ESTERNO DIN 471 D.6	2,00			--
0051	LAFN00909		BRACKET BIELLETTA PEDALE	1,00			--
0052	VTDD00482		NUT M 6 ZIN UNI 5588	1,00			--
0053	CMCV00472		CABLE	1,00			--
0054	MOCC00452		MOTOR MOTORWHEEL G1050 NEW	1,00			--
0055	VTVT62920		SCREW TE FR 6X16 ZB ZIGRINATE	1,00			--
0056	MPVR00866		PLANE ANTISDRUCCIOLO G1050	1,00			--
0057	MLML00034		SPRING PEDALE AVANZAMENTO G1050	1,00			--
0058	LAFN01149		CONNECTING ROD PEDALE AVANZAMENTO G1050	1,00			--
0059	MPVR04653		COVER INFERIORE VOLANTE	1,00			--
0060	CMCV00006		FORK UNI 1676 M6X24	1,00			--
0061	CMCV00009		CLIP UNI 1676	1,00			--
0062	MPVR04652		COVER SUPERIORE VOLANTE	1,00			--
0063	VTVT00456		SCREW TE UNI 5739 10X25 ZB	4,00			--
0064	VTVT00727		SCREW TE M. 4-20	1,00			--
0065	VTDD04369		NUT M 4 TEF UNI 7473	1,00			--
0068	VTDD04369		NUT M 4 TEF UNI 7473	2,00			--
0069	VTVT00089		SCREW TCCE UNI 5931 4X10 ZB	2,00			--
0070	CUVR00183		BUSHING -	2,00			--
0071	MPVR05528		WASHER -	2,00			--
0072	VTRS01079		WASHER D. 6 GROWER	1,00			--
0073	VTVT01350		SCREW M3-20 INOX	2,00			--
0074	VTRS00117		WASHER 3.2X7 UNI6592	2,00			--
0075	VTDD21115		NUT M 3 INOX	4,00			--
0076	MECB01228		WIRING -	1,00			--
0077	MPVR05256		CAP GPN-280 ER32	2,00			--
0078	FSVR00043		CLAMP D.16 F.8,5 Inox430	1,00			--
0079	VTRS00503		WASHER D. 6 UNI 6592	1,00			--
0080	VTRS01079		WASHER D. 6 GROWER	1,00			--
0081	VTVT09913		SCREW TCCE UNI 5931 6X16 ZB	1,00			--
0082	VTRS00107		WASHER M10 Grower	4,00			--
0083	VTRS00505		WASHER D.10 UNI 6592	4,00			--
0084	RTRT00579		WHEEL -	1,00			--
0085	VTVT00026		SCREW TE UNI 5739 12X25 ZB	4,00			--
0086	VTRS15919		WASHER D.12 GROVER UNI 1751 INX	4,00			--
0087	VTRS15978		WASHER D.12X24 UNI 6592 INX	4,00			--
0088	MLML00033		SPRING ALZAFLAP SILVER ZB	1,00	20/10/2016		--
0089	CMCV76639		FORK M 6 UNI 1676	1,00			--
0090	CMCV75717		CLIP UNI 1676 M6x12	1,00			--



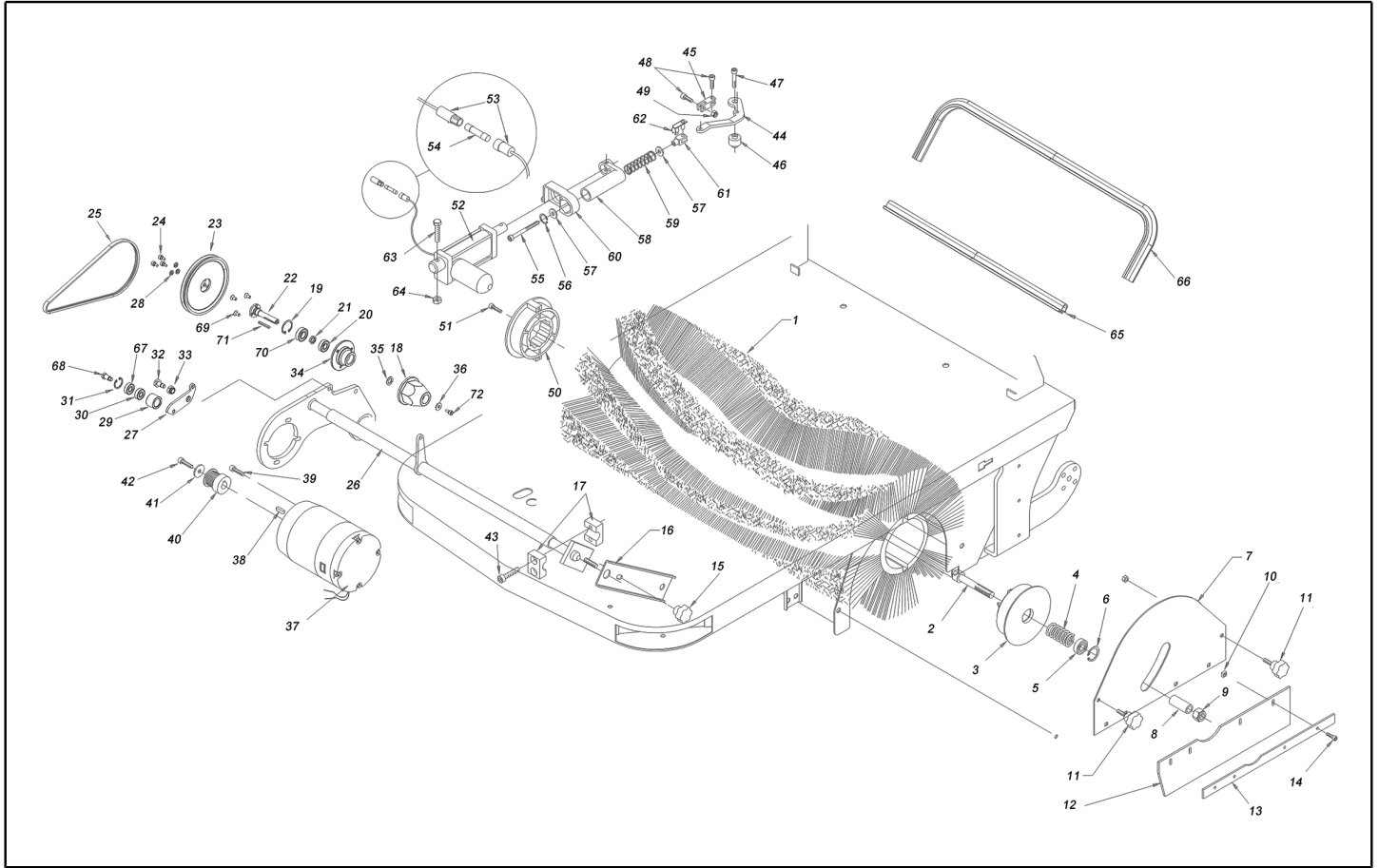
Ref. K	Part n.	Part n. 2	Description	Quantity	Validity		Price
					From	To	
0001	MTCR00104		CHAIN -	1,00			--
0002	MTIG00130		PINION 1/2"x5/16" Z19	1,00			--
0003	LAFN08226		CHAIN STRECHER -	1,00			--
0004	MTIG00129		PINION 1/2"x5/16" Z10	1,00			--
0005	MOCC00461		MOTOR 24V TRACTION G1050 NEW	1,00			--
0006	MEVR02378		KIT 4 CARBONS FOR MOCC00461	1,00			--
0007	LAFN08224		DISC -	1,00			--
0008	LAFN08225		PLIERS -	1,00			--
0009	MPVR11196		CRANKCASE MOTORWHEEL MOCC00434	1,00			--



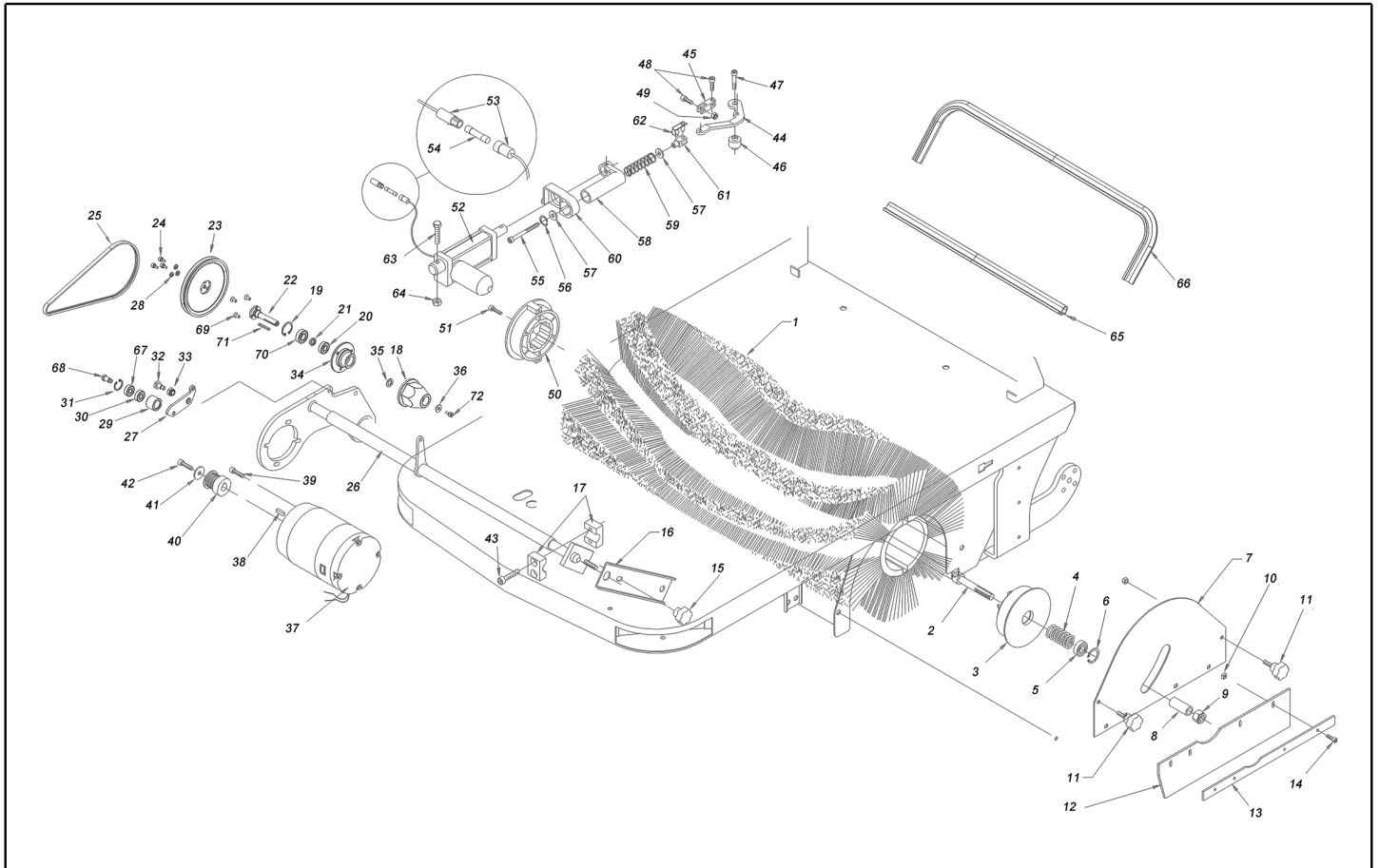
Ref. K	Part n.	Part n. 2	Description	Quantity	Validity		Price
					From	To	
0001	SPPV00056		CENTRAL BRUSH D.280X640 6R0.PPL 0.5/1.2	1,00			--
0002	VTVT47048		SCREW TCCE UNI 5931 12X80 ZB	1,00			--
0003	MPVR04923		SUPPORT SPAZZOLA CENTRALE	1,00			--
0004	MLML00295		SPRING SPAZZOLA CENTRALE	1,00			--
0005	CUVR17004		BALL BEARING 6202 -2RS1	2,00			--
0006	VTAE17002		CIRCLIP D. 35 UNI 7437	1,00			--
0007	LAFN06356		PLANE SPAZZOLA CENTRALE	1,00			--
0008	LAFN01169		SPACER S.C.	1,00			--
0009	VTDD00012		NUT AUTOBLOK DIN 985 M12 ZB	1,00			--
0010	VTVR47015		INSERT PLASTICA (MEDREVITE)	4,00			--
0011	RTRT00022		HANDWHEEL D.30 M6X15	2,00			--
0012	MPVR04710		FLAP LATERALE DX/SX NERO	1,00			--
0013	LAFN00325		CLAMP FLAP LATER.TK1050 ZINC.	1,00			--
0014	VTVT00044		SCREW TC AF.X PLAS UNI9707 4X16	4,00			--
0015	VTVT00124		HANDWHEEL D.40 M8	1,00			--
0016	LAFN00816		ARM ASPORT.SPAZZ.CENTR.ZINC.	1,00			--
0017	LAFN47055		HOSE COLLAR C3 D.18 SOLO PVC	4,00			--
0018	LAFN44774		HUB 1050	1,00			--
0019	VTAE00020		SEEGER I32 DIN472	1,00			--
0020	CUVR46942		BALL BEARING 6001-2RS1 -SKF	1,00			--
0021	LAFN11240		SPACER 12x18x4	1,00			--
0022	LAFN11239		PIN	1,00			--
0023	MTPL00023		PULLEY SPAZZOLA CENTRALE	1,00			--
0024	VTVT08937		SCREW TCCE UNI 5931 6X10 ZB	3,00			--
0025	MTCG00018		BELT POLY PJ724/285J	1,00			--
0026	LAFN11238		ARM CENTRAL BRUSH	1,00			--
0027	LAFN11113		ARM	1,00			--
0028	VTRS01079		WASHER D. 6 GROWER	3,00			--
0029	LAFN11115		ROLLER	1,00			--
0030	CUVR86373		BEARING 6000 2RS	1,00			--
0031	VTAE13513		CIRCLIP D. 26 UNI 7437	1,00			--
0032	LAFN47051		PIN FISSAG.TENDICING.1400	1,00			--
0033	LAFN47033		BUSHING FISSAGGIO PERNO PEDALI	1,00			--
0034	LAFN11241		BUSHING	1,00			--
0035	LAFN11242		WASHER	1,00			--
0036	VTRS04026		WASHER D. 6X18X2.38	1,00			--
0037	MOCC00297		MOTOR 300W	1,00			--
0038	VTVR13165		KEY UNI 6604 5X5X20	1,00			--
0039	VTVT06237		SCREW TCCE UNI 5931 6X20 ZB	4,00			--
0040	MTPL00022		PULLEY MOTORE SPAZZ.CENTR TK1050	1,00			--
0041	VTRS63242		WASHER UNI 6593 6X24X2 ZB	1,00			--
0042	VTVT75725		SCREW TBCE ISO 7380 6X10 ZB	1,00			--
0043	VTVT06236		SCREW TCCE UNI 5931 6X40 ZB	4,00			--
0044	LAFN00358		LEVER DI RINVIO SPAZZ. CENTRALE	1,00			--



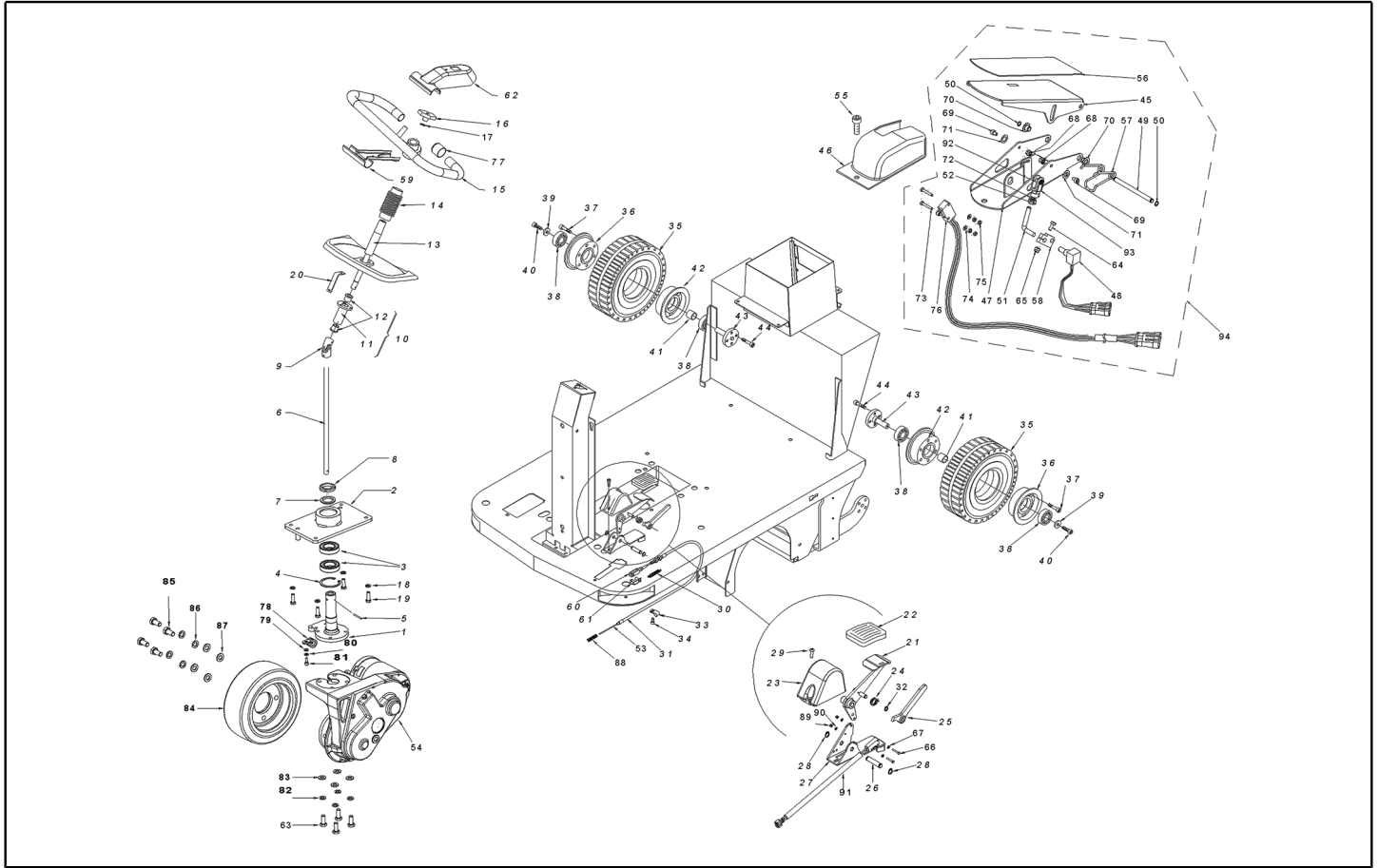
Ref. K	Part n.	Part n. 2	Description	Quantity	Validity		Price
					From	To	
0045	LAFN00359		LINK-ROD TK 1050	1,00			--
0046	LAFN00533		PIN LEVA DI RINVIO SPAZZ.CENT	1,00			--
0047	VTVT63029		SCREW TCCE UNI 5931 6X35 ZB	1,00			--
0048	VTVT00104		SCREW TE UNI 5739 6X18 ZB	2,00			--
0049	VTDD19688		NUT M6 UNI 7473	2,00			--
0050	LAFN45099		DRIVE DISK CENTRAL BRUSH	1,00			--
0051	VTVT01705		SCREW 4X45 UNI 9709	2,00			--
0052	MECB00983		WIRING ATTUATORE	1,00			--
0053	MEVR00080		FUSE-HOLDER PV610 10A	1,00			--
0054	MEVR00079		FUSE 3.15A 250V 5X20	1,00			--
0055	VTVT37013		SCREW TE M 6X100 UNI 5737	1,00			--
0056	VTAE00009		SEEGER INTERNO DIN 472 D.20	1,00			--
0057	LAFN00124		BUSHING BATTUTA CILINDRO	2,00			--
0058	MPVR45279		CASE PORTAMOLLA SPAZ.CENT.1400	1,00			--
0059	MLML45281		SPRING FOR SHOCK ABSORBER	1,00			--
0060	LAFN00756		GUIDE ASTUCC.MOLLA SPAZ.CENTR.	1,00			--
0061	CMCV00006		FORK UNI 1676 M6X24	1,00			--
0062	CMCV00009		CLIP UNI 1676	1,00			--
0063	VTVT00017		SCREW TE UNI 5739 8X35 ZB	1,00			--
0064	VTDD87083		NUT AUTOBLOK DIN 985 M8 BASSO	1,00			--
0065	GUVR00010		GASKET	0,70			--
0066	GUVR00010		GASKET	1,10			--
0067	CUVR86373		BEARING 6000 2RS	1,00			--
0068	LAFN11114		PIN	1,00			--
0069	VTVT00678		SCREW	3,00			--
0070	CUVR00164		BEARING 6002RS -SKF-	1,00			--
0071	VTVR00006		KEY UNI 6604 4X4X35	1,00			--
0072	VTVT24209		SCREW TCCE UNI 5931 6X12 ZB	1,00			--
0073	LAFN06782		BUSHING PER CUSCINETTO	1,00			--
0074	LAFN06783		BUSHING PER CUSCINETTO 1	1,00			--
0075	VTRS00553		WASHER PARAPOLVERE	1,00			--



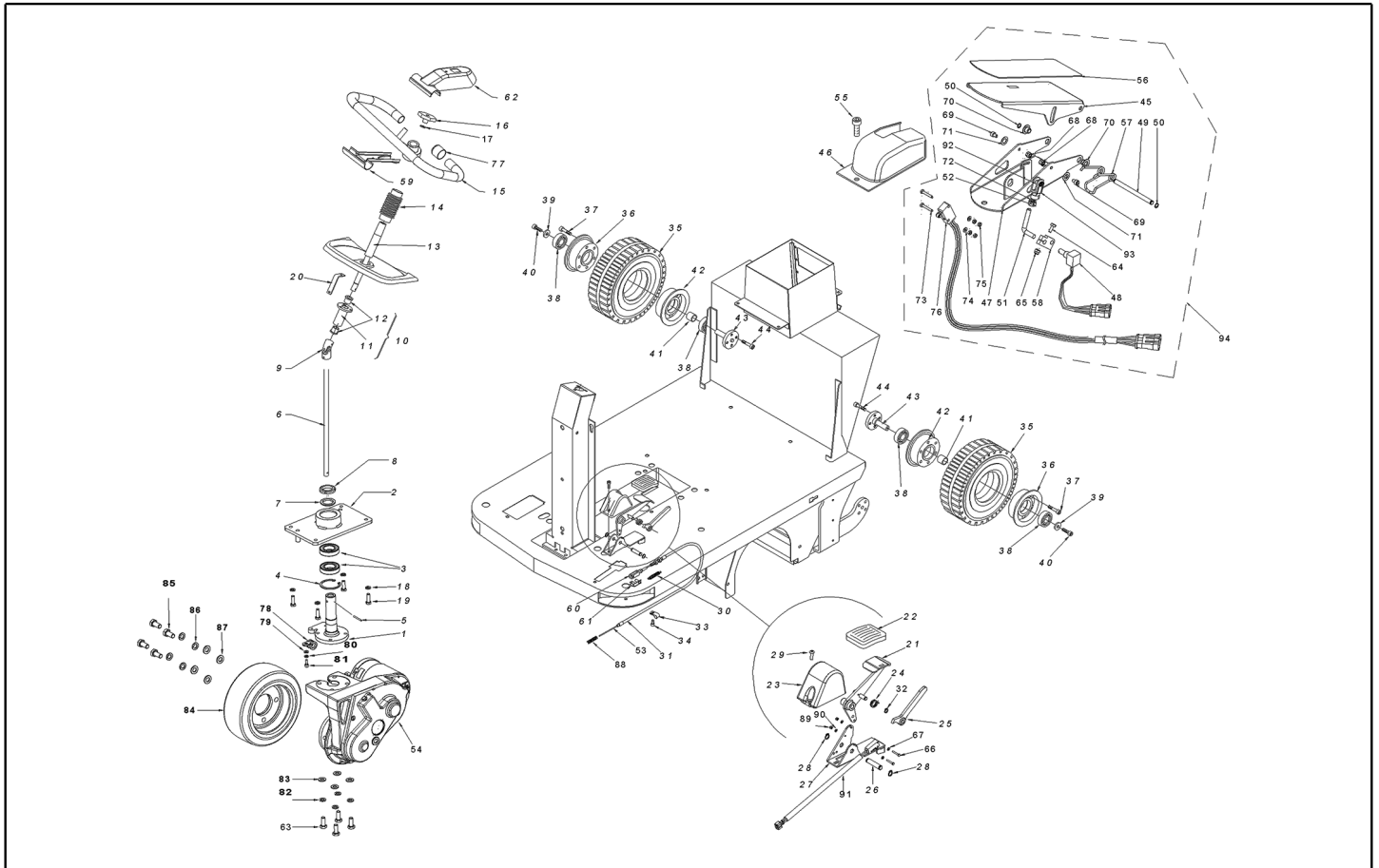
Ref. K	Part n.	Part n. 2	Description	Quantity	Validity		Price
					From	To	
0001	SPPV00056		CENTRAL BRUSH D.280X640 6R0.PPL 0.5/1.2	1,00			--
0002	VTVT00131		SCREW TCCE UNI 5931 12X60 ZB	1,00			--
0003	LAFN44772		SUPPORT SPAZ.CENTR.1400/1300/1200	1,00			--
0004	MLML45098		SPRING SPAZZ.CENTRAL.D.25X3zb	1,00			--
0005	CUVR46942		BALL BEARING 6001-2RS1 -SKF	1,00			--
0006	VTAE00010		SEEGER INTERNO DIN 472 D.28	1,00			--
0007	LAFN06356		PLANE SPAZZOLA CENTRALE	1,00			--
0008	LAFN01169		SPACER S.C.	1,00			--
0009	VTDD00012		NUT AUTOBLOK DIN 985 M12 ZB	1,00			--
0010	VTVR47015		INSERT PLASTICA (MEDREVITE)	4,00			--
0011	RTRT00022		HANDWHEEL D.30 M6X15	2,00			--
0012	MPVR04710		FLAP LATERALE DX/SX NERO	1,00			--
0013	LAFN00325		CLAMP FLAP LATER.TK1050 ZINC.	1,00			--
0014	VTVT00044		SCREW TC AF.X PLAS UNI9707 4X16	4,00			--
0015	VTVT00124		HANDWHEEL D.40 M8	1,00			--
0016	LAFN00816		ARM ASPORT.SPAZZ.CENTR.ZINC.	1,00			--
0017	LAFN47055		HOSE COLLAR C3 D.18 SOLO PVC	4,00			--
0018	LAFN44774		HUB 1050	1,00			--
0019	VTAE00020		SEEGER I32 DIN472	1,00			--
0020	CUVR46942		BALL BEARING 6001-2RS1 -SKF	1,00			--
0021	LAFN11240		SPACER 12x18x4	1,00			--
0022	LAFN11239		PIN	1,00			--
0023	MTPL00023		PULLEY SPAZZOLA CENTRALE	1,00			--
0024	VTVT08937		SCREW TCCE UNI 5931 6X10 ZB	3,00			--
0025	MTCG00018		BELT POLY PJ724/285J	1,00			--
0026	LAFN11238		ARM CENTRAL BRUSH	1,00			--
0027	LAFN11113		ARM	1,00			--
0028	VTRS01079		WASHER D. 6 GROWER	3,00			--
0029	LAFN11115		ROLLER	1,00			--
0030	CUVR86373		BEARING 6000 2RS	1,00			--
0031	VTAE13513		CIRCLIP D. 26 UNI 7437	1,00			--
0032	LAFN47051		PIN FISSAG.TENDICING.1400	1,00			--
0033	LAFN47033		BUSHING FISSAGGIO PERNO PEDALI	1,00			--
0034	LAFN11241		BUSHING	1,00			--
0035	LAFN11242		WASHER	1,00			--
0036	VTRS04026		WASHER D. 6X18X2.38	1,00			--
0037	MOCC00297		MOTOR 300W	1,00			--
0038	VTVR13165		KEY UNI 6604 5X5X20	1,00			--
0039	VTVT06237		SCREW TCCE UNI 5931 6X20 ZB	4,00			--
0040	MTPL00022		PULLEY MOTORE SPAZZ.CENTR TK1050	1,00			--
0041	VTRS63242		WASHER UNI 6593 6X24X2 ZB	1,00			--
0042	VTVT75725		SCREW TBCE ISO 7380 6X10 ZB	1,00			--
0043	VTVT06236		SCREW TCCE UNI 5931 6X40 ZB	4,00			--
0044	LAFN00358		LEVER DI RINVIO SPAZZ. CENTRALE	1,00			--



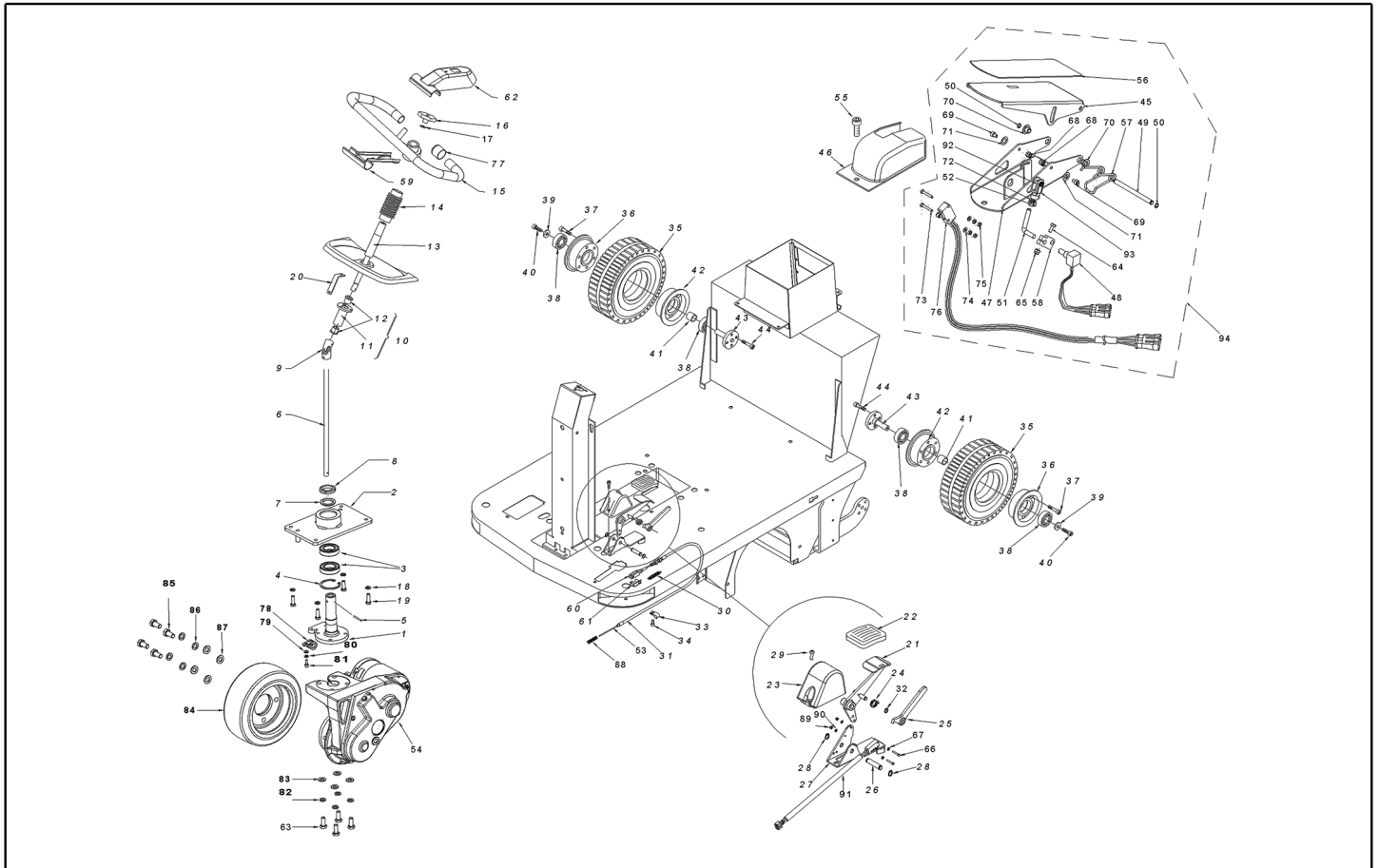
Ref. K	Part n.	Part n. 2	Description	Quantity	Validity		Price
					From	To	
0045	LAFN00359		LINK-ROD TK 1050	1,00			--
0046	LAFN00533		PIN LEVA DI RINVIO SPAZZ.CENT	1,00			--
0047	VTVT63029		SCREW TCCE UNI 5931 6X35 ZB	1,00			--
0048	VTVT00104		SCREW TE UNI 5739 6X18 ZB	2,00			--
0049	VTDD19688		NUT M6 UNI 7473	2,00			--
0050	LAFN45099		DRIVE DISK CENTRAL BRUSH	1,00			--
0051	VTVT01705		SCREW 4X45 UNI 9709	2,00	29/04/2015		--
0051	VTVT47138		SCREW AUTOF.TSP UNI 6955 3,9X32	2,00		28/04/2015	--
0052	MECB00983		WIRING ATTUATORE	1,00			--
0053	MEVR00080		FUSE-HOLDER PV610 10A	1,00			--
0054	MEVR00079		FUSE 3,15A 250V 5X20	1,00			--
0055	VTVT37013		SCREW TE M 6X100 UNI 5737	1,00			--
0056	VTAE00009		SEGER INTERNO DIN 472 D.20	1,00			--
0057	LAFN00124		BUSHING BATTUTA CILINDRO	2,00			--
0058	MPVR45279		CASE PORTAMOLLA SPAZ.CENT.1400	1,00			--
0059	MLML00018		SPRING D.20X2X81 X CILIND.STAB.	1,00			--
0060	LAFN00756		GUIDE ASTUCC.MOLLA SPAZ.CENTR.	1,00			--
0061	CMCV00006		FORK UNI 1676 M6X24	1,00			--
0062	CMCV00009		CLIP UNI 1676	1,00			--
0063	VTVT00017		SCREW TE UNI 5739 8X35 ZB	1,00			--
0064	VTDD87083		NUT AUTOBLOK DIN 985 M8 BASSO	1,00			--
0065	GUVR00010		GASKET	0,70			--
0066	GUVR00010		GASKET	1,10			--
0067	CUVR86373		BEARING 6000 2RS	1,00			--
0068	LAFN11114		PIN	1,00			--
0069	VTVT00678		SCREW	3,00			--
0070	CUVR00164		BEARING 6002RS -SKF-	1,00			--
0071	VTVR00006		KEY UNI 6604 4X4X35	1,00			--
0072	VTVT24209		SCREW TCCE UNI 5931 6X12 ZB	1,00			--



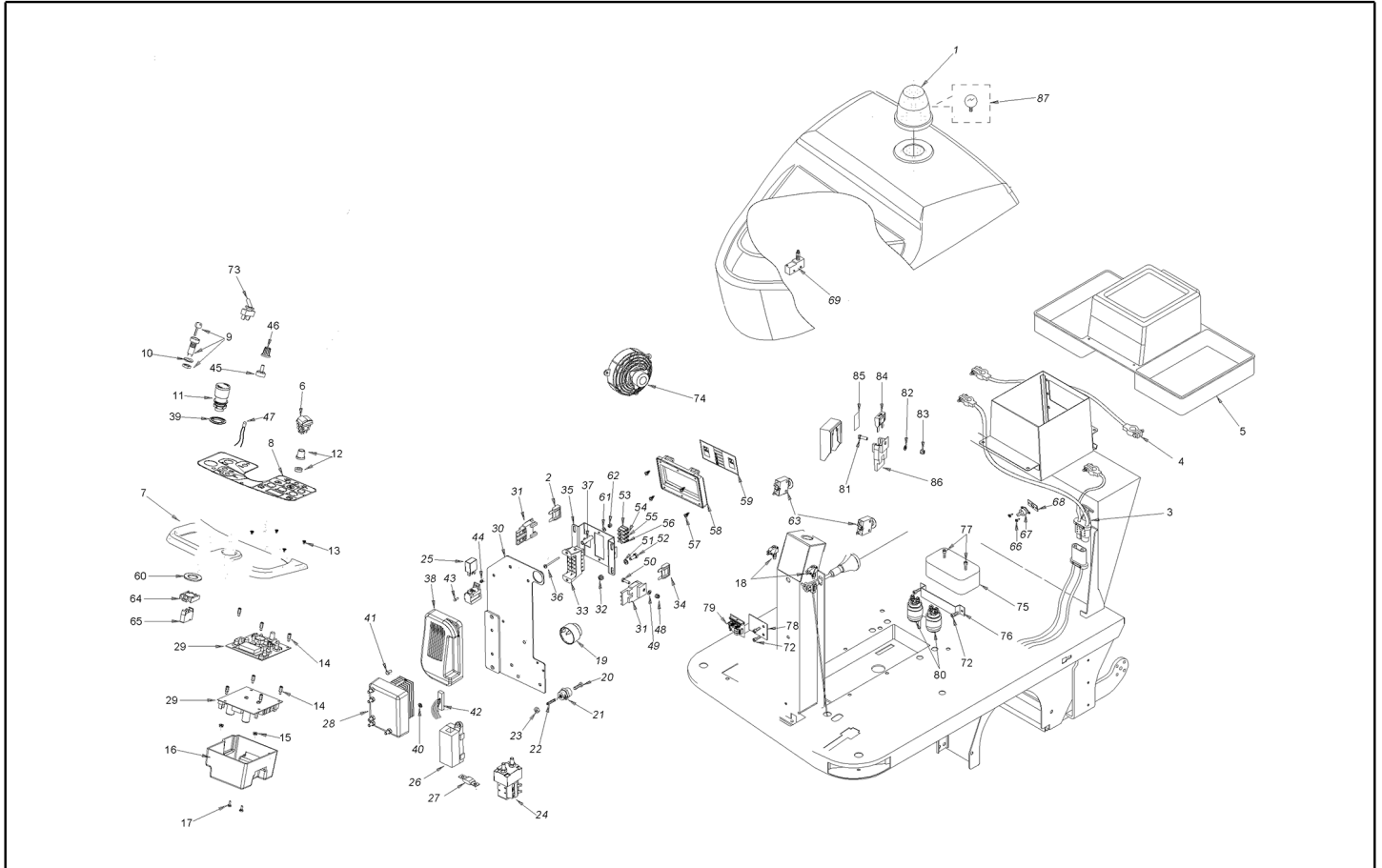
Ref. K	Part n.	Part n. 2	Description	Quantity	Validity		Price
					From	To	
0001	LAFN09414		SPACER -	1,00			--
0002	LAFN09415		SPACER -	1,00			--
0003	CUVR00025		BEARING 6006 2RS 30X55X13	2,00			--
0004	VTAE00015		SEEGER INTERNO DIN 472 D.55	1,00			--
0005	VTVR46987		ELASTIC PLUG DIN 1481 5X25	1,00			--
0006	ALTR00039		SHAFT STERZO G1050	1,00			--
0007	LAFN01173		SPACER RALLA STERZO	1,00			--
0008	VTVT00114		RING NUT AUTOBLOK M30X1,5 GUK	1,00			--
0009	VTVR00057		ARTICULATION STEERING	1,00			--
0010	PMTR00077		BUSHING PORTA PIANTONE VOLANTE	1,00			--
0011	LAFN00149		BUSHING PORTA PIANTONE TK1050 ZIN	1,00			--
0012	LAFN75841		BUSHING CENTR.PIGNONE RUOTA ANT.	2,00			--
0013	ALTR00031		SHAFT PER VOLANTE TK 1050 ZINC.	1,00			--
0014	MPVR47066		PROTECTOR X ALBERO SPAZZOLA TK1000	1,00			--
0015	SESD00022		STEERING WHEEL G1050 USA COMPLETO	1,00			--
0016	VTVT00456		SCREW TE UNI 5739 10X25 ZB	1,00			--
0017	VTRS00514		WASHER UNI 6593 10X30X2,5 ZB	1,00			--
0018	VTRS01080		WASHER D. 8 GRW	4,00			--
0019	VTVT00447		SCREW TE 8X25 UNI5739	4,00			--
0020	LAFN01184		BRACKET FISSA CRUSCOTTO	1,00			--
0021	LAFN11138		PEDAL	1,00			--
0022	MPVR45096		PEDAL COVER GRANDE V1021	1,00			--
0023	MPVR11518		COVERING -	1,00			--
0024	MLML00035		SPRING RICHIAMO PEDALE B.F.G1050	1,00			--
0025	LAFN01147		PEDAL BLOCCO G1050	1,00			--
0026	LAFN11140		PIN	1,00			--
0027	LAFN11139		SUPPORT	1,00			--
0028	VTAE87276		SEEGER EXT. D10 DIN471	2,00			--
0029	VTVT09916		SCREW TBCE ISO 7380 6X20 ZB	1,00			--
0030	MLML45109		SPRING ALZAFLAP TK1400	1,00			--
0031	CMC000473		SHEATH	1,00			--
0032	VTAE14096		SEEGER ESTERNO DIN 471 D.8	1,00			--
0033	FSVR00005		CLAMP D.10 F.8,5 Inox430	1,00			--
0034	VTVT75719		SCREW TE FR 6X10 ZB ZIGRINATE	1,00			--
0035	RTRT00034		RING GOMMA RUOTA NERA	2,00			--
0036	LAFN85290		HUB ruota 124x57,5	2,00			--
0037	VTVT00066		SCREW TCCE UNI 5931 8X25 ZB	12,00			--
0038	CUVR00005		BEARING 6202 2RS	4,00			--
0039	VTRS63242		WASHER UNI 6593 6X24X2 ZB	2,00			--
0040	VTVT75726		SCREW TBCE ISO 7380 6X16 ZB	2,00			--
0041	LAFN00275		SPACER INTERNO RUOTA POST.TK1300	2,00			--
0042	LAFN85380		HUB RUOTA POST.D124 H.33.5	2,00			--
0043	LAFN00530		WHEEL PIN POSTERIORE LARGGA TK1050	2,00			--
0044	VTVT45340		SCREW TSCE UNI 5933 8X16 ZB	8,00			--



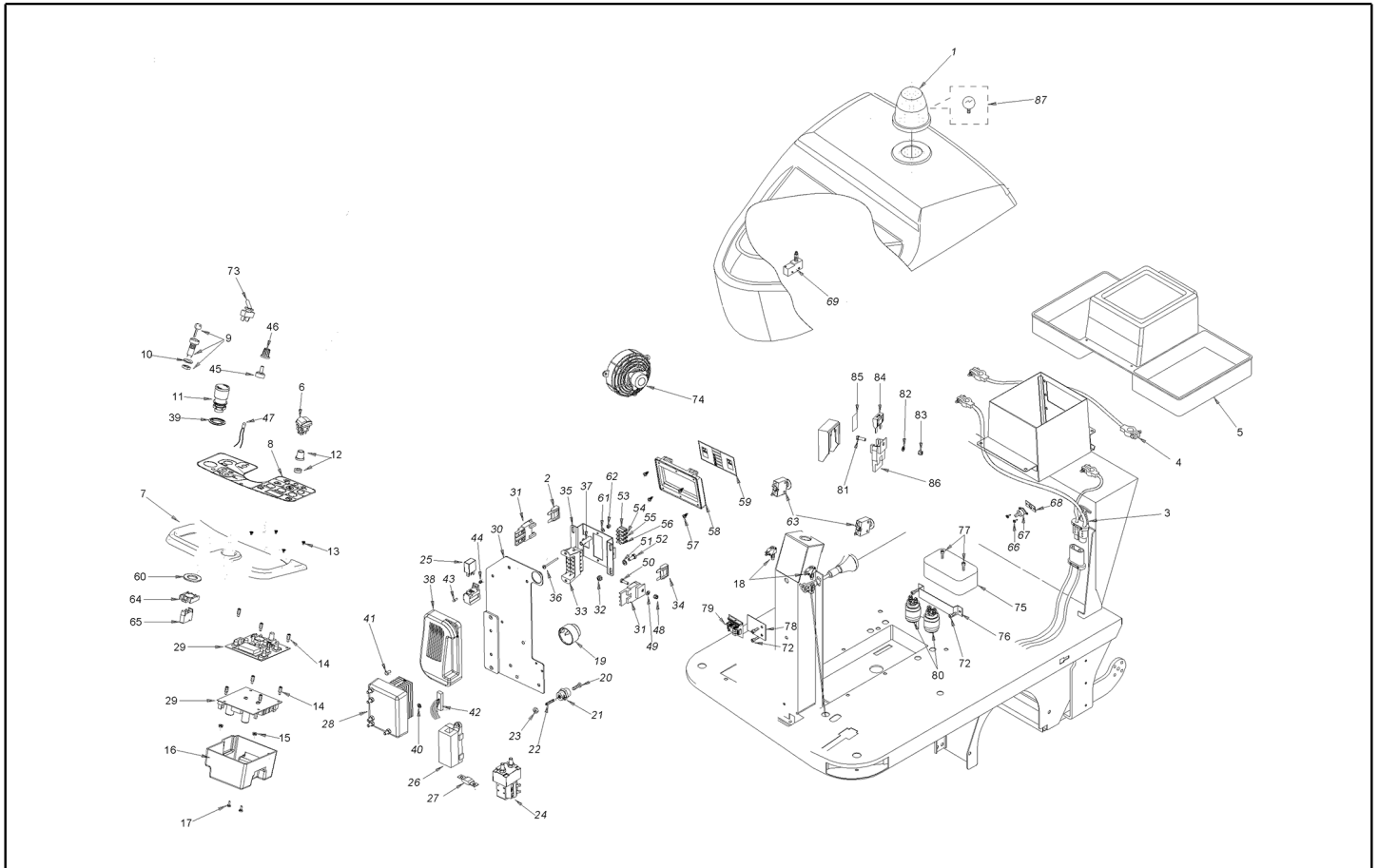
Ref. K	Part n.	Part n. 2	Description	Quantity	Validity		Price
					From	To	
0045	LAFN06474		SHEET METAL PA. PEDALE	1,00			--
0046	MPVR00302		CRANKCASE PEDALE AVANZAMENTO	1,00			--
0047	LAFN07532		BASE -	1,00			--
0048	MECB01227		WIRING ACCELERATOR	1,00			--
0049	LAFN00524		PIN PEDALE TK 1050	1,00			--
0050	VTAE48552		CIRCLIP ESTERNO DIN 471 D.6	2,00			--
0051	LAFN00909		BRACKET BIELLETTA PEDALE	1,00			--
0052	VTDD00482		NUT M 6 ZIN UNI 5588	1,00			--
0053	CMCV00472		CABLE	1,00			--
0054	MOCC00452		MOTOR MOTORWHEEL G1050 NEW	1,00			--
0055	VTVT62920		SCREW TE FR 6X16 ZB ZIGRINATE	1,00			--
0056	MPVR00866		PLANE ANTISDRUCCIOLO G1050	1,00			--
0057	MLML00034		SPRING PEDALE AVANZAMENTO G1050	1,00			--
0058	LAFN01149		CONNECTING ROD PEDALE AVANZAMENTO G1050	1,00			--
0059	MPVR04653		COVER INFERIORE VOLANTE	1,00			--
0060	CMCV00006		FORK UNI 1676 M6X24	1,00			--
0061	CMCV00009		CLIP UNI 1676	1,00			--
0062	MPVR04652		COVER SUPERIORE VOLANTE	1,00			--
0063	VTVT00456		SCREW TE UNI 5739 10X25 ZB	4,00			--
0064	VTVT00727		SCREW TE M. 4-20	1,00			--
0065	VTDD04369		NUT M 4 TEF UNI 7473	1,00			--
0066	VTVT01350		SCREW M3-20 INOX	2,00			--
0067	VTRS21116		WASHER D. 3 INX	1,00			--
0068	VTDD04369		NUT M 4 TEF UNI 7473	2,00			--
0069	VTVT00089		SCREW TCCE UNI 5931 4X10 ZB	2,00			--
0070	CUVR00183		BUSHING -	2,00			--
0071	MPVR05528		WASHER -	2,00			--
0072	VTRS01079		WASHER D. 6 GROWER	1,00			--
0073	VTVT01350		SCREW M3-20 INOX	2,00			--
0074	VTRS00117		WASHER 3.2X7 UNI6592	2,00			--
0075	VTDD21115		NUT M 3 INOX	4,00			--
0076	MECB01228		WIRING -	1,00			--
0077	MPVR05256		CAP GPN-280 ER32	2,00			--
0078	FSVR00043		CLAMP D.16 F.8,5 InOX430	1,00			--
0079	VTRS00503		WASHER D. 6 UNI 6592	1,00			--
0080	VTRS01079		WASHER D. 6 GROWER	1,00			--
0081	VTVT09913		SCREW TCCE UNI 5931 6X16 ZB	1,00			--
0082	VTRS00107		WASHER M10 Grower	4,00			--
0083	VTRS00505		WASHER D.10 UNI 6592	4,00			--
0084	RTRT00579		WHEEL -	1,00			--
0085	VTVT00026		SCREW TE UNI 5739 12X25 ZB	4,00			--
0086	VTRS15919		WASHER D.12 GROVER UNI 1751 INX	4,00			--
0087	VTRS15978		WASHER D.12X24 UNI 6592 INX	4,00			--
0088	MLML00033		SPRING ALZAFLAP SILVER ZB	1,00	20/10/2016		--



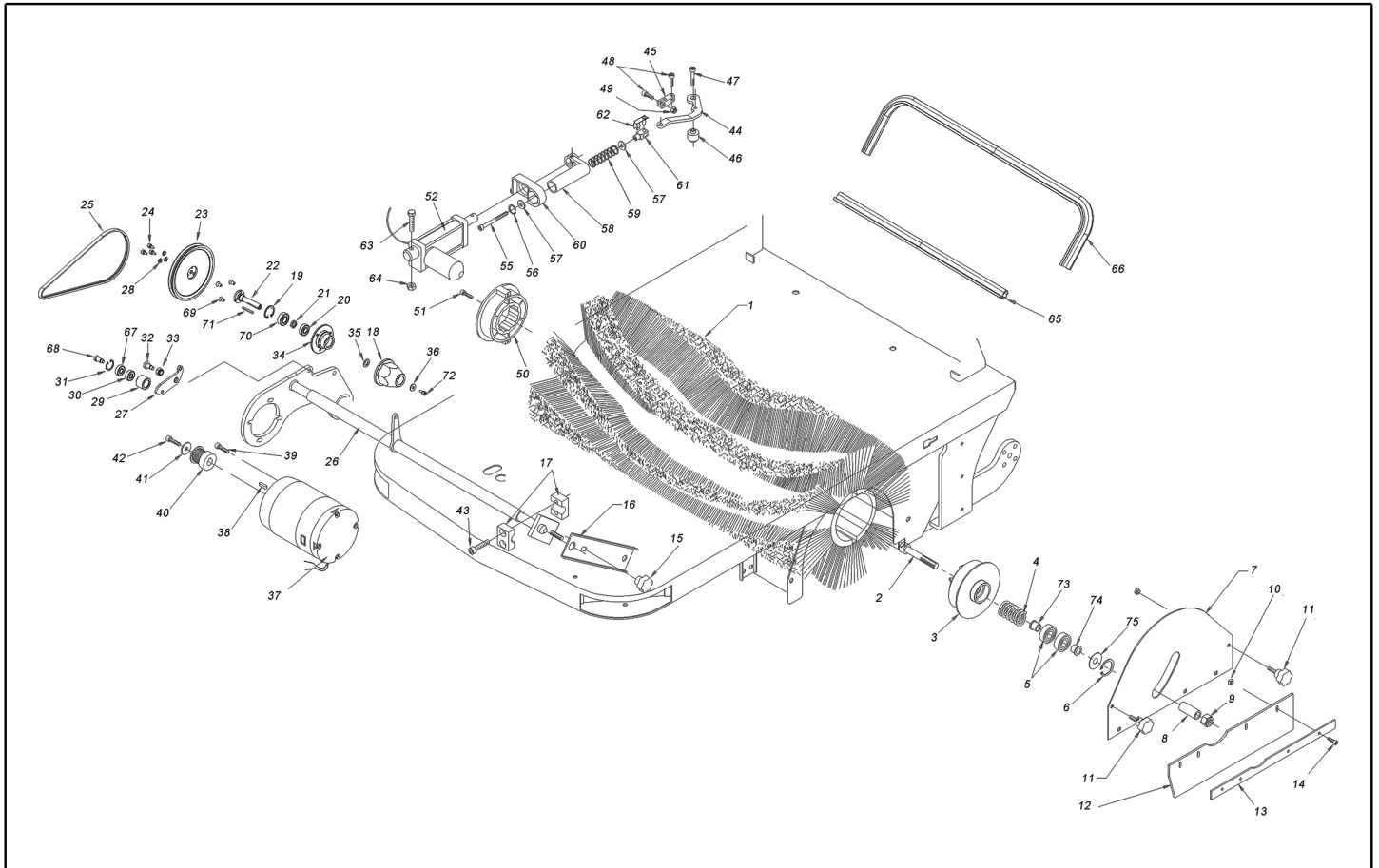
Ref. K	Part n.	Part n. 2	Description	Quantity	Validity		Price
					From	To	
0089	VTDD00210		NUT M 3 AUTOBL.DIN 985 IX.A2	2,00			--
0090	VTRS21116		WASHER D. 3 INX	2,00			--
0091	MECI00637		MICROSWITCH -	1,00			--
0092	CMCV76639		FORK M 6 UNI 1676	1,00			--
0093	CMCV75717		CLIP UNI 1676 M6x12	1,00			--
0094	PMVR02056		KIT THROTTLE	1,00			--



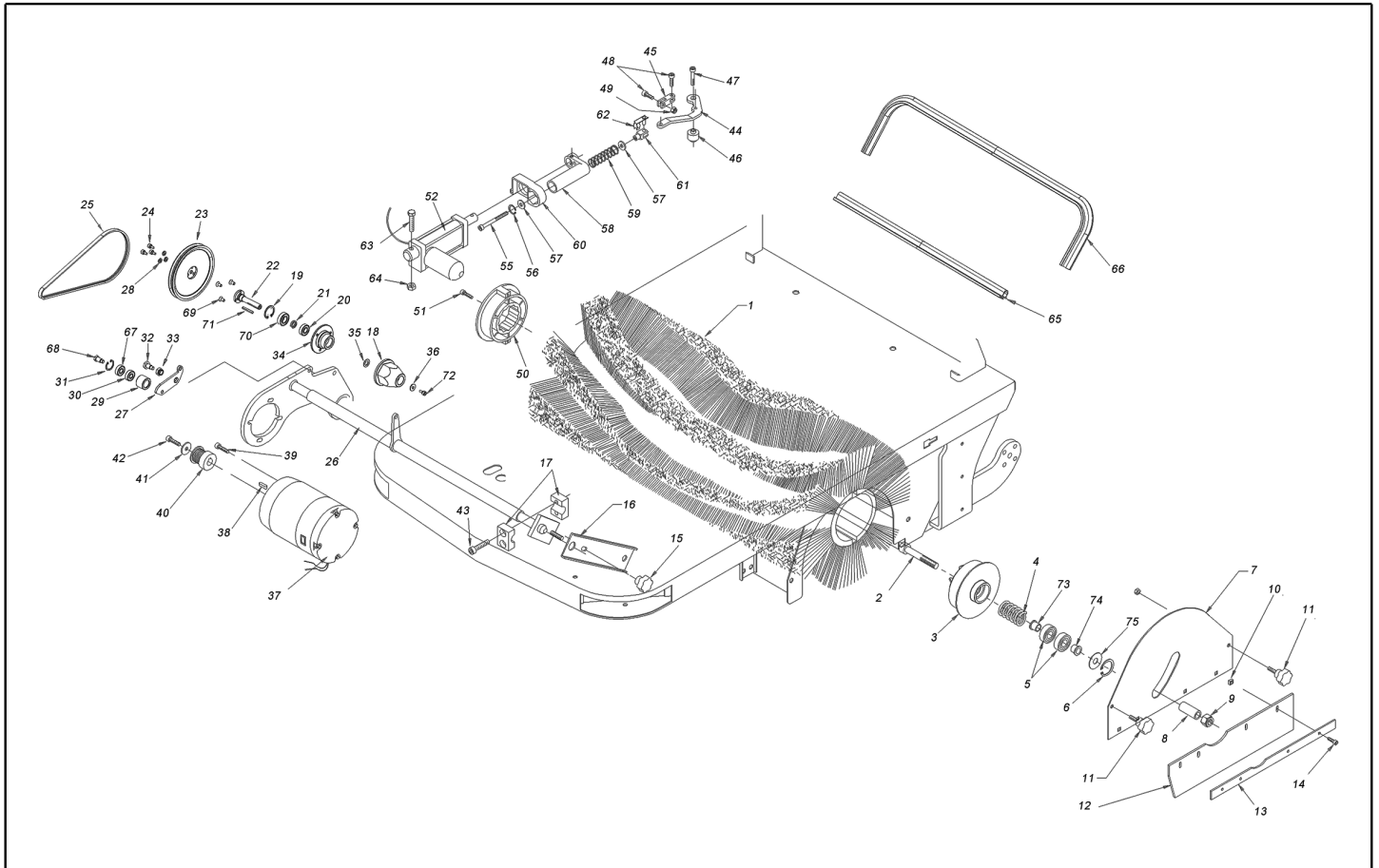
Ref. K	Part n.	Part n. 2	Description	Quantity	Validity		Price
					From	To	
0001	MEVR00935		FLASHING LIGHT G1050	1,00			--
0002	MEVR00644		FUSE MAXIVAL 30A	1,00			--
0003	MECB00126		CABLE COLLEG. BATTERIA G1050	1,00			--
0004	MEVR34820		WIRING BATTERY BRIDGE W/TERMINAL	3,00			--
0005	MPVR00298		CONTAINER BATTERIA TK1050	1,00			--
0006	MECI00038		SWITCH BIPOLORE	1,00			--
0007	MPVR00300		INSTR.PANEL TERMOFORMATO TK1050	1,00			--
0008	MEVR01984		DASHBOARD PLANCIA G1050	1,00			--
0009	MECI75805		SWITCH KEY FOR BATTERY MACHINES	1,00			--
0010	VTRS00023		WASHER DENTATA INT.UNI 6798 D.18	1,00			--
0011	MECI00582		SWITCH EMERGENCY LOVATO LPCB6634	1,00			--
0012	MECE00498		BOARD G1050-G1202	1,00			--
0013	VTVT01711		SCREW M4x6 UNI7688	4,00			--
0014	LAFN11146		COLUMN	4,00			--
0015	VTDD00528		NUT M4 ZB DIN 6923	4,00			--
0016	MPVR04902		COVER SCHEDA MICRO	1,00			--
0017	VTVT00288		SCREW TCTC 4X10	2,00			--
0018	MECI75801		MICROSWITCH A PISTONE (MS/10-Z15GC)	2,00			--
0019	MEVR01436		BUZZER -	1,00			--
0020	VTVT75719		SCREW TE FR 6X10 ZB ZIGRINATE	2,00			--
0021	MEVR47082		INSULATOR MM35 M6 CH 32	2,00			--
0022	VTVT47088		GRUB SCREW UNI 5923 6X30 GREZZO	2,00			--
0023	VTDD00004		NUT M 6 ZC UNI5588	2,00			--
0024	MECI00532		CONTACTOR 24V-100A	1,00			--
0025	MECI00005		RELAY 24V 10/20A	1,00			--
0026	MEVR00146		FUSE-HOLDER MEGA	1,00			--
0027	MEVR00145		FUSE 100A	1,00			--
0028	MECE00495		BOARD 1050	1,00		01/03/2020	--
0028	MECE00860		BOARD 1050-1202	1,00	02/03/2020		--
0029	MECE00498		BOARD G1050-G1202	1,00			--
0030	LAFN11472		SUPPORT ELECTRONIC BOARD	1,00			--
0031	MEVR00613		FUSE CARRIER MAXIVAL with cover	2,00			--
0032	VTDD00128		SELF-LOCJ.NUT M5	2,00			--
0033	MEVR01387		BODY SENZA TERMINALI	1,00			--
0034	MEVR00618		FUSE 60A	1,00			--
0035	LAFN11444		BRACKET 1050	1,00			--
0036	VTVT17336		SCREW 4X45 TCB UNI7687	2,00		03/12/2020	--
0036	VTVT01509		SCREW TE M. 4-45	2,00	04/12/2020		--
0037	LAFN06735		SPACER 6-8 H31.5	2,00			--
0038	MECE00497		BOARD CURTIS TR. CARD 1050-1202	1,00			--
0039	MPVR11692		ADAPTER BOTTON	1,00			--
0040	VTRS00365		THICKNESS 18X25X1	2,00			--
0041	VTVT01127		SCREW TE M6x20	2,00			--
0042	MECB02155		WIRING 1050	1,00			--



Ref. K	Part n.	Part n. 2	Description	Quantity	Validity		Price
					From	To	
0043	VTVT00003		SCREW TE M 4X 12 ZC. UNI 5739	1,00			--
0044	VTDD04369		NUT M 4 TEF UNI 7473	1,00			--
0045	KTRIO5576		KIT POTENTIOMETER SPEED CONTR	1,00			--
0046	KTRIO1935		KIT 1050-1202	1,00			--
0047	KTRIO2054		KIT LED DIAGNOSTIC CURTIS	1,00			--
0048	VTDD00128		SELF-LOCJ.NUT M5	2,00			--
0049	VTRS00502		WASHER D. 5 0.466 UNI 6592	2,00			--
0050	VTVT14062		SCREW TE UNI 5739 5X16 ZB A.8.8	2,00			--
0051	VTRS00503		WASHER D. 6 UNI 6592	4,00			--
0052	VTVT01531		SCREW TE 6X 16 UNI 5739	4,00			--
0053	MEVR00584		FUSE 3A	1,00			--
0054	MEVR01428		FUSE 2 A UNIVAL	1,00			--
0055	MEVR01132		FUSE A LAMA 5 A.	1,00	19/02/2020		--
0055	MEVR01428		FUSE 2 A UNIVAL	1,00		18/02/2020	--
0056	MEVR01316		FUSE A LAMA 10 A. 32V	1,00			--
0057	VTVT48694		SCREW TCB TC 5 X12 UNI 9707 TZ	4,00			--
0058	MEVR00232		DOOR TO REMOVE AND RESET FUSE	1,00			--
0059	ETET16484		LABEL 1050	1,00			--
0060	MPVR11693		WASHER Ø22,5X39,6X2,4 PA	1,00			--
0061	VTRS00501		WASHER D. 4 0.232 UNI 6592	2,00			--
0062	VTDD04369		NUT M 4 TEF UNI 7473	2,00			--
0063	METT00044		FUSE CIRCUIT BREAKER 10A	2,00			--
0064	MECI00583		SMALL BASKET -	1,00			--
0065	MECI00584		CONTACT NC	1,00			--
0066	VTVT00039		SCREW TC UNI 6954 3.5X10 AUTOF.	2,00			--
0067	METK00017		SENSOR TEMPERATURE 70°C	1,00			--
0068	GUGO00675		GASKET -	1,00			--
0069	MECI75801		MICROSWITCH A PISTONE (MS/10-Z15GC)	1,00			--
0072	VTVT09913		SCREW TCCE UNI 5931 6X16 ZB	2,00			--
0073	MECI75945		COMMUTAT.SWITCH 3 POSIZ.FUNZ.MACCH.+CAPP	1,00			--
0074	VEVR00001		IMPELLER 24V F08-12C001-01B R5,6	1,00			--
0075	MPVR47166		CRANKCASE PROTEZIONE TELERUT.TK1400	1,00			--
0076	LAFN47167		BRACKET PORTA TELERUT.TK1400 ZINC	1,00			--
0077	VTVT00093		SCREW TBCE ISO 7380 6X12 ZB	2,00			--
0078	LAFN06459		BRACKET PORTA SCHEDA RELE'	1,00			--
0079	MECE45124		PCB RELÉ TK1400	1,00			--
0080	METT45116		CONTACTOR T106P 24V 100%	2,00			--
0081	VTVT14062		SCREW TE UNI 5739 5X16 ZB A.8.8	1,00			--
0082	VTRS00240			1,00			--
0083	VTDD00128		SELF-LOCJ.NUT M5	1,00			--
0084	MEVR02048		FUSE 40A	1,00			--
0085	ETET16596		LABEL FUSE	1,00			--
0086	MEVR00613		FUSE CARRIER MAXIVAL with cover	1,00			--
0087	MELF33431		LAMP 24V/21W	1,00			--



Ref. K	Part n.	Part n. 2	Description	Quantity	Validity		Price
					From	To	
0001	SPPV00056		CENTRAL BRUSH D.280X640 6R0.PPL 0.5/1.2	1,00			--
0002	VTVT47048		SCREW TCCE UNI 5931 12X80 ZB	1,00			--
0003	MPVR04923		SUPPORT SPAZZOLA CENTRALE	1,00			--
0004	MLML00295		SPRING SPAZZOLA CENTRALE	1,00			--
0005	CUVR17004		BALL BEARING 6202 -2RS1	2,00			--
0006	VTAE17002		CIRCLIP D. 35 UNI 7437	1,00			--
0007	LAFN06356		PLANE SPAZZOLA CENTRALE	1,00			--
0008	LAFN01169		SPACER S.C.	1,00			--
0009	VTDD00012		NUT AUTOBLOK DIN 985 M12 ZB	1,00			--
0010	VTVR47015		INSERT PLASTICA (MEDREVITE)	4,00			--
0011	RTRT00022		HANDWHEEL D.30 M6X15	2,00			--
0012	MPVR04710		FLAP LATERALE DX/SX NERO	1,00			--
0013	LAFN00325		CLAMP FLAP LATER.TK1050 ZINC.	1,00			--
0014	VTVT00044		SCREW TC AF.X PLAS UNI9707 4X16	4,00			--
0015	VTVT00124		HANDWHEEL D.40 M8	1,00			--
0016	LAFN00816		ARM ASPORT.SPAZZ.CENTR.ZINC.	1,00			--
0017	LAFN47055		HOSE COLLAR C3 D.18 SOLO PVC	4,00			--
0018	LAFN44774		HUB 1050	1,00			--
0019	VTAE00020		SEEGER I32 DIN472	1,00			--
0020	CUVR46942		BALL BEARING 6001-2RS1 -SKF	1,00			--
0021	LAFN11240		SPACER 12x18x4	1,00			--
0022	LAFN11239		PIN	1,00			--
0023	MTPL00023		PULLEY SPAZZOLA CENTRALE	1,00			--
0024	VTVT08937		SCREW TCCE UNI 5931 6X10 ZB	3,00			--
0025	MTCG00018		BELT POLY PJ724/285J	1,00			--
0026	LAFN11238		ARM CENTRAL BRUSH	1,00			--
0027	LAFN11113		ARM	1,00			--
0028	VTRS01079		WASHER D. 6 GROWER	3,00			--
0029	LAFN11115		ROLLER	1,00			--
0030	CUVR86373		BEARING 6000 2RS	1,00			--
0031	VTAE13513		CIRCLIP D. 26 UNI 7437	1,00			--
0032	LAFN47051		PIN FISSAG.TENDICING.1400	1,00			--
0033	LAFN47033		BUSHING FISSAGGIO PERNO PEDALI	1,00			--
0034	LAFN11241		BUSHING	1,00			--
0035	LAFN11242		WASHER	1,00			--
0036	VTRS04026		WASHER D. 6X18X2.38	1,00			--
0037	MOCC00297		MOTOR 300W	1,00			--
0038	VTVR13165		KEY UNI 6604 5X5X20	1,00			--
0039	VTVT06237		SCREW TCCE UNI 5931 6X20 ZB	4,00			--
0040	MTPL00022		PULLEY MOTORE SPAZZ.CENTR TK1050	1,00			--
0041	VTRS63242		WASHER UNI 6593 6X24X2 ZB	1,00			--
0042	VTVT75725		SCREW TBCE ISO 7380 6X10 ZB	1,00			--
0043	VTVT06236		SCREW TCCE UNI 5931 6X40 ZB	4,00			--
0044	LAFN00358		LEVER DI RINVIO SPAZZ. CENTRALE	1,00			--



Ref. K	Part n.	Part n. 2	Description	Quantity	Validity		Price
					From	To	
0045	LAFN00359		LINK-ROD TK 1050	1,00			--
0046	LAFN00533		PIN LEVA DI RINVIO SPAZZ.CENT	1,00			--
0047	VTVT63029		SCREW TCCE UNI 5931 6X35 ZB	1,00			--
0048	VTVT00104		SCREW TE UNI 5739 6X18 ZB	2,00			--
0049	VTDD19688		NUT M6 UNI 7473	2,00			--
0050	LAFN45099		DRIVE DISK CENTRAL BRUSH	1,00			--
0051	VTVT01705		SCREW 4X45 UNI 9709	2,00			--
0052	MOCC00494		ACTUATOR 1050	1,00			--
0055	VTVT37013		SCREW TE M 6X100 UNI 5737	1,00			--
0056	VTAE00009		SEEGER INTERNO DIN 472 D.20	1,00			--
0057	LAFN00124		BUSHING BATTUTA CILINDRO	2,00			--
0058	MPVR45279		CASE PORTAMOLLA SPAZ.CENT.1400	1,00			--
0059	MLML45281		SPRING FOR SHOCK ABSORBER	1,00			--
0060	LAFN00756		GUIDE ASTUCC.MOLLA SPAZ.CENTR.	1,00			--
0061	CMCV00006		FORK UNI 1676 M6X24	1,00			--
0062	CMCV00009		CLIP UNI 1676	1,00			--
0063	VTVT00017		SCREW TE UNI 5739 8X35 ZB	1,00			--
0064	VTDD87083		NUT AUTOBLOK DIN 985 M8 BASSO	1,00			--
0065	GUVR00622		GASKET L=0,7MT	1,00			--
0066	GUVR00623		GASKET L=1,1MT	1,00			--
0067	CUVR86373		BEARING 6000 2RS	1,00			--
0068	LAFN11114		PIN	1,00			--
0069	VTVT00678		SCREW	3,00			--
0070	CUVR00164		BEARING 6002RS -SKF-	1,00			--
0071	VTVR00006		KEY UNI 6604 4X4X35	1,00			--
0072	VTVT24209		SCREW TCCE UNI 5931 6X12 ZB	1,00			--
0073	LAFN06782		BUSHING PER CUSCINETTO	1,00			--
0074	LAFN06783		BUSHING PER CUSCINETTO 1	1,00			--
0075	VTRS00553		WASHER PARAPOLVERE	1,00			--