

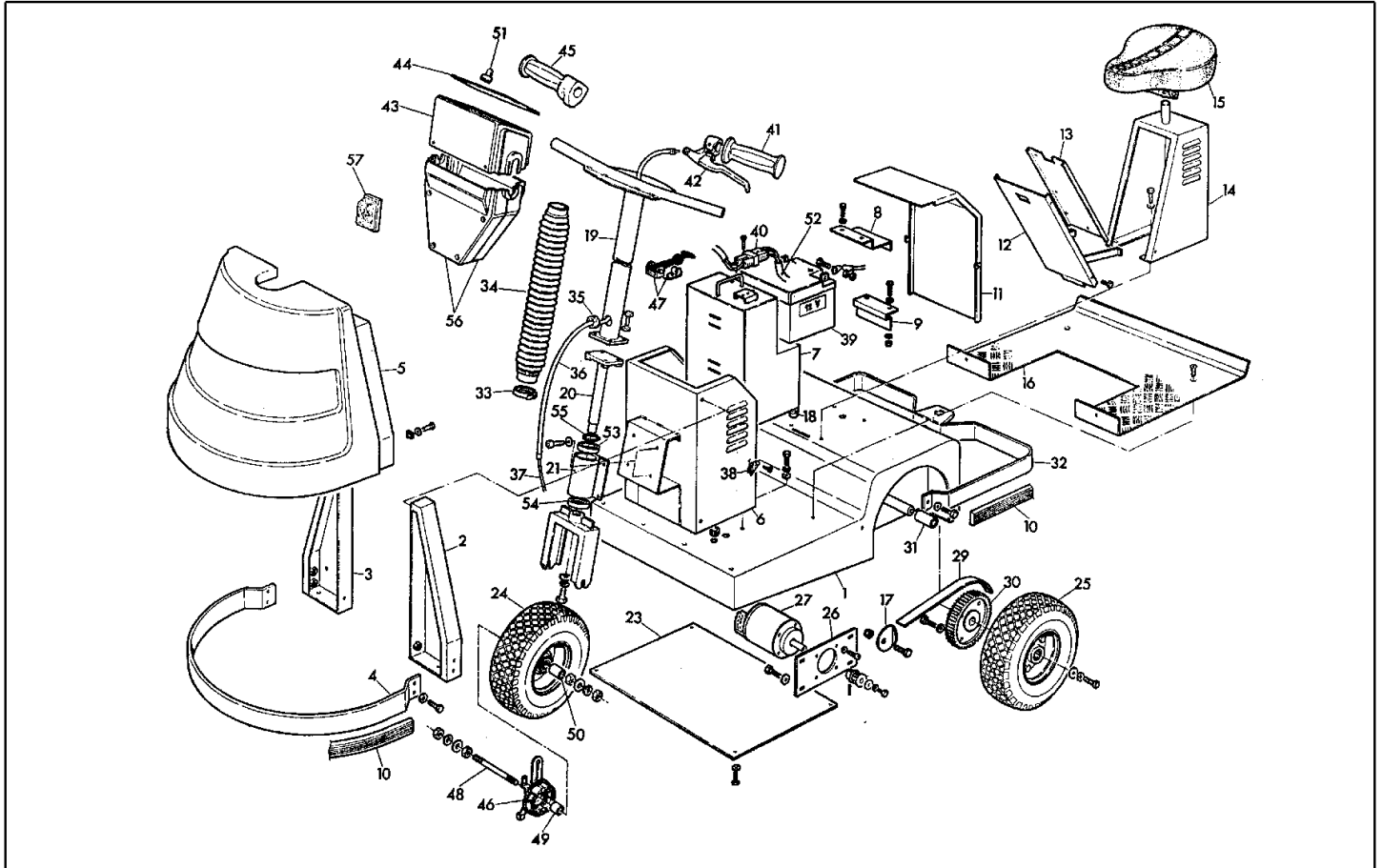


IPC

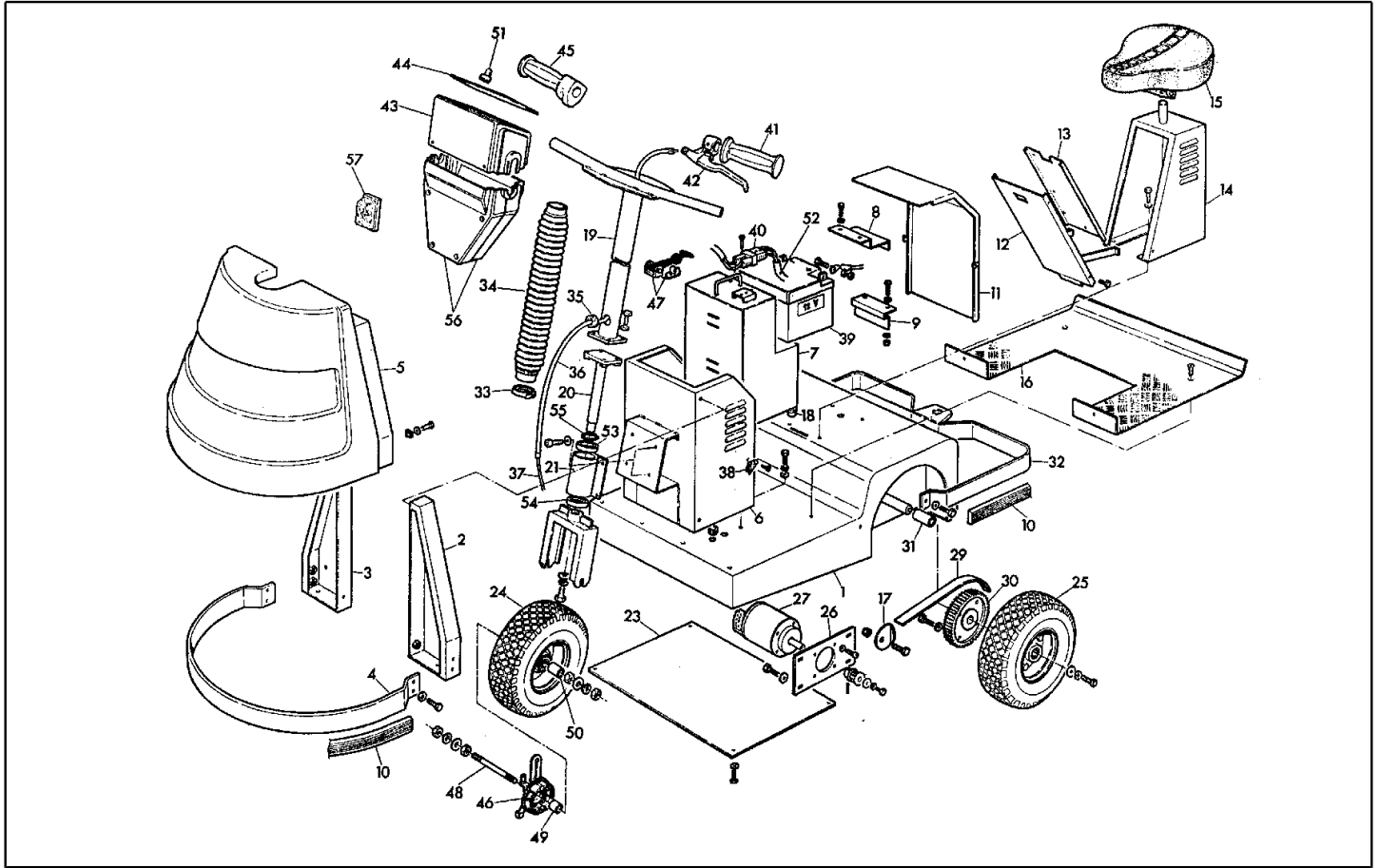
Spare parts list

Ref: ELVC42020

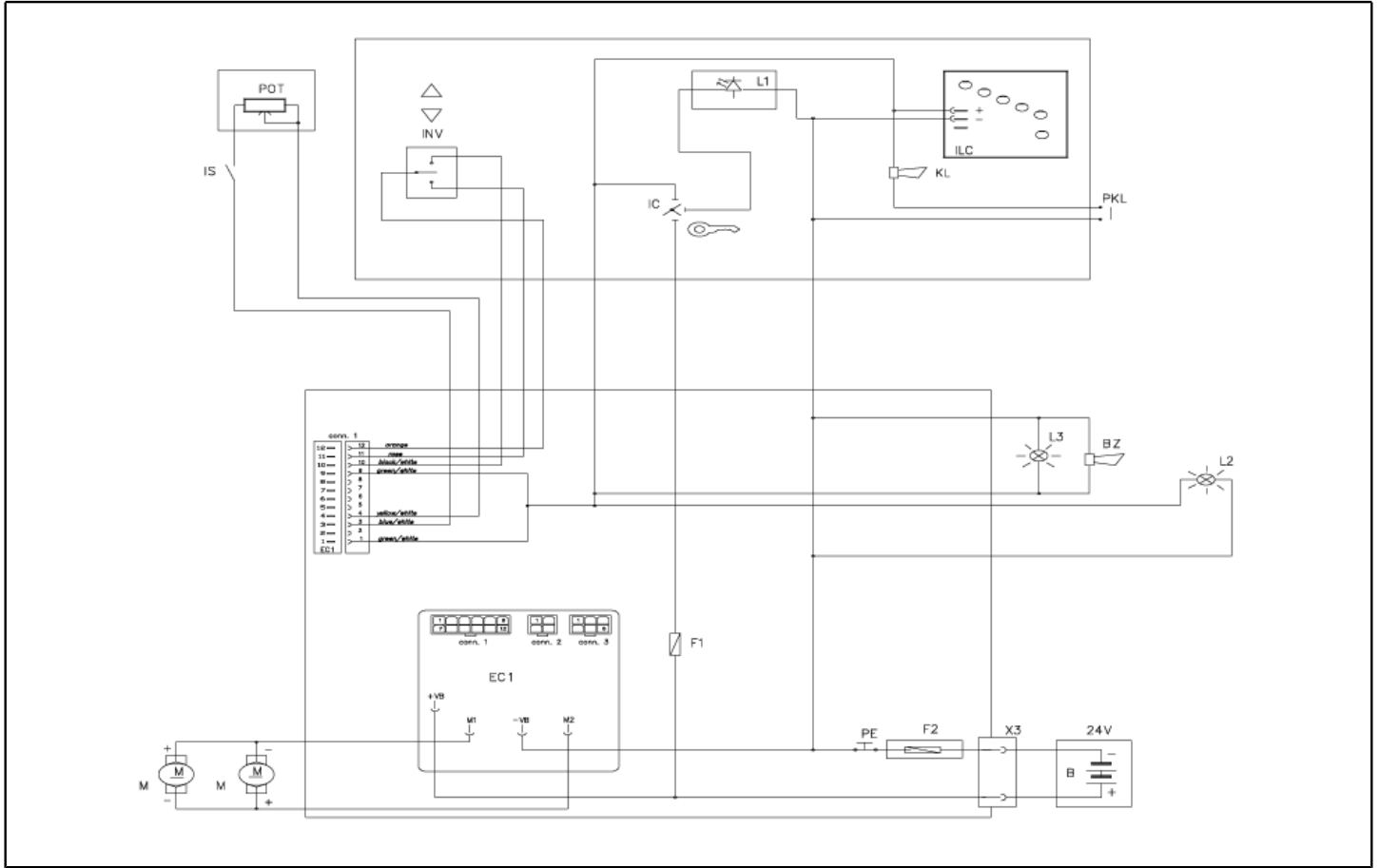
Model: ELECTR. VEHICLE TIGER 250G AT II PRT



Ref. K	Part n.	Part n. 2	Description	Quantity	Validity		Price
					From	To	
0001	LAFN29833		BODY TIG.200	1,00	01/02/2009		--
0002	LAFN29840		BOX SUPPORT TIG.200 SX	1,00	26/04/1999	13/09/2001	--
0003	LAFN29838		BOX SUPPORT TIG.200 DX	1,00	26/04/1999	13/09/2001	--
0004	LAFN29845		ANT.BUMPER TIG.200	1,00	26/04/1999		--
0005	MPVR36018		HOOD TIG.200 ABS	1,00	26/04/1999	10/09/2002	--
0005	MPVR43776		HOOD TIG.200 ABS GF.	1,00	01/02/2009		--
0006	LAFN42237		BATTERY BOX TIG.250 II	1,00	02/06/1999		--
0007	LAFN29868		BATTERY SUPPORT TIG.200	1,00	26/04/1999		--
0008	LAFN29870		BATT.BRACKET TIG.200 SUP.	1,00	26/04/1999		--
0009	LAFN29872		BATT.BRACKET TIG.200 INF.	1,00	26/04/1999		--
0010	MPVR30857		BUMPER 31 X 13 PVC.BK	0,96	26/04/1999		--
0011	LAFN29803		BOX COVER TIG.200	1,00	01/02/2009		--
0012	LAFN42210		LID TIG.250 II	1,00	02/06/1999		--
0013	LAFN33061		JUNCTION BOARD TIG.200	1,00	02/06/1999		--
0014	LAFN40127		SUPPORT T.250 GR.	1,00	01/02/2009		--
0014	LAFN42213		SADDLE SUPPORT TIG.250 II	1,00	26/04/1999	31/01/2009	--
0015	SESD29848		SADDLE PU 290X260	1,00	02/06/1999	05/12/2004	--
0015	SESD88786		SADDLE RVS BK. C/P. TIG.	1,00	06/12/2004	31/01/2009	--
0015	SESD40002		SEAT SC 74 S/GD.	1,00	01/02/2009		--
0016	MPVR43879		PLANE T.250	1,00	01/02/2009		--
0017	LAFN34349		BELT-STRETCHER D. 12-80 INX	2,00	01/02/2009		--
0018	ABGO34061		VIBRATION DAMP. CL.25X17- 1M6X12 60SH NBR	4,00	26/04/1999		--
0019	LAFN38547		UP STEERING L.95-TIG.	1,00	15/06/2007		--
0020	LAFN38549		LOW STEERING L.95-TIG.	1,00	02/06/1999		--
0021	LAFN35787		SUPPORT TIGER	1,00	02/06/1999		--
0023	LAFN34145		PANEL TIG. 250	1,00	01/02/2009		--
0024	RTRT34988		WHEEL D.260-D.12X 85 PIE.AT. TB	1,00		31/03/2023	--
0024	CUVR31731		BALL BEARING 6201-2RS1	1,00			--
0024	RTRT40072		WHEEL D.3.00-4" D.12 PIE.AT. TB	1,00	01/04/2023		--
0025	RTRT34989		WHEEL D.260-D.20X 85 PIE.AT CU	2,00		31/03/2023	--
0025	RTRT40073		WHEEL D.3.00-4" D.20 PIE.AT CU	2,00	01/04/2023		--
0026	LAFN38043		MOTOR PLATE TIG.250-300	1,00	26/04/1999		--
0027	MOCC34041		TRACTION MOTOR CC MP 24V 200W 1500G +PL	1,00	30/06/1999		--
0029	MTCC35802		BELT HTD 525-5M 25	2,00	01/02/2009	31/01/2017	--
0029	MTCC40002		BELT 525-5M GT3 25	2,00	01/02/2017		--
0030	MTP41947		PULLEY HTD 72.5M 25 D.50	1,00	01/04/2023		--
0031	LAFN29924		SPACER D. 25-21 L=37	2,00			--
0032	LAFN29847		BACK BUMPER TIG.200	1,00	26/04/1999		--
0033	FSVR01874		CLAMP LG 31916 9 X260 N	2,00	15/06/2007		--
0034	MPVR35714		PROTECTOR D. 55-50X230	1,00	15/06/2007		--
0036	CMCV29816		SHEATH VIPLAST L=1060 3 X6	1,00	15/06/2007		--
0037	CMCV29817		CORD D. 2 L=1800	1,00	15/06/2007		--
0038	CHVR29801		CLOSURE L= 40 X15	2,00	02/06/1999		--
0039	BAAC29876		BATTERY 38 AH 12V DC P.GEL	2,00			--



Ref. K	Part n.	Part n. 2	Description	Quantity	Validity		Price
					From	To	
0040	MEVR07039		CONNECTOR BATTERY SB50 GRAY	1,00			--
0041	MPVR40015		KNOB D. 22 L=124 SIR	1,00	15/06/2007	14/12/2022	--
0042	CMCV29815		CONTROL LEVER D. 22 + STZ. SX TIG.	1,00			--
0042	CMCV40002		LEVER D.22 C/STZ. MN. C.16	1,00	15/06/2007		--
0042	CMCV33525		LEVER D.22 NYL	1,00	26/04/1999	10/01/2007	--
0042	CMCV40002		LEVER D.22 C/STZ. MN. C.16	1,00	15/02/2007	14/06/2007	--
0043	MPVR33115		INSTR.PANEL L.9000 - TIG. 2.V PP	1,00	15/06/2007		--
0044	ETET42221		LABEL TIG. 250 II PLC	1,00	15/06/2007		--
0045	MEVR40004		KNOB D.22 DX TIG.	1,00	15/06/2007		--
0045	MEVR31306		KNOB D.22 DX TIGER 300	1,00	26/04/1999	14/06/2007	--
0046	RTRT31164		BLOCK BRAKE R D. 90-D.12 SX TIG2	1,00	01/04/2023	31/10/2023	--
0046	RTRT40076		BLOCK BRAKE R D. 90-D.20 SX 2V.CP.	1,00	01/11/2023		--
0047	CHVR03765		HOOK L=67	1,00	26/04/1999		--
0048	LAFN41941		WHEEL PIN D.12 L=165 2XM12 IX	1,00	01/04/2023		--
0049	LAFN41949		SPACER D. 13-16 L= 28	1,00	01/04/2023		--
0050	LAFN41939		SPACER D. 13-16 L= 31	1,00	01/04/2023		--
0050	LAFN41363		SPACER D. 65-86 L= 2 ZC	1,00	01/04/2023		--
0051	MEVR34121		COWLING T 115	1,00	15/06/2007		--
0052	MECB38652		CABLE N.208 1X10 SG L=1.8/1.8	1,00	26/04/1999		--
0053	CUVR15981		BALL BEARING 6205 2RS1	1,00	02/06/1999		--
0054	CUVR35782		BALL BEARING 7205 BE	1,00	02/06/1999		--
0055	VTAE09655		SEEGER ESTERNO DIN 471 D.25	1,00	02/06/1999		--
0056	MPVR33116		HALF BEARING PP 2.V	1,00	01/06/2023		--
0056	MPVR33116		HALF BEARING PP 2.V	2,00	15/06/2007	31/05/2023	--
0056	MPVR41277		HALF BEARING PP 2.V TG.	1,00	01/06/2023		--
0057	MELF38915		LANTERN COBO ORANGE	1,00	15/06/2007	31/05/2023	--
0057	MELF40013		LANTERN 5 LED 12-24V L.AMBRA	1,00	01/06/2023		--



Ref. K	Part n.	Part n. 2	Description	Quantity	Validity		Price
					From	To	
B	BAAC29876		BATTERY 38 AH 12V DC P.GEL	2,00			--
BZ	MECB42944		BUZZER D.42 PK-35A29WQ CBL	1,00	01/01/2001		--
F1	MEVR31121		FUSE 5 A BEIGE	1,00	07/02/2000		--
F2	MEVR30515		FUSE 80A NST.	1,00	25/03/2000		--
IC	MECI30416		SWITCH ZADI 8328	1,00	15/06/2007		--
IS	MECI37826		BUTTON ON-OFF INST. TIG.	1,00		12/02/2001	--
IS	MECI40050		FEED PEDAL PML/F 15A 250V An.BK/TIG.	1,00	10/04/2018		--
IS	MECI42352		FEED PEDAL MP 6114/F 240V 16A	1,00	09/02/2001	09/04/2018	--
L1	MELF38917		LAMP 24V 10W SF.	1,00	15/06/2007	31/05/2023	--
L2	MELF12177		LAMP FLASH 24V 21W AR.	1,00			--
PE	MECI32516		SWITCH 25A COBO	1,00	02/06/1999		--
PE	MPVR32517		KNOB TIG.	1,00	01/02/2009		--
PE	MPVR32518		CAP COBO	1,00	01/02/2009		--
EC1	MECE34378		ELEC.CIRCUIT PM01 80A 24V	1,00	01/02/2009	10/02/2012	--
EC1	MECE40016		PCB 4QHf 2D 90A 24V	1,00	11/02/2012	09/11/2023	--
EC1	MECE40126		PCB 4QHf 3D 90A 24V	1,00	10/11/2023		--
EC2	MECE38916		ELEC.CIRCUIT INT. 12/24V 20W TIG	1,00	15/06/2007	31/05/2023	--
ILC	MECE34453		ELEC.CIRCUIT LED L.ME 24V 2.V	1,00	15/06/2007		--
INV	MECI34120		SWITCH T 115-EA	1,00	15/06/2007		--
PKL	MECI30417		SWITCH D.15 TIG.	1,00	15/06/2007		--
POT	MEVR31306		KNOB D.22 DX TIGER 300	1,00			--