

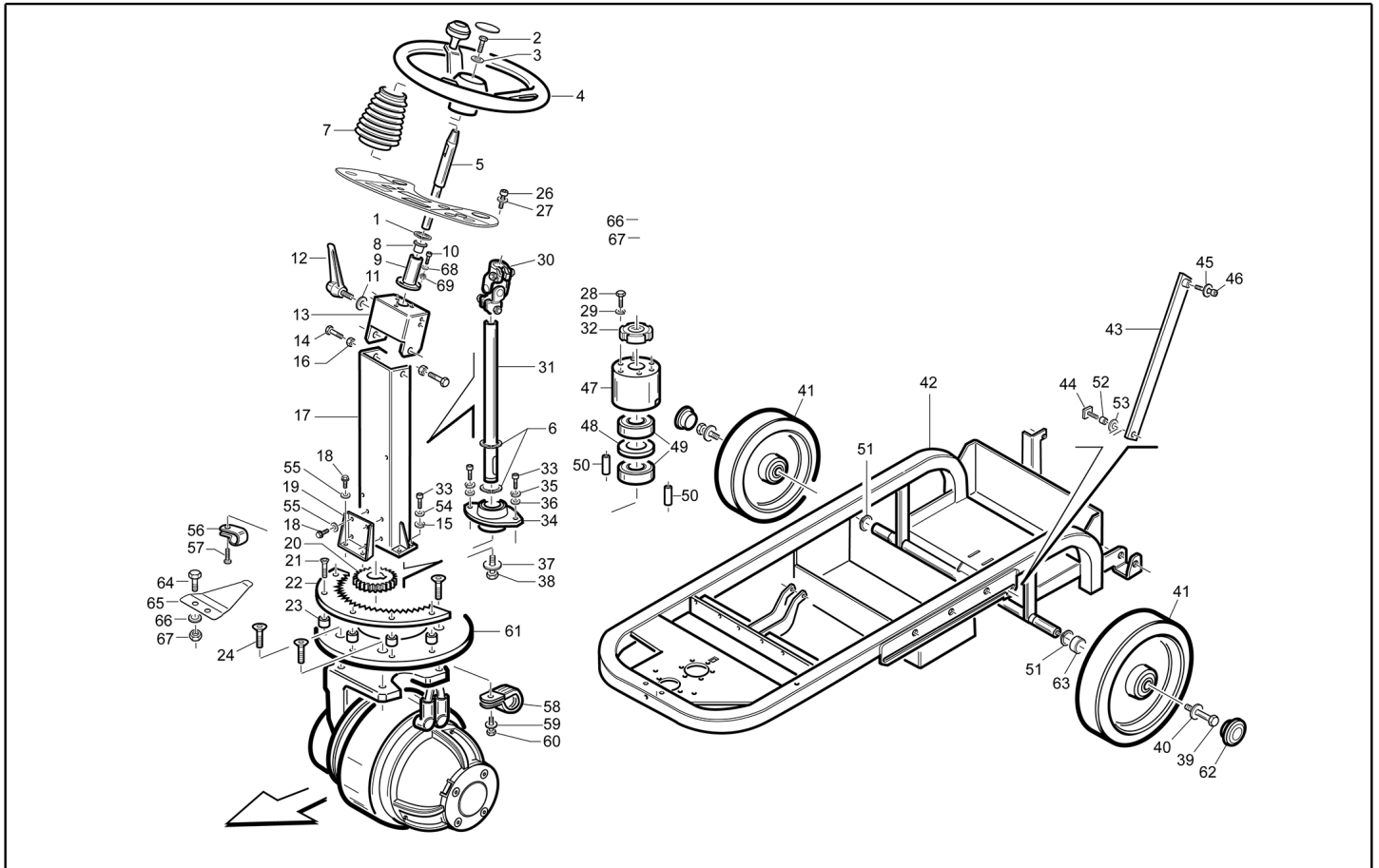


IPC

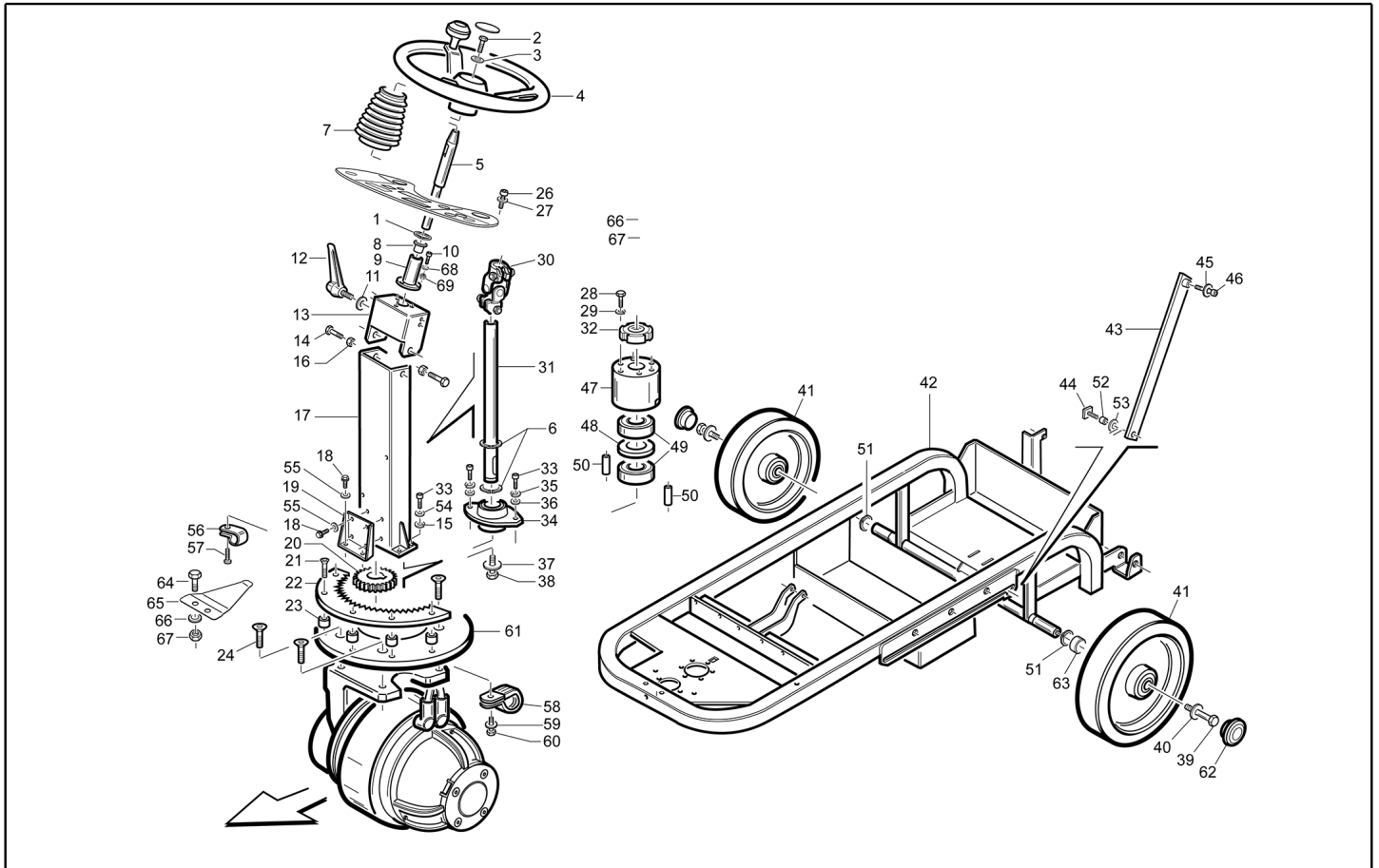
Spare parts list

Ref: LPTB02458

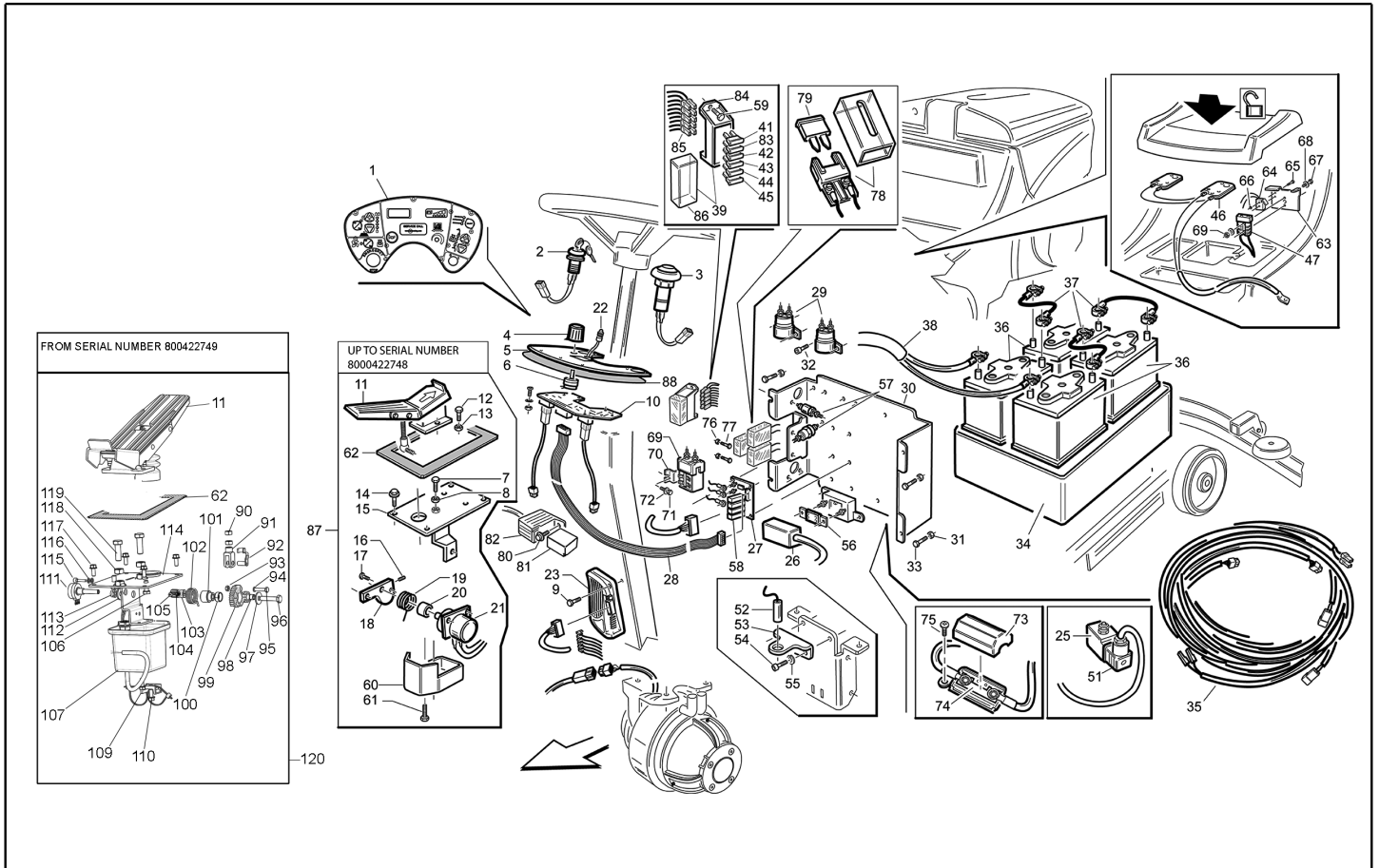
Model: FLOOR WASHER CT110 BT70+CB+BAT



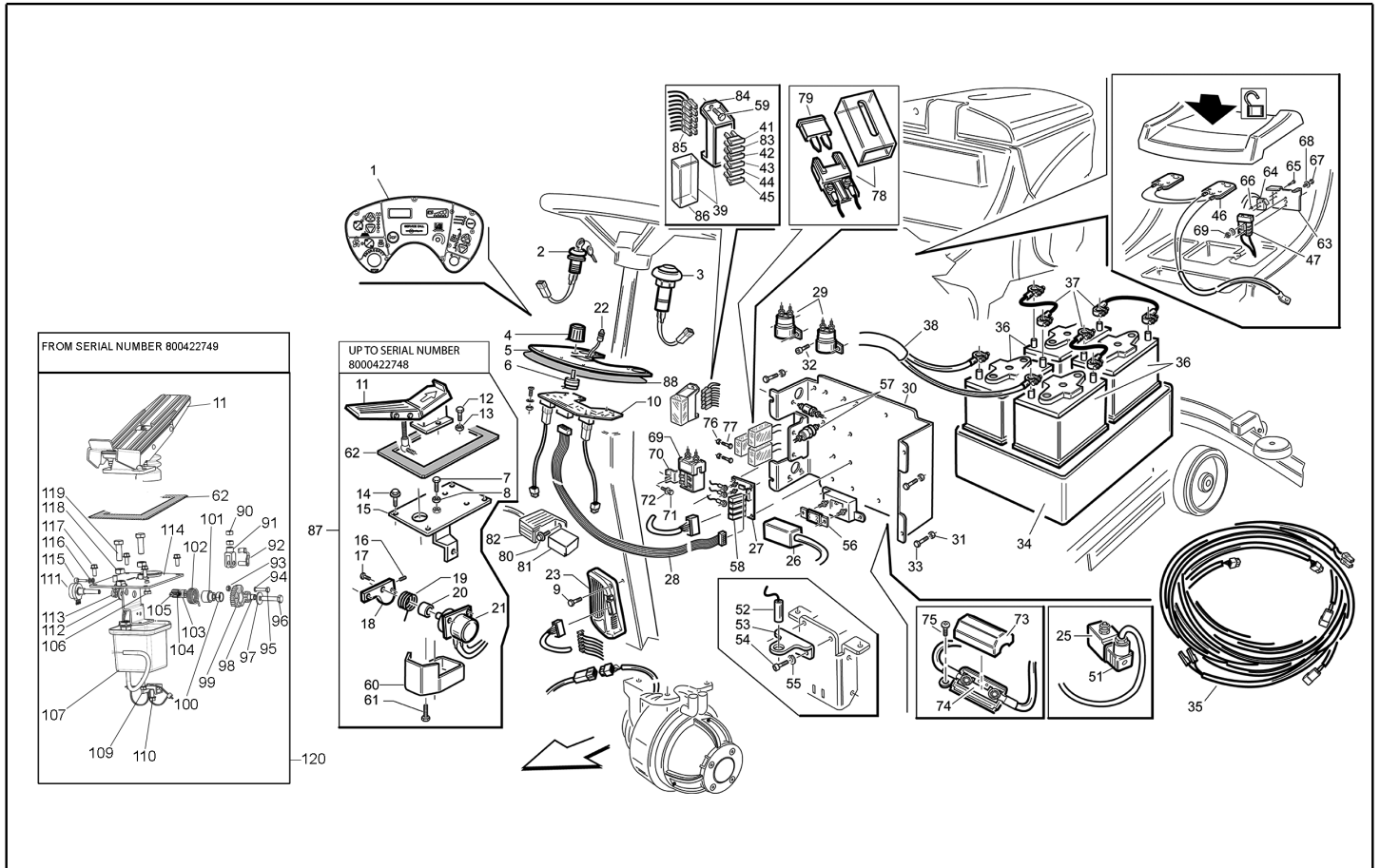
Ref. K	Part n.	Part n. 2	Description	Quantity	Validity		Price
					From	To	
0001	VTAE17003		CIRCLIP ESTERNO DIN 471 D.15	2,00			--
0002	VTVT00457		SCREW TE M 10X30 ZINC. UNI 5739	1,00			--
0003	VTRS44254		WASHER UNI 6593 10X40X2,5 ZB	1,00			--
0004	MPVR47027		STEERING WHEEL D.320 SENZA POMELLO	1,00			--
0005	ALTR00031		SHAFT PER VOLANTE TK 1050 ZINC.	1,00			--
0006	VTAE06193		CIRCLIP D. 20 UNI 7435	2,00			--
0007	MPVR05237		PROTECTOR -	1,00			--
0008	LAFN75841		BUSHING CENTR.PIGNONE RUOTA ANT.	2,00			--
0009	LAFN00149		BUSHING PORTA PIANTONE TK1050 ZIN	1,00			--
0010	VTVT62920		SCREW TE FR 6X16 ZB ZIGRINATE	3,00		26/03/2017	--
0010	VTVT09913		SCREW TCCE UNI 5931 6X16 ZB	3,00	27/03/2017		--
0011	VTRS13946		WASHER D. 8 X24 INX UNI 6593	1,00			--
0012	MPVR05250		HANDLE M8X25	1,00			--
0013	KTRI02058		KIT REGOLAZIONE STERZO CT110	1,00			--
0014	VTVT13936		SCREW TE M 10X 20	2,00			--
0015	VTRS13947		WASHER D. 8 INX UNI 6592	4,00			--
0016	VTDD00493		NUT M10 TEF	2,00			--
0017	LAFN06362		UP STEERING CT110	1,00		13/06/2022	--
0017	LAFN11794		SUPPORT .	1,00	14/06/2022		--
0018	VTVT15143		SCREW TE 6X16 UNI5739	6,00		22/03/2010	--
0018	VTVT13939		SCREW TE 6X20 UNI5739 INX	6,00	23/03/2010		--
0019	LAFN06508		BRACKET PIANTONE	1,00			--
0020	LAFN06377		PIINION STEERING	1,00			--
0021	VTVT00062		SCREW TSCE UNI 5933 6X25 ZB	5,00			--
0022	LAFN06373		BRAKE CT110	1,00			--
0023	LAFN06844		SPACER CORONA	5,00			--
0024	VTVT00263		SCREW TSPEI M10x30	4,00			--
0026	VTVT37012		SCREW M 4X 10 TCB-TC INX	5,00			--
0027	VTRS00515		WASHER D. 4 INX	5,00			--
0028	VTVT00410		SCREW TE M8x35 UNI5739 INOX	5,00			--
0029	VTRS15146		WASHER GROVER A2 UNI1751	5,00			--
0030	VTVR00057		ARTICULATION STEERING	1,00			--
0031	LAFN06374		SHAFT STERZO	1,00			--
0032	VTVR75747		RING NUT AUTOBLOK M35X1,5 GUK	1,00			--
0033	VTVT13938		SCREW TE 8X20 UNI5739 INX	4,00			--
0034	CUVR00105		BEARING SB204KDF+PFL204PTN	1,00			--
0035	VTRS15146		WASHER GROVER A2 UNI1751	2,00			--
0036	VTRS13947		WASHER D. 8 INX UNI 6592	2,00			--
0037	VTRS16937		WASHER 6x24 INOX UNI 6593	1,00			--
0038	VTVT15143		SCREW TE 6X16 UNI5739	1,00			--
0039	VTVT13936		SCREW TE M 10X 20	2,00		08/05/2011	--
0039	VTVT03640		SCREW TE 10X25 UNI5740	2,00	09/05/2011		--
0040	LAFN04144		WASHER RUOTE POSTERIORI	2,00			--
0041	RTRT00507		WHEEL D.300 H=70	2,00		08/05/2011	--



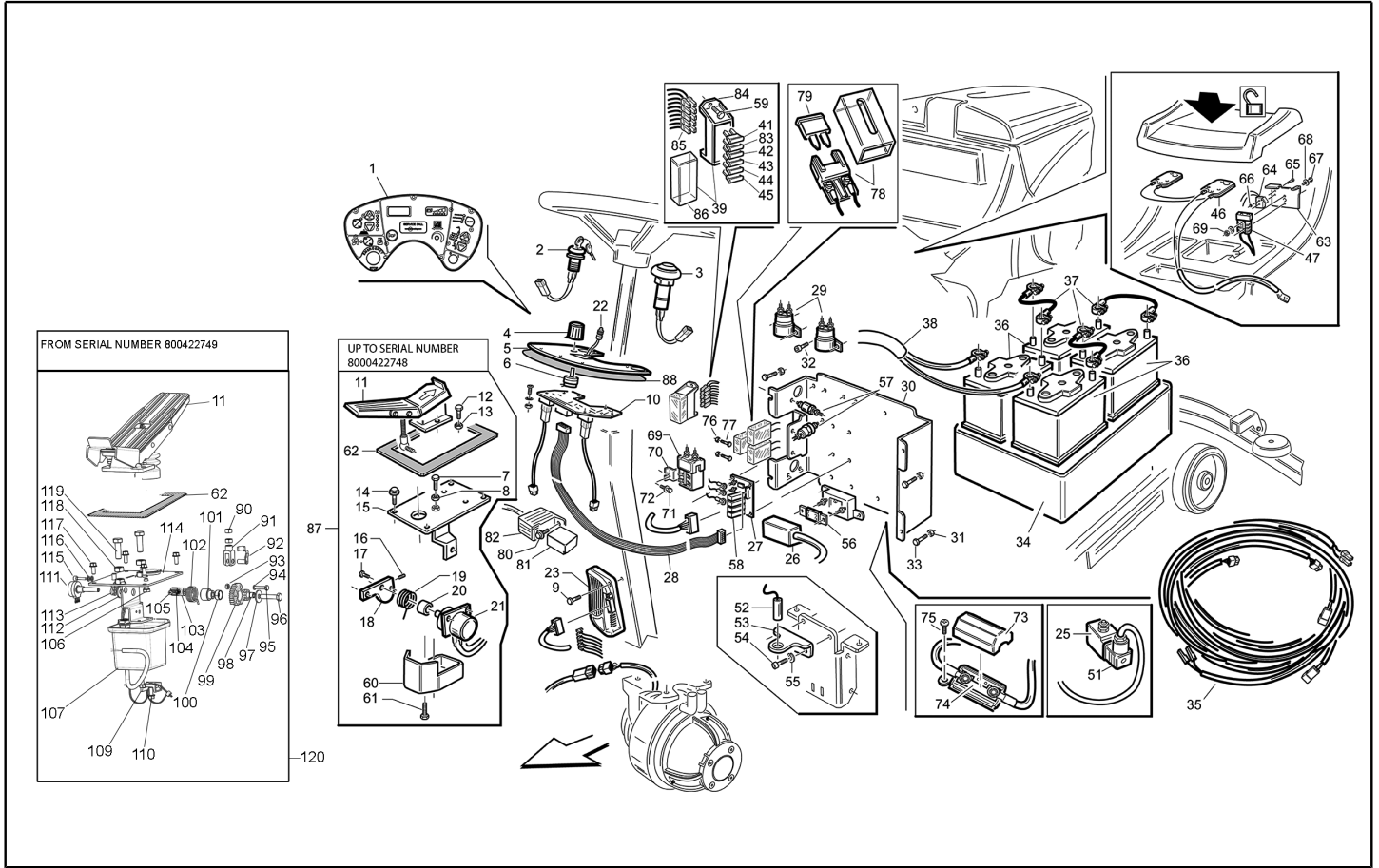
Ref. K	Part n.	Part n. 2	Description	Quantity	Validity		Price
					From	To	
0041	RTRT00539		WHEEL REAR PU D.300 CT110	2,00	09/05/2011		--
0042	LAFN06360		FRAME CT110	1,00			--
0043	LAFN06427		LEVER CT110	1,00			--
0044	LAFN04147		SCREW ASTA SERBATOIO P185	1,00		07/11/2010	--
0044	VTVT15916		SCREW TE M 8X 16 UNI 5739 A2	1,00	08/11/2010		--
0045	VTRS00502		WASHER D. 5 0.466 UNI 6592	1,00			--
0046	VTVT00005		SCREW TE M 5X 12 F/ROND.ZIGR	1,00			--
0047	LAFN06522		PLATE CT110	1,00			--
0048	LAFN06523		SPACER Ø48 X Ø36,5 X 20	1,00			--
0049	CUVR00120		BEARING 6007-2RS1	2,00			--
0050	LAFN06387		BUSHING STERZO	2,00			--
0051	VTAE00018		SEEGER E25x1,2 DIN471	2,00			--
0052	LAFN04148		BUSHING ASTA SERBATOIO P185	1,00			--
0053	VTRS00506		WASHER D.12 UNI 6592	1,00		07/11/2010	--
0053	VTRS13946		WASHER D. 8 X24 INX UNI 6593	1,00	08/11/2010		--
0054	VTRS13947		WASHER D. 8 INX UNI 6592	4,00			--
0055	VTRS00245		WASHER D.6 UNI 6592 INOX	6,00			--
0056	MPVR02933		DUCT LOCK D.9,5	2,00			--
0057	VTVT37012		SCREW M 4X 10 TCB-TC INX	2,00			--
0058	FSVR00043		CLAMP D.16 F.8,5 Inox430	1,00			--
0059	VTRS15144		WASHER D. 6 INX GRW UNI 1751	1,00			--
0060	VTVT15906		SCREW TE 6X 12 A2 UNI 5739	1,00			--
0061	LAFN06364		PLATE STERZO	1,00			--
0062	MPVR05951		CAP G48 FOR WHEEL	2,00	09/05/2011		--
0063	LAFN08995		ARM PORTARUOTA TERGI P185	2,00	09/05/2011		--
0064	VTVT15917		SCREW TE M 8X50 INOX A2 UNI	1,00	27/06/2016		--
0065	LAFN11085		PROTECTION -	1,00	27/06/2016		--
0066	VTRS13947		WASHER D. 8 INX UNI 6592	1,00	27/06/2016		--
0067	VTDD01695		NUT M 8 INX	1,00	27/06/2016		--
0068	VTRS00503		WASHER D. 6 UNI 6592	3,00	24/07/2017		--
0069	VTDD00491		NUT M 6 TEF	3,00	24/07/2017		--



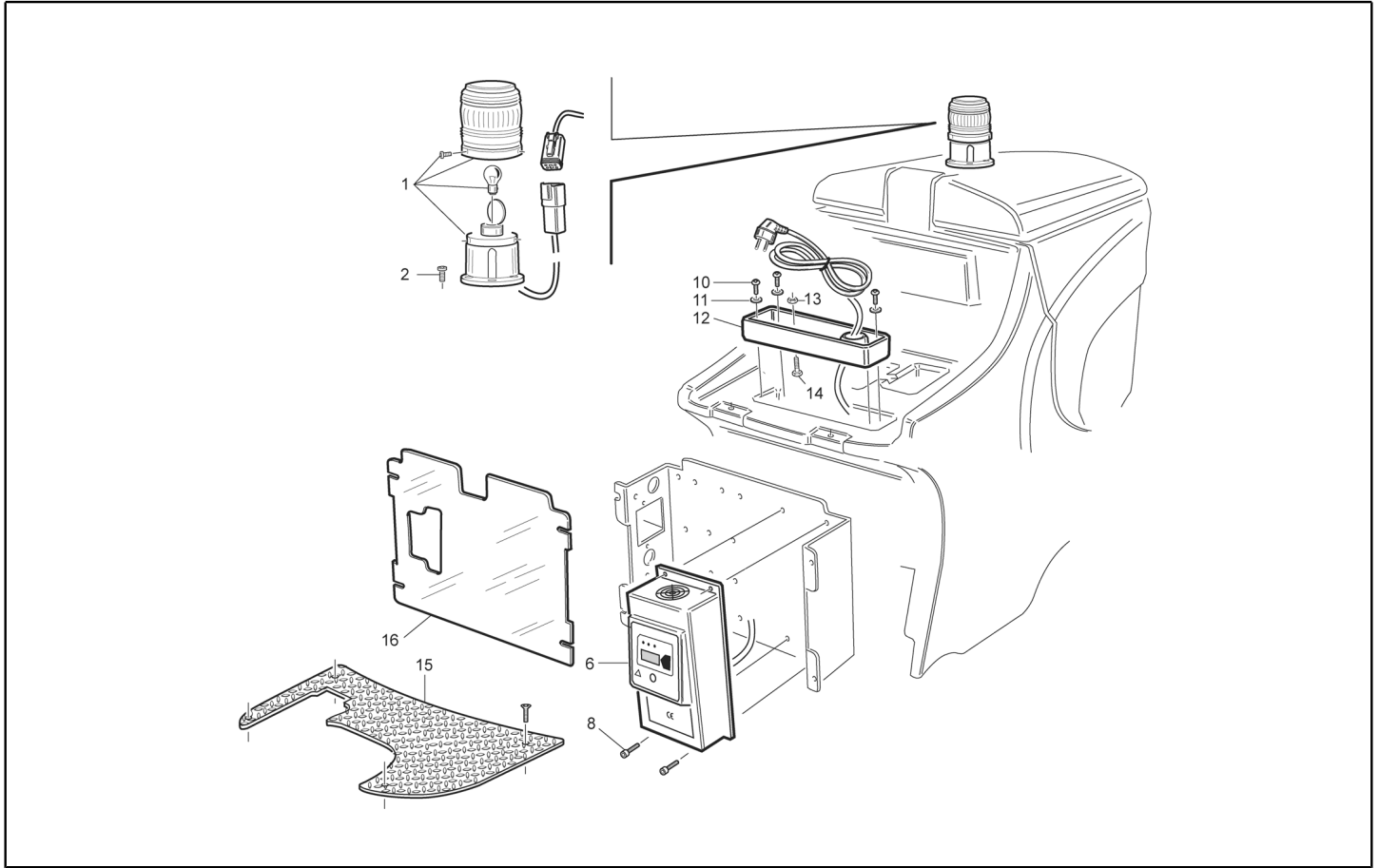
Ref. K	Part n.	Part n. 2	Description	Quantity	Validity		Price
					From	To	
0001	ETET01485		LABEL -	1,00			--
0002	MECI75805		SWITCH KEY FOR BATTERY MACHINES	1,00			--
0002	MEVR00093		KEY SPARE BATTERY VERSION	1,00			--
0003	MECI00028		SWITCH EMERGENCY 24V - RED	1,00			--
0004	KTRI01935		KIT 1050-1202	1,00			--
0005	LAFN06408		PLATE -	1,00			--
0006	KTRI05576		KIT POTENTIOMETER SPEED CONTR	1,00			--
0007	VTVT13937		SCREW TE M 8X 30 INX UNI 5739	1,00			--
0008	VTDD01696		NUT M 8 INX	1,00			--
0009	VTVT00727		SCREW TE M. 4-20	2,00			--
0010	MECE00451		BOARD CONTROL PANEL CT110	1,00			--
0011	LAFN06429		PEDAL CT110	1,00			--
0012	VTVT15143		SCREW TE 6X16 UNI5739	2,00			--
0013	VTDD15518		NUT M 6 INX	2,00			--
0014	VTVT00005		SCREW TE M 5X 12 F/ROND.ZIGR	4,00			--
0015	LAFN06521		SUPPORT ACCELERATORE	1,00			--
0016	VTVT00911		GRUB SCREW M4X8	1,00			--
0017	VTVT00727		SCREW TE M. 4-20	2,00			--
0018	LAFN06371		CONNECTING ROD POTENZIOMETRO	1,00			--
0019	MLML00301		SPRING ACCELERATORE	1,00		20/04/2010	--
0019	MLML00327		SPRING -	1,00	21/04/2010		--
0020	MPVR05236		BUSHING -	1,00		20/04/2010	--
0020	MPVR05786		BUSHING	1,00	21/04/2010		--
0021	MEVR01700		POTENTIOMETER 0-5K	1,00			--
0022	MEVR02058		LED -	1,00			--
0023	MECE00450		BOARD TRACTION CURTIS CT110	1,00			--
0025	MEEV00018		SOLENOID VALVE	1,00		06/10/2011	--
0025	MEEV00044		SOLENOID VALVE	1,00	07/10/2011		--
0026	MEVR00146		FUSE-HOLDER MEGA	1,00			--
0027	MECE00452		BOARD ACTUATORS CONTROL CT110	1,00		21/04/2017	--
0027	MECE00575		BOARD ACTUATORS/SLS CT110	1,00	22/04/2017		--
0028	MECB01021		CABLE FLAT	1,00		09/10/2008	--
0028	MECB01099		CABLE FLAT	1,00	10/10/2008		--
0029	METT45116		CONTACTOR T106P 24V 100%	3,00		20/05/2009	--
0029	METT45116		CONTACTOR T106P 24V 100%	2,00	21/05/2009		--
0030	LAFN06503		PLATE ELETTRONICA	1,00			--
0032	VTVT00005		SCREW TE M 5X 12 F/ROND.ZIGR	8,00			--
0033	VTVT00005		SCREW TE M 5X 12 F/ROND.ZIGR	4,00			--
0034	MPVR05217		CONTAINER BATTERIA	1,00			--
0035	MECB01015		WIRING CT110	1,00		19/11/2017	--
0035	MECB02046		WIRING CT110	1,00	20/11/2017		--
0036	BAAC00106		BATTERY 6V 180Ah/C5 GEL IPC	4,00			--
0037	MEVR34820		WIRING BATTERY BRIDGE W/TERMINAL	3,00			--
0038	MECB01015		WIRING CT110	1,00			--



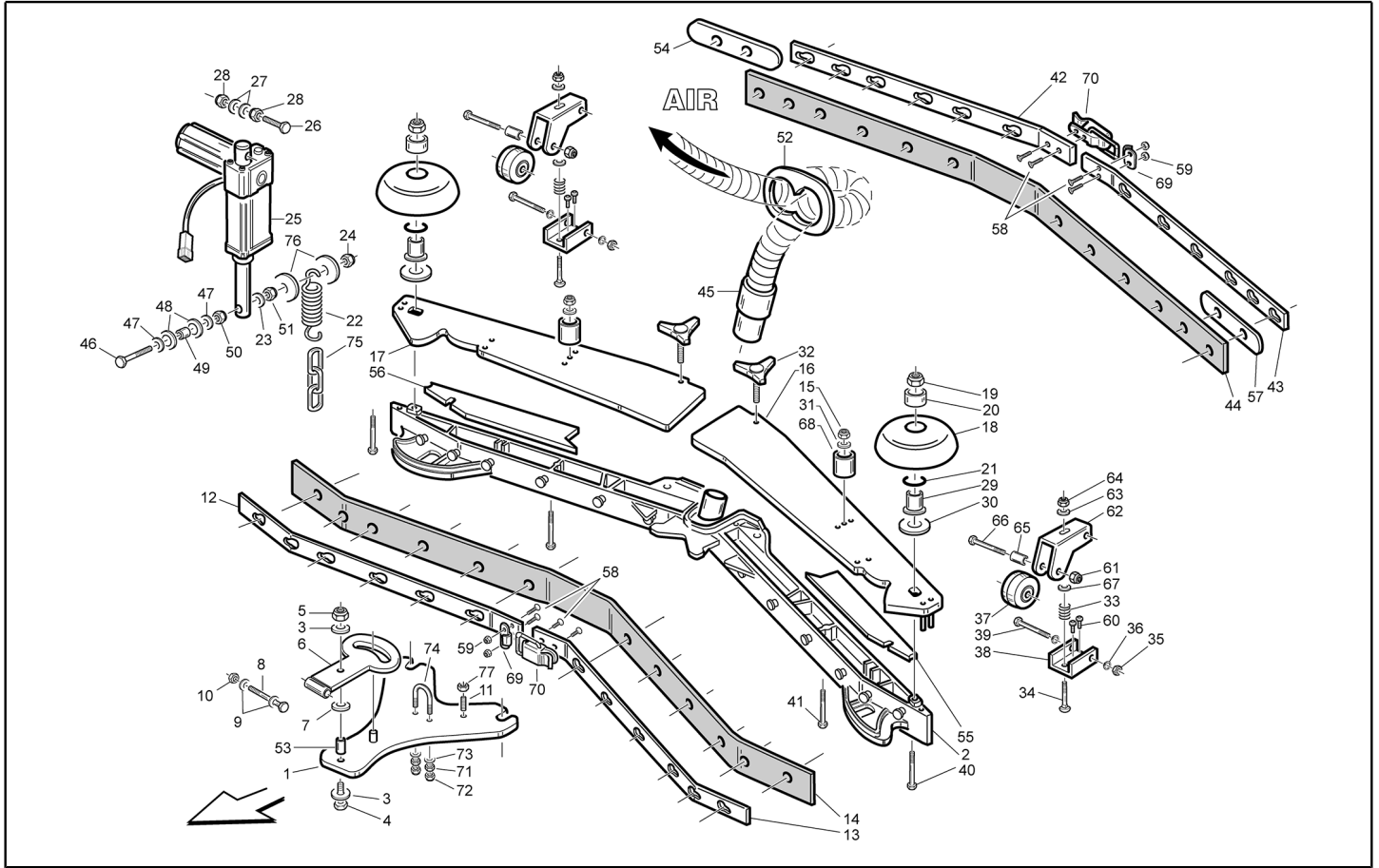
Ref. K	Part n.	Part n. 2	Description	Quantity	Validity		Price
					From	To	
0039	KTRI02222		KIT CT110	1,00			--
0040	MEVR01136		FUSE 30A	1,00		09/10/2011	--
0041	MEVR01136		FUSE 30A	1,00		09/10/2011	--
0041	MEVR01428		FUSE 2 A UNIVAL	1,00	10/10/2011		--
0042	MEVR00327		FUSE 25A	1,00			--
0043	MEVR00584		FUSE 3A	1,00			--
0044	MEVR00584		FUSE 3A	1,00			--
0045	MEVR00584		FUSE 3A	1,00			--
0046	MEVR00148		SWITCH SEAT SENSOR	1,00			--
0047	MEVR01079		PLUG M CB50 A 600V RD.	1,00			--
0051	MECB01015		WIRING CT110	1,00			--
0052	MECI00535		SENSOR -	1,00			--
0053	LAFN06386		SUPPORT -	1,00			--
0054	VTVT15143		SCREW TE 6X16 UNI5739	2,00			--
0055	VTRS15144		WASHER D. 6 INX GRW UNI 1751	2,00			--
0056	MEVR00145		FUSE 100A	1,00			--
0057	MEVR47082		INSULATOR MM35 M6 CH 32	1,00			--
0058	MECE00456		RELAY CT110	4,00			--
0059	VTVT00005		SCREW TE M 5X 12 F/ROND.ZIGR	2,00			--
0060	MPVR05235		COVER -	1,00			--
0061	VTVT00005		SCREW TE M 5X 12 F/ROND.ZIGR	2,00			--
0062	GUVR00292		GASKET CT110	1,00			--
0063	LAFN07362		PLATE ANDERSON	1,00			--
0064	MECI00334		MICROSWITCH CHARGING PLUG	1,00			--
0065	VTVT00671		SCREW TC- M.2-16 OTTONE	2,00			--
0066	VTDD08634		NUT M2	2,00			--
0067	VTVT01350		SCREW M3-20 INOX	2,00			--
0068	VTRS21116		WASHER D. 3 INX	2,00			--
0069	MECI00532		CONTACTOR 24V-100A	1,00	21/05/2009		--
0070	LAFN07743		BRACKET -	1,00	21/05/2009		--
0071	VTVT01669		SCREW M4x6 UNI5739 znt cl.4.8	2,00	21/05/2009		--
0072	VTRS00501		WASHER D. 4 0.232 UNI 6592	2,00	21/05/2009		--
0073	MEVR31036		FUSE-HOLDER	1,00			--
0074	MEVR02042		FUSE 30A NST.	1,00			--
0075	VTVT00079		SCREW AUTOF.TC UNI6954 3,9X22	1,00			--
0076	VTDD01693		NUT M 5 INX	2,00	10/10/2011		--
0077	VTVT01300		SCREW TE M5X12 INOX	2,00	10/10/2011		--
0078	MEVR00613		FUSE CARRIER MAXIVAL with cover	2,00	10/10/2011	19/11/2017	--
0078	MEVR00613		FUSE CARRIER MAXIVAL with cover	3,00	20/11/2017		--
0079	MEVR00644		FUSE MAXIVAL 30A	2,00	10/10/2011	19/11/2017	--
0079	MEVR00644		FUSE MAXIVAL 30A	3,00	20/11/2017		--
0081	MECE00456		RELAY CT110	1,00			--
0082	MEVR02888		BASE TE V23333-Z1001-B045	1,00			--
0083	MEVR00344		FUSE 4A	1,00	26/02/2015		--



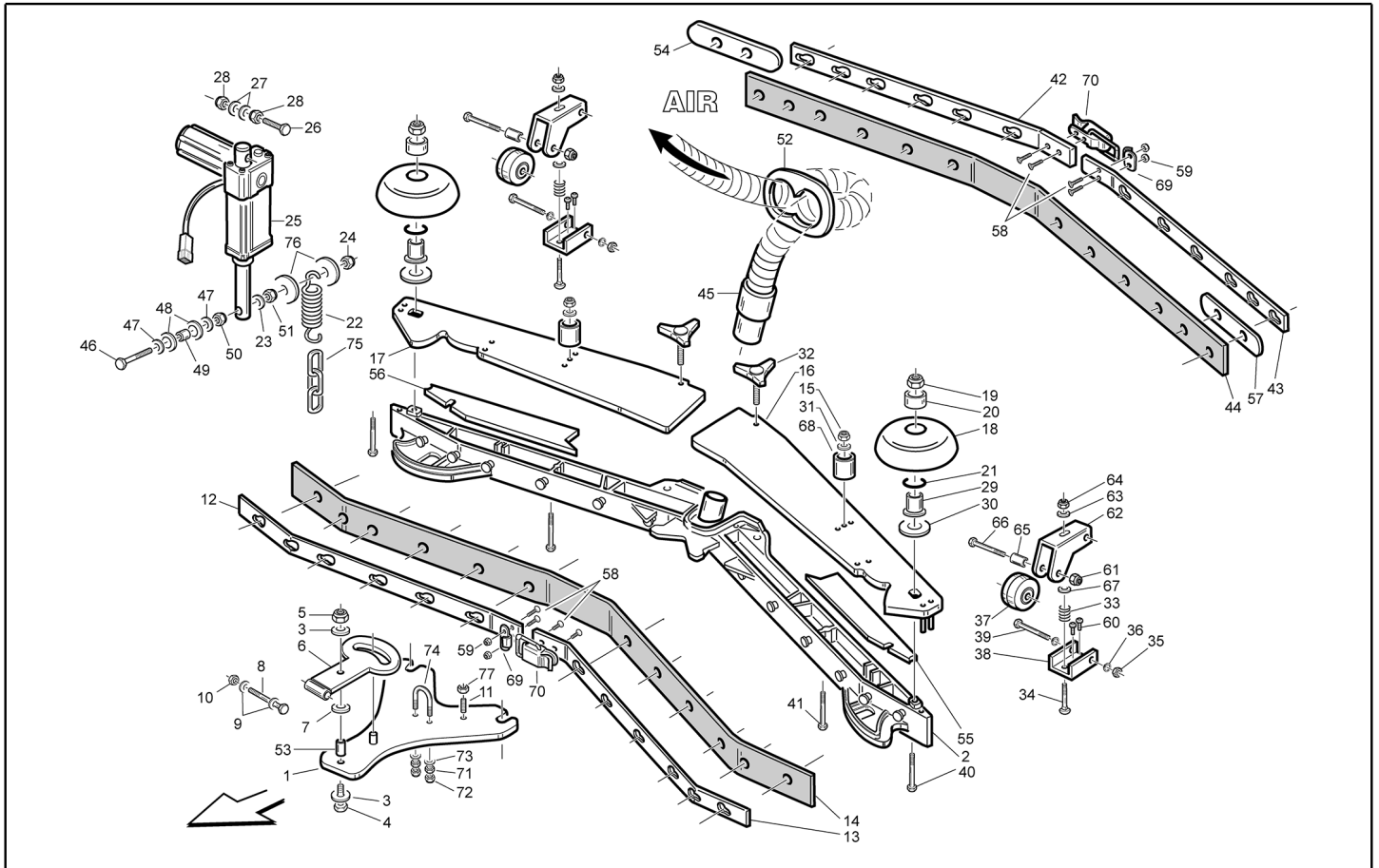
Ref. K	Part n.	Part n. 2	Description	Quantity	Validity		Price
					From	To	
0084	MPVR06116		COVER -	1,00	01/01/2016	--	--
0085	MPVR06118		PIN FUSE HOLDER	1,00	01/01/2016	--	--
0086	MPVR06117		COVER -	1,00	01/01/2016	--	--
0087	KTRIO1585		KIT ACCELERATOR PEDAL CT110	1,00		--	--
0088	GUVRO0286		GASKET CT110	1,00		--	--
0089	MEVR00644		FUSE MAXIVAL 30A	3,00	20/11/2017	--	--
0090	VTDD00482		NUT M 6 ZIN UNI 5588	2,00		--	--
0091	CMCV76639		FORK M 6 UNI 1676	1,00		--	--
0092	CMCV75717		CLIP UNI 1676 M6x12	1,00		--	--
0093	VTDD00147		NUT M 4 INX U.5588	1,00		--	--
0094	VTRS15913		WASHER D. 4 GROVER A2 UNI1751	3,00		--	--
0095	VTVT01529		SCREW TE M4X20 ZINC. UNI 5739	1,00		--	--
0096	VTVT00245		SCREW TE M6X30 UNI 5739	1,00		--	--
0097	VTRS04026		WASHER D. 6X18X2.38	2,00		--	--
0098	CUVR00302		BUSHING CB90 0606	1,00		--	--
0099	MPVR13234		CONNECTING ROD .	1,00		--	--
0100	LAFN11228		BUSHING -	1,00		--	--
0101	LAFN11699		PIN .	1,00		--	--
0102	MLML00537		SPRING -	1,00		--	--
0103	MTCR00114		GEAR M1 Z12	1,00		--	--
0104	VTVR01080		INSERT M3 L5	1,00		--	--
0105	VTVT00834		SCREW M 3X 6 TCB-TC IX U.7687	1,00		--	--
0106	VTVT15143		SCREW TE 6X16 UNI5739	2,00		--	--
0107	MPVR13162		COVERING .	1,00		--	--
0109	FSVR00243		BASE CABLE TIE. PLASTIC	1,00		--	--
0110	VTVT00005		SCREW TE M 5X 12 F/ROND.ZIGR	1,00		--	--
0111	MEVR02667		POTENTIOMETER .	1,00		--	--
0112	VTRS04026		WASHER D. 6X18X2.38	2,00		--	--
0113	VTDD01694		NUT M6 INOX	3,00		--	--
0114	LAFN11697		SUPPORT .	1,00		--	--
0115	VTVT01556		SCREW TCEI M4X16 UNI5931 A2	1,00		--	--
0116	VTRS15913		WASHER D. 4 GROVER A2 UNI1751	3,00		--	--
0117	VTVT00005		SCREW TE M 5X 12 F/ROND.ZIGR	6,00		--	--
0118	VTDD00483		NUT M 8 ZIN UNI 5588	2,00		--	--
0119	VTVT00447		SCREW TE 8X25 UNI5739	2,00		--	--
0120	KTRIO6422		KIT ACCEL. PEDAL CT110-MY2021	1,00		--	--



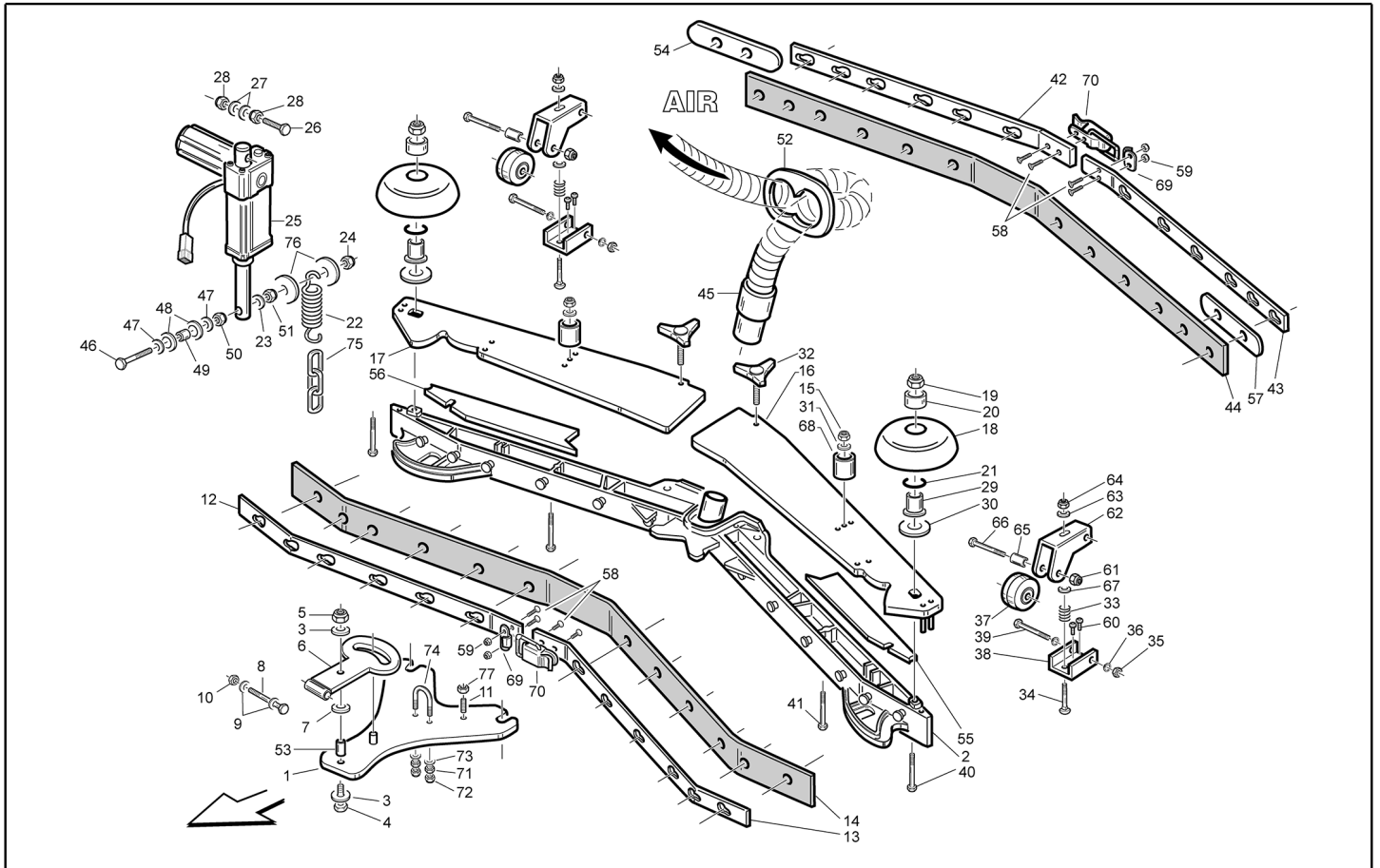
Ref. K	Part n.	Part n. 2	Description	Quantity	Validity		Price
					From	To	
0001	MEVR00935		FLASHING LIGHT G1050	1,00			--
0002	VTVT35376		SCREW TCB-TC 3.5X25	3,00			--
0006	BACA00117		BATTERY-CHARGER	1,00		24/10/2011	--
0006	BACA00158		BATTERY-CHARGER CBHD3 24V 25A EU	1,00	25/10/2011		--
0008	VTVT01300		SCREW TE M5X12 INOX	3,00			--
0010	VTVT07852		SCREW TCB-TC 4,8X16 BRN	4,00			--
0011	VTRS00516		WASHER D. 5 INX	4,00			--
0012	MPVR05213		CONTAINER -	1,00			--
0015	LAFN07414		PLANE CT110	1,00			--
0016	MPVR06433		PROTECTION -	1,00	26/02/2015		--



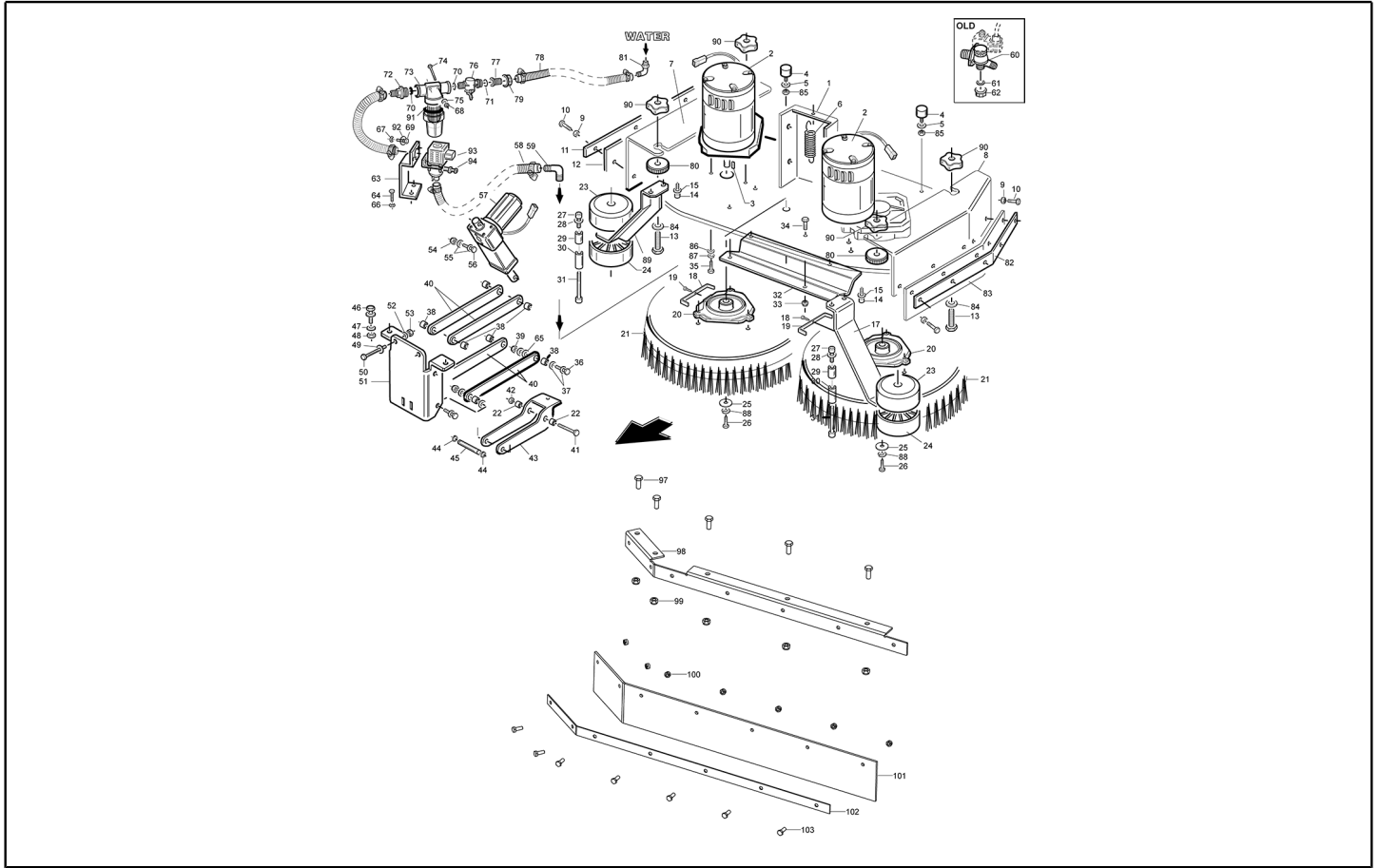
Ref. K	Part n.	Part n. 2	Description	Quantity	Validity		Price
					From	To	
0001	LAFN07536		PLATE -	1,00		09/04/2014	--
0001	LAFN09241		PLATE -	1,00	10/04/2014		--
0002	KTRI02049		BODY SQUEEGEE PRESSOFUSO "L"	1,00			--
0003	VTRS13946		WASHER D. 8 X24 INX UNI 6593	1,00			--
0004	VTVT00410		SCREW TE M8x35 UNI5739 INOX	1,00			--
0005	VTDD01695		NUT M 8 INX	1,00			--
0006	LAFN09010		SUPPORT -	1,00			--
0007	VTRS15978		WASHER D.12X24 UNI 6592 INX	1,00			--
0008	VTVT00757		SCREW	1,00			--
0009	VTRS13947		WASHER D. 8 INX UNI 6592	2,00			--
0010	VTDD01695		NUT M 8 INX	1,00			--
0011	VTVT01145			1,00			--
0012	LAFN08952		BRACKET -	1,00		30/10/2013	--
0012	LAFN09284		SHEET METAL PA. -	1,00	31/10/2013		--
0013	LAFN08953		BRACKET -	1,00		30/10/2013	--
0013	LAFN09285		BLADE RETAINER FRONT L.H.S. L	1,00	31/10/2013		--
0014	MPVR05804		RUBBER FRONT SQUEEGEE L PU	1,00		25/07/2013	--
0014	MPVR08040		BLADE L LATEX	1,00	26/07/2013		--
0015	VTDD01694		NUT M6 INOX	4,00			--
0016	LAFN09014		PLATE -	1,00		06/11/2017	--
0016	LAFN11023		PLATE -	1,00	07/11/2017		--
0017	LAFN09015		PLATE -	1,00		06/11/2017	--
0017	LAFN11024		PLATE -	1,00	07/11/2017		--
0018	MPVR05290		ROLLER SIDE BUMPER WHEEL	2,00			--
0019	VTDD01694		NUT M6 INOX	2,00			--
0020	MPVR49229		BUSHING SHK	2,00			--
0021	GUGO00164		GASKET	2,00			--
0022	CMCV00445		CABLE LIFTING SQUEEGEE CT110	1,00		09/04/2014	--
0022	MLML00342		SPRING -	1,00	10/04/2014		--
0023	VTRS15144		WASHER D. 6 INX GRW UNI 1751	2,00			--
0024	VTDD01694		NUT M6 INOX	2,00			--
0025	MOCC00322		ACTUATOR SQUEEGEE CT110	1,00			--
0026	VTVT15917		SCREW TE M 8X50 INOX A2 UNI	1,00			--
0027	VTRS13947		WASHER D. 8 INX UNI 6592	2,00			--
0028	VTDD01695		NUT M 8 INX	2,00			--
0029	LAFN04100		SPACER FOR BUMPER WHEEL	2,00			--
0030	VTRS16937		WASHER 6x24 INOX UNI 6593	2,00			--
0031	VTRS00245		WASHER D.6 UNI 6592 INOX	2,00			--
0032	MPVR06004		KNOB SQUEEGEE YELLOW M8X30	2,00		03/04/2018	--
0032	MPVR10569		SMALL KNOB YELLOW M8X45 H.10	2,00	04/04/2018		--
0033	MLML49422		SPRING D.15X 45 X1	2,00			--
0034	VTVT01304		SCREW M 8X 40 TTQST UNI 5731	2,00			--
0035	VTDD01694		NUT M6 INOX	2,00			--
0036	VTAE45707		SEEGER RADIALE TIPO H UNI7434 D6	4,00			--



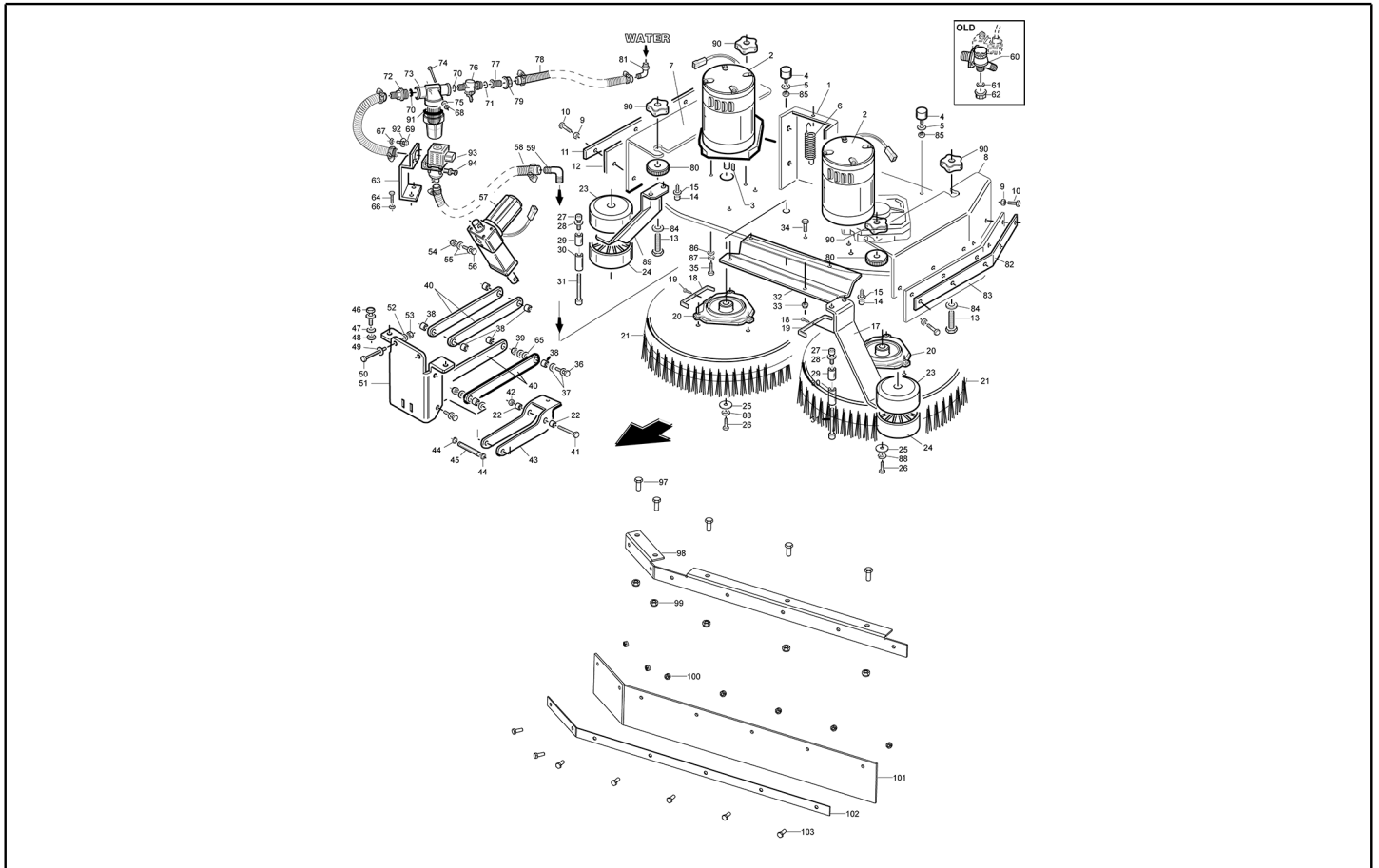
Ref. K	Part n.	Part n. 2	Description	Quantity	Validity		Price
					From	To	
0037	RTRT00540		WHEEL D.8x32	2,00			--
0038	LAFN51069		BRACKET SUPP.RUOTINO SQUEEGEE	2,00			--
0039	VTVT15515		SCREW TE M 6X 50 INOX A2	2,00			--
0040	VTVT00841		SCREW TE M 6X65 UNI 5739 INX	2,00			--
0041	VTVT00699		SCREW TE M. 6-70	2,00		17/05/2017	--
0041	VTVT00841		SCREW TE M 6X65 UNI 5739 INX	2,00	18/05/2017		--
0042	LAFN08954		BRACKET -	1,00		30/10/2013	--
0042	LAFN09286		SHEET METAL PA. -	1,00	31/10/2013		--
0043	LAFN08955		BRACKET -	1,00		30/10/2013	--
0043	LAFN09287		SHEET METAL PA. -	1,00	31/10/2013		--
0044	MPVR05806		RUBBER REAR SQUEEGEE L PU	1,00		25/07/2013	--
0044	MPVR08036		BLADE L LATEX	1,00	26/07/2013		--
0045	KTRI04699		KIT REPLACEMENT TBBP00402	1,00			--
0046	VTVT17342		SCREW TE M 6X 60 UNI 5739 INX	1,00			--
0047	VTRS07728		WASHER D. 6 INX	3,00			--
0048	VTRS13947		WASHER D. 8 INX UNI 6592	2,00			--
0049	LAFN03840		BUSHING	1,00			--
0050	VTDD15518		NUT M 6 INX	1,00			--
0051	VTDD15518		NUT M 6 INX	1,00			--
0052	MPVR04659		FLANGE	1,00			--
0053	LAFN35608		SPACER S. BLOCK BT 530	1,00			--
0054	MPVR05898		CLOSURE L	1,00			--
0055	GUVR00302		GASKET -	1,00			--
0056	GUVR00303		GASKET -	1,00			--
0057	MPVR05898		CLOSURE L	1,00			--
0058	VTVT01070		SCREW TSTC M3X8	8,00			--
0059	VTDD00210		NUT M 3 AUTOBL.DIN 985 IX. A2	8,00			--
0060	VTVR01040		RIVET -	4,00			--
0061	VTDD01694		NUT M6 INOX	2,00			--
0062	LAFN05559		SUPPORT RUOTINO	2,00			--
0063	VTRS13947		WASHER D. 8 INX UNI 6592	2,00			--
0064	VTDD01695		NUT M 8 INX	2,00			--
0065	TBBP00124		TUBE D 8/6	0,02			--
0066	VTVT15515		SCREW TE M 6X 50 INOX A2	2,00			--
0067	VTRS13947		WASHER D. 8 INX UNI 6592	2,00			--
0068	MPVR06016		BRACKET -	2,00			--
0069	LAFN09301		SOCKET -	2,00			--
0070	LAFN09302		CLOSURE -	2,00			--
0071	VTDD15520		NUT M 6 A2 UNI 5588 INX	2,00	10/04/2014		--
0072	VTDD01694		NUT M6 INOX	2,00	10/04/2014		--
0073	VTRS00245		WASHER D.6 UNI 6592 INOX	2,00	10/04/2014		--
0074	LAFN09231		BRACKET M6X11X29	1,00	10/04/2014		--
0075	MTCR00029		SMALL CHAIN L.16mm (q.ty 1 = 1mt)	0,02	10/04/2014		--
0076	VTRS13945		WASHER D. 6X18 INX UNI 6593	2,00	10/04/2014		--



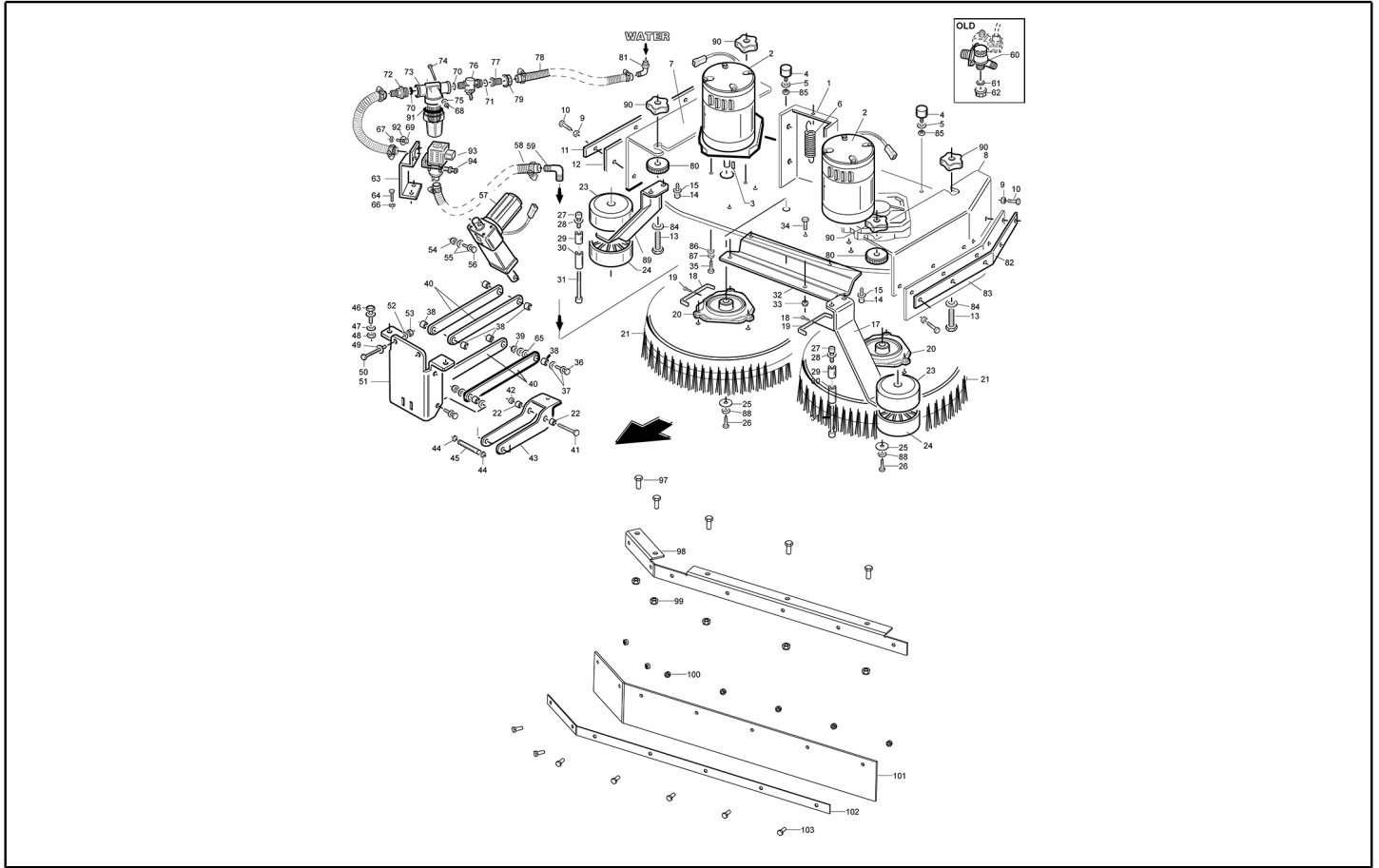
Ref. K	Part n.	Part n. 2	Description	Quantity	Validity		Price
					From	To	
0077	VTDD15521		NUT M 8 INX A2 UNI 5588	1,00	10/04/2014		--



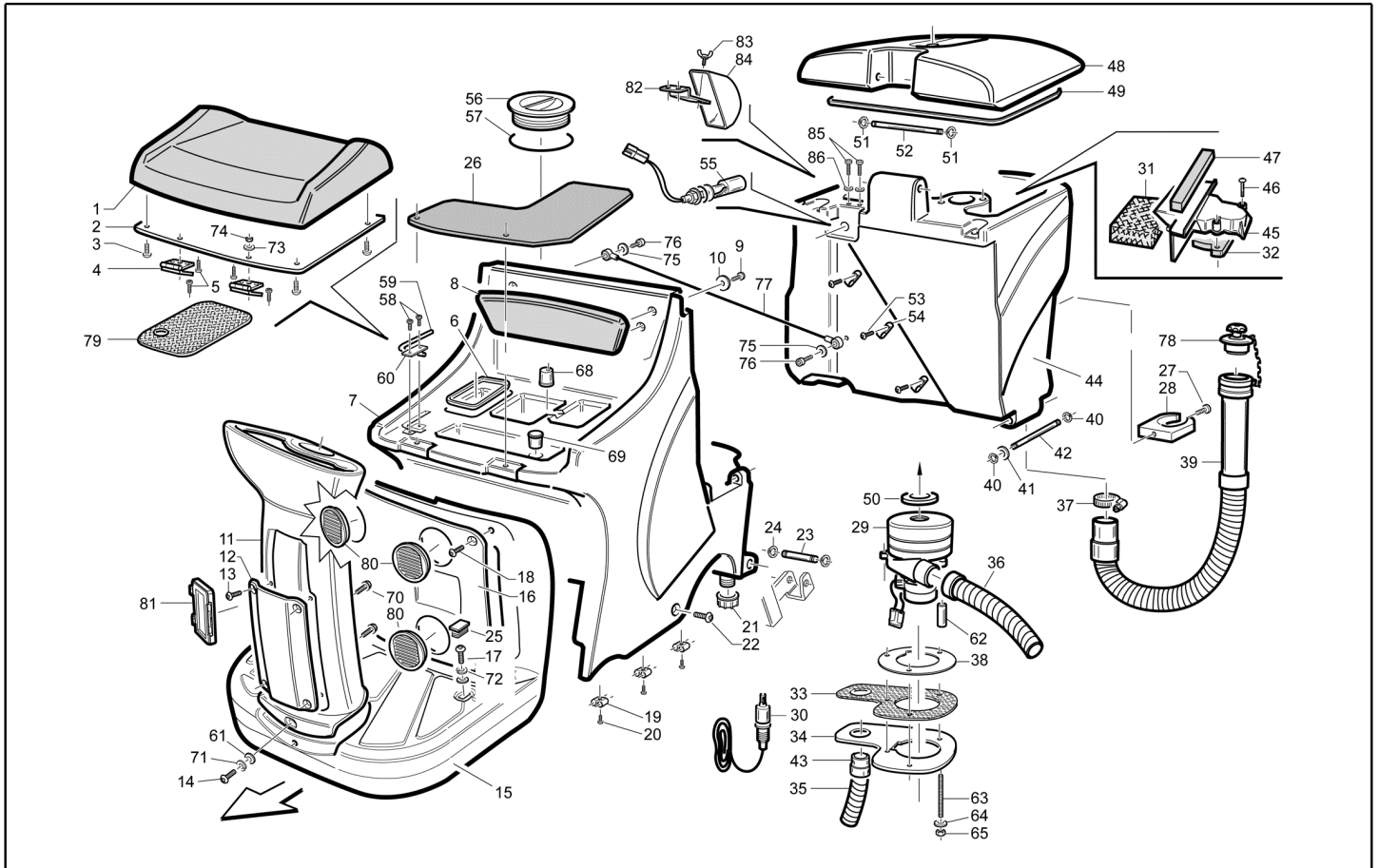
Ref. K	Part n.	Part n. 2	Description	Quantity	Validity		Price
					From	To	
0001	LAFN06376		PLATE 700	1,00			--
0002	MOCC00161		MOTOR.GEARBOX 300W	2,00		16/04/2008	--
0002	MOCC00328		MOTOR GEARBOX BRUSH 24V 380W	2,00	17/04/2008	22/10/2023	--
0002	MOCC00344		CARBON BRUSH 00701535	1,00			--
0002	KTRI06667		KIT REPLACE MOCC00328	2,00	23/10/2023		--
0003	VTVR16617		KEY 6X 6X30 UNI 6604	2,00			--
0004	ABGO00019		VIBRATION DAMP. 40x30 M8x2845 SH	2,00			--
0005	VTRS15146		WASHER GROVER A2 UNI1751	2,00			--
0006	MLML00241		SPRING BRUSH PRES. CT110-160-230	1,00			--
0007	LAFN06369		PLANE DX 700	1,00		03/11/2008	--
0007	LAFN06958		PLANE DX 700	1,00	04/11/2008		--
0008	LAFN06839		PLANE SX 700	1,00		03/11/2008	--
0008	LAFN07045		PLANE SX 700	1,00	04/11/2008		--
0009	VTDD01694		NUT M6 INOX	10,00			--
0010	VTVT15143		SCREW TE 6X16 UNI5739	10,00			--
0011	LAFN06361		SHEET METAL PA. FLAP	1,00		03/11/2008	--
0011	LAFN07080		SHEET METAL PA. FLAP	1,00	04/11/2008		--
0012	MPVR05222		FLAP DX	1,00			--
0013	VTVT00469		SCREW TE M 12X 60 INX UNI 5739	4,00		31/01/2012	--
0013	VTVT01167		SCREW TCB T 5X30	4,00	01/02/2012		--
0014	VTVT15907		SCREW TE 8X25 UNI5739 INX	4,00		20/12/2020	--
0014	VTVT01505		SCREW M8x16 UNI5931	4,00	21/12/2020		--
0015	VTRS13947		WASHER D. 8 INX UNI 6592	2,00			--
0017	LAFN07361		SUPPORT PARACOLPI 700	1,00		20/12/2020	--
0017	LAFN11559		SUPPORT	1,00	21/12/2020		--
0018	MLML00230		SPRING ANTISGANCIO 70 X FLANGIA	2,00		06/05/2012	--
0018	MLML00328		SPRING RETAINING, BRUSH DRIVER	2,00	07/05/2012	01/09/2020	--
0018	MLML00350		SPRING ALUM. CONICAL DRIVER	2,00	02/09/2020		--
0019	VTVT21887		SCREW TCB-TC 4X10 8112	2,00			--
0020	MFVR00212		DRIVE DISK ALUMINIUM	2,00		01/09/2020	--
0020	MFVR00242		DRIVE DISK CONICAL ALUMINIUM	2,00	02/09/2020		--
0021	SPPV47749		BRUSH NYLON 0.8 D.340 BT 7000	2,00		16/11/2015	--
0021	SPPV01472		BRUSH PPL D.340 APC	2,00	17/11/2015		--
0022	LAFN04187		SPACER PER RIDUTTORE	2,00			--
0023	RTRT00502		WHEEL ANTIRIBALTAMENTO	2,00		10/04/2008	--
0023	RTRT00510		WHEEL BUMPER RAL7040	2,00	11/04/2008		--
0024	MPVR02894		ROLLER PARACOLPI	2,00		10/04/2008	--
0024	MPVR05295		WHEEL PARACOLPI	2,00	11/04/2008		--
0025	VTRS13946		WASHER D. 8 X24 INX UNI 6593	2,00			--
0026	VTVT13938		SCREW TE 8X20 UNI5739 INX	2,00			--
0027	VTVT01118		SCREW TCEI M 8X16 ZC. UNI 5931	2,00			--
0028	VTRS13947		WASHER D. 8 INX UNI 6592	2,00			--
0029	LAFN06472		PIN RUOTA	2,00			--
0030	LAFN07060		SPACER RUOTA PARACOLPI	2,00		10/09/2019	--



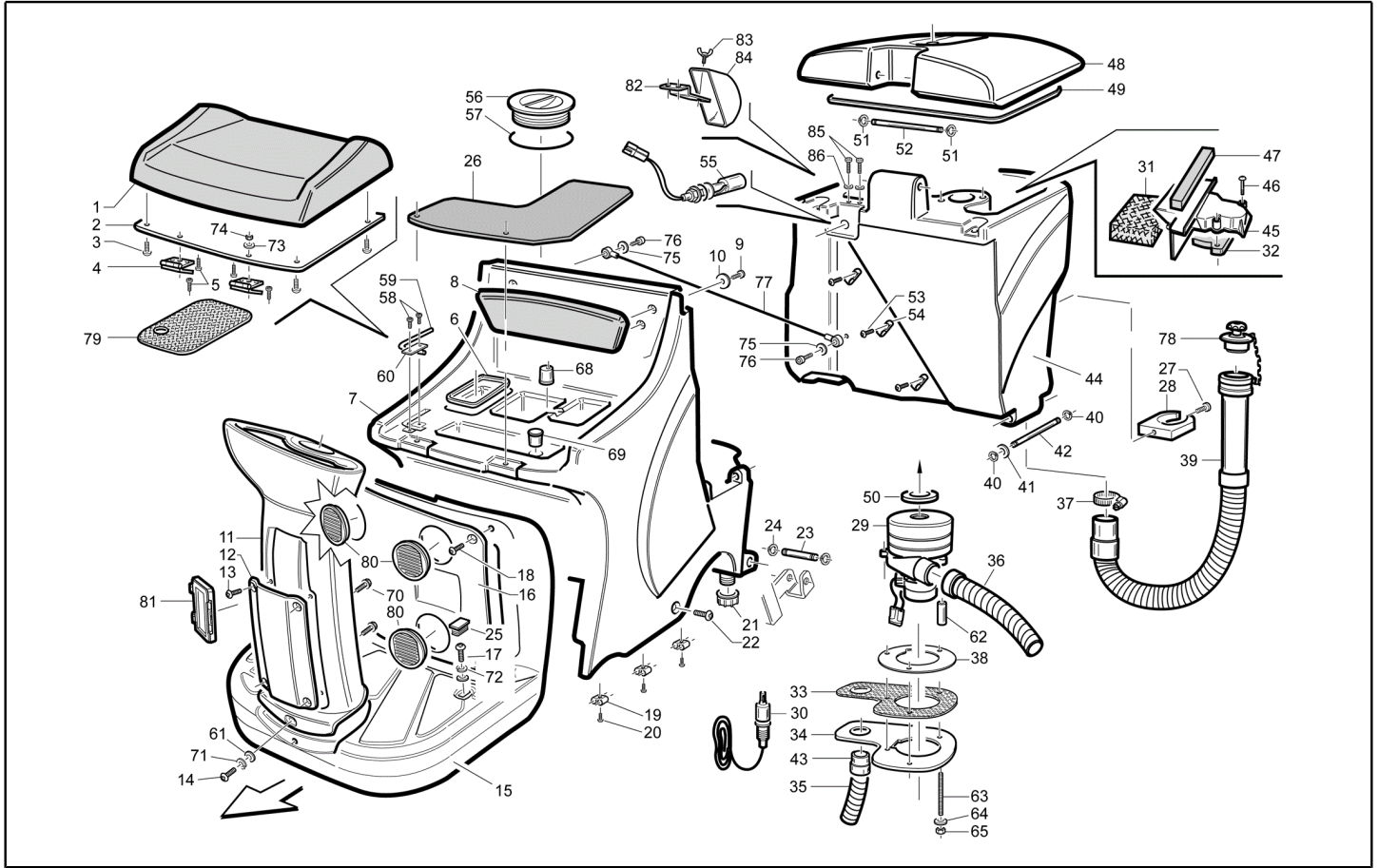
Ref. K	Part n.	Part n. 2	Description	Quantity	Validity		Price
					From	To	
0030	LAFN11995		SPACER LOLY 700	2,00	11/09/2019		--
0031	VTVT77509		SCREW TE 8X60 UNI5739	2,00		23/03/2015	--
0031	VTVT09650		SCREW TCEI 8X50 UNI5931	2,00	24/03/2015		--
0032	LAFN06368		CONVEYOR ACQUA	1,00		05/07/2017	--
0032	MPVR11547		CONVEYOR 700	1,00	06/07/2017		--
0033	VTDD01694		NUT M6 INOX	4,00			--
0034	VTVT15143		SCREW TE 6X16 UNI5739	4,00			--
0035	VTVT15143		SCREW TE 6X16 UNI5739	8,00			--
0036	VTVT13937		SCREW TE M 8X 30 INX UNI 5739	4,00			--
0037	VTRS13947		WASHER D. 8 INX UNI 6592	16,00			--
0038	LAFN04151		BUSHING X PARALLELOGRAMMA	8,00		28/05/2017	--
0038	CUVR00130		BEARING STRISCIAMENTO	8,00	29/05/2017		--
0039	VTDD01701		NUT M8 INOX+ZIN.	4,00			--
0040	LAFN06370		LEVER PARALLELOGRAMMA	4,00		28/05/2017	--
0040	LAFN11145		LEVER HEAD CT110	4,00	29/05/2017		--
0041	VTVT15142		SCREW TE M 6x45 INOX	2,00		10/03/2013	--
0041	VTVT01684		SCREW TE 6X45	2,00	11/03/2013		--
0042	VTDD15518		NUT M 6 INX	1,00			--
0043	LAFN05781		ARM ATTUATORE	1,00		16/03/2009	--
0043	LAFN07636		ARM -	1,00	17/03/2009		--
0044	VTAE13511		CIRCLIP D. 10 UNI 7435	2,00			--
0045	LAFN51065		PIN INFER.ATTUAT.TEST.	1,00			--
0046	VTVT13937		SCREW TE M 8X 30 INX UNI 5739	2,00			--
0047	VTRS13947		WASHER D. 8 INX UNI 6592	8,00			--
0048	VTDD01696		NUT M 8 INX	4,00			--
0049	VTRS13947		WASHER D. 8 INX UNI 6592	8,00			--
0050	VTVT13937		SCREW TE M 8X 30 INX UNI 5739	2,00			--
0051	LAFN06383		ARM TESTATA	1,00			--
0052	VTRS13947		WASHER D. 8 INX UNI 6592	2,00			--
0053	VTDD01694		NUT M6 INOX	2,00			--
0054	VTDD15521		NUT M 8 INX A2 UNI 5588	1,00			--
0055	VTRS13946		WASHER D. 8 X24 INX UNI 6593	2,00			--
0056	VTVT00410		SCREW TE M8x35 UNI5739 INOX	1,00			--
0057	MOCC00323		ACTUATOR BRUSH HEAD CT110	1,00			--
0058	TBFX48011		HOSE FLEX D.12X3 ARMORV.PVC TR	0,18			--
0059	RCVR45752		HOSE FITTING "L" 3/8M - D.10 PLS.	1,00			--
0060	MEEV00018		SOLENOID VALVE	1,00		06/10/2011	--
0061	GUGO00268		GASKET D.21 SP.3 GOMMA	1,00		06/10/2011	--
0062	RCVR00353		CAP 1/2"G X ELETTROV. ACL	1,00		06/10/2011	--
0063	LAFN05835		BRACKET PORTAELETTROVALVOLA	1,00			--
0064	VTVT15906		SCREW TE 6X 12 A2 UNI 5739	1,00			--
0065	VTRS13946		WASHER D. 8 X24 INX UNI 6593	2,00			--
0066	VTDD15518		NUT M 6 INX	1,00			--
0067	VTDD15925		NUT M 4 INX+ZN	2,00			--



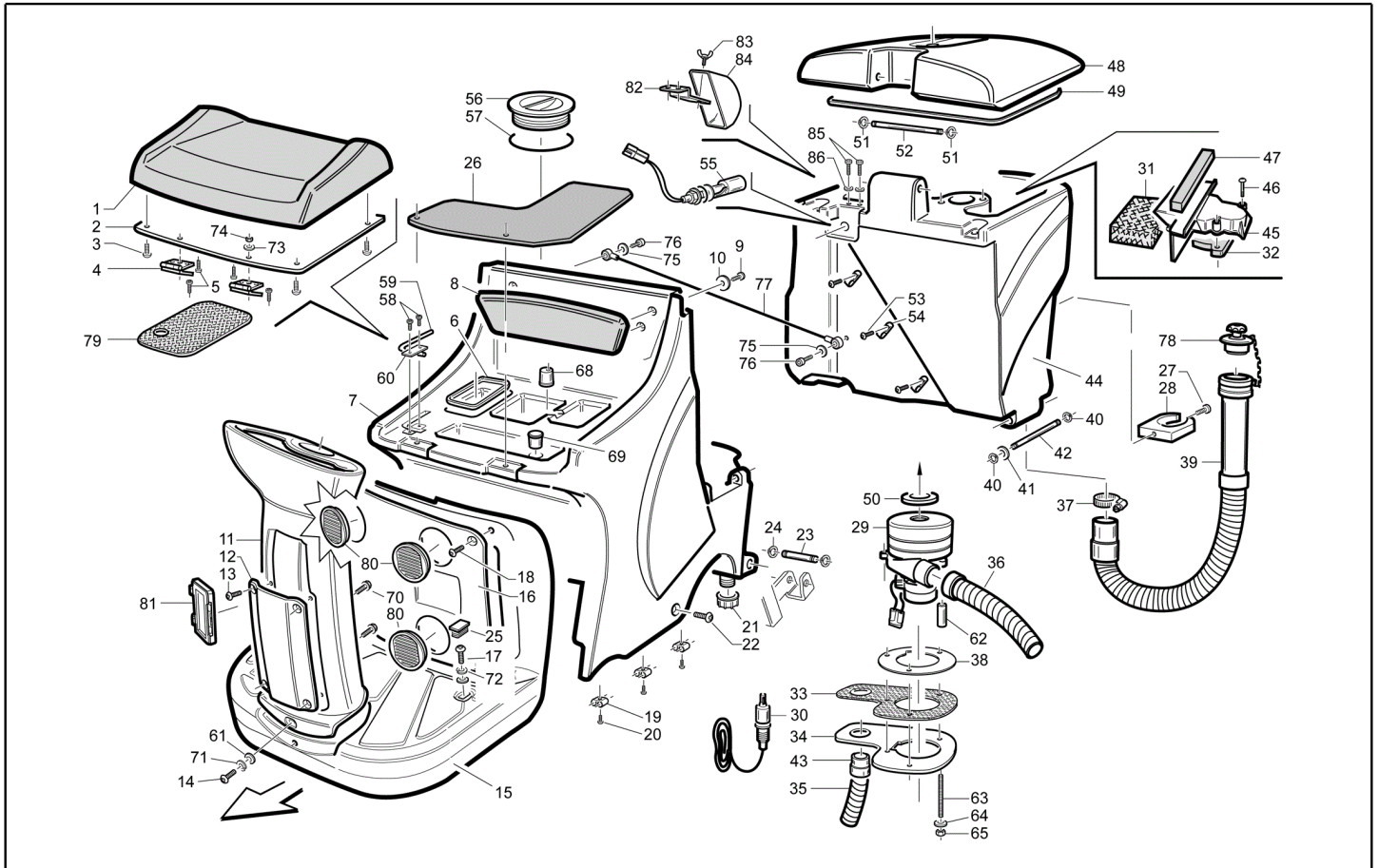
Ref. K	Part n.	Part n. 2	Description	Quantity	Validity		Price
					From	To	
0068	VTDD01694		NUT M6 INOX	2,00			--
0069	VTVT00817		SCREW TE M4x12 UNI 5739 INOX	2,00			--
0070	GUGO36290		O-RING D. 17.04 X 3.53 NBR 70SH	2,00			--
0071	GUGO00427		GASKET -	1,00			--
0072	RCVR00540		CONNECTOR	1,00			--
0073	FTAC00038		FILTER SOLUTION TANK G1/2	1,00			--
0074	VTVT00699		SCREW TE M. 6-70	2,00			--
0075	VTRS13945		WASHER D. 6X18 INX UNI 6593	2,00			--
0076	RCGR00078		VALVE TAP SOLUTION TANK	1,00			--
0077	RCVR00744		CONNECTOR -	1,00			--
0078	TBFX48011		HOSE FLEX D.12X3 ARMORV.PVC TR	0,45			--
0079	MPVR05240		RING NUT G1/2	1,00			--
0080	VTRS05905		WASHER ZIGRINATA	4,00		10/04/2011	--
0080	MPVR05312		ROD M12	4,00	11/04/2011		--
0081	RCVR00109		CURVE 90°	1,00			--
0082	LAFN06366		SHEET METAL PA. FLAP	1,00		03/11/2008	--
0082	LAFN07081		FLANGE -	1,00	04/11/2008		--
0083	MPVR05223		FLAP SX	1,00			--
0084	VTRS15978		WASHER D.12X24 UNI 6592 INX	2,00			--
0085	VTDD15521		NUT M 8 INX A2 UNI 5588	2,00			--
0086	VTRS13945		WASHER D. 6X18 INX UNI 6593	8,00			--
0087	VTRS15144		WASHER D. 6 INX GRW UNI 1751	8,00			--
0088	VTRS15146		WASHER GROVER A2 UNI1751	2,00			--
0089	LAFN07360		SUPPORT PARACOLPI 700	1,00		20/12/2020	--
0089	LAFN11558		SUPPORT .	1,00	21/12/2020		--
0090	MPVR05461		KNOB -	4,00	12/09/2008		--
0091	GUVR00311		GASKET FTAC00038	1,00			--
0093	MEEV00044		SOLENOID VALVE	1,00	07/10/2011		--
0094	MEEV00044		SOLENOID VALVE	1,00	07/10/2011		--
0095	LAFN08907		SPACER 12-8	8,00	29/05/2017		--
0096	VTVT00410		SCREW TE M8x35 UNI5739 INOX	2,00			--
0097	VTVT13938		SCREW TE 8X20 UNI5739 INX	5,00			--
0098	LAFN06950		BRACKET -	1,00			--
0099	VTDD01701		NUT M8 INOX+ZIN.	5,00			--
0100	VTDD01700		NUT M6 INOX+ZIN.	7,00			--
0101	MPVR05647		FLAP -	1,00			--
0102	LAFN06426		BRACKET -	1,00			--
0103	VTVT15143		SCREW TE 6X16 UNI5739	7,00			--



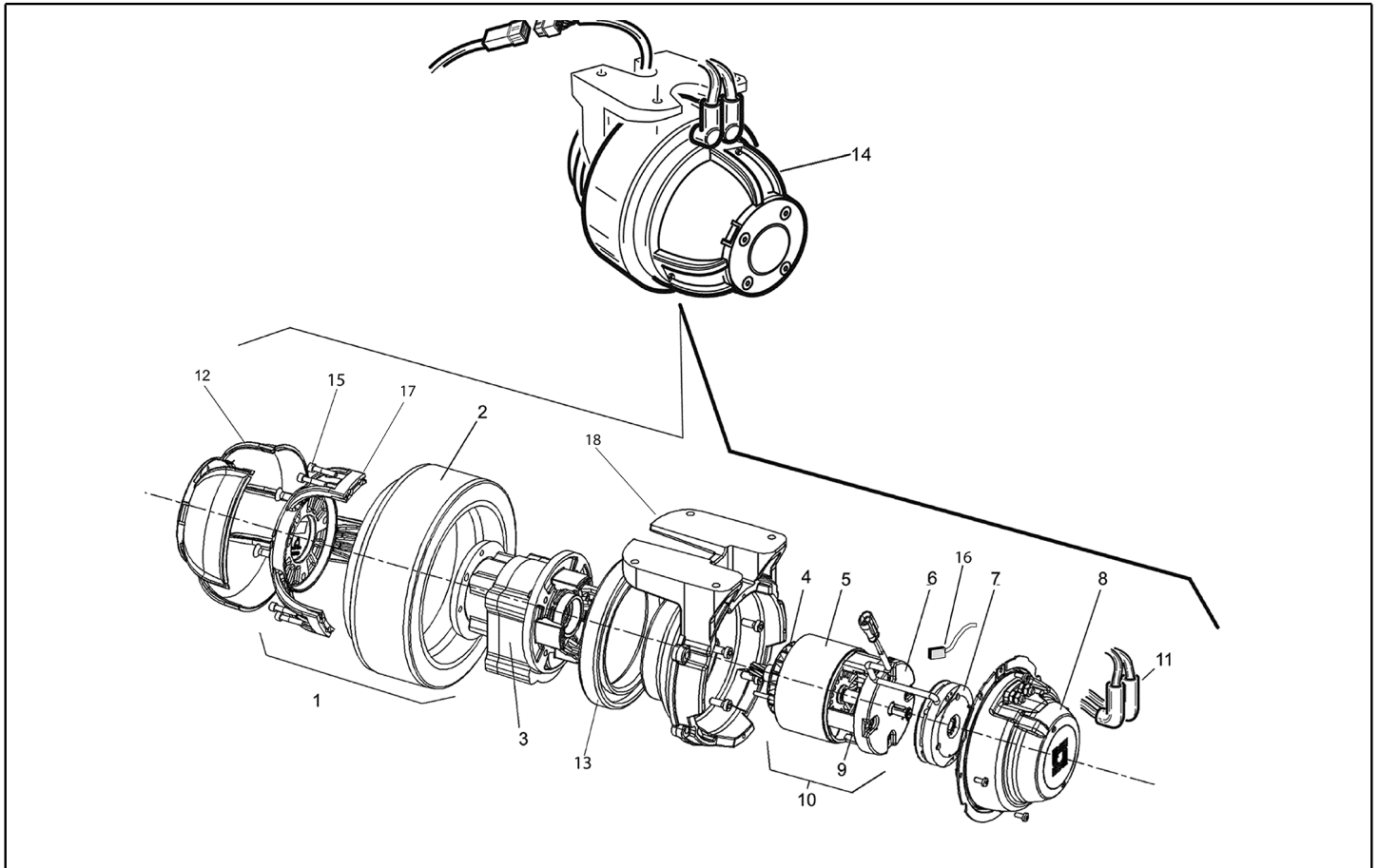
Ref. K	Part n.	Part n. 2	Description	Quantity	Validity		Price
					From	To	
0001	SESD00021		SEAT	1,00			--
0002	LAFN06430		PLATE CT110	1,00			--
0003	VTVT15143		SCREW TE 6X16 UNI5739	4,00			--
0004	CEVR00060		HINGE PORTA SEDILE P185	2,00			--
0005	VTVT01317		SCREW M 5X 12 TSPEI UNI 5933	4,00			--
0006	GLVVR00284		GASKET CT110	1,00			--
0007	MPVR05692		TANK CT110 RAL7024	1,00			--
0008	SESD00020		BACKREST CLEANTIME	1,00			--
0009	VTVT00433		SCREW TE M 6X 30 UNI 5739 INX	2,00			--
0010	VTRS13945		WASHER D. 6X18 INX UNI 6593	4,00			--
0011	MPVR05694		SIDE PANEL CT110	1,00			--
0012	MPVR05693		COVER SCHEDA POTENZA	1,00		09/11/2009	--
0012	MPVR05205		COVER SCHEDA POTENZA	1,00	10/11/2009	28/07/2022	--
0012	MPVR13114		COVER T681	1,00	29/07/2022		--
0013	VTVT00005		SCREW TE M 5X 12 F/ROND.ZIGR	4,00			--
0014	VTVT15142		SCREW TE M 6x45 INOX	1,00			--
0015	MPVR05691		PLANE CT110	1,00			--
0016	MPVR05206		COVER PANNELLO ELETTRONICA	1,00			--
0017	VTVT00433		SCREW TE M 6X 30 UNI 5739 INX	2,00			--
0018	VTVT00005		SCREW TE M 5X 12 F/ROND.ZIGR	4,00			--
0019	FSVR00243		BASE CABLE TIE, PLASTIC	3,00			--
0020	VTVT37012		SCREW M 4X 10 TCB-TC INX	3,00			--
0021	KTRI03463		DISCHARGE CAP SCARICO SERBATOIO SOLUZ.	1,00		31/10/2011	--
0021	MPVR07073		CAP SOLUTION TANK CT110	1,00	01/11/2011	09/03/2017	--
0021	MPVR10773		CAP 3/4"	1,00	10/03/2017		--
0022	VTVT00005		SCREW TE M 5X 12 F/ROND.ZIGR	1,00			--
0023	LAFN06433		PIN ROTAZIONE	2,00			--
0024	VTAE06761		CIRCLIP D. 18 UNI 7435	4,00			--
0025	MPVR05314		CAP STR35X25	2,00			--
0026	MPVR05315		ROD CT110	1,00			--
0027	VTVT15924		SCREW M4X16 UNI7687	1,00			--
0028	MPVR05252		CLIP D.60	1,00			--
0029	MOCC00273		MOTOR VACUUM 3ST 24V	1,00			--
0029	MEVR05200		CARBON BRUSH VACUUM 116599-XX	1,00			--
0030	MECI00533		SENSOR VS303-51N	1,00			--
0031	FTDP00133		FILTER VACUUM MOTOR	1,00			--
0032	GUGO00417		GASKET SCATOLA ASPIRAZIONE	1,00			--
0033	MPVR05103		SOUND-PROOFING ASPIRATORE	1,00			--
0034	LAFN06363		FLANGE ASPIRATORE	1,00			--
0035	TBFX00244		TUBE D 34 L200MM	1,00			--
0036	TBFX00244		TUBE D 34 L200MM	1,00			--
0037	FSVR00033		CLAMP 45-60	1,00			--
0038	MPVR04724		FLANGE IN NYLON	1,00			--
0039	TBBP00401		TUBE ACQUA SPORCA	1,00		25/03/2013	--



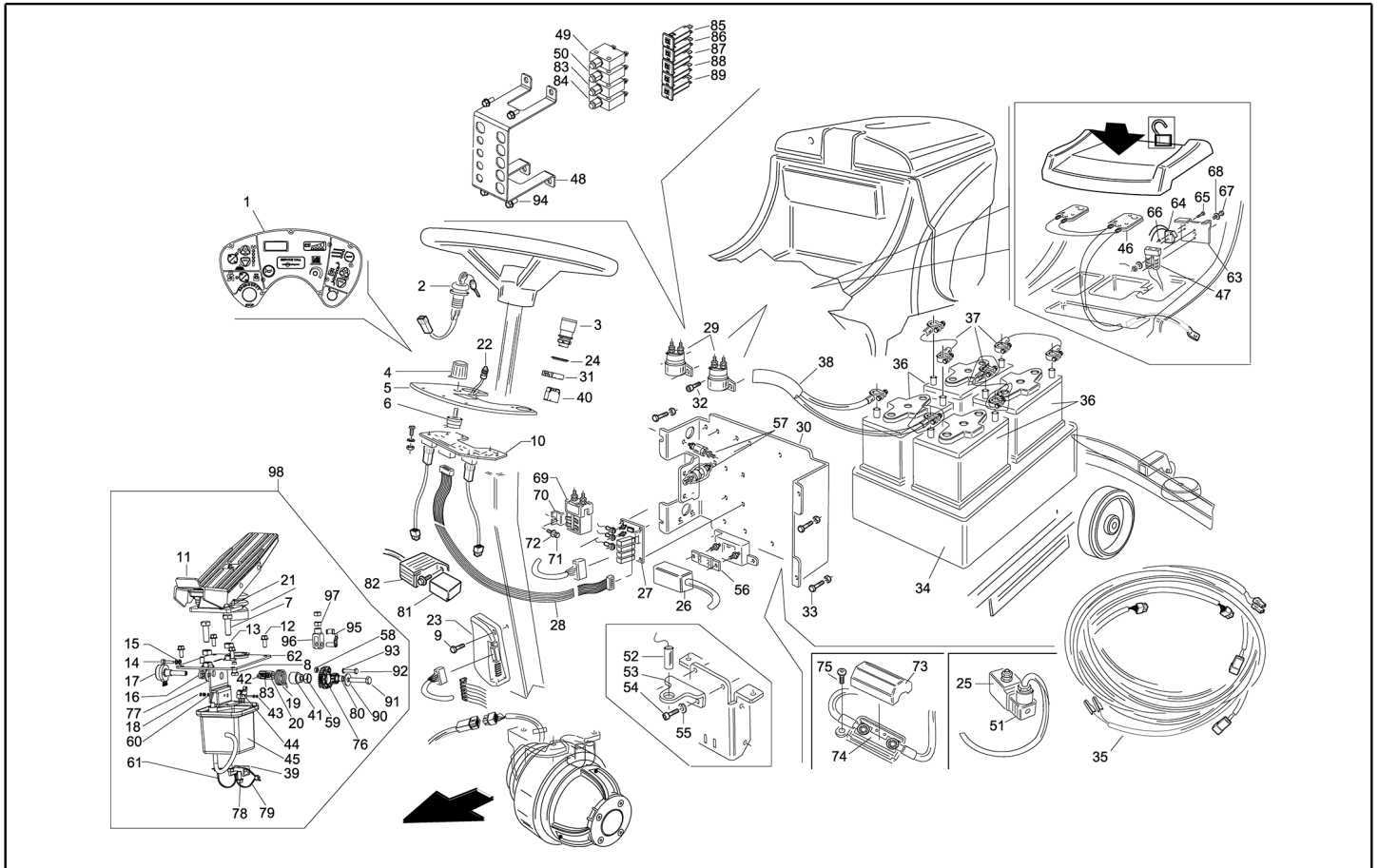
Ref. K	Part n.	Part n. 2	Description	Quantity	Validity		Price
					From	To	
0039	TBFX00362		TUBE PU	1,00	26/03/2013		--
0040	VTAE14096		SEEGER ESTERNO DIN 471 D.8	2,00			--
0041	VTRS13947		WASHER D. 8 INX UNI 6592	1,00			--
0042	LAFN06434		PIN ROTAZIONE	1,00			--
0043	MPVR31077		BUSHING L.450	1,00			--
0044	MPVR05696		TANK CT110	1,00			--
0045	MPVR05482		BOX -	1,00			--
0046	VTVT01325		SCREW TCEI 5X35 INOX UNI5931	2,00			--
0047	GUGO00418		GASKET CONDOTTO ASPIRAZIONE	1,00		03/08/2020	--
0048	MPVR05695		COVER CT110	1,00			--
0049	GUVR00272		GASKET CT110	1,00			--
0050	GUGO00272		GASKET VACUUM MOTOR CT	1,00			--
0051	VTVR00536		SEEGER 8	2,00			--
0052	LAFN06509		PIN ROTAZIONE	1,00			--
0053	VTVT37012		SCREW M 4X 10 TCB-TC INX	3,00			--
0054	MPVR02933		DUCT LOCK D.9,5	3,00			--
0055	MECI00516		SENSOR FLOAT WATER TANK	1,00			--
0056	MPVR05212		CAP -	1,00		22/06/2009	--
0057	GUVR00287		GASKET CT110	1,00		22/06/2009	--
0058	VTVT00849		SCREW M 4X 10 TSPEI INX U.5933	2,00			--
0059	LAFN06431		ROD CT110	1,00			--
0060	LAFN06432		PLATE CT110	1,00			--
0061	VTRS13945		WASHER D. 6X18 INX UNI 6593	1,00			--
0062	LAFN51077		SPACER PH	3,00			--
0063	VTVT00785		ROD FILETTO	3,00			--
0064	VTRS13945		WASHER D. 6X18 INX UNI 6593	3,00			--
0065	VTDD15518		NUT M 6 INX	3,00			--
0068	MPVR05273		CAP CT110	1,00			--
0069	MPVR05272		CAP CT110	1,00			--
0070	VTVT62920		SCREW TE FR 6X16 ZB ZIGRINATE	4,00			--
0071	VTRS15144		WASHER D. 6 INX GRW UNI 1751	1,00			--
0072	VTRS15144		WASHER D. 6 INX GRW UNI 1751	2,00			--
0073	VTRS00502		WASHER D. 5 0.466 UNI 6592	2,00			--
0074	VTDD15517		NUT M 5 INX	2,00			--
0075	VTRS13947		WASHER D. 8 INX UNI 6592	4,00			--
0076	VTVT13938		SCREW TE 8X20 UNI5739 INX	2,00			--
0077	CMCV00427		CABLE CT 110	1,00			--
0078	MPVR05380		CAP REC.TANK DRAIN HOSE CT110	1,00			--
0079	GUGO00313		MOUSSE CT110	1,00			--
0080	LAFN02931		BRACKET FAN COOLER	2,00			--
0081	MEVR00232		DOOR TO REMOVE AND RESET FUSE	1,00			--
0082	LAFN07737		BRACKET -	1,00			--
0083	VTVT01150		SCREW 4x10	1,00			--
0084	MPVR05596		PROTECTION -	1,00			--



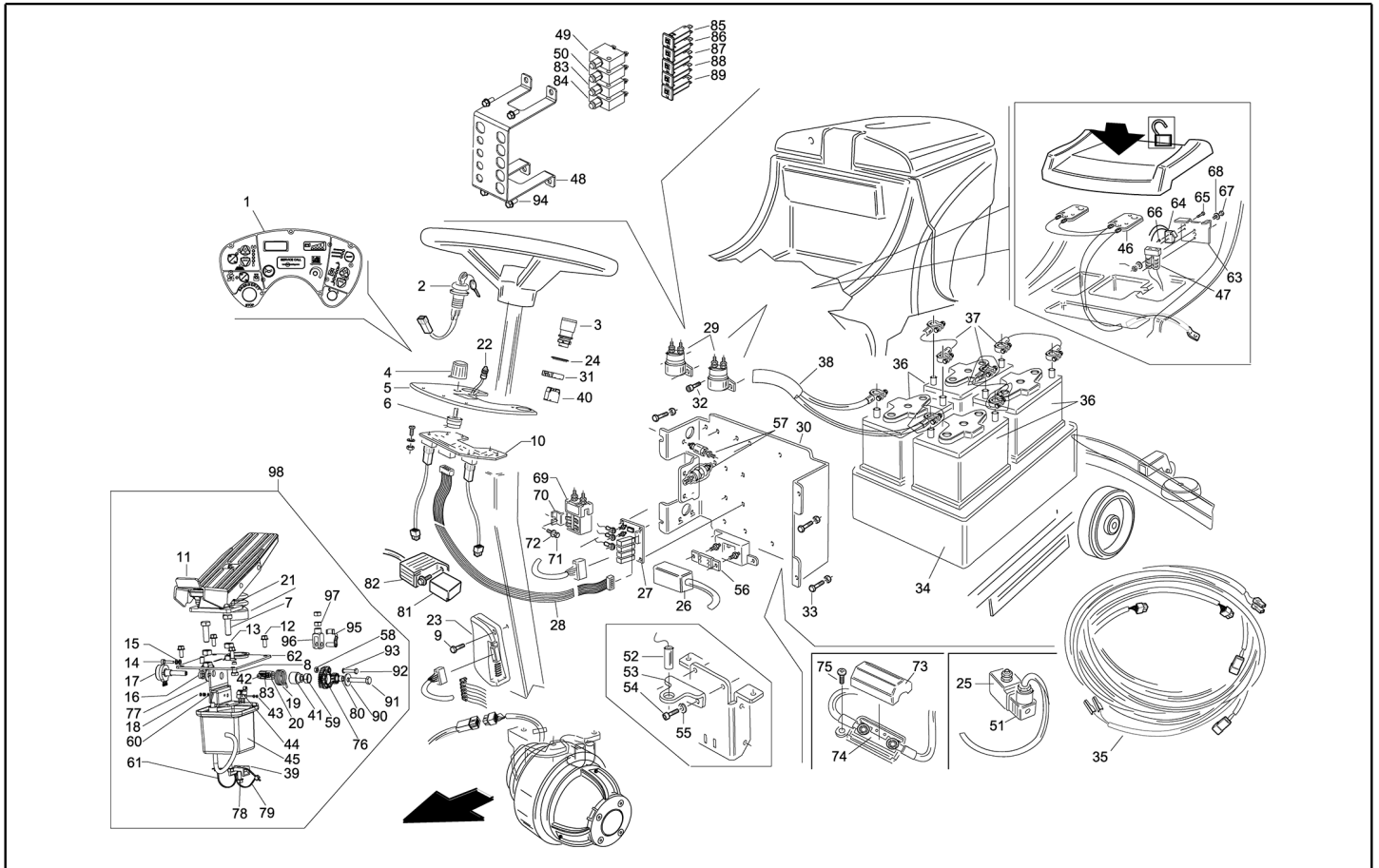
Ref. K	Part n.	Part n. 2	Description	Quantity	Validity		Price
					From	To	
0085	VTVT15961		SCREW M 5X 16 TCB TC UNI 7687	2,00			--
0086	VTRS15908		WASHER D. 5 INX GRW UNI 1751	2,00			--



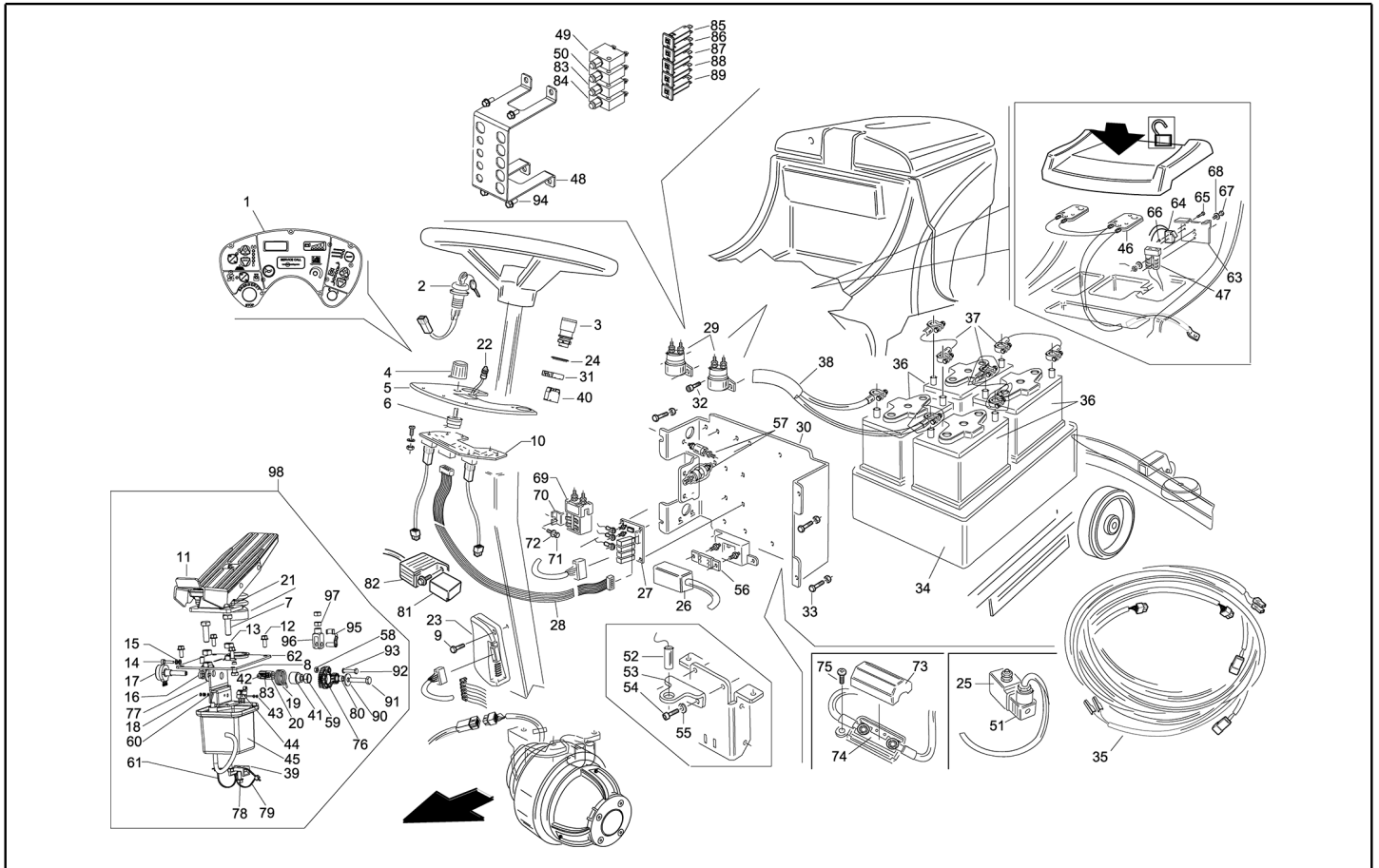
Ref. K	Part n.	Part n. 2	Description	Quantity	Validity		Price
					From	To	
0001	RTRT00533		RING MOTORWHEEL	1,00			--
0002	RTRT00533		RING MOTORWHEEL	1,00			--
0003	RDGR00040		REDUCTION UNIT CT110	1,00			--
0004	KTRI05043		KIT MOTORWHEEL CT110	1,00			--
0006	MEVR02084		TOP CT110	1,00			--
0007	MEVR02030		BRAKE ELECTRIC MOTORWHEEL CT110	1,00			--
0008	MPVR06031		COWLING MOTORUOTA	1,00			--
0009	MEVR00985		BRUSH CARBON 10X18	4,00			--
0010	MOCC00399		MOTOR MP80	1,00			--
0011	MEVR00889		BATTERY BOOT BLACK	2,00			--
0012	MPVR08044		COVER MOTORWHEEL CT110-160-230	1,00			--
0013	CUVR00194		BEARING 61926 2RS	1,00			--
0014	KTRI02209		KIT MOTORWHEEL CT110	1,00			--
0015	VTVT16676		SCREW M6X60 A2 UNI5931	4,00			--
0016	MEVR02902		THERMAL PROTECTOR MOTORWHEEL	1,00			--
0017	MFVR00295		SUPPORT ALUMINIUM PU RING	1,00			--
0018	MFVR00296		SUPPORT -	1,00			--



Ref. K	Part n.	Part n. 2	Description	Quantity	Validity		Price
					From	To	
0001	ETET01485		LABEL -	1,00			--
0002	MECI00723		SWITCH KEY	1,00			--
0002	MEVR00093		KEY SPARE BATTERY VERSION	1,00			--
0003	MECI00582		SWITCH EMERGENCY LOVATO LPCB6634	1,00			--
0004	KTRI01935		KIT 1050-1202	1,00			--
0005	LAFN06408		PLATE -	1,00			--
0006	KTRI05576		KIT POTENTIOMETER SPEED CONTR	1,00			--
0007	VTVT00447		SCREW TE 8X25 UNI5739	2,00			--
0008	VTVT15143		SCREW TE 6X16 UNI5739	2,00			--
0009	VTVT00704		SCREW TE M 4X 16 UNI5739 INOX	4,00			--
0010	MECE00451		BOARD CONTROL PANEL CT110	1,00			--
0011	LAFN06429		PEDAL CT110	1,00			--
0012	VTVT00005		SCREW TE M 5X 12 F/ROND.ZIGR	6,00			--
0013	VTDD00483		NUT M 8 ZIN UNI 5588	2,00			--
0014	VTVT01556		SCREW TCEI M4X16 UNI5931 A2	2,00			--
0015	VTRS15913		WASHER D. 4 GROVER A2 UNI1751	3,00			--
0016	VTDD01694		NUT M6 INOX	3,00			--
0017	MEVR02667		POTENTIOMETER .	1,00			--
0018	VTDD00213		NUT M2	2,00			--
0019	MLML00537		SPRING -	1,00			--
0020	MTCR00114		GEAR M1 Z12	1,00			--
0021	VTDD01694		NUT M6 INOX	3,00			--
0022	MEVR02058		LED -	1,00			--
0023	MECE00916		BOARD TRACTION ITALSEA CT110	1,00			--
0024	MPVR11692		ADAPTER BOTTON	1,00			--
0025	MEEV00044		SOLENOID VALVE	1,00			--
0026	MEVR00146		FUSE-HOLDER MEGA	1,00			--
0027	MECE00575		BOARD ACTUATORS/SLS CT110	1,00			--
0028	MECB01099		CABLE FLAT	1,00			--
0029	METT45116		CONTACTOR T106P 24V 100%	2,00			--
0030	LAFN11712		PLATE .	1,00			--
0031	MECI00583		SMALL BASKET -	1,00			--
0032	VTVT00005		SCREW TE M 5X 12 F/ROND.ZIGR	8,00			--
0033	VTVT00005		SCREW TE M 5X 12 F/ROND.ZIGR	4,00			--
0034	MPVR05217		CONTAINER BATTERIA	1,00			--
0035	MECB02328		WIRING .	1,00			--
0036	BAAC00106		BATTERY 6V 180Ah/C5 GEL IPC	4,00			--
0037	MEVR34820		WIRING BATTERY BRIDGE W/TERMINAL	3,00			--
0038	MECB02328		WIRING .	1,00			--
0039	FSVR00243		BASE CABLE TIE, PLASTIC	1,00			--
0040	MECI00584		CONTACT NC	1,00			--
0041	LAFN11699		PIN .	1,00			--
0042	VTVT00834		SCREW M 3X 6 TCB-TC IX U.7687	1,00			--
0043	VTVT01592		SCREW TC 2X12	2,00			--



Ref. K	Part n.	Part n. 2	Description	Quantity	Validity		Price
					From	To	
0044	MECI00588		MICROSWITCH -	1,00			--
0045	MPVR13162		COVERING .	1,00			--
0046	MEVR00148		SWITCH SEAT SENSOR	1,00			--
0047	MEVR01079		PLUG M CB50 A 600V RD.	1,00			--
0048	LAFN11713		SUPPORT FUSE	1,00			--
0049	METT00132		FUSE CIRCUIT BREAKER 30A	1,00			--
0050	METT00132		FUSE CIRCUIT BREAKER 30A	1,00			--
0051	MECB02328		WIRING .	1,00			--
0052	MECI00535		SENSOR -	1,00			--
0053	LAFN06386		SUPPORT -	1,00			--
0054	VTVT15143		SCREW TE 6X16 UNI5739	2,00			--
0055	VTRS15144		WASHER D. 6 INX GRW UNI 1751	2,00			--
0056	MEVR00145		FUSE 100A	1,00			--
0057	MEVR47082		INSULATOR MM35 M6 CH 32	2,00			--
0058	VTDD00147		NUT M 4 INX U.5588	1,00			--
0059	LAFN11228		BUSHING -	1,00			--
0060	VTRS00581		WASHER D.2	2,00			--
0061	FSVR00052		CLAMP 2,5X100	1,00			--
0062	LAFN11697		SUPPORT .	1,00			--
0063	LAFN07362		PLATE ANDERSON	1,00			--
0064	MECI00334		MICROSWITCH CHARGING PLUG	1,00			--
0065	VTVT00671		SCREW TC- M.2-16 OTTONE	2,00			--
0066	VTDD08634		NUT M2	2,00			--
0067	VTVT01350		SCREW M3-20 INOX	2,00			--
0068	VTRS21116		WASHER D. 3 INX	2,00			--
0069	MECI00532		CONTACTOR 24V-100A	1,00			--
0070	LAFN07743		BRACKET -	1,00			--
0071	VTVT01669		SCREW M4x6 UNI5739 znt cl.4.8	2,00			--
0072	VTRS00501		WASHER D. 4 0.232 UNI 6592	2,00			--
0073	MEVR31036		FUSE-HOLDER	1,00			--
0074	MEVR02042		FUSE 30A NST.	1,00			--
0075	VTVT00079		SCREW AUTOF.TC UNI6954 3,9X22	1,00			--
0076	MPVR13234		CONNECTING ROD .	1,00			--
0077	VTRS04026		WASHER D. 6X18X2.38	1,00			--
0078	VTVT00005		SCREW TE M 5X 12 F/ROND ZIGR	3,00			--
0079	FSVR00052		CLAMP 2,5X100	1,00			--
0080	CUVR00302		BUSHING CB90 0606	1,00			--
0081	MECE00456		RELAY CT110	1,00			--
0082	MEVR02888		BASE TE V23333-Z1001-B045	1,00			--
0083	METT00132		FUSE CIRCUIT BREAKER 30A	1,00			--
0084	METT00133		FUSE CIRCUIT BREAKER 25A	1,00			--
0085	METT00137		FUSE 4A	1,00			--
0086	METT00137		FUSE 4A	1,00			--
0087	METT00136		FUSE 3A	1,00			--



Ref. K	Part n.	Part n. 2	Description	Quantity	Validity		Price
					From	To	
0088	METT00135		FUSE 2A	1,00			--
0089	METT00134		FUSE 1A	1,00			--
0090	VTRS04026		WASHER D. 6X18X2.38	1,00			--
0091	VTVT00245		SCREW TE M6X30 UNI 5739	1,00			--
0092	VTVT01529		SCREW TE M4X20 ZINC. UNI 5739	11,00			--
0093	VTRS15913		WASHER D. 4 GROVER A2 UNI1751	1,00			--
0094	VTVT00005		SCREW TE M 5X 12 F/ROND.ZIGR	4,00			--
0095	CMCV75717		CLIP UNI 1676 M6x12	1,00			--
0096	CMCV76639		FORK M 6 UNI 1676	1,00			--
0097	VTDD00482		NUT M 6 ZIN UNI 5588	1,00			--
0098	KTRI06366		KIT .	1,00			--