

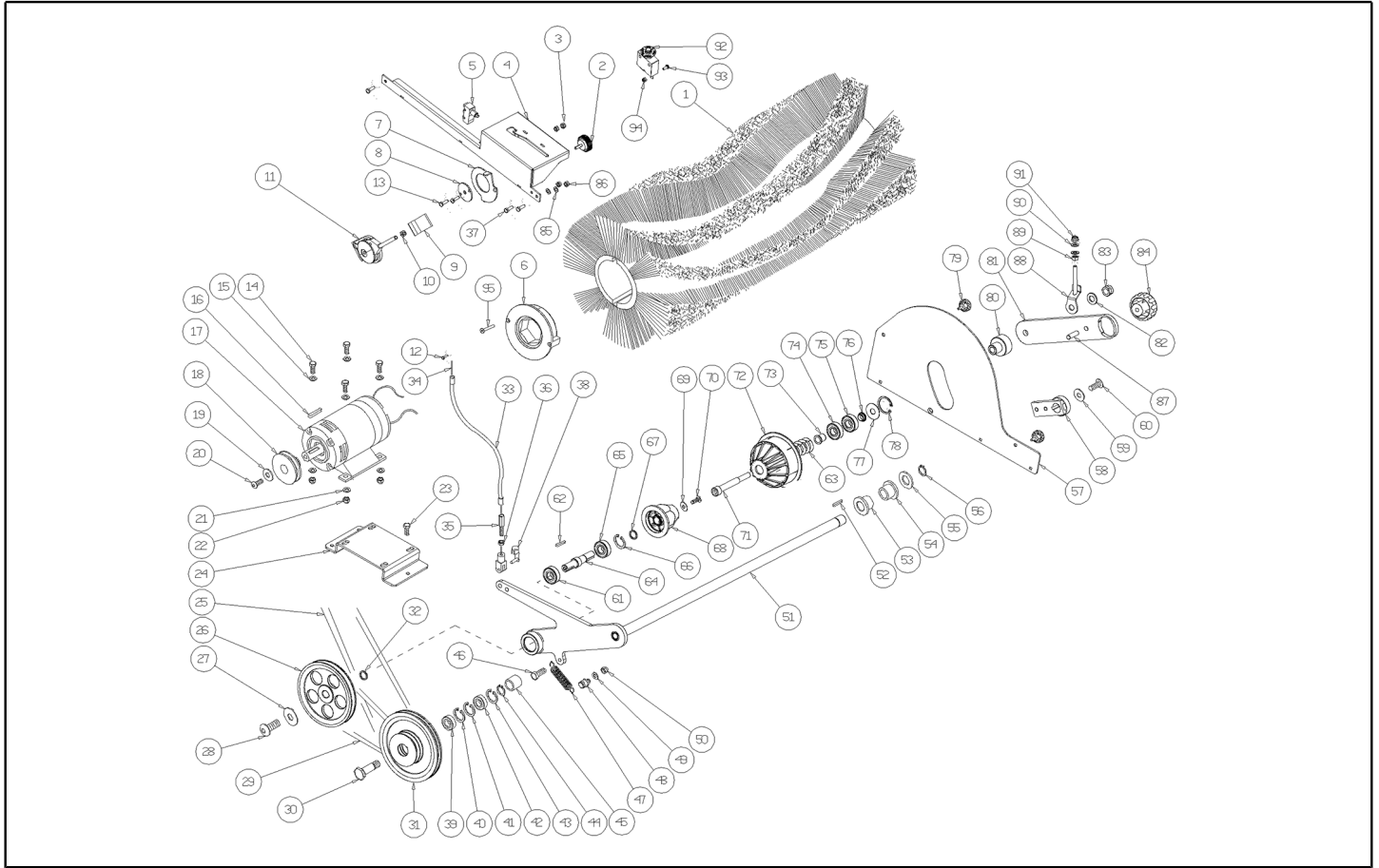


IPC

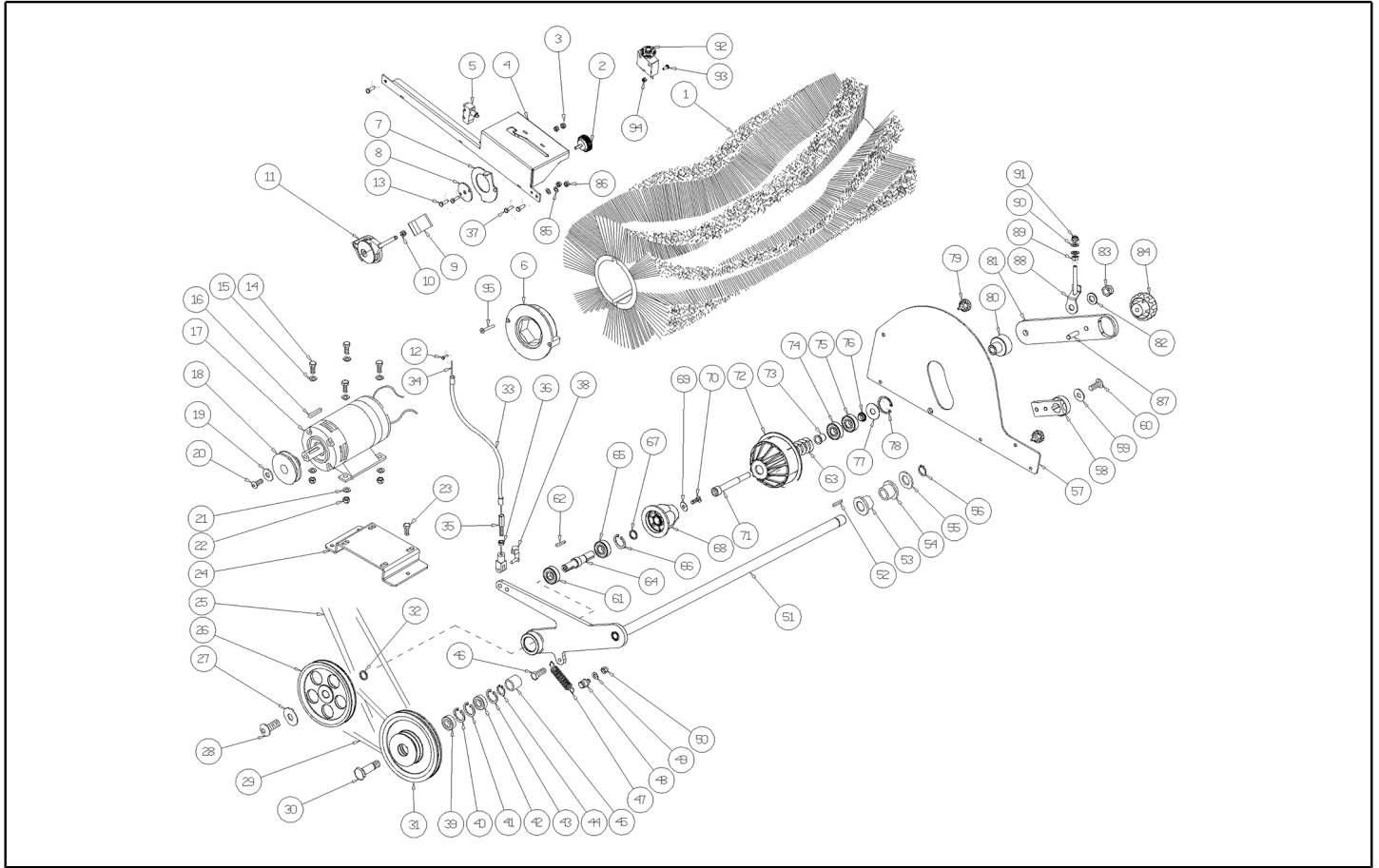
Spare parts list

Ref: MSUB00614

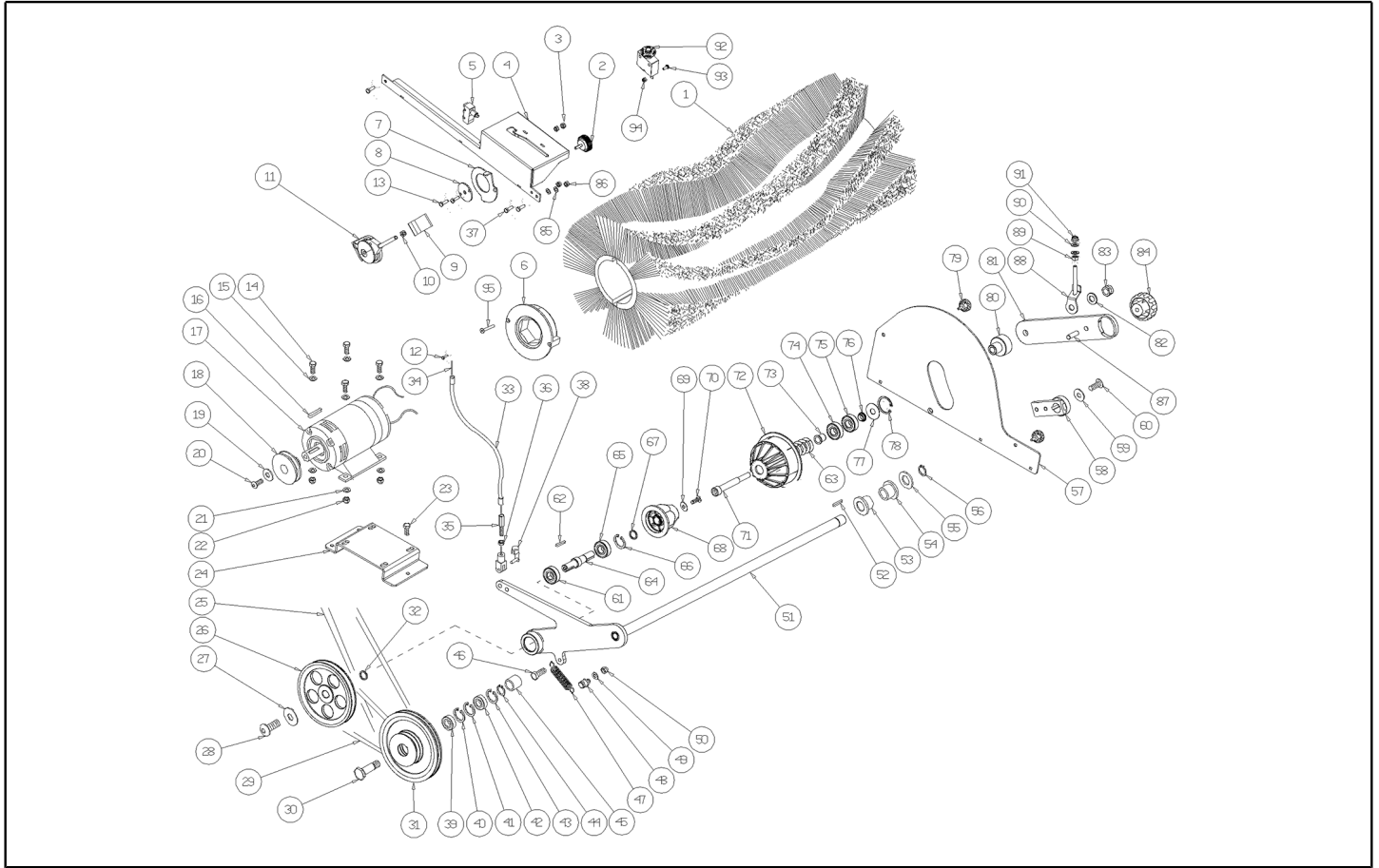
Model: SWEEPER 1250 DP P. F.PAN. GR/VE



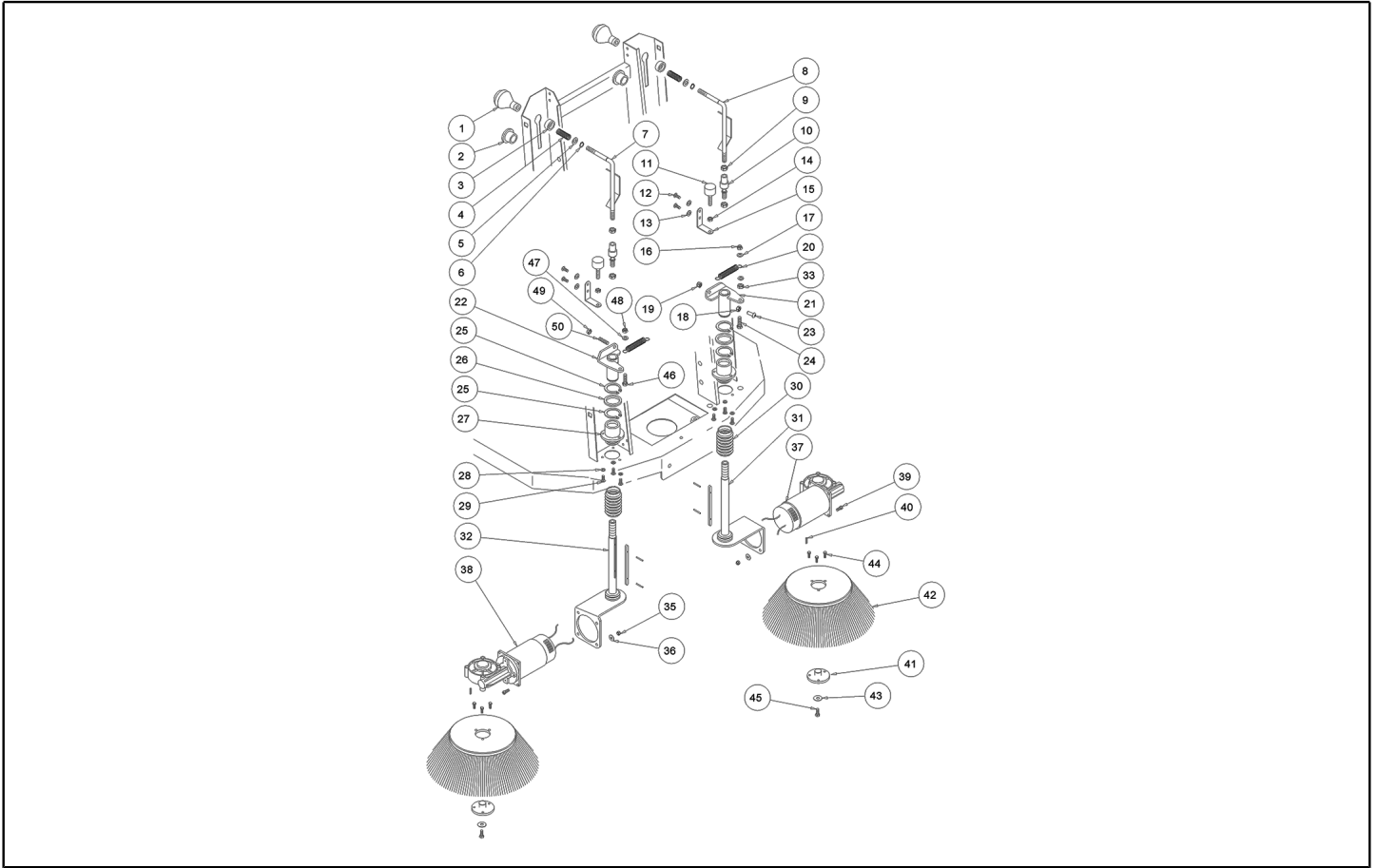
Ref. K	Part n.	Part n. 2	Description	Quantity	Validity		Price
					From	To	
0001	SPPV75791		CENTRAL BRUSH 680X280mm	1,00			--
0002	VTVT00125		HANDWHEEL D.40 M6X15	1,00			--
0003	VTDD00491		NUT M 6 TEF	2,00			--
0004	LAFN08182		LEVER -	1,00			--
0005	MECI75801		MICROSWITCH A PISTONE (MS/10-Z15GC)	1,00			--
0006	LAFN45099		DRIVE DISK CENTRAL BRUSH	1,00			--
0007	LAFN08186		SHEET METAL PA. -	1,00			--
0008	LAFN08176		THICKNESS -	1,00			--
0009	CMCV33356		MANOEUVRE LEVER INOX C/POM.SX NRO	1,00			--
0010	VTDD00483		NUT M 8 ZIN UNI 5588	1,00			--
0011	CMCV33356		MANOEUVRE LEVER INOX C/POM.SX NRO	1,00			--
0012	VTVT34115		SCREW TE M 5X 10 UNI 5739	1,00			--
0013	VTVT00444		SCREW TE 6X20 UNI5739	2,00			--
0014	VTVT00448		SCREW TE 8X30 UNI5739	4,00			--
0015	VTRS00504		WASHER D. 8 ZC. UNI 6592	4,00			--
0016	VTVR13165		KEY UNI 6604 5X5X20	1,00			--
0017	MOCC87164		MOTOR MP80S/2 24V 3500G 600W	1,00			--
0018	MTPL00215		PULLEY -	1,00			--
0019	VTRS63242		WASHER UNI 6593 6X24X2 ZB	1,00			--
0020	VTVT01531		SCREW TE 6X 16 UNI 5739	1,00			--
0021	VTRS00504		WASHER D. 8 ZC. UNI 6592	4,00			--
0022	VTDD00124		NUT M8 DIN985	4,00			--
0023	VTVT62920		SCREW TE FR 6X16 ZB ZIGRINATE	3,00			--
0024	LAFN08171		SHEET METAL PA. TK1000	1,00			--
0025	MTCG00139		BELT XPZ ESEC.6T 6B LP825	1,00			--
0026	MTPL75998		PULLEY CENTRAL BRUSH ACTIVATION	1,00			--
0027	VTRS00513		WASHER UNI 6593 8X32X2,5 ZB	1,00			--
0028	VTVT87271		SCREW TBCE ISO 7380 8X16 ZB	1,00			--
0029	MTCG00138		BELT XPZ ESEC.6T 6B LP758	1,00			--
0030	LAFN00465		PIN FISSAG.PULEGGIA RINVIO	1,00			--
0031	MTPL75999		PULLEY BELT TRANSMISSION CENT.BR	1,00			--
0032	LAFN06823		SPACER CUSCINETTI ALB.SPAZ.CENT.	1,00			--
0033	CMCV75904		BRAKE SHEATH TK 1000E/S	1,00			--
0034	CMCV00451		CABLE STEEL MAIN BRUSH LIFTING	1,00			--
0035	LAFN76659		PIN REGISTR.CAVO ALZA SPAZZ.	1,00			--
0036	VTDD86871		NUT UNI 5589 M7 ZB	1,00			--
0037	VTVT62920		SCREW TE FR 6X16 ZB ZIGRINATE	3,00			--
0038	CMCV75718		CLIP UNI 1676 M8x16	1,00			--
0039	CUVR00005		BEARING 6202 2RS	1,00		06/06/2023	--
0039	CUVR17004		BALL BEARING 6202 -2RS1	1,00	07/06/2023		--
0040	VTAE17002		CIRCLIP D. 35 UNI 7437	1,00			--
0041	VTAE17002		CIRCLIP D. 35 UNI 7437	1,00			--
0042	CUVR00005		BEARING 6202 2RS	1,00		06/06/2023	--
0042	CUVR17004		BALL BEARING 6202 -2RS1	1,00	07/06/2023		--



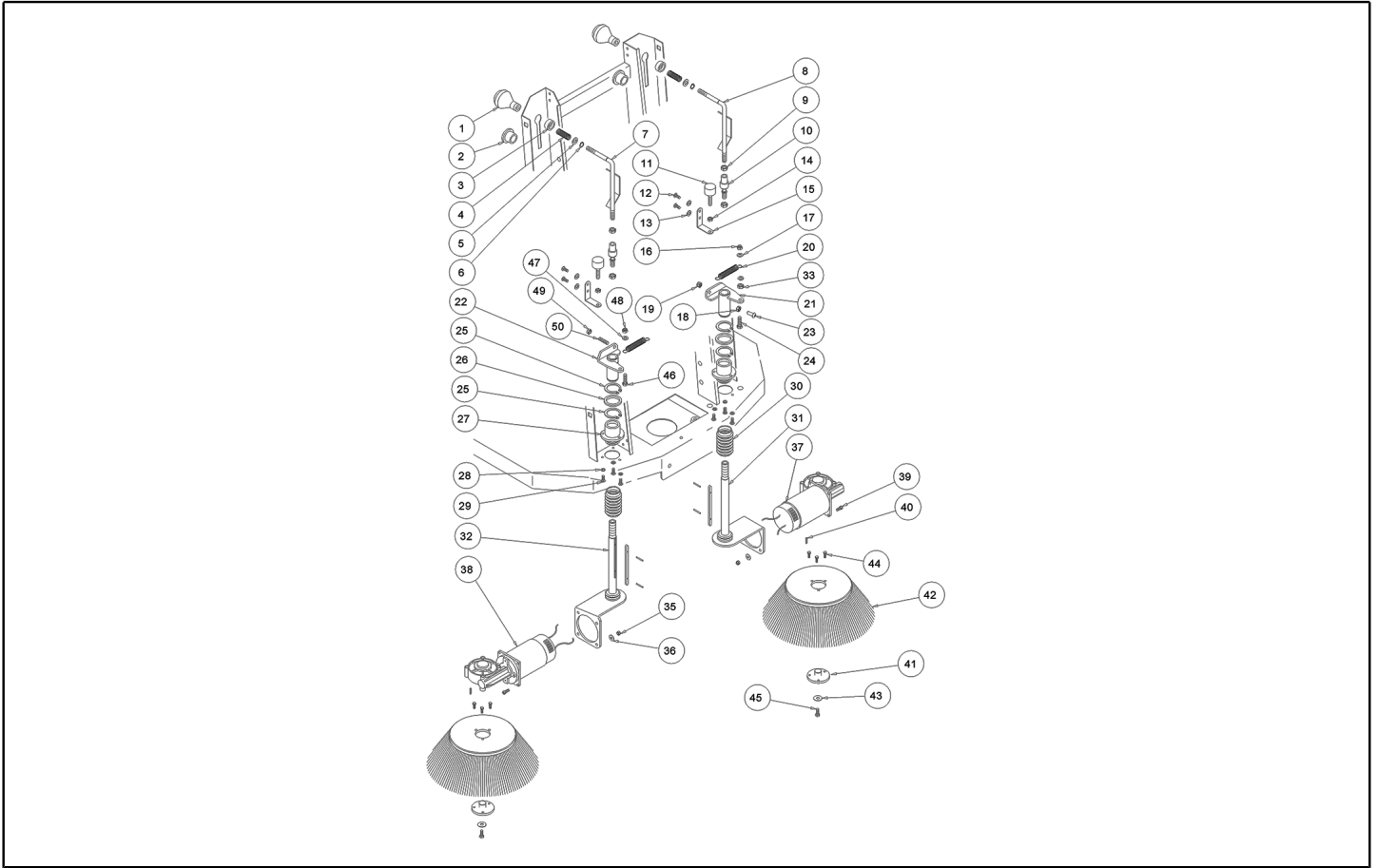
Ref. K	Part n.	Part n. 2	Description	Quantity	Validity		Price
					From	To	
0043	VTAE17002		CIRCLIP D. 35 UNI 7437	1,00			--
0044	VTAE17003		CIRCLIP ESTERNO DIN 471 D.15	1,00			--
0045	LAFN00091		BUSHING PER PULEGGIA TRAINO	1,00			--
0046	VTVT63129		SCREW TE FR 8X16 ZB ZIGRINATE	1,00			--
0047	MLML87162		SPRING CON GANCI D.17X2X150 ZB	1,00			--
0048	LAFN00464		PIN MOLLA RITORN.SPAAZ.CENTR.	1,00			--
0049	VTRS00504		WASHER D. 8 ZC. UNI 6592	1,00			--
0050	VTDD00124		NUT M8 DIN985	1,00			--
0051	LAFN08197		ARM -	1,00			--
0052	VTVR28706		KEY UNI 6604 6X6X20	1,00			--
0053	MPVR85319		BUSHING INTERNA SUPPORTO BILANC.	1,00			--
0054	MPVR85319		BUSHING INTERNA SUPPORTO BILANC.	1,00			--
0055	VTRS00509		WASHER D.20 PIANA Z. UNI6592	1,00			--
0056	VTAE06193		CIRCLIP D. 20 UNI 7435	1,00			--
0057	LAFN36064		CLOSURE BRUSH COMPARTMENT	1,00			--
0058	LAFN00699		CLAMP BRACCIO BLOC.SPAAZ.TK1000	1,00			--
0059	VTRS00514		WASHER UNI 6593 10X30X2,5 ZB	1,00			--
0060	VTVT47025		SCREW TBCE ISO 7380 10X16 ZB	1,00			--
0061	CUVR17004		BALL BEARING 6202 -2RS1	1,00			--
0062	VTVR13165		KEY UNI 6604 5X5X20	1,00			--
0063	MLML00295		SPRING SPAZZOLA CENTRALE	1,00			--
0064	LAFN08198		SHAFT -	1,00			--
0065	CUVR17004		BALL BEARING 6202 -2RS1	1,00			--
0066	VTAE17002		CIRCLIP D. 35 UNI 7437	1,00			--
0067	LAFN06823		SPACER CUSCINETTI ALB.SPAAZ.CENT.	1,00			--
0068	MPVR04915		HUB CENTRAL BRUSH 1404	1,00			--
0069	VTRS04026		WASHER D. 6X18X2.38	1,00			--
0070	VTVT62920		SCREW TE FR 6X16 ZB ZIGRINATE	1,00			--
0071	VTVT01128		SCREW TCCE UNI 5931 12X120 ZB	1,00			--
0072	MPVR04923		SUPPORT SPAZZOLA CENTRALE	1,00			--
0073	LAFN06782		BUSHING PER CUSCINETTO	1,00			--
0074	CUVR17004		BALL BEARING 6202 -2RS1	1,00			--
0075	CUVR17004		BALL BEARING 6202 -2RS1	1,00			--
0076	LAFN06783		BUSHING PER CUSCINETTO 1	1,00			--
0077	VTRS00553		WASHER PARAPOLVERE	1,00			--
0078	VTAE17002		CIRCLIP D. 35 UNI 7437	1,00			--
0079	RTRT00022		HANDWHEEL D.30 M6X15	2,00			--
0080	LAFN06836		PIN CENTRAGGIO PROTEZIONE	1,00		03/09/2015	--
0080	LAFN09473		BUSHING -	1,00	04/09/2015		--
0081	LAFN08193		ARM -	1,00			--
0082	VTRS00506		WASHER D.12 UNI 6592	1,00			--
0083	VTDD00012		NUT AUTOBLOK DIN 985 M12 ZB	1,00			--
0084	VTVR00047		HANDWHEEL D.50 M8	1,00			--
0085	VTRS00504		WASHER D. 8 ZC. UNI 6592	2,00			--



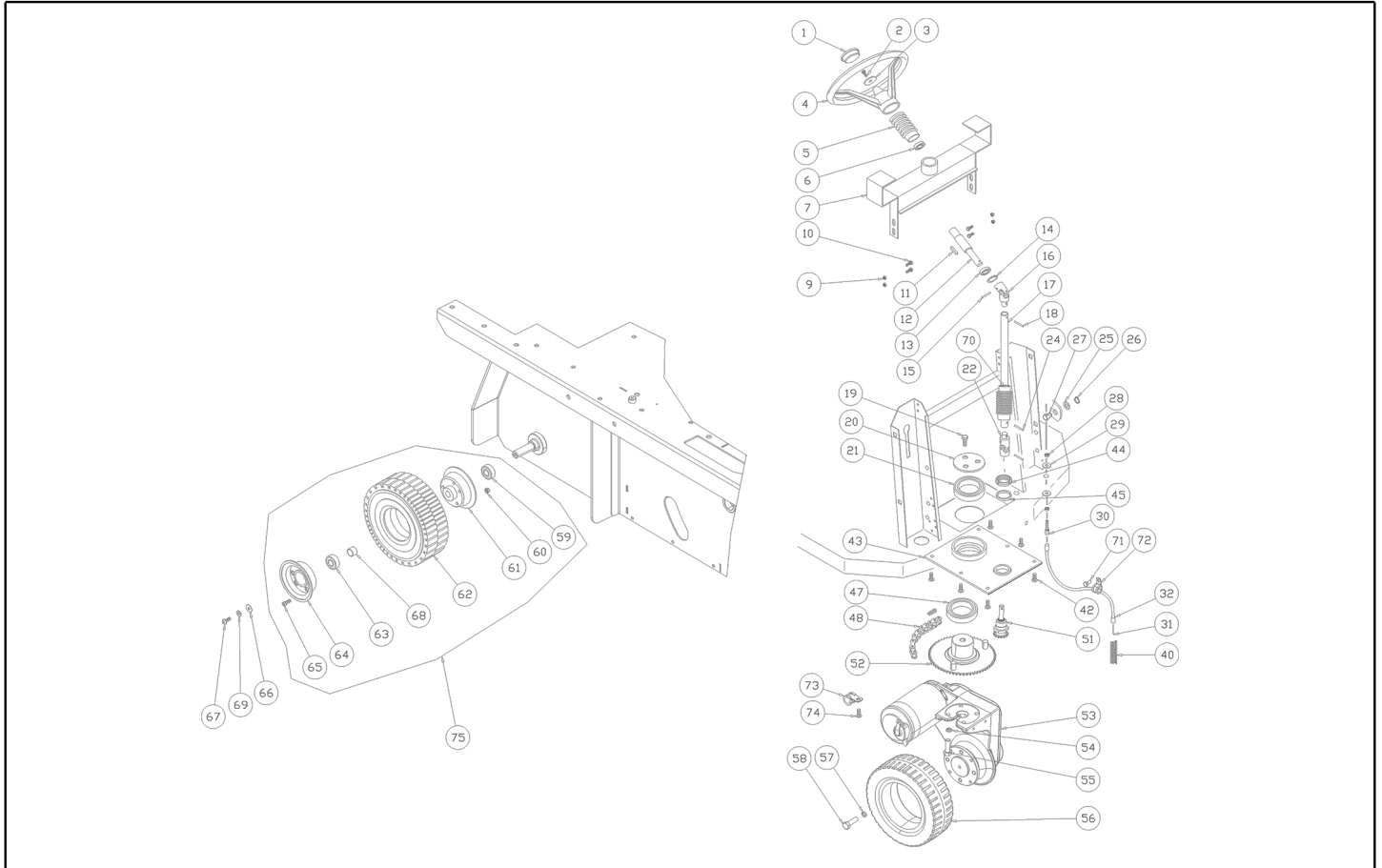
Ref. K	Part n.	Part n. 2	Description	Quantity	Validity		Price
					From	To	
0086	VTDD00491		NUT M 6 TEF	2,00			--
0087	VTVT00046		GRUB SCREW UNI 5923 8X35 ZB	1,00			--
0088	LAFN08826		REGISTER -	1,00	19/05/2015		--
0089	VTDD00483		NUT M 8 ZIN UNI 5588	1,00	19/05/2015		--
0090	VTRS00504		WASHER D. 8 ZC. UNI 6592	2,00	19/05/2015		--
0091	VTDD00124		NUT M8 DIN985	1,00	19/05/2015		--
0092	MEVR02899		FUSE CIRCUIT BREAKER 35A	1,00	13/12/2016		--
0093	VTVT00722		SCREW	2,00	13/12/2016		--
0094	VTDD00210		NUT M 3 AUTOBL.DIN 985 IX.A2	2,00	13/12/2016		--
0095	VTVT01705		SCREW 4X45 UNI 9709	2,00			--



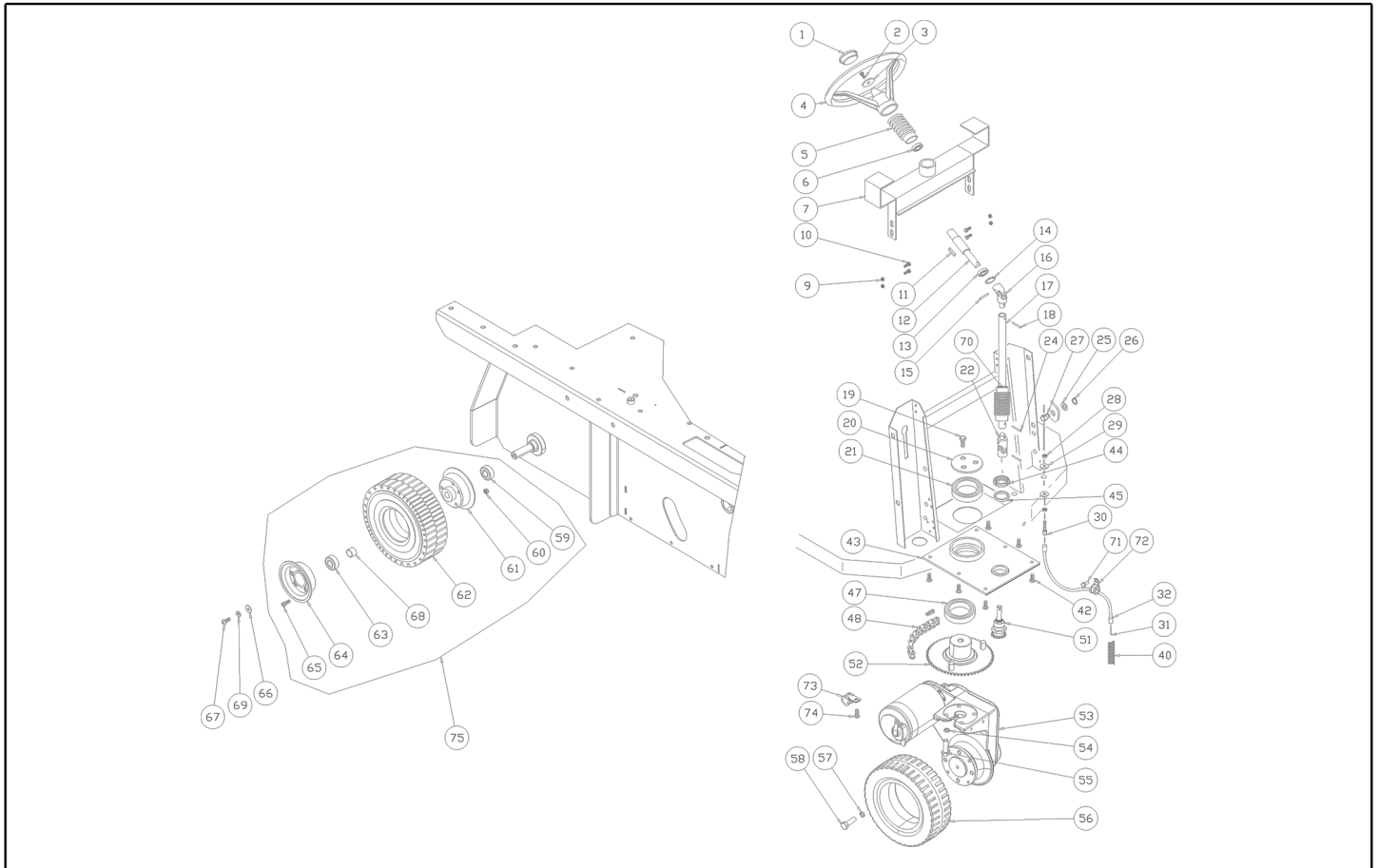
Ref. K	Part n.	Part n. 2	Description	Quantity	Validity		Price
					From	To	
0001	MPVR87264		KNOB ALZASPAZ.LATERALE TK1000	2,00			--
0002	MPVR47076		BUSHING DI FERMO BRACCIO LAT.	2,00			--
0003	MPVR47074		BUSHING FERMO ALZASPAZ.LAT.INT.	2,00			--
0004	MLML47075		SPRING LEVA SPAZ.LAT.D.15X1,5X24	2,00			--
0005	VTRS00505		WASHER D.10 UNI 6592	2,00			--
0006	VTAE87276		SEEGER EXT. D10 DIN471	2,00			--
0007	LAFN00700		ARM DX ALZA SPAZ. TK1000 ZINC	1,00			--
0008	LAFN87265		ARM SX ALZA SPAZ.LAT.TK1000zn	1,00			--
0009	VTDD00484		NUT M10 ZIN UNI 5588	2,00		29/12/2014	--
0009	VTDD00008		NUT M10 UNI 5589 ZB	4,00	30/12/2014		--
0010	VTVR47072		ARTICULATION ASSIALE M10	2,00			--
0011	MPVR75799		FOOT 20X9 M6X18	2,00		29/12/2014	--
0011	ABGO00008		VIBRATION DAMP. PM 20X20 M6X20	2,00	30/12/2014		--
0012	VTVT75726		SCREW TBCE ISO 7380 6X16 ZB	4,00			--
0013	VTRS04026		WASHER D. 6X18X2.38	4,00			--
0014	VTDD00482		NUT M 6 ZIN UNI 5588	2,00			--
0015	MPVR86579		SUPPORT TK	2,00			--
0016	VTDD00124		NUT M8 DIN985	2,00			--
0017	VTRS00504		WASHER D. 8 ZC. UNI 6592	2,00			--
0018	VTDD00483		NUT M 8 ZIN UNI 5588	1,00			--
0019	VTDD00124		NUT M8 DIN985	1,00			--
0020	MLML00015		SPRING RIT.BR.LAT.D.19X3,25X57zb	2,00			--
0021	LAFN08975		GUIDE -	1,00			--
0022	LAFN08974		GUIDE -	1,00			--
0023	VTVT75724		SCREW TBCE ISO 7380 8X22 ZB	1,00			--
0024	VTVT00447		SCREW TE 8X25 UNI5739	1,00			--
0025	VTAE12644		CIRCLIP ESTERNO DIN 471 D.30	4,00			--
0026	LAFN47081		SPACER PROT.SEEGER SPAZ.LAT 1000	2,00			--
0027	LAFN08973		FLANGE -	2,00			--
0028	VTRS00504		WASHER D. 8 ZC. UNI 6592	6,00			--
0029	VTVT75725		SCREW TBCE ISO 7380 6X10 ZB	6,00			--
0030	MPVR47066		PROTECTOR X ALBERO SPAZZOLA TK1000	2,00			--
0031	LAFN08196		SUPPORT -	1,00			--
0032	LAFN08195		SUPPORT -	1,00			--
0033	VTDD00483		NUT M 8 ZIN UNI 5588	1,00			--
0035	VTDD00491		NUT M 6 TEF	8,00		10/11/2016	--
0036	VTRS00503		WASHER D. 6 UNI 6592	8,00			--
0037	RDGR75785		MOTOR.GEARBOX AOMPI40 24V 90W SX TK1000	1,00		22/03/2015	--
0037	MOCC00443		MOTOR LEFT SIDE BRUSH MOT.1250B	1,00	23/03/2015		--
0038	RDGR75784		MOTOR.GEARBOX AOMPI40 24V 90W DX TK1000	1,00		22/03/2015	--
0038	MOCC00442		MOTOR RIGHT SIDE BRUSH MOT.1250	1,00	13/03/2015		--
0039	VTVT06237		SCREW TCCE UNI 5931 6X20 ZB	8,00		10/11/2016	--
0039	VTVT09913		SCREW TCCE UNI 5931 6X16 ZB	8,00	11/11/2016		--
0040	VTVR33667		KEY UNI 6604 5X5X25	2,00			--



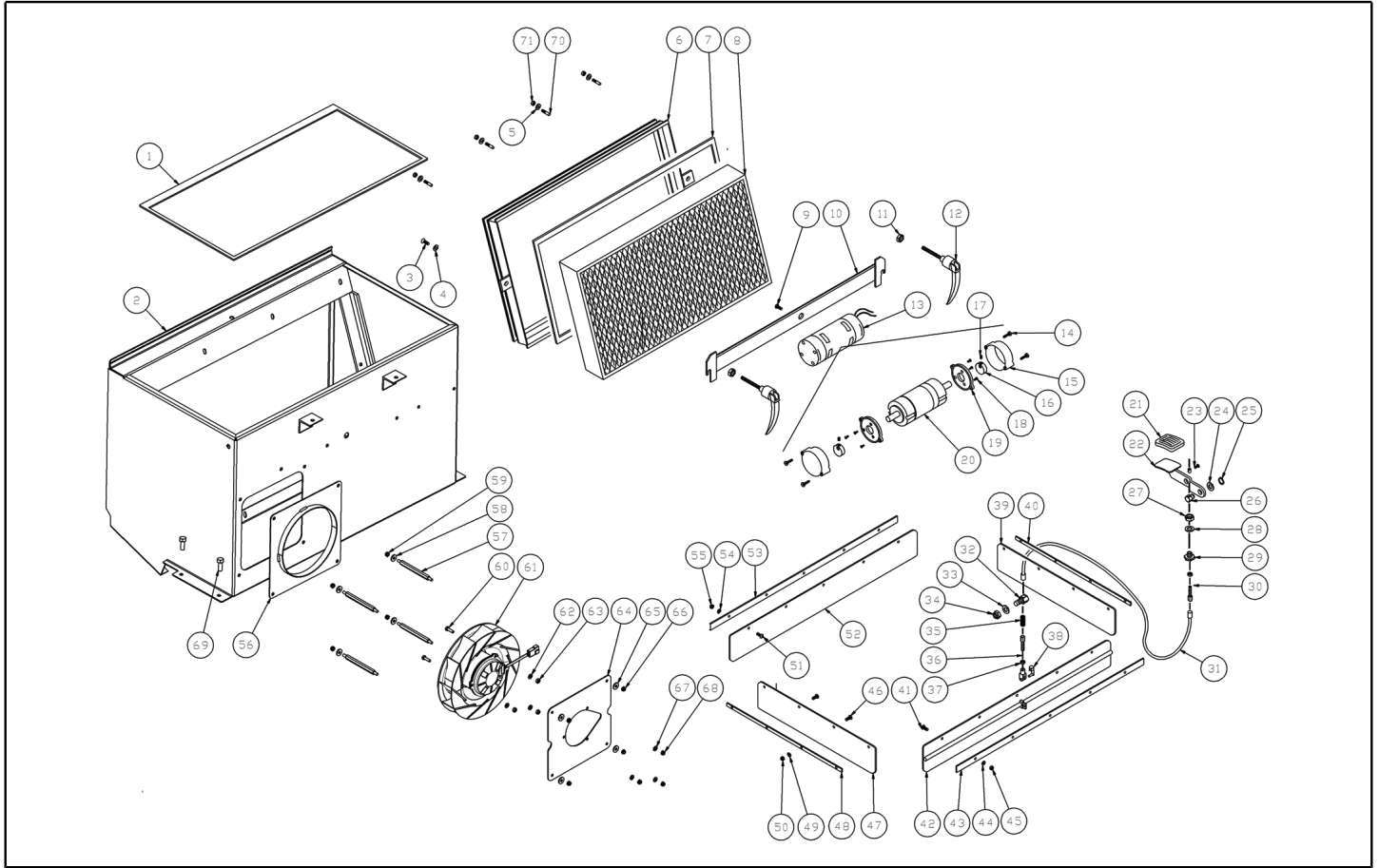
Ref. K	Part n.	Part n. 2	Description	Quantity	Validity		Price
					From	To	
0041	LAFN45010		FLANGE L.1400 LT	2,00			--
0042	SPPV00018		SIDE-BRUSH 1202-1250-1280	2,00			--
0043	VTRS63242		WASHER UNI 6593 6X24X2 ZB	2,00			--
0044	VTVT62920		SCREW TE FR 6X16 ZB ZIGRINATE	6,00			--
0045	VTVT00527		SCREW TE FR 6X10 ZB ZIG.	2,00			--
0046	VTVT63129		SCREW TE FR 8X16 ZB ZIGRINATE	1,00			--
0047	VTRS00504		WASHER D. 8 ZC. UNI 6592	1,00			--
0048	VTDD00492		NUT AUTOBLOK DIN 982 M8 ALTO	1,00			--
0049	VTDD00483		NUT M 8 ZIN UNI 5588	1,00			--
0050	VTVT00046		GRUB SCREW UNI 5923 8X35 ZB	1,00			--



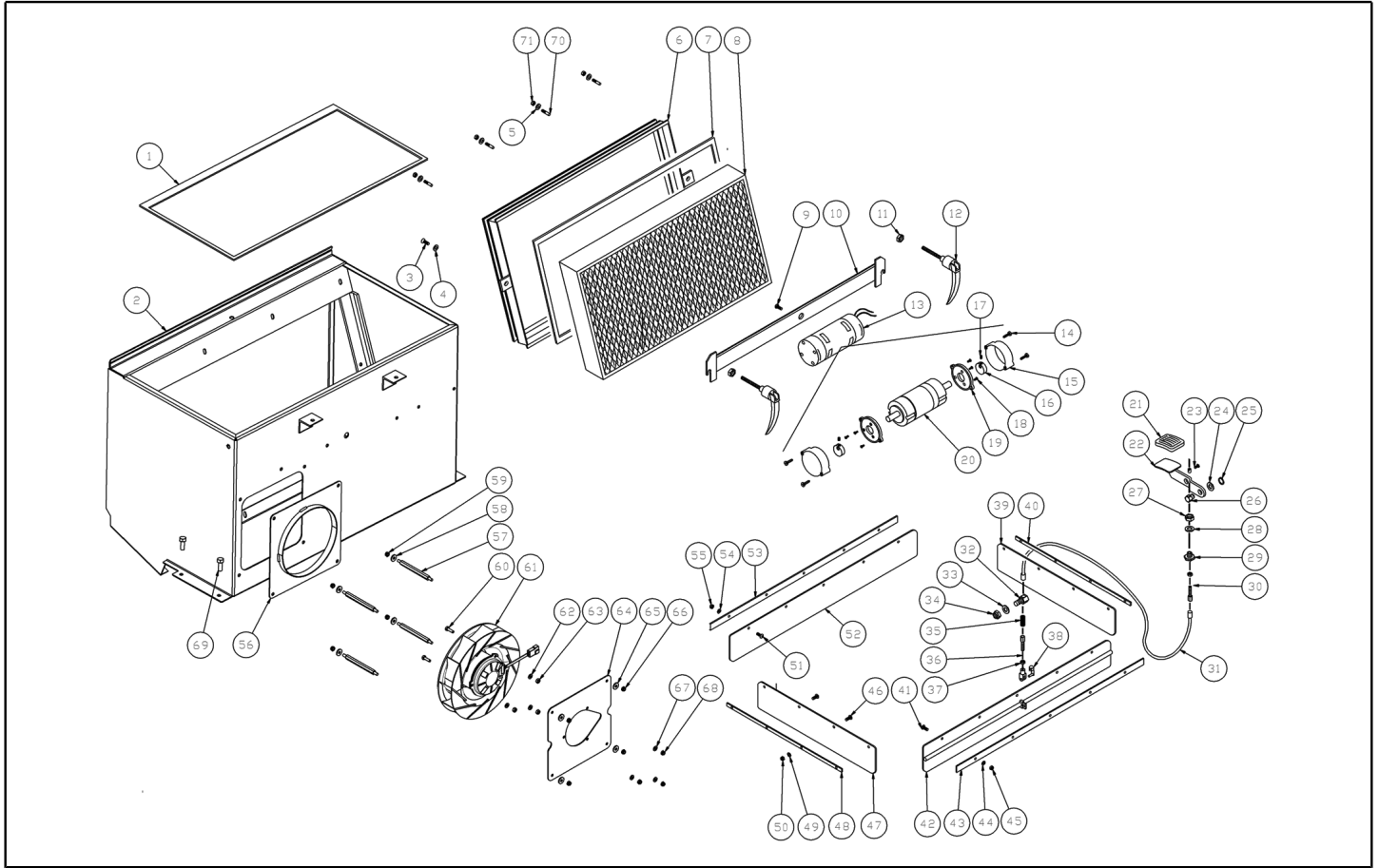
Ref. K	Part n.	Part n. 2	Description	Quantity	Validity		Price
					From	To	
0001	MPVR47026		CAP PER VOLANTE	1,00			--
0002	VTVT47025		SCREW TBCE ISO 7380 10X16 ZB	1,00			--
0003	VTRS44254		WASHER UNI 6593 10X40X2,5 ZB	1,00			--
0004	MPVR47027		STEERING WHEEL D.320 SENZA POMELLO	1,00			--
0005	MPVR47066		PROTECTOR X ALBERO SPAZZOLA TK1000	1,00			--
0006	CUVR00005		BEARING 6202 2RS	1,00			--
0007	LAFN09337		SUPPORT 1250-1280	1,00			--
0009	VTDD07887		NUT M 6 SERPRESS	4,00			--
0010	VTVT62920		SCREW TE FR 6X16 ZB ZIGRINATE	4,00			--
0011	VTVR13164		KEY UNI 6604 5X5X30	1,00			--
0012	ALTR00011		SHAFT PER VOLANTE TK1000	1,00			--
0013	CUVR00005		BEARING 6202 2RS	1,00			--
0014	VTAE17002		CIRCLIP D. 35 UNI 7437	1,00			--
0015	VTVR46987		ELASTIC PLUG DIN 1481 5X25	1,00		01/05/2017	--
0015	VTVR00327		PLUG -	1,00	02/05/2017		--
0016	PMTR00021		SHAFT STERZO 1000 T.NUOVO COMPL	1,00			--
0017	PMTR00021		SHAFT STERZO 1000 T.NUOVO COMPL	1,00			--
0018	VTVR46987		ELASTIC PLUG DIN 1481 5X25	1,00		01/05/2017	--
0018	VTVR00327		PLUG -	1,00	02/05/2017		--
0019	VTVT00014		SCREW TE UNI 5739 8X20 CL.10.9	3,00			--
0020	LAFN47004		WASHER BLOCCA RAL	1,00			--
0021	CUVR75816		BEARING 51112	1,00			--
0022	PMTR00021		SHAFT STERZO 1000 T.NUOVO COMPL	1,00			--
0024	VTVR46987		ELASTIC PLUG DIN 1481 5X25	1,00		01/05/2017	--
0024	VTVR00327		PLUG -	1,00	02/05/2017		--
0025	VTRS00506		WASHER D.12 UNI 6592	1,00			--
0026	VTAE14016		SEEGER ESTERNO DIN 471 D.12	1,00			--
0027	LAFN75973		PIN FISSAG.CAVI FERMA FLAP	1,00			--
0028	VTDD00482		NUT M 6 ZIN UNI 5588	2,00			--
0029	VTRS04026		WASHER D. 6X18X2.38	2,00			--
0030	CMCV02396		REGISTER CH. 8X 6MAX30	1,00			--
0031	CMCV00468		CABLE 1250-1280 E-DP	1,00			--
0032	CMCV00467		SHEATH 1250-1280 E-DP	1,00			--
0040	MLML00033		SPRING ALZAFLAP SILVER ZB	1,00			--
0042	VTVT00456		SCREW TE UNI 5739 10X25 ZB	6,00			--
0043	LAFN85521		FLANGE FISSAG.RUOTA ANT.TK1000zn	1,00			--
0044	VTVR75747		RING NUT AUTOBLOK M35X1,5 GUK	1,00			--
0045	LAFN75913		SPACER BOCCOLA ECCENTRICA TK1000	1,00			--
0047	CUVR75816		BEARING 51112	1,00			--
0048	MTCR85008		CHAIN SWEEP 1000 ET	1,00			--
0051	KTRI46514		ECCENTRIC BUSH. TK1000 COMPLETA	1,00			--
0052	LAFN08185		BRAKE -	1,00			--
0053	MOCC00434		MOTORWHEEL WITH BRAKE 1250	1,00			--
0054	VTRS00107		WASHER M10 Grower	4,00			--



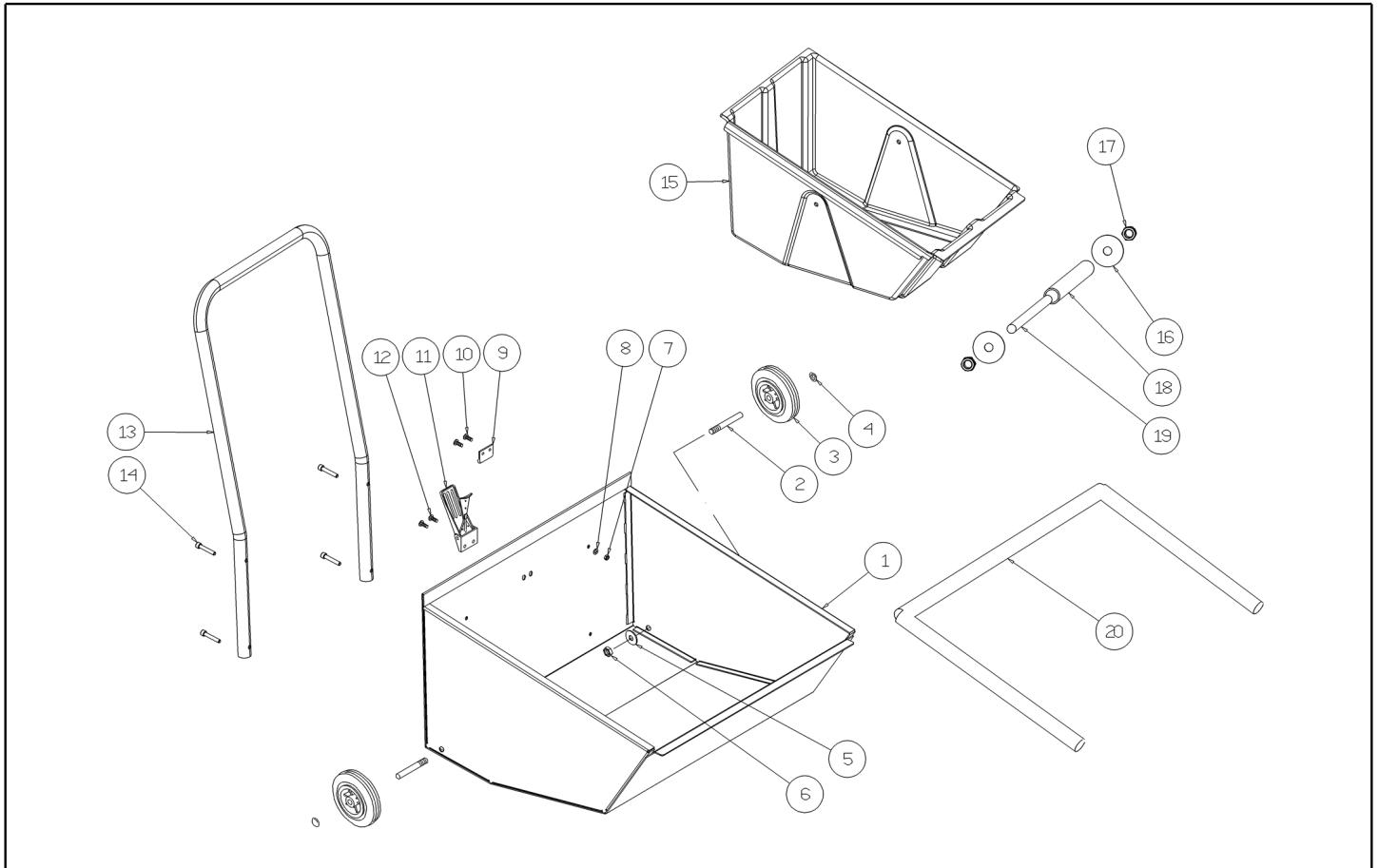
Ref. K	Part n.	Part n. 2	Description	Quantity	Validity		Price
					From	To	
0055	VTVT00456		SCREW TE UNI 5739 10X25 ZB	4,00			--
0056	RTRT00548		WHEEL FRONT 1250-1280 E-DP	1,00			--
0057	VTRS15919		WASHER D.12 GROVER UNI 1751 INX	4,00			--
0058	VTVT00025		SCREW TE UNI 5739 12X16 ZB	4,00			--
0059	CUVR00008		BEARING 6003 2RS	2,00		24/07/2016	--
0059	CUVR00104		BEARING SKF 6003- 2RSH	2,00	25/07/2016		--
0060	VTDD00124		NUT M8 DIN985	10,00			--
0061	LAFN85380		HUB RUOTA POST.D124 H.33.5	2,00			--
0062	KTRI75744		REAR WHEELS TIRE 1000-1250-1280	2,00			--
0063	CUVR00008		BEARING 6003 2RS	2,00		24/07/2016	--
0063	CUVR00104		BEARING SKF 6003- 2RSH	2,00	25/07/2016		--
0064	LAFN85290		HUB ruota 124x57,5	2,00			--
0065	VTVT00066		SCREW TCCE UNI 5931 8X25 ZB	10,00			--
0066	VTRS00512		WASHER D. 8 X24 ZC.	2,00			--
0067	VTVT01110		SCREW TE 8X16 UNI5739	2,00			--
0068	LAFN00275		SPACER INTERNO RUOTA POST.TK1300	2,00			--
0069	VTRS01080		WASHER D. 8 GRW	2,00			--
0070	MPVR47066		PROTECTOR X ALBERO SPAZZOLA TK1000	1,00			--
0071	VTVT62920		SCREW TE FR 6X16 ZB ZIGRINATE	1,00			--
0072	FSVR00005		CLAMP D.10 F.8,5 Inox430	1,00			--
0073	FSVR00043		CLAMP D.16 F.8,5 Inox430	1,00			--
0074	VTVT62920		SCREW TE FR 6X16 ZB ZIGRINATE	1,00			--
0075	PMVR02380		WHEEL REAR COMPLETE 1250-1280	1,00			--



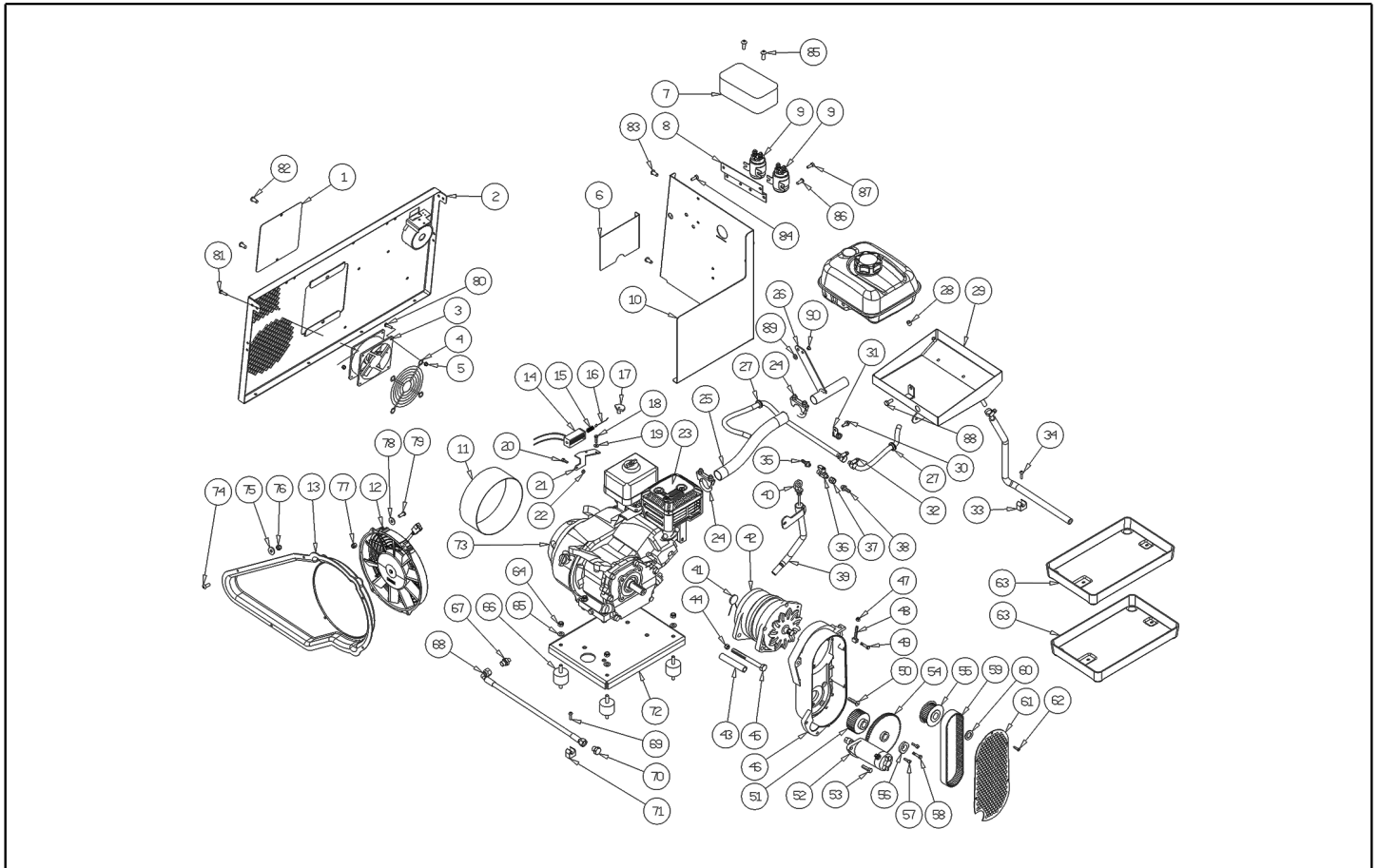
Ref. K	Part n.	Part n. 2	Description	Quantity	Validity		Price
					From	To	
0001	MPVR86607		KIT GASKET MOUSSE CHIUS.CONT.FILTRO	1,00			--
0002	LAFN36059		CONTAINER FILTER PANEL	1,00			--
0003	VTVT75726		SCREW TBCE ISO 7380 6X16 ZB	4,00			--
0004	VTRS04026		WASHER D. 6X18X2.38	4,00			--
0005	VTRS04026		WASHER D. 6X18X2.38	6,00			--
0006	LAFN01014		FRAME PORTA FILTRO TK1000 VIBR.	1,00			--
0007	MPVR86606		GASKET MOUSSE FILTRO TK1000	1,00			--
0008	FTDP76067		FILTER PANEL SW1000 PAPER	1,00			--
0009	VTVT47143		SCREW TSCE UNI 5933 10X16 ZB	1,00			--
0010	LAFN00720		MOTOR SUPPORT S/FILTRO TK1000 NUOVO VER	1,00			--
0011	VTDD00057		NUT UNI 5589 M8 BASSO ZB	2,00			--
0012	PMVR00215		HANDLE BLOCCAGGIO FILTR.1000E-S	2,00			--
0013	MOCC45112		MOTOR FILTER SHAKER 24V	1,00			--
0014	VTVT47138		SCREW AUTOF.TSP UNI 6955 3,9X32	4,00			--
0015	LAFN47139		COVER PROTEZIONE MASSE SCUOTIF.	2,00			--
0016	LAFN47140		BUSHING CONTRAPPESO PER SCUOTIFIL	2,00			--
0017	VTVT75731		GRUB SCREW UNI 5923 6X5	2,00			--
0018	VTVT00474		SCREW TSCE uni 5933 4x12 ZB	6,00			--
0019	MFVR47141		FLANGE X MOTORE SCUOTIFILTRO	2,00			--
0020	MOCC00004		MOTOR D.63 24V G3800 W35	1,00			--
0021	MPVR45096		PEDAL COVER GRANDE V1021	1,00			--
0022	LAFN76008		PEDAL ALZAFLAP TK1000 ZINCATO	1,00			--
0023	VTVR00028		CLAMP PER CASSETTO G1300	1,00			--
0024	VTRS00506		WASHER D.12 UNI 6592	1,00			--
0025	VTAE14016		SEEGER ESTERNO DIN 471 D.12	1,00			--
0026	LAFN75973		PIN FISSAG.CAVI FERMA FLAP	1,00			--
0027	VTDD01682		NUT M12 ZC UNI 5588	1,00			--
0028	VTRS00505		WASHER D.10 UNI 6592	1,00			--
0029	LAFN75975		PIN CENTRAG.FILO PEDALE FRENO	1,00			--
0030	CMCV75723		REGISTER D.7	1,00			--
0031	CMCV75905		SHEATH X CABLE	1,00			--
0032	LAFN75976		PIN GUIDA MOLLA ALZAFLAP 1000	1,00			--
0033	VTRS00506		WASHER D.12 UNI 6592	1,00			--
0034	VTDD00012		NUT AUTOBLOK DIN 985 M12 ZB	1,00			--
0035	MLML75962		SPRING ALZAFLAP D.11,5X1,5 ZB	1,00			--
0036	CMCV45110		CORD D. 2.5 FLAP L.14	1,00			--
0037	VTDD00482		NUT M 6 ZIN UNI 5588	1,00			--
0038	CMCV75717		CLIP UNI 1676 M6x12	1,00			--
0039	MPVR75936		FLAP LH-RH SIDES TK1000	1,00			--
0040	LAFN00305		CLAMP FLAP DX/SX TK1000 NERO	1,00			--
0041	VTVT75721		SCREW TTDE UNI 5732 6X16 ZB	8,00			--
0042	MPVR75935		FLAP FRONT TK1000 MODELS	1,00			--
0043	LAFN86529		CLAMP FLAP ANT/POST TK1000 NERO	1,00			--
0044	VTRS00503		WASHER D. 6 UNI 6592	8,00			--



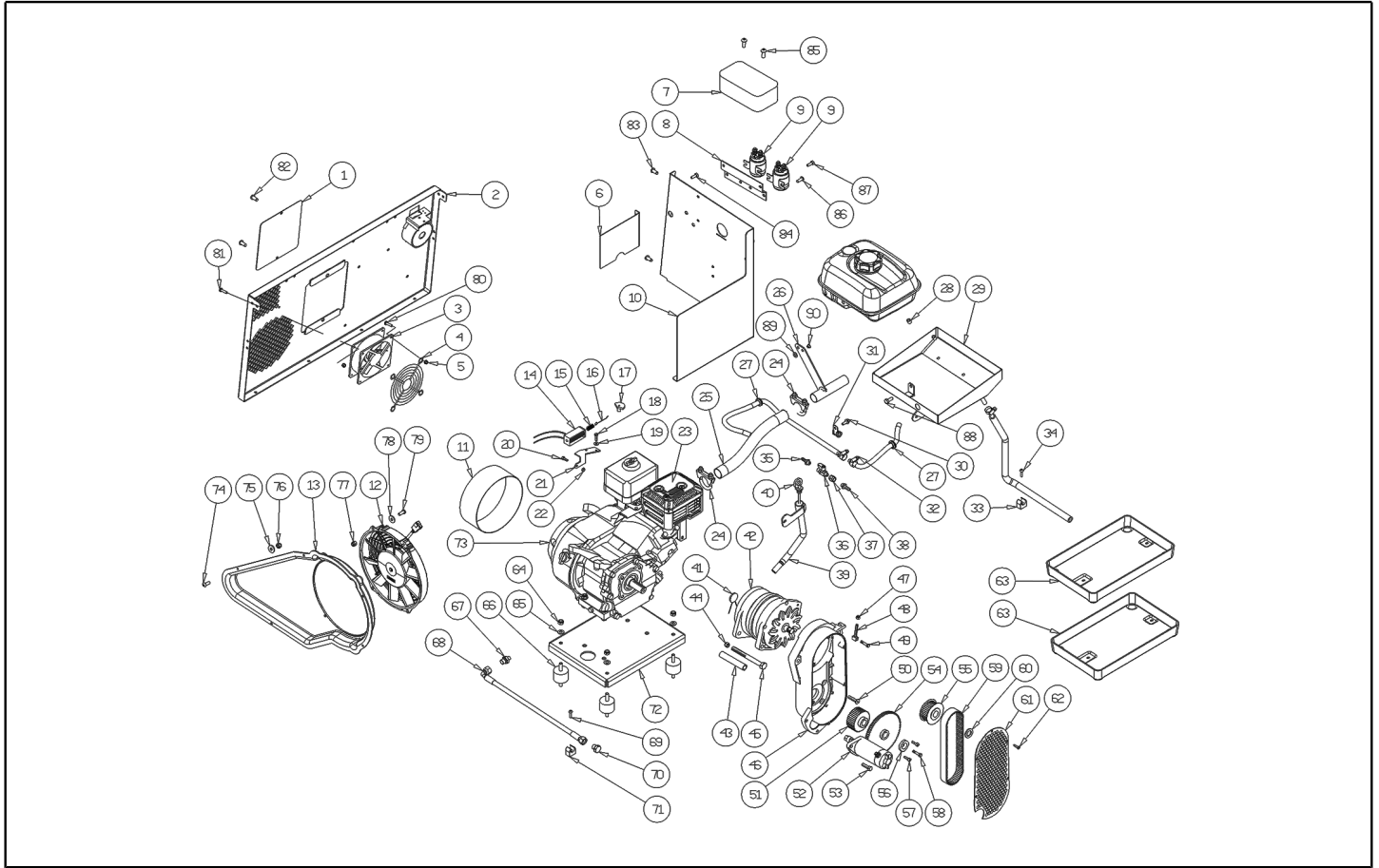
Ref. K	Part n.	Part n. 2	Description	Quantity	Validity		Price
					From	To	
0045	VTDD00491		NUT M 6 TEF	8,00			--
0046	VTVT75721		SCREW TTDE UNI 5732 6X16 ZB	4,00			--
0047	MPVR75936		FLAP LH-RH SIDES TK1000	1,00			--
0048	LAFN00305		CLAMP FLAP DX/SX TK1000 NERO	1,00			--
0049	VTRS00503		WASHER D. 6 UNI 6592	4,00			--
0050	VTDD00491		NUT M 6 TEF	4,00			--
0051	VTVT75721		SCREW TTDE UNI 5732 6X16 ZB	5,00			--
0052	MPVR75934		FLAP REAR TK1000	1,00			--
0053	LAFN86529		CLAMP FLAP ANT/POST TK1000 NERO	1,00			--
0054	VTRS00503		WASHER D. 6 UNI 6592	5,00			--
0055	VTDD00491		NUT M 6 TEF	5,00			--
0056	LAFN08170		ADAPTER TK1000	1,00			--
0057	LAFN06757		SPACER 1450	4,00			--
0058	VTRS04026		WASHER D. 6X18X2.38	4,00			--
0059	VTDD00491		NUT M 6 TEF	4,00			--
0060	VTVT00444		SCREW TE 6X20 UNI5739	3,00			--
0061	VEVR00070		IMPELLER SUCTION MOTOR 1250-1450	1,00			--
0062	VTRS00503		WASHER D. 6 UNI 6592	3,00			--
0063	VTDD00482		NUT M 6 ZIN UNI 5588	3,00			--
0064	LAFN06854		SHEET METAL PA. 1450	1,00			--
0065	VTRS04026		WASHER D. 6X18X2.38	4,00			--
0066	VTDD00491		NUT M 6 TEF	4,00			--
0067	VTRS00503		WASHER D. 6 UNI 6592	3,00			--
0068	VTDD00482		NUT M 6 ZIN UNI 5588	3,00			--
0069	VTVT62920		SCREW TE FR 6X16 ZB ZIGRINATE	4,00			--
0070	VTVT01699		STUD BOLT M6X20	6,00		06/11/2018	--
0070	VTVT01716		STUD BOLT M6X20 UNI5909	6,00	07/11/2018		--
0071	VTDD00491		NUT M 6 TEF	6,00			--



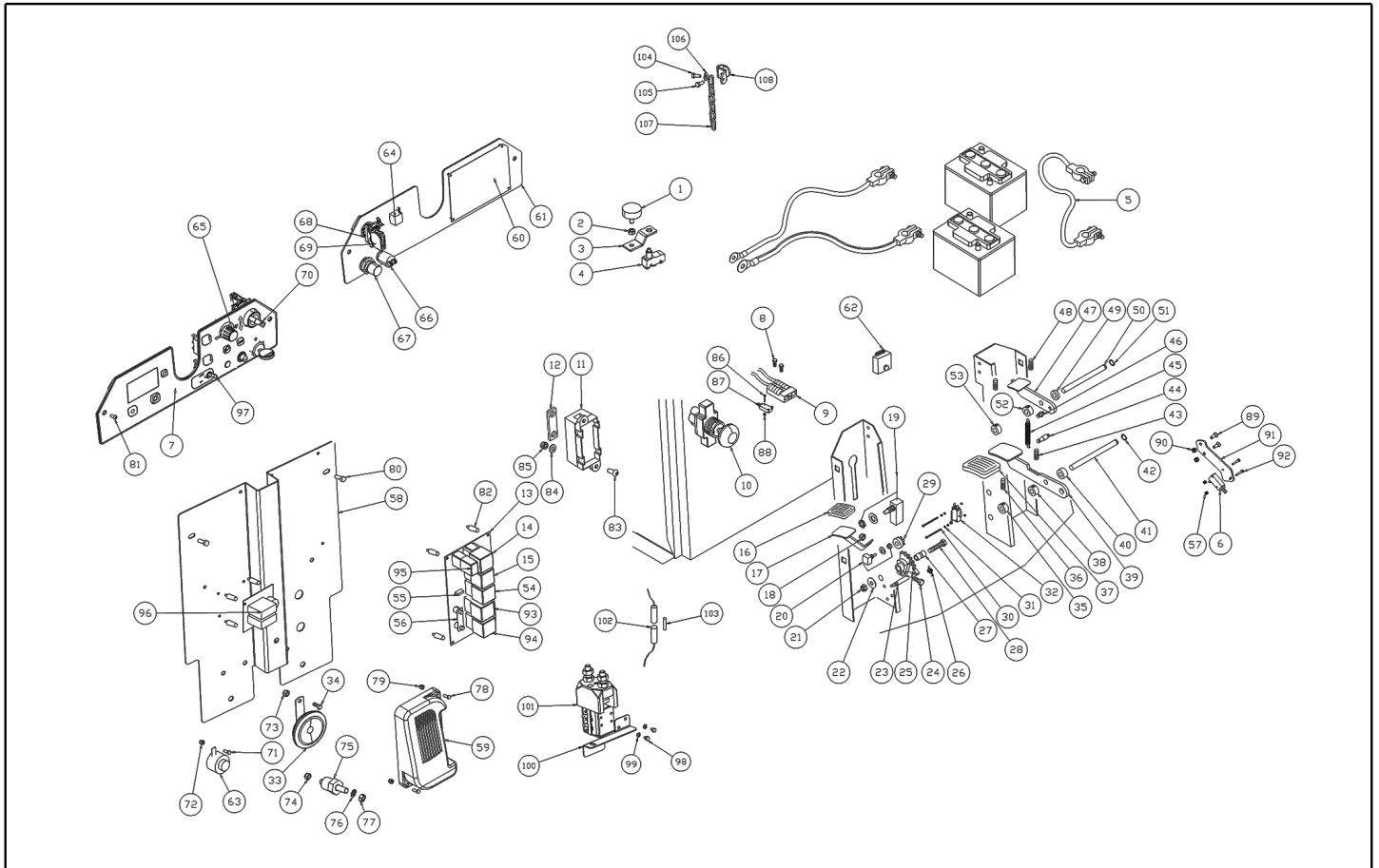
Ref. K	Part n.	Part n. 2	Description	Quantity	Validity		Price
					From	To	
0001	LAFN08175		DRAWER TK1000	1,00			--
0002	LAFN00433		WHEEL PIN D.15 L.70,5	2,00			--
0003	RTRT00013		WHEEL GOMMA D.125	2,00			--
0004	VTVR26502		WHEEL'S COVER D.15	2,00			--
0005	VTRS00505		WASHER D.10 UNI 6592	2,00			--
0006	VTDD00042		NUT AUT.M10 UNI7474	2,00			--
0007	VTDD00491		NUT M 6 TEF	4,00			--
0008	VTRS04026		WASHER D. 6X18X2.38	4,00			--
0009	CHVR76643		SUPP.HOLDER LOCK SW1000	1,00			--
0010	VTVT75726		SCREW TBCE ISO 7380 6X16 ZB	2,00			--
0011	CHVR76642		CLOSURE SW1000	1,00			--
0012	VTVT75726		SCREW TBCE ISO 7380 6X16 ZB	2,00			--
0013	LAFN08194		HANDLE -	1,00			--
0014	VTVT63029		SCREW TCCE UNI 5931 6X35 ZB	4,00			--
0015	MPVR06100		DRAWER REAR 1250	2,00			--
0016	VTRS00512		WASHER D. 8 X24 ZC.	4,00			--
0017	VTDD00057		NUT UNI 5589 M8 BASSO ZB	4,00			--
0018	FETU34817			0,34			--
0019	VTVR00308			0,64			--
0020	GUVR00010		GASKET	1,80			--



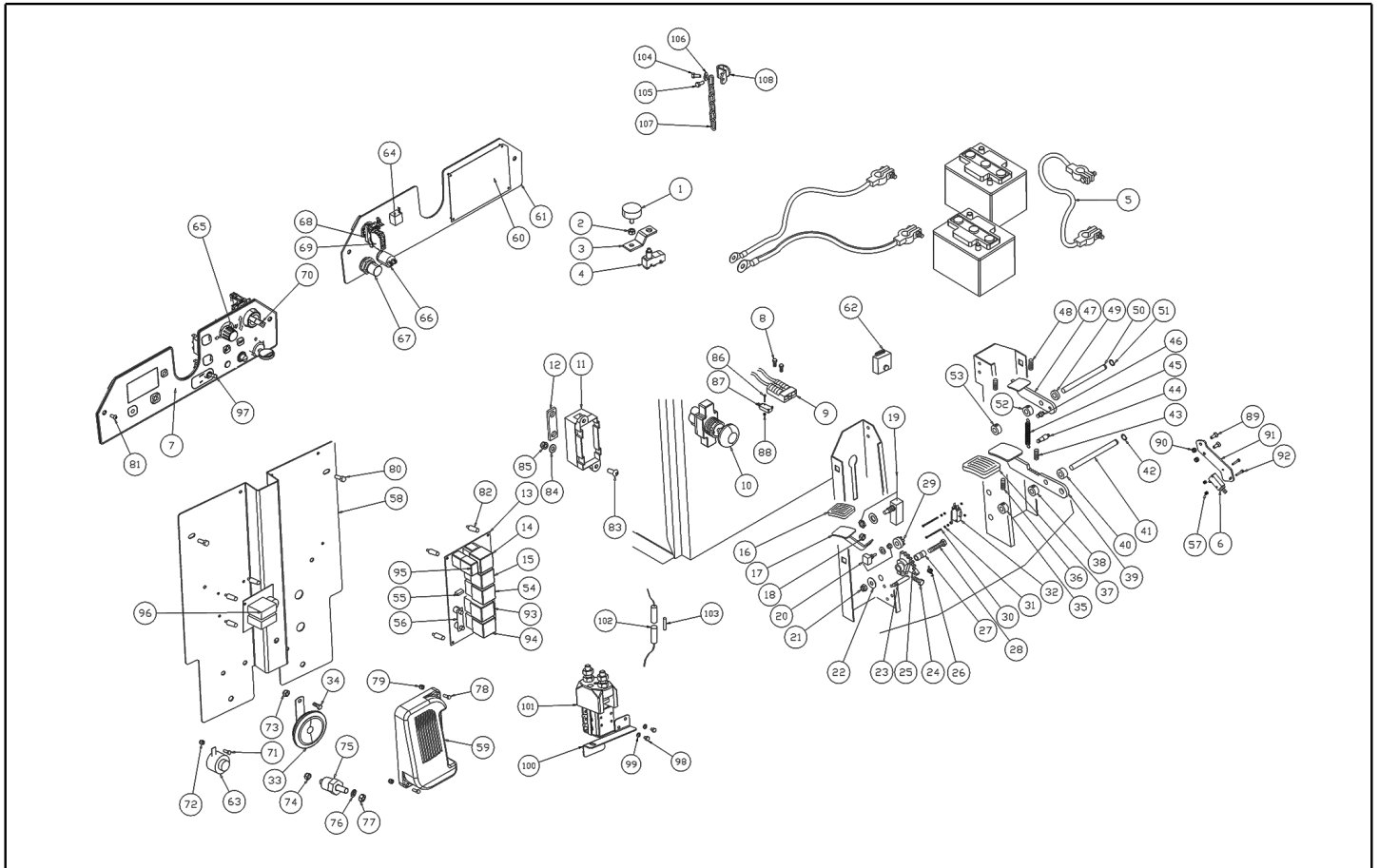
Ref. K	Part n.	Part n. 2	Description	Quantity	Validity		Price
					From	To	
0001	LAFN08122		BULKWARD -	1,00			--
0002	LAFN08179		PANEL -	1,00			--
0003	VEVR45113		IMPELLER 24V KDE 2412-PMS1 6A	1,00			--
0004	LAFN00009		BRACKET PROTEZIONE	1,00			--
0006	LAFN08125		BULKWARD -	1,00			--
0007	MPVR47166		CRANKCASE PROTEZIONE TELERUT.TK1400	1,00			--
0008	LAFN47167		BRACKET PORTA TELERUT.TK1400 ZINC	1,00			--
0009	METT45116		CONTACTOR T106P 24V 100%	2,00			--
0010	LAFN08123		SPACER -	1,00			--
0011	GUVR45977		GASKET CONV.ARIA 1400/1300/1400	1,00			--
0012	VEVR00078		IMPELLER -	1,00			--
0013	MPVR06411		CONVEYOR -	1,00			--
0014	MEVR02100		SOLENOID RS 349-715	1,00			--
0015	MLML00348		SPRING -	1,00			--
0016	MEVR45118		CONNECTING ROD X SOLENOIDE TK1400	1,00			--
0017	MEVR45117		ROKER SOLENOIDE ARIA MOTORE	1,00			--
0018	VTVT10068		SCREW TCTC UNI 7687 3X5 ZB	1,00			--
0019	VTRS27296		WASHER GROWER 3 ZNT	1,00			--
0020	VTVT00107		SCREW TCTC UNI 7687 3X12 ZB	1,00			--
0021	LAFN47155		BRACKET PORTA SOLENOIDE	1,00			--
0022	VTDD00001		NUT UNI 5588 M3 ZB	1,00			--
0023	MRSC00092		SILENCER -	1,00			--
0024	LAFN02858		CLAMP D.32	2,00			--
0025	TBFX00057		FLEXIBLE HOSE	0,38			--
0026	LAFN08128		HOSE -	1,00			--
0027	MEVR00686		FAIR-LEAD DIAMETER 15.5	2,00			--
0028	LAFN47095		SPACER D.6X10X8 ZINCATO	2,00			--
0029	LAFN08126		BRACKET -	1,00			--
0031	FSVR00005		CLAMP D.10 F.8,5 Inox430	2,00			--
0032	FSVR19692		CLAMP D. 11-16 VT	2,00			--
0033	FSVR00024		HOSE COLLAR	1,00			--
0035	RCVR00004		CONNECTOR PORTAGOMMA 1/8" D.7	1,00			--
0036	RCGR00008		VALVE SOLUTION M/F 1/8"	1,00			--
0037	RCVR00019		SLEEVE 1/8"	1,00			--
0038	RCVR00004		CONNECTOR PORTAGOMMA 1/8" D.7	1,00			--
0039	LAFN08129		HOSE -	1,00			--
0040	TBBP00383		ROD LIVELLO OLIO	1,00			--
0041	METK47170		PROBE F11-140° NC	1,00			--
0042	ARGN00004		ALTERNATOR 28V-80A	1,00			--
0043	LAFN47157		SPACER X ALTERNATORE X 1400 DP	1,00			--
0044	VTDD00042		NUT AUT.M10 UNI7474	1,00			--
0045	VTVT16260		SCREW TE UNI 5737 10X160 ZB	1,00			--
0046	MFVR47154		SUPPORT MOTORINO TK1400 DP	1,00			--
0047	VTDD00491		NUT M 6 TEF	1,00			--



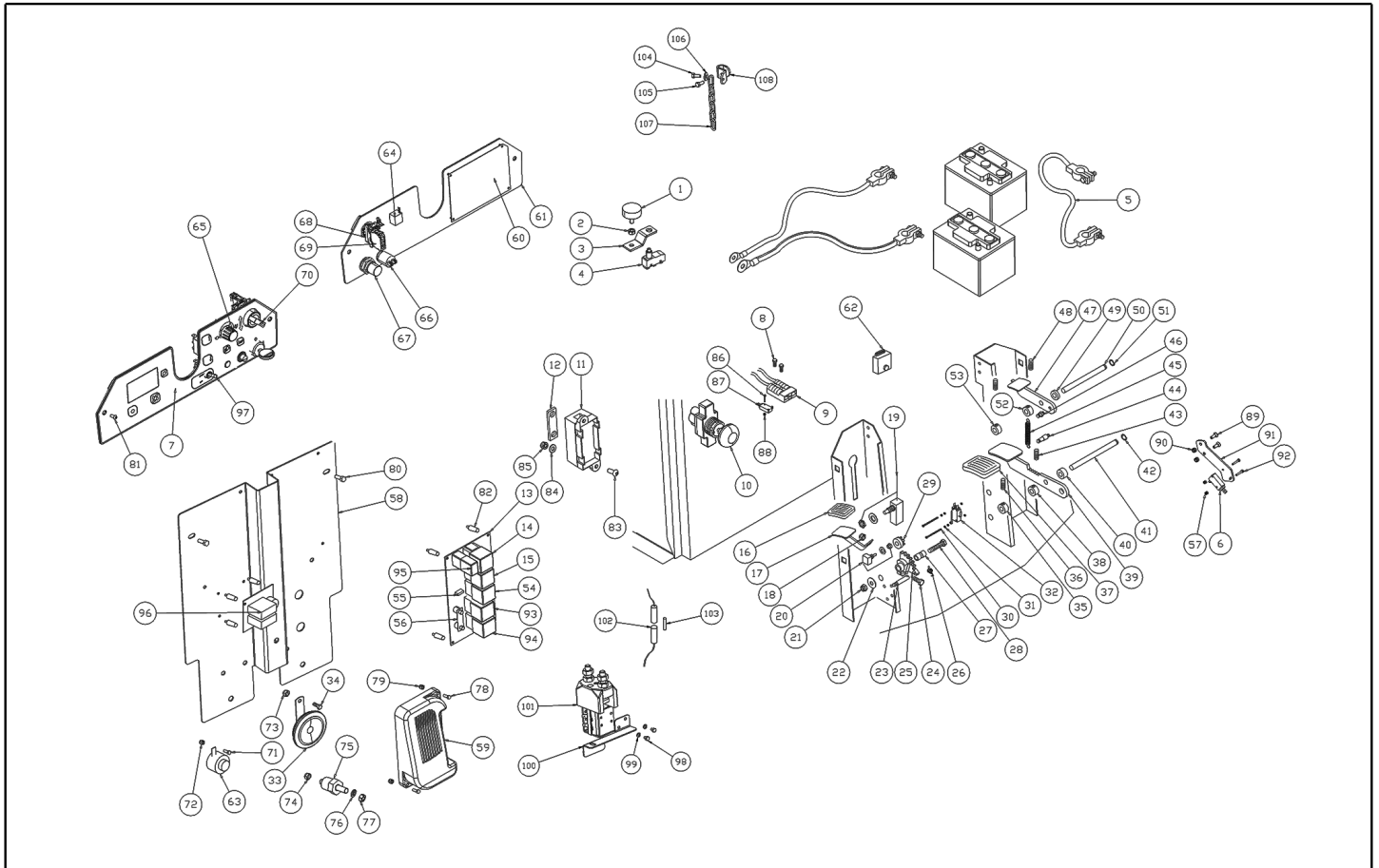
Ref. K	Part n.	Part n. 2	Description	Quantity	Validity		Price
					From	To	
0048	LAFN47168		BELT-STRETCHER ALTERNATORE TK1400	1,00			--
0049	VTVT28307		SCREW TCCE UNI 5931 10X70 ZN	1,00			--
0050	VTVT63134		SCREW M 8X25 TSPEI ZC UNI 5933	4,00			--
0051	MTPL45323		PULLEY MOT.HONDA 44-RPP5-25 1400	1,00			--
0052	MOCC45115		MOTOR 24V 300W SX	1,00			--
0053	VTVT01119		SCREW TCCE UNI 5931 8X30 ZB	1,00			--
0054	MTCR45720		TOOTHED WHEEL Z. 80 P 1.75	1,00			--
0055	MTPL45322		PULLEY ALTERN.40-RPP5-25	1,00			--
0056	LAFN06832		WASHER BLOCCA INGRANAGGIO	1,00			--
0057	VTVT00066		SCREW TCCE UNI 5931 8X25 ZB	2,00			--
0058	VTVT00448		SCREW TE 8X30 UNI5739	1,00			--
0059	MTCG44555		BELT DENTATA DAYCO/ISORAN	1,00			--
0060	LAFN00271		NUT FISSA PULEGGIA ALTERNA.	1,00			--
0061	LAFN47152		BRACKET PROTEZIONE	1,00			--
0062	VTVT00005		SCREW TE M 5X 12 F/ROND.ZIGR	5,00			--
0063	LAFN87156		CONTAINER BATTERY	2,00			--
0064	VTDD00124		NUT M8 DIN985	4,00			--
0065	VTRS00504		WASHER D. 8 ZC. UNI 6592	4,00			--
0066	ABGO00009		VIBRATION DAMP. MM 40X30 8MAX25	4,00			--
0067	RCDS47173		NIPPLE 1/4"-M10X1.25	1,00			--
0068	TBBP00514		TUBE -	1,00			--
0070	RCDS00002		CAP 1/4" X IMPIANTO IDRAULICO	1,00			--
0071	FSVR00024		HOSE COLLAR	1,00			--
0072	LAFN08184		PLATE -	1,00			--
0073	MOSC47149		MOTOR HONDA GX200-SX-4-OH	1,00			--
0074	VTVT75726		SCREW TBCE ISO 7380 6X16 ZB	5,00			--
0075	VTRS04026		WASHER D. 6X18X2.38	5,00			--
0076	VTDD00491		NUT M 6 TEF	5,00			--
0077	VTDD00491		NUT M 6 TEF	4,00			--
0078	VTRS00503		WASHER D. 6 UNI 6592	4,00			--
0079	VTVT75726		SCREW TBCE ISO 7380 6X16 ZB	4,00			--
0080	VTVT15924		SCREW M4X16 UNI7687	4,00			--
0081	VTVT15924		SCREW M4X16 UNI7687	4,00			--
0082	VTVT75726		SCREW TBCE ISO 7380 6X16 ZB	2,00			--
0083	VTVT75726		SCREW TBCE ISO 7380 6X16 ZB	2,00			--
0084	VTVT62920		SCREW ZB FR 6X16 ZB ZIGRINATE	2,00			--
0085	VTVT75725		SCREW TBCE ISO 7380 6X10 ZB	2,00			--
0086	VTVT75725		SCREW TBCE ISO 7380 6X10 ZB	2,00			--
0087	VTVT62920		SCREW TE FR 6X16 ZB ZIGRINATE	2,00			--
0088	VTVT00527		SCREW TE FR 6X10 ZB ZIG.	1,00			--
0089	VTRS00274		WASHER NYLON 66 D.8,4-17-2 UNI	2,00	17/12/2015		--
0090	LAFN09413		BUSHING -	2,00	17/12/2015		--



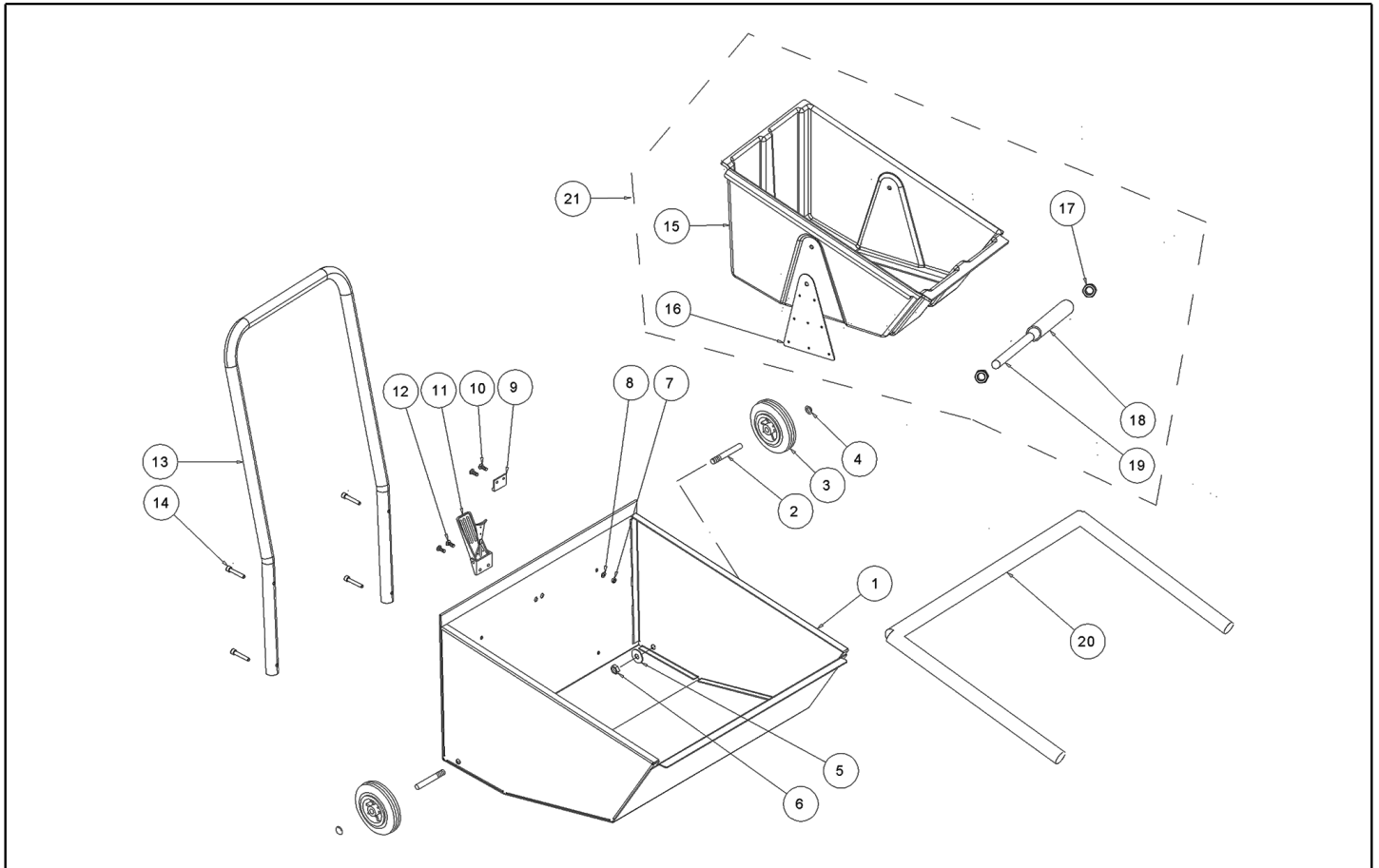
Ref. K	Part n.	Part n. 2	Description	Quantity	Validity		Price
					From	To	
0001	ABGO00026		VIBRATION DAMP.	2,00			--
0002	VTDD10776		NUT M 8 X1 UNI 5588	4,00			--
0003	LAFN07862		BRACKET -	1,00			--
0004	MECI75801		MICROSWITCH A PISTONE (MS/10-Z15GC)	1,00			--
0005	MEVR34820		WIRING BATTERY BRIDGE W/TERMINAL	3,00			--
0006	MECI00114		MICROSWITCH	1,00			--
0007	ETET01798		LABEL -	1,00			--
0008	VTVT19236		SCREW TCCE UNI 5931 5X20 ZB	2,00		27/02/2019	--
0008	VTVT00339		SCREW TCEI M5x20	2,00	28/02/2019		--
0009	MEVR01079		PLUG M CB50 A 600V RD.	1,00			--
0010	MECI00571		BUTTON EMERGENCY BL.SB 1250	1,00			--
0011	MEVR00146		FUSE-HOLDER MEGA	1,00			--
0012	MEVR00145		FUSE 100A	1,00			--
0013	MECE00592		BOARD POWER SERVICE 1250-1280	1,00			--
0014	MECE00201		RELAIS 24V 10-20 A	1,00			--
0015	MECE00201		RELAIS 24V 10-20 A	1,00			--
0016	MPVR85654		PEDAL COVER PICCOLO V1020	1,00			--
0017	LAFN08220		PEDAL -	1,00			--
0018	VTDD00124		NUT M8 DIN985	1,00			--
0019	MECI75801		MICROSWITCH A PISTONE (MS/10-Z15GC)	2,00			--
0020	KTRI02289		KIT ACC. POTENZIOMET. 1250-80	1,00			--
0021	VTDD00124		NUT M8 DIN985	1,00			--
0022	VTRS00504		WASHER D. 8 ZC. UNI 6592	1,00			--
0023	LAFN75969		PIN SOSTEGNO CINGHI D.9 H.33	1,00			--
0024	VTVT01688		SCREW TBEI M 8X 30 ISO 7380 IX	1,00			--
0025	MTIG85317		GEAR ACCELERATORE TK1000	1,00			--
0026	MLML85997		SPRING A TORSIONE D.2 TK1000Egz	1,00			--
0027	LAFN47084		BUSHING ACCELERATORE TK 1000	1,00			--
0028	VTVT00017		SCREW TE UNI 5739 8X35 ZB	1,00			--
0029	MTIG85318		GEAR POTENZIOMETRO ACCCEL.1000E	1,00			--
0030	VTVT00021		SCREW TE UNI 5739 3X25 ZB	2,00			--
0031	VTDD00001		NUT UNI 5588 M3 ZB	4,00			--
0032	MECI30642		MICRO-SWITCH 11A 0.33HP	1,00			--
0033	MEVR33430		KLAXON K100/Y 1A 24V	1,00		11/10/2015	--
0033	MEVR02112		HORN 24V	1,00	12/10/2015		--
0034	VTVT00527		SCREW TE FR 6X10 ZB ZIG.	1,00			--
0035	LAFN47030		BUSHING FISS.PEDALE FRENO FORATA	1,00			--
0036	VTVT75731		GRUB SCREW UNI 5923 6X5	1,00			--
0037	MPVR45096		PEDAL COVER GRANDE V1021	1,00			--
0038	LAFN47030		BUSHING FISS.PEDALE FRENO FORATA	1,00			--
0039	LAFN09344		PEDAL -	1,00			--
0040	LAFN47019		BUSHING FISSAGGIO PEDALE FRENO	1,00			--
0041	LAFN47036		PIN FISS.PEDALE FRENO+ALZAFI.	1,00			--
0042	VTAE87276		SEEGER EXT. D10 DIN471	1,00			--



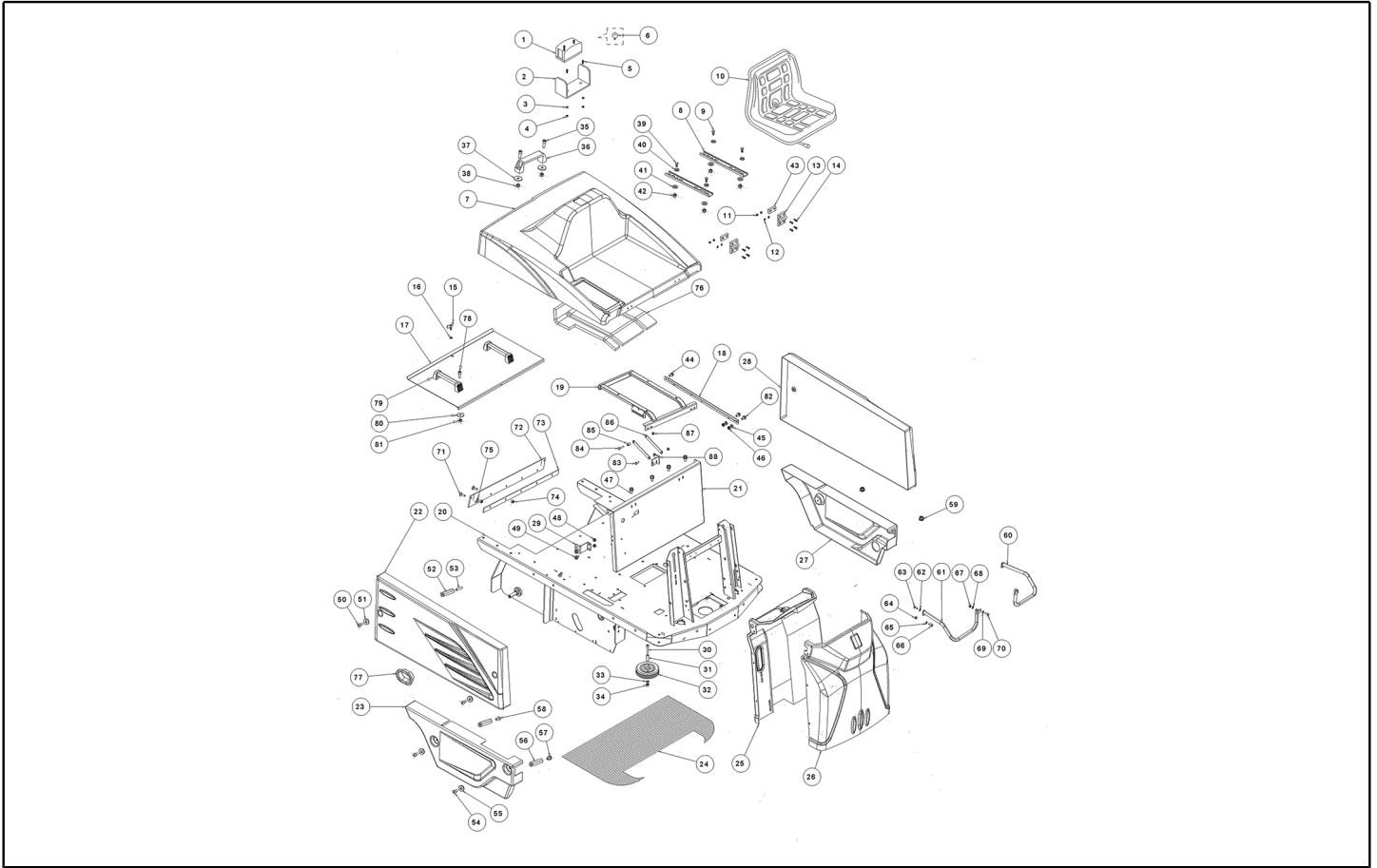
Ref. K	Part n.	Part n. 2	Description	Quantity	Validity		Price
					From	To	
0043	VTVT75731		GRUB SCREW UNI 5923 6X5	1,00			--
0044	LAFN47035		PIN CH.10 H.26 ATTACCO MOLLA	1,00			--
0045	MLML75960		SPRING TRAZIONE TK D.8X1X29 ZB	1,00			--
0046	LAFN47029		PIN CH.10 H.16 ATTACCO MOLLA	1,00			--
0047	LAFN47032		PEDAL BLOCCO FRENO TK1000 ZINC	1,00			--
0048	VTVT75731		GRUB SCREW UNI 5923 6X5	1,00			--
0049	LAFN47033		BUSHING FISSAGGIO PERNO PEDALI	1,00			--
0050	LAFN47031		PIN PEDALE BLOCCO FRENO 1000	1,00			--
0051	VTAE87276		SEEGER EXT. D10 DIN471	1,00			--
0052	LAFN47030		BUSHING FISS.PEDALE FRENO FORATA	1,00			--
0053	LAFN47030		BUSHING FISS.PEDALE FRENO FORATA	1,00			--
0054	MECE00201		RELAIS 24V 10-20 A	1,00			--
0055	MEVR01136		FUSE 30A	1,00			--
0056	MEVR02060		FUSE 40A	1,00			--
0057	VTDD21115		NUT M 3 INOX	2,00			--
0058	LAFN08202		PLATE -	1,00			--
0059	MECE00601		BOARD 1250-1280	1,00			--
0060	MECE00591		BOARD LOGIC 1250-1280	1,00			--
0061	LAFN08204		SUPPORT METAL DASHBOARD 1250	1,00			--
0062	MEVR02017		BEEPER FLASHER FOR BEACON 24V	1,00			--
0063	MECE00182		BUZZER	1,00			--
0064	KTRI05576		KIT POTENTIOMETER SPEED CONTR	1,00			--
0065	KTRI01935		KIT 1050-1202	1,00			--
0066	MEVR85330		BUTTON -	1,00			--
0067	MECI75805		SWITCH KEY FOR BATTERY MACHINES	1,00			--
0068	MECI00520		SMALL BASKET FIX TO FIX CONTACT	1,00			--
0069	MECI00518		CONTACT NC	1,00			--
0070	MECI00572		SELECTOR -	1,00			--
0071	VTVT00311		SCREW TE M4X12	1,00			--
0072	VTDD04368		NUT M 4 ZIN UNI 5588	1,00			--
0073	VTDD00491		NUT M 6 TEF	1,00			--
0074	VTDD00124		NUT M8 DIN985	2,00			--
0075	MEVR01116		SUPPORT FUSIBILE 120 A	2,00			--
0076	VTRS01080		WASHER D. 8 GRW	2,00			--
0077	VTDD00483		NUT M 8 ZIN UNI 5588	2,00			--
0078	VTVT01529		SCREW TE M4X20 ZINC. UNI 5739	2,00			--
0079	VTDD04369		NUT M 4 TEF UNI 7473	2,00			--
0080	VTVT00527		SCREW TE FR 6X10 ZB ZIG.	3,00			--
0081	VTVT00659		SCREW TC+ M. 4-15	8,00			--
0082	MEVR01708		COLUMN -	4,00			--
0083	VTVT75726		SCREW TBCE ISO 7380 6X16 ZB	2,00			--
0084	VTRS00503		WASHER D. 6 UNI 6592	2,00			--
0085	VTDD00491		NUT M 6 TEF	2,00			--
0086	VTVT01170		SCREW TC 2X16	2,00			--



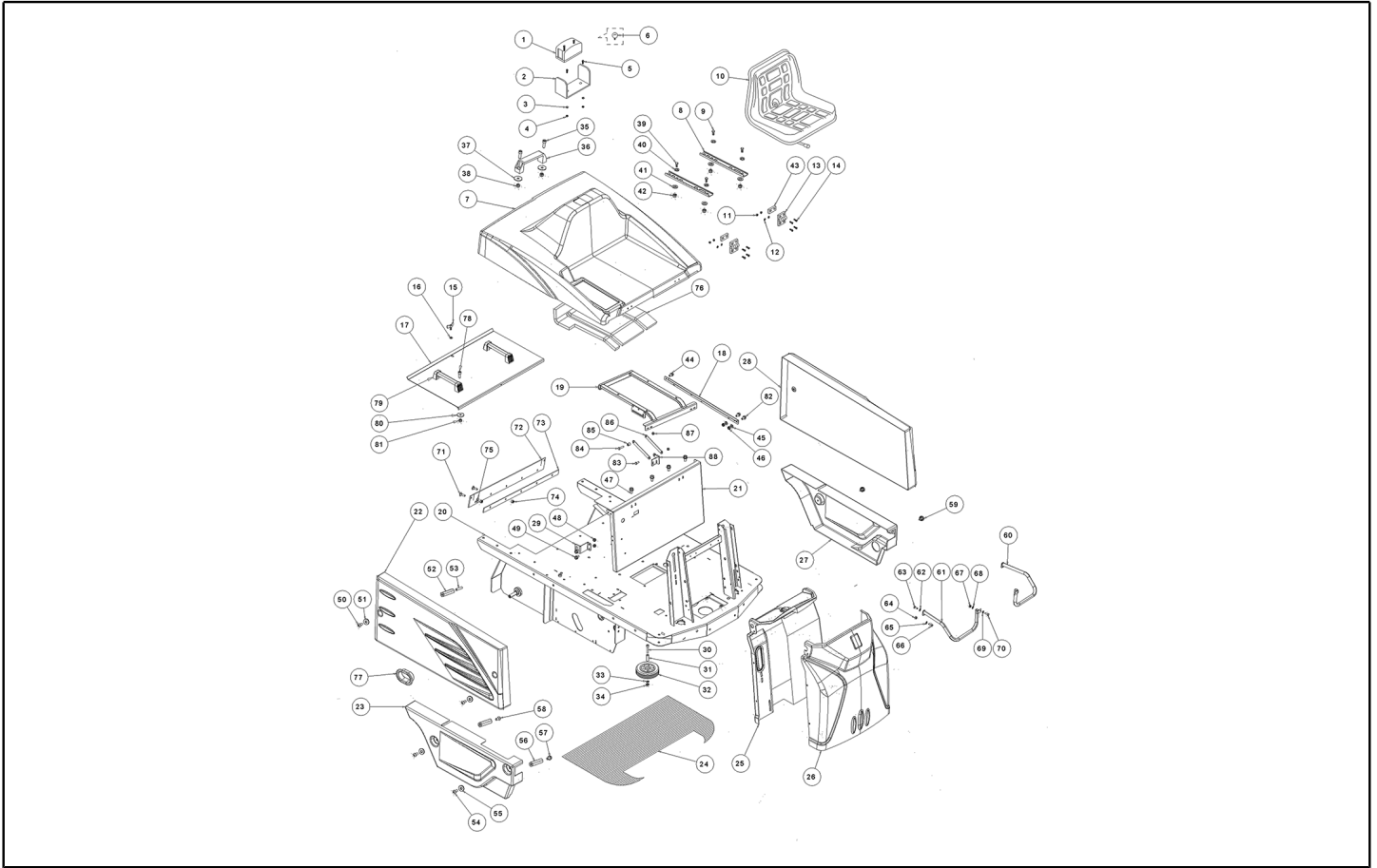
Ref. K	Part n.	Part n. 2	Description	Quantity	Validity		Price
					From	To	
0087	MERL00018		MICROSWITCH	1,00			--
0088	VTDD00213		NUT M2	2,00			--
0089	VTVT16939		SCREW M 4X 16 TSPEI UNI 5933	2,00			--
0090	VTDD04369		NUT M 4 TEF UNI 7473	2,00			--
0091	LAFN09383		BRACKET -	1,00			--
0092	VTVT01350		SCREW M3-20 INOX	2,00			--
0093	MERL00016		SWITCH RELAY 24V	1,00			--
0094	MERL00016		SWITCH RELAY 24V	1,00			--
0095	MECE00456		RELAY CT110	1,00			--
0096	MECE45124		PCB RELE TK1400	1,00			--
0097	MECI75945		COMMUTAT.SWITCH 3 POSIZ.FUNZ.MACCH.+CAPP	1,00			--
0098	VTVT01669		SCREW M4x6 UNI5739 znt cl.4.8	2,00	12/10/2015		--
0099	VTRS00501		WASHER D. 4 0.232 UNI 6592	2,00	12/10/2015		--
0100	LAFN09488		PLATE	1,00	12/10/2015		--
0101	MECI00532		CONTACTOR 24V-100A	1,00	12/10/2015		--
0102	MEVR00080		FUSE-HOLDER PV610 10A	1,00	12/10/2015		--
0103	MEVR00072		FUSE 2.5A F6.3X32-100/110V	1,00	12/10/2015		--
0104	VTVT34115		SCREW TE M 5X 10 UNI 5739	1,00	12/10/2015		--
0105	VTVT00005		SCREW TE M 5X 12 F/ROND.ZIGR	1,00	12/10/2015		--
0106	VTRS15958		WASHER UNI 6592 5X15X1,5 ZB	1,00	12/10/2015		--
0107	MTCR00029		SMALL CHAIN L.16mm (q.ty 1 = 1mt)	0,17	12/10/2015		--
0108	LAFN07380		BRACKET G1050	1,00	12/10/2015		--



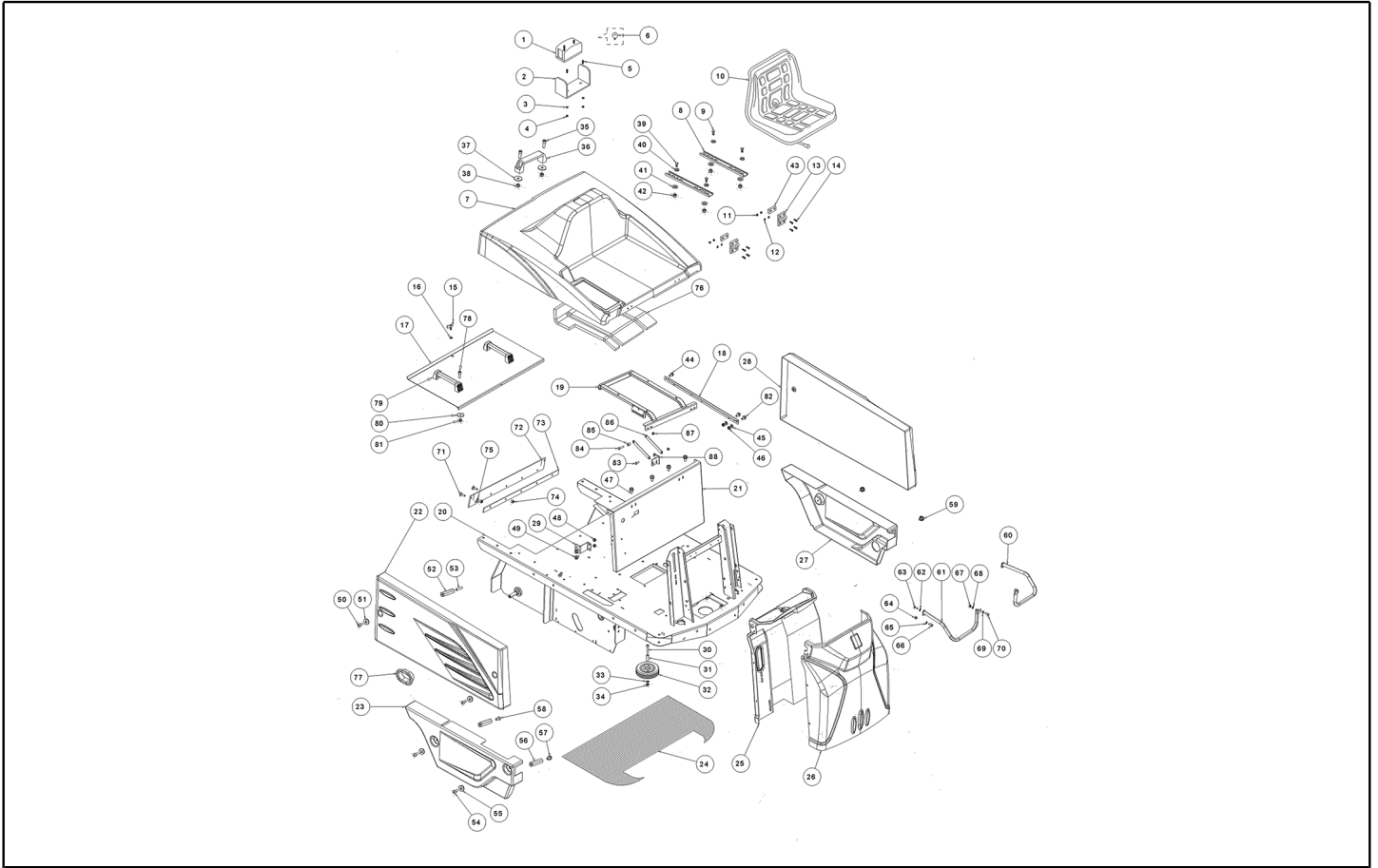
Ref. K	Part n.	Part n. 2	Description	Quantity	Validity		Price
					From	To	
0001	LAFN08175		DRAWER TK1000	1,00			--
0002	LAFN00433		WHEEL PIN D.15 L.70,5	2,00			--
0003	RTRT00013		WHEEL GOMMA D.125	2,00			--
0004	VTVR26502		WHEEL'S COVER D.15	2,00			--
0005	VTRS00505		WASHER D.10 UNI 6592	2,00			--
0006	VTDD00042		NUT AUT.M10 UNI7474	2,00			--
0007	VTDD00491		NUT M 6 TEF	4,00			--
0008	VTRS04026		WASHER D. 6X18X2.38	4,00			--
0009	CHVR76643		SUPP.HOLDER LOCK SW1000	1,00			--
0010	VTVT75726		SCREW TBCE ISO 7380 6X16 ZB	2,00			--
0011	CHVR76642		CLOSURE SW1000	1,00			--
0012	VTVT75726		SCREW TBCE ISO 7380 6X16 ZB	2,00			--
0013	LAFN08194		HANDLE -	1,00			--
0014	VTVT63029		SCREW TCCE UNI 5931 6X35 ZB	4,00			--
0015	MPVR06100		DRAWER REAR 1250	2,00			--
0016	LAFN08149		REINFORCEMENT -	8,00			--
0017	VTDD00057		NUT UNI 5589 M8 BASSO ZB	4,00			--
0018	LAFN11080		HANDLE -	2,00			--
0019	VTVR01068		THREADED BAR M8X135MM	2,00			--
0020	GUVR00625		GASKET L=1,8MT	1,00			--
0021	KTRI04765		KIT 1250 REAR DRAWER	1,00			--



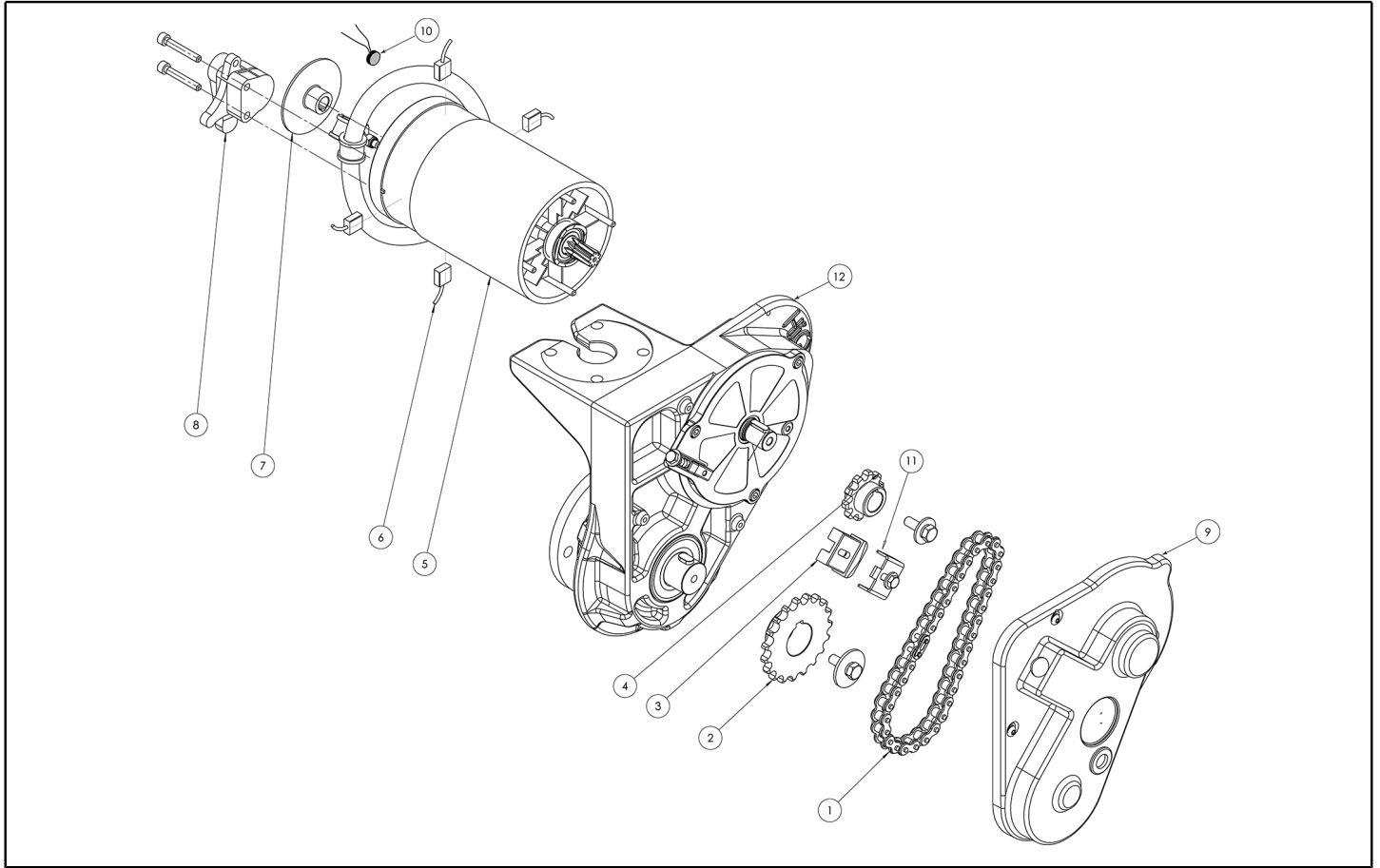
Ref. K	Part n.	Part n. 2	Description	Quantity	Validity		Price
					From	To	
0001	KTRI00103		LAMP FLASH 24V ORANGE	1,00			--
0002	KTRI00103		LAMP FLASH 24V ORANGE	1,00			--
0003	VTRS15958		WASHER UNI 6592 5X15X1,5 ZB	2,00			--
0004	VTDD08171		NUT M 5 TEF	2,00			--
0005	VTVT45339		SCREW TBCE ISO 7380 5X16 ZB	2,00			--
0006	MELF33431		LAMP 24V/21W	1,00			--
0007	MPVR06087		HOOD -	1,00			--
0008	SESD45981		SEAT SC73 01.01.M4 PER TK1400	1,00		27/09/2018	--
0008	SESD45982		SEAT SC 73 L.14 SENSOR REED	1,00	28/09/2018		--
0009	VTVT00017		SCREW TE UNI 5739 8X35 ZB	4,00			--
0010	SESD45981		SEAT SC73 01.01.M4 PER TK1400	1,00		27/09/2018	--
0010	SESD45982		SEAT SC 73 L.14 SENSOR REED	1,00	28/09/2018		--
0011	VTDD00491		NUT M 6 TEF	4,00			--
0012	VTRS00503		WASHER D. 6 UNI 6592	4,00			--
0013	CEVR85332		HINGE MEB F D.6 TK	2,00			--
0014	VTVT06237		SCREW TCCE UNI 5931 6X20 ZB	4,00			--
0015	VTVR00044		WING NUT D.30 M6X20	1,00			--
0016	VTRS63242		WASHER UNI 6593 6X24X2 ZB	1,00			--
0017	LAFN85308		COVER SCATOLA FILTRO TK1000 NER	1,00			--
0018	LAFN08190		SHEET METAL PA. -	1,00			--
0019	LAFN08178		SUPPORT -	1,00			--
0020	LAFN36061		FRAME 1250-1280	1,00			--
0021	LAFN08179		PANEL -	1,00			--
0022	MPVR07159		BODY SIDE DX	1,00			--
0023	MPVR06096		COVERING BOTTOM RH SIDE	1,00			--
0024	MPVR00738		PLANE MILLERIG.1000E CON BIADES	1,00			--
0025	MPVR06094		SIDE PANEL -	1,00			--
0026	MPVR06093		COVERING FRONT 1250-1280 GREEN	1,00			--
0027	MPVR06095		CRANKCASE -	1,00			--
0028	MPVR06125		CONVEYOR SX	1,00			--
0029	LAFN08210		BRACKET -	2,00			--
0030	VTVT28307		SCREW TCCE UNI 5931 10X70 ZN	2,00			--
0031	LAFN47011		BUSHING BU15X10X47 X RUOTA1250056	2,00			--
0032	RTRT00013		WHEEL GOMMA D.125	2,00			--
0033	VTRS00505		WASHER D.10 UNI 6592	2,00			--
0034	VTDD00042		NUT AUT.M10 UNI7474	2,00			--
0035	VTVT00066		SCREW TCCE UNI 5931 8X25 ZB	2,00			--
0036	MPVR00411		HANDLE TRG	1,00			--
0037	VTRS00513		WASHER UNI 6593 8X32X2,5 ZB	2,00			--
0038	VTDD00124		NUT M8 DIN985	2,00			--
0039	VTVT00017		SCREW TE UNI 5739 8X35 ZB	4,00			--
0040	VTRS00504		WASHER D. 8 ZC. UNI 6592	2,00			--
0041	VTRS00512		WASHER D. 8 X24 ZC.	4,00			--
0042	VTDD00124		NUT M8 DIN985	4,00			--



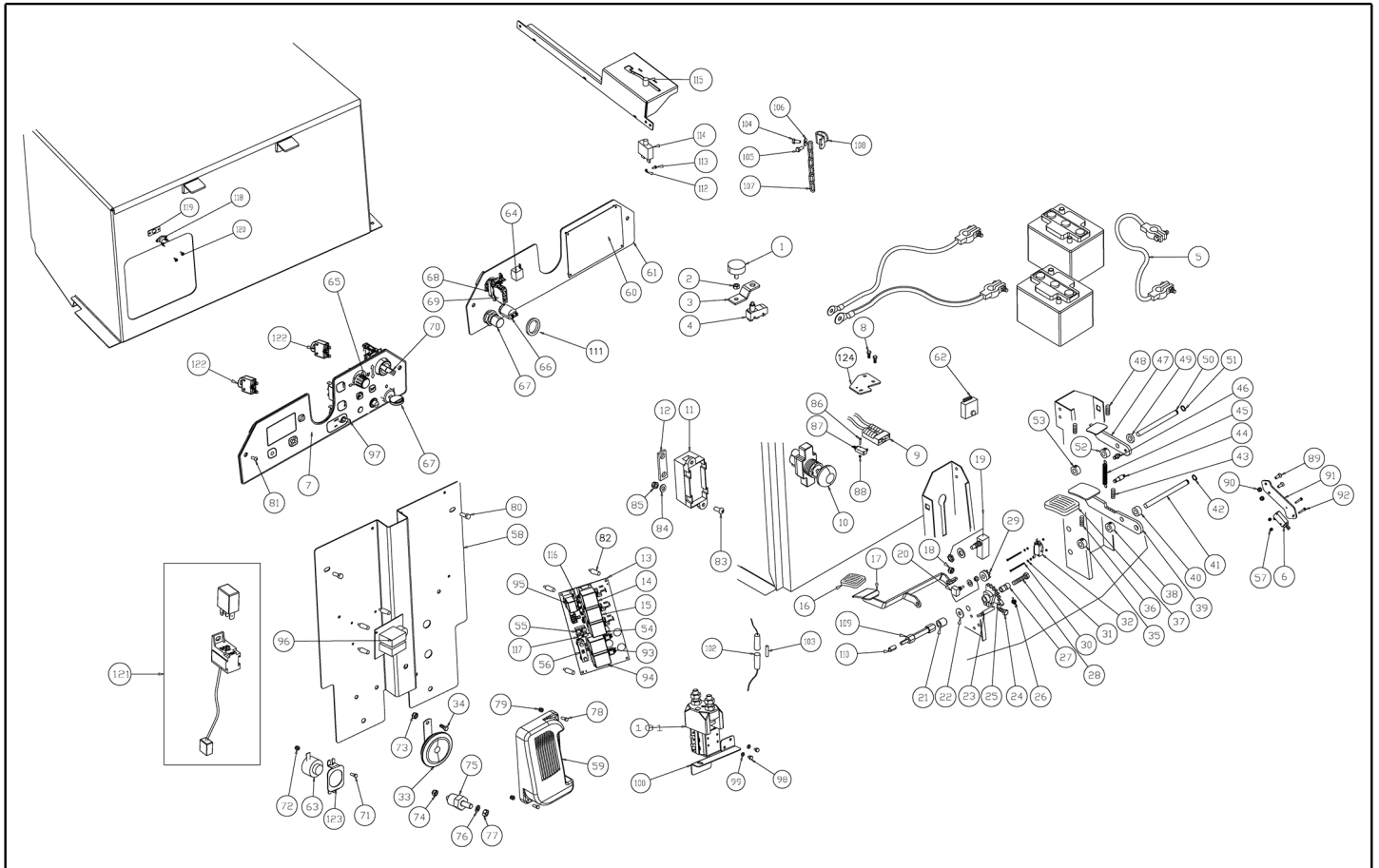
Ref. K	Part n.	Part n. 2	Description	Quantity	Validity		Price
					From	To	
0043	LAFN07909		BRACKET -	2,00			--
0044	VTVT62920		SCREW TE FR 6X16 ZB ZIGRINATE	1,00			--
0045	VTRS00503		WASHER D. 6 UNI 6592	2,00			--
0046	VTDD00491		NUT M 6 TEF	2,00			--
0047	VTVT62920		SCREW TE FR 6X16 ZB ZIGRINATE	4,00			--
0048	VTDD00491		NUT M 6 TEF	4,00			--
0049	VTVT62920		SCREW TE FR 6X16 ZB ZIGRINATE	4,00			--
0050	VTVT75726		SCREW TBCE ISO 7380 6X16 ZB	4,00			--
0051	VTRS04026		WASHER D. 6X18X2.38	4,00			--
0052	LAFN08211		SPACER -	4,00			--
0053	VTVT00900		GRUB SCREW M 6-30 CON ES	2,00			--
0054	VTVT75726		SCREW TBCE ISO 7380 6X16 ZB	2,00			--
0055	VTRS04026		WASHER D. 6X18X2.38	2,00			--
0056	LAFN08211		SPACER -	2,00			--
0057	VTVT00527		SCREW TE FR 6X10 ZB ZIG.	2,00			--
0058	VTVT13515		SCREW TSPEI M6x16 UNI5933 10.9	2,00			--
0059	RTRT00022		HANDWHEEL D.30 M6X15	2,00			--
0060	LAFN08200		BUMPER LH SIDE 1250	1,00			--
0061	LAFN08201		BUMPER RH SIDE 1250	1,00			--
0062	VTRS00504		WASHER D. 8 ZC. UNI 6592	2,00			--
0063	VTVT00446		SCREW TE UNI 5739 8X20 ACC.8.8	2,00			--
0064	VTDD00124		NUT M8 DIN985	2,00			--
0065	VTRS00504		WASHER D. 8 ZC. UNI 6592	2,00			--
0066	VTVT00446		SCREW TE UNI 5739 8X20 ACC.8.8	1,00			--
0067	VTDD00124		NUT M8 DIN985	2,00			--
0068	VTRS00504		WASHER D. 8 ZC. UNI 6592	2,00			--
0069	VTRS00504		WASHER D. 8 ZC. UNI 6592	2,00			--
0070	VTVT00446		SCREW TE UNI 5739 8X20 ACC.8.8	2,00			--
0071	VTVT75721		SCREW TTDE UNI 5732 6X16 ZB	7,00	14/10/2014		--
0072	MPVR06431		FLAP -	1,00	14/10/2014		--
0073	LAFN86529		CLAMP FLAP ANT/POST TK1000 NERO	1,00	14/10/2014		--
0074	VTDD00491		NUT M 6 TEF	7,00	14/10/2014		--
0075	VTRS04026		WASHER D. 6X18X2.38	2,00	14/10/2014		--
0076	ITSO00074		INSULATOR -	1,00			--
0077	MPVR04698		FRAME FORO	1,00			--
0078	VTVT00066		SCREW TCCE UNI 5931 8X25 ZB	4,00	20/03/2015		--
0079	MPVR00411		HANDLE TRG	2,00	20/03/2015		--
0080	VTRS00513		WASHER UNI 6593 8X32X2,5 ZB	4,00	20/03/2015		--
0081	VTDD00124		NUT M8 DIN985	4,00	20/03/2015		--
0082	VTVT00527		SCREW TE FR 6X10 ZB ZIG.	2,00			--
0083	VTVT00446		SCREW TE UNI 5739 8X20 ACC.8.8	1,00	18/02/2020		--
0084	VTVT00017		SCREW TE UNI 5739 8X35 ZB	1,00	18/02/2020		--
0085	LAFN04042		SPACER D8.5-15	1,00	18/02/2020		--
0086	LAFN11499		BRACKET HOOD 838R-858R	2,00	18/02/2020		--



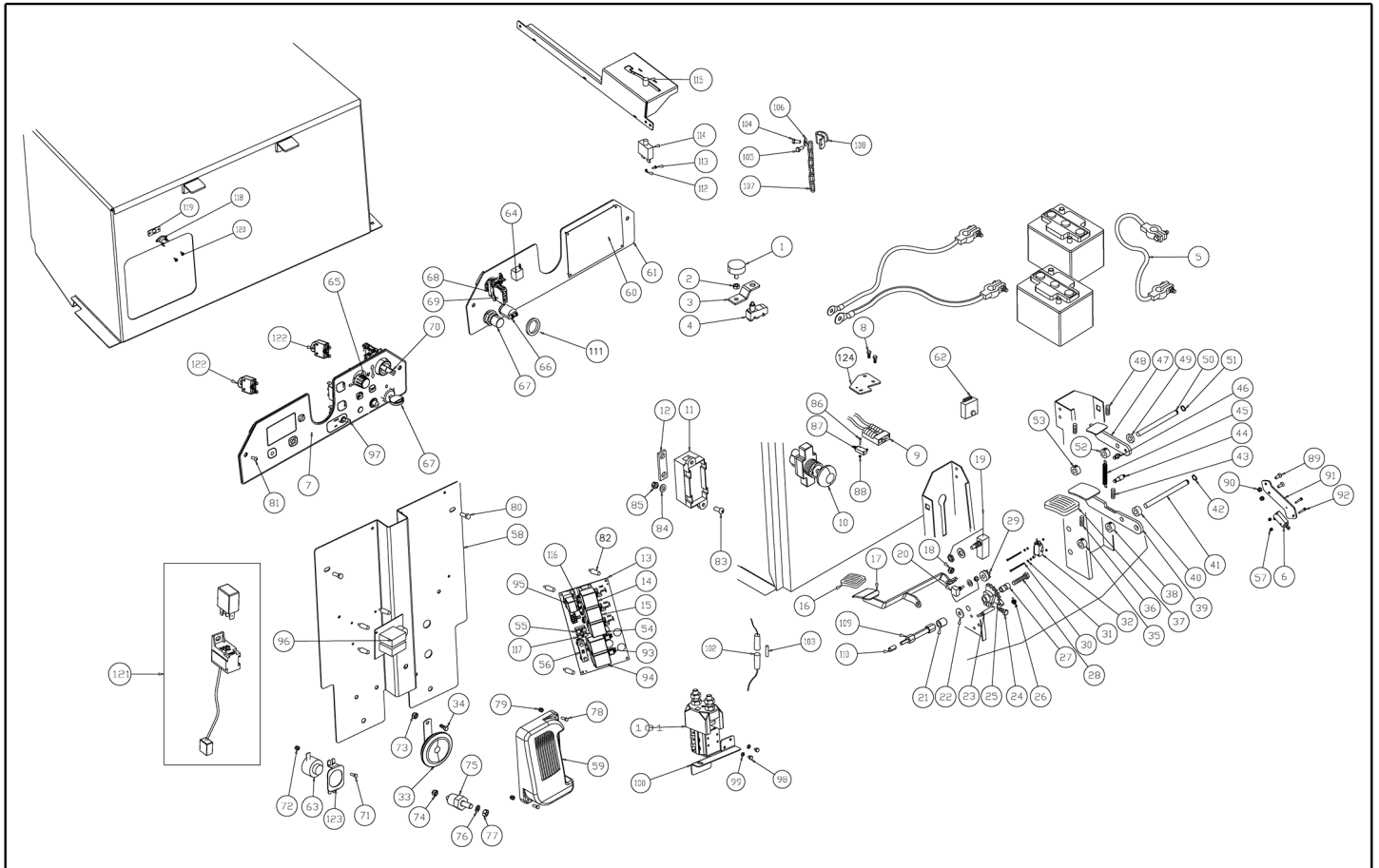
Ref. K	Part n.	Part n. 2	Description	Quantity	Validity		Price
					From	To	
0087	VTDD00124		NUT M8 DIN985	2,00	18/02/2020		--
0088	LAFN11498		BRACKET HOOD 838R-858R	1,00	18/02/2020		--



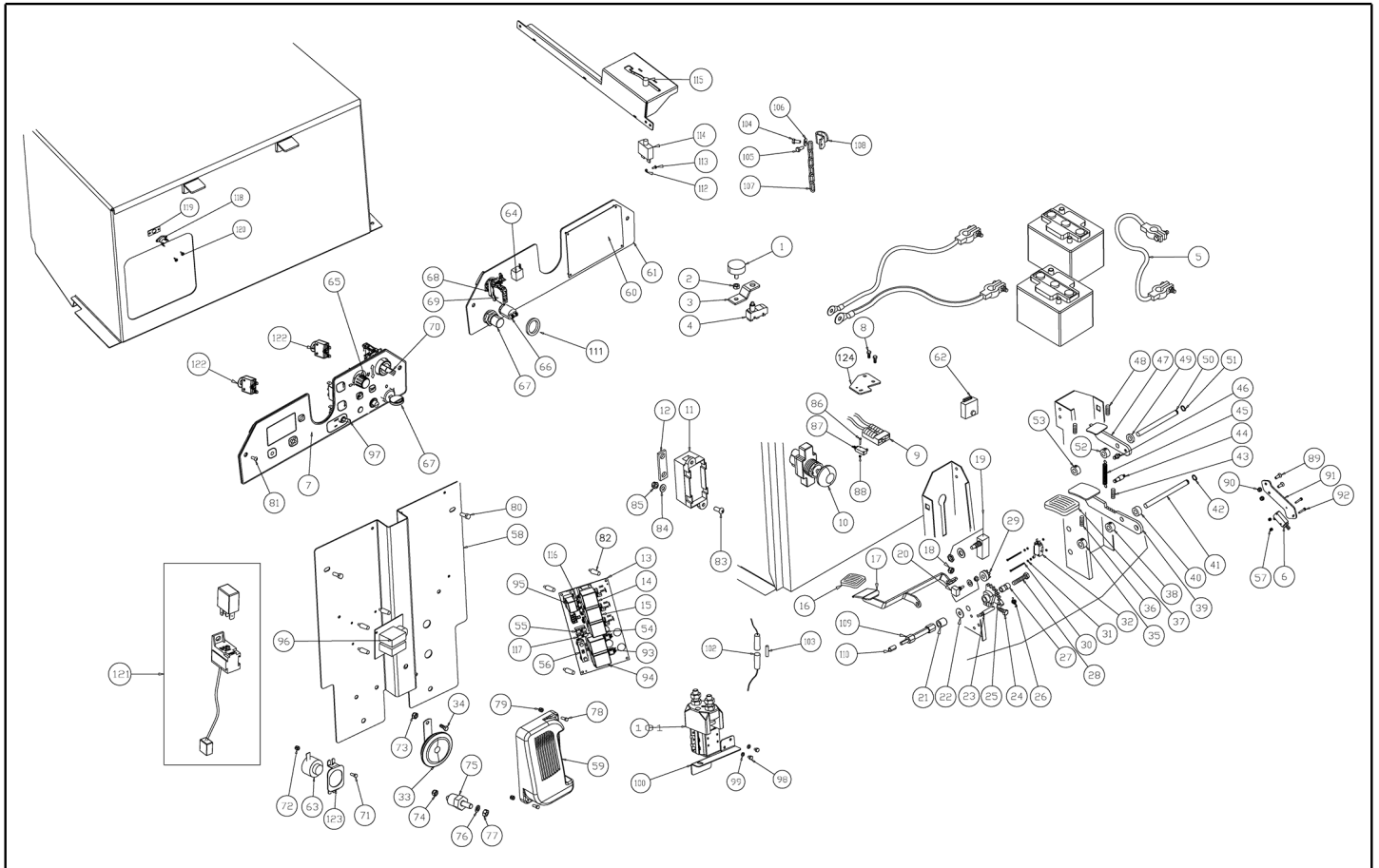
Ref. K	Part n.	Part n. 2	Description	Quantity	Validity		Price
					From	To	
0001	MTCR00104		CHAIN -	1,00			--
0002	MTIG00130		PINION 1/2"x5/16" Z19	1,00			--
0003	LAFN08226		CHAIN STRECHER -	1,00			--
0004	MTIG00129		PINION 1/2"x5/16" Z10	1,00			--
0005	MOCC00445		MOTOR 500W	1,00			--
0006	MEVR02107		KIT BRUSH	1,00			--
0007	LAFN08224		DISC -	1,00			--
0008	LAFN08225		PLIERS -	1,00			--
0009	MPVR11196		CRANKCASE MOTORWHEEL MOCC00434	1,00			--
0010	MEVR02827		THERMAL MOCC00445	1,00			--
0011	LAFN11825		CHAIN STRECHER -	1,00			--
0012	KTRI06555		KIT CM1	1,00			--



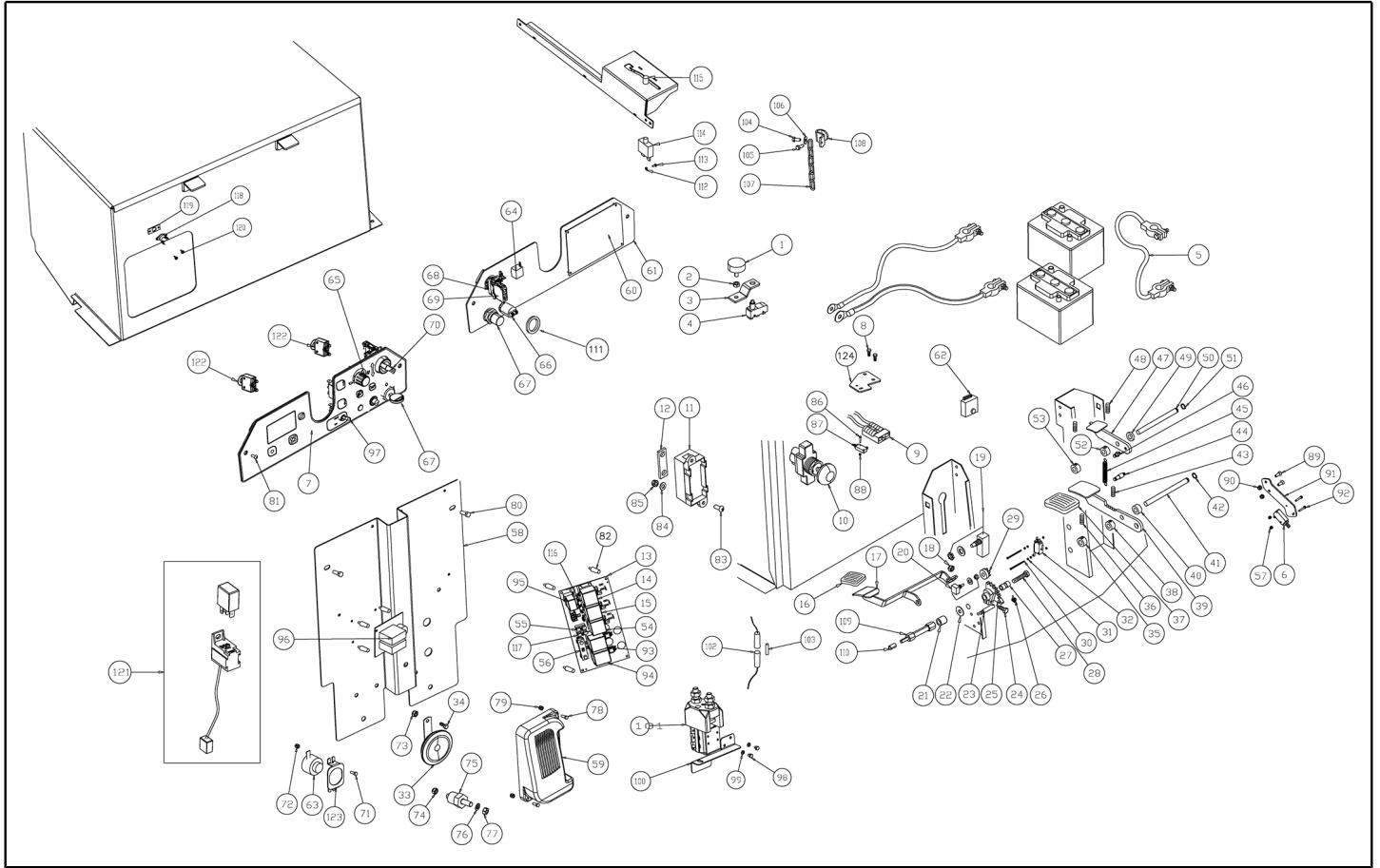
Ref. K	Part n.	Part n. 2	Description	Quantity	Validity		Price
					From	To	
0001	ABGO00026		VIBRATION DAMP.	2,00			--
0002	VTDD10776		NUT M 8 X1 UNI 5588	4,00			--
0003	LAFN07862		BRACKET -	1,00			--
0004	MECI75801		MICROSWITCH A PISTONE (MS/10-Z15GC)	1,00			--
0005	MEVR34820		WIRING BATTERY BRIDGE W/TERMINAL	3,00			--
0006	MECI00114		MICROSWITCH	1,00			--
0007	ETET01798		LABEL -	1,00		23/01/2020	--
0007	ETET16198		LABEL -	1,00	24/01/2020		--
0008	VTVT19236		SCREW TCCE UNI 5931 5X20 ZB	2,00		27/02/2019	--
0008	VTVT00339		SCREW TCEI M5x20	2,00	28/02/2019	26/09/2022	--
0008	VTVT67362		SCREW TE M 4X 25 ZC. U.5739	2,00	27/09/2022		--
0009	MEVR01079		PLUG M CB50 A 600V RD.	1,00		26/11/2019	--
0009	MEVR02595		CONNECTOR SB50 RED	1,00	27/11/2019		--
0010	MECI00571		BUTTON EMERGENCY BL.SB 1250	1,00			--
0011	MEVR00146		FUSE-HOLDER MEGA	1,00			--
0012	MEVR00145		FUSE 100A	1,00			--
0013	MECE00592		BOARD POWER SERVICE 1250-1280	1,00			--
0014	MECE00201		RELAIS 24V 10-20 A	1,00			--
0015	MECE00201		RELAIS 24V 10-20 A	1,00			--
0016	MPVR85654		PEDAL COVER PICCOLO V1020	1,00			--
0017	LAFN08165		PEDAL -	1,00			--
0018	VTDD00124		NUT M8 DIN985	1,00			--
0019	MECI75801		MICROSWITCH A PISTONE (MS/10-Z15GC)	2,00			--
0020	KTRI02289		KIT ACC. POTENTIOMET. 1250-80	1,00			--
0021	LAFN04042		SPACER D8.5-15	1,00			--
0022	VTRS00504		WASHER D. 8 ZC. UNI 6592	1,00			--
0023	LAFN75969		PIN SOSTEGNO CINGHI D.9 H.33	1,00			--
0024	VTVT01688		SCREW TBEI M 8X 30 ISO 7380 IX	1,00			--
0025	MTIG85317		GEAR ACCELERATORE TK1000	1,00			--
0026	MLML85997		SPRING A TORSIONE D.2 TK1000Egz	1,00			--
0027	LAFN47084		BUSHING ACCELERATORE TK 1000	1,00			--
0028	VTVT00452		SCREW TE 8X 50 UNI 5739	1,00			--
0029	MTIG85318		GEAR POTENZIOMETRO ACCEL.1000E	1,00			--
0030	VTVT00021		SCREW TE UNI 5739 3X25 ZB	2,00			--
0031	VTDD00001		NUT UNI 5588 M3 ZB	4,00			--
0032	MECI30642		MICRO-SWITCH 11A 0.33HP	1,00			--
0033	MEVR02112		HORN 24V	1,00	12/10/2015		--
0033	MEVR33430		KLAXON K100/Y 1A 24V	1,00		11/10/2015	--
0034	VTVT00527		SCREW TE FR 6X10 ZB ZIG.	1,00			--
0035	LAFN47030		BUSHING FISS.PEDALE FRENO FORATA	1,00			--
0036	VTVT75731		GRUB SCREW UNI 5923 6X5	1,00			--
0037	MPVR45096		PEDAL COVER GRANDE V1021	1,00			--
0038	LAFN47030		BUSHING FISS.PEDALE FRENO FORATA	1,00			--
0039	LAFN09344		PEDAL -	1,00			--



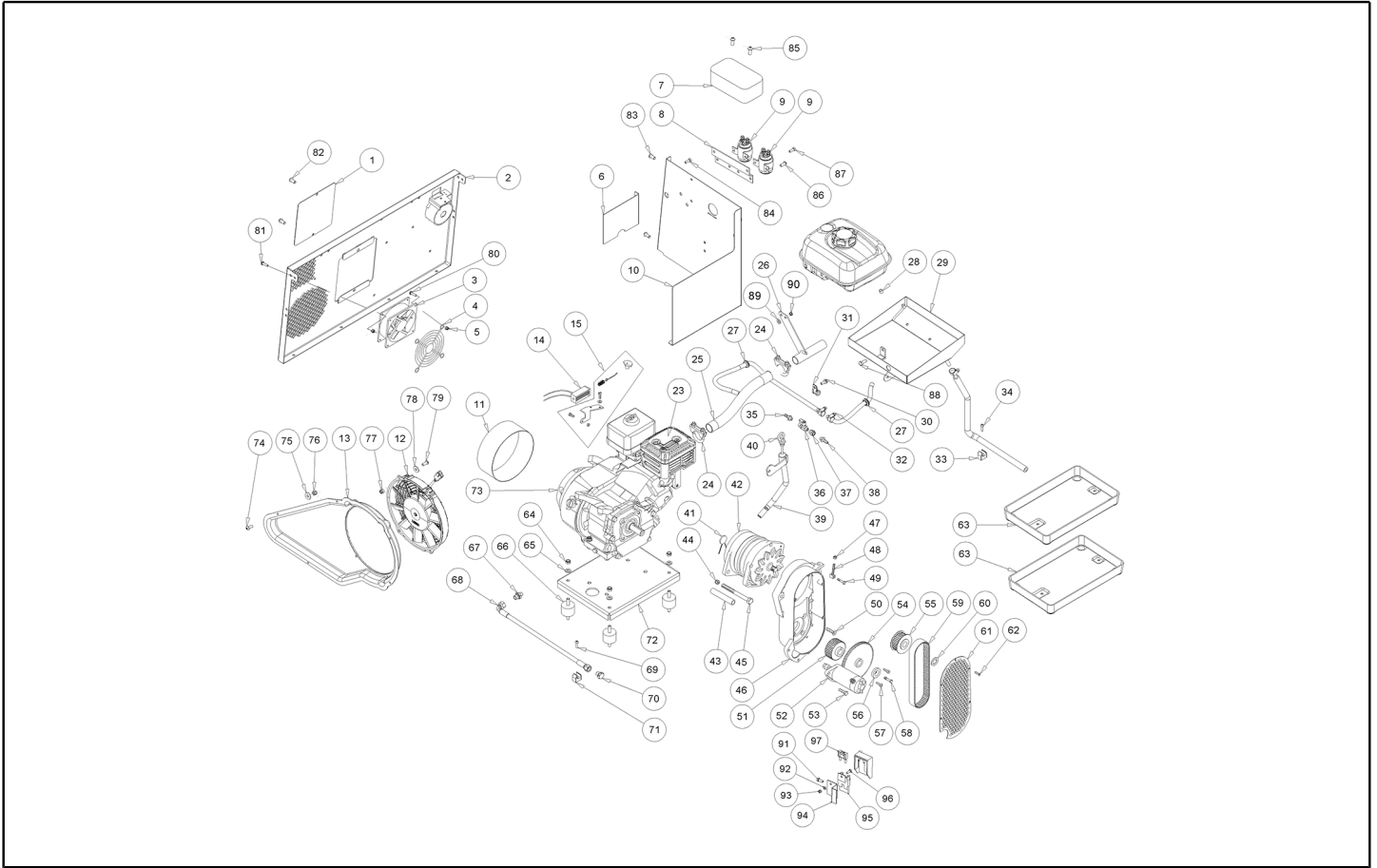
Ref. K	Part n.	Part n. 2	Description	Quantity	Validity		Price
					From	To	
0040	LAFN47019		BUSHING FISSAGGIO PEDALE FRENO	1,00			--
0041	LAFN47036		PIN FISS.PEDALE FRENO+ALZAFIL.	1,00			--
0042	VTAE87276		SEEGER EXT. D10 DIN471	1,00			--
0043	VTVT75731		GRUB SCREW UNI 5923 6X5	1,00			--
0044	LAFN47035		PIN CH.10 H.26 ATTACCO MOLLA	1,00			--
0045	MLML75960		SPRING TRAZIONE TK D.8X1X29 ZB	1,00			--
0046	LAFN47029		PIN CH.10 H.16 ATTACCO MOLLA	1,00			--
0047	LAFN47032		PEDAL BLOCCO FRENO TK1000 ZINC	1,00			--
0048	VTVT75731		GRUB SCREW UNI 5923 6X5	1,00			--
0049	LAFN47033		BUSHING FISSAGGIO PERNO PEDALI	1,00			--
0050	LAFN47031		PIN PEDALE BLOCCO FRENO 1000	1,00			--
0051	VTAE87276		SEEGER EXT. D10 DIN471	1,00			--
0052	LAFN47030		BUSHING FISS.PEDALE FRENO FORATA	1,00			--
0053	LAFN47030		BUSHING FISS.PEDALE FRENO FORATA	1,00			--
0054	MECE00201		RELAIS 24V 10-20 A	1,00			--
0055	MEVR01136		FUSE 30A	1,00			--
0056	MEVR02105		FUSE 50A OMEGA FT3050	1,00			--
0057	VTDD21115		NUT M 3 INOX	2,00			--
0058	LAFN08202		PLATE -	1,00			--
0059	MECE00601		BOARD 1250-1280	1,00			--
0060	MECE00591		BOARD LOGIC 1250-1280	1,00			--
0061	LAFN08204		SUPPORT METAL DASHBOARD 1250	1,00			--
0062	MEVR02017		BEEPER FLASHER FOR BEACON 24V	1,00			--
0063	MECE00182		BUZZER	1,00		26/06/2022	--
0063	MEVR02710		BUZZER	1,00	27/06/2022		--
0064	KTRI05576		KIT POTENTIOMETER SPEED CONTR	1,00			--
0065	KTRI01935		KIT 1050-1202	1,00			--
0066	MEVR85330		BUTTON -	1,00			--
0067	MECI75805		SWITCH KEY FOR BATTERY MACHINES	1,00			--
0067	MEVR00093		KEY SPARE BATTERY VERSION	1,00			--
0068	MECI00520		SMALL BASKET FIX TO FIX CONTACT	1,00		23/09/2018	--
0068	MECI00665		SUPPORT -	1,00	24/09/2018		--
0069	MECI00518		CONTACT NC	1,00		23/09/2018	--
0069	MECI00664		CONTACT 1NC	1,00	24/09/2018		--
0070	MECI00572		SELECTOR -	1,00		23/09/2018	--
0070	MECI00667		SELECTOR -	1,00	24/09/2018		--
0071	VTVT00311		SCREW TE M4X12	1,00			--
0072	VTDD04368		NUT M 4 ZIN UNI 5588	1,00			--
0073	VTDD00491		NUT M 6 TEF	1,00			--
0074	VTDD00124		NUT M8 DIN985	2,00			--
0075	MEVR01116		SUPPORT FUSIBILE 120 A	2,00			--
0076	VTRS01080		WASHER D. 8 GRW	2,00			--
0077	VTDD00483		NUT M 8 ZIN UNI 5588	2,00			--
0078	VTVT01529		SCREW TE M4X20 ZINC. UNI 5739	2,00			--



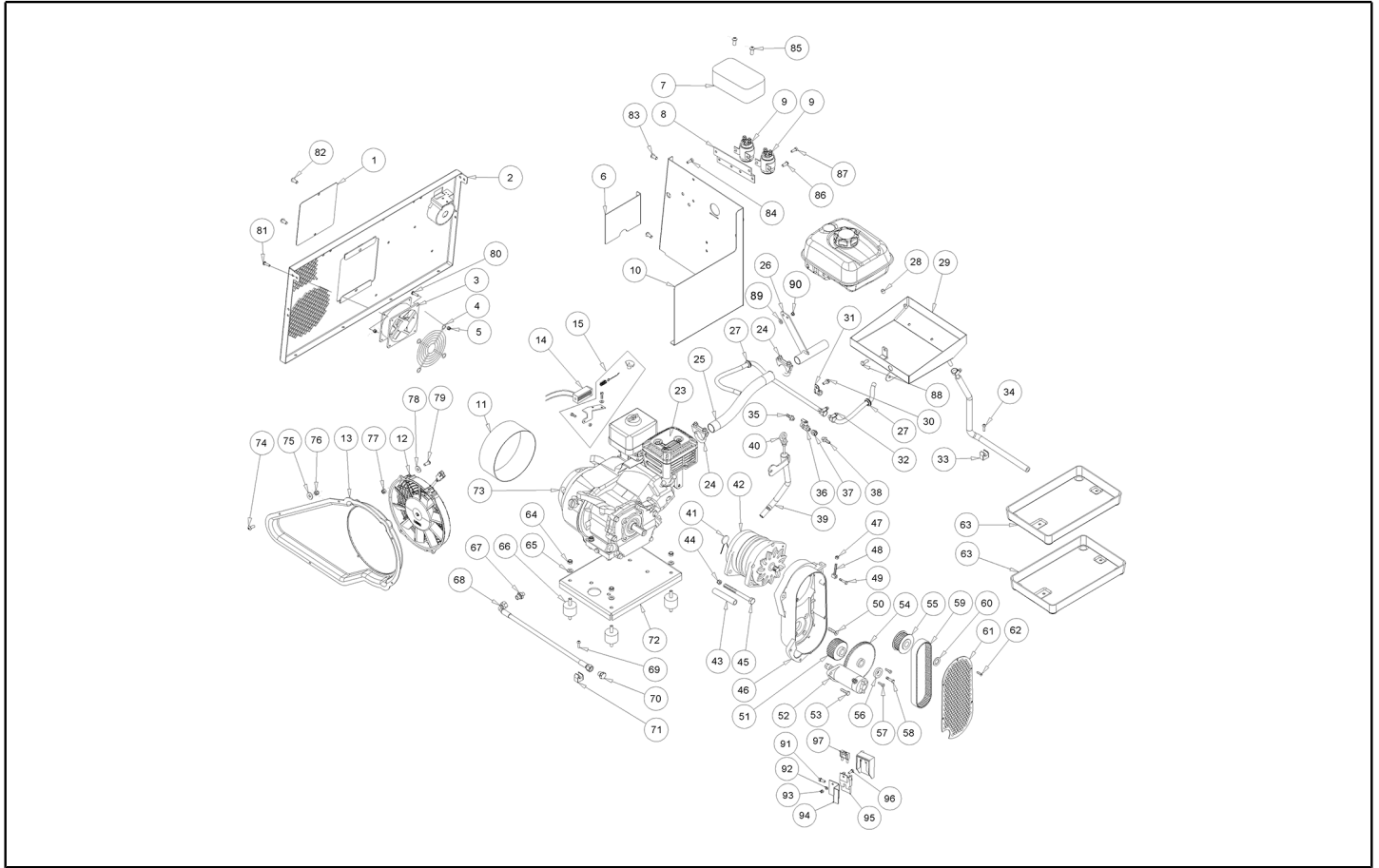
Ref. K	Part n.	Part n. 2	Description	Quantity	Validity		Price
					From	To	
0079	VTDD04369		NUT M 4 TEF UNI 7473	2,00			--
0080	VTVT00527		SCREW TE FR 6X10 ZB ZIG.	3,00			--
0081	VTVT00659		SCREW TC+ M. 4-15	8,00			--
0082	MEVR01708		COLUMN -	4,00			--
0083	VTVT75726		SCREW TBCE ISO 7380 6X16 ZB	2,00			--
0084	VTRS00503		WASHER D. 6 UNI 6592	2,00			--
0085	VTDD00491		NUT M 6 TEF	2,00			--
0086	VTVT01170		SCREW TC 2X16	2,00			--
0087	MERL00018		MICROSWITCH	1,00		26/09/2022	--
0087	MECI00588		MICROSWITCH -	1,00	27/09/2022		--
0088	VTDD00213		NUT M2	2,00			--
0089	VTVT16939		SCREW M 4X 16 TSPEI UNI 5933	2,00			--
0090	VTDD04369		NUT M 4 TEF UNI 7473	2,00			--
0091	LAFN09383		BRACKET -	1,00			--
0092	VTVT01350		SCREW M3-20 INOX	2,00			--
0093	MERL00016		SWITCH RELAY 24V	1,00			--
0094	MERL00016		SWITCH RELAY 24V	1,00			--
0095	MECE00456		RELAY CT110	1,00			--
0096	MECE45124		PCB RELÉ TK1400	1,00			--
0097	MECI75945		COMMUTAT.SWITCH 3 POSIZ.FUNZ.MACCH.+CAPP	1,00			--
0098	VTVT01669		SCREW M4x6 UNI5739 znt cl.4.8	2,00	12/10/2015		--
0099	VTRS00501		WASHER D. 4 0.232 UNI 6592	2,00	12/10/2015		--
0100	LAFN09488		PLATE	1,00	12/10/2015		--
0101	MECI00532		CONTACTOR 24V-100A	1,00	12/10/2015		--
0102	MEVR00080		FUSE-HOLDER PV610 10A	1,00	12/10/2015		--
0103	MEVR00072		FUSE 2.5A F6.3X32-100/110V	1,00	12/10/2015		--
0104	VTVT34115		SCREW TE M 5X 10 UNI 5739	1,00	12/10/2015		--
0105	VTVT00005		SCREW TE M 5X 12 F/ROND.ZIGR	1,00	12/10/2015		--
0106	VTRS15958		WASHER UNI 6592 5X15X1,5 ZB	1,00	12/10/2015		--
0107	MTCR00029		SMALL CHAIN L.16mm (q.ty 1 = 1mt)	0,17	12/10/2015		--
0108	LAFN07380		BRACKET G1050	1,00	12/10/2015		--
0109	LAFN08166		PIN -	1,00			--
0110	LAFN03742		SPACER SILENZIATORE	1,00			--
0111	VTRS00023		WASHER DENTATA INT.UNI 6798 D.18	1,00	10/11/2016		--
0112	VTDD00210		NUT M 3 AUTOBL.DIN 985 IX.A2	2,00	18/01/2017		--
0113	VTVT00722		SCREW	2,00	18/01/2017		--
0114	MEVR02899		FUSE CIRCUIT BREAKER 35A	1,00	18/01/2017		--
0115	MEVR02900		CAP -	1,00	18/01/2017		--
0116	MEVR01133		FUSE 15A 32V	1,00	27/08/2019		--
0117	MEVR01136		FUSE 30A	1,00	27/08/2019		--
0118	METK00017		SENSOR TEMPERATURE 70°C	1,00	03/03/2020		--
0119	GUGO00675		GASKET -	1,00	03/03/2020		--
0120	VTVT00040		SCREW AUTOF.TC UNI6954 3,5X10SP	2,00	03/03/2020		--
0121	MECB02147		WIRING PEDAL 1250-80	1,00	06/08/2020		--



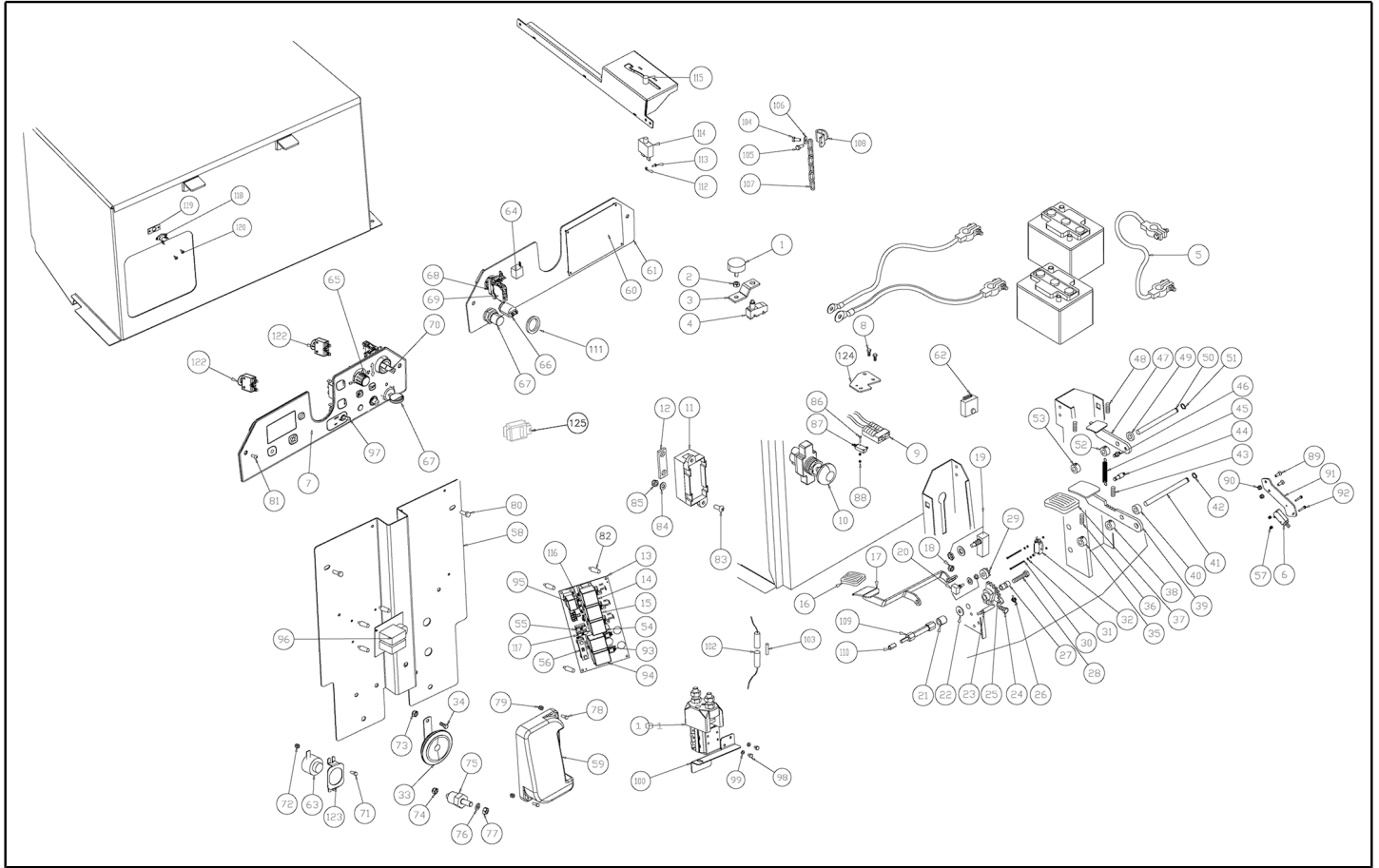
Ref. K	Part n.	Part n. 2	Description	Quantity	Validity		Price
					From	To	
0122	METT00044		FUSE CIRCUIT BREAKER 10A	2,00			--
0123	LAFN11751		BRACKET .	1,00	27/06/2022		--
0124	LAFN11818		SHEET METAL PA .	1,00	27/09/2022		--



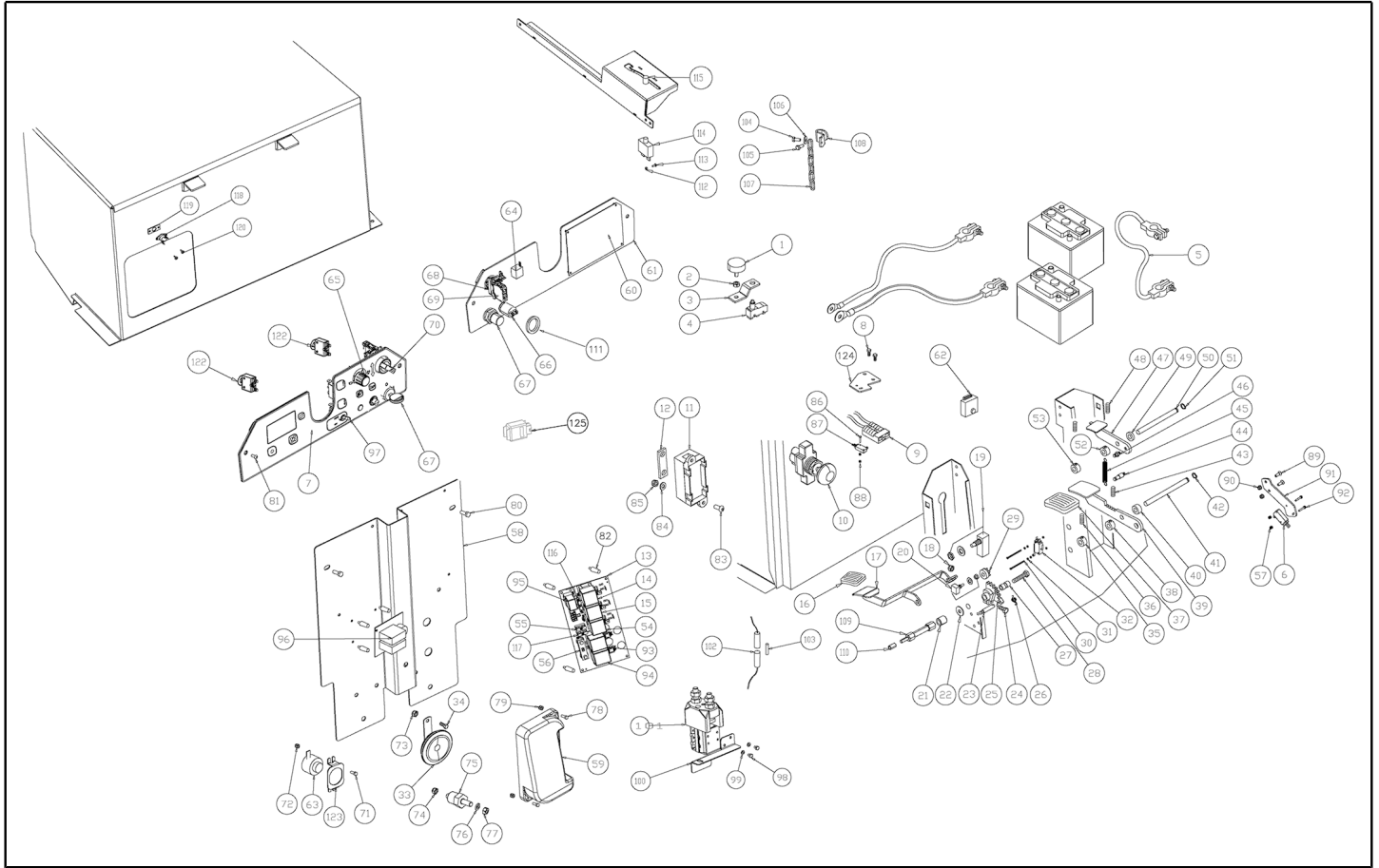
Ref. K	Part n.	Part n. 2	Description	Quantity	Validity		Price
					From	To	
0001	LAFN08122		BULKWARD -	1,00			--
0002	LAFN08179		PANEL -	1,00			--
0003	VEVR45113		IMPELLER 24V KDE 2412-PMS1 6A	1,00			--
0004	LAFN00009		BRACKET PROTEZIONE	1,00			--
0006	LAFN08125		BULKWARD -	1,00			--
0007	MPVR47166		CRANKCASE PROTEZIONE TELERUT.TK1400	1,00			--
0008	LAFN47167		BRACKET PORTA TELERUT.TK1400 ZINC	1,00			--
0009	METT45116		CONTACTOR T106P 24V 100%	2,00			--
0010	LAFN08123		SPACER -	1,00			--
0011	GUVR45977		GASKET CONV.ARIA 1400/1300/1400	1,00			--
0012	VEVR00078		IMPELLER -	1,00			--
0013	MPVR06411		CONVEYOR -	1,00			--
0014	MEVR02915		SOLENOID -	1,00			--
0015	KTRI05092		KIT -	1,00			--
0023	MRSC00092		SILENCER -	1,00			--
0024	LAFN02858		CLAMP D.32	2,00			--
0025	TBFX00057		FLEXIBLE HOSE	0,38			--
0026	LAFN08128		HOSE -	1,00			--
0027	MEVR00686		FAIR-LEAD DIAMETER 15.5	2,00			--
0028	LAFN47095		SPACER D.6X10X8 ZINCATO	2,00			--
0029	LAFN08126		BRACKET -	1,00			--
0031	FSVR00005		CLAMP D.10 F.8,5 Inox430	2,00			--
0032	FSVR19692		CLAMP D. 11-16 VT	2,00			--
0033	FSVR00024		HOSE COLLAR	1,00			--
0035	RCVR00004		CONNECTOR PORTAGOMMA 1/8" D.7	1,00			--
0036	RCGR00008		VALVE SOLUTION M/F 1/8"	1,00			--
0037	RCVR00019		SLEEVE 1/8"	1,00			--
0038	RCVR00004		CONNECTOR PORTAGOMMA 1/8" D.7	1,00			--
0039	LAFN08129		HOSE -	1,00			--
0040	TBBP00383		ROD LIVELLO OLIO	1,00			--
0041	METK47170		PROBE F11-140° NC	1,00			--
0042	ARGN00004		ALTERNATOR 28V-80A	1,00			--
0043	LAFN47157		SPACER X ALTERNATORE X 1400 DP	1,00			--
0044	VTDD00042		NUT AUT.M10 UNI7474	1,00			--
0045	VTVT16260		SCREW TE UNI 5737 10X160 ZB	1,00			--
0046	MFVR47154		SUPPORT MOTORINO TK1400 DP	1,00			--
0047	VTDD00491		NUT M 6 TEF	1,00			--
0048	LAFN47168		BELT-STRETCHER ALTERNATORE TK1400	1,00			--
0049	VTVT28307		SCREW TCCE UNI 5931 10X70 ZN	1,00			--
0050	VTVT63134		SCREW M 8X25 TSPEI ZC UNI 5933	4,00			--
0051	MTPL45323		PULLEY MOT.HONDA 44-RPP5-25 1400	1,00			--
0052	MOCC45115		MOTOR 24V 300W SX	1,00			--
0053	VTVT01119		SCREW TCCE UNI 5931 8X30 ZB	1,00			--
0054	MTCR45720		TOOTHED WHEEL Z. 80 P 1.75	1,00			--



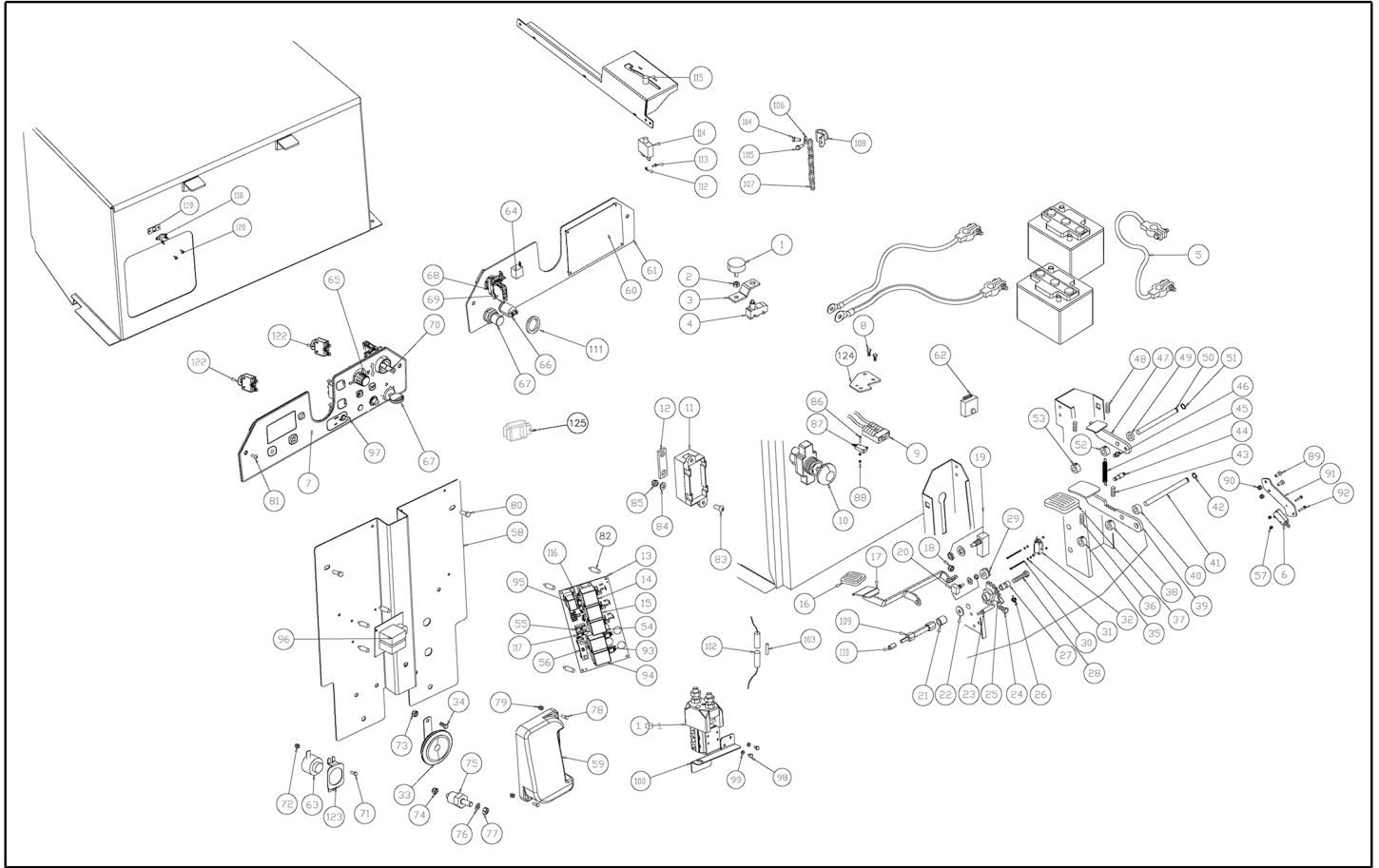
Ref. K	Part n.	Part n. 2	Description	Quantity	Validity		Price
					From	To	
0055	MTPL45322		PULLEY ALTERN.40-RPP5-25	1,00			--
0056	LAFN06832		WASHER BLOCCA INGRANAGGIO	1,00			--
0057	VTVT00066		SCREW TCCE UNI 5931 8X25 ZB	2,00			--
0058	VTVT00448		SCREW TE 8X30 UNI5739	1,00			--
0059	MTCG44555		BELT DENTATA DAYCO/ISORAN	1,00			--
0060	LAFN00271		NUT FISSA PULEGGIA ALTERNA.	1,00			--
0061	LAFN47152		BRACKET PROTEZIONE	1,00			--
0062	VTVT00005		SCREW TE M 5X 12 F/ROND.ZIGR	5,00			--
0063	LAFN87156		CONTAINER BATTERY	2,00			--
0064	VTDD00124		NUT M8 DIN985	4,00			--
0065	VTRS00504		WASHER D. 8 ZC. UNI 6592	4,00			--
0066	ABGO00009		VIBRATION DAMP. MM 40X30 8MAX25	4,00			--
0067	RCDS47173		NIPPLE 1/4 -M10X1.25	1,00			--
0068	TBBP00514		TUBE -	1,00			--
0070	RCDS00002		CAP 1/4" X IMPIANTO IDRAULICO	1,00			--
0071	FSVR00024		HOSE COLLAR	1,00			--
0072	LAFN08184		PLATE -	1,00			--
0073	MOSC47149		MOTOR HONDA GX200-SX-4-OH	1,00			--
0074	VTVT75726		SCREW TBCE ISO 7380 6X16 ZB	5,00			--
0075	VTRS04026		WASHER D. 6X18X2.38	5,00			--
0076	VTDD00491		NUT M 6 TEF	5,00			--
0077	VTDD00491		NUT M 6 TEF	4,00			--
0078	VTRS00503		WASHER D. 6 UNI 6592	4,00			--
0079	VTVT75726		SCREW TBCE ISO 7380 6X16 ZB	4,00			--
0080	VTVT15924		SCREW M4X16 UNI7687	4,00			--
0081	VTVT15924		SCREW M4X16 UNI7687	4,00			--
0082	VTVT75726		SCREW TBCE ISO 7380 6X16 ZB	2,00			--
0083	VTVT75726		SCREW TBCE ISO 7380 6X16 ZB	2,00			--
0084	VTVT62920		SCREW TE FR 6X16 ZB ZIGRINATE	2,00			--
0085	VTVT75725		SCREW TBCE ISO 7380 6X10 ZB	2,00			--
0086	VTVT75725		SCREW TBCE ISO 7380 6X10 ZB	2,00			--
0087	VTVT62920		SCREW TE FR 6X16 ZB ZIGRINATE	2,00			--
0088	VTVT00527		SCREW TE FR 6X10 ZB ZIG.	1,00			--
0089	VTRS00274		WASHER NYLON 66 D.8.4-17-2 UNI	2,00	17/12/2015		--
0090	LAFN09413		BUSHING -	2,00	17/12/2015		--
0091	VTVT01531		SCREW TE 6X 16 UNI 5739	1,00	22/07/2020		--
0092	VTRS00502		WASHER D. 5 0.466 UNI 6592	2,00	22/07/2020		--
0093	VTDD00128		SELF-LOCJ.NUT M5	1,00	22/07/2020		--
0094	LAFN11489		SHEET METAL PA.	1,00	22/07/2020		--
0095	MEVR00613		FUSE CARRIER MAXIVAL with cover	1,00	22/07/2020		--
0096	VTVT14062		SCREW TE UNI 5739 5X16 ZB A.8.8	1,00	22/07/2020		--
0097	MEVR04014		FUSE 50A MAXIVAL	1,00	22/07/2020		--



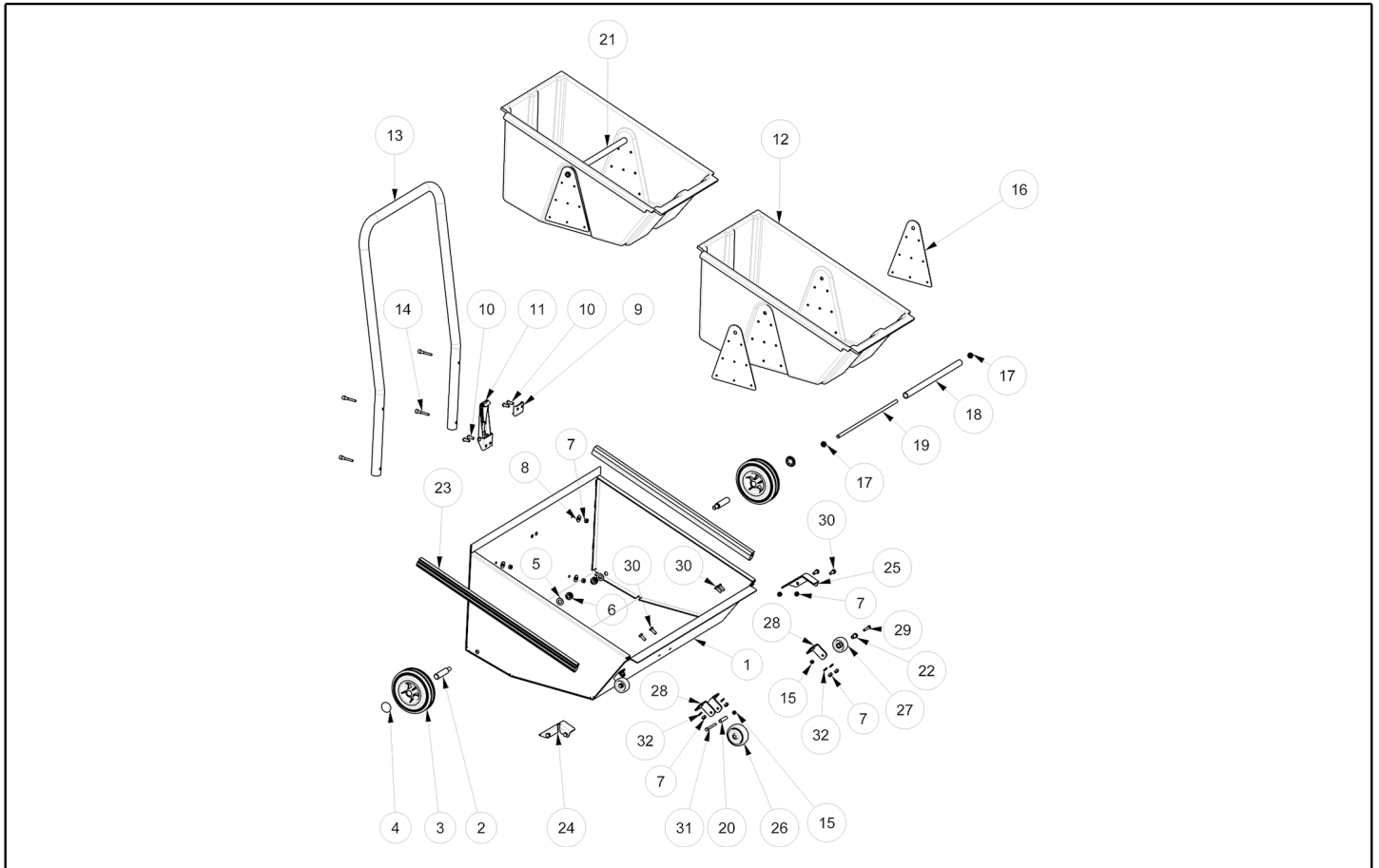
Ref. K	Part n.	Part n. 2	Description	Quantity	Validity		Price
					From	To	
0001	ABGO00026		VIBRATION DAMP.	2,00			--
0002	VTDD10776		NUT M 8 X1 UNI 5588	4,00			--
0003	LAFN07862		BRACKET -	1,00			--
0004	MECI75801		MICROSWITCH A PISTONE (MS/10-Z15GC)	1,00			--
0005	MEVR34820		WIRING BATTERY BRIDGE W/TERMINAL	3,00			--
0006	MECI00114		MICROSWITCH	1,00			--
0007	ETET16198		LABEL -	1,00			--
0008	VTVT67362		SCREW TE M 4X 25 ZC. U.5739	2,00			--
0009	MEVR02595		CONNECTOR SB50 RED	1,00			--
0010	MECI00571		BUTTON EMERGENCY BL.SB 1250	1,00			--
0011	MEVR00146		FUSE-HOLDER MEGA	1,00			--
0012	MEVR00145		FUSE 100A	1,00			--
0013	MECE00592		BOARD POWER SERVICE 1250-1280	1,00			--
0014	MECE00201		RELAIS 24V 10-20 A	1,00			--
0015	MECE00201		RELAIS 24V 10-20 A	1,00			--
0016	MPVR85654		PEDAL COVER PICCOLO V1020	1,00			--
0017	LAFN08165		PEDAL -	1,00			--
0018	VTDD00124		NUT M8 DIN985	1,00			--
0019	MECI75801		MICROSWITCH A PISTONE (MS/10-Z15GC)	2,00			--
0020	KTRIO2289		KIT ACC. POTENZIOMET. 1250-80	1,00			--
0021	LAFN04042		SPACER D8.5-15	1,00			--
0022	VTRS00504		WASHER D. 8 ZC. UNI 6592	1,00			--
0023	LAFN75969		PIN SOSTEGNO CINGHI D.9 H.33	1,00			--
0024	VTVT01688		SCREW TBEI M 8X 30 ISO 7380 IX	1,00			--
0025	MTIG85317		GEAR ACCELERATORE TK1000	1,00			--
0026	MLML85997		SPRING A TORSIONE D.2 TK1000Egz	1,00			--
0027	LAFN47084		BUSHING ACCELERATORE TK 1000	1,00			--
0028	VTVT00452		SCREW TE 8X 50 UNI 5739	1,00			--
0029	MTIG85318		GEAR POTENZIOMETRO ACCEL.1000E	1,00			--
0030	VTVT00021		SCREW TE UNI 5739 3X25 ZB	2,00			--
0031	VTDD00001		NUT UNI 5588 M3 ZB	4,00			--
0032	MECI30642		MICRO-SWITCH 11A 0.33HP	1,00			--
0033	MEVR02112		HORN 24V	1,00			--
0034	VTVT00527		SCREW TE FR 6X10 ZB ZIG.	1,00			--
0035	LAFN47030		BUSHING FISS.PEDALE FRENO FORATA	1,00			--
0036	VTVT75731		GRUB SCREW UNI 5923 6X5	1,00			--
0037	MPVR45096		PEDAL COVER GRANDE V1021	1,00			--
0038	LAFN47030		BUSHING FISS.PEDALE FRENO FORATA	1,00			--
0039	LAFN09344		PEDAL -	1,00			--
0040	LAFN47019		BUSHING FISSAGGIO PEDALE FRENO	1,00			--
0041	LAFN47036		PIN FISS.PEDALE FRENO+ALZAFI.	1,00			--
0042	VTAE87276		SEEGER EXT. D10 DIN471	1,00			--
0043	VTVT75731		GRUB SCREW UNI 5923 6X5	1,00			--
0044	LAFN47035		PIN CH.10 H.26 ATTACCO MOLLA	1,00			--



Ref. K	Part n.	Part n. 2	Description	Quantity	Validity		Price
					From	To	
0045	MLML75960		SPRING TRAZIONE TK D.8X1X29 ZB	1,00			--
0046	LAFN47029		PIN CH.10 H.16 ATTACCO MOLLA	1,00			--
0047	LAFN47032		PEDAL BLOCCO FRENO TK1000 ZINC	1,00			--
0048	VTVT75731		GRUB SCREW UNI 5923 6X5	1,00			--
0049	LAFN47033		BUSHING FISSAGGIO PERNO PEDALI	1,00			--
0050	LAFN47031		PIN PEDALE BLOCCO FRENO 1000	1,00			--
0051	VTAE87276		SEEGER EXT. D10 DIN471	1,00			--
0052	LAFN47030		BUSHING FISS.PEDALE FRENO FORATA	1,00			--
0053	LAFN47030		BUSHING FISS.PEDALE FRENO FORATA	1,00			--
0054	MECE00201		RELAIS 24V 10-20 A	1,00			--
0055	MEVR01136		FUSE 30A	1,00			--
0056	MEVR02105		FUSE 50A OMEGA FT3050	1,00			--
0057	VTDD21115		NUT M 3 INOX	2,00			--
0058	LAFN11827		SHEET METAL PA.	1,00			--
0059	MECE00925		BOARD 7CH4Q92F 1250-80	1,00			--
0060	MECE00591		BOARD LOGIC 1250-1280	1,00			--
0061	LAFN08204		SUPPORT METAL DASHBOARD 1250	1,00			--
0062	MEVR02017		BEEPER FLASHER FOR BEACON 24V	1,00			--
0063	MEVR02710		BUZZER	1,00			--
0064	KTRI05576		KIT POTENTIOMETER SPEED CONTR	1,00			--
0065	KTRI01935		KIT 1050-1202	1,00			--
0066	MEVR85330		BUTTON -	1,00			--
0067	MECI75805		SWITCH KEY FOR BATTERY MACHINES	1,00			--
0067	MEVR00093		KEY SPARE BATTERY VERSION	1,00			--
0068	MECI00665		SUPPORT -	1,00			--
0069	MECI00664		CONTACT 1NC	1,00			--
0070	MECI00667		SELECTOR -	1,00			--
0071	VTVT00311		SCREW TE M4X12	1,00			--
0072	VTDD04368		NUT M 4 ZIN UNI 5588	1,00			--
0073	VTDD00491		NUT M 6 TEF	1,00			--
0074	VTDD00124		NUT M8 DIN985	2,00			--
0075	MEVR01116		SUPPORT FUSIBILE 120 A	2,00			--
0076	VTRS01080		WASHER D. 8 GRW	2,00			--
0077	VTDD00483		NUT M 8 ZIN UNI 5588	2,00			--
0078	VTVT29884		SCREW TE UNI 5739 4X16 ZB	4,00			--
0079	VTDD04369		NUT M 4 TEF UNI 7473	2,00			--
0080	VTVT00527		SCREW TE FR 6X10 ZB ZIG.	3,00			--
0081	VTVT00659		SCREW TC+ M. 4-15	8,00			--
0082	MEVR01708		COLUMN -	4,00			--
0083	VTVT75726		SCREW TBCE ISO 7380 6X16 ZB	2,00			--
0084	VTRS00503		WASHER D. 6 UNI 6592	2,00			--
0085	VTDD00491		NUT M 6 TEF	2,00			--
0086	VTVT01170		SCREW TC 2X16	2,00			--
0087	MECI00588		MICROSWITCH -	1,00			--



Ref. K	Part n.	Part n. 2	Description	Quantity	Validity		Price
					From	To	
0088	VTDD00213		NUT M2	4,00			--
0089	VTVT16939		SCREW M 4X 16 TSPEI UNI 5933	2,00			--
0090	VTDD04369		NUT M 4 TEF UNI 7473	2,00			--
0091	LAFN09383		BRACKET -	1,00			--
0092	VTVT01350		SCREW M3-20 INOX	2,00			--
0093	MERL00016		SWITCH RELAY 24V	1,00			--
0094	MERL00016		SWITCH RELAY 24V	1,00			--
0095	MECE00456		RELAY CT110	1,00			--
0096	MECE45124		PCB RELÉ TK1400	1,00			--
0097	MECI75945		COMMUTAT.SWITCH 3 POSIZ.FUNZ.MACCH.+CAPP	1,00			--
0098	VTVT01669		SCREW M4x6 UNI5739 znt cl.4.8	2,00			--
0099	VTRS00501		WASHER D. 4 0.232 UNI 6592	2,00			--
0100	LAFN09488		PLATE	1,00			--
0101	MECI00532		CONTACTOR 24V-100A	1,00			--
0102	MEVR00080		FUSE-HOLDER PV610 10A	1,00			--
0103	MEVR00072		FUSE 2.5A F6.3X32-100/110V	1,00			--
0104	VTVT34115		SCREW TE M 5X 10 UNI 5739	1,00			--
0105	VTVT00005		SCREW TE M 5X 12 F/ROND.ZIGR	1,00			--
0106	VTRS15958		WASHER UNI 6592 5X15X1,5 ZB	1,00			--
0107	MTCR00029		SMALL CHAIN L.16mm (q.ty 1 = 1mt)	0,17			--
0108	LAFN07380		BRACKET G1050	1,00			--
0109	LAFN08166		PIN -	1,00			--
0110	LAFN03742		SPACER SILENZIATORE	1,00			--
0111	VTRS00023		WASHER DENTATA INT.UNI 6798 D.18	1,00			--
0112	VTDD00210		NUT M 3 AUTOBL.DIN 985 IX.A2	2,00			--
0113	VTVT00722		SCREW	2,00			--
0114	MEVR02899		FUSE CIRCUIT BREAKER 35A	1,00			--
0115	MEVR02900		CAP -	1,00			--
0116	MEVR01133		FUSE 15A 32V	1,00			--
0117	MEVR01136		FUSE 30A	1,00			--
0118	METK00017		SENSOR TEMPERATURE 70°C	1,00			--
0119	GUGO00675		GASKET -	1,00			--
0120	VTVT00040		SCREW AUTOF.TC UNI6954 3,5X10SP	2,00			--
0122	METT00044		FUSE CIRCUIT BREAKER 10A	2,00			--
0123	LAFN11751		BRACKET .	1,00			--
0124	LAFN11818		SHEET METAL PA.	1,00			--
0125	MECE00915		BOARD INVERTER	1,00			--



Ref. K	Part n.	Part n. 2	Description	Quantity	Validity		Price
					From	To	
0001	LAFN08175		DRAWER TK1000	1,00			--
0002	LAFN00433		WHEEL PIN D.15 L.70,5	2,00			--
0003	RTRT00013		WHEEL GOMMA D.125	2,00			--
0004	VTVR26502		WHEEL'S COVER D.15	2,00			--
0005	VTRS00505		WASHER D.10 UNI 6592	2,00			--
0006	VTDD00042		NUT AUT.M10 UNI7474	2,00			--
0007	VTDD00491		NUT M 6 TEF	14,00			--
0008	VTRS04026		WASHER D. 6X18X2,38	4,00			--
0009	CHVR76643		SUPP.HOLDER LOCK SW1000	1,00			--
0010	VTVT75726		SCREW TBCE ISO 7380 6X16 ZB	4,00			--
0011	CHVR76642		CLOSURE SW1000	1,00			--
0012	MPVR06100		DRAWER REAR 1250	2,00			--
0013	LAFN08194		HANDLE -	1,00			--
0014	VTVT63029		SCREW TCCE UNI 5931 6X35 ZB	4,00			--
0015	VTDD08171		NUT M 5 TEF	3,00			--
0016	LAFN08149		REINFORCEMENT -	4,00			--
0017	VTDD00057		NUT UNI 5589 M8 BASSO ZB	4,00			--
0018	LAFN11080		HANDLE -	2,00			--
0019	VTVR01068		THREADED BAR M8X135MM	2,00			--
0020	LAFN06735		SPACER 6-8 H31,5	1,00			--
0021	KTRI04765		KIT 1250 REAR DRAWER	2,00			--
0022	LAFN36619		SPACER D. 5-12 L=17 L.8 OT.	2,00			--
0023	GUVR00010		GASKET	2,00			--
0024	LAFN12140		BRACKET DRAWER GUIDE RH	1,00			--
0025	LAFN12139		BRACKET DRAWER GUIDE LH	1,00			--
0026	RTRT00398		WHEEL d.60 HOLE 8	1,00			--
0027	RTRT34920		WHEEL D. 40-D. 7 NYL L.8	2,00			--
0028	LAFN12141		BRACKET WHEEL GUIDE DRAWER	4,00			--
0029	VTVT00278		SCREW EXAGONAL 5X25	2,00			--
0030	VTVT01531		SCREW TE 6X 16 UNI 5739	10,00			--
0031	VTVT01481		SCREW TE 5X45 UNI5739 INOX	1,00			--
0032	VTRS00503		WASHER D. 6 UNI 6592	6,00			--