

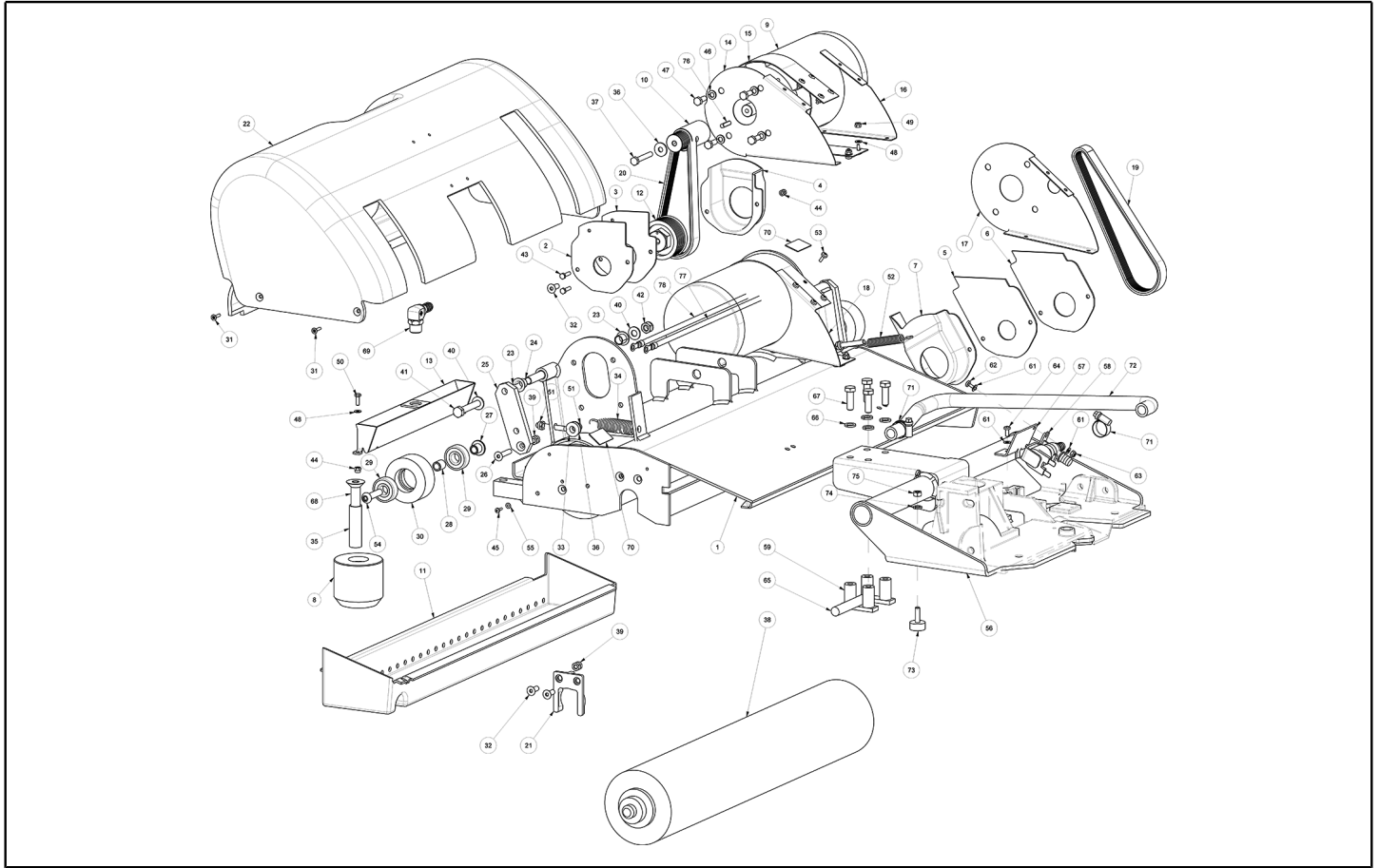


**IPC**

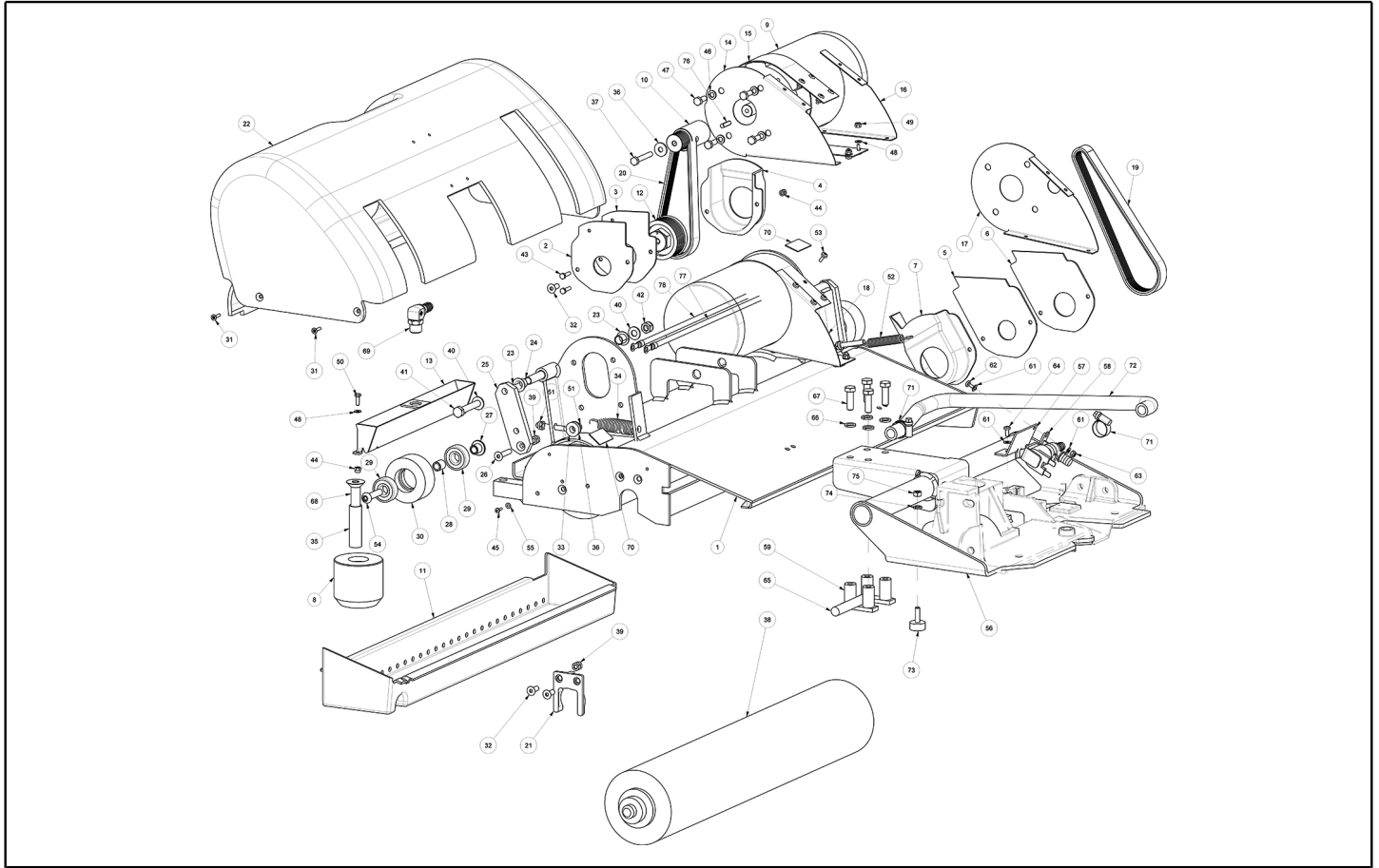
**Spare parts list**

Ref: LPTB01915

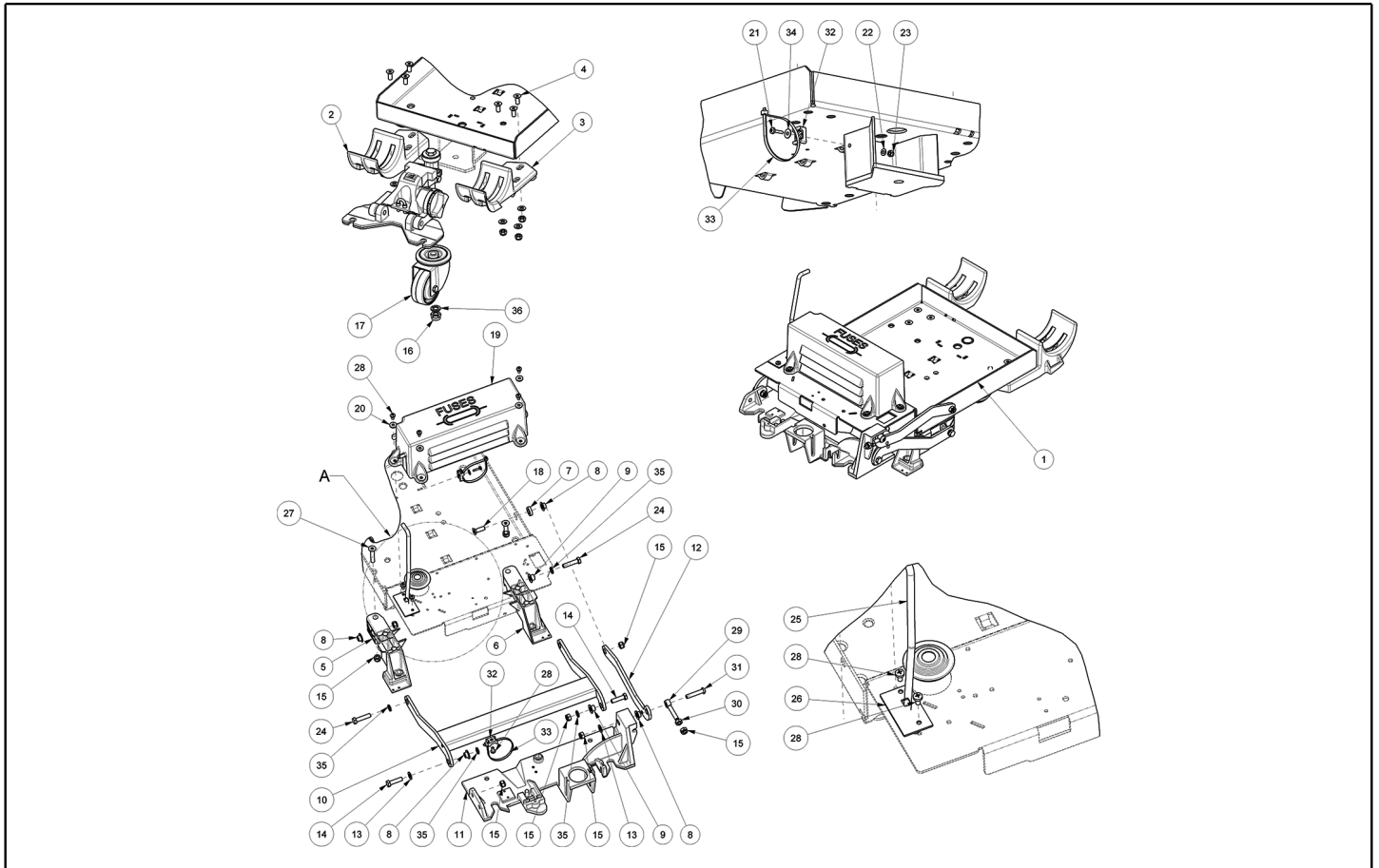
Model: FLOOR WASHER CT51 XP55R+CB+BAT VE



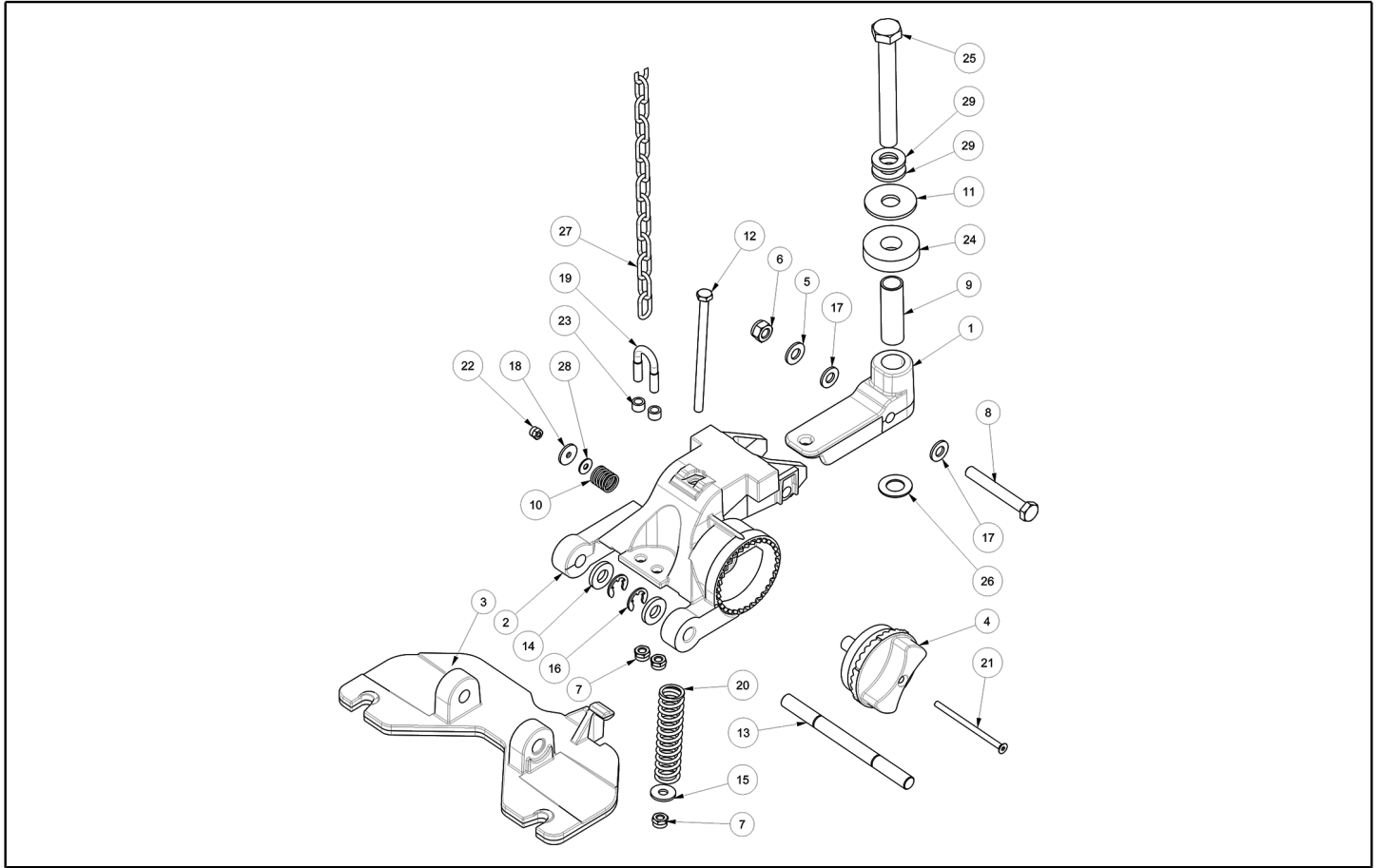
Ref. K	Part n.	Part n. 2	Description	Quantity	Validity		Price
					From	To	
0001	LAFN06764		HEAD 55	1,00			--
0002	MPVR05602		CLOSURE -	1,00			--
0003	MPVR05756		GASKET -	1,00			--
0004	MPVR05601		PROTECTION -	1,00			--
0005	MPVR05600		CLOSURE -	1,00			--
0006	MPVR05757		GASKET -	1,00			--
0007	MPVR05599		PROTECTION -	1,00			--
0008	MPVR10560		ROLLER -	2,00			--
0009	MOCC00379		MOTOR -	2,00			--
0010	MTPL00205		PULLEY -	2,00			--
0011	MPVR05603		DRAWER -	1,00			--
0012	MTPL00208		PULLEY -	2,00			--
0013	LAFN07873		LEVER -	1,00			--
0014	LAFN07817		CONVEYOR -	1,00			--
0015	LAFN07819		CONVEYOR -	2,00			--
0016	LAFN07820		CONVEYOR -	1,00			--
0017	LAFN07815		CONVEYOR -	1,00			--
0018	LAFN36066		BRACKET -	1,00			--
0019	MTCG00129		BELT POLI	1,00			--
0020	MTCG00130		BELT POLI	1,00			--
0021	MPVR31929		SUPPORT ROLLER BRUSH	2,00			--
0022	MPVR05597		COVER -	1,00			--
0023	CUVR43254		BUSHING CB 85 1010 18T	4,00			--
0024	LAFN07799		SPACER 10-8 L 39,9	2,00			--
0025	LAFN07769		BRACKET -	2,00			--
0026	VTVT30246		SCREW TSPEI M 6X 30 UNI 5933	2,00			--
0027	LAFN51068		BUSHING LEVA POSTER.	2,00			--
0028	LAFN07804		SPACER -	2,00			--
0029	CUVR00004		BEARING 6201 2RS -MARCA-	4,00			--
0030	MTPL00206		PULLEY -	2,00			--
0031	VTVT00855		SCREW TSP+ M4X15	4,00			--
0032	VTVT00832		SCREW TSPEI M6X16 INOX	6,00			--
0033	LAFN05186		TIE ROD	2,00			--
0034	MLML75961		SPRING TRAZ.NUOVA D.16 L.70 ZB	1,00			--
0035	LAFN04111		SPACER	2,00			--
0036	VTRS13945		WASHER D. 6X18 INX UNI 6593	4,00			--
0037	VTVT15145		SCREW TE 6X40 UNI5739 INX	2,00			--
0038	SPPV01163		BRUSH ROLLER L.55 D.100 B-0.3	2,00			--
0039	VTDD15518		NUT M 6 INX	6,00			--
0040	VTRS13947		WASHER D. 8 INX UNI 6592	4,00			--
0041	VTVT00728		SCREW TE M. 8-55	2,00			--
0042	VTDD01695		NUT M 8 INX	2,00			--
0043	VTVT00704		SCREW TE M 4X 16 UNI5739 INOX	4,00			--
0044	VTDD15925		NUT M 4 INX+ZN	6,00			--



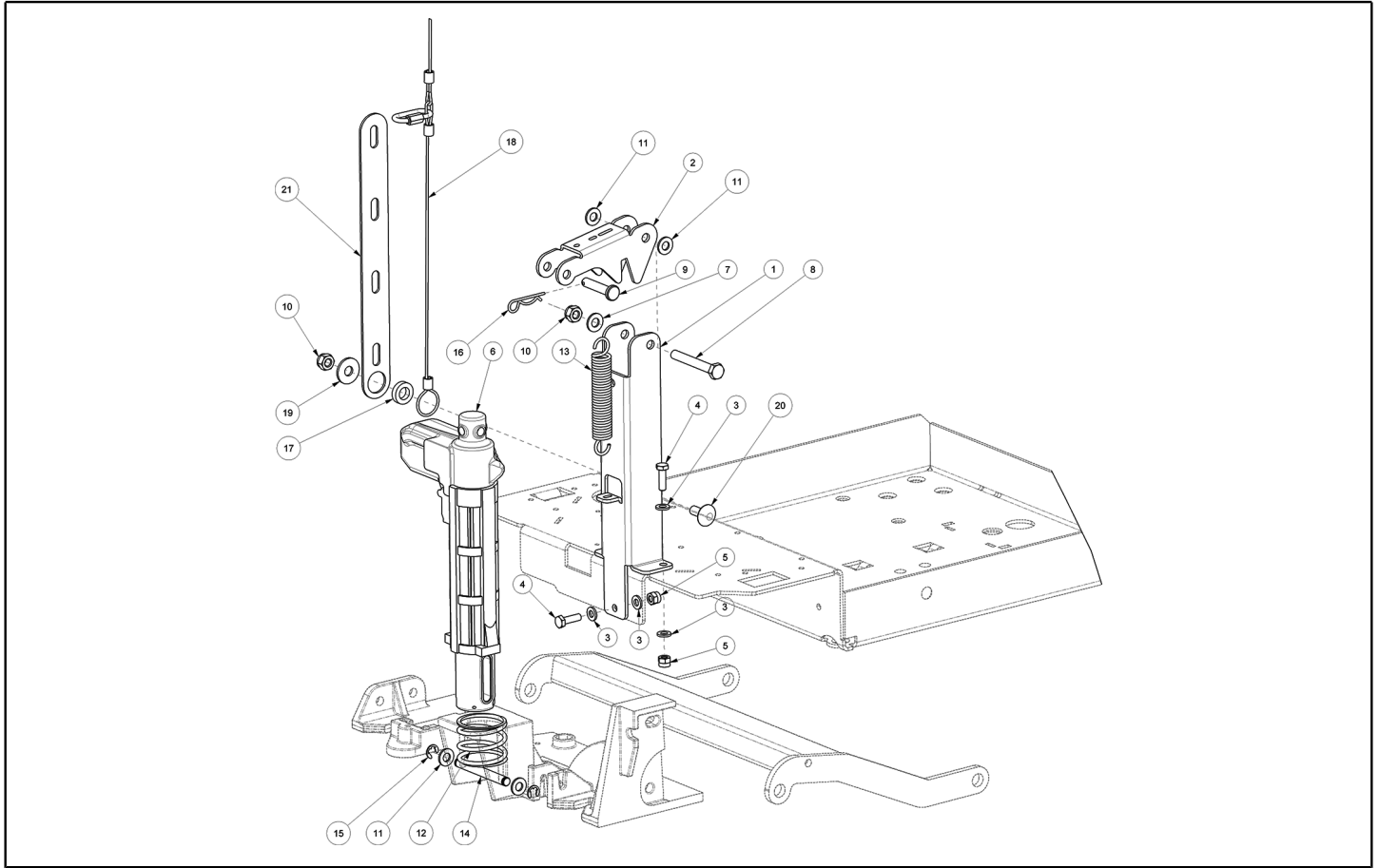
Ref. K	Part n.	Part n. 2	Description	Quantity	Validity		Price
					From	To	
0045	VTVT00722		SCREW	2,00			--
0046	VTRS15144		WASHER D. 6 INX GRW UNI 1751	8,00			--
0047	VTVT15143		SCREW TE 6X16 UNI5739	8,00			--
0048	VTRS00515		WASHER D. 4 INX	18,00			--
0049	VTDD00055		NUT M 4 ATB A2	16,00			--
0050	VTVT00817		SCREW TE M4x12 UNI 5739 INOX	2,00			--
0051	VTDD01694		NUT M6 INOX	4,00			--
0052	MLML00065		SPRING L0=80 De=12 Df=1.7	1,00			--
0053	VTVT37012		SCREW M 4X 10 TCB-TC INX	16,00			--
0054	VTVT00816			2,00			--
0055	VTRS21116		WASHER D. 3 INX	2,00			--
0056	LAFN11004		BRACKET -	1,00			--
0057	LAFN11053		BRACKET -	1,00			--
0058	MEEV00036		SOLENOID VALVE HOLE 8mm CLEAN TIME	1,00			--
0059	LAFN07603		BRACKET -	2,00			--
0061	VTRS00515		WASHER D. 4 INX	5,00			--
0062	VTVT15965		SCREW TCB-TC 4X12 UNI7687 INX	2,00			--
0063	VTDD00055		NUT M 4 ATB A2	2,00			--
0064	VTVT21887		SCREW TCB-TC 4X10 8112	1,00			--
0065	LAFN07633		PIN -	1,00			--
0066	VTRS15146		WASHER GROVER A2 UNI1751	4,00			--
0067	VTVT15907		SCREW TE 8X25 UNI5739 INX	4,00			--
0068	VTVT00885		SCREW TSPEI M.12-80	2,00			--
0069	RCLR45752		HOSE FITTING "L" 3/8M - D.10 PLS.	1,00			--
0070	GLVR01008		GASKET -	2,00			--
0071	FSVR00428		CLAMP D. 12-20 IX	2,00			--
0072	TBFX48011		HOSE FLEX D.12X3 ARMORV.PVC TR	0,47			--
0073	MPVR75799		FOOT 20X9 M6X18	2,00			--
0074	VTRS15144		WASHER D. 6 INX GRW UNI 1751	2,00			--
0075	VTDD15520		NUT M 6 A2 UNI 5588 INX	2,00			--
0076	VTVR13165		KEY UNI 6604 5X5X20	2,00			--
0077	MECB01014		CABLE L320 BLACK W/TERMINALS	1,00			--
0078	MECB02008		WIRING L320 RED W/TERMINALS	1,00			--



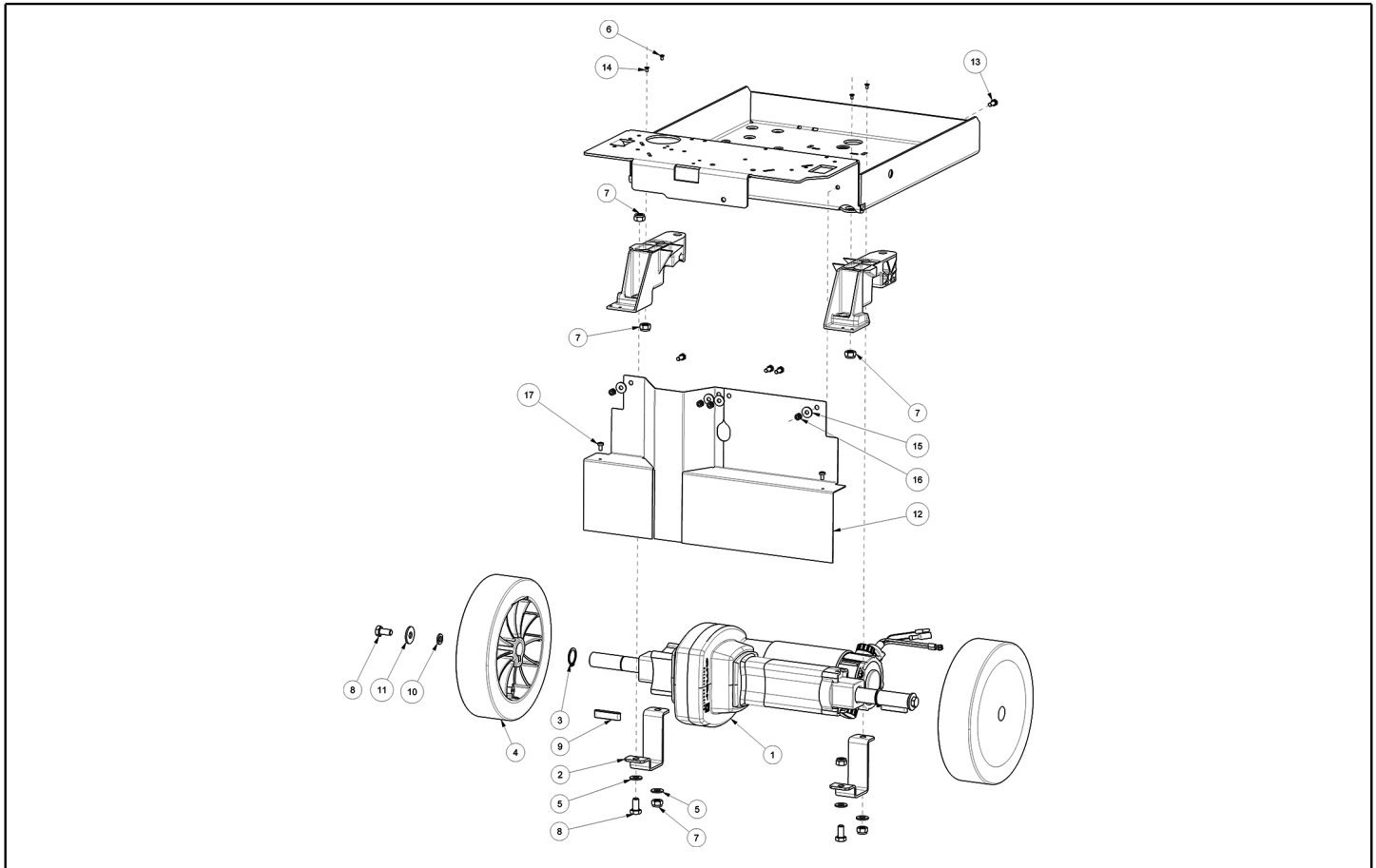
Ref. K	Part n.	Part n. 2	Description	Quantity	Validity		Price
					From	To	
0001	LAFN09477		FRAME CT50/70	1,00			--
0002	MFVR00286		SUPPORT -	1,00			--
0003	MFVR00287		SUPPORT -	1,00			--
0004	VTVT01352		SCREW TSPEI M8X20	6,00			--
0005	MFVR00283		SUPPORT -	1,00			--
0006	MFVR00284		SUPPORT -	1,00			--
0007	LAFN11009		SPACER -	1,00			--
0008	LAFN06391		BUSHING BRUSH DECK SUPPORT	4,00			--
0009	LAFN10998		BUSHING -	2,00			--
0010	LAFN09420		ARM -	1,00			--
0011	MFVR00240		BRACKET BRUSH HEAD SUPPORT CT51	1,00			--
0012	LAFN09421		LEVER -	1,00			--
0013	VTRS13947		WASHER D. 8 INX UNI 6592	8,00			--
0014	VTVT00140		SCREW TE M8x30	2,00			--
0015	VTDD01701		NUT M8 INOX+ZIN.	15,00			--
0016	VTDD00176		NUT M.12 INOX A2 BASSO AUTOB.	1,00			--
0017	RTRT00518		WHEEL CASTOR D.80X30	1,00			--
0018	VTVT00781		SCREW TSPEI M.8-25	1,00			--
0019	MPVR06505		COVERING ELECTRONIC BOX CT51	1,00			--
0020	VTRS13750		WASHER D. 5X14 INX	4,00			--
0021	VTVT01366		SCREW M4X16	1,00			--
0022	VTRS00515		WASHER D. 4 INX	1,00			--
0023	VTDD00055		NUT M 4 ATB A2	1,00			--
0024	VTVT00017		SCREW TE UNI 5739 8X35 ZB	2,00			--
0025	LAFN11014		PIN -	1,00			--
0026	LAFN11077		PLATE -	1,00			--
0027	VTVT01322		SCREW TSPEI 8X45 UNI5933 INX	2,00			--
0028	VTVT01297		SCREW M 5X10 TCB	7,00			--
0029	VTVR00335		TIE ROD -	1,00			--
0030	VTDD15521		NUT M 8 INX A2 UNI 5588	1,00			--
0031	VTVT01431		SCREW M8X40	1,00			--
0032	MPVR10765		SUPPORT FOR CLAMP	2,00			--
0033	FSVR00049		CLAMP 4,5x200 black	2,00			--
0034	VTRS00017		WASHER STEEL INOX 4X12	1,00			--
0035	VTRS15146		WASHER GROVER A2 UNI1751	4,00			--
0036	VTRS15919		WASHER D.12 GROVER UNI 1751 INX	1,00			--



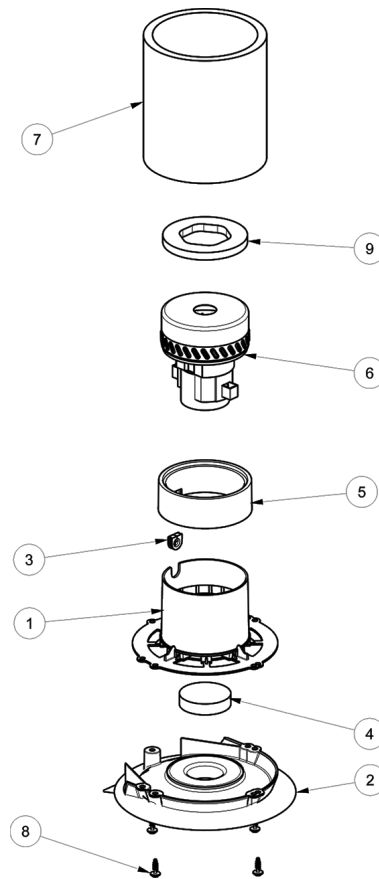
Ref. K	Part n.	Part n. 2	Description	Quantity	Validity		Price
					From	To	
0001	MFVR00235		SUPPORT PIVOT SQUEEGEE CT51-71	1,00			--
0002	MFVR00236		SUPPORT REGULATION SQUEEGEE CT51	1,00			--
0003	MFVR00237		SUPPORT SQUEEGEE CT51	1,00			--
0004	MPVR06468		KNOB SQUEEGEE ANGLE ADJUSTMENT	1,00			--
0005	VTRS13947		WASHER D. 8 INX UNI 6592	1,00			--
0006	VTDD01701		NUT M8 INOX+ZIN.	3,00			--
0007	VTDD01694		NUT M6 INOX	3,00			--
0008	VTVT01009		SCREW 8X60	1,00			--
0009	LAFN09439		BUSHING 13X16X51	1,00			--
0010	MLML00491		SPRING SQUEEGEE KNOB	1,00			--
0011	VTRS09142		WASHER UNI 6593 12X36X2,5	1,00			--
0012	VTVT01437		SCREW TE M6x100	1,00			--
0013	LAFN09417		PIN FOR SQUEEGEE SUPPORT CT51	1,00			--
0014	VTRS00382		WASHER -	2,00			--
0015	VTRS13945		WASHER D. 6X18 INX UNI 6593	1,00			--
0016	VTAE00012		SEEGER RADIALE UNI 7434 D.10	2,00		30/05/2021	--
0016	VTAE00077		SEEGER RADIALE TIPO H UNI7434 D8	2,00	31/05/2021		--
0017	VTRS00274		WASHER NYLON 66 D.8,4-17-2 UNI	2,00			--
0018	VTRS00251		WASHER 4-16 INOX A2	1,00			--
0019	LAFN09231		BRACKET M6X11X29	1,00			--
0020	MLML00490		SPRING -	1,00			--
0021	VTVT01585		SCREW 4X70 UNI 5933	1,00			--
0022	VTDD15925		NUT M 4 INX+ZN	1,00			--
0023	TBBP00746		HOSE 6X9 L=6MM	2,00			--
0024	MPVR06069		WASHER 15X40	1,00			--
0025	VTVT00305		SCREW HEX HEAD M12 UNI5737 8.8	1,00		19/01/2020	--
0025	VTVT01502		SCREW M12X100 UNI5737 ZN 8.8	1,00	20/01/2020		--
0026	VTRS88000		WASHER ELAST.ONDUL.DI 13	1,00			--
0027	MTCR00107		CHAIN SQUEEGEE LIFTING CT51	1,00			--
0028	VTRS00017		WASHER STEEL INOX 4X12	1,00	23/05/2018		--
0029	VTRS15978		WASHER D.12X24 UNI 6592 INX	2,00	20/01/2020		--



Ref. K	Part n.	Part n. 2	Description	Quantity	Validity		Price
					From	To	
0001	LAFN09431		BRACKET -	1,00			--
0002	LAFN11042		LEVER -	1,00			--
0003	VTRS00245		WASHER D.6 UNI 6592 INOX	6,00			--
0004	VTVT13939		SCREW TE 6X20 UNI5739 INX	3,00			--
0005	VTDD15518		NUT M 6 INX	3,00			--
0006	MOCC00448		ACTUATOR CT51-71 XP	1,00			--
0007	VTRS13947		WASHER D. 8 INX UNI 6592	1,00			--
0008	VTVT01009		SCREW 8X60	1,00			--
0009	VTVR00634		PIN 8X40X2	1,00			--
0010	VTDD01701		NUT M8 INOX+ZIN.	2,00			--
0011	VTRS00274		WASHER NYLON 66 D.8,4-17-2 UNI	4,00			--
0012	MLML00349		SPRING -	1,00			--
0013	MLML00479		SPRING -	1,00			--
0014	LAFN11051		PIN ACTUATOR BRUSH HEAD CT51	1,00			--
0015	VTAE00013		SEEGER RADIALE UNI 7434 D.8	2,00			--
0016	VTVR47052		SPLIT PIN AR DIAM.FILO 2	1,00			--
0017	LAFN11009		SPACER -	1,00			--
0018	CMCV00399		CABLE -	1,00			--
0019	VTRS13946		WASHER D. 8 X24 INX UNI 6593	1,00			--
0020	VTVT00842		SCREW	1,00			--
0021	MPVR11573		GUIDE CT51-71	1,00			--

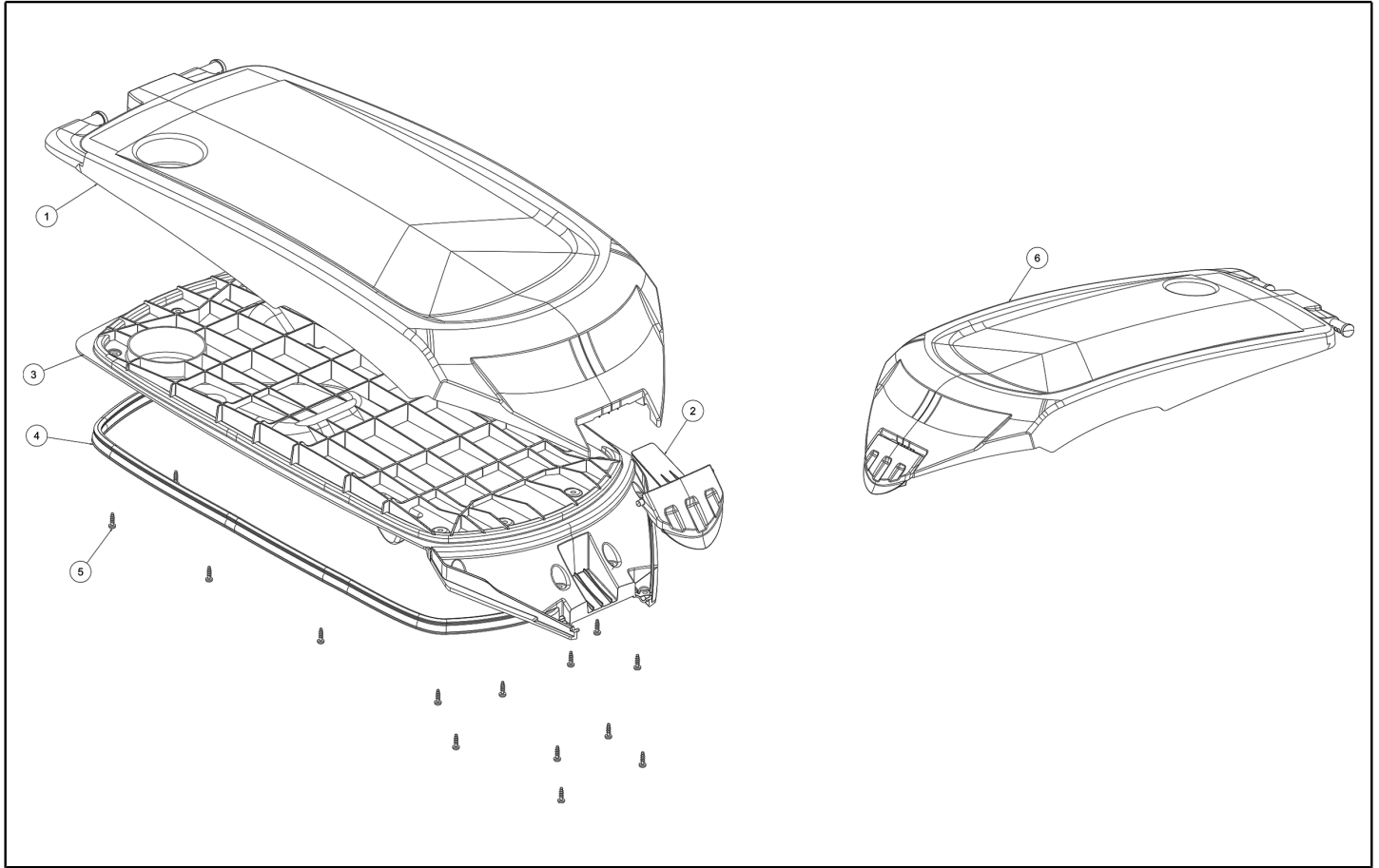


Ref. K	Part n.	Part n. 2	Description	Quantity	Validity		Price
					From	To	
0001	MOCC00465		MOTOR TRACTION 24V 200W	1,00			--
0001	MOCC00022		CARBON FOR MOCC86902-MOCC00395	2,00			--
0002	LAFN09453		SUPPORT TRACTION MOTOR CT51	2,00			--
0003	VTAE06193		CIRCLIP D. 20 UNI 7435	2,00			--
0004	RTRT00546		WHEEL D.200	2,00			--
0005	VTRS13947		WASHER D. 8 INX UNI 6592	4,00			--
0006	VTVT01589		SCREW M8X40 UNI933 A2	2,00			--
0007	VTDD01701		NUT M8 INOX+ZIN.	6,00			--
0008	VTVT15916		SCREW TE M 8X 16 UNI 5739 A2	4,00			--
0009	VTVR00566		KEY 6X10X40 UNI 6604 A (H.10)	2,00			--
0010	VTRS15146		WASHER GROVER A2 UNI1751	2,00			--
0011	VTRS13946		WASHER D. 8 X24 INX UNI 6593	2,00			--
0012	MPVR10760		FLAP TRACTION MOTOR CT51	1,00			--
0013	VTVT01300		SCREW TE M5X12 INOX	4,00			--
0014	VTVT00992		SCREW M8x55 INOX	2,00			--
0015	VTRS13750		WASHER D. 5X14 INX	4,00			--
0016	VTDD01693		NUT M 5 INX	4,00			--
0017	VTVT00813		SCREW M 4X 8 TCB-TC UNI 8112	2,00			--

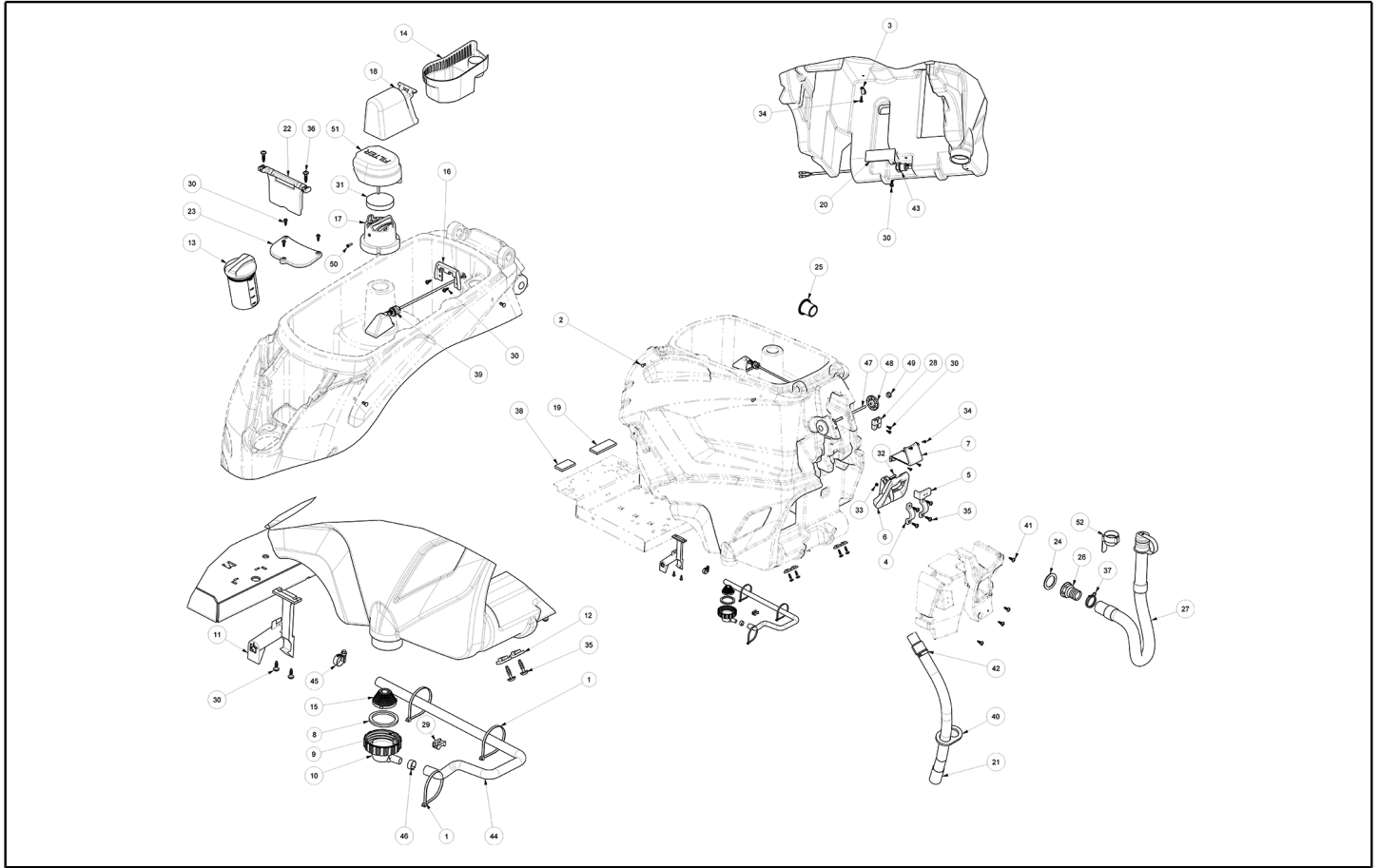


Ref. K	Part n.	Part n. 2	Description	Quantity	Validity		Price
					From	To	
0001	MPVR06466		SUPPORT VACUUM MOTOR 2 ST.CT51-71	1,00		11/11/2023	--
0001	MPVR13522		BAFFLE .	1,00	12/11/2023		--
0002	MPVR06480		COVERING VACUUM MOTOR CT51-71	1,00			--
0003	GUGO00496		FAIR-LEAD 14-747	1,00		04/09/2023	--
0004	FTAC00072		FILTER VACUUM INTAKE CT51	1,00		04/07/2018	--
0005	GUGO00466		GASKET RUBBER VACUUM MOT. CT51	1,00		04/09/2023	--
0005	GUGO00733		GASKET -	1,00	05/09/2023		--
0006	MOCC00417		MOTOR VACUUM 24 2-STAGES	1,00		04/07/2018	--
0006	MEVR02377		CARBON BRUSHES FOR MOCC00401-407	1,00		04/07/2018	--
0006	MOCC00349		MOTOR VACUUM 2 STAGES 24V	1,00	05/07/2018		--
0006	MEVR05200		CARBON BRUSH VACUUM 116599-XX	1,00	05/07/2018		--
0007	ITSO00076		SOUND-PROOFING VAC. MOTOR EXTERNAL	1,00			--
0008	VTVT01427		SCREW STS KN1038 8x25 - T40 A2	4,00			--
0009	GUGO00509		GASKET VACUUM MOTOR CT51-71	1,00			--

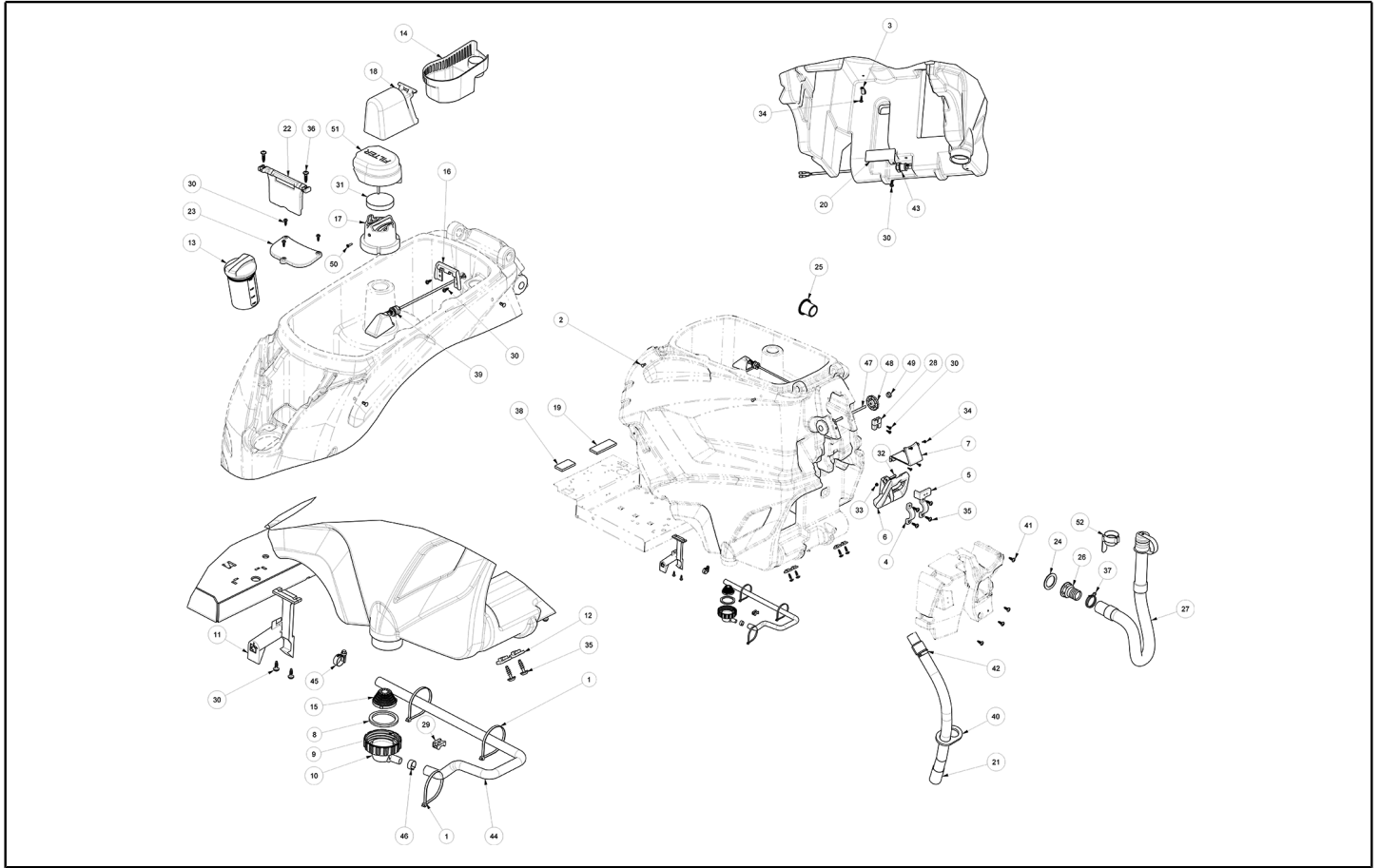




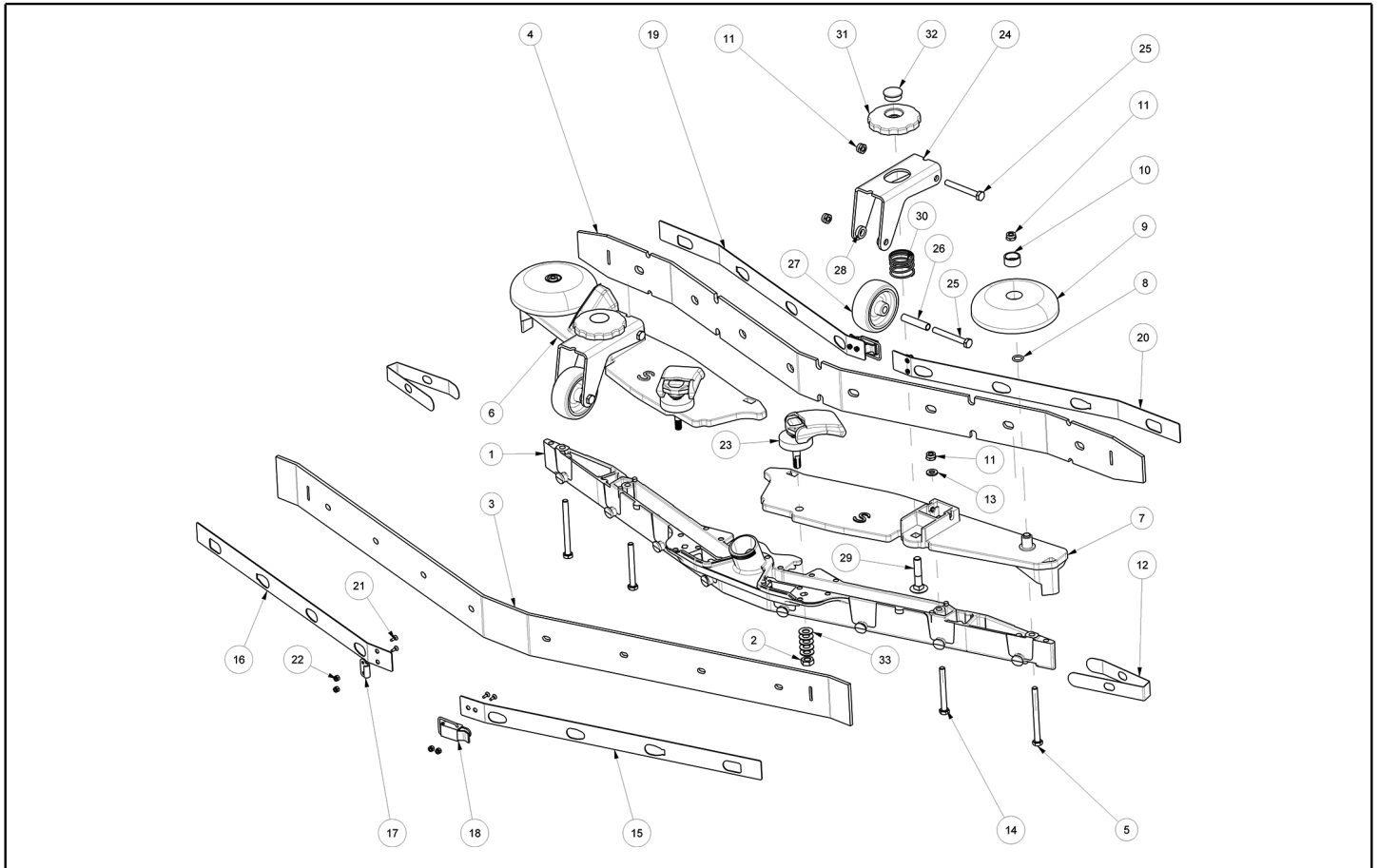
Ref. K	Part n.	Part n. 2	Description	Quantity	Validity		Price
					From	To	
0001	MPVR06476		COVER RECOVERY TANK EXTERNAL	1,00			--
0002	MPVR06477		LEVER CLOSURE LID CT51	1,00			--
0003	MPVR10696		COVER RECOVERY TANK INTERNAL	1,00			--
0004	GUVR01019		GASKET RECOVERY TANK LID CT51-71	1,00			--
0005	VTVT01072		SCREW STS KN1038 5x16 - T20 A2	17,00			--
0006	KTRI05239		KIT COVER RECOVERY TANK	1,00			--



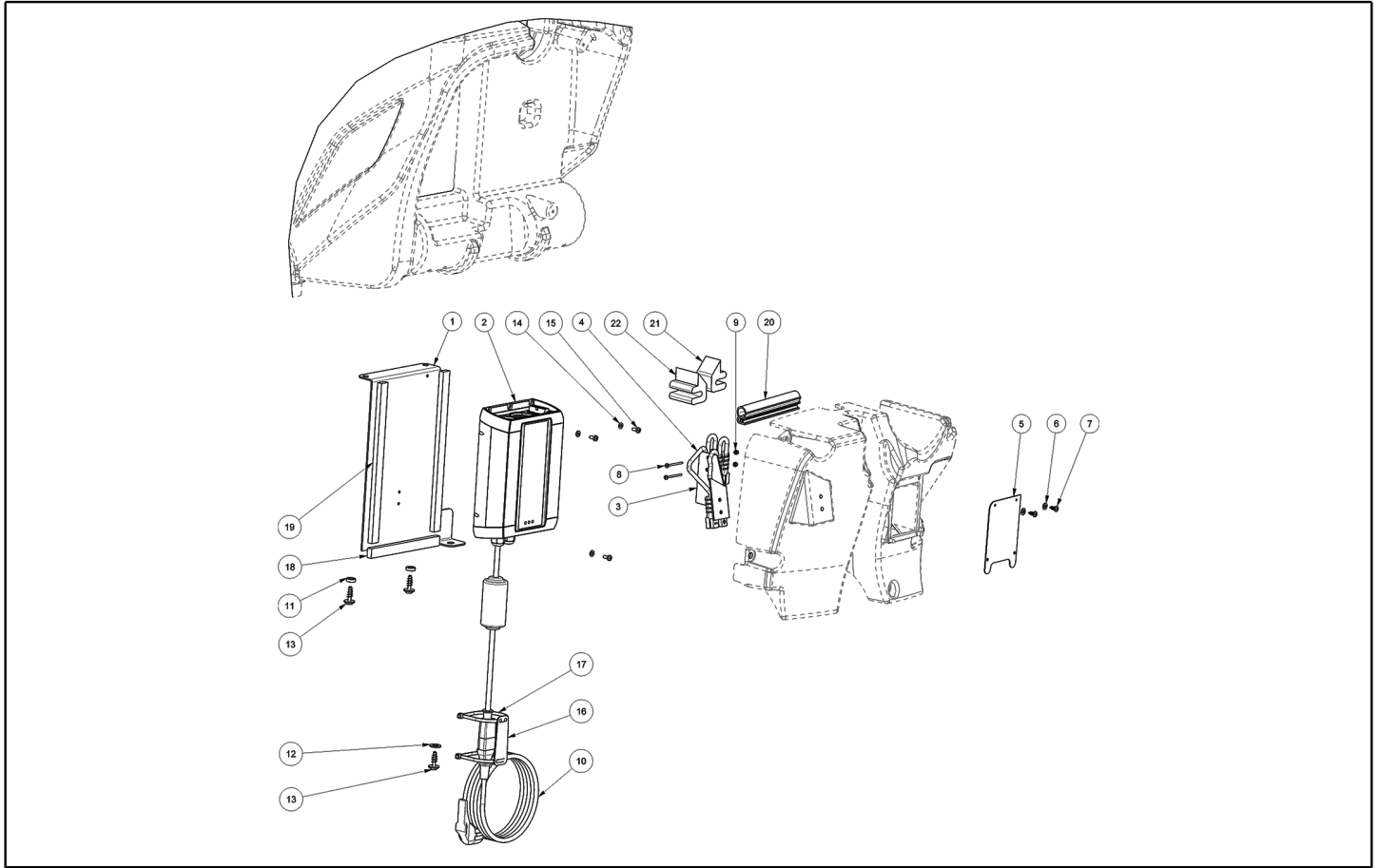
Ref. K	Part n.	Part n. 2	Description	Quantity	Validity		Price
					From	To	
0001	FSVR00049		CLAMP 4,5x200 black	3,00			--
0002	MPVR11355		CLIP	2,00			--
0003	MPVR02933		DUCT LOCK D.9,5	1,00			--
0004	MPVR06470		PLATE -	1,00			--
0005	MPVR10564		SUPPORT -	1,00			--
0006	MPVR06469		HANDLE SQUEEGEE LIFTING CT51-71	1,00			--
0007	MPVR10571		FLANGE -	1,00			--
0008	GUGO00478		GASKET SOLUTION FILTER CT51	1,00			--
0009	MPVR06561		CAP SOLUTION TANK CT51-71	1,00			--
0010	MPVR10566		HOSE FITTING SOLUTION FILTER CT51	1,00			--
0011	MPVR06475		LEVER TANK LOCKING CT51	1,00			--
0012	MPVR10562		SLIDE -	4,00			--
0013	MPVR11497		CAP SOLUTION TANK	1,00			--
0014	MPVR06490		FILTER DEBRIS COLLECTOR	1,00			--
0015	MPVR10565		FILTER SOLUTION TANK CT51-71	1,00			--
0016	MPVR10576		SUPPORT -	1,00			--
0017	MPVR11676		SUPPORT FILTER CT51-71	1,00			--
0018	MPVR06560		PROTECTION	1,00			--
0019	MPVR11766		THICKNESS 110X40X8,5	1,00			--
0020	LAFN11043		BRACKET -	1,00			--
0021	TBFX00353		TUBE SUCTION CT40-51-55-70-90	1,00			--
0022	MPVR10731		SUPPORT -	1,00			--
0023	MPVR10732		COVERING HOUSING CHEM TANK	1,00			--
0024	GUGO00216		GASKET TANK DRAIN HOSE CUFF	1,00			--
0025	RCVR00339		CONNECTOR RIF .220.060	1,00			--
0026	RCVR01103		CONNECTOR 1"1/2F d.45	1,00			--
0027	TBFX01069		TUBE DRAIN RECOVERY TANK CT51-	1,00			--
0028	MPVR11684		JOINT TUBO	1,00			--
0029	MPVR10765		SUPPORT FOR CLAMP	1,00			--
0030	VTVT01073		SCREW STS KN1039 6x16 - T25 A2	10,00			--
0031	FTDP00678		FILTER VACUUM MOTOR CT51	1,00			--
0032	VTVT01714		SCREW TBEI 6X30	1,00			--
0033	VTDD01694		NUT M6 INOX	1,00			--
0034	VTVT01072		SCREW STS KN1038 5x16 - T20 A2	5,00			--
0035	VTVT01427		SCREW STS KN1038 8x25 - T40 A2	8,00			--
0036	VTVT01429		SCREW STS KN1038 8x30 - T40 A2	2,00			--
0037	FSVR00262		CLAMP	1,00			--
0038	MPVR11767		THICKNESS 75X40X8,5	1,00			--
0039	MECI00662		SENSOR LEVEL	1,00	21/06/2018		--
0040	MPVR04659		FLANGE	1,00			--
0041	VTVT01430		SCREW STS KN1038 8x22 - T40 A2	4,00			--
0042	MPVR06119		CLAMP INDICATION , YELLOW	1,00			--
0043	MECI00592		SENSOR SOLUTION TANK CT51-71	1,00			--
0044	TBFX48011		HOSE FLEX D.12X3 ARMORV.PVC TR	1,00			--



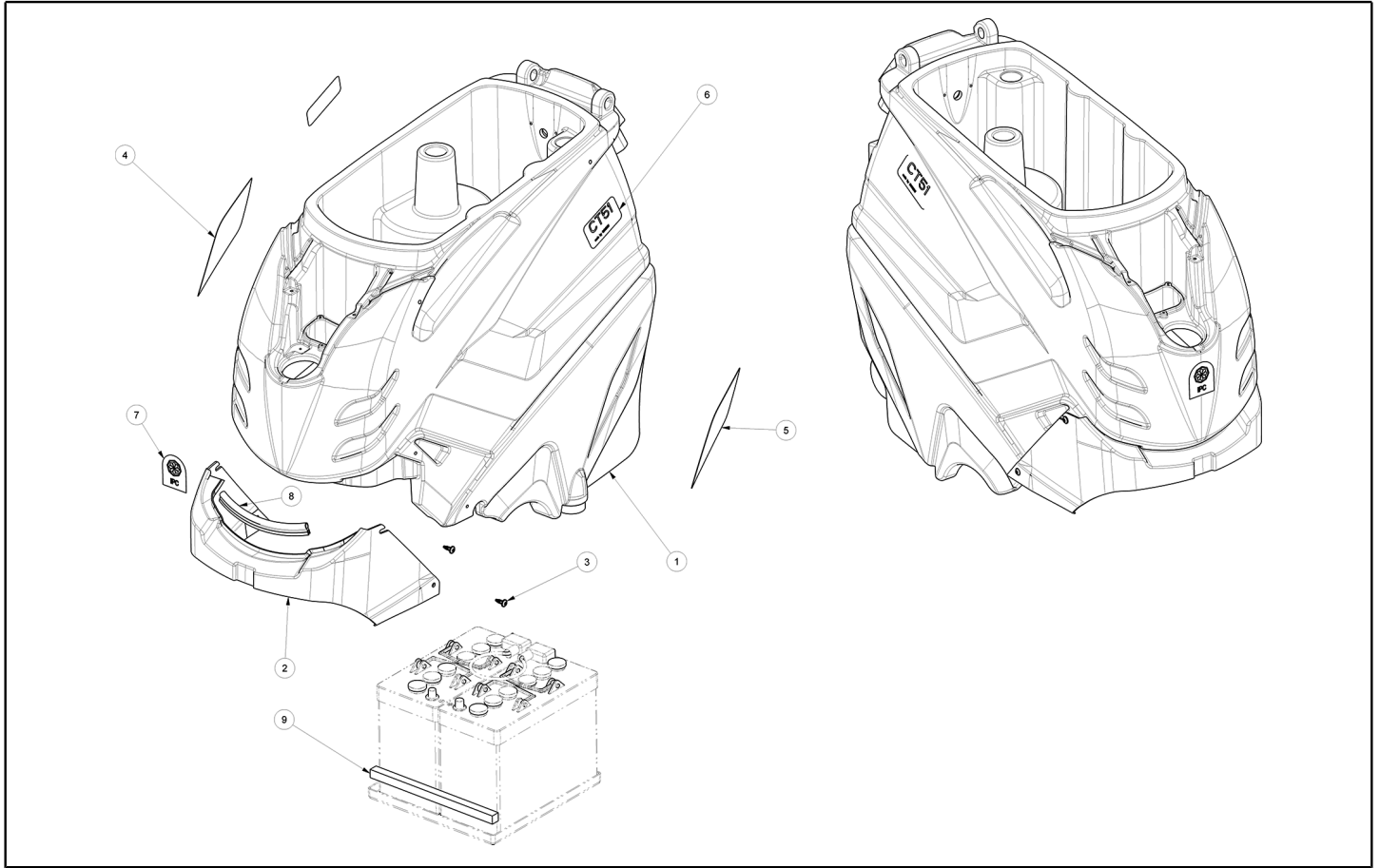
Ref. K	Part n.	Part n. 2	Description	Quantity	Validity		Price
					From	To	
0045	FSVR00428		CLAMP D. 12-20 IX	1,00			--
0046	FSVR00261		CLAMP	1,00			--
0047	VTVR01001		BAR	1,00			--
0048	MPVR06478		SMALL KNOB WHEEL ADJUSTMENT	2,00			--
0049	MPVR06479		CAP POMELLO	2,00			--
0050	VTVT00835		SCREW 4.5-20 DIN 7505-A INOX	1,00			--
0051	MPVR11641		COVERING FILTER CT51	1,00			--
0052	MPVR01097		HOOK DRAIN HOSE	1,00			--



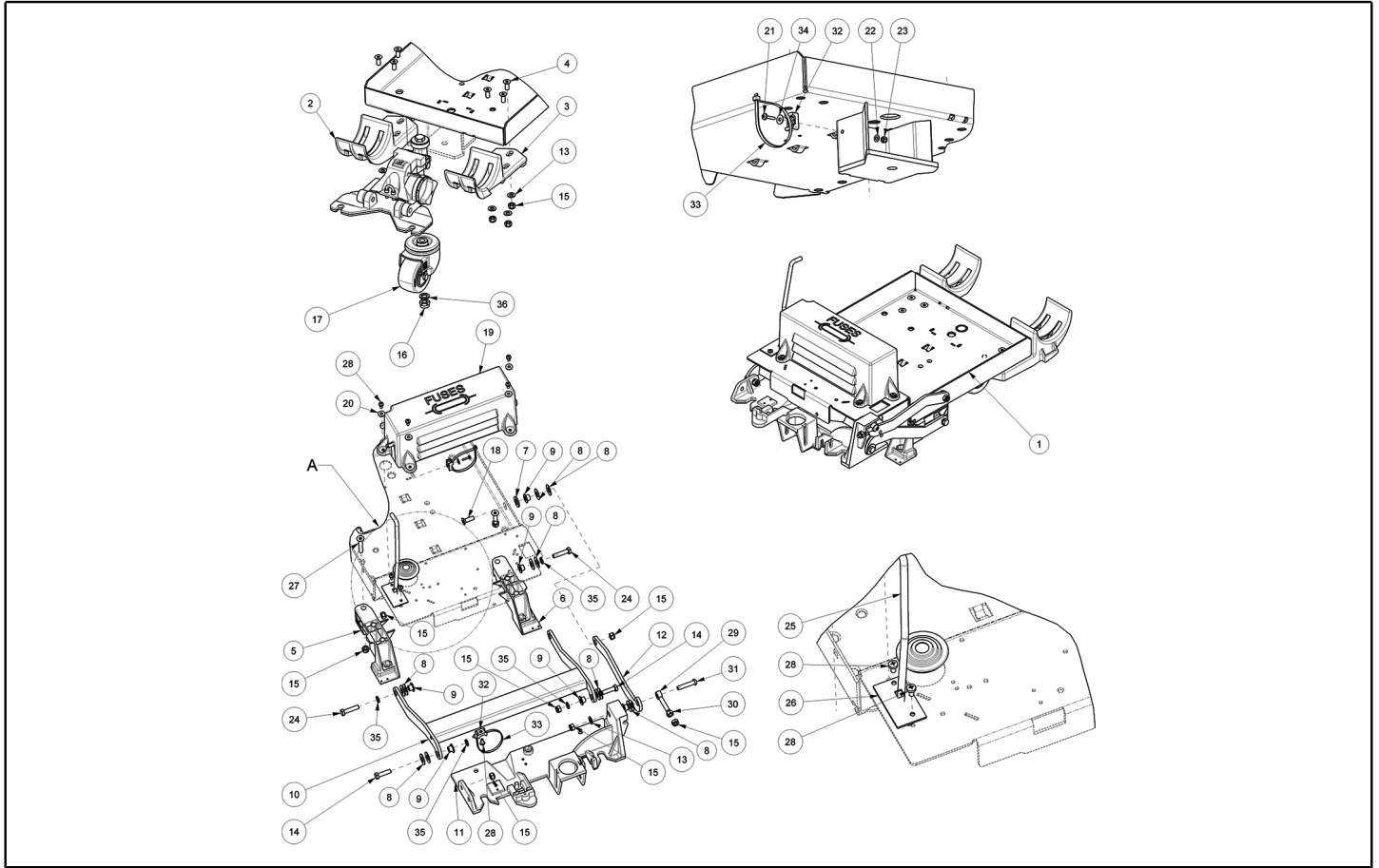
Ref. K	Part n.	Part n. 2	Description	Quantity	Validity		Price
					From	To	
0001	MFVR00319		FRAME SQUEEGEE S-SIZE	1,00			--
0002	VTDD00530		NUT M8 UNI 5589	2,00			--
0003	MPVR08035		BLADE S LATEX	1,00			--
0004	MPVR08039		BLADE S LATEX	1,00			--
0005	VTVT00699		SCREW TE M. 6-70	2,00			--
0006	MPVR06491		PLATE -	1,00			--
0007	MPVR06492		PLATE -	1,00			--
0008	GUGO00164		GASKET	2,00			--
0009	MPVR05290		ROLLER SIDE BUMPER WHEEL	2,00			--
0010	MPVR49229		BUSHING SHK	2,00			--
0011	VTDD01694		NUT M6 INOX	8,00			--
0012	MPVR05897		CLOSURE S	2,00			--
0013	VTRS00245		WASHER D.6 UNI 6592 INOX	2,00			--
0014	VTVT00655		SCREW TE M. 6-55	2,00			--
0015	LAFN09281		SHEET METAL PA. -	1,00			--
0016	LAFN09283		BLADE HOLDER S SIZE POST. LEFT	1,00			--
0017	LAFN09301		SOCKET -	2,00			--
0018	LAFN09302		CLOSURE -	2,00			--
0019	LAFN09280		SHEET METAL PA. -	1,00			--
0020	LAFN09279		BLADE HOLDER S SIZE ANT. RIGHT	1,00			--
0021	VTVT01070		SCREW TSTC M3X8	8,00			--
0022	VTDD00210		NUT M 3 AUTOBL.DIN 985 IX.A2	8,00			--
0023	PMVR06995		HOOKING SQUEEGEE CT51-71	2,00			--
0024	LAFN09471		SUPPORT CASTOR WHEEL NEW	2,00			--
0025	VTVT15515		SCREW TE M 6X 50 INOX A2	4,00			--
0026	LAFN07534		SPACER 6x8 h37,5	2,00			--
0027	RTRT00398		WHEEL d.60 HOLE 8	2,00			--
0028	VTRS00383		WASHER -	4,00			--
0029	VTVT01304		SCREW M 8X 40 TTQST UNI 5731	2,00			--
0030	MLML00473		SPRING -	2,00			--
0031	KTRI05357		HANDLE ADJUSTMENT KNOB KIT T291-	2,00			--
0032	KTRI05357		HANDLE ADJUSTMENT KNOB KIT T291-	2,00			--
0033	MLML00493		DISC SPRINGS 16x8,2x0,9 DIN 2093	10,00	14/12/2017		--



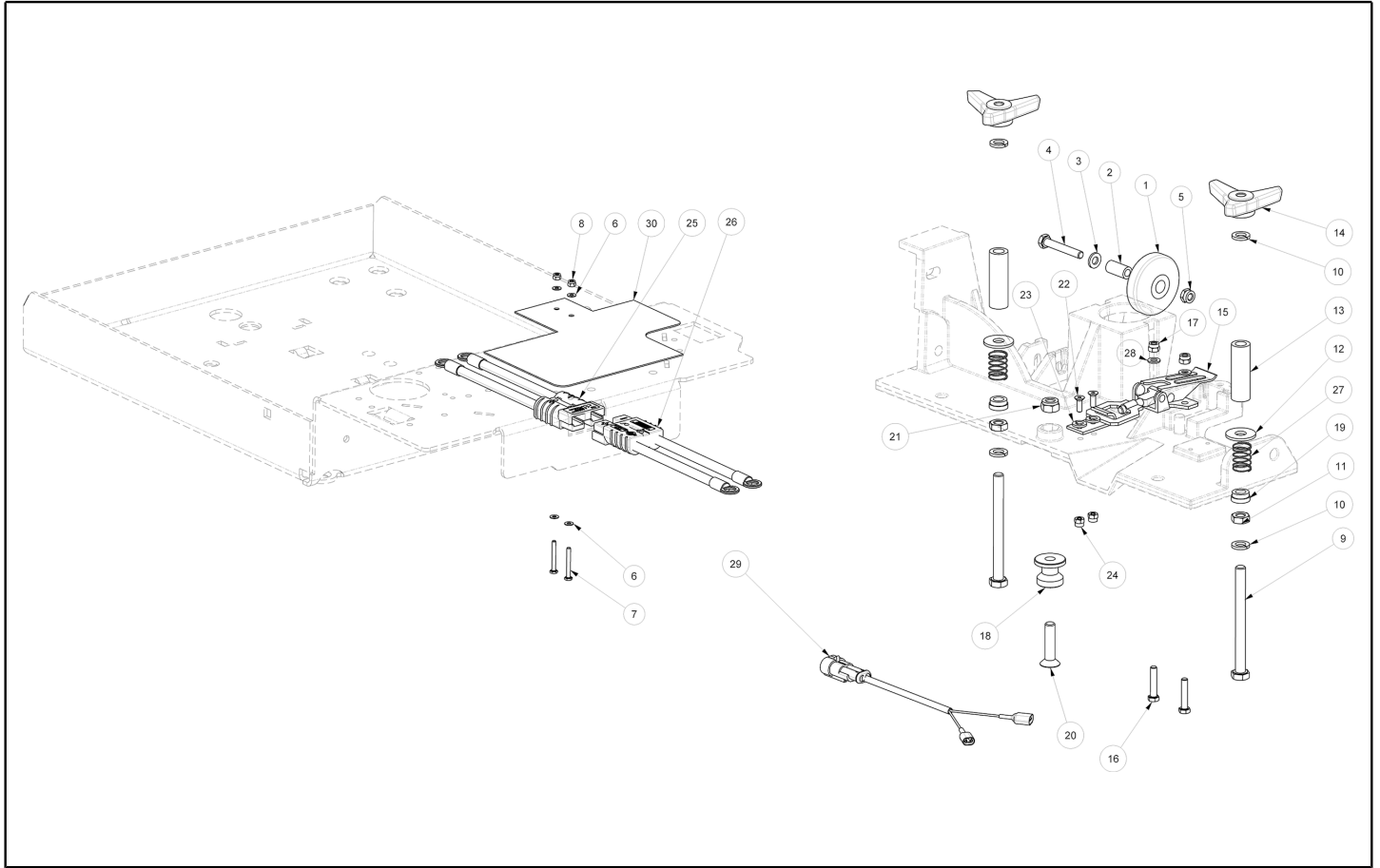
Ref. K	Part n.	Part n. 2	Description	Quantity	Validity		Price
					From	To	
0001	LAFN08235		PLATE -	1,00			--
0002	BACA00190		BATTERY-CHARGER CBHD1-XR 24-13	1,00			--
0003	LAFN11046		BRACKET -	1,00			--
0004	MECB01964		WIRING CONNECTION CHARGER/BATT.	1,00			--
0005	MPVR10745		PROTECTION TRANSPARENT POWER CORD	1,00			--
0006	VTRS00516		WASHER D. 5 INX	2,00			--
0007	VTVT48694		SCREW TCB TC 5 X12 UNI 9707 TZ	2,00			--
0008	VTVT00691			2,00			--
0009	VTDD00210		NUT M 3 AUTOBL.DIN 985 IX.A2	2,00			--
0010	MECB00922		EXTENSION 3x0,75 SHUKO PLUG	1,00			--
0011	VTRS00383		WASHER -	2,00			--
0012	VTRS13947		WASHER D. 8 INX UNI 6592	1,00			--
0013	VTVT01430		SCREW STS KN1038 8x22 - T40 A2	3,00			--
0014	VTRS00515		WASHER D. 4 INX	3,00			--
0015	VTVT21887		SCREW TCB-TC 4X10 8112	3,00			--
0016	MPVR11197		PLATE POWER CORD HOLDER	1,00			--
0017	FSVR00049		CLAMP 4.5x200 black	2,00			--
0018	GUGO00589		GASKET CT51	1,00			--
0019	GUGO00590		GASKET CT51	2,00			--
0020	GUVR00624		GASKET L=0,12MT	1,00			--
0021	GUGO00110		GASKET COPERCHIO SERBATOIO	0,03	24/05/2022		--
0022	GUGO00110		GASKET COPERCHIO SERBATOIO	0,04	24/05/2022		--



Ref. K	Part n.	Part n. 2	Description	Quantity	Validity		Price
					From	To	
0001	MPVR06473		TANK CT51 GREEN	1,00			--
0002	MPVR11769		COVERING MOTOR	1,00			--
0003	VTVT01430		SCREW STS KN1038 8x22 - T40 A2	4,00			--
0004	ETET20201		LABEL -	1,00			--
0005	ETET20202		LABEL -	1,00			--
0006	ETET20203		LABEL CT51	2,00			--
0007	ETET20091		LABEL -	1,00			--
0008	GUVR00160		GASKET RUBBERIZED	0,24			--
0009	MPVR12029		SPACER .	1,00			--

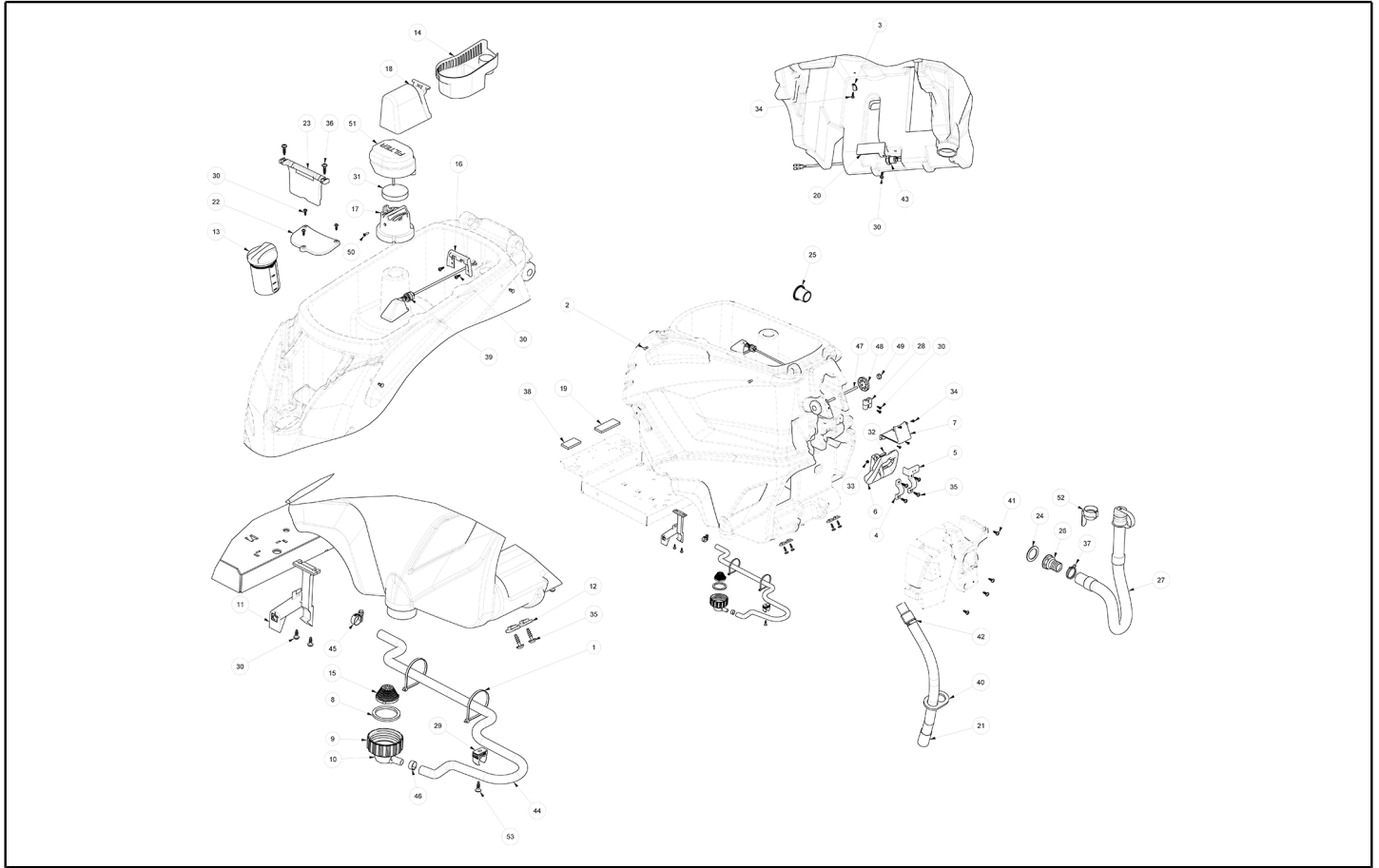


Ref. K	Part n.	Part n. 2	Description	Quantity	Validity		Price
					From	To	
0001	LAFN09477		FRAME CT50/70	1,00			--
0002	MFVR00286		SUPPORT -	1,00			--
0003	MFVR00287		SUPPORT -	1,00			--
0004	VTVT01352		SCREW TSPEI M8X20	6,00			--
0005	MFVR00283		SUPPORT -	1,00			--
0006	MFVR00284		SUPPORT -	1,00			--
0007	VTRS15978		WASHER D. 12X24 UNI 6592 INX	1,00			--
0008	MLML00095		DISC SPRINGS 12,2x25x0,9 DIN 2093	12,00			--
0009	LAFN10998		BUSHING -	6,00			--
0010	LAFN09420		ARM -	1,00			--
0011	MFVR00240		BRACKET BRUSH HEAD SUPPORT CT51	1,00			--
0012	LAFN09421		LEVER -	1,00			--
0013	VTRS13947		WASHER D. 8 INX UNI 6592	7,00			--
0014	VTVT00140		SCREW TE M8x30	2,00			--
0015	VTDD01701		NUT M8 INOX+ZIN.	15,00			--
0016	VTDD00176		NUT M.12 INOX A2 BASSO AUTOB.	1,00			--
0017	RTRT00518		WHEEL CASTOR D.80X30	1,00			--
0018	VTVT00781		SCREW TSPEI M.8-25	1,00			--
0019	MPVR06505		COVERING ELECTRONIC BOX CT51	1,00			--
0020	VTRS13750		WASHER D. 5X14 INX	4,00			--
0021	VTVT01366		SCREW M4X16	1,00			--
0022	VTRS00515		WASHER D. 4 INX	1,00			--
0023	VTDD00055		NUT M 4 ATB A2	1,00			--
0024	VTVT00017		SCREW TE UNI 5739 8X35 ZB	2,00			--
0025	LAFN11014		PIN -	1,00			--
0026	LAFN11077		PLATE -	1,00			--
0027	VTVT01322		SCREW TSPEI 8X45 UNI5933 INX	2,00			--
0028	VTVT01297		SCREW M 5X10 TCB	7,00			--
0029	VTVR00335		TIE ROD -	1,00			--
0030	VTDD15521		NUT M 8 INX A2 UNI 5588	1,00			--
0031	VTVT01431		SCREW M8X40	1,00			--
0032	MPVR10765		SUPPORT FOR CLAMP	2,00			--
0033	FSVR00049		CLAMP 4,5x200 black	2,00			--
0034	VTRS00017		WASHER STEEL INOX 4X12	1,00			--
0035	VTRS15146		WASHER GROVER A2 UNI1751	4,00			--
0036	VTRS15919		WASHER D.12 GROVER UNI 1751 INX	1,00			--

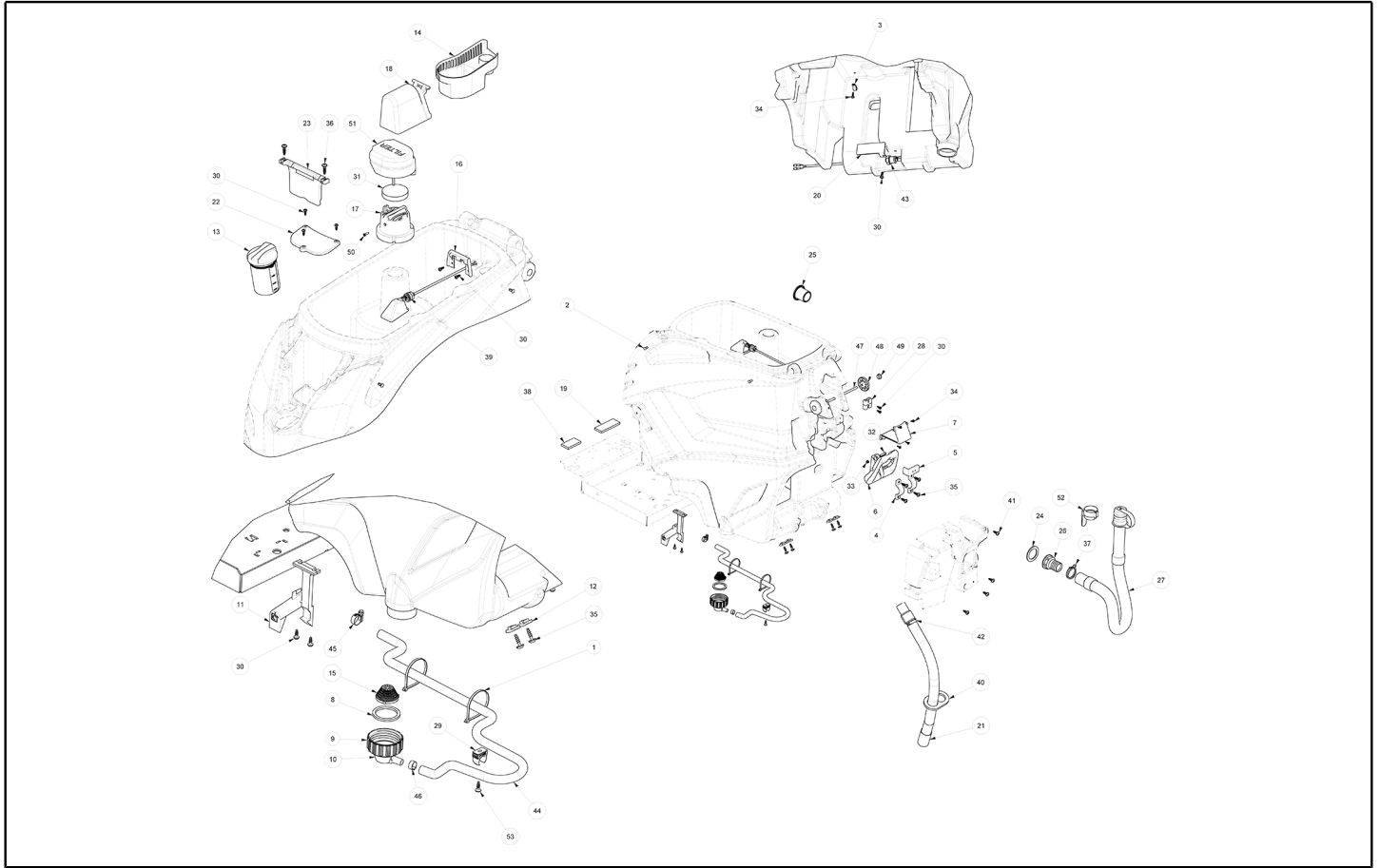


Ref. K	Part n.	Part n. 2	Description	Quantity	Validity		Price
					From	To	
0001	RTRT00576		WHEEL D.50X17 - HOLE 10.5	1,00			--
0002	MPVR06501		SPACER	1,00			--
0003	VTRS00245		WASHER D.6 UNI 6592 INOX	1,00			--
0004	VTVT15145		SCREW TE 6X40 UNI5739 INX	1,00			--
0005	VTDD01694		NUT M6 INOX	1,00			--
0006	VTRS21116		WASHER D. 3 INX	4,00			--
0007	VTVT00021		SCREW TE UNI 5739 3X25 ZB	2,00			--
0008	VTDD00210		NUT M 3 AUTOBL.DIN 985 IX.A2	2,00			--
0009	VTVT01321		SCREW TE 8X90 UNI5739	2,00			--
0010	VTRS15146		WASHER GROVER A2 UNI1751	4,00			--
0011	VTDD00057		NUT UNI 5589 M8 BASSO ZB	2,00			--
0012	VTRS13946		WASHER D. 8 X24 INX UNI 6593	2,00			--
0013	LAFN11002		SPACER -	2,00			--
0014	MPVR04164		SMALL KNOB YELLOW M8 F	2,00			--
0015	LAFN09418		HOOK BRUSH HEAD CT51	1,00			--
0016	VTVT00766		SCREW TE M. 5-25	2,00			--
0017	VTDD15517		NUT M 5 INX	2,00			--
0018	LAFN09419		PIN -	1,00			--
0019	LAFN11089		SPACER -	2,00			--
0020	VTVT00427		SCREW TSPEI 8X35 UNI5933 INX	1,00			--
0021	VTDD01701		NUT M8 INOX+ZIN.	1,00			--
0022	VTVT00474		SCREW TSCE uni 5933 4x12 ZB	2,00			--
0023	VTRS15144		WASHER D. 6 INX GRW UNI 1751	2,00			--
0024	VTDD15925		NUT M 4 INX+ZN	2,00			--
0025	MECB01947		WIRING BOARD BRUSH HEAD CT51-71	1,00			--
0026	MECB01946		WIRING BRUSH HEAD MOTORS CT51-71	1,00			--
0027	MLML00348		SPRING -	2,00			--
0028	VTRS00516		WASHER D. 5 INX	2,00			--
0029	MECB02066		WIRING THERMAL MOTOR BRUSH	1,00			--
0030	MPVR13727		PROTECTION .	1,00	14/03/2024		--

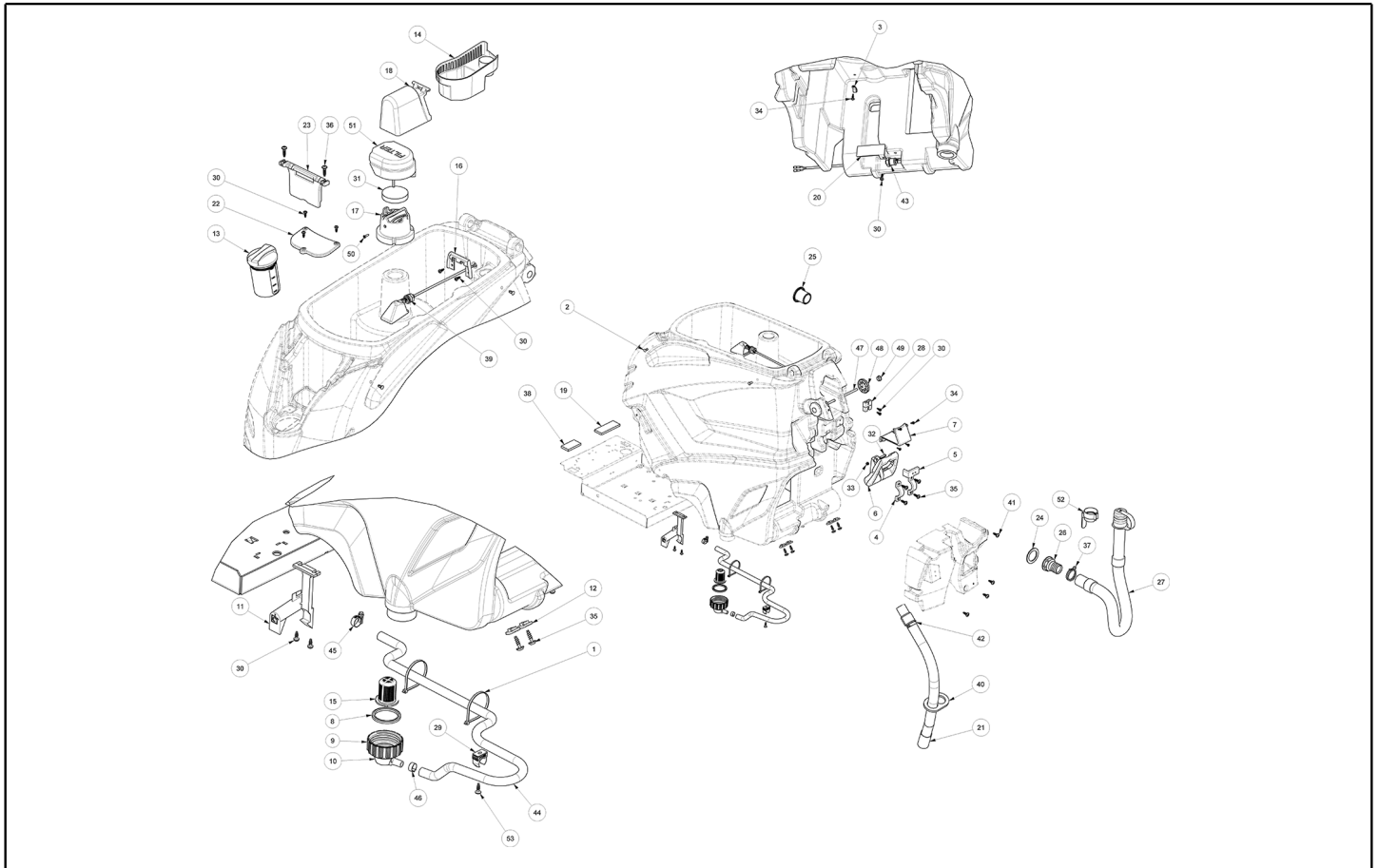




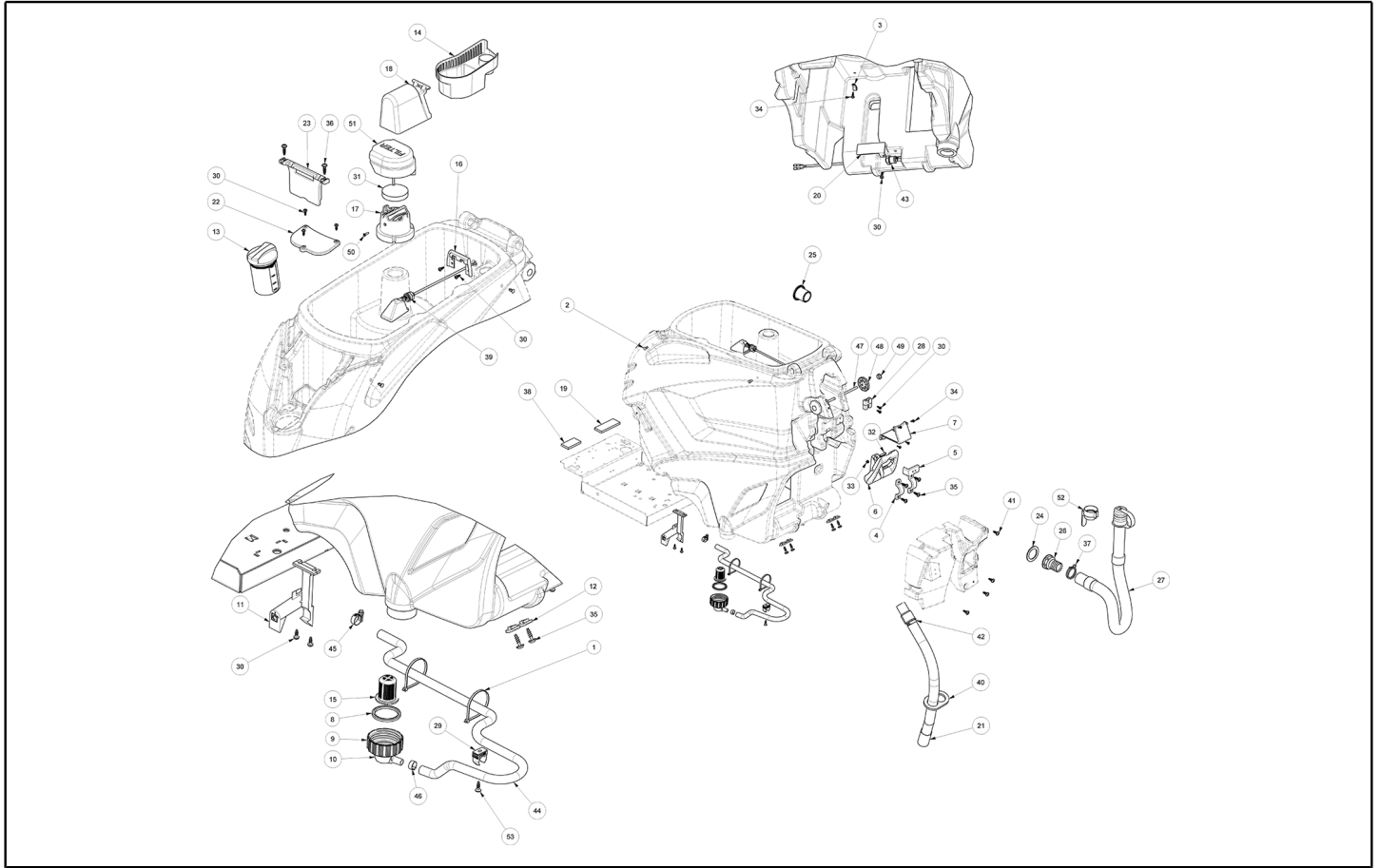
Ref. K	Part n.	Part n. 2	Description	Quantity	Validity		Price
					From	To	
0001	FSVR00049		CLAMP 4,5x200 black	2,00			--
0002	MPVR11355		CLIP	2,00			--
0003	MPVR02933		DUCT LOCK D.9,5	1,00			--
0004	MPVR06470		PLATE -	1,00			--
0005	MPVR10564		SUPPORT -	1,00			--
0006	MPVR06469		HANDLE SQUEEGEE LIFTING CT51-71	1,00			--
0007	MPVR10571		FLANGE -	1,00			--
0008	GUGO00478		GASKET SOLUTION FILTER CT51	1,00			--
0009	MPVR06561		CAP SOLUTION TANK CT51-71	1,00			--
0010	MPVR10566		HOSE FITTING SOLUTION FILTER CT51	1,00			--
0011	MPVR06475		LEVER TANK LOCKING CT51	1,00			--
0012	MPVR10562		SLIDE -	4,00			--
0013	MPVR11497		CAP SOLUTION TANK	1,00			--
0014	MPVR06490		FILTER DEBRIS COLLECTOR	1,00			--
0015	MPVR10565		FILTER SOLUTION TANK CT51-71	1,00			--
0016	MPVR10576		SUPPORT -	1,00			--
0017	MPVR11676		SUPPORT FILTER CT51-71	1,00			--
0018	MPVR06560		PROTECTION	1,00			--
0019	MPVR11766		THICKNESS 110X40X8,5	1,00			--
0020	LAFN11043		BRACKET -	1,00			--
0021	TBFX00353		TUBE SUCTION CT40-51-55-70-90	1,00		28/02/2024	--
0021	TBBP00402		TUBE TERGI D.40	1,00	29/02/2024		--
0022	MPVR10732		COVERING HOUSING CHEM TANK	1,00			--
0023	MPVR10731		SUPPORT -	1,00			--
0024	GUGO00216		GASKET TANK DRAIN HOSE CUFF	1,00			--
0025	RCVR00339		CONNECTOR RIF.220.060	1,00			--
0026	RCVR01103		CONNECTOR 1"1/2F d.45	1,00			--
0027	TBFX01069		TUBE DRAIN RECOVERY TANK CT51-	1,00			--
0028	MPVR11684		JOINT TUBO	1,00			--
0029	MPVR12708		CLIP .	1,00			--
0030	VTVT01073		SCREW STS KN1039 6x16 - T25 A2	10,00			--
0031	F TDP00678		FILTER VACUUM MOTOR CT51	1,00			--
0032	VTVT01714		SCREW TBEI 6X30	1,00			--
0033	VTDD01700		NUT M6 INOX+ZIN.	1,00			--
0034	VTVT01072		SCREW STS KN1038 5x16 - T20 A2	5,00			--
0035	VTVT01427		SCREW STS KN1038 8x25 - T40 A2	8,00			--
0036	VTVT01429		SCREW STS KN1038 8x30 - T40 A2	2,00			--
0037	FSVR00262		CLAMP	1,00			--
0038	MPVR11767		THICKNESS 75X40X8,5	1,00			--
0039	MECI00662		SENSOR LEVEL	1,00			--
0040	MPVR04659		FLANGE	1,00			--
0041	VTVT01430		SCREW STS KN1038 8x22 - T40 A2	4,00			--
0042	MPVR06119		CLAMP INDICATION , YELLOW	1,00			--
0043	MECI00592		SENSOR SOLUTION TANK CT51-71	1,00			--



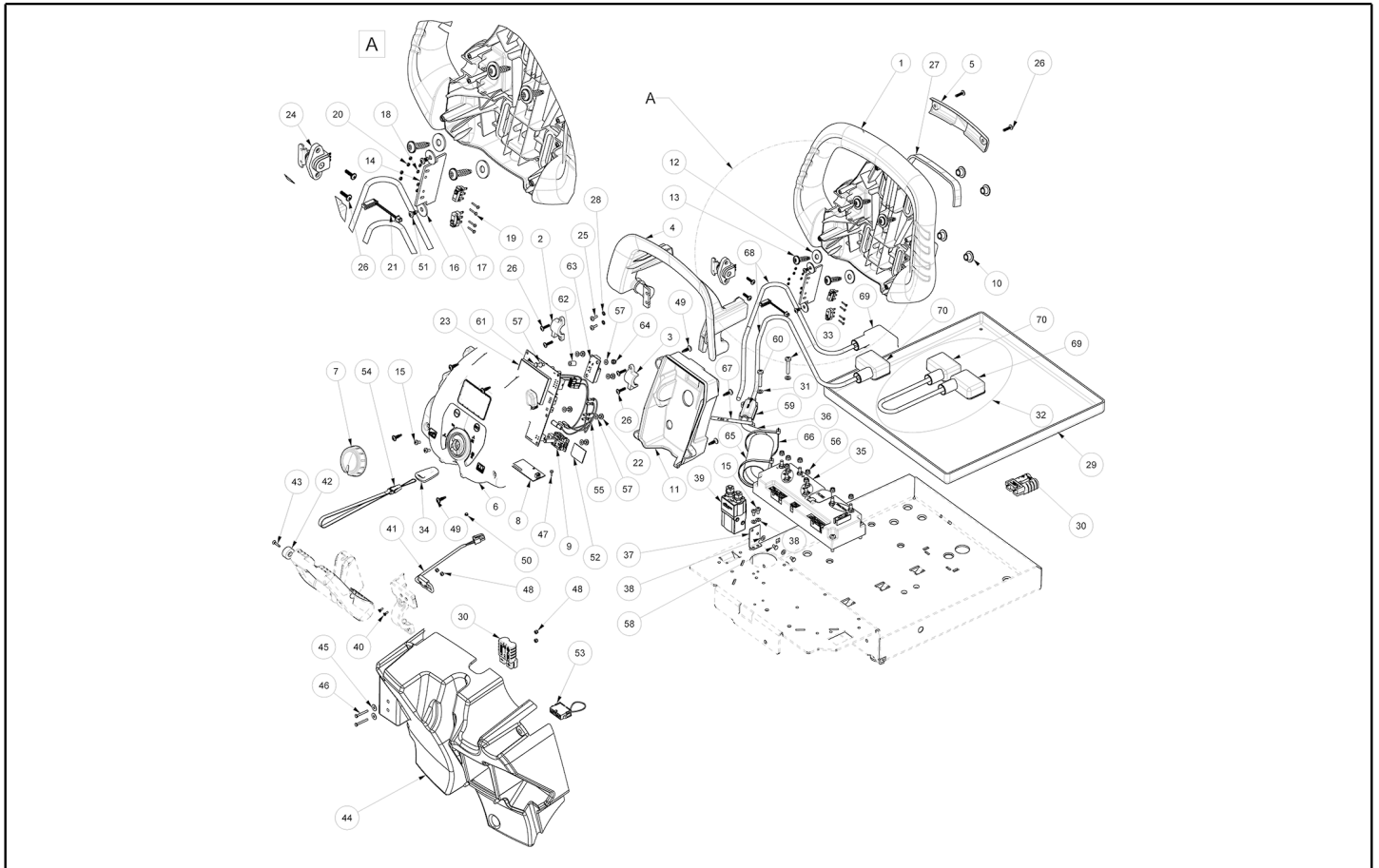
Ref. K	Part n.	Part n. 2	Description	Quantity	Validity		Price
					From	To	
0044	TBFX01379		HOSE METALFLEX / I D. 12	1,00			--
0045	FSVR00428		CLAMP D. 12-20 IX	1,00			--
0046	FSVR00261		CLAMP	1,00			--
0047	VTVR01001		BAR	1,00			--
0048	MPVR06478		SMALL KNOB WHEEL ADJUSTMENT	2,00			--
0049	MPVR06479		CAP POMELLO	2,00			--
0050	VTVT00835		SCREW 4.5-20 DIN 7505-A INOX	1,00			--
0051	MPVR11641		COVERING FILTER CT51	1,00			--
0052	MPVR01097		HOOK DRAIN HOSE	1,00			--
0053	VTVT01591		SCREW STS KN1038 6x20 - T25 A2	1,00			--



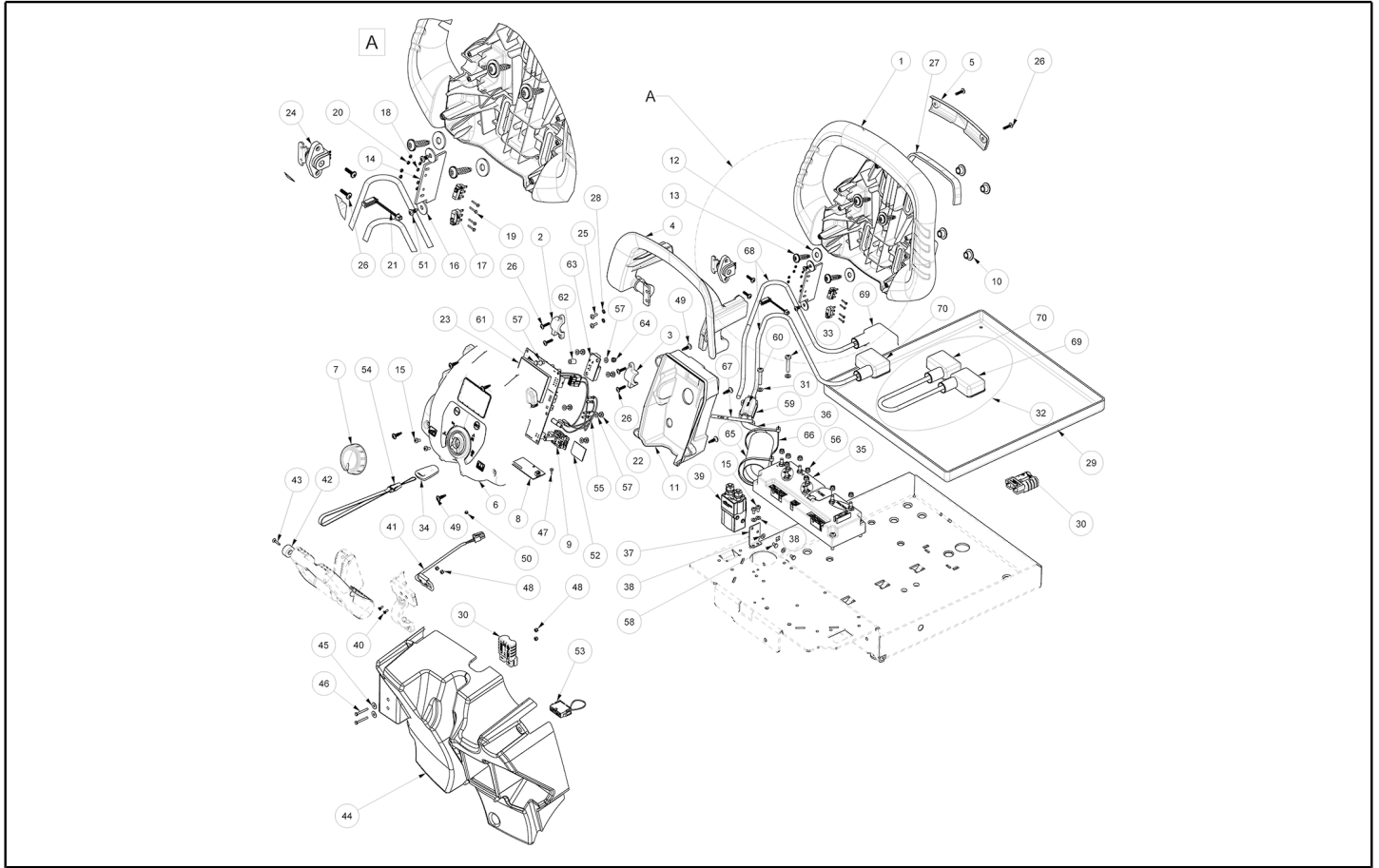
Ref. K	Part n.	Part n. 2	Description	Quantity	Validity		Price
					From	To	
0001	FSVR00049		CLAMP 4,5x200 black	2,00			--
0002	MPVR11355		CLIP	2,00			--
0003	MPVR02933		DUCT LOCK D.9,5	1,00			--
0004	MPVR06470		PLATE -	1,00			--
0005	MPVR10564		SUPPORT -	1,00			--
0006	MPVR06469		HANDLE SQUEEGEE LIFTING CT51-71	1,00			--
0007	MPVR10571		FLANGE -	1,00			--
0008	GUGO00764		GASKET -	1,00			--
0009	MPVR06561		CAP SOLUTION TANK CT51-71	1,00			--
0010	MPVR10566		HOSE FITTING SOLUTION FILTER CT51	1,00			--
0011	MPVR06475		LEVER TANK LOCKING CT51	1,00			--
0012	MPVR10562		SLIDE -	4,00			--
0013	MPVR11497		CAP SOLUTION TANK	1,00			--
0014	MPVR06490		FILTER DEBRIS COLLECTOR	1,00			--
0015	MPVR13717		FILTER	1,00			--
0016	MPVR10576		SUPPORT -	1,00			--
0017	MPVR11676		SUPPORT FILTER CT51-71	1,00			--
0018	MPVR06560		PROTECTION	1,00			--
0019	MPVR11766		THICKNESS 110X40X8,5	1,00			--
0020	LAFN11043		BRACKET -	1,00			--
0021	TBBP00402		TUBE TERGI D.40	1,00			--
0022	MPVR10732		COVERING HOUSING CHEM TANK	1,00			--
0023	MPVR10731		SUPPORT -	1,00			--
0024	GUGO00216		GASKET TANK DRAIN HOSE CUFF	1,00			--
0025	RCVR00339		CONNECTOR RIF .220.060	1,00			--
0026	RCVR01103		CONNECTOR 1"1/2F d.45	1,00			--
0027	TBFX01069		TUBE DRAIN RECOVERY TANK CT51-	1,00			--
0028	MPVR11684		JOINT TUBO	1,00			--
0029	MPVR12708		CLIP .	1,00			--
0030	VTVT01073		SCREW STS KN1039 6x16 - T25 A2	10,00			--
0031	FTDP00678		FILTER VACUUM MOTOR CT51	1,00			--
0032	VTVT01714		SCREW TBEI 6X30	1,00			--
0033	VTDD01700		NUT M6 INOX+ZIN.	1,00			--
0034	VTVT01072		SCREW STS KN1038 5x16 - T20 A2	5,00			--
0035	VTVT01427		SCREW STS KN1038 8x25 - T40 A2	8,00			--
0036	VTVT01429		SCREW STS KN1038 8x30 - T40 A2	2,00			--
0037	FSVR00262		CLAMP	1,00			--
0038	MPVR11767		THICKNESS 75X40X8,5	1,00			--
0039	MECI00662		SENSOR LEVEL	1,00			--
0040	MPVR04659		FLANGE	1,00			--
0041	VTVT01430		SCREW STS KN1038 8x22 - T40 A2	4,00			--
0042	MPVR06119		CLAMP INDICATION , YELLOW	1,00			--
0043	MECI00592		SENSOR SOLUTION TANK CT51-71	1,00			--
0044	TBFX01379		HOSE METALFLEX /I D. 12	1,00			--



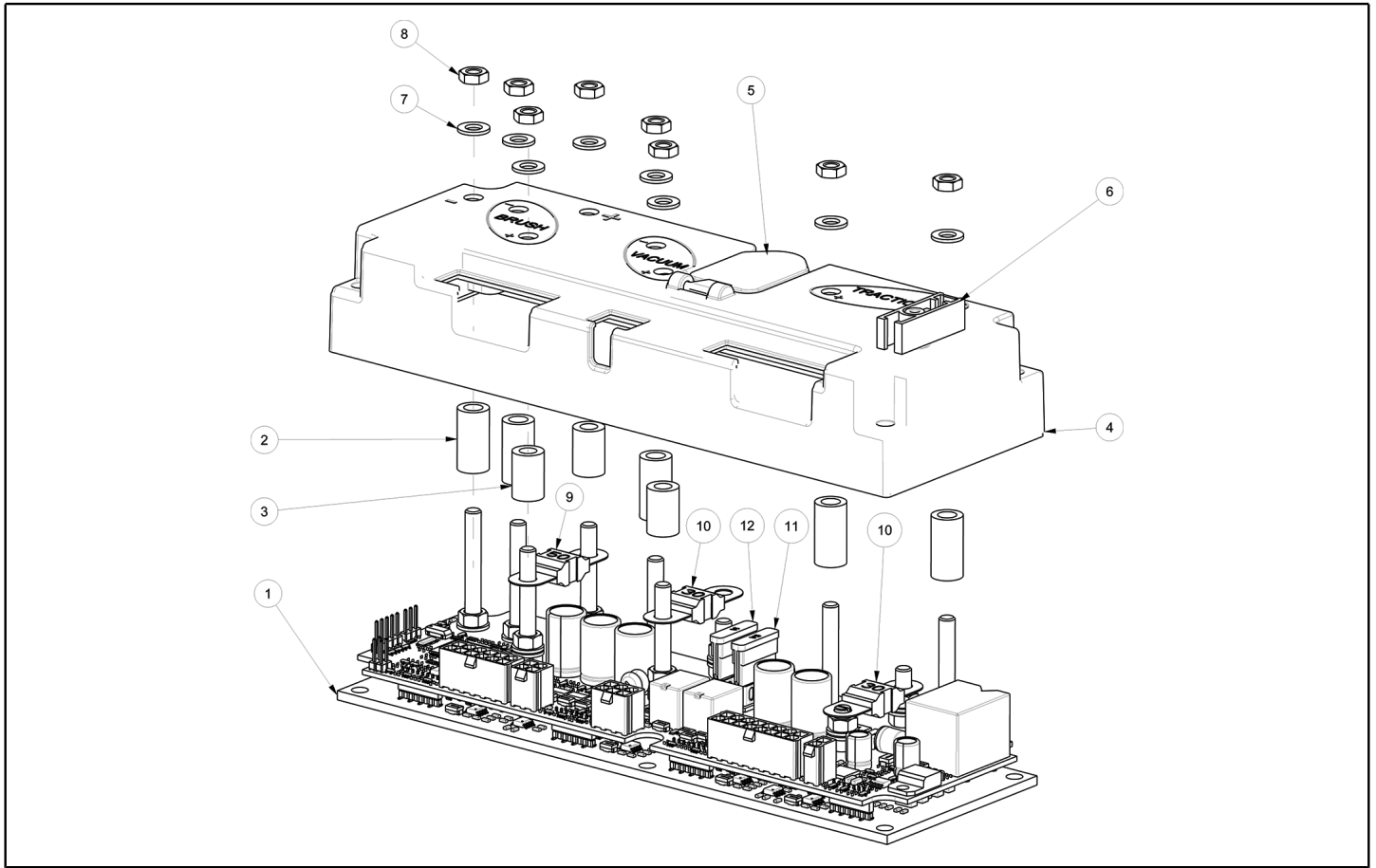
Ref. K	Part n.	Part n. 2	Description	Quantity	Validity		Price
					From	To	
0045	FSVR00428		CLAMP D. 12-20 IX	1,00			--
0046	FSVR00261		CLAMP	1,00			--
0047	VTVR01001		BAR	1,00			--
0048	MPVR06478		SMALL KNOB WHEEL ADJUSTMENT	2,00			--
0049	MPVR06479		CAP POMELLO	2,00			--
0050	VTVT00835		SCREW 4.5-20 DIN 7505-A INOX	1,00			--
0051	MPVR11641		COVERING FILTER CT51	1,00			--
0052	MPVR01097		HOOK DRAIN HOSE	1,00			--
0053	VTVT01591		SCREW STS KN1038 6x20 - T25 A2	1,00			--



Ref. K	Part n.	Part n. 2	Description	Quantity	Validity		Price
					From	To	
0001	MPVR06525		HANDLE GRIP CT51	1,00			--
0002	MPVR06528		SUPPORT -	1,00			--
0003	MPVR07177		SUPPORT -	1,00			--
0004	MPVR06526		LEVER DIRECTION CT51-71	1,00			--
0005	MPVR10694		CAP	1,00			--
0006	MPVR10744		COVERING UPPER CT51-71	1,00		02/04/2024	--
0006	MPVR13752		COVERING UPPER CT51-71	1,00	03/04/2024		--
0007	MPVR06527		KNOB DIALER SELECTOR CT51-71	1,00			--
0008	MECE00743		BOARD KEY READER CT51-71	1,00		23/07/2018	--
0008	MECE00804		BOARD KEY READER CT51-71 BT-XP	1,00	24/07/2018		--
0009	MECI00587		SELECTOR DIALER SWITCH CT51-71	1,00			--
0010	LAFN10998		BUSHING -	4,00			--
0011	MPVR11640		COVERING CT51	1,00			--
0012	VTRS13946		WASHER D. 8 X24 INX UNI 6593	4,00			--
0013	VTVT01427		SCREW STS KN1038 8x25 - T40 A2	4,00		11/10/2023	--
0013	VTVT01429		SCREW STS KN1038 8x30 - T40 A2	4,00	12/10/2023		--
0014	MPVR11198		SPACER CT51/71	1,00			--
0015	VTVT00813		SCREW M 4X 8 TCB-TC UNI 8112	4,00			--
0016	VTRS00291		WASHER D. 5 X20 ZC UNI 6593	2,00			--
0017	MECI00588		MICROSWITCH -	2,00			--
0018	VTRS00581		WASHER D.2	4,00			--
0019	VTVT01592		SCREW TC 2X12	4,00			--
0020	VTDD00213		NUT M2	4,00			--
0021	MECB01938		WIRING CONNECTION RFID REED	1,00		23/07/2018	--
0021	MECB02058		WIRING CONNECTION REED CT51-71	1,00	24/07/2018		--
0022	VTVT01694		SCREW SELF TAPPING 4.8X9.5 SUS	5,00			--
0023	MECE00745		BOARD DISPLAY CT51 BT-XP	1,00		23/07/2018	--
0023	MECE00810		BOARD DISPLAY CT51-71 BT-XP	1,00	24/07/2018		--
0024	MEVR02389		POTENTIOMETER WIG-WAG 45° CT51	1,00			--
0025	VTVT37012		SCREW M 4X 10 TCB-TC INX	2,00			--
0026	VTVT01071		SCREW STS KN1031-Neu 4x16 - H2	8,00			--
0027	MPVR10772		GASKET	1,00			--
0028	VTRS15913		WASHER D. 4 GROVER A2 UNI1751	2,00			--
0029	LAFN35588		BATTERY SUPPORT LAVAP. BT SL17162-1	1,00			--
0030	MEVR01079		PLUG M CB50 A 600V RD.	1,00			--
0031	VTRS00516		WASHER D. 5 INX	4,00			--
0032	MEVR34820		WIRING BATTERY BRIDGE W/TERMINAL	1,00			--
0033	VTVT01440		SCREW	4,00			--
0034	MEVR02391		KEY COMPLETE WITH RFID	2,00		10/10/2022	--
0034	MEVR02390		KEY ELECTRONIC CT51-71 B	2,00	11/10/2022	02/04/2024	--
0034	MEVR02964		KEY ELECTRONIC CT51-71 B	2,00	03/04/2024		--
0035	MECE00811		BOARD TRACTION CT51-71 COMPLETE	1,00			--
0036	MECB01919		WIRING MAIN HARNESS CT51	1,00			--
0037	LAFN11075		BRACKET -	1,00			--



Ref. K	Part n.	Part n. 2	Description	Quantity	Validity		Price
					From	To	
0038	VTRS00515		WASHER D. 4 INX	4,00			--
0039	METT00085		CONTACTOR 100A	1,00			--
0040	VTVT01070		SCREW TSTC M3X8	2,00			--
0041	MECI00626		SENSOR SQUEEGEE POSIT. CT51	1,00			--
0042	MEVR02381		MAGNET SQUEEGEE LEVER CT51	1,00			--
0043	VTVT17357		SCREW TSP-TC 3.9X16 UNI6955	1,00			--
0044	MPVR06467		COVER BATTERY CHARGER CT51-71	1,00			--
0045	VTRS00017		WASHER STEEL INOX 4X12	2,00			--
0046	VTVT00021		SCREW TE UNI 5739 3X25 ZB	2,00			--
0047	VTVT00522		SCREW TCB-TC 2.9X 9.5 UNI6954	1,00			--
0048	VTDD00210		NUT M 3 AUTOBL.DIN 985 IX.A2	4,00			--
0049	VTVT01072		SCREW STS KN1038 5x16 - T20 A2	4,00			--
0050	MPVR10701		RUBBER KEY HOLD CT51	1,00			--
0051	VTVT48694		SCREW TCB TC 5 X12 UNI 9707 TZ	2,00			--
0052	MEVR02097		SD-CARD -	1,00			--
0053	MECB01981		WIRING BRIDGE CT51 W/O CHARGER	1,00			--
0054	MPVR11496		CORD -	1,00			--
0055	MECB02017		WIRING	1,00			--
0056	VTDD01693		NUT M 5 INX	8,00			--
0057	VTRS00570		WASHER -	5,00			--
0058	VTVT01669		SCREW M4x6 UNI5739 znt cl.4.8	2,00			--
0059	MEVR02907		FUSE-HOLDER -	1,00			--
0060	MEVR00604		FUSE STRIP 80A	1,00			--
0061	VTVT00814		SCREW TE M.4-25	1,00	07/06/2021		--
0062	MPVR13118		SPACER 4.2X8mm H=12mm	1,00	07/06/2021		--
0063	MECE00877		BOARD	1,00	07/06/2021		--
0064	VTDD00055		NUT M 4 ATB A2	1,00	07/06/2021		--
0065	MEVR02659		SHEATH	1,00	07/06/2021		--
0066	FSVR00049		CLAMP 4.5x200 black	2,00	07/06/2021		--
0067	ETET17157		LABEL .	1,00	07/06/2021		--
0068	MECB02378		WIRING .	1,00	18/09/2023		--



Ref. K	Part n.	Part n. 2	Description	Quantity	Validity		Price
					From	To	
0001	MECE00812		BOARD TRACTION CT51-71 RULLI	1,00			--
0002	MPVR06501		SPACER	5,00			--
0003	LAFN01298		SPACER PLASTIC 10X5.5X15	3,00			--
0004	MPVR11447		COVERING ELECTRONIC BOARD CT51BT	1,00			--
0005	MPVR11448		COVER PLASTIC FUSE BOX CT51	1,00			--
0006	MEVR01153		FUSE EXTRACTOR	1,00			--
0007	VTRS00516		WASHER D. 5 INX	8,00			--
0008	VTDD00209		NUT M5 LOW UNI5589	8,00			--
0009	MEVR02105		FUSE 50A OMEGA FT3050	1,00			--
0010	MEVR02104		FUSE 30A OMEGA FT3030	2,00			--
0011	MEVR00565		FUSE 5A	1,00			--
0012	MEVR00563		FUSE 1A	1,00			--