

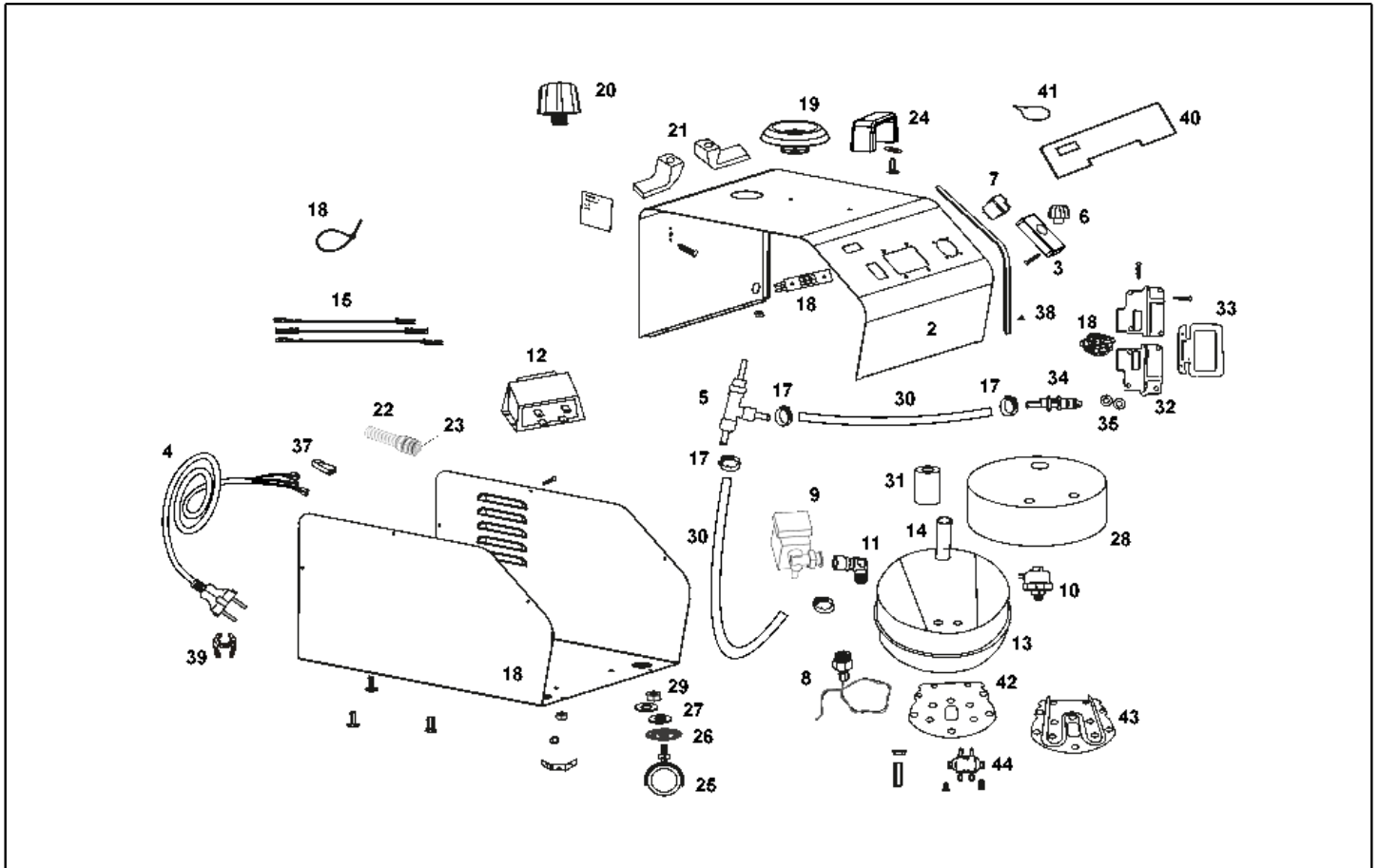


**IPC**

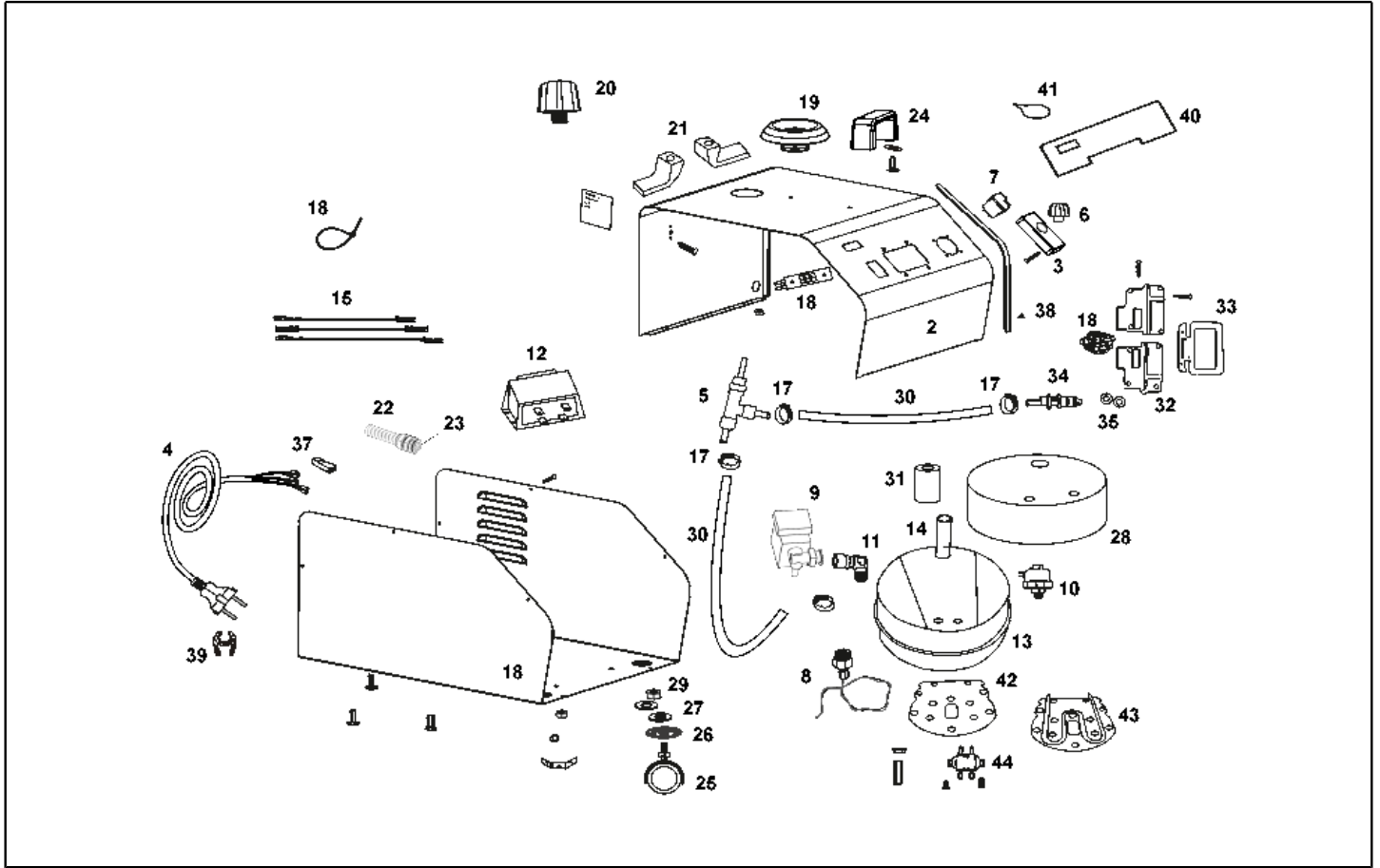
**Spare parts list**

Ref: GNVA40036

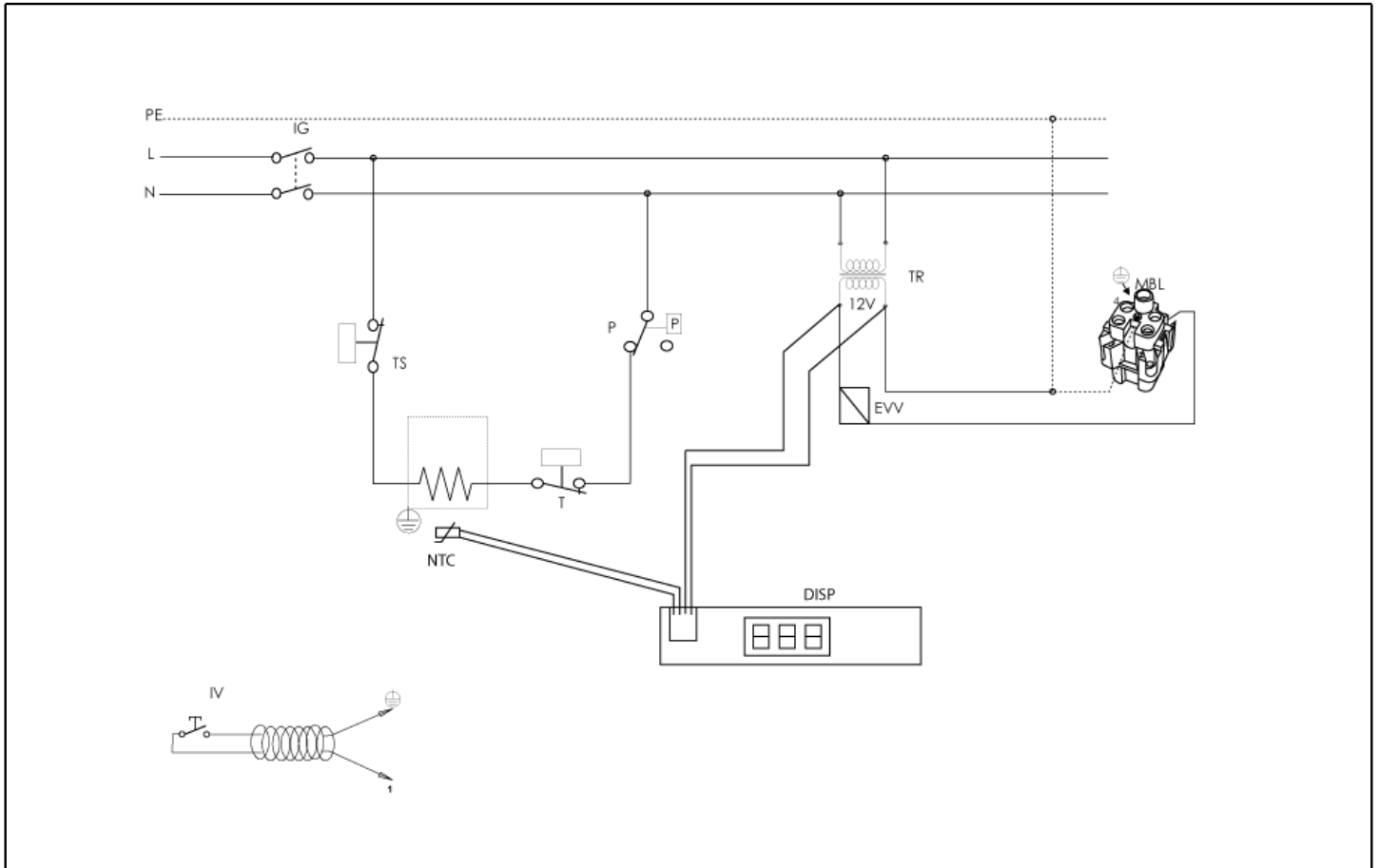
Model: STEAM GENERATOR SG-08 S 4507 M 230V IPC



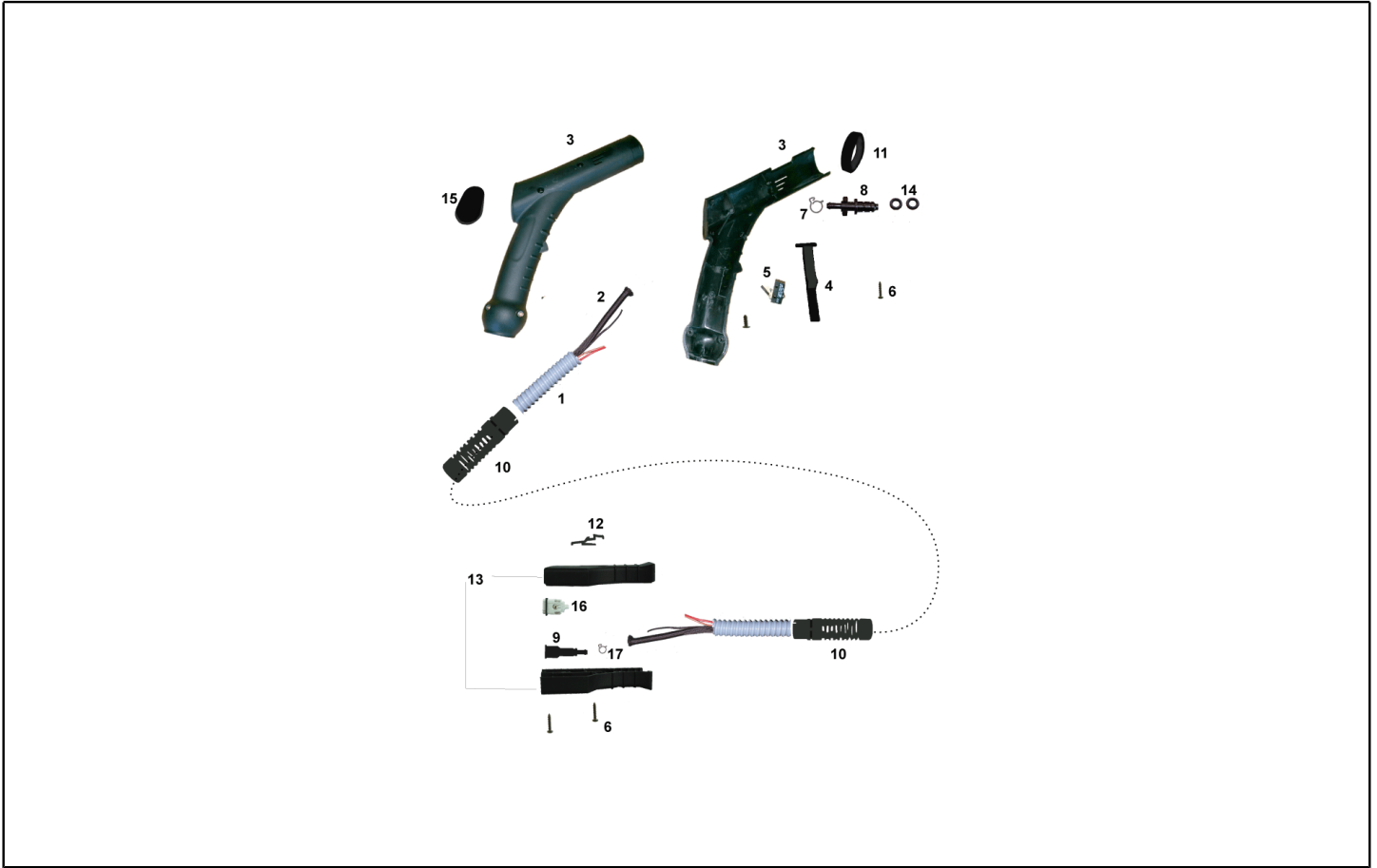
Ref. K	Part n.	Part n. 2	Description	Quantity	Validity		Price
					From	To	
0001	LAFN40951		BASE STM-SG.08/10 INX	1,00			--
0002	LAFN40952		COVERING STM-SG.08/10 INX	1,00			--
0003	MPVR40890		TERMINAL BOARD VAP.STI	1,00			--
0004	MECB40379		CABLE H05VVF 3X1,5 MT5 SK	1,00			--
0005	RCGR40013		TAP STEAM SG.08/10	1,00			--
0006	MPVR40891		KNOB SG.08/10	1,00			--
0007	MECI40044		SWITCH SLX 250V 0-1 B4D	1,00			--
0008	MEVR40196		PROBE NTC/TR5	1,00			--
0009	MEEV40016		SOLENOID VALVE 7000/5 D2 2V.12V	1,00			--
0010	MEPF40039		PRESSURE SWITCH XP 1/8G 3.8BAR	1,00			--
0011	RCVR34780		ELBOW 1/8" M/F A10	1,00			--
0012	METR40022		TRANSFORMER 15VA 230/12V +FS	1,00			--
0013	CDVE40034		BOILER 2.0 SG.08 230V	1,00			--
0014	RCDS40270		CONNECTOR 3/8G BL.TR5	1,00			--
0015	MECB40380		WIRING SG.08	1,00			--
0016	MECE40073		DISPLAY QV5/NTC-SG	1,00			--
0017	FSVR11957		CLAMP D. 9.5-12 CLIC	4,00			--
0018	FSVR01875		CLAMP LG 32030 2.4X 95	15,00			--
0019	GUGO40083		GASKET D. 20 V.TR5 BK.	1,00			--
0020	RCDS40271		CAP A.SV. 3/8" M 7B.	1,00			--
0021	MPVR40892		CABLE SUPPORT SG.08/10	2,00			--
0022	MEVR87965		CABLE CLAMP PG 11 SPIR. BK.	1,00			--
0023	MEVR87375		LOCKNUT PG 11 BK	1,00			--
0024	MPVR40893		HANDLE SG.08/10 M6	1,00			--
0025	RTRT40054		TURNING WHEEL D. 50 M8	4,00			--
0026	VTRS40042		WASHER D. 8.5X30X1,5 BOMB.	4,00			--
0027	VTRS00504		WASHER D. 8 ZC. UNI 6592	8,00			--
0028	ITTE40009		PROTECTION TR5.5 SG.08	1,00			--
0029	VTDD00483		NUT M 8 ZIN UNI 5588	3,00			--
0030	TBBP40099		TUBE EPDM-AT 5-11 200°C 10BAR	0,65			--
0031	ITTE40010		TUBE D. 18 SP. 6 L=50	1,00			--
0032	MEVR40197		COWLING VP. 2pz. T.NA	1,00			--
0033	MEVR40198		DOOR VAP. T.NA.	1,00			--
0034	RCIN40037		JOINT STEAM OT. T.NA	1,00			--
0035	GUGO03496		O-RING D. 9.25 X 1.78 NBR 70SH	2,00			--
0036	MEVR40199		SOCKET ILME 5P	1,00			--
0037	MEVR40091		TERM.BOARD COV. IN.PST. P/6.3	2,00			--
0038	GUVR40115		EDGE PVC "U" PSL 891/3P CMP.	1,50			--
0039	MEVR40200		CLIP TR5	1,00			--
0040	ETET41189		LABEL STM-SG.08 PLC	1,00			--
0041	ETET41190		LABEL SV.08	1,00			--
0042	GUVR40116		GASKET V.TR5 GRAF.	1,00			--
0043	MEVR40201		RESISTANCE AL 2000W 230V	1,00			--
0044	METK40015		THERMOSTAT 200 °C TF 298	1,00			--



Ref. K	Part n.	Part n. 2	Description	Quantity	Validity		Price
					From	To	
9999	IPIP40019		GRIP STI VP. + 2.5 MT	1,00			--



Ref. K	Part n.	Part n. 2	Description	Quantity	Validity		Price
					From	To	
P	MEPF40039		PRESSURE SWITCH XP 1/8G 3.8BAR	1,00			--
IG	MECI40044		SWITCH SLX 250V 0-1 B4D	1,00			--
IV	MECE40085		PCB ASP/VAP/DET	1,00			--
TR	METR40022		TRANSFORMER 15VA 230/12V +FS	1,00			--
TS	METK40015		THERMOSTAT 200 °C TF 298	1,00			--
EVV	MEEV40016		SOLENOID VALVE 7000/5 D2 2V.12V	1,00			--
NTC	MEVR40196		PROBE NTC/TR5	1,00			--
DISP	MECE40073		DISPLAY QV5/NTC-SG	1,00			--



Ref. K	Part n.	Part n. 2	Description	Quantity	Validity		Price
					From	To	
0001	TBFX40012		SHEATH FLEX SP.V2 MERL.	2,50			--
0002	TBBP40169		TUBE EPDM-AT 4- 8 PEROX	2,75			--
0003	MPVR41153		SHELL STI ST. 2PZ.	1,00			--
0004	MPVR41154		LEVER IMP.BK STM.	1,00			--
0005	MECI40063		MICROSWITCH DC3A-A1AA CH.	1,00			--
0006	VTVT40095		SCREW AF 4X 20 HILO ZN.N	7,00			--
0007	FSVR40022		CLAMP D. 10 CLIC 100	2,00			--
0008	RCIN40037		JOINT STEAM OT. T.NA	1,00			--
0009	RCIN40054		JOINT STEAM PL. T.NA PR.	1,00			--
0010	MPVR41155		SLEEVE FLX T.NA	2,00			--
0011	MPVR41156		RING IMP. T.NA	1,00			--
0012	MPVR41157		BUTTON T.NA	1,00			--
0013	MPVR41158		SHELL VAP. T.NA 2 PZ.	1,00			--
0014	GUGO14475		O-RING D. 9.25 X 1.78 VIT 80SH	2,00			--
0015	MPVR41159		CAP VAP. BK.	1,00			--
0016	MEVR40305		PLUG ILME 5P	1,00			--
0017	FSVR11957		CLAMP D. 9.5-12 CLIC	1,00			--