

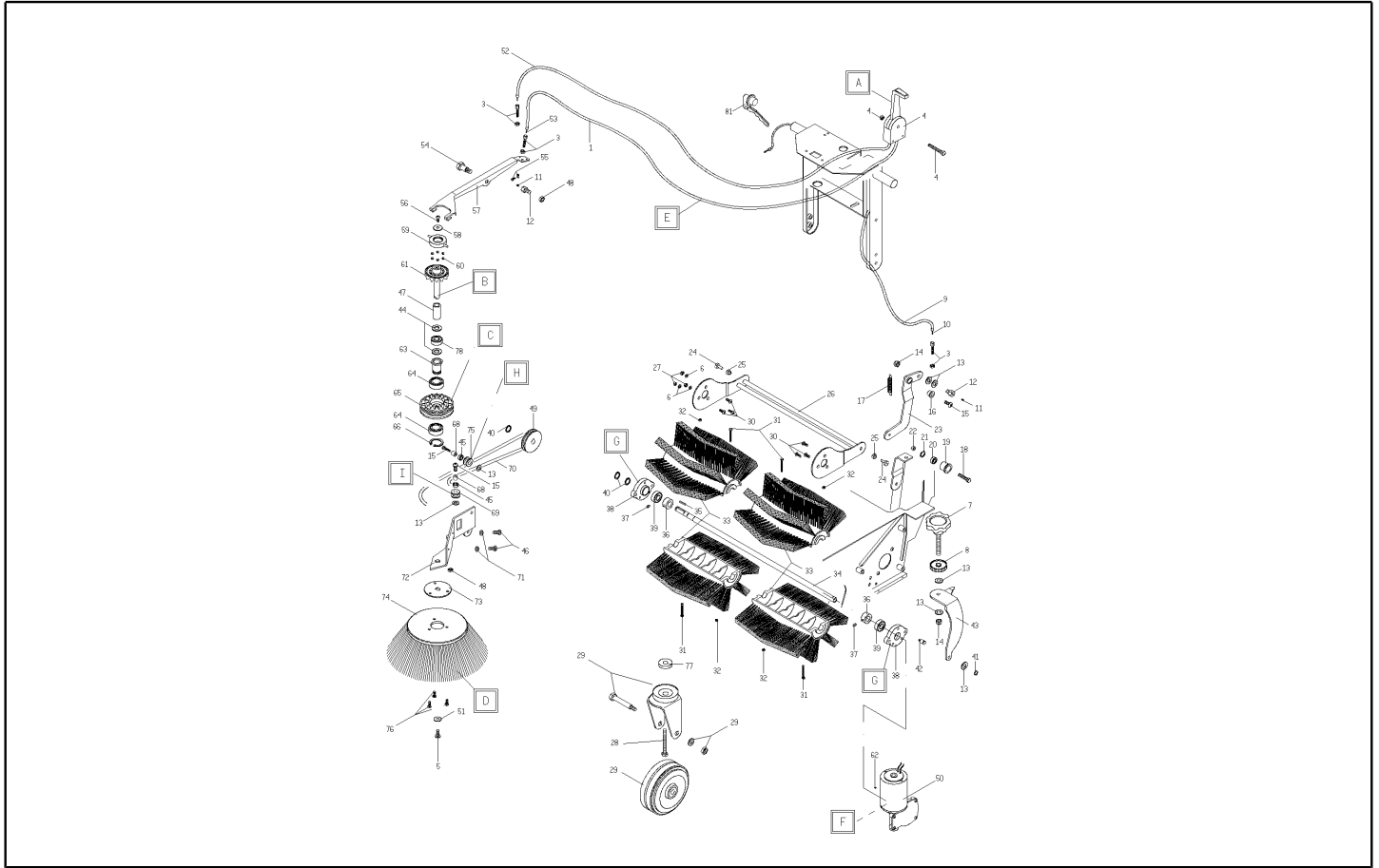


IPC

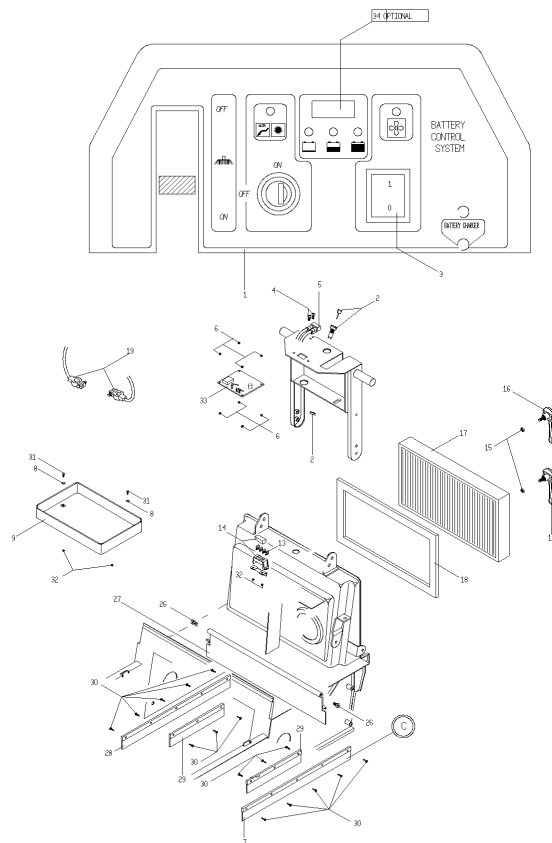
Spare parts list

Ref: MSUT00698

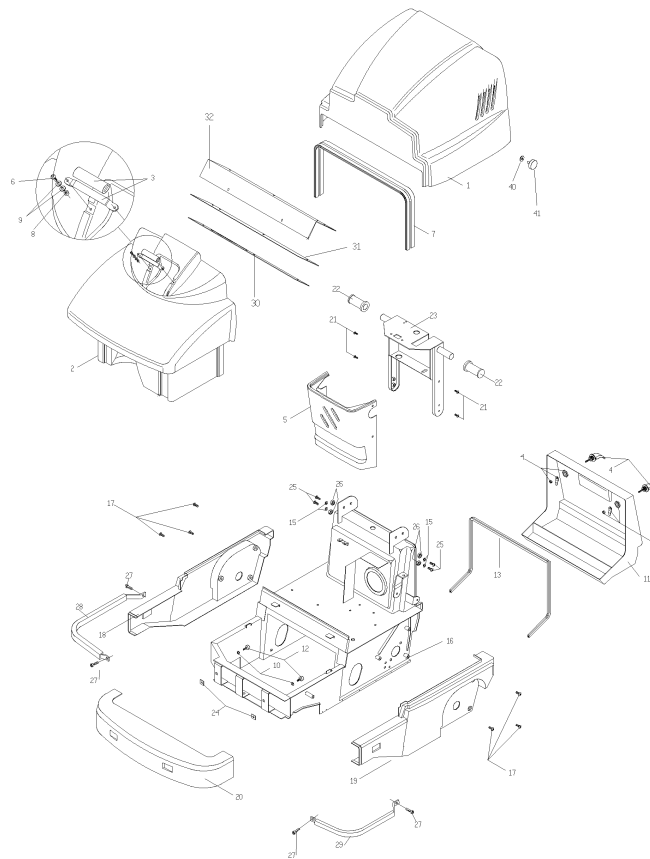
Model: SWEEPER 505 ET+BLS+BAT GR/VE



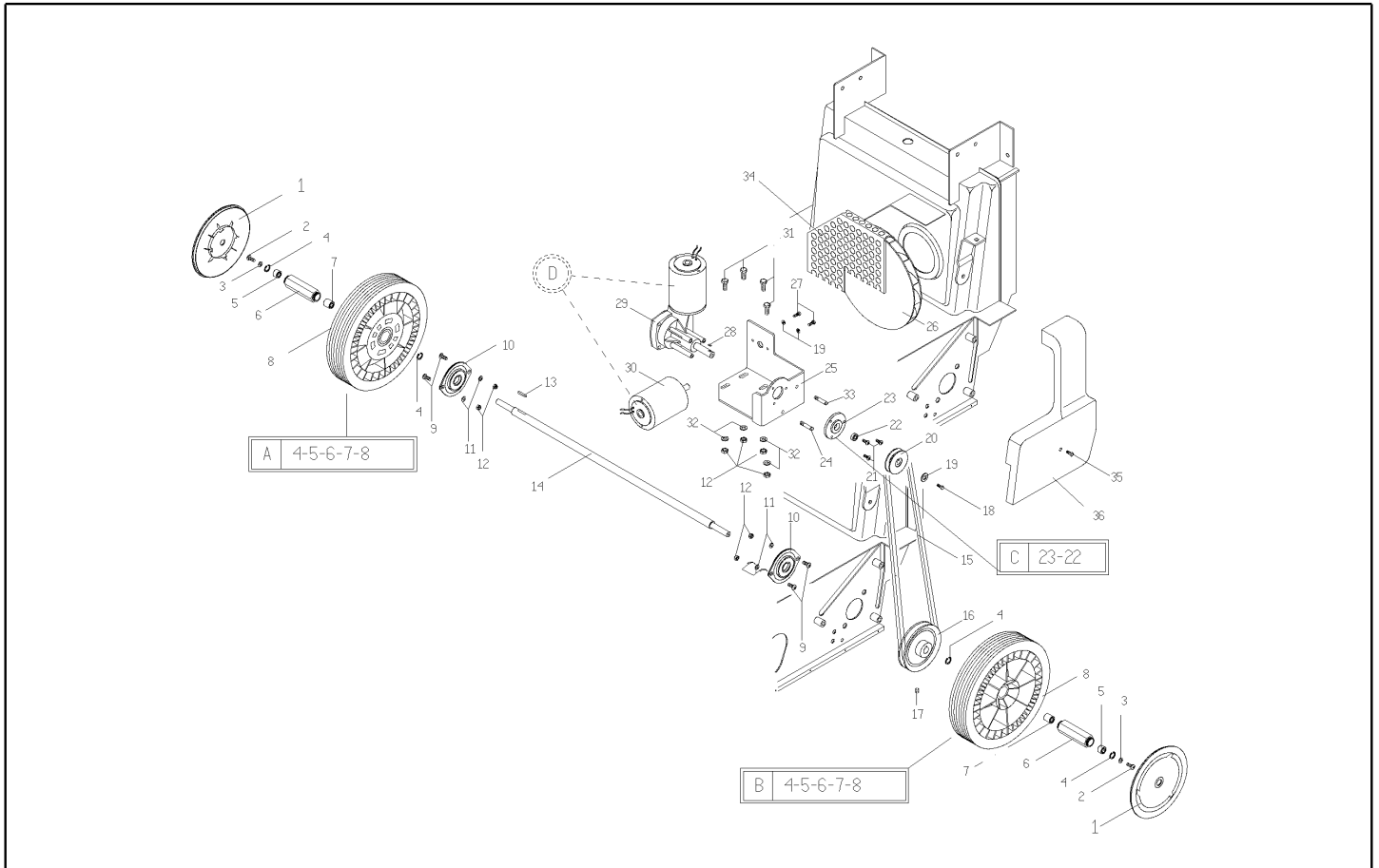
Ref. K	Part n.	Part n. 2	Description	Quantity	Validity		Price
					From	To	
0037	VTVT75731		GRUB SCREW UNI 5923 6X5	2,00			--
0038	PMTR00026		SUPPORT D.90 DX/SX(2 INS.)+CRUS	2,00			--
0039	CUVR00005		BEARING 6202 2RS	2,00			--
0040	VTAE17003		CIRCLIP ESTERNO DIN 471 D.15	3,00			--
0041	VTAE14016		SEEGER ESTERNO DIN 471 D.12	1,00			--
0042	LAFN75971		PIN FISSAG. SUPP. REGOL. SPAZZ.	1,00			--
0043	LAFN00342		BRACKET REGOL. SPAZZ. CENTR. TK ZINC	1,00			--
0044	VTRS75831		WASHER IN FELTRO X BRACCIO LAT.	2,00			--
0045	CUVR75814		BEARING HK1012	2,00			--
0046	VTVT45395		SCREW TBCE ISO 7380 8X10 ZB	2,00			--
0047	LAFN75912		SPACER ALBERO SPAZZ. LAT. TIPO NUOV	1,00			--
0048	VTDD13261		NUT UNI 5589 M8 BASSO ZB	3,00			--
0049	MTPL75980		PULLEY SPAZZOLA LATERALE D. 15	1,00			--
0050	RDGR75782		MOTOR. GEARBOX D.77 TK 500	1,00			--
0051	VTRS63242		WASHER UNI 6593 6X24X2 ZB	1,00			--
0052	CMCV75897		SHEATH	1,00			--
0053	CMCV75896		SIDE BR. SHEATH TK2125001	1,00			--
0054	LAFN75968		PIN CH. 17 H.34 LEVA SPAZZ. LAT.	1,00			--
0055	CMCV75737		CLAMP D.7 art.857	1,00			--
0056	VTVT75724		SCREW TBCE ISO 7380 8X22 ZB	1,00			--
0057	LAFN75953		LEVER SOLLEV. SPAZZ. LATER. TK ZIN	1,00			--
0058	VTRS00513		WASHER UNI 6593 8X32X2,5 ZB	1,00			--
0059	LAFN75824		RING CUSCIN. SPAZZOLA LATER. TK	1,00			--
0060	SFVR00002		BALL 11/32"	6,00			--
0061	LAFN75826		RING DENTATO MOV. SPAZZ. LAT. TK	1,00			--
0062	VTVR75730		KEY UNI 6606 3X3,7	1,00			--
0063	LAFN75833		BUSHING PORTACUSC. TK NUOVO TIPO	1,00			--
0064	CUVR86893		BEARING 6005 2RS	2,00			--
0065	LAFN75827		RING DENTATO FOLLE TK	1,00			--
0066	VTAE09655		SEEGER ESTERNO DIN 471 D.25	1,00			--
0068	LAFN75840		BUSHING D.10 NUOVO BRACCIO LAT.	2,00			--
0069	MTPL75996		PULLEY D.27X15 BRACCIO LAT. NUOVO	1,00			--
0070	MTCG85335		BELT D.8MM SIDE ARM-BLUE	1,00			--
0071	VTRS00512		WASHER D. 8 X24 ZC.	2,00			--
0072	LAFN76005		SUPPORT SPAZZOLA LATERALE TK ZINC	1,00			--
0073	LAFN75986		FLANGE TRASCIN. SPAZZ. LAT. TK ZINC.	1,00			--
0074	SPPV76057		SIDE-BRUSH TK PPL 70	1,00			--
0075	MTPL75997		PULLEY D.30X15 BRACCIO LAT. NUOVO	1,00			--
0076	VTVT00527		SCREW TE FR 6X10 ZB ZIG.	3,00			--
0077	LAFN75910		SPACER FISSAG. RUOTA ANTER. H 10	1,00			--
0078	CUVR37344		ROLLER BEARING HK 1412	1,00			--
0081	PMTR00089		HANDLE TRAZ. K E TK NUOVO MAN.COM	1,00			--



Ref. K	Part n.	Part n. 2	Description	Quantity	Validity		Price
					From	To	
000C	MPVR76042		RUBBER KIT FLAPS FRAME TK500	1,00			--
0001	ETET76080		LABEL CRUS.TK500E	1,00			--
0002	MECI75805		SWITCH KEY FOR BATTERY MACHINES	1,00			--
0003	MECI85753		SWITCH BIPOLARE CON CAPPUCCIO	1,00			--
0004	VTVT00103		SCREW AUTOF.TC UNI 6954 4,8X22	2,00			--
0005	MEVR07039		CONNECTOR BATTERY SB50 GRAY	1,00			--
0006	VTDD01678		NUT M 5 UNI 5588	2,00			--
0007	MPVR75928		FLAP LAT.SX TK/K 500/700	1,00			--
0008	VTRS15958		WASHER UNI 6592 5X15X1,5 ZB	2,00			--
0009	LAFN87156		CONTAINER BATTERY	1,00			--
0013	MEVR01136		FUSE 30A	1,00			--
0014	MEVR00030		FUSE-HOLDER 4 VIE COPERCHIO TRAS.	1,00			--
0015	VTDD00483		NUT M 8 ZIN UNI 5588	2,00			--
0016	PMVR00374		HANDLE BLOCCAG.FILT.TK-K 500/700	2,00			--
0017	FTDP76065		FILTER TK 500	1,00			--
0018	KTRI75926		GASKET KIT FOR 500-505-512	1,00			--
0019	MECB00008		ELECTRI.INSTAL. TK500 MANICO NUOVO	1,00			--
0026	VTVT47025		SCREW TBCE ISO 7380 10X16 ZB	2,00			--
0027	MPVR85933		FLAP POSTERIORE TK500 NERO	1,00			--
0028	MPVR75922		FLAP LATER.DX TK/K/SILV.	1,00			--
0029	MPVR75927		RUBBER FLAP	2,00			--
0030	VTVT01295		SCREW 3,5X9,5 TS80 UNI 6955 ZB	16,00			--
0031	VTVT29884		SCREW TE UNI 5739 4X16 ZB	2,00			--
0032	VTDD04368		NUT M 4 ZIN UNI 5588	2,00			--
0033	MECE75944		BOARD COMANDO 12V MOD.TK/K	1,00			--
0034	MESB00002		HOUR-COUNTER LCD MOD.700 12-24V	1,00			--



Ref. K	Part n.	Part n. 2	Description	Quantity	Validity		Price
					From	To	
0001	MPVR06022		HOOD SUPERIORE 505ET VERDE IPC	1,00			--
0002	MPVR06021		DRAWER ANTERIORE 505 VERDE IPC	1,00			--
0003	KTRI00034		HANDLE CASSETTO ANT.505 COMPLETA	1,00			--
0004	CHVR26517		DRAWER CLOSURE LOLY 50	2,00			--
0005	MPVR07075		CRANKCASE MANICO 505 GRIGIO	1,00			--
0006	VTVT75726		SCREW TBCE ISO 7380 6X16 ZB	2,00			--
0007	GUVR00016		GASKET CASSETTO ANT.K501/NEW502	1,00			--
0008	VTDD00491		NUT M 6 TEF	2,00			--
0009	VTRS04026		WASHER D. 6X18X2.38	2,00			--
0010	VTDD00482		NUT M 6 ZIN UNI 5588	2,00			--
0011	MPVR00398		DRAWER POSTERIORE TK500/K501 NER	1,00			--
0012	MPVR75799		FOOT 20X9 M6X18	2,00			--
0013	GUVR75932		GASKET CASSETTO POST.500-501-510	1,00			--
0015	VTRS00504		WASHER D. 8 ZC. UNI 6592	4,00			--
0016	LAFN01064		FRAME 505 ET GRIGIO RAL7024	1,00			--
0017	VTVT45395		SCREW TBCE ISO 7380 8X10 ZB	6,00			--
0018	MPVR04667		CRANKCASE LATERALE DX 505-530 NERO	1,00			--
0019	MPVR04666		CRANKCASE LATRALE SX 505-530 NERO	1,00			--
0020	MPVR04665		CRANKCASE FRONTALE 531 NERO	1,00			--
0021	VTVT75726		SCREW TBCE ISO 7380 6X16 ZB	4,00			--
0022	MPVR00036		KNOB GOMMA NERA D.24/24 FORATA	2,00			--
0023	LAFN00407		HANDLE 505 E VERNICIATO	1,00			--
0024	VTDD75720		NUT INGABBIATO UNI 3740 M8	2,00			--
0025	VTVT00017		SCREW TE UNI 5739 8X35 ZB	4,00			--
0026	VTDD00124		NUT M8 DIN985	4,00			--
0027	VTVT87271		SCREW TBCE ISO 7380 8X16 ZB	4,00			--
0028	PMLA00114			1,00			--
0029	PMLA00114			1,00			--
0030	MPVR86813		DRAWER GUARD ANTER.520-550	1,00			--
0031	MPVR86812		RUBBER CASSETTO ANT.520-530-540	1,00			--
0032	LAFN00299		CLAMP FLAP CASSETTO ANTER.BLAK	1,00			--
0040	VTRS00504		WASHER D. 8 ZC. UNI 6592	2,00			--
0041	VTVR00045		HANDWHEEL V7 D.40 M8X15	2,00			--



Ref. K	Part n.	Part n. 2	Description	Quantity	Validity		Price
					From	To	
000A	PMTR00008		WHEEL D.250 DX COMPL.NERO-NERA	1,00			--
000B	PMTR00010		WHEEL D.250 SX COMPL.NERA-NERO	1,00			--
000C	PMTR00032		SUPPORT CUSCIN.6000 RIDUT.TRAZ.TK	1,00			--
000D	MPVR87013		CARBON BRUSH MOTOR d.77/80	1,00			--
0001	MPVR00541		WHEEL'S COVER D.200 NERO	2,00			--
0002	VTVT75725		SCREW TBCE ISO 7380 6X10 ZB	2,00			--
0003	VTRS63242		WASHER UNI 6593 6X24X2 ZB	2,00			--
0004	VTAE28493		SEEGER ESTERNO DIN 471 D.28	4,00			--
0005	CUVR37341		ROLLER BEARING HFL 1426	2,00			--
0006	LAFN75838		BUSHING ESAGONALE CUSCIN.RUOTA	2,00			--
0007	CUVR37344		ROLLER BEARING HK 1412	2,00			--
0008	RTRT75989		WHEEL GOMMA D.250X55 NERA CER.N	2,00			--
0009	VTVT75721		SCREW TTDE UNI 5732 6X16 ZB	4,00			--
0010	CUVR75815		BALL BEARING UBPF1203	2,00			--
0011	VTRS00503		WASHER D. 6 UNI 6592	4,00			--
0012	VTDD00491		NUT M 6 TEF	8,00			--
0013	VTVR26559		KEY UNI 6604 5X5X15	1,00			--
0014	ALTR75820		TRACTION SHAFT TK500 H.697	1,00			--
0015	MTCG13166		BELT Z 30 3/4	1,00			--
0016	MTPL75984		PULLEY TRAZIONE D.140	1,00			--
0017	VTVT86570		GRUB SCREW UNI 5927 6X10 CON PUNTA	1,00			--
0018	VTVT00003		SCREW TE M 4X 12 ZC. UNI 5739	1,00			--
0019	VTRS00291		WASHER D. 5 X20 ZC UNI 6593	3,00			--
0020	MTPL75985		PULLEY D.55 RIDUTTORE TRAZIONE	1,00			--
0021	VTVT85745		SCREW TBCE ISO 7380 6X25 ZB	3,00			--
0022	CUVR86373		BEARING 6000 2RS	1,00			--
0023	LAFN48900		SUPPORT CUSC.6000 RIDUT.TRAZ.TK	1,00			--
0024	LAFN75969		PIN SOSTEGNO CINGHI D.9 H.33	1,00			--
0025	LAFN00652		SUPPORT MOTORI TK ZINCATO	1,00			--
0026	VEVR26677		IMPELLER ALLUMINIO D.200	1,00			--
0027	VTVT14062		SCREW TE UNI 5739 5X16 ZB A.8.8	2,00			--
0028	VTVR75730		KEY UNI 6606 3X3,7	1,00			--
0029	RDGR75782		MOTOR.GEARBOX D.77 TK 500	1,00			--
0030	MOCC75780		MOTOR D.77 12V	1,00			--
0031	VTVT62920		SCREW TE FR 6X16 ZB ZIGRINATE	4,00			--
0032	VTRS04026		WASHER D. 6X18X2,38	4,00			--
0033	LAFN00576		PIN FISS.CONVOGLIATORE ARIA	1,00			--
0034	LAFN00876		PROTECTION	1,00			--
0035	VTVT00527		SCREW TE FR 6X10 ZB ZIG.	1,00			--
0036	MPVR00611		CONVEYOR ARIA VERSIONE ELETTRICA	1,00			--