

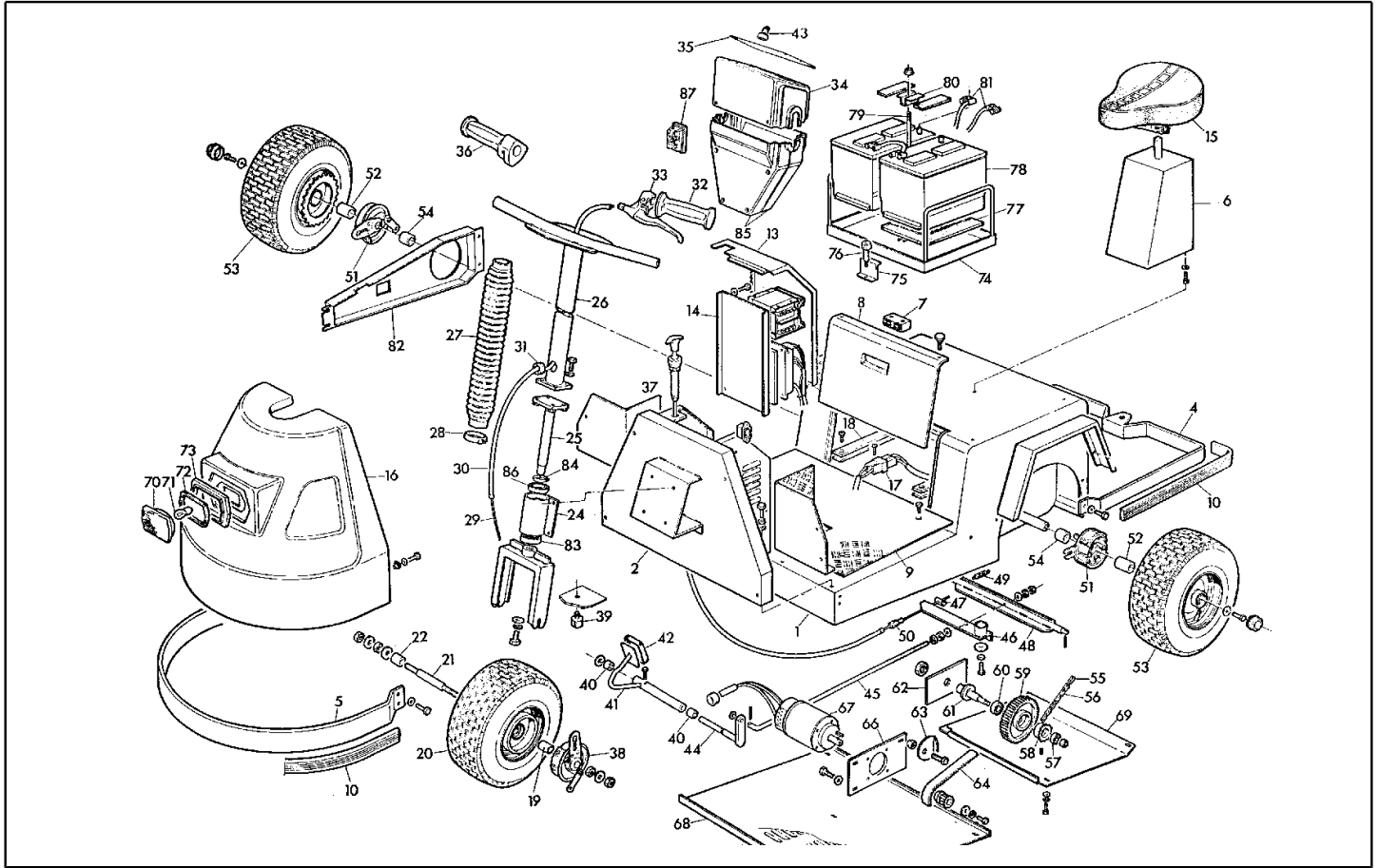


**IPC**

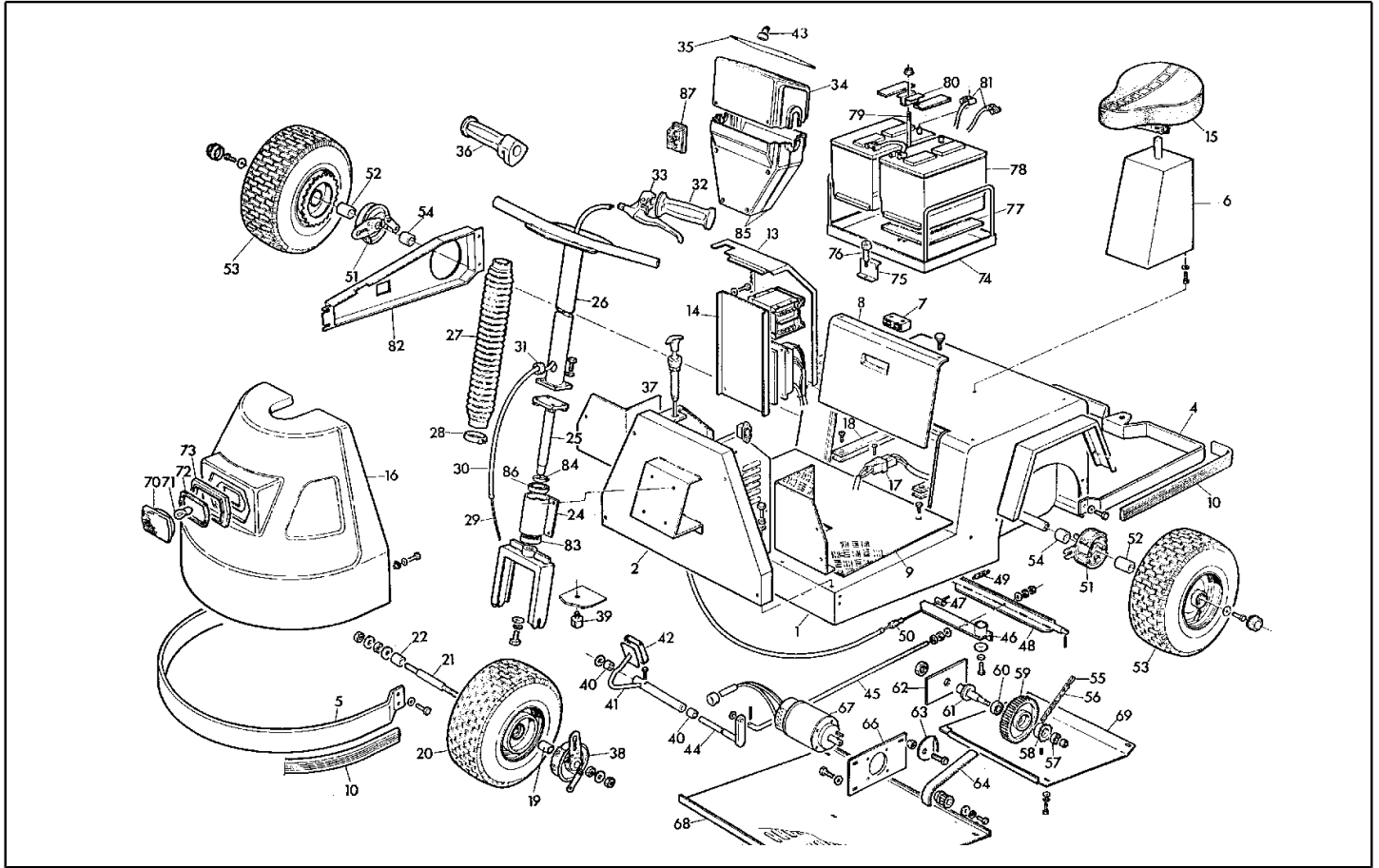
**Spare parts list**

Ref: ELVC42022

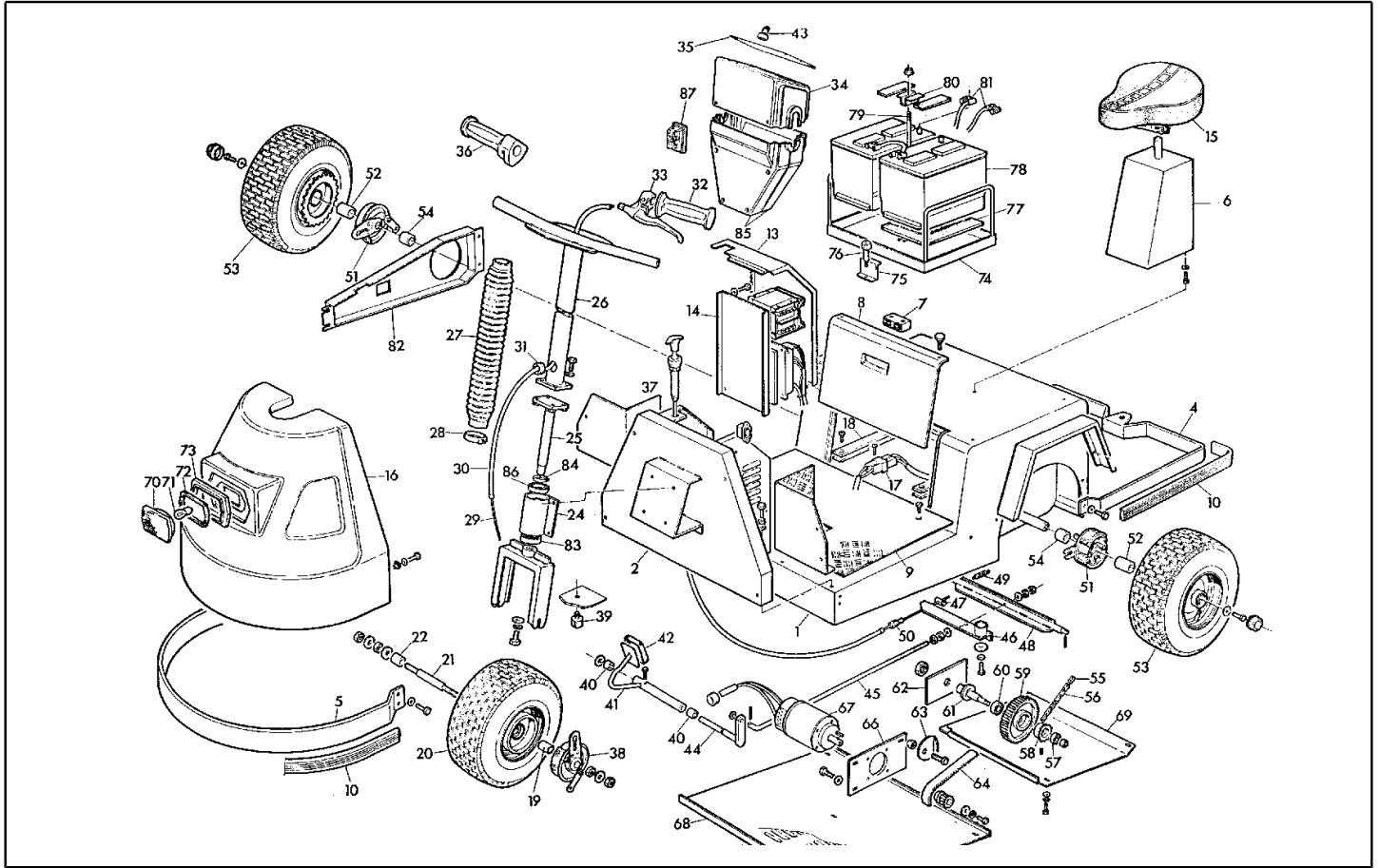
Model: ELECTR. VEHICLE TIGER 500S II PRT



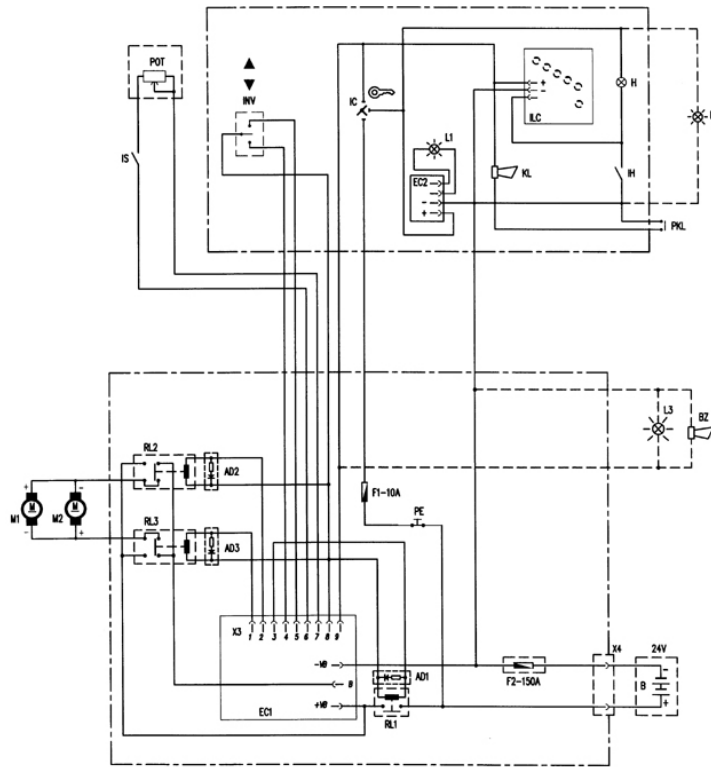
Ref. K	Part n.	Part n. 2	Description	Quantity	Validity		Price
					From	To	
0001	LAFN29931		BODY TIG.300	1,00	26/04/1999	--	--
0002	LAFN42219		CONTROL BOX TIG.300 II	1,00	02/06/1999	--	--
0004	LAFN29939		BACK BUMPER TIG.300	1,00		--	--
0005	LAFN29933		ANT.BUMPER TIG.300	1,00	26/04/1999	--	--
0006	LAFN29949		SADDLE SUPPORT TIG.300	1,00	26/04/1999	31/01/2009	--
0006	LAFN40119		SUPPORT T.500 GR.	1,00	01/02/2009	--	--
0007	CHVR34038		CLOSURE L= 73X18	1,00	26/04/1999	--	--
0008	LAFN29955		BOX COVER TIG.300	1,00	02/06/1999	--	--
0009	MPVR43880		PLANE T.300-500	1,00	09/05/2001	--	--
0013	LAFN33109		BOX COVER TIG.300 2V	1,00	26/04/1999	--	--
0014	LAFN33112		JUNCTION BOARD TIG.300 2.V	1,00	26/04/1999	--	--
0015	SESD29848		SADDLE PU 290X260	1,00	02/06/1999	05/12/2004	--
0015	SESD88786		SADDLE RVS BK. C/P. TIG.	1,00	06/12/2004	31/01/2009	--
0015	SESD40002		SEAT SC 74 S/GD.	1,00	01/02/2009	--	--
0016	MPVR36019		HOOD TIG.300 ABS	1,00	20/04/2013	--	--
0016	MPVR42355		HOOD TIG.300 ABS GFR	1,00	13/12/2001	19/04/2013	--
0017	MEVR07039		CONNECTOR BATTERY SB50 GRAY	1,00		--	--
0018	MPVR25715		PLATE PVC 415X30X 5	2,00	26/04/1999	--	--
0019	LAFN29920		SPACER D. 25-21 L=42	1,00	26/04/1999	--	--
0020	RTRT29913		WHEEL D. 13"X5.00/ 6 PN. +TB.	1,00		--	--
0021	LAFN29922		WHEEL PIN D.20 L=215 2XM14	1,00	26/04/1999	--	--
0022	LAFN29924		SPACER D. 25-21 L=37	1,00	26/04/1999	--	--
0024	LAFN35787		SUPPORT TIGER	1,00	02/06/1999	--	--
0025	LAFN38798		UP STEERING TIG. 500	1,00	02/06/1999	--	--
0026	LAFN38547		UP STEERING L.95-TIG.	1,00	26/04/1999	--	--
0027	MPVR35714		PROTECTOR D. 55-50X230	1,00	26/04/1999	--	--
0028	FSVR01874		CLAMP LG 31916 9 X260 N	2,00	26/04/1999	--	--
0029	CMCV29817		CORD D. 2 L=1800	1,00	26/04/1999	--	--
0030	CMCV29816		SHEATH VIPLAST L=1060 3 X6	1,00	26/04/1999	--	--
0032	MPVR40015		KNOB D. 22 L=124 SIR	1,00	15/06/2007	--	--
0033	CMCV29815		CONTROL LEVER D. 22 + STZ. SX TIG.	1,00		--	--
0033	CMCV40002		LEVER D.22 C/STZ. MM. C.16	1,00	15/02/2007	--	--
0033	CMCV33525		LEVER D.22 NYL	1,00	26/04/1999	10/01/2007	--
0034	MPVR33115		INSTR.PANEL L.9000 - TIG. 2.V PP	1,00	27/10/2000	--	--
0035	ETET42222		LABEL TIG. 500/1000 PLC	1,00	27/10/2000	--	--
0036	MEVR31306		KNOB D.22 DX TIGER 300	1,00	26/04/1999	14/06/2007	--
0036	MEVR40004		KNOB D.22 DX TIG.	1,00	15/06/2007	--	--
0037	CMCV30002		CONTROL LEVER TIG.300	1,00	02/06/1999	30/11/2019	--
0037	CMCV40012		TRIGGER STA.TIG.	1,00	01/12/2019	--	--
0037	LAFN41222		ADAPTER TIG.2V. ZC	1,00	01/12/2019	--	--
0037	VTRS00506		WASHER D.12 UNI 6592	1,00	01/12/2019	--	--
0038	RTRT31163		BLOCK BRAKE R D. 90-D.14 DX	1,00	26/04/1999	--	--
0039	ABGO34061		VIBRATION DAMP. CL.25X17- 1M6X12 60SH NBR	1,00	26/04/1999	--	--
0040	MPVR29993		BUSHING D. 12X24-16 L=14 OT.	2,00	26/04/1999	--	--



Ref. K	Part n.	Part n. 2	Description	Quantity	Validity		Price
					From	To	
0041	LAFN29987		BRAKE PEDAL TIG.300	1,00	26/04/1999	--	--
0042	LAFN29988		PROTECTION TIG.300	1,00	26/04/1999	--	--
0043	MEVR34121		COWLING T 115	1,00	27/10/2000	--	--
0044	LAFN29992		CONTROL PIN TIG.300	1,00	26/04/1999	--	--
0045	LAFN29997		CONTROL ROD L=660 M6	1,00	26/04/1999	--	--
0046	LAFN29999		CONTROL LEVER TIG.300	1,00	26/04/1999	--	--
0047	CMCV13590		CLAMP VT 8X11 M5 LOLY 700	1,00	26/04/1999	--	--
0048	LAFN30016		CROSS PIECE TIG.300	1,00	26/04/1999	--	--
0049	MLML12055		SPRING TR144 D. 12 X41 F.1.5	2,00	26/04/1999	--	--
0050	CMCV12069		REGISTER CH.12X 8MAX35	1,00	26/04/1999	--	--
0051	RTRT29971		BLOCK BRAKE R D. 90-D.20 DX	1,00	26/04/1999	30/06/2008	--
0051	RTRT40003		BLOCK BRAKE R D. 90-D.20 DX	1,00	01/07/2008	--	--
0051	RTRT31157		BLOCK BRAKE R D. 90-D.20 SX	1,00	26/04/1999	30/06/2008	--
0051	RTRT40004		BLOCK BRAKE R D. 90-D.20 SX	1,00	01/07/2008	--	--
0052	LAFN29975		SPACER D. 25-21 L=51	2,00	26/04/1999	--	--
0053	RTRT39072		WHEEL D. 13"X 5.00/ 6 PN.CR.T50	2,00	--	--	--
0054	LAFN29973		SPACER D. 25-21 L=24	2,00	26/04/1999	--	--
0055	MTCR29977		WARP KNITTING 1/2X 1/8 S.	2,00	26/04/1999	--	--
0056	MTCR29976		CHAIN 1/2X 1/8 S. 081 DIN 8187	1,36	26/04/1999	--	--
0057	CUVR29964		BALL BEARING 6000-2RS1	1,00	26/04/1999	--	--
0058	MTCR38078		PINION Z.12 P 1/2 X 1/8 S. T5	1,00	26/04/1999	--	--
0059	MTPL38077		PULLEY HTD 72.5M 25 D.16-35	1,00	26/04/1999	--	--
0060	CUVR29963		BALL BEARING 6003-2RS1	1,00	26/04/1999	--	--
0061	LAFN38076		PIN TIG.500	1,00	26/04/1999	--	--
0062	LAFN29966		PLATE TIG.300	2,00	26/04/1999	--	--
0063	LAFN29881		BELT-STRETCHER D. 12-50	2,00	26/04/1999	--	--
0064	MTCG38389		BELT HTD 670-5M 25	2,00	--	--	--
0067	MOCC38391		TRACTION MOTOR CC MP 24V 400W 2800G+PL.	1,00	30/06/1999	--	--
0068	LAFN29945		PANEL TIG.300 ANT.	1,00	26/04/1999	--	--
0069	LAFN29947		PANEL TIG.300 PST	1,00	26/04/1999	--	--
0070	MELF29909		LANTERN COBO	1,00	02/06/1999	--	--
0071	MELF29910		LAMP 24 V 70 W	1,00	02/06/1999	--	--
0072	MELF29912		GASKET COBO	1,00	02/06/1999	--	--
0073	MELF29911		FRAME COBO	1,00	02/06/1999	--	--
0074	LAFN30005		BATTERY SUPPORT TIG.300	1,00	26/04/1999	--	--
0075	LAFN29957		BATTERY CLAMP TIG.300	1,00	26/04/1999	--	--
0076	VTVR17333		HANDWHEEL M 8MAX15-LP 30	1,00	26/04/1999	--	--
0077	MPVR30008		BATTERY RUBBER 750X300	2,00	26/04/1999	--	--
0078	BAAC27034		BATTERY 80 AH 12V 420A	2,00	--	--	--
0079	LASL31543		BATT. TIE ROD TIG.300	1,00	26/04/1999	--	--
0080	LAFN30010		BATTERY CLAMP TIG.300 SUP.	1,00	26/04/1999	--	--
0081	MECB38662		CABLE SG 1X16 L= 50/ 50	1,00	26/04/1999	--	--
0082	LAFN38396		PROTECTION T.500 SX	1,00	26/04/1999	--	--
0082	LAFN38398		PROTECTION T.500 DX	1,00	26/04/1999	--	--



Ref. K	Part n.	Part n. 2	Description	Quantity	Validity		Price
					From	To	
0083	CUVR35782		BALL BEARING 7205 BE	1,00	02/06/1999	--	--
0084	VTAE09655		SEEGER ESTERNO DIN 471 D.25	1,00	02/06/1999	--	--
0085	MPVR33116		HALF BEARING PP 2.V	2,00	26/04/1999	--	--
0086	CUVR15981		BALL BEARING 6205 2RS1	1,00	02/06/1999	--	--
0087	MELF38915		LANTERN COBO ORANGE	1,00	26/04/1999	--	--
9999	MECB38663		CABLE SG 1X16 L= 30	1,00	26/04/1999	--	--



Ref. K	Part n.	Part n. 2	Description	Quantity	Validity		Price
					From	To	
B	BAAC27034		BATTERY 80 AH 12V 420A	2,00			--
H	MELF29910		LAMP 24 V 70 W	1,00			--
BZ	MECB42944		BUZZER D.42 PK-35A29WQ CBL	1,00	27/10/2000		--
F1	MEVR09008		FUSE 10 A RSS	1,00			--
IC	MECI30416		SWITCH ZADI 8328	1,00	27/10/2000		--
IH	MECI30499		SWITCH 10A - 250VAC	1,00	27/10/2000		--
IS	MECI37826		BUTTON ON-OFF INST. TIG.	1,00		14/05/2001	--
IS	MECI40050		FEED PEDAL PML/F 15A 250V An.BK/TIG.	1,00	10/04/2018		--
IS	MECI42352		FEED PEDAL MP 6114/F 240V 16A	1,00	09/05/2001	09/04/2018	--
L1	MELF38917		LAMP 24V 10W SF.	1,00	26/04/1999		--
L2	MELF12177		LAMP FLASH 24V 21W AR.	1,00			--
PE	MPVR32517		KNOB TIG.	1,00	26/04/1999		--
PE	MPVR32518		CAP COBO	1,00	26/04/1999		--
PE	MECI32516		SWITCH 25A COBO	1,00	02/06/1999		--
EC1	MECE35742		ELEC.CIRCUIT PM04 150A 24V	1,00			--
EC2	MECE38916		ELEC.CIRCUIT INT. 12/24V 20W TIG	1,00	26/04/1999		--
ILC	MECE34007		ELEC.CIRCUIT LED TIGER +BZ. 2.V	1,00			--
INV	MECI34120		SWITCH T 115-EA	1,00	27/10/2000		--
PKL	MECI30417		SWITCH D.15 TIG.	1,00	27/10/2000		--
POT	MEVR31306		KNOB D.22 DX TIGER 300	1,00			--
RL1	METT36724		CONTACTOR MAC 15 D 24V DC S.C.	1,00			--
RL2	METT36723		CONTACTOR MAC 15 R 24V DC S.I.	1,00			--
RL3	METT36723		CONTACTOR MAC 15 R 24V DC S.I.	1,00			--