

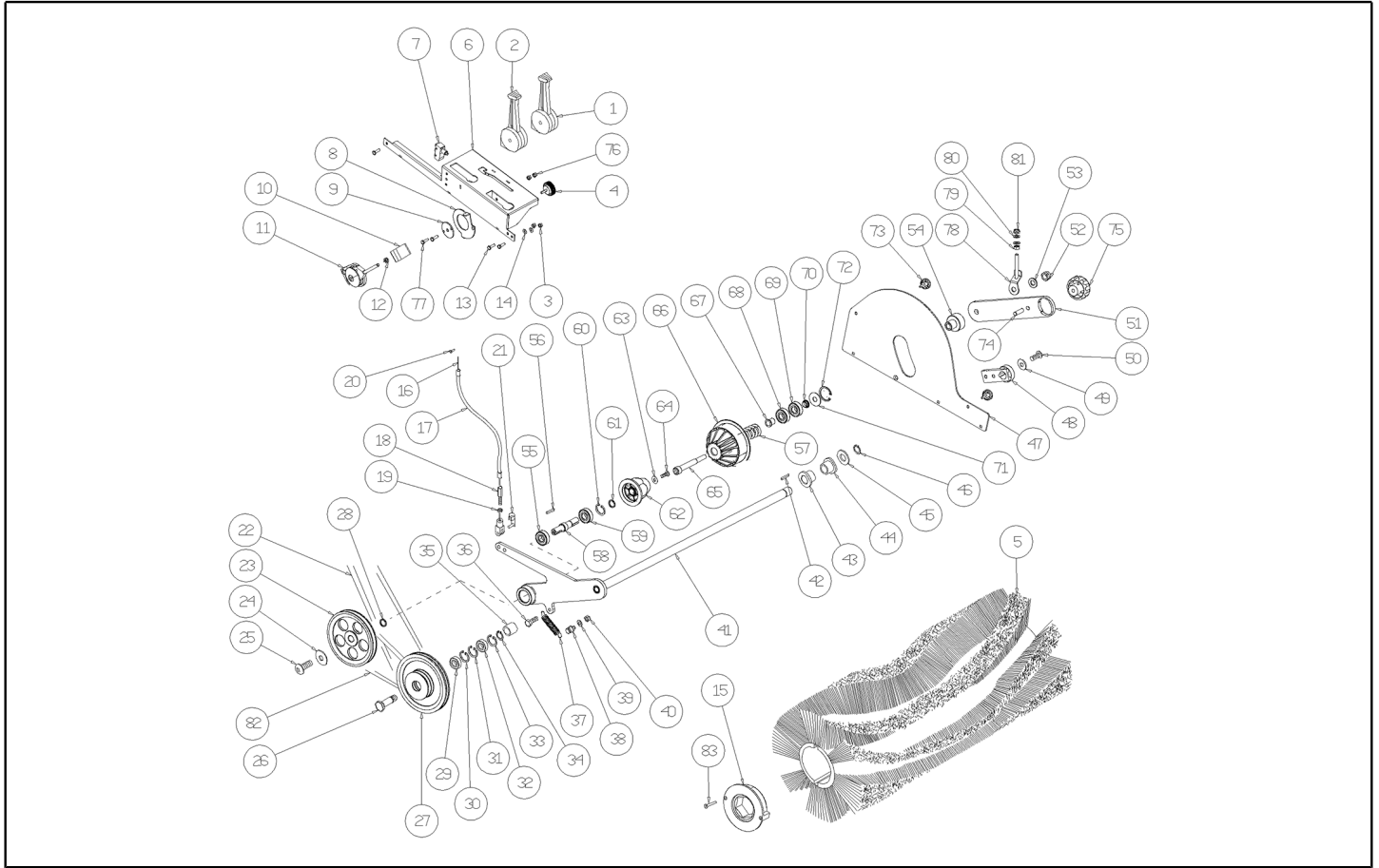


**IPC**

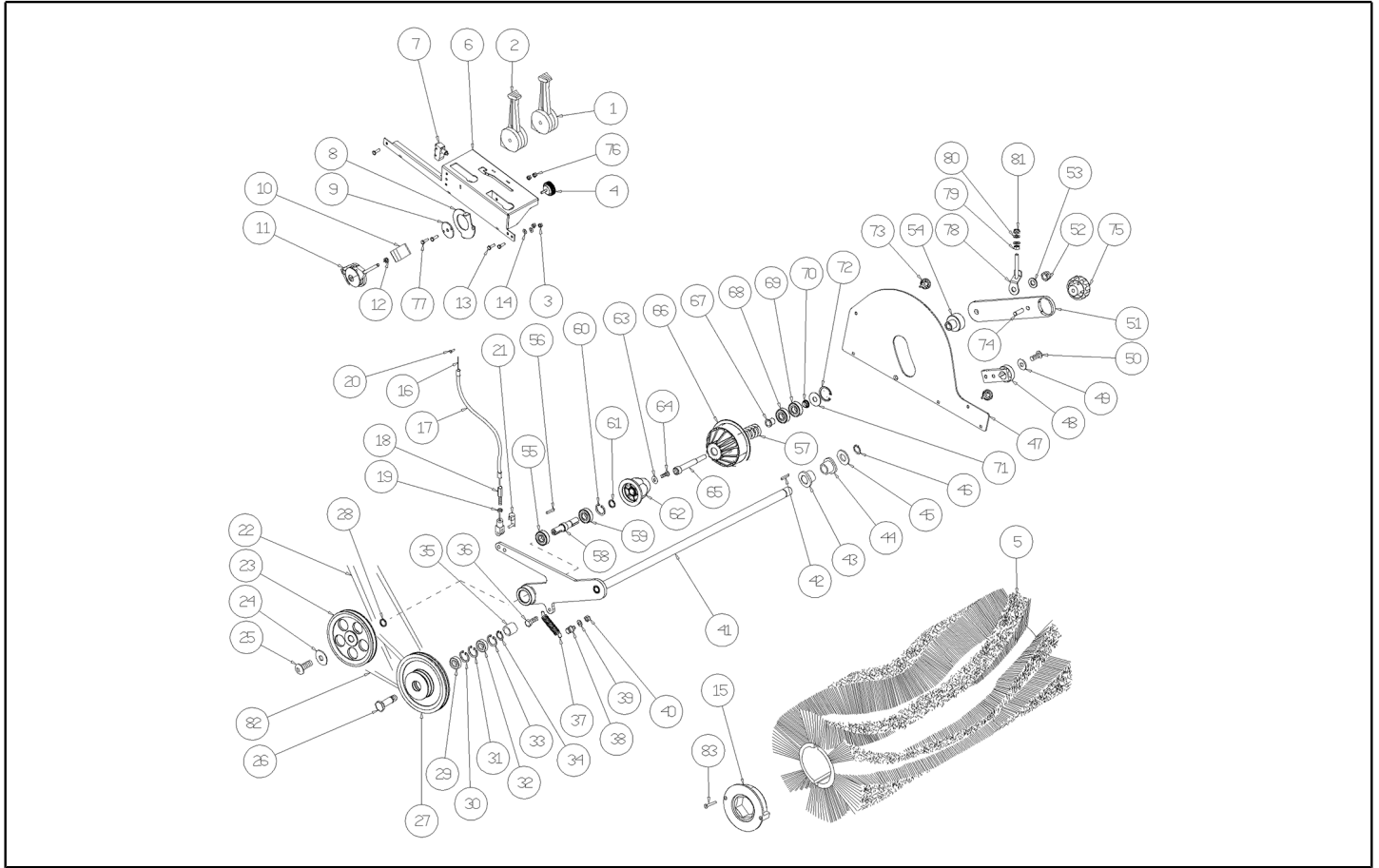
**Spare parts list**

Ref: MSUB00610

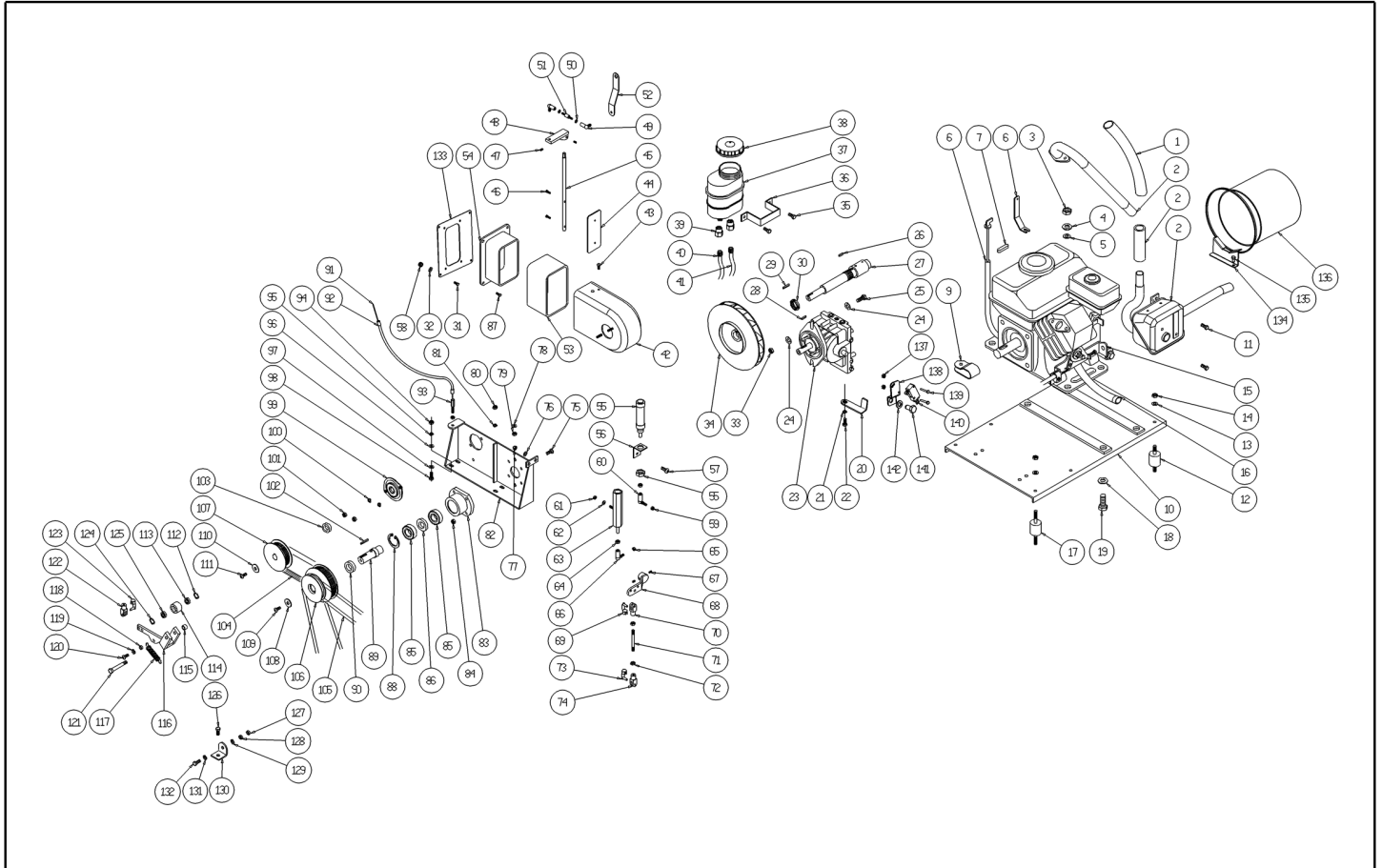
Model: SWEEPER 1250 P F.PAN. GR/VE 2SP



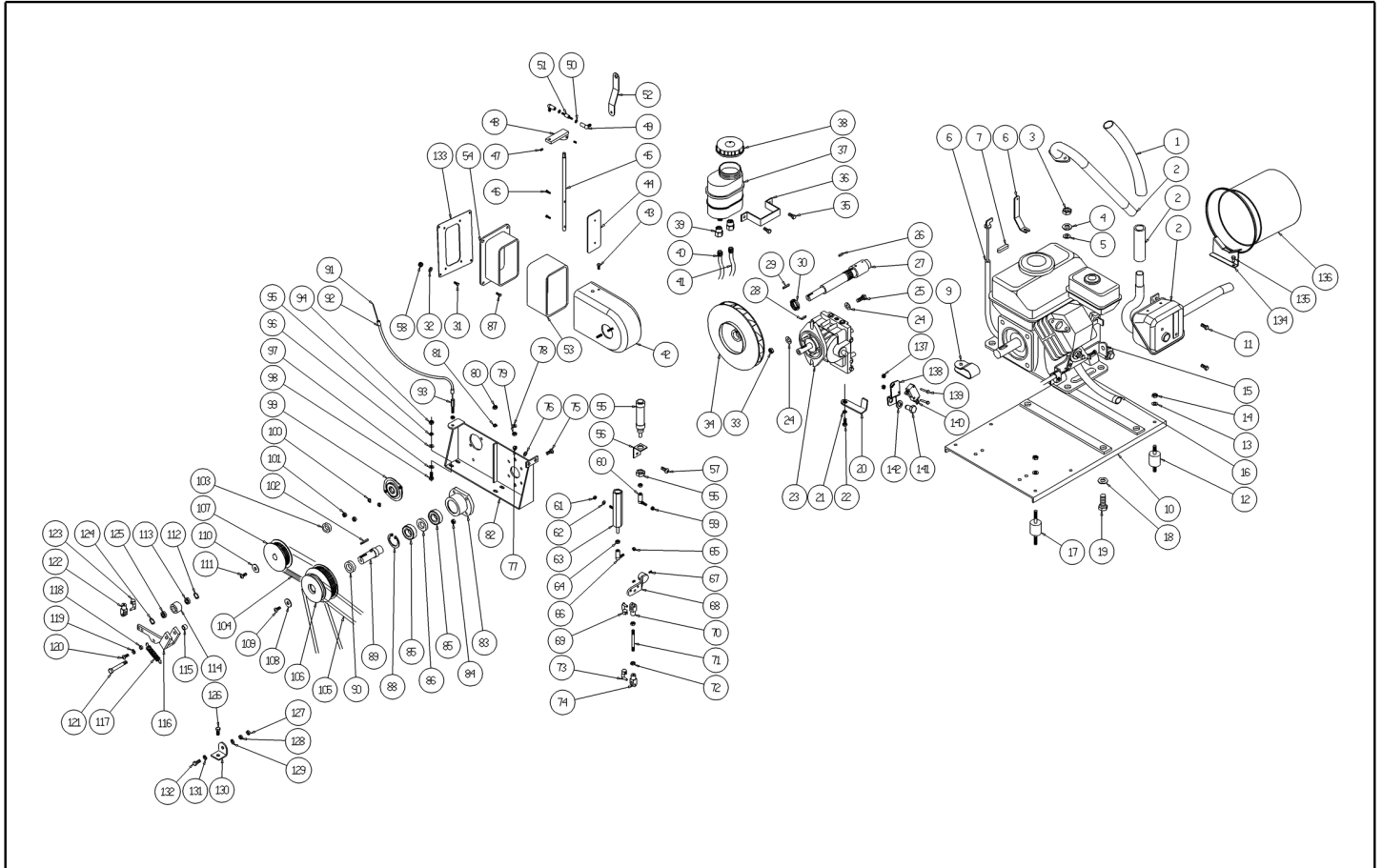
Ref. K	Part n.	Part n. 2	Description	Quantity	Validity		Price
					From	To	
0001	LAFN87159		LEVER SX TK 1000S	1,00			--
0002	LAFN87160		LEVER DX TK 1000S	1,00			--
0003	VTDD00491		NUT M 6 TEF	2,00			--
0004	VTVT00125		HANDWHEEL D.40 M6X15	1,00			--
0005	SPPV75791		CENTRAL BRUSH 680X280mm	1,00			--
0006	LAFN08172		SHEET METAL PA. TK1000	1,00			--
0007	MECI75801		MICROSWITCH A PISTONE (MS/10-Z15GC)	1,00			--
0008	LAFN08186		SHEET METAL PA. -	1,00			--
0009	LAFN08176		THICKNESS -	1,00			--
0010	CMCV33356		MANOEUVRE LEVER INOX C/POM.SX NRO	1,00			--
0011	CMCV33356		MANOEUVRE LEVER INOX C/POM.SX NRO	1,00			--
0012	VTDD00483		NUT M 8 ZIN UNI 5588	1,00			--
0013	VTVT62920		SCREW TE FR 6X16 ZB ZIGRINATE	3,00			--
0014	VTRS00504		WASHER D. 8 ZC. UNI 6592	2,00			--
0015	LAFN45099		DRIVE DISK CENTRAL BRUSH	1,00			--
0016	CMCV00451		CABLE STEEL MAIN BRUSH LIFTING	1,00			--
0017	CMCV47132		SHEATH L.14 A.FLAP	1,00			--
0018	LAFN76659		PIN REGISTR.CAVO ALZA SPAZZ.	1,00			--
0019	VTDD86871		NUT UNI 5589 M7 ZB	1,00			--
0020	VTVT34115		SCREW TE M 5X 10 UNI 5739	1,00			--
0021	CMCV75718		CLIP UNI 1676 M8x16	1,00			--
0022	MTCG00140		BELT -	1,00			--
0023	MTPL75998		PULLEY CENTRAL BRUSH ACTIVATION	1,00			--
0024	VTRS00513		WASHER UNI 6593 8X32X2,5 ZB	1,00			--
0025	VTVT87271		SCREW TBCE ISO 7380 8X16 ZB	1,00			--
0026	LAFN00465		PIN FISSAG.PULEGGIA RINVIO	1,00			--
0027	MTPL00017		PULLEY DI RINVIO TK1000S	1,00		04/10/2022	--
0027	MTPL75999		PULLEY BELT TRANSMISSION CENT.BR	1,00	05/10/2022		--
0028	LAFN06823		SPACER CUSCINETTI ALB.SPAZ.CENT.	1,00			--
0029	CUVR00005		BEARING 6202 2RS	1,00		06/06/2023	--
0029	CUVR17004		BALL BEARING 6202 -2RS1	1,00	07/06/2023		--
0030	VTAE17002		CIRCLIP D. 35 UNI 7437	1,00			--
0031	VTAE17002		CIRCLIP D. 35 UNI 7437	1,00			--
0032	CUVR00005		BEARING 6202 2RS	1,00		06/06/2023	--
0032	CUVR17004		BALL BEARING 6202 -2RS1	1,00	07/06/2023		--
0033	VTAE17002		CIRCLIP D. 35 UNI 7437	1,00			--
0034	VTAE17003		CIRCLIP ESTERNO DIN 471 D.15	1,00			--
0035	LAFN00091		BUSHING PER PULEGGIA TRAINO	1,00			--
0036	VTVT63129		SCREW TE FR 8X16 ZB ZIGRINATE	1,00			--
0037	MLML87162		SPRING CON GANCI D.17X2X150 ZB	1,00			--
0038	LAFN00464		PIN MOLLA RITORN.SPAZZ.CENTR.	1,00			--
0039	VTRS00504		WASHER D. 8 ZC. UNI 6592	1,00			--
0040	VTDD00124		NUT M8 DIN985	1,00			--
0041	LAFN08197		ARM -	1,00			--



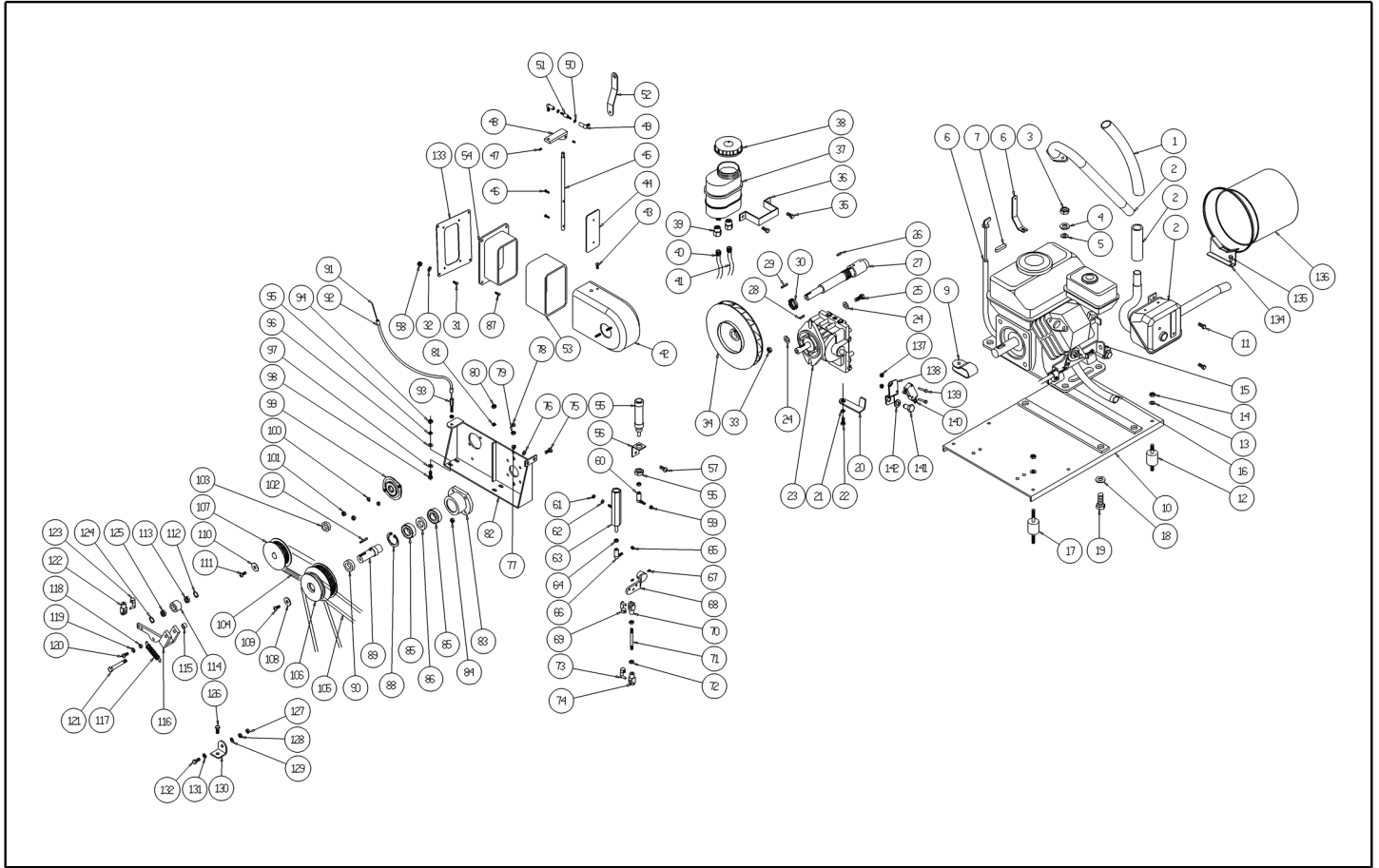
Ref. K	Part n.	Part n. 2	Description	Quantity	Validity		Price
					From	To	
0042	VTVR28706		KEY UNI 6604 6X6X20	1,00			--
0043	MPVR85319		BUSHING INTERNA SUPPORTO BILANC.	1,00			--
0044	MPVR85319		BUSHING INTERNA SUPPORTO BILANC.	1,00			--
0045	VTRS00509		WASHER D.20 PIANA Z. UNI6592	1,00			--
0046	VTAE06193		CIRCLIP D. 20 UNI 7435	1,00			--
0047	LAFN36064		CLOSURE BRUSH COMPARTMENT	1,00			--
0048	LAFN00699		CLAMP BRACCIO BLOC.SPAZZ.TK1000	1,00			--
0049	VTRS00514		WASHER UNI 6593 10X30X2,5 ZB	1,00			--
0050	VTVT47025		SCREW TBCE ISO 7380 10X16 ZB	1,00			--
0051	LAFN08193		ARM -	1,00			--
0052	VTDD00012		NUT AUTOBLOK DIN 985 M12 ZB	1,00			--
0053	VTRS00506		WASHER D.12 UNI 6592	1,00			--
0054	LAFN06836		PIN CENTRAGGIO PROTEZIONE	1,00		03/09/2015	--
0054	LAFN09473		BUSHING -	1,00	04/09/2015		--
0055	CUVR17004		BALL BEARING 6202 -2RS1	1,00			--
0056	VTVR13165		KEY UNI 6604 5X5X20	1,00			--
0057	MLML00295		SPRING SPAZZOLA CENTRALE	1,00			--
0058	LAFN08198		SHAFT -	1,00			--
0059	CUVR17004		BALL BEARING 6202 -2RS1	1,00			--
0060	VTAE17002		CIRCLIP D. 35 UNI 7437	1,00			--
0061	LAFN06823		SPACER CUSCINETTI ALB.SPAZ.CENT.	1,00			--
0062	MPVR04915		HUB CENTRAL BRUSH 1404	1,00			--
0063	VTRS04026		WASHER D. 6X18X2.38	1,00			--
0064	VTVT62920		SCREW TE FR 6X16 ZB ZIGRINATE	1,00			--
0065	VTVT01128		SCREW TCCE UNI 5931 12X120 ZB	1,00			--
0066	MPVR04923		SUPPORT SPAZZOLA CENTRALE	1,00			--
0067	LAFN06782		BUSHING PER CUSCINETTO	1,00			--
0068	CUVR17004		BALL BEARING 6202 -2RS1	1,00			--
0069	CUVR17004		BALL BEARING 6202 -2RS1	1,00			--
0070	LAFN06783		BUSHING PER CUSCINETTO 1	1,00			--
0071	VTRS00553		WASHER PARAPOLVERE	1,00			--
0072	VTAE17002		CIRCLIP D. 35 UNI 7437	1,00			--
0073	RTRT00022		HANDWHEEL D.30 M6X15	1,00			--
0074	VTVT00046		GRUB SCREW UNI 5923 8X35 ZB	1,00			--
0075	VTVR00047		HANDWHEEL D.50 M8	1,00			--
0076	VTDD00491		NUT M 6 TEF	2,00			--
0077	VTVT00444		SCREW TE 6X20 UNI5739	2,00			--
0078	LAFN08826		REGISTER -	1,00	19/05/2015		--
0079	VTDD00483		NUT M 8 ZIN UNI 5588	1,00	19/05/2015		--
0080	VTRS00504		WASHER D. 8 ZC. UNI 6592	2,00	19/05/2015		--
0081	VTDD00124		NUT M8 DIN985	1,00	19/05/2015		--
0082	MTCG00138		BELT XPZ ESEC.6T 6B LP758	1,00			--
0083	VTVT01705		SCREW 4X45 UNI 9709	2,00			--



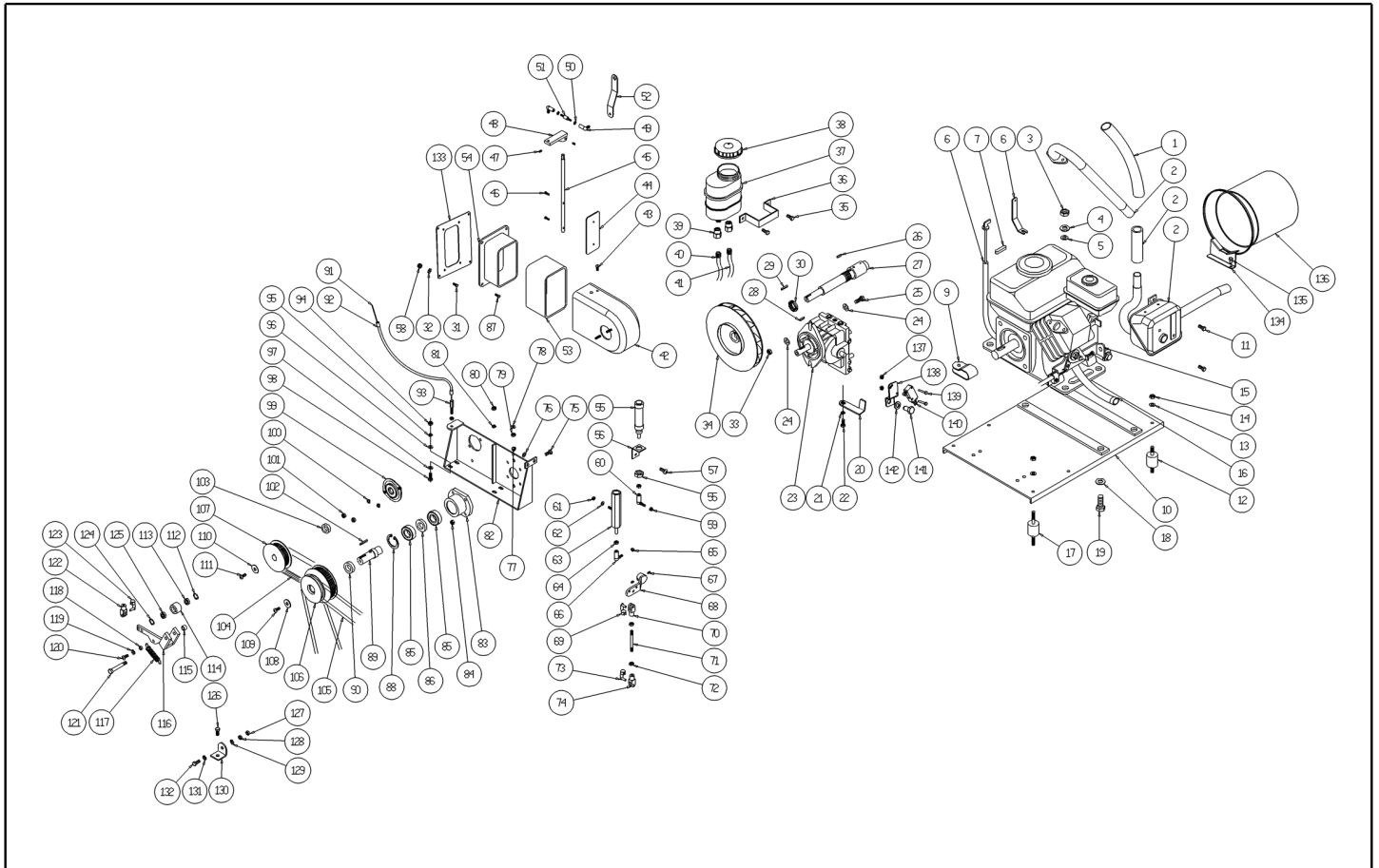
Ref. K	Part n.	Part n. 2	Description	Quantity	Validity		Price
					From	To	
0001	TBFX85186		TUBE FX300 D.19X160 X MARMITTA	1,00		06/10/2015	--
0001	TBFX00057		FLEXIBLE HOSE	0,27	07/10/2015		--
0002	MRSC85184		SILENCER COMPL.DI TUBI E STAF.VERN	1,00			--
0003	VTDD00124		NUT M8 DIN985	1,00			--
0004	VTRS01080		WASHER D. 8 GRW	1,00			--
0005	VTRS00504		WASHER D. 8 ZC. UNI 6592	1,00			--
0006	TBBP38393		EXTENSION HONDA GX 160	1,00			--
0007	VTVR85820		KEY PER MOTORE HONDA GX160	1,00			--
0009	FSVR00002		CLAMP EKOFLEX 9 23-35	1,00			--
0010	LAFN00702		MOTOR SUPPORT HONDA TK1000S VERNICIATO	1,00			--
0011	VTVT85116		SCREW AUTOF.TE FR 6,3X19 ZB	2,00			--
0012	ABGO00007		VIBRATION DAMP. MM 30X25 8X16	3,00			--
0013	VTRS01080		WASHER D. 8 GRW	6,00			--
0014	VTDD00124		NUT M8 DIN985	6,00			--
0015	MOSC00003		MOTOR HONDA GX160 K1 QXW	1,00			--
0016	TBBP47172		TUBE OLIO D.6mm 300F/F 1/4"	1,00			--
0017	ABGO00007		VIBRATION DAMP. MM 30X25 8X16	4,00			--
0018	VTRS00512		WASHER D. 8 X24 ZC.	4,00			--
0019	VTVT00452		SCREW TE 8X 50 UNI 5739	4,00			--
0020	LAFN07257		LEVER BYPASS	1,00			--
0021	VTRS01080		WASHER D. 8 GRW	1,00			--
0022	VTVT00446		SCREW TE UNI 5739 8X20 ACC.8.8	1,00			--
0023	PPBP00048		PUMP 10 CC	1,00			--
0024	VTRS00505		WASHER D.10 UNI 6592	4,00			--
0025	VTVT00459		SCREW TE M 10X40 ZINC. UNI 5739	2,00			--
0026	VTVR28705		KEY UNI 6604 6X6X15	1,00			--
0027	ALTR75830		FAN SHAFT	1,00			--
0028	VTVR16617		KEY 6X 6X30 UNI 6604	1,00			--
0029	VTVR16617		KEY 6X 6X30 UNI 6604	1,00			--
0030	VTVT00114		RING NUT AUTOBLOK M30X1,5 GUK	1,00			--
0031	VTVT62920		SCREW TE FR 6X16 ZB ZIGRINATE	2,00			--
0032	VTRS04026		WASHER D. 6X18X2.38	4,00			--
0033	VTDD00042		NUT AUT.M10 UNI7474	2,00			--
0034	VEVR00003		IMPELLER D.220X35 16 PALE TK1000S	1,00			--
0035	VTVT00527		SCREW TE FR 6X10 ZB ZIG.	2,00			--
0036	LAFN00306		CLAMP FISS.SERBAT.OLIO 1000S	1,00			--
0037	MPVR00015		TANK X OLIO CON FILTRO TK1000S	1,00			--
0038	MPVR00016		CAP Hydraulik tank	1,00			--
0039	RCDS00001			2,00			--
0040	TBBP00436		TUBE L=490	1,00			--
0041	TBBP87182		TUBE BASSA PRESSIONE L.670	1,00			--
0042	MPVR00194		SCROLL TK1000S	1,00			--
0043	VTVT75726		SCREW TBCE ISO 7380 6X16 ZB	1,00			--
0044	LAFN01072		VALVE A FARFAL.X COCLEA TK100S	1,00			--



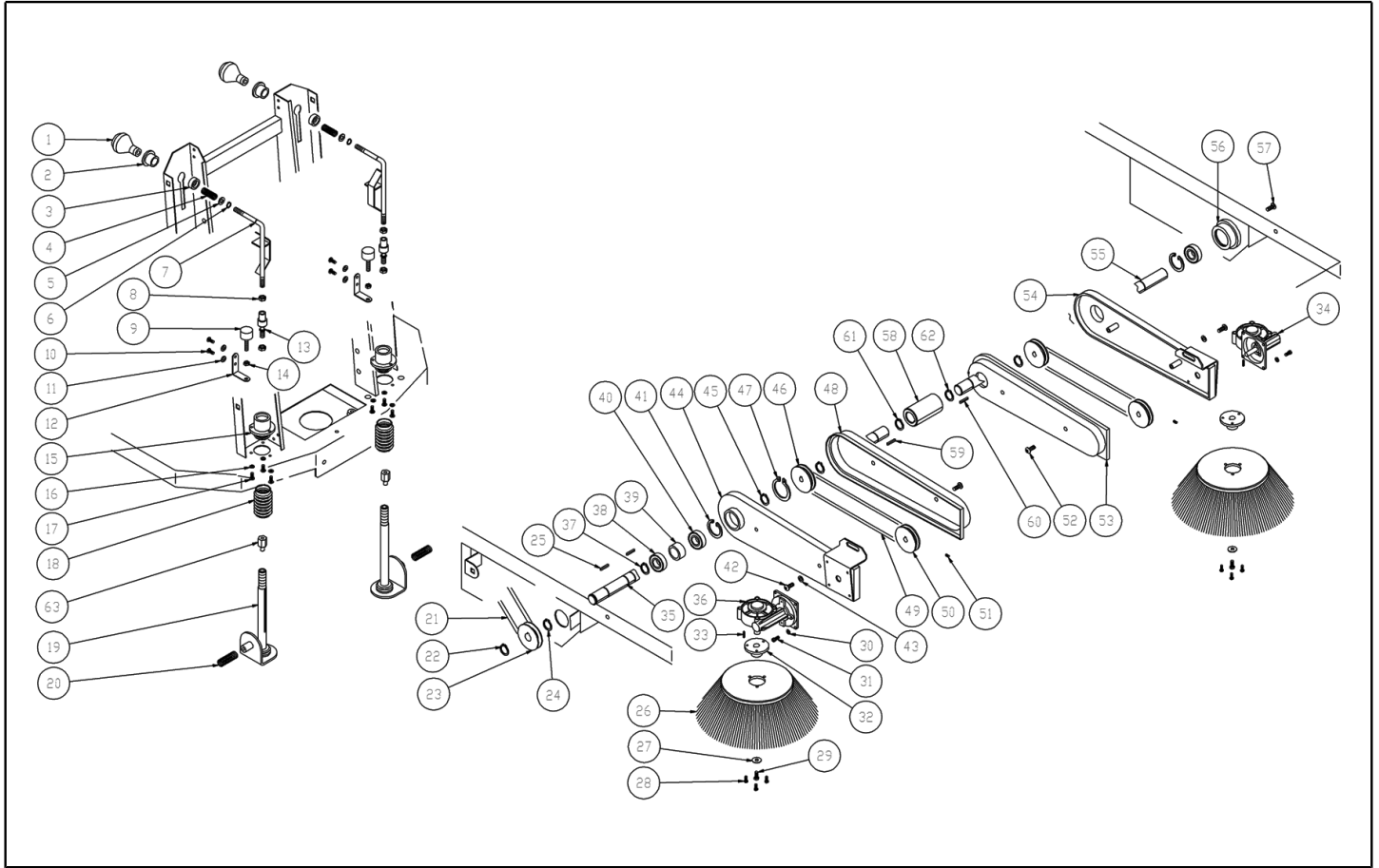
Ref. K	Part n.	Part n. 2	Description	Quantity	Validity		Price
					From	To	
0045	ALTR00017		SHAFT FARFALLA TK1000S	1,00			--
0046	VTVT17639		SCREW TCCE UNI 5931 5X10 ZB	2,00			--
0047	VTVT00052		GRUB SCREW UNI 5927 8X8 CON PUNTA	2,00			--
0048	LAFN00714		ARM APERTURA FARFAL.1000S ZN	1,00			--
0049	VTVR45280		TOGGLE-JOINT M 6	4,00			--
0050	VTDD00482		NUT M 6 ZIN UNI 5588	1,00			--
0051	LAFN00467		PIN SNODO FARFAL.ASPIRAZ.	1,00			--
0052	LAFN00351		LEVER COMANDO APERT.FARFAL.ZINC	1,00			--
0053	MPVR06084		RUBBER -	1,00			--
0054	LAFN00303		FLANGE FISSAGGIO COCLEA TK1000S	1,00			--
0055	VTVT00118		CYLINDER MICROCILINDRO TK 1000S	1,00			--
0056	LAFN00713		BRACKET FISSAG.CILIND.PNEUMAT.ZN	1,00			--
0057	VTVT75727		SCREW TBCE ISO 7380 8X25 ZB	1,00			--
0058	VTDD00491		NUT M 6 TEF	4,00			--
0059	VTDD00482		NUT M 6 ZIN UNI 5588	1,00			--
0060	VTVR45280		TOGGLE-JOINT M 6	1,00			--
0061	VTDD00124		NUT M8 DIN985	1,00			--
0062	VTRS00504		WASHER D. 8 ZC. UNI 6592	1,00			--
0063	PMVR00191		CYLINDER STABILIZZATORE 1000S COMP	1,00			--
0064	VTDD00482		NUT M 6 ZIN UNI 5588	1,00			--
0065	VTDD00482		NUT M 6 ZIN UNI 5588	1,00			--
0066	VTVR45280		TOGGLE-JOINT M 6	1,00			--
0067	VTVT00047		GRUB SCREW UNI 5923 8X8	2,00			--
0068	LAFN85725		ARM SBLOCCO POMPA TK1000S ZIN	1,00			--
0069	CMCV75718		CLIP UNI 1676 M8x16	1,00			--
0070	CMCV00001		FORK UNI 1676 M8x16	1,00			--
0071	LAFN00470		PIN DI COLLEG.POMPA A PED.DIR	1,00			--
0072	VTDD00483		NUT M 8 ZIN UNI 5588	1,00			--
0073	CMCV75718		CLIP UNI 1676 M8x16	1,00			--
0074	CMCV00001		FORK UNI 1676 M8x16	1,00			--
0075	VTVT63134		SCREW M 8X25 TSPEI ZC UNI 5933	4,00			--
0076	VTRS00504		WASHER D. 8 ZC. UNI 6592	1,00			--
0077	VTDD00124		NUT M8 DIN985	1,00			--
0078	VTRS00504		WASHER D. 8 ZC. UNI 6592	1,00			--
0079	VTDD00124		NUT M8 DIN985	1,00			--
0080	VTDD00124		NUT M8 DIN985	1,00			--
0081	VTRS01080		WASHER D. 8 GRW	1,00			--
0082	LAFN00706		SUPPORT POMPA TK1000S VERNICIATO	1,00			--
0083	MFVR85824		FLANGE FISS.CENTRAL.IDRAUL.1000S	1,00			--
0084	VTDD00124		NUT M8 DIN985	4,00			--
0085	CUVR86893		BEARING 6005 2RS	2,00			--
0086	LAFN87093		SPACER CUSCINETTO	1,00			--
0087	VTVT01109		SCREW TE M 6X 10 ZC. UNI 5739	4,00			--
0088	VTAE85823		SEEGER INTERNO DIN 472 D.47	1,00			--



Ref. K	Part n.	Part n. 2	Description	Quantity	Validity		Price
					From	To	
0089	ALTR85825		SHAFT TK1000S TK21001008	1,00			--
0090	LAFN85821		BUSHING X PULEGGIA 2 GOLE TIPO J	1,00			--
0091	CMCV00451		CABLE STEEL MAIN BRUSH LIFTING	1,00			--
0092	CMCV38615		SHEATH VIPLAST 3.5X6 X7 L. 315	1,00			--
0093	CMCV75723		REGISTER D.7	1,00			--
0094	VTDD00124		NUT M8 DIN985	1,00			--
0095	VTRS01080		WASHER D. 8 GRW	1,00			--
0096	VTRS00504		WASHER D. 8 ZC. UNI 6592	1,00			--
0097	VTRS00504		WASHER D. 8 ZC. UNI 6592	1,00			--
0098	VTVT00447		SCREW TE 8X25 UNI5739	4,00			--
0099	CUVR58861		BEARING SBPFL 204 BK	1,00			--
0100	VTRS00504		WASHER D. 8 ZC. UNI 6592	2,00			--
0101	VTDD00124		NUT M8 DIN985	2,00			--
0102	VTVR16617		KEY 6X 6X30 UNI 6604	1,00			--
0103	LAFN00099		SPACER PULEGGIA MOTORE VENTOLA	1,00			--
0104	MTCG75777		BELT POLY 660-260 J 10	1,00			--
0105	MTCG00139		BELT XPZ ESEC.6T 6B LP825	1,00			--
0106	MTPL85900		PULLEY 2 GOLE X CINGH.POLY 660J	1,00			--
0107	MTPL86537		PULLEY 1 GOLA X CINGH.POLY 660J	1,00			--
0108	VTRS00513		WASHER UNI 6593 8X32X2,5 ZB	1,00			--
0109	VTVT45395		SCREW TBCE ISO 7380 8X10 ZB	1,00			--
0110	VTRS00513		WASHER UNI 6593 8X32X2,5 ZB	1,00			--
0111	VTVT75724		SCREW TBCE ISO 7380 8X22 ZB	1,00			--
0112	VTAE13513		CIRCLIP D. 26 UNI 7437	1,00			--
0113	CUVR86373		BEARING 6000 2RS	1,00			--
0114	MTPL47061		ROLLER TENDICINGHIA TK1000S	1,00			--
0115	LAFN47060		SPACER RULLINO TENDICINGHIA	1,00			--
0116	LAFN00254		TRIGGER RULLO TENDIC TK1000S ZINC	1,00			--
0117	MLML00015		SPRING RIT.BR.LAT.D.19X3,25X57zb	1,00			--
0118	LAFN00100		BUSHING LEVA TENDICINCHIA TK1000S	1,00			--
0119	VTRS00504		WASHER D. 8 ZC. UNI 6592	1,00			--
0120	VTVT00017		SCREW TE UNI 5739 8X35 ZB	1,00			--
0121	VTVR00035		PIN M6X45 CH.12	1,00			--
0122	CMCV00001		FORK UNI 1676 M8X16	1,00			--
0123	CMCV75718		CLIP UNI 1676 M8x16	1,00			--
0124	VTAE13513		CIRCLIP D. 26 UNI 7437	1,00			--
0125	CUVR86373		BEARING 6000 2RS	1,00			--
0126	VTVT85116		SCREW AUTOF.TE FR 6,3X19 ZB	1,00			--
0127	VTDD00483		NUT M 8 ZIN UNI 5588	1,00			--
0128	VTDD00483		NUT M 8 ZIN UNI 5588	1,00			--
0129	VTRS00504		WASHER D. 8 ZC. UNI 6592	1,00			--
0130	LAFN48831		BRACKET FISSAGGIO MOLLA ZINCATO	1,00			--
0131	VTRS00504		WASHER D. 8 ZC. UNI 6592	1,00			--
0132	VTVT00017		SCREW TE UNI 5739 8X35 ZB	1,00			--

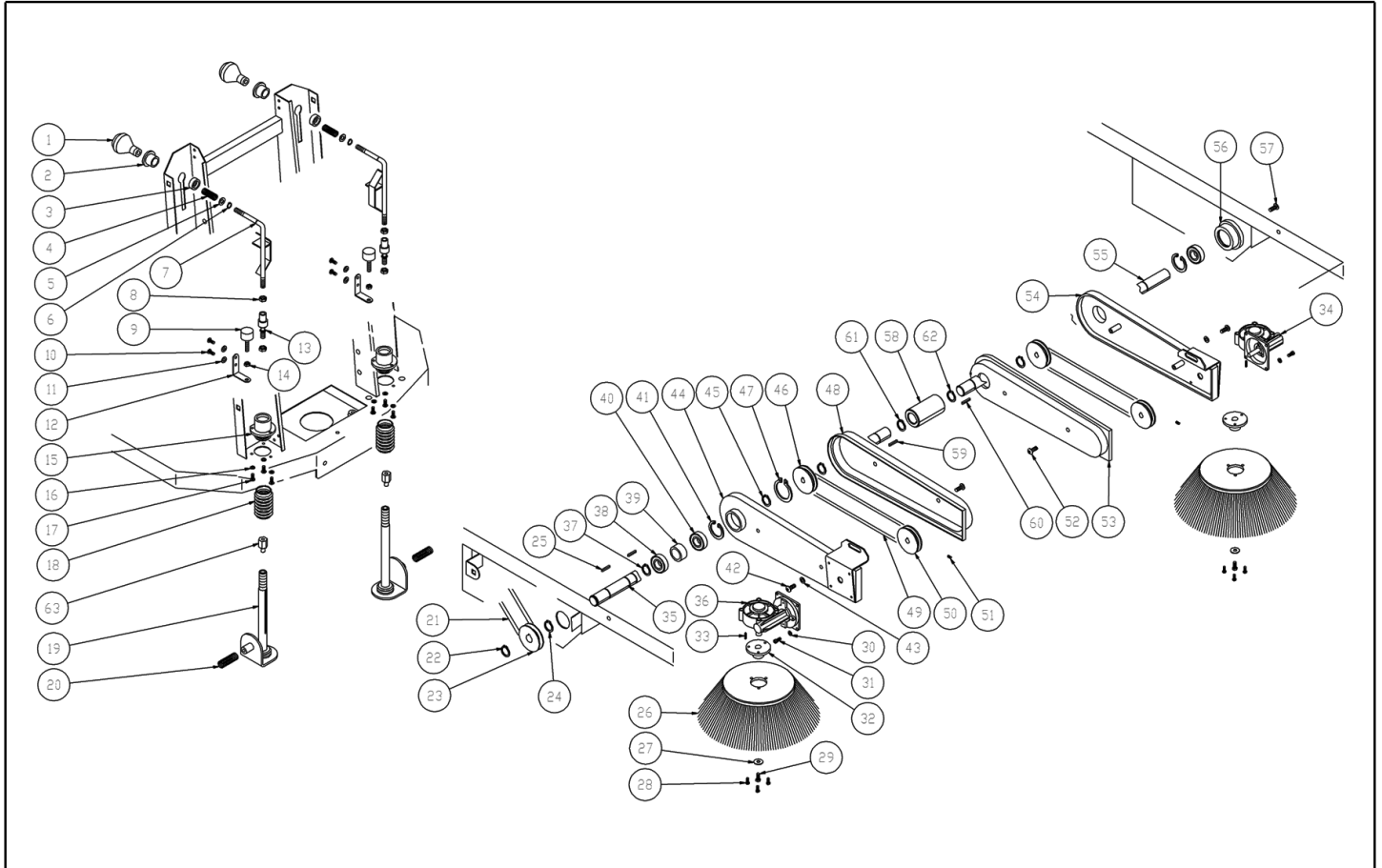


Ref. K	Part n.	Part n. 2	Description	Quantity	Validity		Price
					From	To	
0133	LAFN08173		SHEET METAL PA. TK1000	1,00			--
0134	LAFN09374		BRACKET -	1,00		29/09/2014	--
0134	KTRI05105		KIT REPLACE LAFN09374	1,00	30/09/2014		--
0135	VTVT63129		SCREW TE FR 8X16 ZB ZIGRINATE	1,00		29/09/2014	--
0136	TBFX33835		HOSE FLEX D.180 ASPIREX PVC GR	0,32			--
0137	VTDD00001		NUT UNI 5588 M3 ZB	2,00			--
0138	LAFN09390		BRACKET -	1,00			--
0139	VTVT00021		SCREW TE UNI 5739 3X25 ZB	2,00			--
0140	MECI00114		MICROSWITCH	1,00			--
0141	VTVT01110		SCREW TE 8X16 UNI5739	1,00			--
0142	VTRS01080		WASHER D. 8 GRW	1,00			--

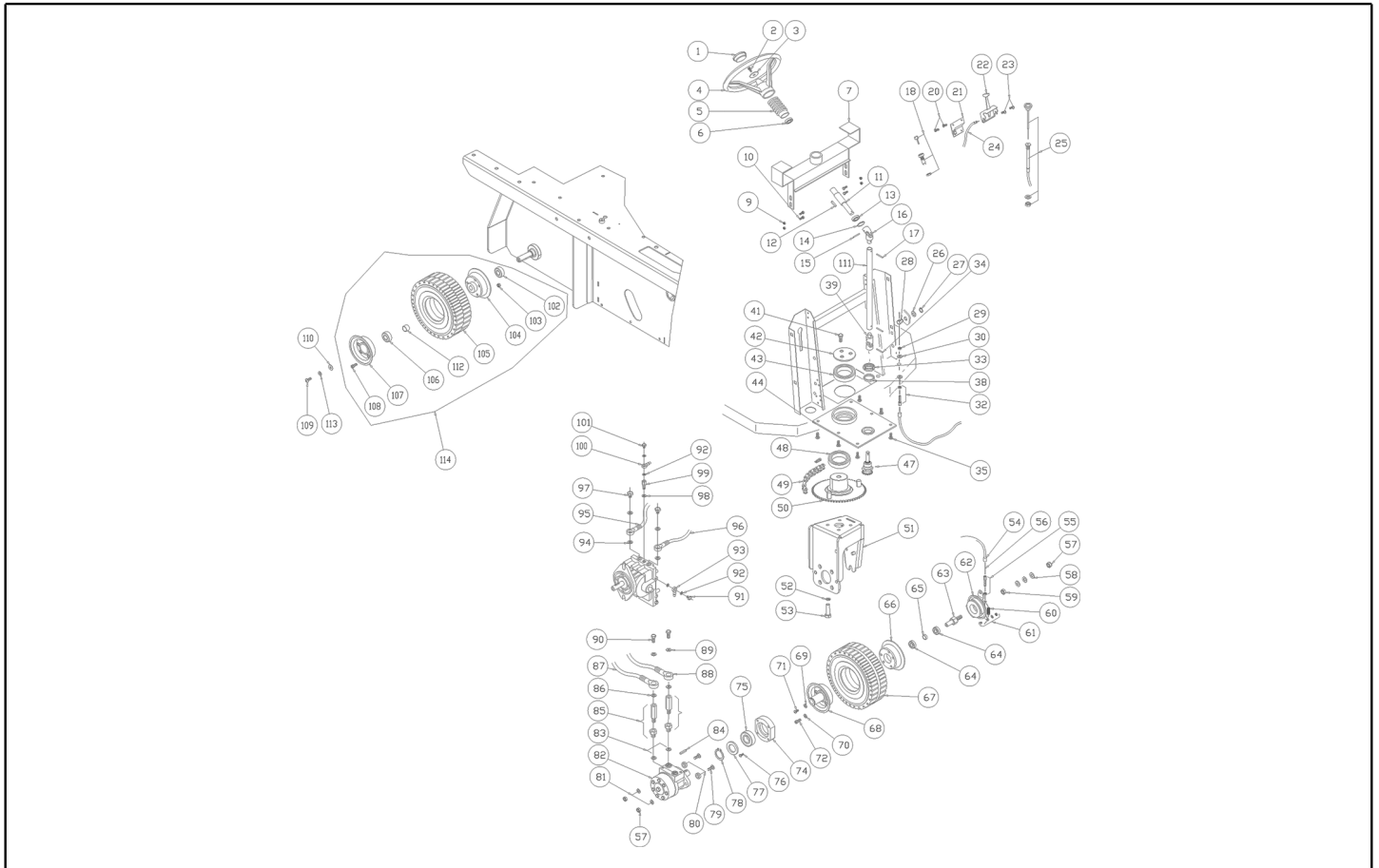


Ref. K	Part n.	Part n. 2	Description	Quantity	Validity		Price
					From	To	
0001	MPVR87264		KNOB ALZASPAZ.LATERALE TK1000	2,00			--
0002	MPVR47076		BUSHING DI FERMO BRACCIO LAT.	2,00			--
0003	MPVR47074		BUSHING FERMO ALZASPAZ.LAT.INT.	2,00			--
0004	MLML47075		SPRING LEVA SPAZ.LAT.D.15X1,5X24	2,00			--
0005	VTRS00505		WASHER D.10 UNI 6592	2,00			--
0006	VTAE87276		SEEGER EXT. D10 DIN471	2,00			--
0007	LAFN00700		ARM DX ALZA SPAZ. TK1000 ZINC	2,00			--
0008	VTDD00484		NUT M10 ZIN UNI 5588	2,00		29/12/2014	--
0008	VTDD00008		NUT M10 UNI 5589 ZB	4,00	30/12/2014		--
0009	MPVR75799		FOOT 20X9 M6X18	2,00		29/12/2014	--
0009	ABGO00008		VIBRATION DAMP. PM 20X20 M6X20	2,00	30/12/2014		--
0010	VTVT75726		SCREW TBCE ISO 7380 6X16 ZB	4,00			--
0011	VTRS04026		WASHER D. 6X18X2.38	4,00			--
0012	MPVR86579		SUPPORT TK	2,00			--
0013	VTVR47072		ARTICULATION ASSIALE M10	2,00			--
0014	VTDD00482		NUT M 6 ZIN UNI 5588	2,00			--
0015	LAFN87266		FLANGE SUPP.SPAZ.LAT.TK1000S ZIN	2,00			--
0016	VTRS00503		WASHER D. 6 UNI 6592	6,00			--
0017	VTVT75726		SCREW TBCE ISO 7380 6X16 ZB	6,00			--
0018	MPVR47066		PROTECTOR X ALBERO SPAZZOLA TK1000	2,00			--
0019	LAFN87267		SUPPORT BRACCIO LAT.DX/SX 1000 ZN	2,00			--
0020	MLML75963		SPRING PREMI SPAZZ.D.20X2X37 ZB	2,00			--
0021	MTCG00139		BELT XPZ ESEC.6T 6B LP825	1,00			--
0022	VTAE13512		CIRCLIP D. 17 UNI 7435	1,00			--
0023	MTPL00016		PULLEY D.78 H.25	1,00			--
0024	VTAE13512		CIRCLIP D. 17 UNI 7435	1,00			--
0025	VTVR33667		KEY UNI 6604 5X5X25	2,00			--
0026	SPPV00018		SIDE-BRUSH 1202-1250-1280	2,00			--
0027	VTRS63242		WASHER UNI 6593 6X24X2 ZB	2,00			--
0028	VTVT62920		SCREW TE FR 6X16 ZB ZIGRINATE	6,00			--
0029	VTVT00527		SCREW TE FR 6X10 ZB ZIG.	2,00			--
0030	VTRS00503		WASHER D. 6 UNI 6592	8,00			--
0031	VTVT75726		SCREW TBCE ISO 7380 6X16 ZB	8,00			--
0032	LAFN45010		FLANGE L.1400 LT	2,00			--
0033	VTVR33667		KEY UNI 6604 5X5X25	2,00			--
0034	RDGR75786		REDUCTION UNIT SPAZ.LAT.SX TK1000S	1,00			--
0035	ALTR00098		SHAFT DX	1,00			--
0036	RDGR85001		REDUCTION UNIT SPAZ.LAT.DX TK1000S	1,00			--
0037	VTAE13512		CIRCLIP D. 17 UNI 7435	1,00			--
0038	CUVR00008		BEARING 6003 2RS	1,00			--
0039	LAFN00102		SPACER CUSCIN.MOZZO SOST.SP.LAT.	1,00			--
0040	CUVR00008		BEARING 6003 2RS	2,00			--
0041	VTAE17002		CIRCLIP D. 35 UNI 7437	2,00			--
0042	VTVT87271		SCREW TBCE ISO 7380 8X16 ZB	2,00			--

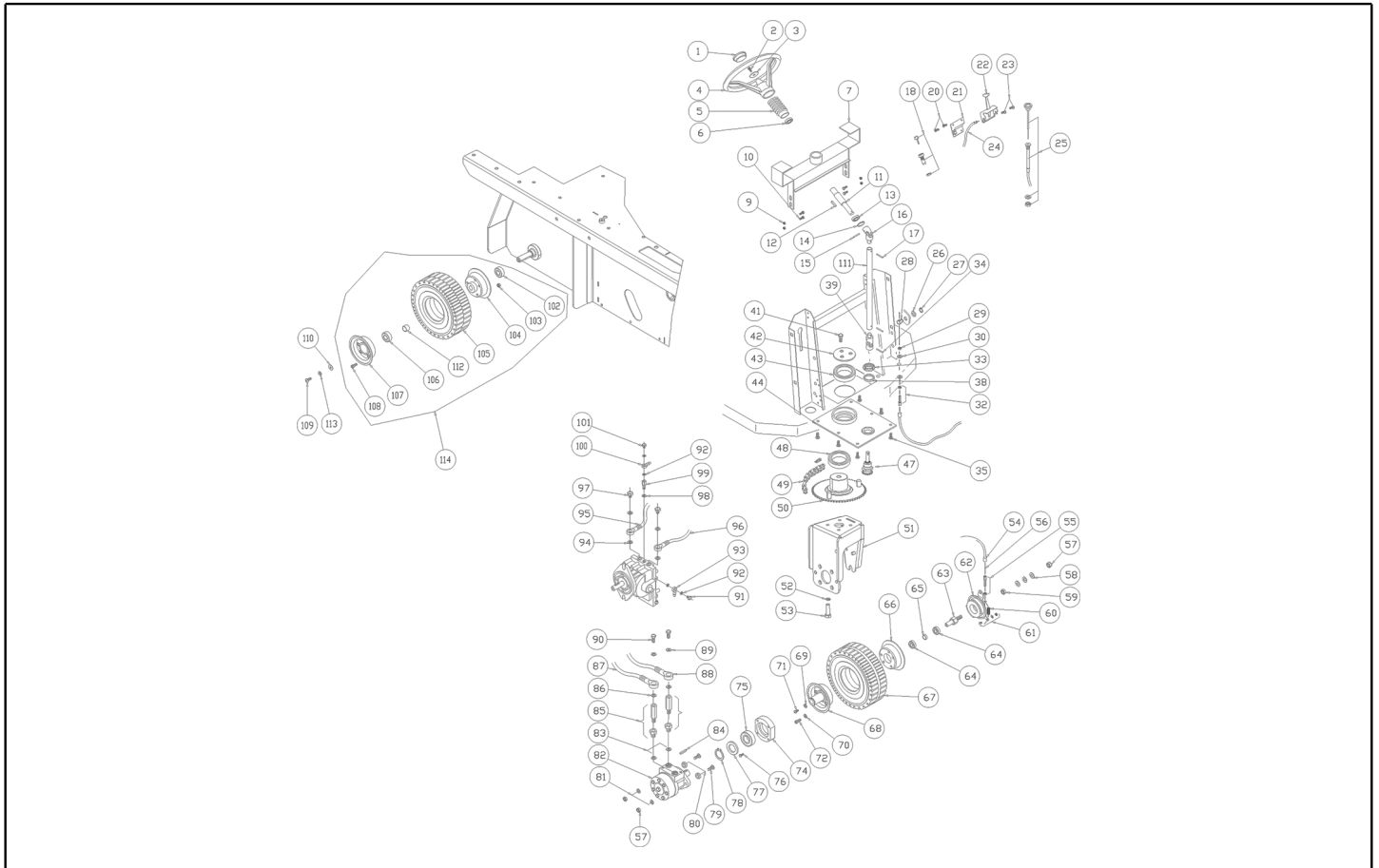




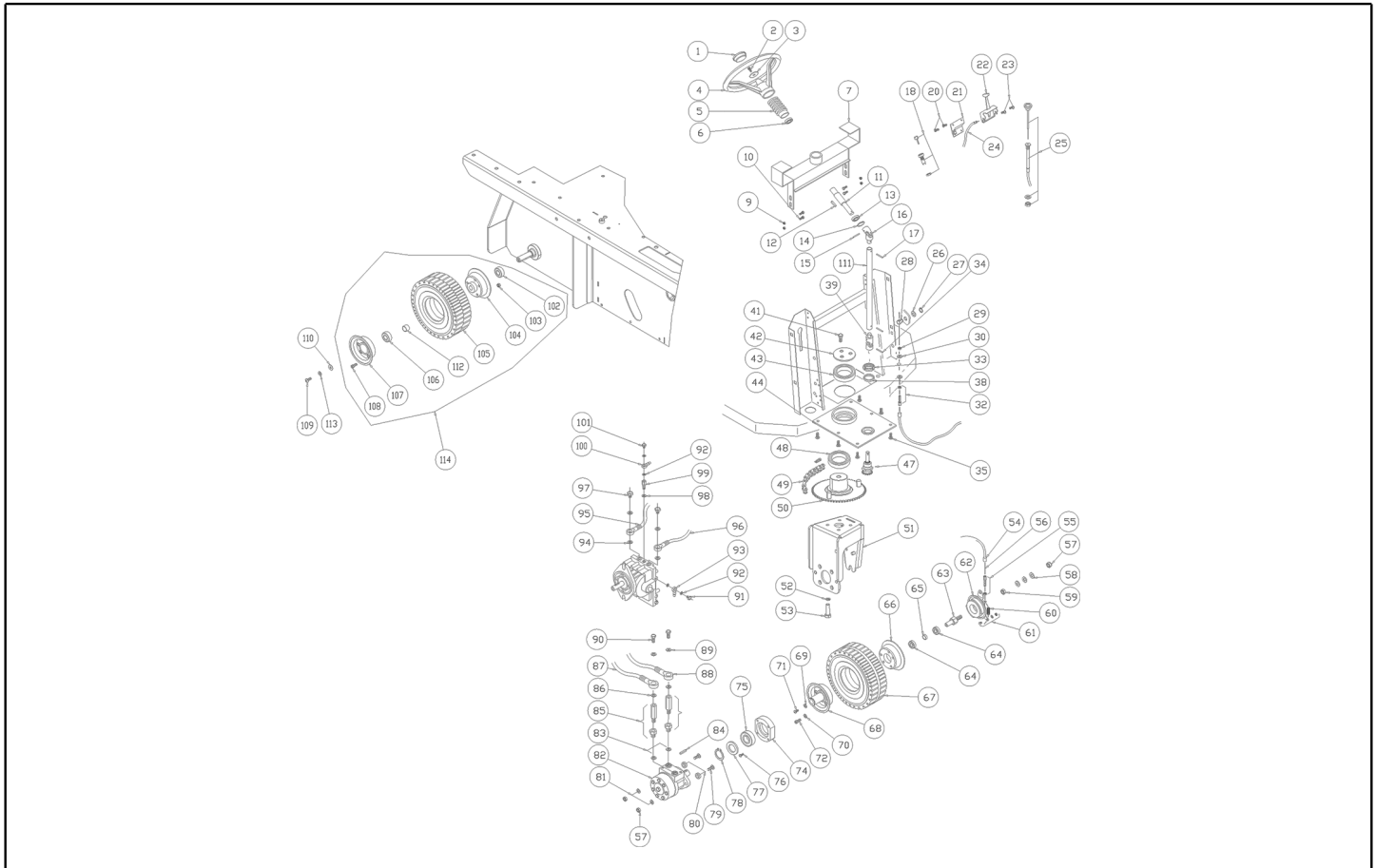
Ref. K	Part n.	Part n. 2	Description	Quantity	Validity		Price
					From	To	
0043	VTRS00512		WASHER D. 8 X24 ZC.	2,00			--
0044	LAFN76761		ARM ALZASPAZ.LAT.DX 1000S NER	1,00			--
0045	VTAE13512		CIRCLIP D. 17 UNI 7435	1,00			--
0046	MTPL87275		PULLEY D.96 H.26	1,00			--
0047	VTAE87277		SEEGER ESTERNO DIN 471 D.45	2,00			--
0048	MPVR87287		CRANKCASE BRACCIO LAT.DX TK1000S	1,00			--
0049	MTCG85309		BELT TONDA D.8	2,00			--
0050	MTPL87274		PULLEY D.75 H.27	2,00			--
0051	VTVT86570		GRUB SCREW UNI 5927 6X10 CON PUNTA	2,00			--
0052	VTVT45395		SCREW TBCE ISO 7380 8X10 ZB	4,00			--
0053	MPVR87281		CRANKCASE BRACCIO LAT SX TK1000S	1,00			--
0054	LAFN87273		ARM ALZASPAZ.LAT.SX 1000S VER	1,00			--
0055	ALTR00099		SHAFT SX	1,00			--
0056	LAFN87280		HUB SOSTEG.SX ALBERO SPAZ.LAT	1,00			--
0057	VTVT47025		SCREW TBCE ISO 7380 10X16 ZB	1,00			--
0058	LAFN08218		SLEEVE -	1,00			--
0059	VTVR33667		KEY UNI 6604 5X5X25	1,00			--
0060	VTVR33667		KEY UNI 6604 5X5X25	1,00			--
0061	VTAE13512		CIRCLIP D. 17 UNI 7435	1,00			--
0062	VTAE13512		CIRCLIP D. 17 UNI 7435	1,00			--
0063	LAFN08217		SPACER -	2,00			--



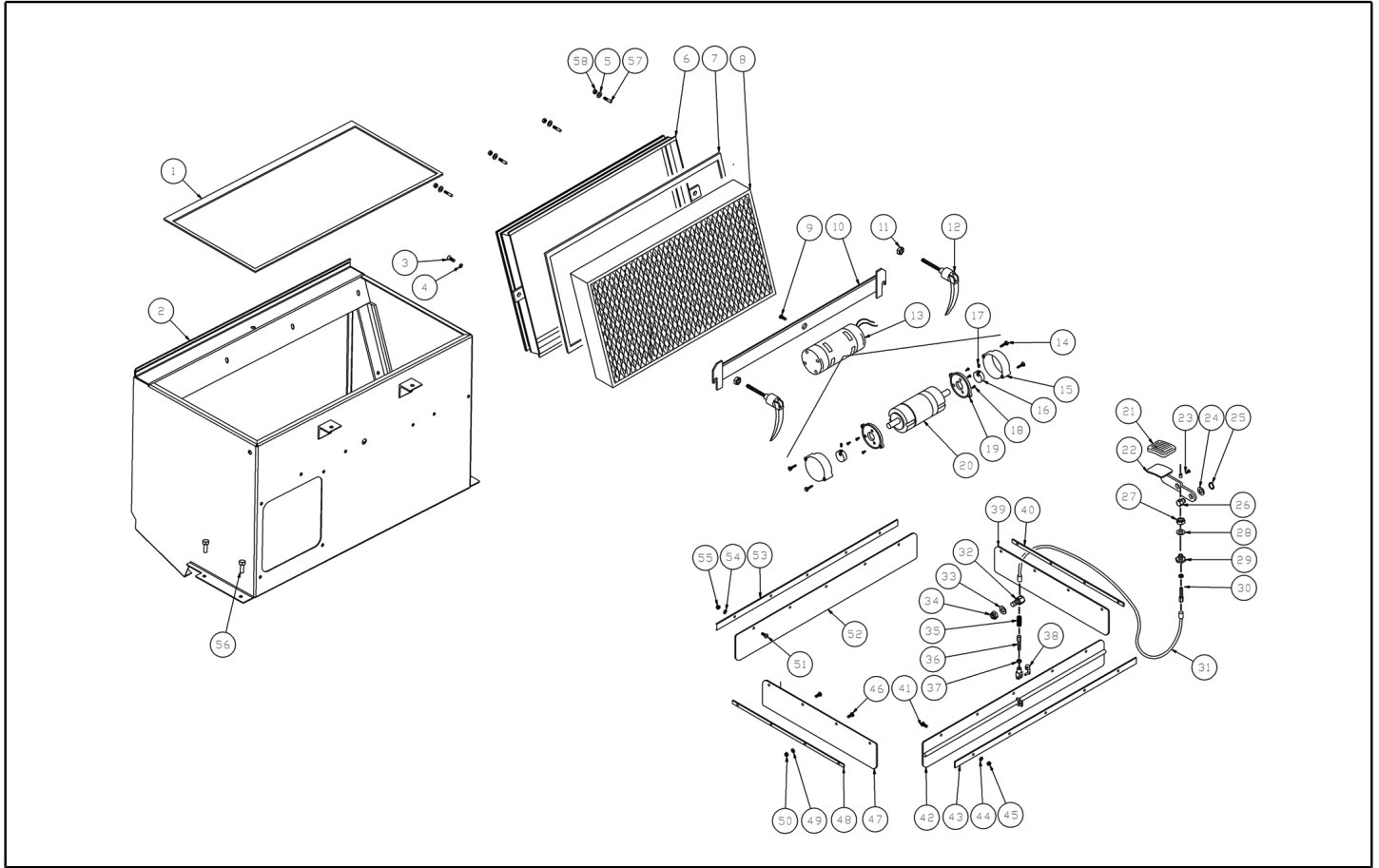
Ref. K	Part n.	Part n. 2	Description	Quantity	Validity		Price
					From	To	
0001	MPVR47026		CAP PER VOLANTE	1,00			--
0002	VTVT47025		SCREW TBCE ISO 7380 10X16 ZB	1,00			--
0003	VTRS44254		WASHER UNI 6593 10X40X2,5 ZB	1,00			--
0004	MPVR47027		STEERING WHEEL D.320 SENZA POMELLO	1,00			--
0005	MPVR47066		PROTECTOR X ALBERO SPAZZOLA TK1000	1,00			--
0006	CUVR00005		BEARING 6202 2RS	1,00			--
0007	LAFN09337		SUPPORT 1250-1280	1,00			--
0009	VTDD07887		NUT M 6 SERPRESS	4,00			--
0010	VTVT62920		SCREW TE FR 6X16 ZB ZIGRINATE	4,00			--
0011	ALTR00011		SHAFT PER VOLANTE TK1000	1,00			--
0012	VTVR13164		KEY UNI 6604 5X5X30	1,00			--
0013	CUVR00005		BEARING 6202 2RS	1,00			--
0014	VTAE17002		CIRCLIP D. 35 UNI 7437	1,00			--
0015	VTVR46987		ELASTIC PLUG DIN 1481 5X25	1,00		01/05/2017	--
0015	VTVR00327		PLUG -	1,00	02/05/2017		--
0016	PMTR00021		SHAFT STERZO 1000 T.NUOVO COMPL	1,00			--
0017	VTVR46987		ELASTIC PLUG DIN 1481 5X25	1,00		01/05/2017	--
0017	VTVR00327		PLUG -	1,00	02/05/2017		--
0018	MECI87180		SWITCH A CHIAVE	1,00			--
0020	VTVT00058		SCREW TCEI M 5X12 ZB U.5931	2,00			--
0021	LAFN00668		SUPPORT ACCELERATORE 1000SH ZINC.	1,00			--
0022	CMCV75739		ACCELERATOR TK S	1,00			--
0023	VTVT00527		SCREW TE FR 6X10 ZB ZIG.	2,00			--
0024	CMCV87184		CABLE + GU. TK 1000	1,00			--
0025	CMCV87185		CABLE + GU. STARTER TK	1,00			--
0026	VTRS00506		WASHER D.12 UNI 6592	1,00			--
0027	VTAE14016		SEEGER ESTERNO DIN 471 D.12	1,00			--
0028	LAFN75973		PIN FISSAG.CAVI FERMA FLAP	1,00			--
0029	CMCV75723		REGISTER D.7	1,00			--
0030	VTRS00504		WASHER D. 8 ZC. UNI 6592	2,00			--
0032	CMCV75723		REGISTER D.7	1,00			--
0033	VTVR75747		RING NUT AUTOBLOK M35X1,5 GUK	1,00			--
0034	VTVR46987		ELASTIC PLUG DIN 1481 5X25	1,00		01/05/2017	--
0034	VTVR00327		PLUG -	1,00	02/05/2017		--
0035	VTVT00455		SCREW TE 10X20 UNI5739	6,00			--
0038	LAFN75913		SPACER BOCCOLA ECCENTRICA TK1000	1,00			--
0039	PMTR00021		SHAFT STERZO 1000 T.NUOVO COMPL	1,00			--
0041	VTVT00014		SCREW TE UNI 5739 8X20 CL.10.9	3,00			--
0042	LAFN47004		WASHER BLOCCA RAL	1,00			--
0043	CUVR75816		BEARING 51112	1,00			--
0044	LAFN85521		FLANGE FISSAG.RUOTA ANT.TK1000zn	1,00			--
0047	KTRI46514		ECCENTRIC BUSH. TK1000 COMPLETA	1,00			--
0048	CUVR75816		BEARING 51112	1,00			--
0049	MTCR85008		CHAIN SWEEP 1000 ET	1,00			--



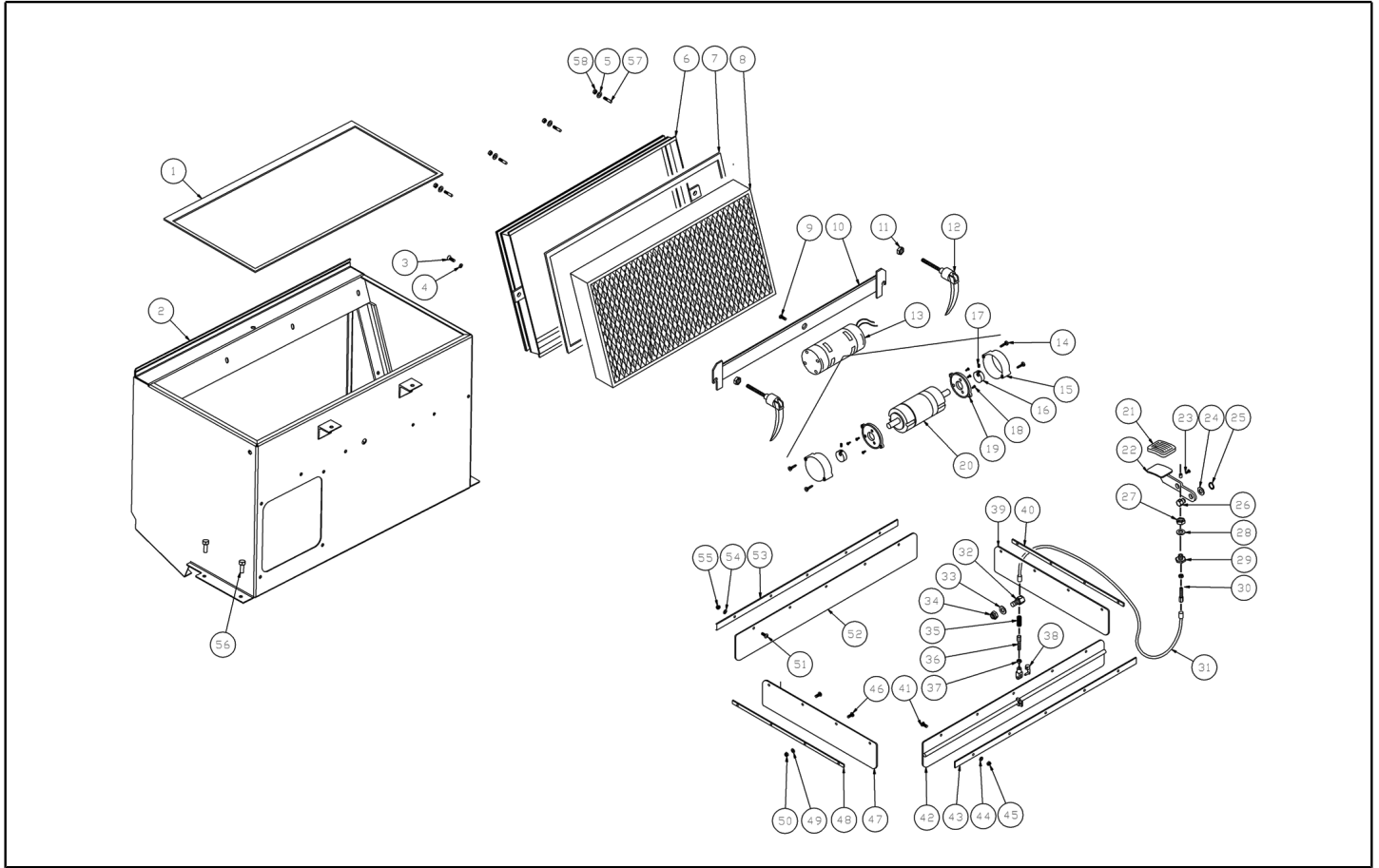
Ref. K	Part n.	Part n. 2	Description	Quantity	Validity		Price
					From	To	
0050	LAFN08185		BRAKE -	1,00			--
0051	LAFN08177		SUPPORT -	1,00			--
0052	VTRS00107		WASHER M10 Grower	4,00			--
0053	VTVT00455		SCREW TE 10X20 UNI5739	4,00			--
0054	CMCV47132		SHEATH L.14 A.FLAP	1,00			--
0055	CMCV75723		REGISTER D.7	1,00			--
0056	CMCV85320		CABLE D.2,5 L.760 21251003	1,00			--
0057	VTDD00012		NUT AUTOBLOK DIN 985 M12 ZB	1,00			--
0058	VTRS00506		WASHER D.12 UNI 6592	3,00			--
0059	VTDD00498		NUT UNI 5588 M12 ZN	1,00			--
0060	MLML75964		SPRING PORTACEPPO D.11,3X1,5X100	1,00			--
0061	VTVR00029		CLAMP FRENO ART.7056	1,00			--
0062	LAFN86483		BRAKE PORTACEPPO D.90 TK1000	1,00			--
0063	LAFN86494		WHEEL PIN ANTERIORE TK 1000S	1,00			--
0064	CUVR00005		BEARING 6202 2RS	2,00			--
0065	LAFN00096		BUSHING DISTANZ.CUSC.RUOTA ANT.	1,00			--
0066	LAFN85291		HUB RUOTA ANTER.D.124 H.33.5	1,00			--
0067	KTRI75744		REAR WHEELS TIRE 1000-1250-1280	1,00			--
0068	LAFN00630		HUB RUOTA ANTER.MOTO.IDRAUL.	1,00			--
0069	VTRS00512		WASHER D. 8 X24 ZC.	1,00			--
0070	VTRS01080		WASHER D. 8 GRW	5,00			--
0071	VTVT87271		SCREW TBCE ISO 7380 8X16 ZB	1,00			--
0072	VTVT29810		SCREW TCCE UNI 5931 8X20 ZB	5,00			--
0074	LAFN00097		BUSHING PORTA CUSCINETTO 6008	1,00			--
0075	CUVR48690		BALL BEARING 6008-2RS1	1,00			--
0076	VTVT63134		SCREW M 8X25 TSPEI ZC UNI 5933	4,00			--
0077	LAFN00094		SPACER CUSCINETTO 6008	1,00			--
0078	VTAE00005		CIRCLIP D. 40 UNI 7435	1,00			--
0079	VTVT00073		SCREW TCCE UNI 5931 12X45 ZB	2,00			--
0080	LAFN00103		SPACER FISS.MOT.IDR.RUOTA ANT.	2,00			--
0081	VTRS00506		WASHER D.12 UNI 6592	2,00			--
0082	PPBP00001		MOTOR IDRAULICO MGLR 100A 25NIT	1,00			--
0083	VTRS00006		WASHER RAME D.20	2,00			--
0084	VTVR00005		KEY UNI 6604 8X7X32	1,00			--
0085	LAFN01074		COLUMN MOTORE IDRAULICO TK1000S	2,00			--
0086	VTRS00548		WASHER D.17.5X23X1,5 (3/8)RM	2,00			--
0087	TBFX85523		TUBE 5/16 COMPL.L.1410 MARCIA	1,00			--
0088	TBFX85522		TUBE 5/16 L.1530 25001001	1,00			--
0089	VTRS00548		WASHER D.17.5X23X1,5 (3/8)RM	2,00			--
0090	RCVR00040		SCREW FORATA 3/8"	2,00			--
0091	RCVR00038		SCREW FORATA 9/16" JIC	1,00			--
0092	VTRS00003		WASHER RAME D.14	4,00			--
0093	TBBP87182		TUBE BASSA PRESSIONE L.670	1,00			--
0094	VTRS00006		WASHER RAME D.20	2,00			--



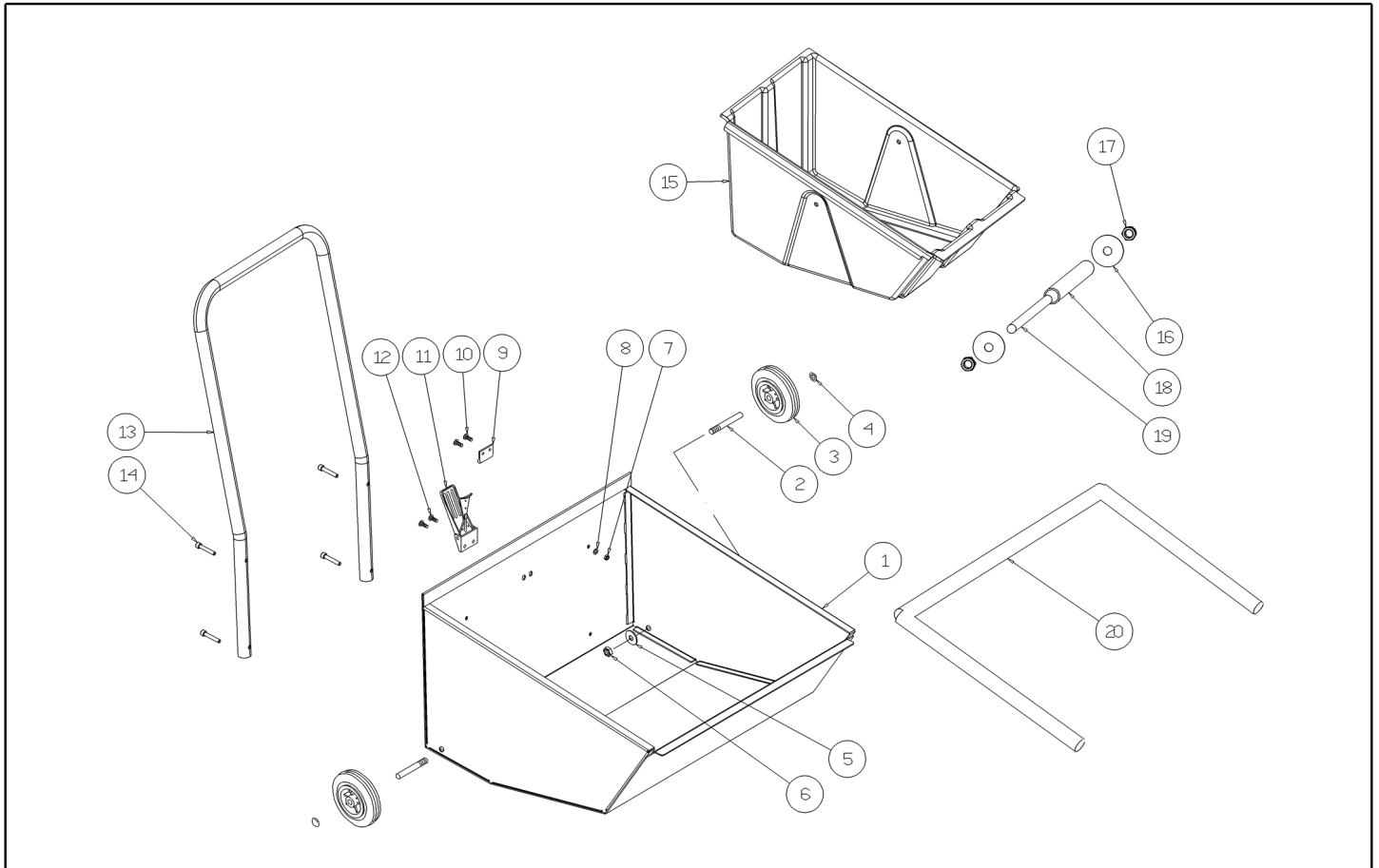
Ref. K	Part n.	Part n. 2	Description	Quantity	Validity		Price
					From	To	
0095	TBFX85523		TUBE 5/16 COMPL.L.1410 MARCIA	1,00			--
0096	TBFX85522		TUBE 5/16 L.1530 25001001	1,00			--
0097	RCVR00039		SCREW FORATA 3/4" JIC	2,00			--
0098	VTRS00004		WASHER ACCIAIO 7/16 JIC	1,00			--
0099	RCVR00057		CONNECTOR ASPIRAZIONE OLIO ZINC.	1,00			--
0100	TBBP87182		TUBE BASSA PRESSIONE L.670	1,00			--
0101	RCVR00041		SCREW FORATA M14X1,5	1,00			--
0102	CUVR00008		BEARING 6003 2RS	2,00		24/07/2016	--
0102	CUVR00104		BEARING SKF 6003- 2RSH	2,00	25/07/2016		--
0103	VTDD00124		NUT M8 DIN985	10,00			--
0104	LAFN85380		HUB RUOTA POST.D124 H.33.5	2,00			--
0105	KTRI75744		REAR WHEELS TIRE 1000-1250-1280	2,00			--
0106	CUVR00008		BEARING 6003 2RS	2,00		24/07/2016	--
0106	CUVR00104		BEARING SKF 6003- 2RSH	2,00	25/07/2016		--
0107	LAFN85290		HUB ruota 124x57,5	2,00			--
0108	VTVT00066		SCREW TCCE UNI 5931 8X25 ZB	10,00			--
0109	VTVT01110		SCREW TE 8X16 UNI5739	2,00			--
0110	VTRS00512		WASHER D. 8 X24 ZC.	2,00			--
0111	PMTR00021		SHAFT STERZO 1000 T.NUOVO COMPL	1,00			--
0112	LAFN00275		SPACER INTERNO RUOTA POST.TK1300	2,00			--
0113	VTRS01080		WASHER D. 8 GRW	2,00			--
0114	PMVR02380		WHEEL REAR COMPLETE 1250-1280	1,00			--



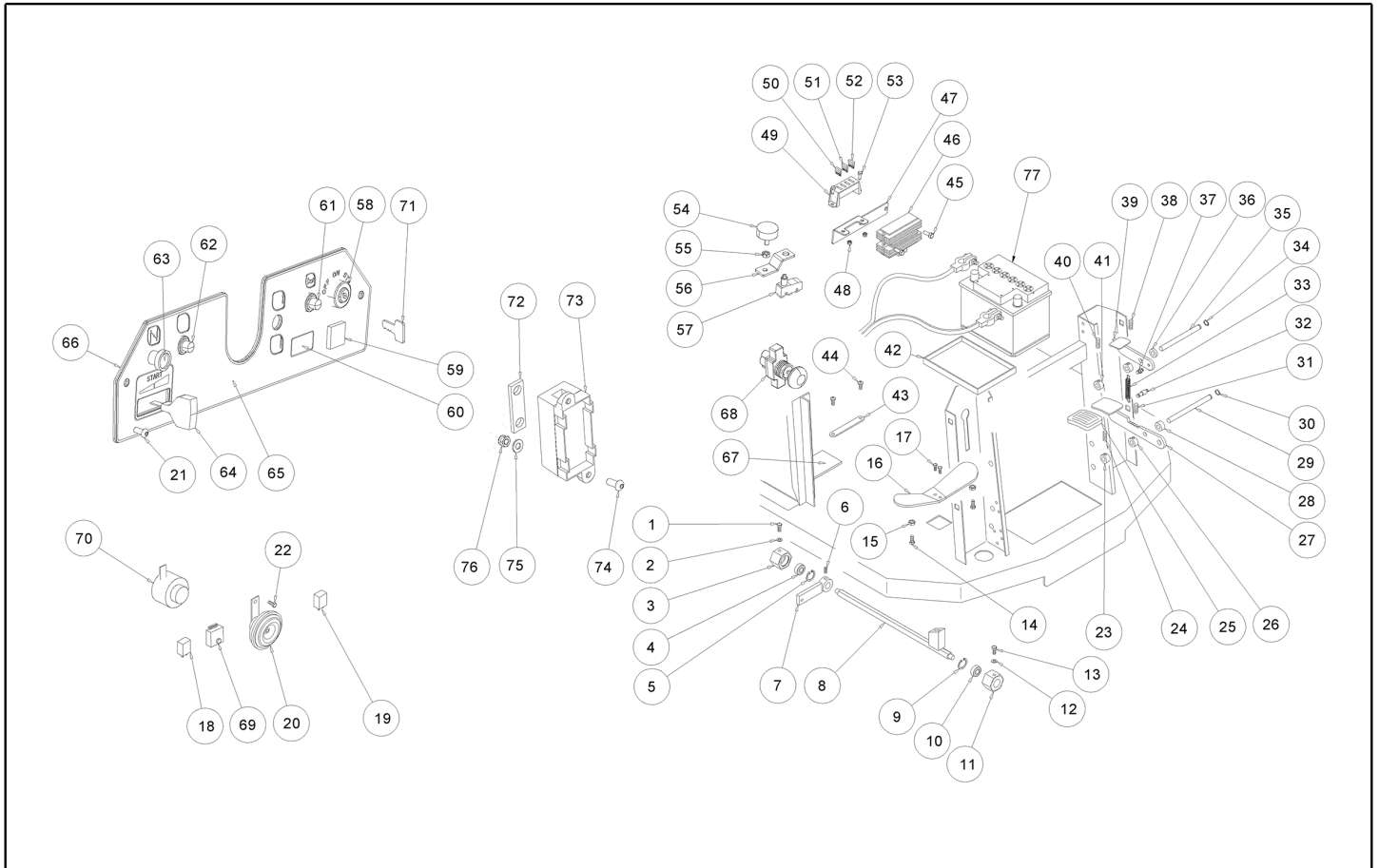
Ref. K	Part n.	Part n. 2	Description	Quantity	Validity		Price
					From	To	
0001	MPVR86607		KIT GASKET MOUSSE CHIUS.CONT.FILTRO	1,00			--
0002	LAFN36059		CONTAINER FILTER PANEL	1,00			--
0003	VTVT75726		SCREW TBCE ISO 7380 6X16 ZB	4,00			--
0004	VTRS04026		WASHER D. 6X18X2.38	4,00			--
0005	VTRS04026		WASHER D. 6X18X2.38	6,00			--
0006	LAFN01014		FRAME PORTA FILTRO TK1000 VIBR.	1,00			--
0007	MPVR86606		GASKET MOUSSE FILTRO TK1000	1,00			--
0008	FTDP76067		FILTER PANEL SW1000 PAPER	1,00			--
0009	VTVT47143		SCREW TSCE UNI 5933 10X16 ZB	1,00			--
0010	LAFN00720		MOTOR SUPPORT S/FILTRO TK1000 NUOVO VER	1,00			--
0011	VTDD00057		NUT UNI 5589 M8 BASSO ZB	2,00			--
0012	PMVR00215		HANDLE BLOCCAGGIO FILTR.1000E-S	2,00			--
0013	MOCC85140		MOTOR 12V CC	1,00			--
0014	VTVT47138		SCREW AUTOF.TSP UNI 6955 3,9X32	4,00			--
0015	LAFN47139		COVER PROTEZIONE MASSE SCUOTIF.	2,00			--
0016	LAFN47140		BUSHING CONTRAPPEO PER SCUOTIFIL	2,00			--
0017	VTVT75731		GRUB SCREW UNI 5923 6X5	2,00			--
0018	VTVT00474		SCREW TSCE uni 5933 4x12 ZB	6,00			--
0019	MFVR47141		FLANGE X MOTORE SCUOTIFILTRO	2,00			--
0020	MOCC85526		MOTOR D.63 12V G 3800 W 35	1,00			--
0021	MPVR45096		PEDAL COVER GRANDE V1021	1,00			--
0022	LAFN76008		PEDAL ALZAFLAP TK1000 ZINCATO	1,00			--
0023	VTVR00028		CLAMP PER CASSETTO G1300	1,00			--
0024	VTRS00506		WASHER D.12 UNI 6592	1,00			--
0025	VTAE14016		SEEGER ESTERNO DIN 471 D.12	1,00			--
0026	LAFN75973		PIN FISSAG.CAVI FERMA FLAP	1,00			--
0027	VTDD01682		NUT M12 ZC UNI 5588	1,00			--
0028	VTRS00505		WASHER D.10 UNI 6592	1,00			--
0029	LAFN75975		PIN CENTRAG.FILO PEDALE FRENO	1,00			--
0030	CMCV75723		REGISTER D.7	1,00			--
0031	CMCV75905		SHEATH X CABLE	1,00			--
0032	LAFN75976		PIN GUIDA MOLLA ALZAFLAP 1000	1,00			--
0033	VTRS00506		WASHER D.12 UNI 6592	1,00			--
0034	VTDD00012		NUT AUTOBLOK DIN 985 M12 ZB	1,00			--
0035	MLML75962		SPRING ALZAFLAP D.11,5X1,5 ZB	1,00			--
0036	CMCV45110		CORD D. 2.5 FLAP L.14	1,00			--
0037	VTDD00482		NUT M 6 ZIN UNI 5588	1,00			--
0038	CMCV75717		CLIP UNI 1676 M6x12	1,00			--
0039	MPVR75936		FLAP LH-RH SIDES TK1000	1,00			--
0040	LAFN00305		CLAMP FLAP DX/SX TK1000 NERO	1,00			--
0041	VTVT75721		SCREW TTDE UNI 5732 6X16 ZB	5,00			--
0042	MPVR75935		FLAP FRONT TK1000 MODELS	1,00			--
0043	LAFN86529		CLAMP FLAP ANT/POST TK1000 NERO	1,00			--
0044	VTRS00503		WASHER D. 6 UNI 6592	5,00			--



Ref. K	Part n.	Part n. 2	Description	Quantity	Validity		Price
					From	To	
0045	VTDD00491		NUT M 6 TEF	5,00			--
0046	VTVT75721		SCREW TTDE UNI 5732 6X16 ZB	4,00			--
0047	MPVR75936		FLAP LH-RH SIDES TK1000	1,00			--
0048	LAFN00305		CLAMP FLAP DX/SX TK1000 NERO	1,00			--
0049	VTRS00503		WASHER D. 6 UNI 6592	4,00			--
0050	VTDD00491		NUT M 6 TEF	4,00			--
0051	VTVT75721		SCREW TTDE UNI 5732 6X16 ZB	5,00			--
0052	MPVR75934		FLAP REAR TK1000	1,00			--
0053	LAFN86529		CLAMP FLAP ANT/POST TK1000 NERO	1,00			--
0054	VTRS00503		WASHER D. 6 UNI 6592	5,00			--
0055	VTDD00491		NUT M 6 TEF	5,00			--
0056	VTVT62920		SCREW TE FR 6X16 ZB ZIGRINATE	4,00			--
0057	VTVT01699		STUD BOLT M6X20	6,00		06/11/2018	--
0057	VTVT01716		STUD BOLT M6X20 UNI5909	6,00	07/11/2018		--
0058	VTDD00491		NUT M 6 TEF	6,00			--

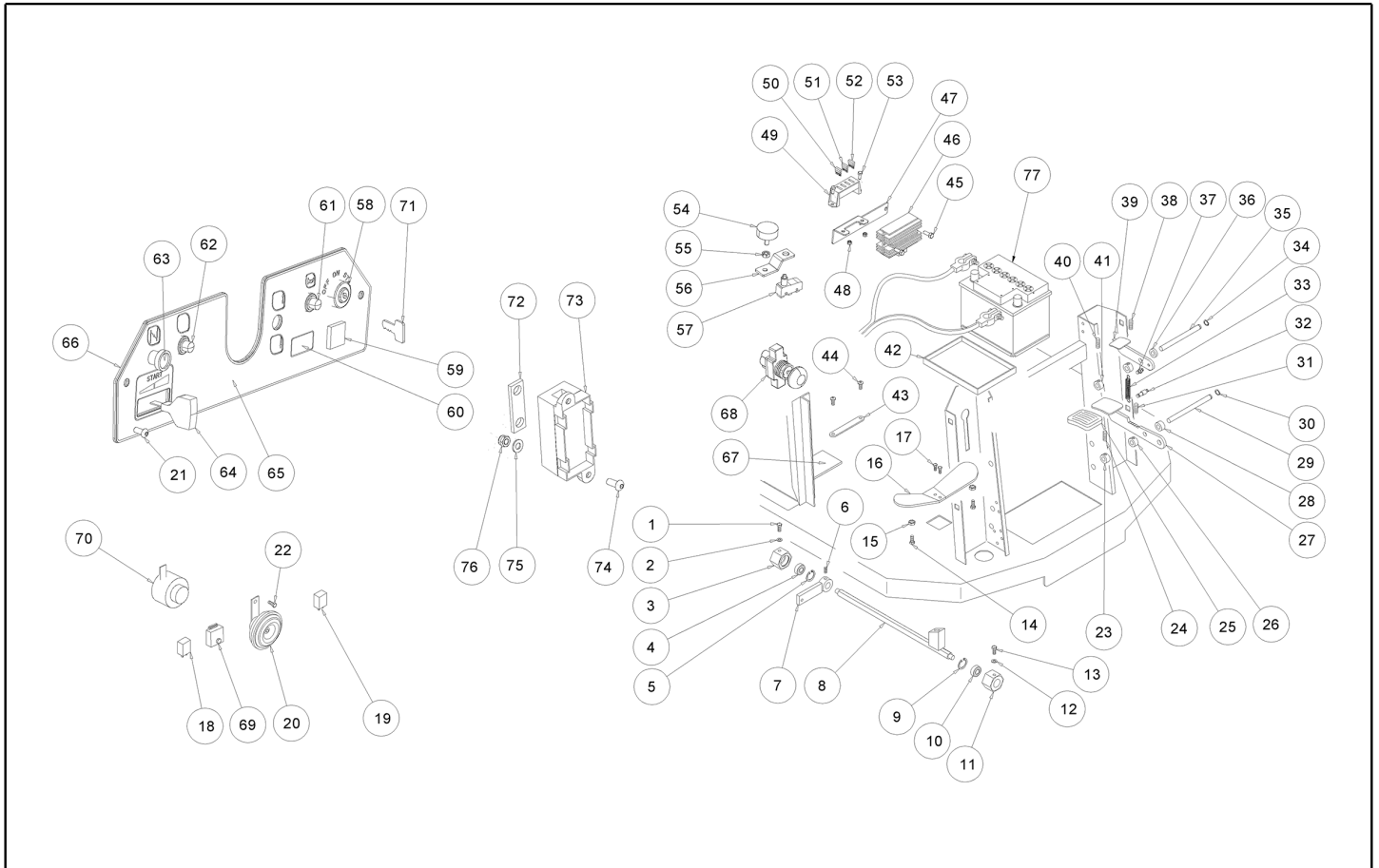


Ref. K	Part n.	Part n. 2	Description	Quantity	Validity		Price
					From	To	
0001	LAFN08175		DRAWER TK1000	1,00			--
0002	LAFN00433		WHEEL PIN D.15 L.70,5	2,00			--
0003	RTRT00013		WHEEL GOMMA D.125	2,00			--
0004	VTVR26502		WHEEL'S COVER D.15	2,00			--
0005	VTRS00505		WASHER D.10 UNI 6592	2,00			--
0006	VTDD00042		NUT AUT.M10 UNI7474	2,00			--
0007	VTDD00491		NUT M 6 TEF	4,00			--
0008	VTRS04026		WASHER D. 6X18X2.38	4,00			--
0009	CHVR76643		SUPP.HOLDER LOCK SW1000	1,00			--
0010	VTVT75726		SCREW TBCE ISO 7380 6X16 ZB	2,00			--
0011	CHVR76642		CLOSURE SW1000	1,00			--
0012	VTVT75726		SCREW TBCE ISO 7380 6X16 ZB	2,00			--
0013	LAFN08194		HANDLE -	1,00			--
0014	VTVT63029		SCREW TCCE UNI 5931 6X35 ZB	4,00			--
0015	MPVR06100		DRAWER REAR 1250	2,00			--
0016	VTRS00512		WASHER D. 8 X24 ZC.	4,00			--
0017	VTDD00057		NUT UNI 5589 M8 BASSO ZB	4,00			--
0018	FETU34817			0,34			--
0019	VTVR00308			0,64			--
0020	GUVR00010		GASKET	1,80			--

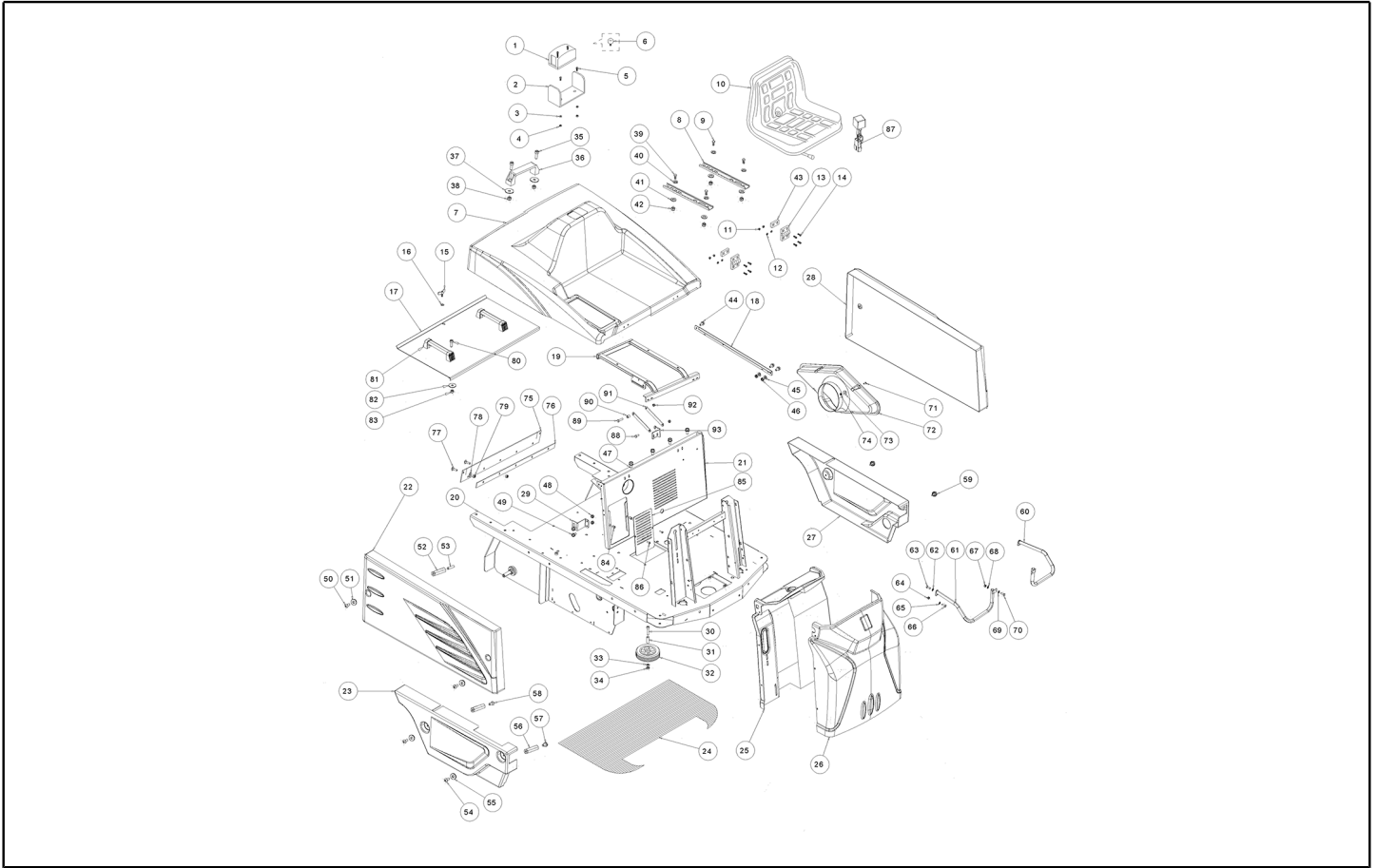


Ref. K	Part n.	Part n. 2	Description	Quantity	Validity		Price
					From	To	
0001	VTVT45395		SCREW TBCE ISO 7380 8X10 ZB	1,00			--
0002	VTRS00504		WASHER D. 8 ZC. UNI 6592	1,00			--
0003	LAFN00710		SUPPORT TRASMISSIONE ACCELERATORE	1,00			--
0004	CUVR86373		BEARING 6000 2RS	1,00			--
0005	VTAE13513		CIRCLIP D. 26 UNI 7437	1,00			--
0006	VTVT00481		GRUB SCREW UNI 5927 8X10 CON PUNTA	1,00			--
0007	LAFN00711		ARM SELEZIONE DIREZ.1000S ZN	1,00			--
0008	ALTR00020		SHAFT CON BLOCCHE.T.X SELE.DIREZ	1,00			--
0009	VTAE13513		CIRCLIP D. 26 UNI 7437	1,00			--
0010	CUVR86373		BEARING 6000 2RS	1,00			--
0011	LAFN00710		SUPPORT TRASMISSIONE ACCELERATORE	1,00			--
0012	VTRS00504		WASHER D. 8 ZC. UNI 6592	1,00			--
0013	VTVT45395		SCREW TBCE ISO 7380 8X10 ZB	1,00			--
0014	VTVT00447		SCREW TE 8X25 UNI5739	2,00			--
0015	VTDD00483		NUT M 8 ZIN UNI 5588	2,00			--
0016	LAFN00707		PEDAL SELEZ.DIREZ.TK1000 VERN.	1,00			--
0017	VTVT45395		SCREW TBCE ISO 7380 8X10 ZB	2,00			--
0018	MERL00012		SWITCH RELAY 12V	1,00			--
0019	MERL00012		SWITCH RELAY 12V	1,00			--
0020	MEVR33429		KLAXON K100/Y 1A 12V	1,00			--
0021	VTVT00659		SCREW TC+ M. 4-15	8,00			--
0022	VTVT85116		SCREW AUTOF.TE FR 6,3X19 ZB	1,00			--
0023	LAFN47030		BUSHING FISS.PEDALE FRENO FORATA	1,00			--
0024	VTVT75731		GRUB SCREW UNI 5923 6X5	1,00			--
0025	MPVR45096		PEDAL COVER GRANDE V1021	1,00			--
0026	LAFN47030		BUSHING FISS.PEDALE FRENO FORATA	1,00			--
0027	LAFN0686		PEDAL FRENO TK1000 ZINCATO	1,00			--
0028	LAFN47019		BUSHING FISSAGGIO PEDALE FRENO	1,00			--
0029	LAFN47036		PIN FISS.PEDALE FRENO+ALZAF.L.	1,00			--
0030	VTAE87276		SEEGER EXT. D10 DIN471	1,00			--
0031	VTVT75731		GRUB SCREW UNI 5923 6X5	1,00			--
0032	LAFN47035		PIN CH.10 H.26 AT TACCO MOLLA	1,00			--
0033	MLML75960		SPRING TRAZIONE TK D.8X1X29 ZB	1,00			--
0034	VTAE87276		SEEGER EXT. D10 DIN471	1,00			--
0035	LAFN47031		PIN PEDALE BLOCCO FRENO 1000	1,00			--
0036	LAFN47033		BUSHING FISSAGGIO PERNO PEDALI	1,00			--
0037	LAFN47029		PIN CH.10 H.16 ATTACCO MOLLA	1,00			--
0038	VTVT75731		GRUB SCREW UNI 5923 6X5	1,00			--
0039	LAFN47032		PEDAL BLOCCO FRENO TK1000 ZINC	1,00			--
0040	VTVT75731		GRUB SCREW UNI 5923 6X5	1,00			--
0041	LAFN47030		BUSHING FISS.PEDALE FRENO FORATA	2,00			--
0042	LAFN00232		CONTAINER PORTABATT.TK1000S VERNIC.	1,00			--
0043	LAFN87142		BRACKET BILANCERE ZINCATA	1,00			--
0044	VTVT75725		SCREW TBCE ISO 7380 6X10 ZB	2,00			--

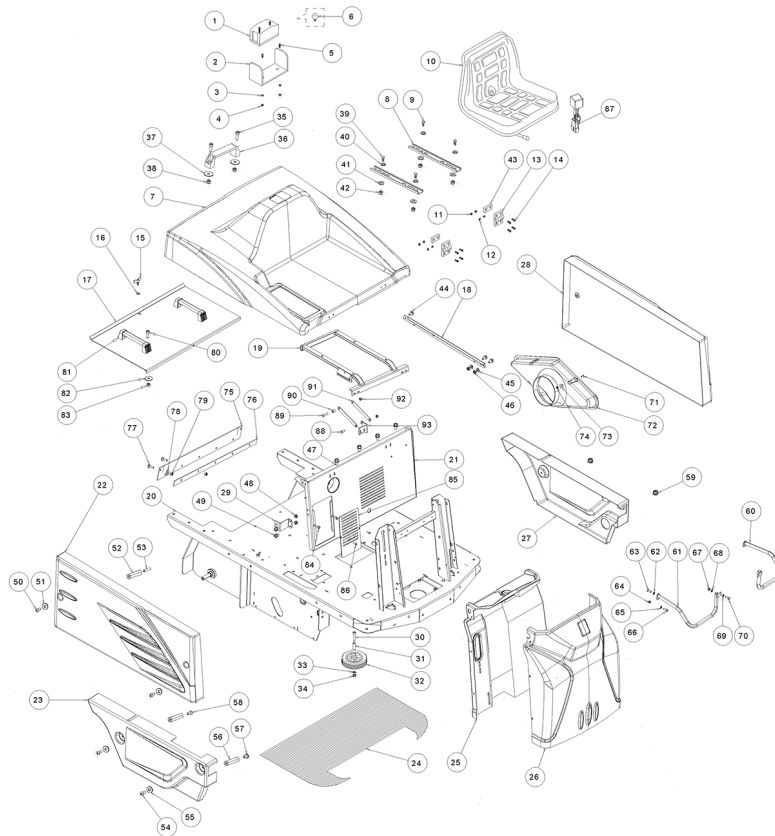




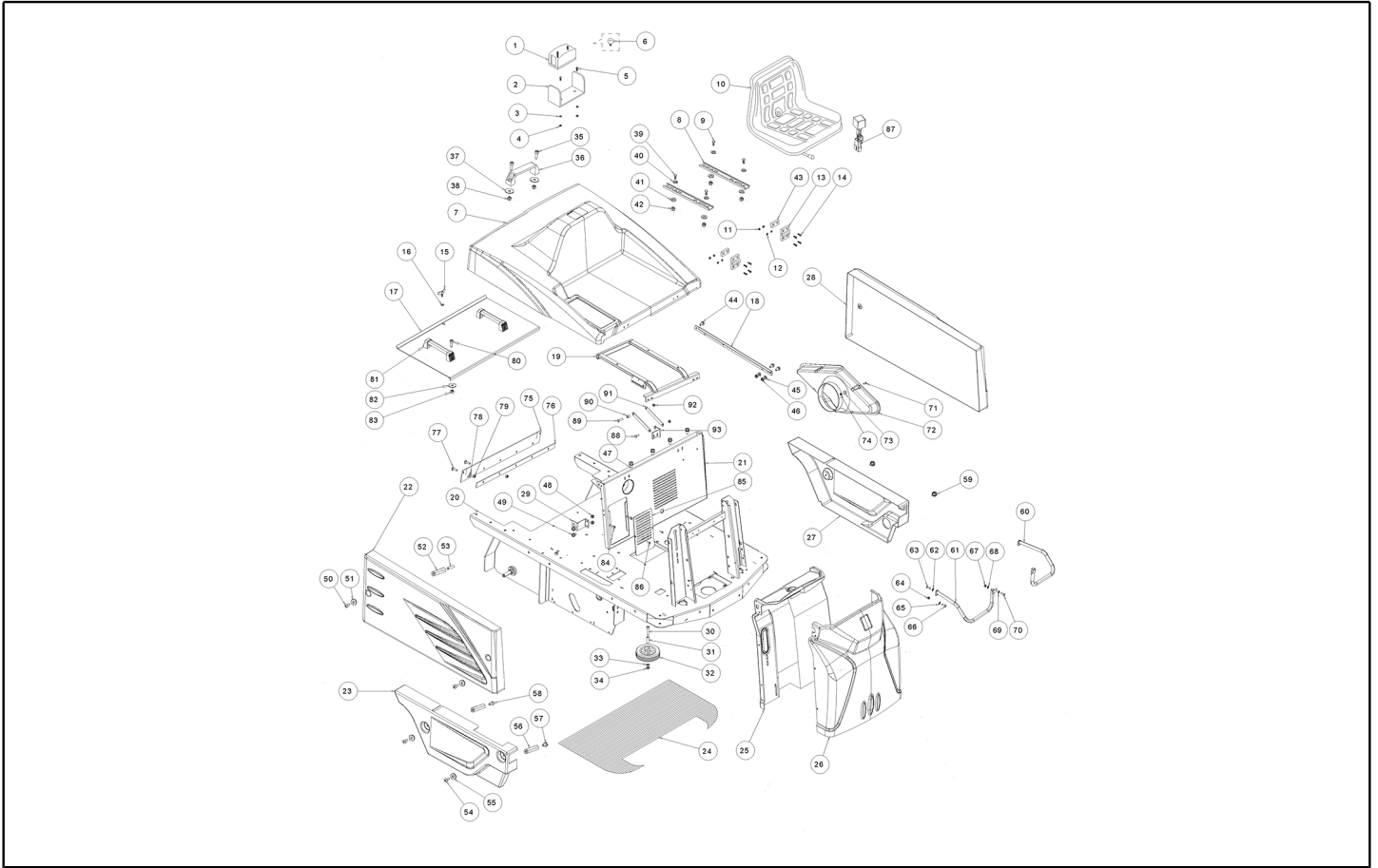
Ref. K	Part n.	Part n. 2	Description	Quantity	Validity		Price
					From	To	
0045	VTVT00245		SCREW TE M6X30 UNI 5739	2,00			--
0046	METR87144		ADJUSTER X MOTORE HONDA GX160K1	1,00			--
0047	LAFN08183		BRACKET -	1,00			--
0048	VTDD04368		NUT M 4 ZIN UNI 5588	2,00			--
0049	MEVR00030		FUSE-HOLDER 4 VIE COPERCHIO TRAS.	1,00			--
0050	MEVR01133		FUSE 15A 32V	1,00			--
0051	MEVR01316		FUSE A LAMA 10 A. 32V	1,00			--
0052	MEVR01316		FUSE A LAMA 10 A. 32V	1,00			--
0053	VTVT00003		SCREW TE M 4X 12 ZC. UNI 5739	2,00			--
0054	ABGO00026		VIBRATION DAMP.	2,00			--
0055	VTDD10776		NUT M 8 X1 UNI 5588	4,00			--
0056	LAFN07862		BRACKET -	1,00			--
0057	MECI75801		MICROSWITCH A PISTONE (MS/10-Z15GC)	1,00			--
0058	MECI87180		SWITCH A CHIAVE	1,00			--
0059	MEVR00036		WARN-LIGHT VERDE NEUTRA	1,00			--
0060	MESB00010		HOUR-COUNTER CURTIS	1,00			--
0061	MEVR85330		BUTTON -	1,00			--
0062	MEVR85330		BUTTON -	1,00			--
0063	CMCV87185		CABLE + GU. STARTER TK	1,00			--
0064	CMCV75739		ACCELERATOR TK S	1,00			--
0065	ETET01799		LABEL -	1,00			--
0066	LAFN08205		BOARD -	1,00			--
0067	MPVR00739		RUBBER PARAPOLVERE CILIND.STABIL	1,00			--
0068	MECI00571		BUTTON EMERGENCY BL.SB 1250	1,00			--
0069	MECE00476		BOARD 20W	1,00			--
0070	MEVR02013		BUZZER -	1,00			--
0071	MEVR00056		KEY QUADRO AVV.COBO TK1000S	1,00			--
0072	MEVR00145		FUSE 100A	1,00	21/11/2016		--
0073	MEVR00146		FUSE-HOLDER MEGA	1,00	21/11/2016		--
0074	VTVT75726		SCREW TBCE ISO 7380 6X16 ZB	2,00	21/11/2016		--
0075	VTRS00503		WASHER D. 6 UNI 6592	2,00	21/11/2016		--
0076	VTDD00491		NUT M 6 TEF	2,00	21/11/2016		--
0077	BAAC75749		BATTERY 12V 45A X SW1000SC	1,00			--



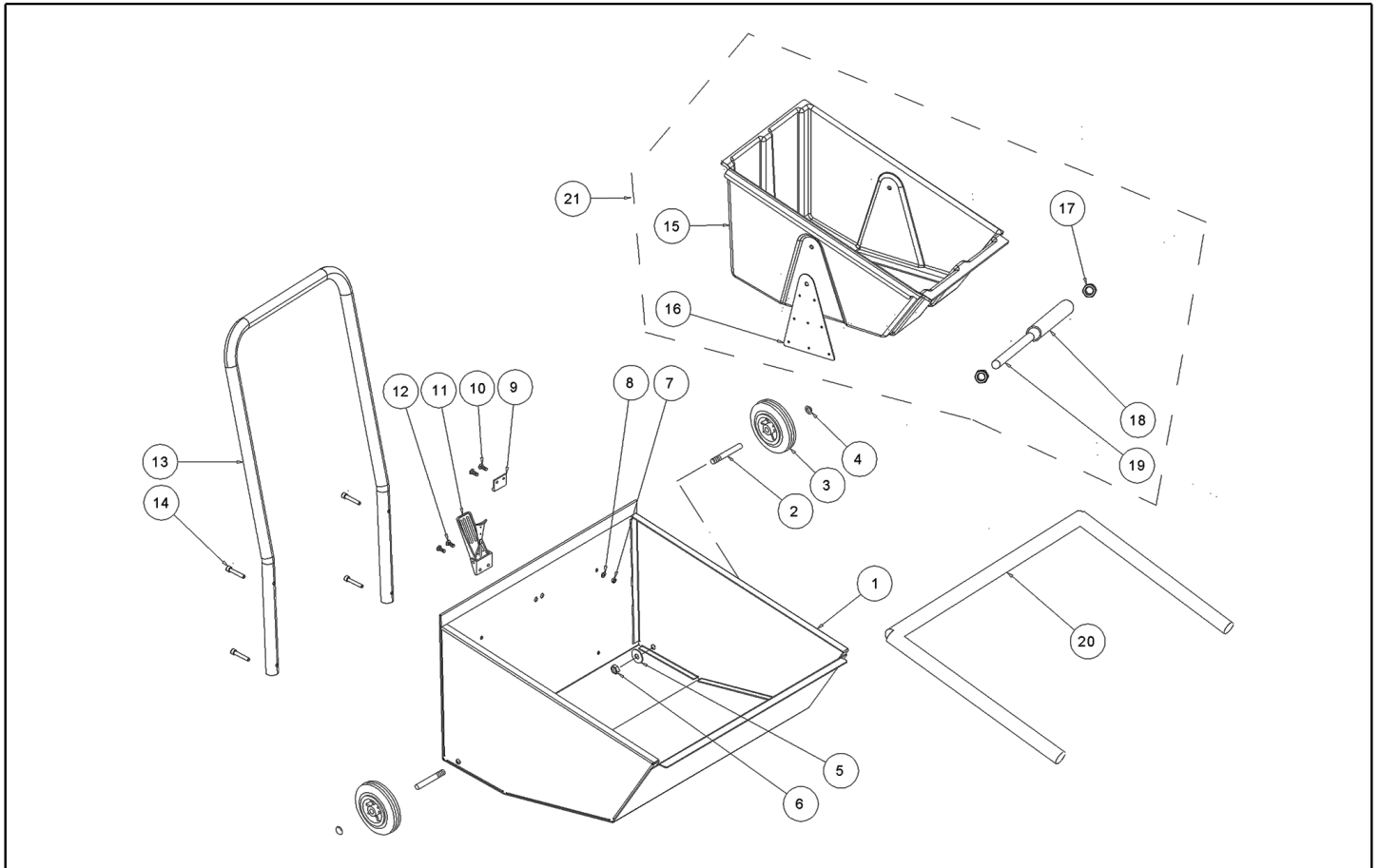
Ref. K	Part n.	Part n. 2	Description	Quantity	Validity		Price
					From	To	
0001	KTRI00103		LAMP FLASH 24V ORANGE	1,00			--
0002	KTRI00103		LAMP FLASH 24V ORANGE	1,00			--
0003	VTRS15958		WASHER UNI 6592 5X15X1,5 ZB	2,00			--
0004	VTDD08171		NUT M 5 TEF	2,00			--
0005	VTVT45339		SCREW TBCE ISO 7380 5X16 ZB	2,00			--
0006	MEVR00009		LAMP 12V/5W	1,00			--
0007	MPVR06087		HOOD -	1,00			--
0008	SESD45981		SEAT SC73 01.01.M4 PER TK1400	1,00		08/10/2018	--
0008	SESD45982		SEAT SC 73 L.14 SENSOR REED	1,00	09/10/2018		--
0009	VTVT00017		SCREW TE UNI 5739 8X35 ZB	4,00			--
0010	SESD45981		SEAT SC73 01.01.M4 PER TK1400	1,00		08/10/2018	--
0010	SESD45982		SEAT SC 73 L.14 SENSOR REED	1,00	09/10/2018		--
0011	VTDD00491		NUT M 6 TEF	4,00			--
0012	VTRS00503		WASHER D. 6 UNI 6592	4,00			--
0013	CEVR85332		HINGE MEB F D.6 TK	2,00			--
0014	VTVT06237		SCREW TCCE UNI 5931 6X20 ZB	4,00			--
0015	VTVR00044		WING NUT D.30 M6X20	1,00			--
0016	VTRS63242		WASHER UNI 6593 6X24X2 ZB	1,00			--
0017	LAFN85308		COVER SCATOLA FILTRO TK1000 NER	1,00			--
0018	LAFN08190		SHEET METAL PA. -	1,00			--
0019	LAFN08178		SUPPORT -	1,00			--
0020	LAFN36061		FRAME 1250-1280	1,00			--
0021	LAFN08174		PANEL TK1000	1,00		17/05/2015	--
0021	LAFN08155		PANEL -	1,00	18/05/2015		--
0022	MPVR06091		BODY SIDE -	1,00			--
0023	MPVR06096		COVERING BOTTOM RH SIDE	1,00			--
0024	MPVR00763		PLANE MILLERIGHE 1000S CON BIAD	1,00			--
0025	MPVR06094		SIDE PANEL -	1,00			--
0026	MPVR06093		COVERING FRONT 1250-1280 GREEN	1,00			--
0027	MPVR06095		CRANKCASE -	1,00			--
0028	MPVR06125		CONVEYOR SX	1,00			--
0029	LAFN08210		BRACKET -	2,00			--
0030	VTVT28307		SCREW TCCE UNI 5931 10X70 ZN	2,00			--
0031	LAFN47011		BUSHING BU15X10X47 X RUOTA1250056	2,00			--
0032	RTRT00013		WHEEL GOMMA D.125	2,00			--
0033	VTRS00505		WASHER D.10 UNI 6592	2,00			--
0034	VTDD00042		NUT AUT.M10 UNI7474	2,00			--
0035	VTVT00066		SCREW TCCE UNI 5931 8X25 ZB	2,00			--
0036	MPVR00411		HANDLE TRG	1,00			--
0037	VTRS00513		WASHER UNI 6593 8X32X2,5 ZB	2,00			--
0038	VTDD00124		NUT M8 DIN985	2,00			--
0039	VTVT00017		SCREW TE UNI 5739 8X35 ZB	4,00			--
0040	VTRS00504		WASHER D. 8 ZC. UNI 6592	2,00			--
0041	VTRS00512		WASHER D. 8 X24 ZC.	4,00			--



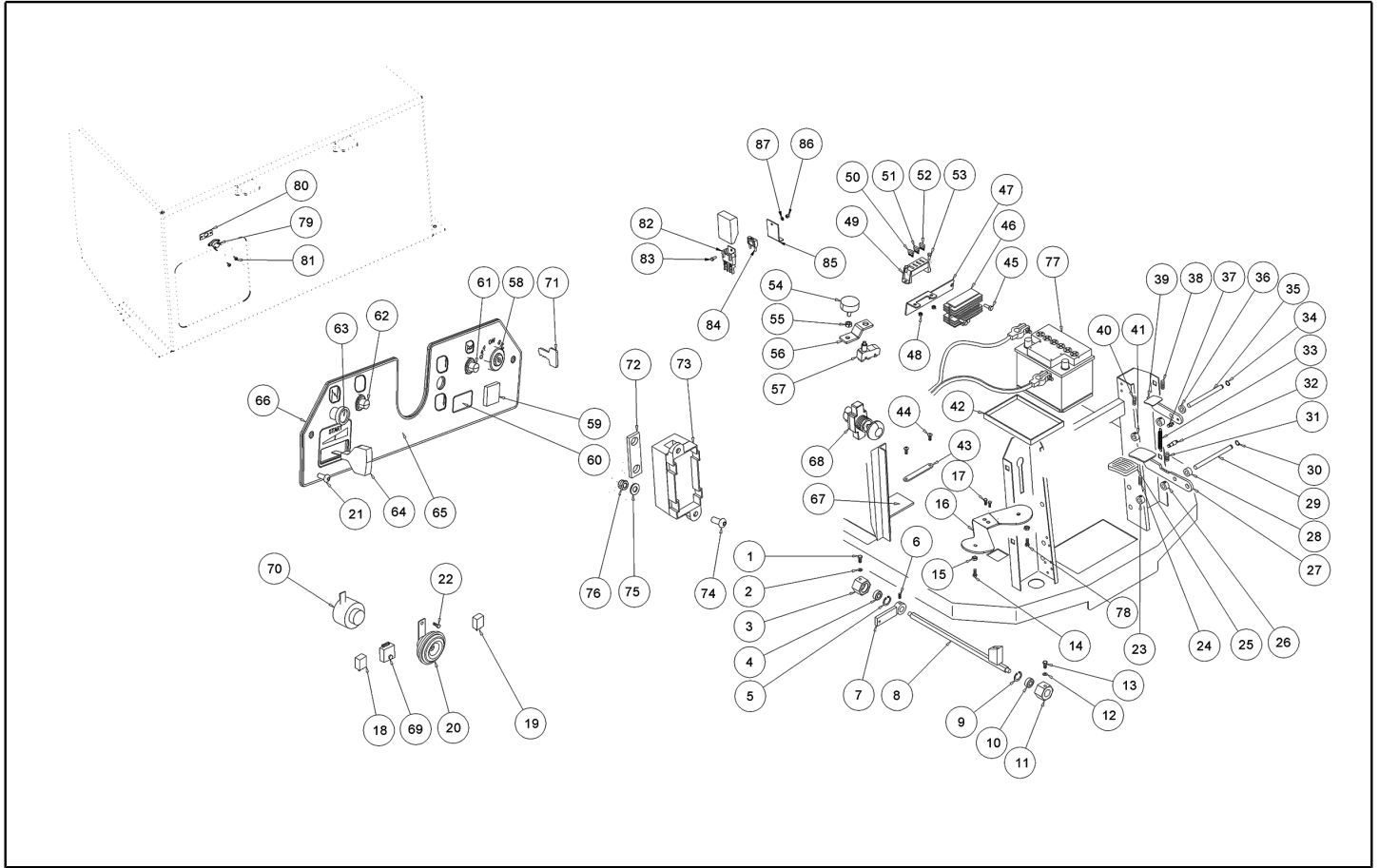
Ref. K	Part n.	Part n. 2	Description	Quantity	Validity		Price
					From	To	
0042	VTDD00124		NUT M8 DIN985	4,00			--
0043	LAFN07909		BRACKET -	2,00			--
0044	VTVT62920		SCREW TE FR 6X16 ZB ZIGRINATE	3,00			--
0045	VTRS00503		WASHER D. 6 UNI 6592	2,00			--
0046	VTDD00491		NUT M 6 TEF	2,00			--
0047	VTVT62920		SCREW TE FR 6X16 ZB ZIGRINATE	4,00			--
0048	VTDD00491		NUT M 6 TEF	4,00			--
0049	VTVT62920		SCREW TE FR 6X16 ZB ZIGRINATE	4,00			--
0050	VTVT75726		SCREW TBCE ISO 7380 6X16 ZB	4,00			--
0051	VTRS04026		WASHER D. 6X18X2.38	4,00			--
0052	LAFN08211		SPACER -	4,00			--
0053	VTVT00900		GRUB SCREW M 6-30 CON ES	2,00			--
0054	VTVT75726		SCREW TBCE ISO 7380 6X16 ZB	2,00			--
0055	VTRS04026		WASHER D. 6X18X2.38	2,00			--
0056	LAFN08211		SPACER -	2,00			--
0057	VTVT00527		SCREW TE FR 6X10 ZB ZIG.	2,00			--
0058	VTVT13515		SCREW TSPEI M6x16 UNI5933 10.9	2,00			--
0059	RTRT00022		HANDWHEEL D.30 M6X15	2,00			--
0060	LAFN08200		BUMPER LH SIDE 1250	1,00			--
0061	LAFN08201		BUMPER RH SIDE 1250	1,00			--
0062	VTRS00504		WASHER D. 8 ZC. UNI 6592	2,00			--
0063	VTVT00446		SCREW TE UNI 5739 8X20 ACC.8.8	2,00			--
0064	VTDD00124		NUT M8 DIN985	2,00			--
0065	VTRS00504		WASHER D. 8 ZC. UNI 6592	2,00			--
0066	VTVT00446		SCREW TE UNI 5739 8X20 ACC.8.8	1,00			--
0067	VTDD00124		NUT M8 DIN985	2,00			--
0068	VTRS00504		WASHER D. 8 ZC. UNI 6592	2,00			--
0069	VTRS00504		WASHER D. 8 ZC. UNI 6592	2,00			--
0070	VTVT00446		SCREW TE UNI 5739 8X20 ACC.8.8	2,00			--
0071	VTVT75726		SCREW TBCE ISO 7380 6X16 ZB	4,00	14/10/2014		--
0072	MPVR06410		CONVEYOR -	1,00	14/10/2014		--
0073	VTRS00503		WASHER D. 6 UNI 6592	4,00	14/10/2014		--
0074	VTDD00491		NUT M 6 TEF	4,00	14/10/2014		--
0075	MPVR06431		FLAP -	1,00	14/10/2014		--
0076	LAFN86529		CLAMP FLAP ANT/POST TK1000 NERO	1,00	14/10/2014		--
0077	VTVT75721		SCREW TTDE UNI 5732 6X16 ZB	7,00	14/10/2014		--
0078	VTRS04026		WASHER D. 6X18X2.38	2,00	14/10/2014		--
0079	VTDD00491		NUT M 6 TEF	7,00	14/10/2014		--
0080	VTVT00066		SCREW TCCE UNI 5931 8X25 ZB	4,00	20/03/2015		--
0081	MPVR00411		HANDLE TRG	2,00	20/03/2015		--
0082	VTRS00513		WASHER UNI 6593 8X32X2,5 ZB	4,00	20/03/2015		--
0083	VTDD00124		NUT M8 DIN985	4,00	20/03/2015		--
0084	VTVR00020		INSERT FILETTATO ESAGONALE M6	2,00	15/05/2015		--
0085	LAFN08232		BULKWARD CARBURATOR 1250-80 P-D	1,00	15/05/2015		--



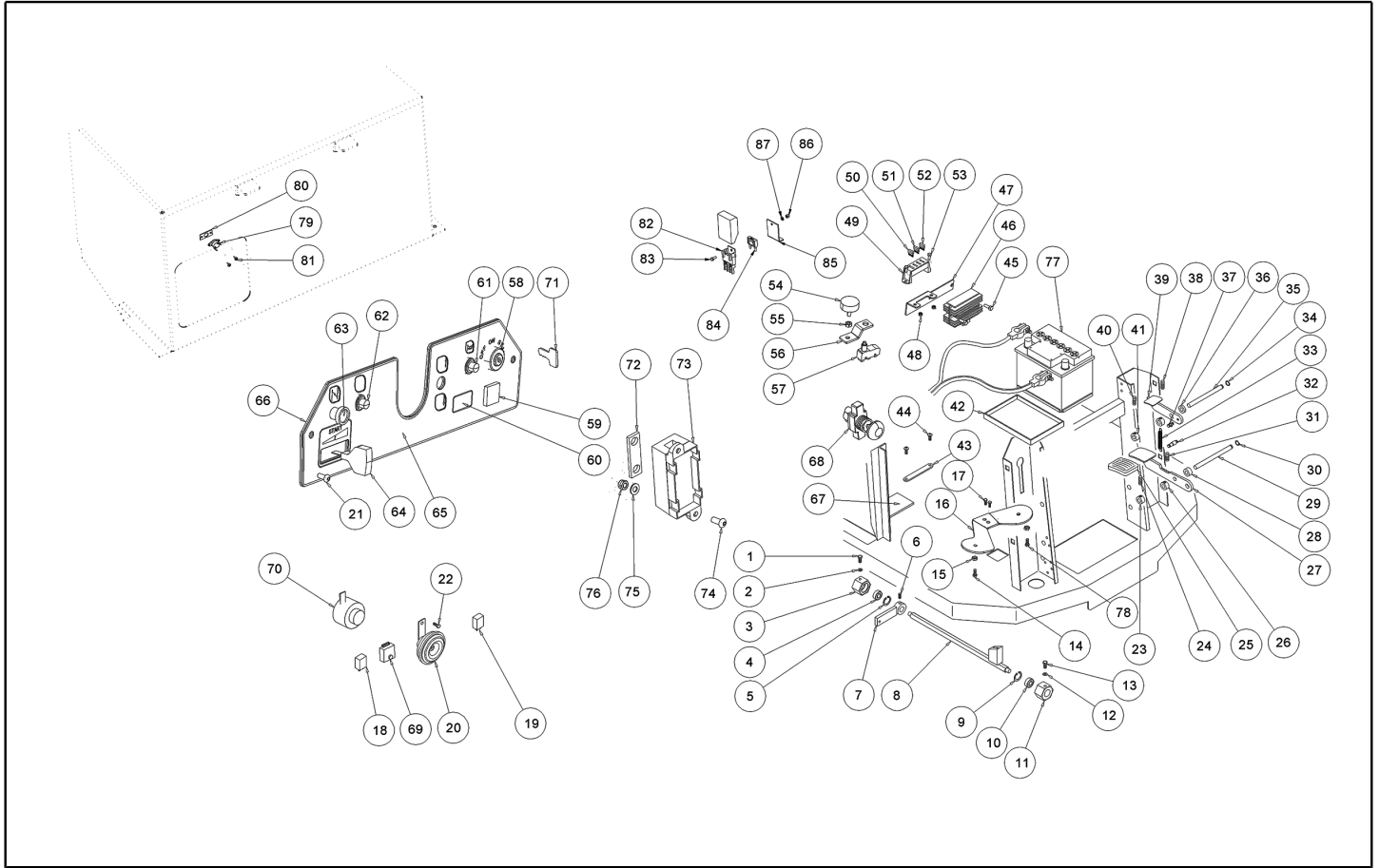
Ref. K	Part n.	Part n. 2	Description	Quantity	Validity		Price
					From	To	
0086	VTVT75726		SCREW TBCE ISO 7380 6X16 ZB	4,00	15/05/2015		--
0087	MEVR02924		BOARD SEAT REED	1,00	09/10/2018		--
0088	VTVT00446		SCREW TE UNI 5739 8X20 ACC.8.8	1,00	18/02/2020		--
0089	VTVT00017		SCREW TE UNI 5739 8X35 ZB	1,00	18/02/2020		--
0090	LAFN04042		SPACER D8.5-15	1,00	18/02/2020		--
0091	LAFN11499		BRACKET HOOD 838R-858R	2,00	18/02/2020		--
0092	VTDD00124		NUT M8 DIN985	2,00	18/02/2020		--
0093	LAFN11498		BRACKET HOOD 838R-858R	1,00	18/02/2020		--



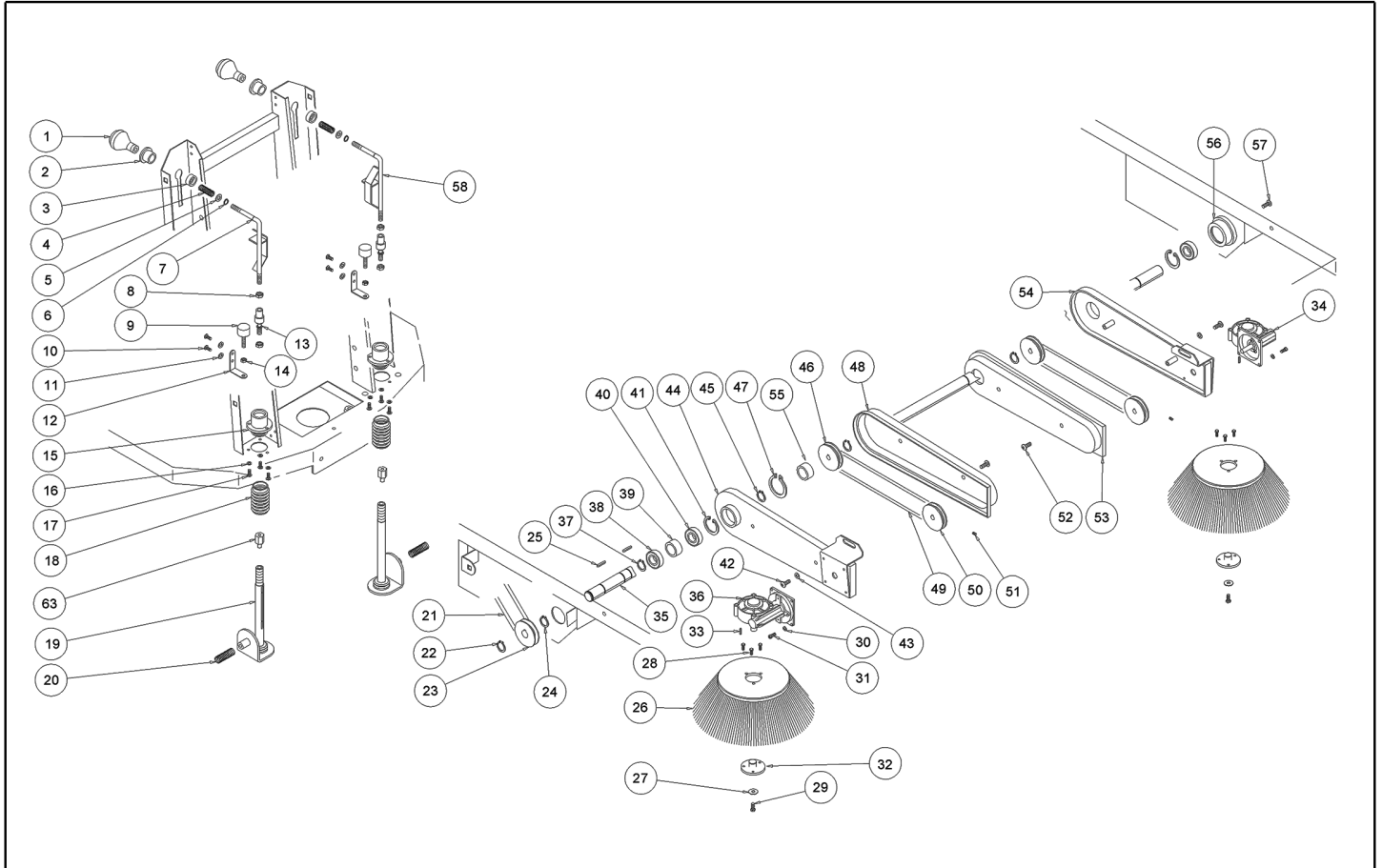
Ref. K	Part n.	Part n. 2	Description	Quantity	Validity		Price
					From	To	
0001	LAFN08175		DRAWER TK1000	1,00			--
0002	LAFN00433		WHEEL PIN D.15 L.70,5	2,00			--
0003	RTRT00013		WHEEL GOMMA D.125	2,00			--
0004	VTVR26502		WHEEL'S COVER D.15	2,00			--
0005	VTRS00505		WASHER D.10 UNI 6592	2,00			--
0006	VTDD00042		NUT AUT.M10 UNI7474	2,00			--
0007	VTDD00491		NUT M 6 TEF	4,00			--
0008	VTRS04026		WASHER D. 6X18X2.38	4,00			--
0009	CHVR76643		SUPP.HOLDER LOCK SW1000	1,00			--
0010	VTVT75726		SCREW TBCE ISO 7380 6X16 ZB	2,00			--
0011	CHVR76642		CLOSURE SW1000	1,00			--
0012	VTVT75726		SCREW TBCE ISO 7380 6X16 ZB	2,00			--
0013	LAFN08194		HANDLE -	1,00			--
0014	VTVT63029		SCREW TCCE UNI 5931 6X35 ZB	4,00			--
0015	MPVR06100		DRAWER REAR 1250	2,00			--
0016	LAFN08149		REINFORCEMENT -	8,00			--
0017	VTDD00057		NUT UNI 5589 M8 BASSO ZB	4,00			--
0018	LAFN11080		HANDLE -	2,00			--
0019	VTVR01068		THREADED BAR M8X135MM	2,00			--
0020	GUVR00625		GASKET L=1,8MT	1,00			--
0021	KTRI04765		KIT 1250 REAR DRAWER	1,00			--



Ref. K	Part n.	Part n. 2	Description	Quantity	Validity		Price
					From	To	
0001	VTVT45395		SCREW TBCE ISO 7380 8X10 ZB	1,00			--
0002	VTRS00504		WASHER D. 8 ZC. UNI 6592	1,00			--
0003	LAFN00710		SUPPORT TRASMISSIONE ACCELERATORE	1,00			--
0004	CUVR86373		BEARING 6000 2RS	1,00			--
0005	VTAE13513		CIRCLIP D. 26 UNI 7437	1,00			--
0006	VTVT00481		GRUB SCREW UNI 5927 8X10 CON PUNTA	1,00			--
0007	LAFN00711		ARM SELEZIONE DIREZ.1000S ZN	1,00			--
0008	ALTR00020		SHAFT CON BLOCCHE.T.X SELE.DIREZ	1,00			--
0009	VTAE13513		CIRCLIP D. 26 UNI 7437	1,00			--
0010	CUVR86373		BEARING 6000 2RS	1,00			--
0011	LAFN00710		SUPPORT TRASMISSIONE ACCELERATORE	1,00			--
0012	VTRS00504		WASHER D. 8 ZC. UNI 6592	1,00			--
0013	VTVT45395		SCREW TBCE ISO 7380 8X10 ZB	1,00			--
0014	VTVT00452		SCREW TE 8X 50 UNI 5739	1,00			--
0015	VTDD00483		NUT M 8 ZIN UNI 5588	2,00			--
0016	LAFN08167		PEDAL -	1,00			--
0017	VTVT45395		SCREW TBCE ISO 7380 8X10 ZB	2,00			--
0018	MERL00012		SWITCH RELAY 12V	1,00			--
0019	MERL00012		SWITCH RELAY 12V	1,00			--
0020	MEVR33429		KLAXON K100/YA 12V	1,00			--
0021	VTVT00659		SCREW TC+ M. 4-15	8,00			--
0022	VTVT85116		SCREW AUTOF.TE FR 6,3X19 ZB	1,00			--
0023	LAFN47030		BUSHING FISS.PEDALE FRENO FORATA	1,00			--
0024	VTVT75731		GRUB SCREW UNI 5923 6X5	1,00			--
0025	MPVR45096		PEDAL COVER GRANDE V1021	1,00			--
0026	LAFN47030		BUSHING FISS.PEDALE FRENO FORATA	1,00			--
0027	LAFN06886		PEDAL FRENO TK1000 ZINCATO	1,00			--
0028	LAFN47019		BUSHING FISSAGGIO PEDALE FRENO	1,00			--
0029	LAFN47036		PIN FISS.PEDALE FRENO+ALZAF.L.	1,00			--
0030	VTAE87276		SEEGER EXT. D10 DIN471	1,00			--
0031	VTVT75731		GRUB SCREW UNI 5923 6X5	1,00			--
0032	LAFN47035		PIN CH.10 H.26 ATTACCO MOLLA	1,00			--
0033	MLML75960		SPRING TRAZIONE TK D.8X1X29 ZB	1,00			--
0034	VTAE87276		SEEGER EXT. D10 DIN471	1,00			--
0035	LAFN47031		PIN PEDALE BLOCCO FRENO 1000	1,00			--
0036	LAFN47033		BUSHING FISSAGGIO PERNO PEDALI	1,00			--
0037	LAFN47029		PIN CH.10 H.16 ATTACCO MOLLA	1,00			--
0038	VTVT75731		GRUB SCREW UNI 5923 6X5	1,00			--
0039	LAFN47032		PEDAL BLOCCO FRENO TK1000 ZINC	1,00			--
0040	VTVT75731		GRUB SCREW UNI 5923 6X5	1,00			--
0041	LAFN47030		BUSHING FISS.PEDALE FRENO FORATA	2,00			--
0042	LAFN00232		CONTAINER PORTABATT.TK1000S VERNIC.	1,00			--
0043	LAFN87142		BRACKET BILANCERE ZINCATO	1,00			--
0044	VTVT75725		SCREW TBCE ISO 7380 6X10 ZB	2,00			--

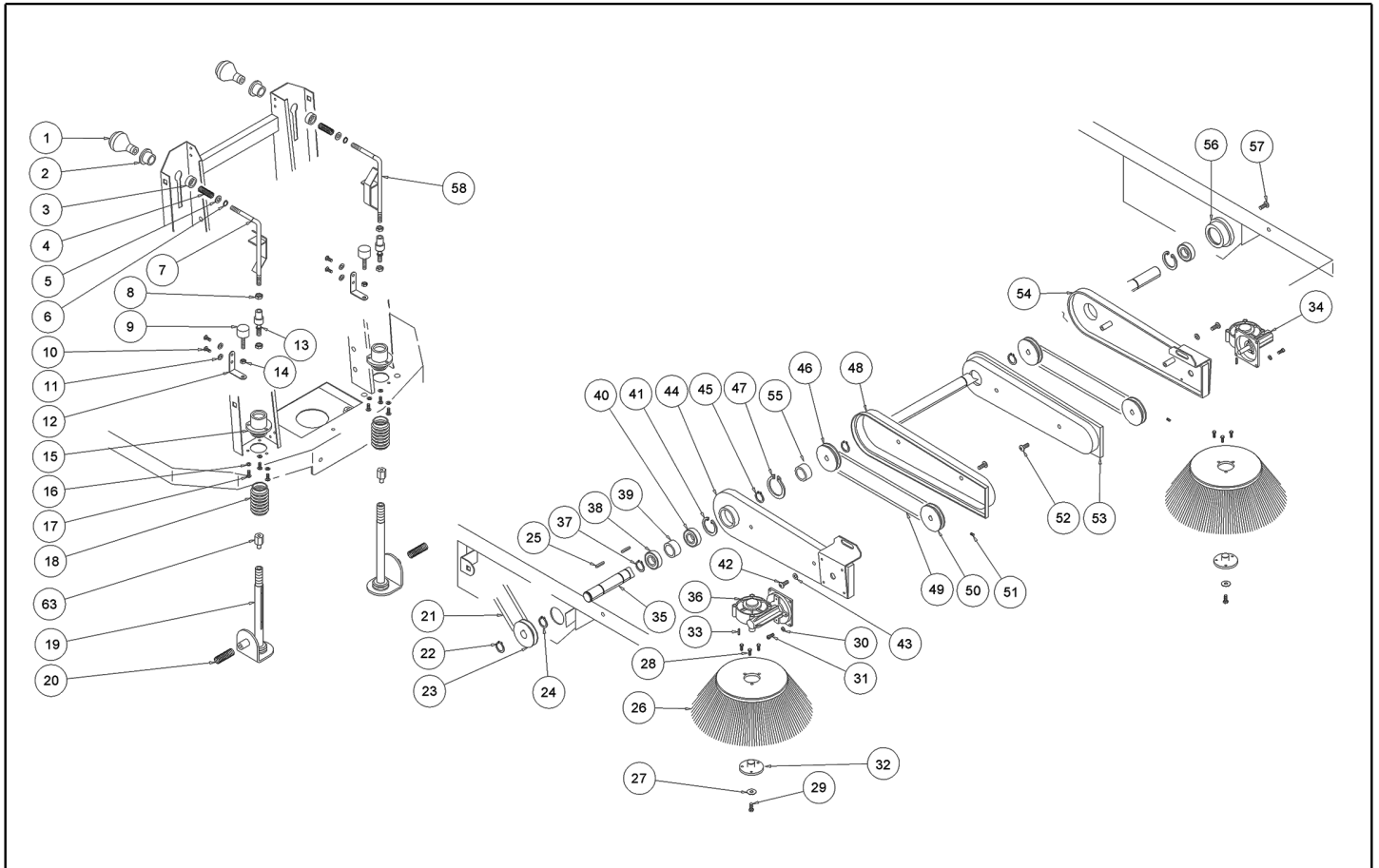


Ref. K	Part n.	Part n. 2	Description	Quantity	Validity		Price
					From	To	
0045	VTVT00245		SCREW TE M6X30 UNI 5739	2,00			--
0046	METR87144		ADJUSTER X MOTORE HONDA GX160K1	1,00			--
0047	LAFN08183		BRACKET -	1,00			--
0048	VTDD04368		NUT M 4 ZIN UNI 5588	2,00			--
0049	MEVR00030		FUSE-HOLDER 4 VIE COPERCHIO TRAS.	1,00			--
0050	MEVR01133		FUSE 15A 32V	1,00			--
0051	MEVR01316		FUSE A LAMA 10 A. 32V	1,00			--
0052	MEVR01316		FUSE A LAMA 10 A. 32V	1,00			--
0053	VTVT00003		SCREW TE M 4X 12 ZC. UNI 5739	2,00			--
0054	ABGO00026		VIBRATION DAMP.	2,00			--
0055	VTDD10776		NUT M 8 X1 UNI 5588	4,00			--
0056	LAFN07862		BRACKET -	1,00			--
0057	MECI75801		MICROSWITCH A PISTONE (MS/10-Z15GC)	1,00			--
0058	MECI87180		SWITCH A CHIAVE	1,00			--
0059	MEVR00036		WARN-LIGHT VERDE NEUTRA	1,00			--
0060	MESB00010		HOUR-COUNTER CURTIS	1,00			--
0061	MEVR85330		BUTTON -	1,00			--
0062	MEVR85330		BUTTON -	1,00			--
0063	CMCV87185		CABLE + GU. STARTER TK	1,00			--
0064	CMCV75739		ACCELERATOR TK S	1,00			--
0065	ETET01799		LABEL -	1,00		06/10/2021	--
0065	ETET16199		LABEL -	1,00	07/10/2021		--
0066	LAFN08205		BOARD -	1,00			--
0067	MPVR00739		RUBBER PARAPOLVERE CILIND.STABIL	1,00			--
0068	MECI00571		BUTTON EMERGENCY BL.SB 1250	1,00			--
0069	MECE00476		BOARD 20W	1,00			--
0070	MEVR02013		BUZZER -	1,00			--
0071	MEVR00056		KEY QUADRO AVV.COBO TK1000S	1,00			--
0072	MEVR00145		FUSE 100A	1,00	21/11/2016		--
0073	MEVR00146		FUSE-HOLDER MEGA	1,00	21/11/2016		--
0074	VTVT75726		SCREW TBCE ISO 7380 6X16 ZB	2,00	21/11/2016		--
0075	VTRS00503		WASHER D. 6 UNI 6592	2,00	21/11/2016		--
0076	VTDD00491		NUT M 6 TEF	2,00	21/11/2016		--
0077	BAAC75749		BATTERY 12V 45A X SW1000SC	1,00			--
0078	VTVT00448		SCREW TE 8X30 UNI5739	1,00			--
0079	METK00017		SENSOR TEMPERATURE 70°C	1,00	03/03/2020		--
0080	GUGO00675		GASKET -	1,00	03/03/2020		--
0081	VTVT00040		SCREW AUTOF.TC UNI6954 3,5X10SP	2,00	03/03/2020		--
0082	MEVR00613		FUSE CARRIER MAXIVAL with cover	1,00	03/08/2020		--
0083	VTVT14062		SCREW TE UNI 5739 5X16 ZB A.8.8	1,00	03/08/2020		--
0084	MEVR02048		FUSE 40A	1,00	03/08/2020		--
0085	LAFN11478		BRACKET .	1,00	03/08/2020		--
0086	VTDD00128		SELF-LOCJ.NUT M5	1,00	03/08/2020		--
0087	VTRS00502		WASHER D. 5 0.466 UNI 6592	1,00	03/08/2020		--

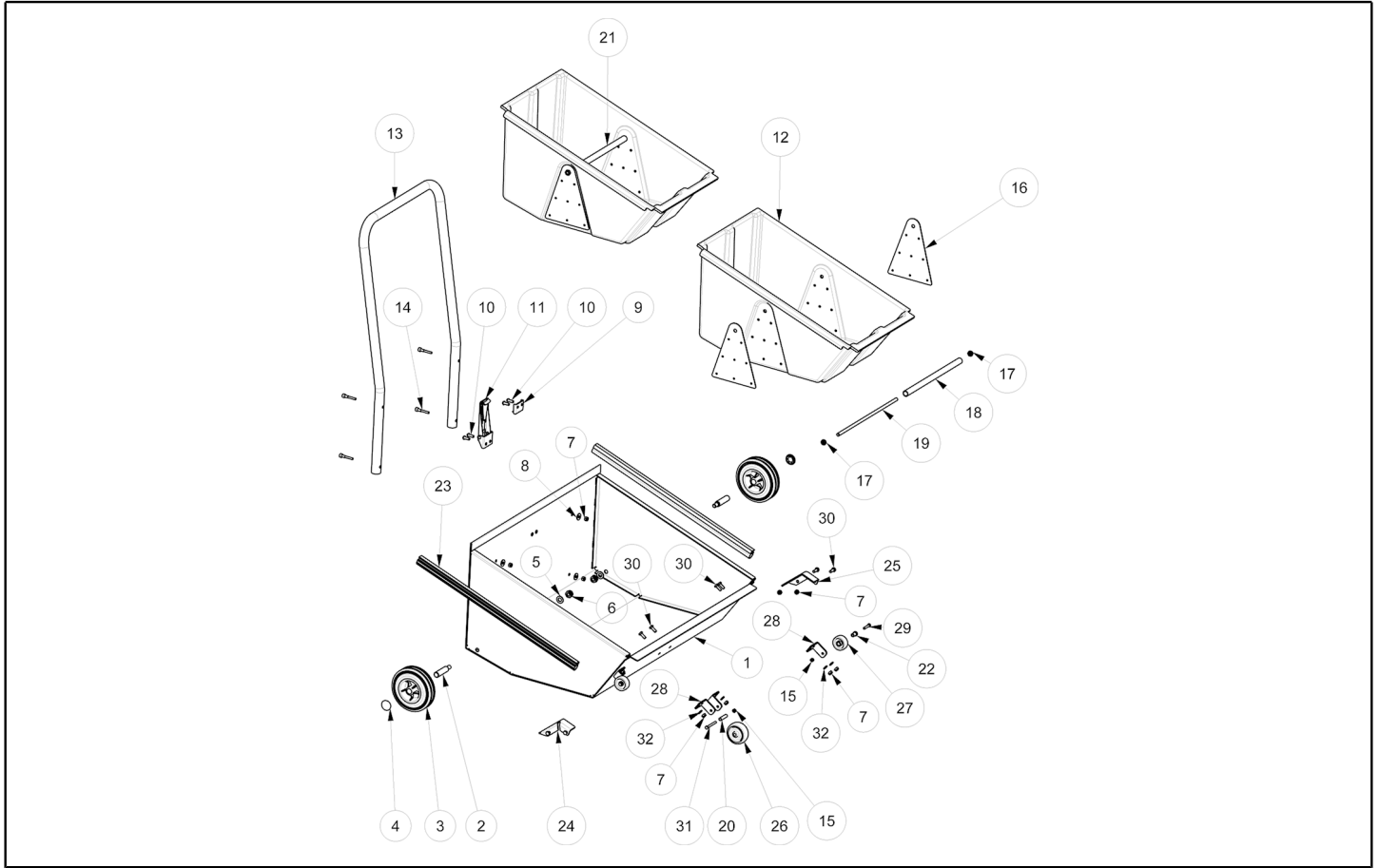


Ref. K	Part n.	Part n. 2	Description	Quantity	Validity		Price
					From	To	
0001	MPVR87264		KNOB ALZASPAZ.LATERALE TK1000	2,00			--
0002	MPVR47076		BUSHING DI FERMO BRACCIO LAT.	2,00			--
0003	MPVR47074		BUSHING FERMO ALZASPAZ.LAT.INT.	2,00			--
0004	MLML47075		SPRING LEVA SPAZ.LAT.D.15X1,5X24	2,00			--
0005	VTRS00505		WASHER D.10 UNI 6592	2,00			--
0006	VTAE87276		SEEGER EXT. D10 DIN471	2,00			--
0007	LAFN00700		ARM DX ALZA SPAZ. TK1000 ZINC	2,00			--
0008	VTDD00008		NUT M10 UNI 5589 ZB	4,00			--
0009	ABGO00008		VIBRATION DAMP. PM 20X20 M6X20	2,00			--
0010	VTVT75726		SCREW TBCE ISO 7380 6X16 ZB	4,00			--
0011	VTRS04026		WASHER D. 6X18X2,38	4,00			--
0012	MPVR86579		SUPPORT TK	2,00			--
0013	VTVR47072		ARTICULATION ASSIALE M10	2,00			--
0014	VTDD00482		NUT M 6 ZIN UNI 5588	2,00			--
0015	LAFN87266		FLANGE SUPP.SPAZ.LAT.TK1000S ZIN	2,00			--
0016	VTRS00503		WASHER D. 6 UNI 6592	6,00			--
0017	VTVT75726		SCREW TBCE ISO 7380 6X16 ZB	6,00			--
0018	MPVR47066		PROTECTOR X ALBERO SPAZZOLA TK1000	2,00			--
0019	LAFN87267		SUPPORT BRACCIO LAT.DX/SX 1000 ZIN	2,00			--
0020	MLML75963		SPRING PREMI SPAZZ.D.20X2X37 ZB	2,00			--
0021	MTCG00139		BELT XPZ ESEC.6T 6B LP825	1,00			--
0022	VTAE13512		CIRCLIP D. 17 UNI 7435	1,00			--
0023	MTPL00016		PULLEY D.78 H.25	1,00			--
0024	VTAE13512		CIRCLIP D. 17 UNI 7435	1,00			--
0025	VTVR33667		KEY UNI 6604 5X5X25	2,00			--
0026	SPPV00018		SIDE-BRUSH 1202-1250-1280	2,00			--
0027	VTRS63242		WASHER UNI 6593 6X24X2 ZB	2,00			--
0028	VTVT62920		SCREW TE FR 6X16 ZB ZIGRINATE	6,00			--
0029	VTVT00527		SCREW TE FR 6X10 ZB ZIG.	2,00			--
0030	VTRS00503		WASHER D. 6 UNI 6592	8,00			--
0031	VTVT75726		SCREW TBCE ISO 7380 6X16 ZB	8,00			--
0032	LAFN45010		FLANGE L.1400 LT	2,00			--
0033	VTVR33667		KEY UNI 6604 5X5X25	2,00			--
0034	RDGR75786		REDUCTION UNIT SPAZ.LAT.SX TK1000S	1,00			--
0035	ALTR87270		SHAFT TRAS.SX SPAZ.LAT TK1000S	1,00			--
0036	RDGR85001		REDUCTION UNIT SPAZ.LAT.DX TK1000S	1,00			--
0037	VTAE13512		CIRCLIP D. 17 UNI 7435	1,00			--
0038	CUVR00008		BEARING 6003 2RS	1,00			--
0039	LAFN00102		SPACER CUSCIN.MOZZO SOST.SP.LAT.	1,00			--
0040	CUVR00008		BEARING 6003 2RS	2,00			--
0041	VTAE17002		CIRCLIP D. 35 UNI 7437	2,00			--
0042	VTVT87271		SCREW TBCE ISO 7380 8X16 ZB	2,00			--
0043	VTRS00512		WASHER D. 8 X24 ZC.	2,00			--
0044	LAFN76761		ARM ALZASPAZ.LAT.DX 1000S NER	1,00			--

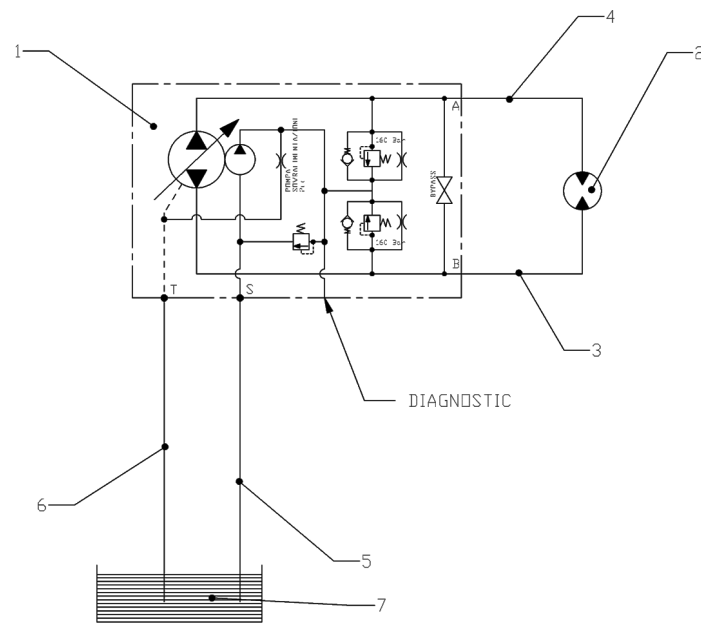




Ref. K	Part n.	Part n. 2	Description	Quantity	Validity		Price
					From	To	
0045	VTAE13512		CIRCLIP D. 17 UNI 7435	1,00			--
0046	MTPL87275		PULLEY D.96 H.26	1,00			--
0047	VTAE87277		SEEGER ESTERNO DIN 471 D.45	2,00			--
0048	MPVR87287		CRANKCASE BRACCIO LAT.DX TK1000S	1,00			--
0049	MTCG85309		BELT TONDA D.8	2,00			--
0050	MTPL87274		PULLEY D.75 H.27	2,00			--
0051	VTVT86570		GRUB SCREW UNI 5927 6X10 CON PUNTA	2,00			--
0052	VTVT45395		SCREW TBCE ISO 7380 8X10 ZB	4,00			--
0053	MPVR87281		CRANKCASE BRACCIO LAT SX TK1000S	1,00			--
0054	LAFN87273		ARM ALZASPAZ.LAT.SX 1000S VER	1,00			--
0055	LAFN11094		SPACER Øe 24 Øi 17.5 L 16	1,00			--
0056	LAFN87280		HUB SOSTEG.SX ALBERO SPAZ.LAT	1,00			--
0057	VTVT47025		SCREW TBCE ISO 7380 10X16 ZB	1,00			--
0058	LAFN87265		ARM SX ALZA SPAZ.LAT.TK1000zn	1,00			--
0063	LAFN08217		SPACER -	2,00			--



Ref. K	Part n.	Part n. 2	Description	Quantity	Validity		Price
					From	To	
0001	LAFN08175		DRAWER TK1000	1,00			--
0002	LAFN00433		WHEEL PIN D.15 L.70,5	2,00			--
0003	RTRT00013		WHEEL GOMMA D.125	2,00			--
0004	VTVR26502		WHEEL'S COVER D.15	2,00			--
0005	VTRS00505		WASHER D.10 UNI 6592	2,00			--
0006	VTDD00042		NUT AUT.M10 UNI7474	2,00			--
0007	VTDD00491		NUT M 6 TEF	14,00			--
0008	VTRS04026		WASHER D. 6X18X2,38	4,00			--
0009	CHVR76643		SUPP.HOLDER LOCK SW1000	1,00			--
0010	VTVT75726		SCREW TBCE ISO 7380 6X16 ZB	4,00			--
0011	CHVR76642		CLOSURE SW1000	1,00			--
0012	MPVR06100		DRAWER REAR 1250	2,00			--
0013	LAFN08194		HANDLE -	1,00			--
0014	VTVT63029		SCREW TCCE UNI 5931 6X35 ZB	4,00			--
0015	VTDD08171		NUT M 5 TEF	3,00			--
0016	LAFN08149		REINFORCEMENT -	4,00			--
0017	VTDD00057		NUT UNI 5589 M8 BASSO ZB	4,00			--
0018	LAFN11080		HANDLE -	2,00			--
0019	VTVR01068		THREADED BAR M8X135MM	2,00			--
0020	LAFN06735		SPACER 6-8 H31,5	1,00			--
0021	KTRI04765		KIT 1250 REAR DRAWER	2,00			--
0022	LAFN36619		SPACER D. 5-12 L=17 L.8 OT.	2,00			--
0023	GUVR00010		GASKET	2,00			--
0024	LAFN12140		BRACKET DRAWER GUIDE RH	1,00			--
0025	LAFN12139		BRACKET DRAWER GUIDE LH	1,00			--
0026	RTRT00398		WHEEL d.60 HOLE 8	1,00			--
0027	RTRT34920		WHEEL D. 40-D. 7 NYL L.8	2,00			--
0028	LAFN12141		BRACKET WHEEL GUIDE DRAWER	4,00			--
0029	VTVT00278		SCREW EXAGONAL 5X25	2,00			--
0030	VTVT01531		SCREW TE 6X 16 UNI 5739	10,00			--
0031	VTVT01481		SCREW TE 5X45 UNI5739 INOX	1,00			--
0032	VTRS00503		WASHER D. 6 UNI 6592	6,00			--



1	PPBP00048	POMPA TRAZIONE	TRACTION PUMP
2	PPBP00001	MOTORE TRAZIONE	TRACTION MOTOR
3	TBFX85522	TUBO FLEX 5/16 L.1510	HOSE FLEX 5/16 L.1510
4	TBFX85523	TUBO FLEX 5/16 L.1410	HOSE FLEX 5/16 L.1410
5	TBBP00436	TUBO ASPIRAZIONE L=490	INLET HOSE L=490
6	TBBP87182	TUBO B.P.670 MM	LOW PRESSURE HOSE 670MM
7	MPVR00015	SERBATOIO OLIO CON FILTRO	OIL TANK WITH FILTER

Ref. K	Part n.	Part n. 2	Description	Quantity	Validity		Price
					From	To	
0001	PPBP00048		PUMP 10 CC	1,00			--
0002	PPBP00001		MOTORE IDRAULICO MGLR 100A 25NIT	1,00			--
0003	TBFX85522		TUBE 5/16 L.1530 25001001	1,00			--
0004	TBFX85523		TUBE 5/16 COMPL.L.1410 MARCIA	1,00			--
0005	TBBP00436		TUBE L=490	1,00			--
0006	TBBP87182		TUBE BASSA PRESSIONE L.670	1,00			--
0007	MPVR00015		TANK X OLIO CON FILTRO TK1000S	1,00			--