

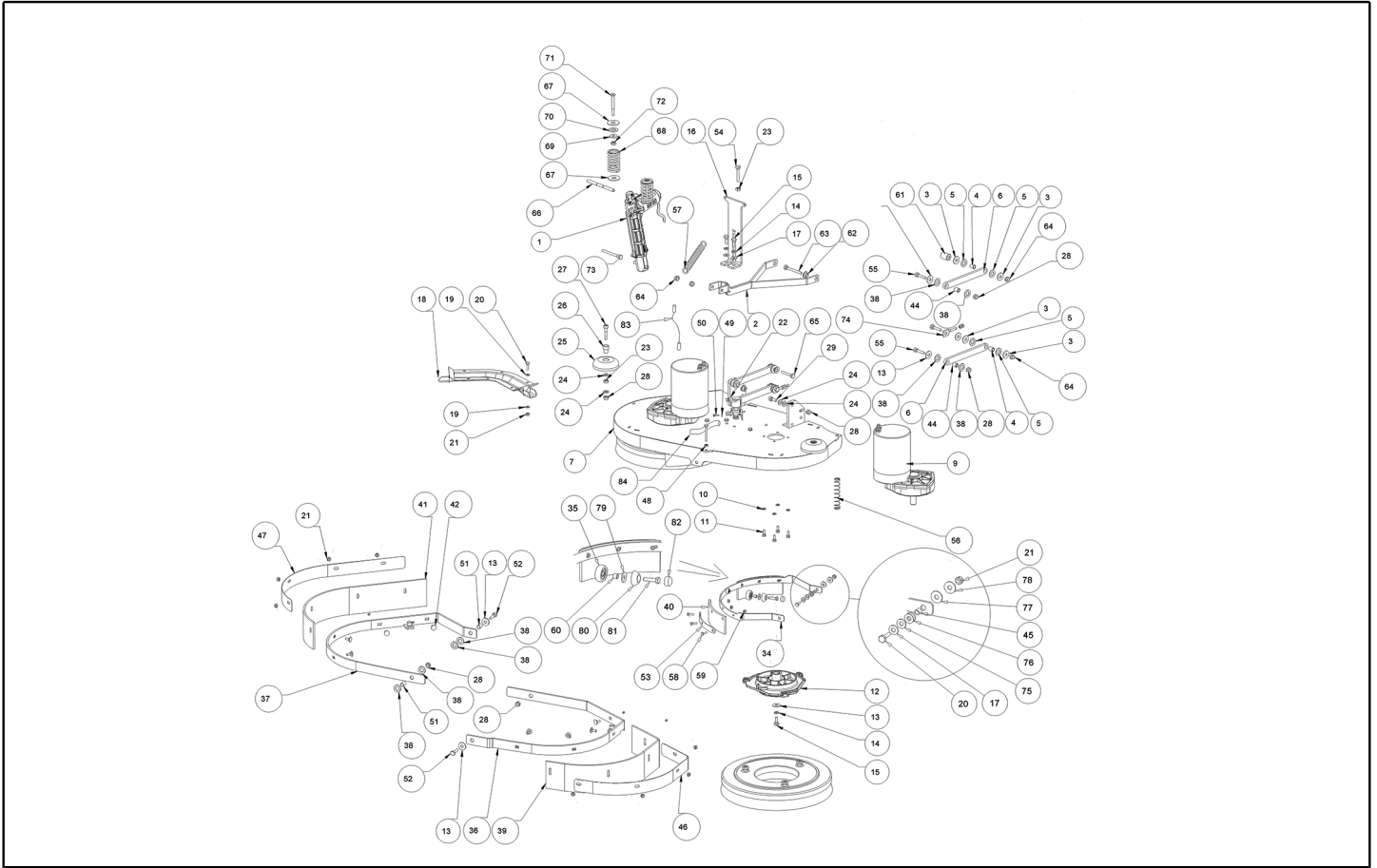


**IPC**

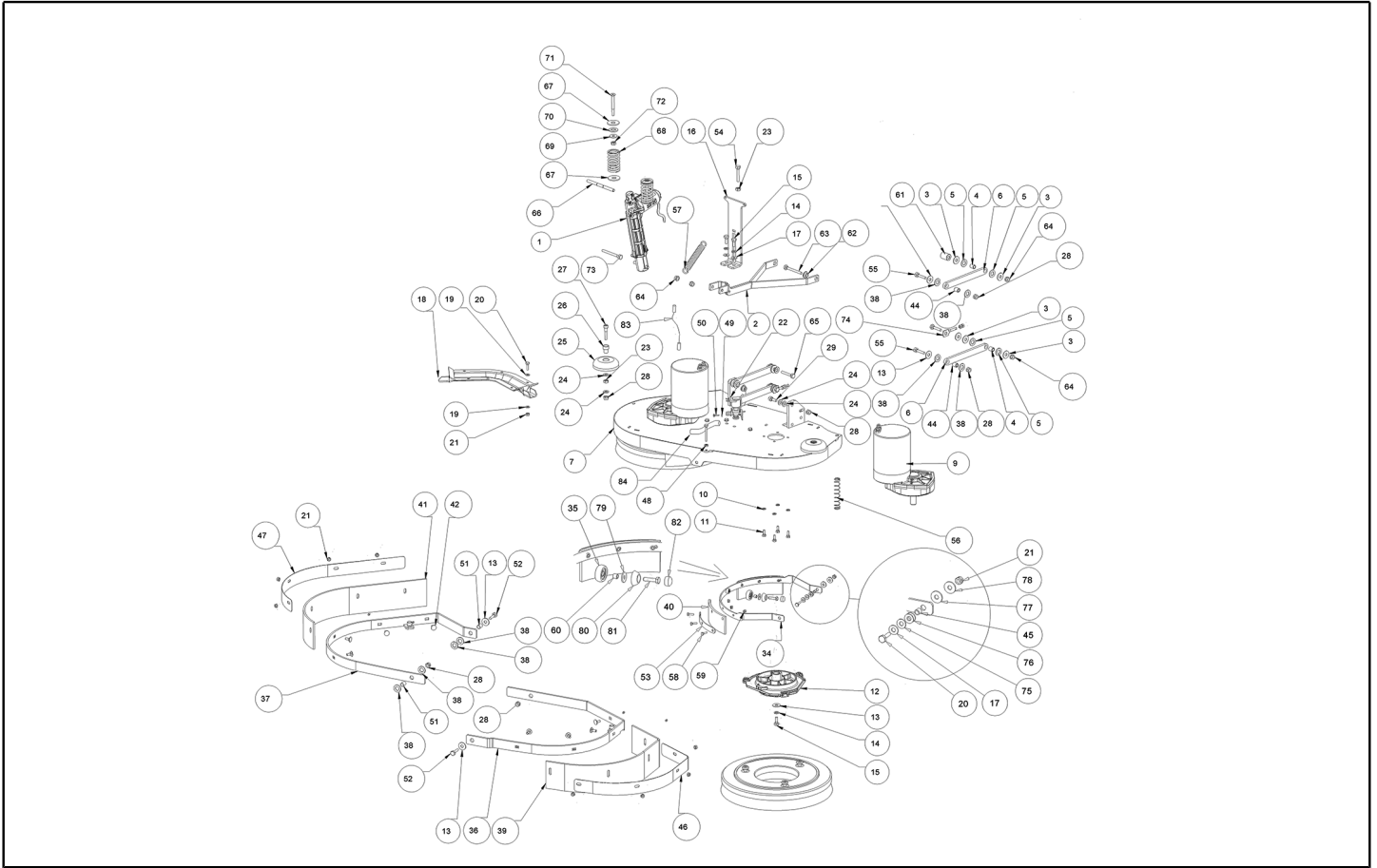
**Spare parts list**

Ref: LPTB02722

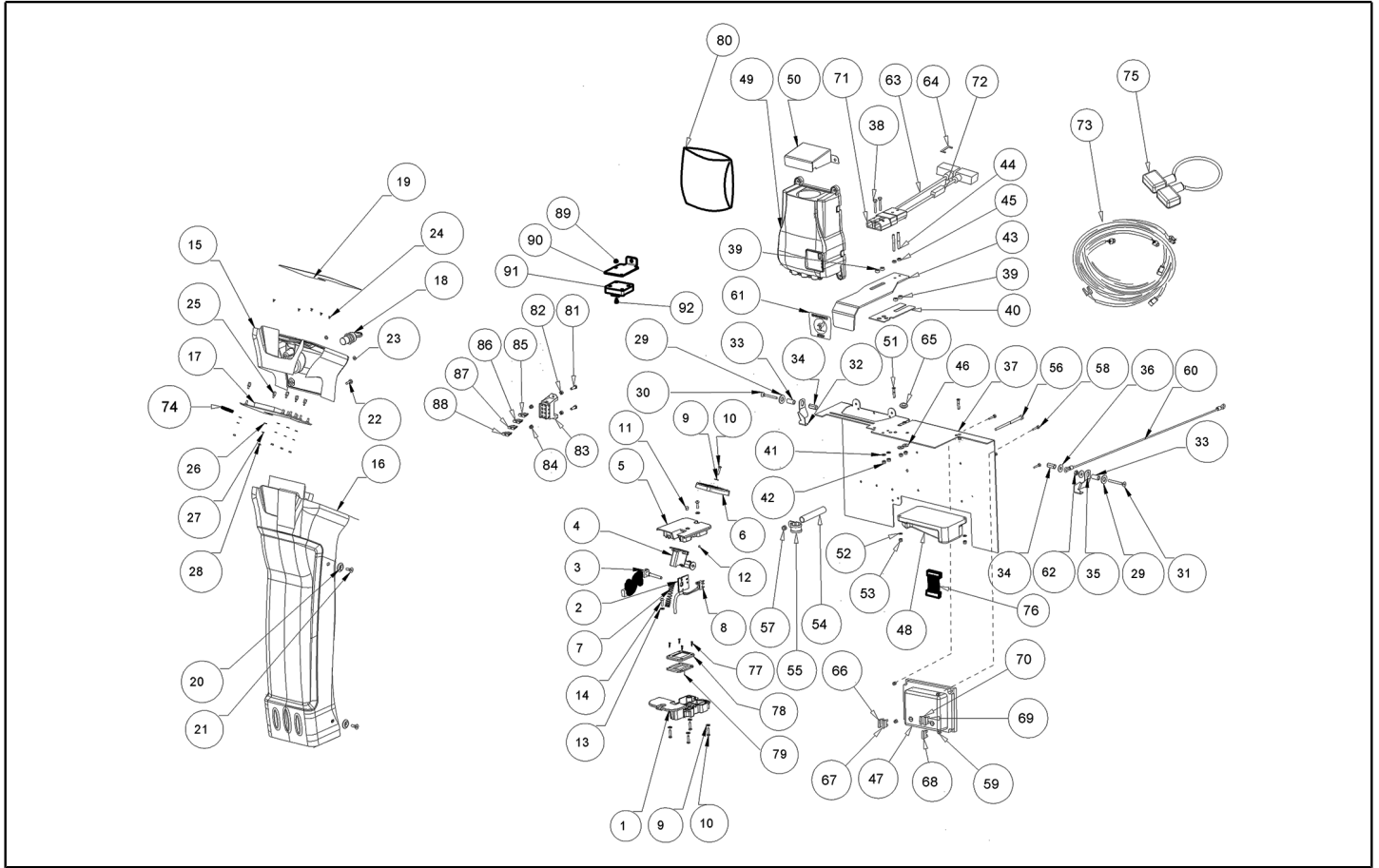
Model: FLOOR WASHER CT80 BT70+CB+BAT GR/VE



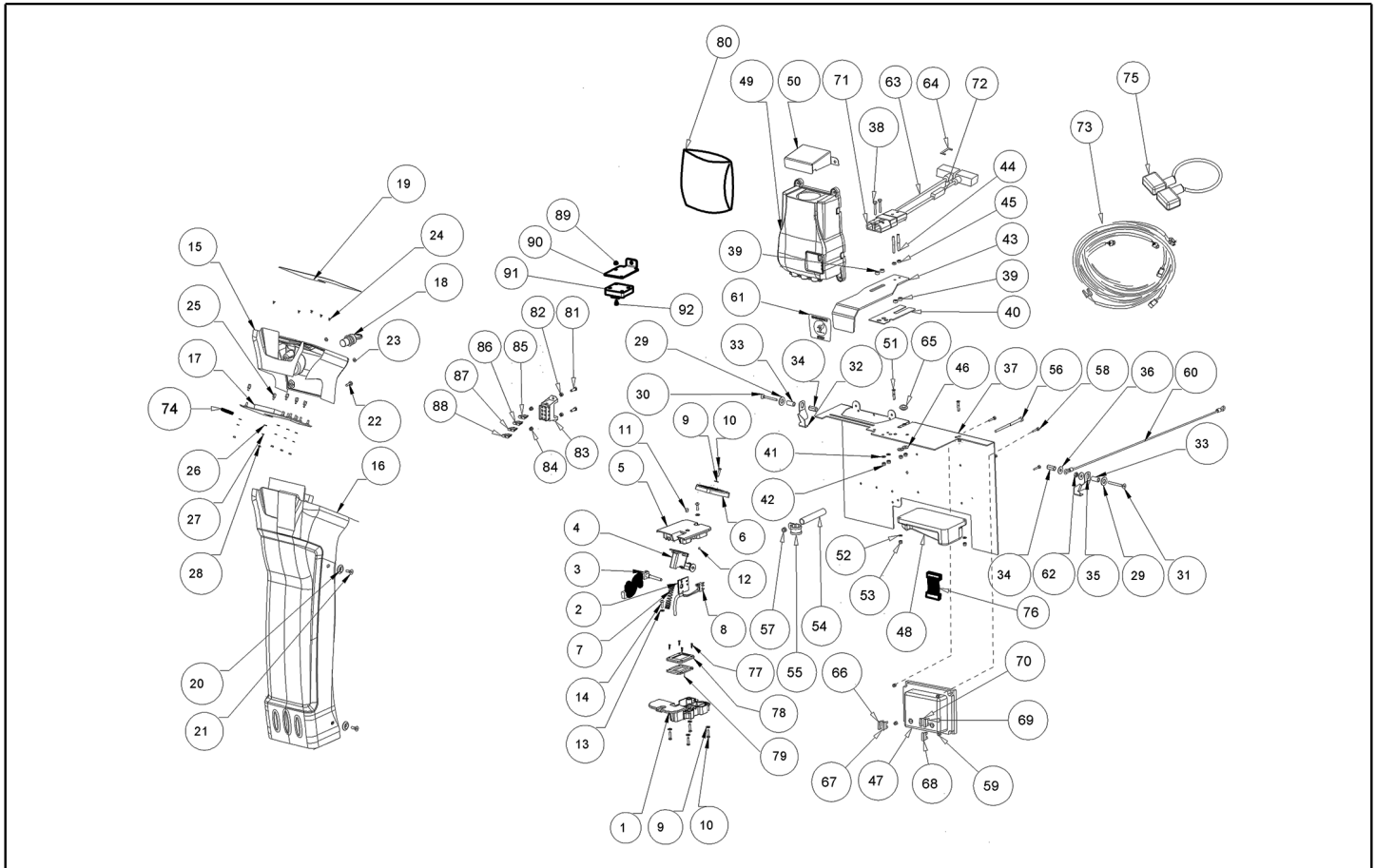
| Ref. K | Part n.   | Part n. 2 | Description                       | Quantity | Validity   |            | Price |
|--------|-----------|-----------|-----------------------------------|----------|------------|------------|-------|
|        |           |           |                                   |          | From       | To         |       |
| 0001   | MOCC00423 |           | ACTUATOR BRUSH HEAD CT80          | 1,00     |            |            | --    |
| 0002   | LAFN09305 |           | BRACKET ACTUATOR 2BR. VERSION     | 1,00     |            |            | --    |
| 0003   | VTRS13946 |           | WASHER D. 8 X24 INX UNI 6593      | 8,00     |            |            | --    |
| 0004   | LAFN04151 |           | BUSHING X PARALLELOGRAMMA         | 4,00     |            |            | --    |
| 0005   | VTRS43258 |           | WASHER D.13X24 X2.5 NYL UNI6592   | 4,00     |            |            | --    |
| 0006   | LAFN09298 |           | BRACKET BRUSH HEAD CT80           | 4,00     |            |            | --    |
| 0007   | LAFN09311 |           | PLATE -                           | 1,00     |            |            | --    |
| 0009   | MOCC00437 |           | MOTOR.GEARBOX 24V 400W CT80       | 2,00     |            |            | --    |
| 0010   | VTRS15144 |           | WASHER D. 6 INX GRW UNI 1751      | 8,00     |            |            | --    |
| 0011   | VTVT15143 |           | SCREW TE 6X16 UNI5739             | 8,00     |            |            | --    |
| 0012   | MFVR00212 |           | DRIVE DISK ALUMINIUM              | 2,00     |            | 02/09/2020 | --    |
| 0012   | MFVR00242 |           | DRIVE DISK CONICAL ALUMINIUM      | 2,00     | 03/09/2020 |            | --    |
| 0013   | VTRS16323 |           | WASHER D. 8 X32 UNI 6593 INX      | 2,00     |            |            | --    |
| 0014   | VTRS15146 |           | WASHER GROVER A2 UNI1751          | 2,00     |            |            | --    |
| 0015   | VTVT13938 |           | SCREW TE 8X20 UNI5739 INX         | 2,00     |            |            | --    |
| 0016   | LAFN09303 |           | BRACKET -                         | 1,00     |            |            | --    |
| 0017   | VTRS13945 |           | WASHER D. 6X18 INX UNI 6593       | 4,00     |            |            | --    |
| 0018   | MPVR07147 |           | CONVEYOR -                        | 1,00     |            |            | --    |
| 0019   | VTRS00245 |           | WASHER D.6 UNI 6592 INOX          | 12,00    |            |            | --    |
| 0020   | VTVT13939 |           | SCREW TE 6X20 UNI5739 INX         | 4,00     |            |            | --    |
| 0021   | VTDD01694 |           | NUT M6 INOX                       | 6,00     |            |            | --    |
| 0022   | MEEV00036 |           | SOLENOID VALVE HOLE 8mm CLEANTIME | 1,00     |            |            | --    |
| 0023   | VTDD15521 |           | NUT M 8 INX A2 UNI 5588           | 2,00     |            |            | --    |
| 0024   | VTRS13947 |           | WASHER D. 8 INX UNI 6592          | 2,00     |            |            | --    |
| 0025   | MPVR06105 |           | WHEEL BUMPER D.80 H=22            | 2,00     |            |            | --    |
| 0026   | LAFN03915 |           | BUSHING NUOVO RUOTINO STRONG      | 2,00     |            |            | --    |
| 0027   | VTVT06241 |           | SCREW 8X40                        | 2,00     |            |            | --    |
| 0028   | VTDD01695 |           | NUT M 8 INX                       | 2,00     |            |            | --    |
| 0034   | LAFN09357 |           | BRACKET -                         | 2,00     |            |            | --    |
| 0035   | CUVR00184 |           | BEARING RS608 2RS1 PU-COATED      | 2,00     |            |            | --    |
| 0036   | LAFN09313 |           | BRACKET SX                        | 1,00     |            |            | --    |
| 0037   | LAFN09312 |           | BRACKET DX                        | 1,00     |            |            | --    |
| 0038   | VTRS43258 |           | WASHER D.13X24 X2.5 NYL UNI6592   | 4,00     |            |            | --    |
| 0039   | MPVR07112 |           | FLAP SIDE SKIRT CT80BT70          | 1,00     |            |            | --    |
| 0040   | MPVR07113 |           | FLAP -                            | 4,00     |            |            | --    |
| 0041   | MPVR07112 |           | FLAP SIDE SKIRT CT80BT70          | 1,00     |            |            | --    |
| 0042   | VTVT01208 |           | SCREW TBEI 5X35                   | 8,00     |            |            | --    |
| 0044   | LAFN04151 |           | BUSHING X PARALLELOGRAMMA         | 4,00     |            |            | --    |
| 0045   | LAFN07876 |           | SPACER -                          | 4,00     |            |            | --    |
| 0046   | LAFN09394 |           | BRACKET -                         | 1,00     |            |            | --    |
| 0047   | LAFN09395 |           | BRACKET -                         | 1,00     |            |            | --    |
| 0048   | VTDD00053 |           | NUT M6 INOX UNI5589               | 2,00     |            |            | --    |
| 0049   | VTRS00515 |           | WASHER D. 4 INX                   | 2,00     |            |            | --    |
| 0050   | VTVT01158 |           | SCREW M4x16                       | 2,00     |            |            | --    |



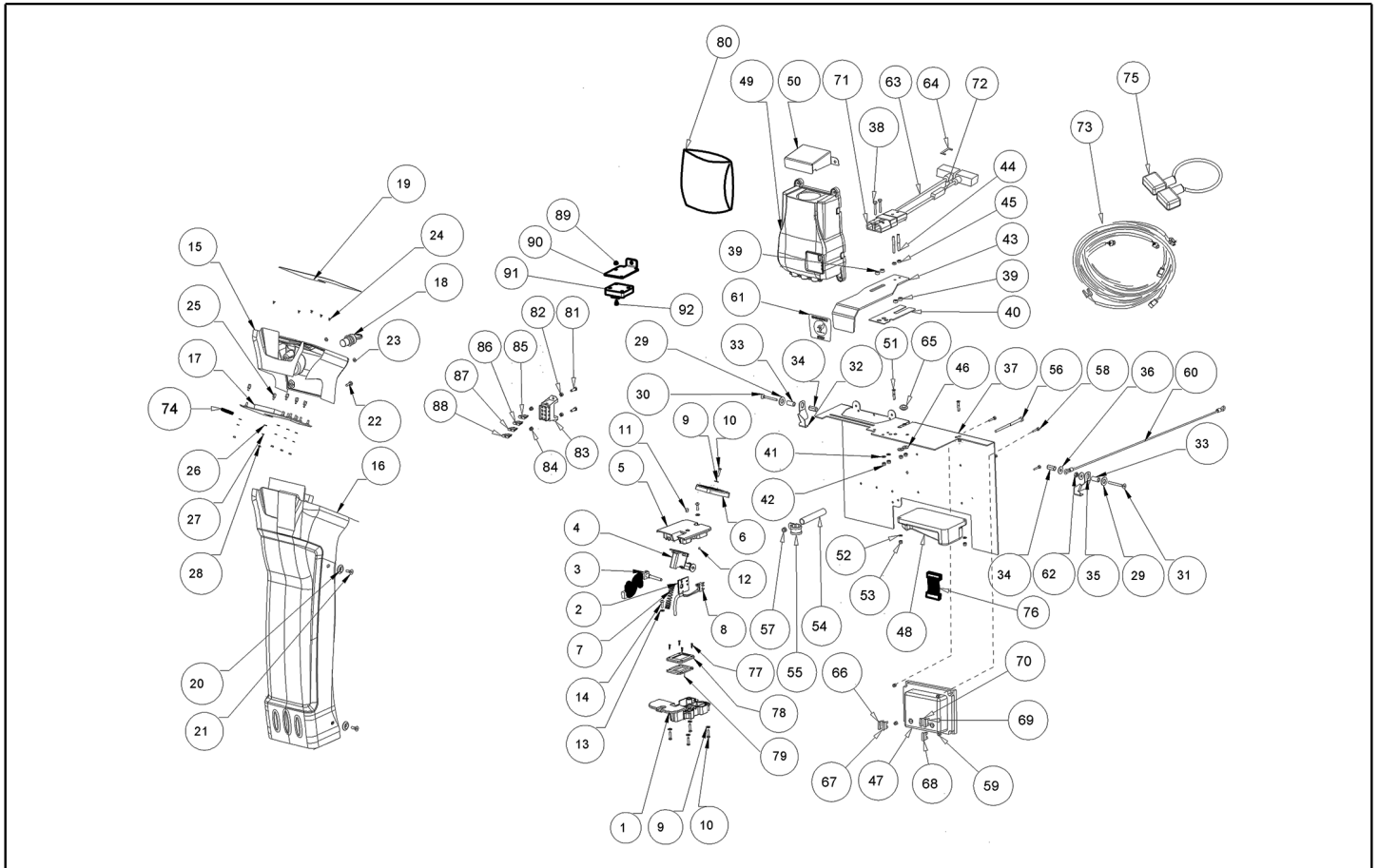
| Ref. K | Part n.   | Part n. 2 | Description                       | Quantity | Validity   |    | Price |
|--------|-----------|-----------|-----------------------------------|----------|------------|----|-------|
|        |           |           |                                   |          | From       | To |       |
| 0051   | LAFN08907 |           | SPACER 12-8                       | 2,00     |            |    | --    |
| 0052   | VTVT01050 |           | SCREW TE M 8X30 INX UNI 5737      | 2,00     |            |    | --    |
| 0053   | LAFN09295 |           | SHEET METAL PA. -                 | 4,00     |            |    | --    |
| 0054   | VTVT15371 |           | SCREW TE M 8X45 INOX A2 UNI       | 1,00     |            |    | --    |
| 0055   | VTVT00410 |           | SCREW TE M8x35 UNI5739 INOX       | 2,00     |            |    | --    |
| 0056   | MLML00345 |           | SPRING -                          | 2,00     |            |    | --    |
| 0057   | MLML00347 |           | SPRING BRUSH HEAD CT80            | 1,00     |            |    | --    |
| 0058   | VTVT07725 |           | SCREW TE 5X16 UNI5739 INX         | 12,00    |            |    | --    |
| 0059   | VTDD01693 |           | NUT M 5 INX                       | 12,00    |            |    | --    |
| 0060   | LAFN03840 |           | BUSHING                           | 2,00     |            |    | --    |
| 0061   | LAFN09327 |           | SPACER -                          | 1,00     |            |    | --    |
| 0062   | LAFN06391 |           | BUSHING BRUSH DECK SUPPORT        | 2,00     |            |    | --    |
| 0063   | VTVT00757 |           | SCREW                             | 1,00     |            |    | --    |
| 0064   | VTDD15521 |           | NUT M 8 INX A2 UNI 5588           | 2,00     |            |    | --    |
| 0065   | VTVT00708 |           | SCREW TE M. 8-40                  | 1,00     |            |    | --    |
| 0066   | LAFN09320 |           | PIN -                             | 1,00     |            |    | --    |
| 0067   | VTRS09142 |           | WASHER UNI 6593 12X36X2,5         | 2,00     |            |    | --    |
| 0068   | MLML00324 |           | SPRING -                          | 2,00     |            |    | --    |
| 0069   | VTRS13946 |           | WASHER D. 8 X24 INX UNI 6593      | 2,00     |            |    | --    |
| 0070   | VTRS00250 |           | WASHER D.14                       | 2,00     |            |    | --    |
| 0071   | VTVT00300 |           | SCREW TSPEI M8x70 UNI5933         | 2,00     |            |    | --    |
| 0072   | VTDD15521 |           | NUT M 8 INX A2 UNI 5588           | 2,00     |            |    | --    |
| 0073   | VTVT00410 |           | SCREW TE M8x35 UNI5739 INOX       | 1,00     |            |    | --    |
| 0074   | LAFN47168 |           | BELT-STRETCHER ALTERNATORE TK1400 | 2,00     |            |    | --    |
| 0075   | VTRS13947 |           | WASHER D. 8 INX UNI 6592          | 4,00     |            |    | --    |
| 0076   | MLML00168 |           | SPRING 8,2/15,8-0,25 LISCIA       | 8,00     |            |    | --    |
| 0077   | VTRS00274 |           | WASHER NYLON 66 D.8,4-17-2 UNI    | 4,00     |            |    | --    |
| 0078   | VTRS13945 |           | WASHER D. 6X18 INX UNI 6593       | 4,00     |            |    | --    |
| 0079   | VTRS13945 |           | WASHER D. 6X18 INX UNI 6593       | 2,00     |            |    | --    |
| 0080   | MPVR06440 |           | COVER -                           | 2,00     |            |    | --    |
| 0081   | VTVT00428 |           | SCREW TCEI 6X20 UNI5931 INX       | 2,00     |            |    | --    |
| 0082   | MPVR06441 |           | COVER -                           | 2,00     |            |    | --    |
| 0083   | MECB01373 |           | EXTENSION                         | 1,00     | 19/02/2015 |    | --    |
| 0084   | TBFX48011 |           | HOSE FLEX D.12X3 ARMORV.PVC TR    | 0,60     |            |    | --    |



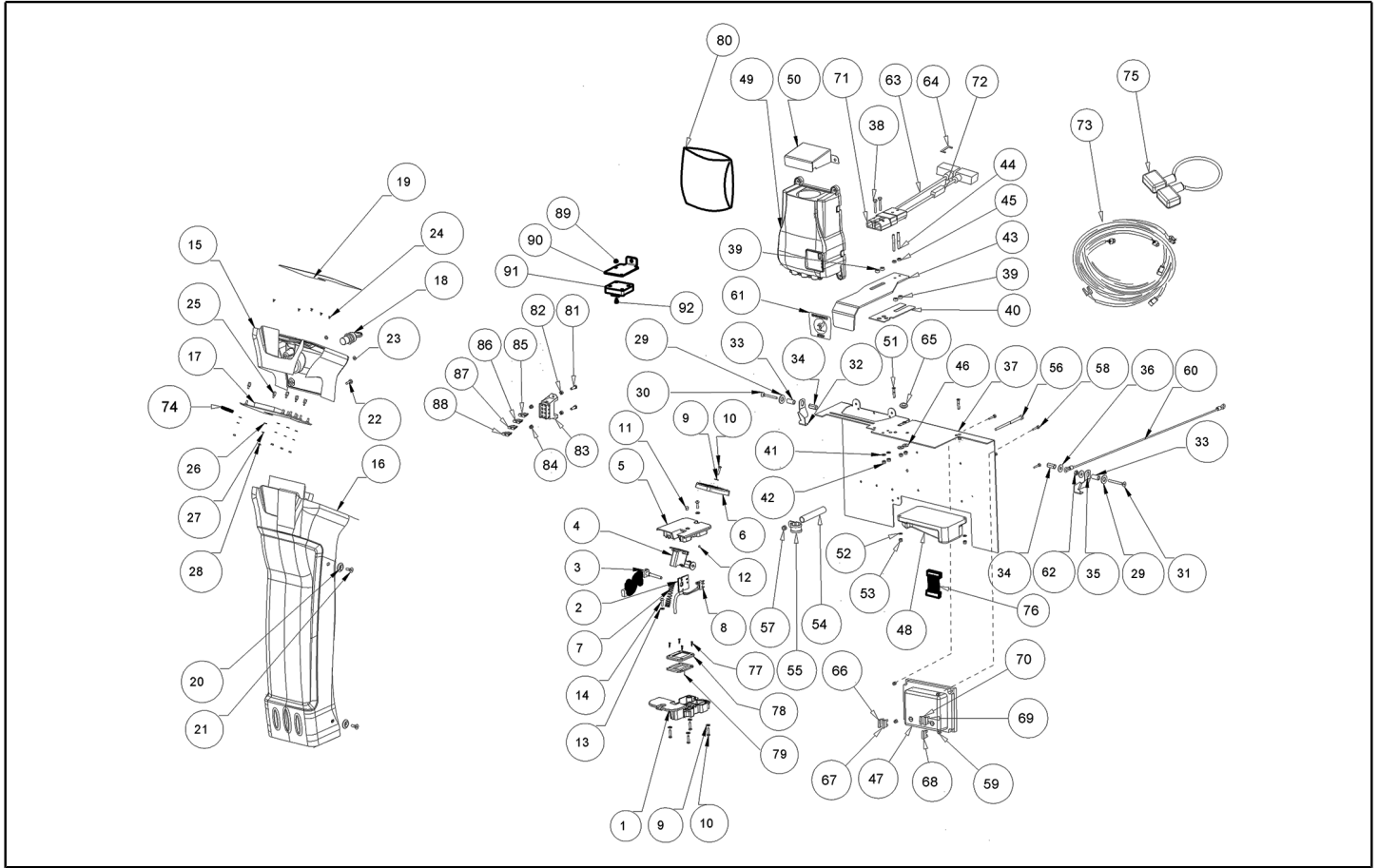
| Ref. K | Part n. | Part n. 2 | Description                             | Quantity | Validity   |            | Price |
|--------|---------|-----------|-----------------------------------------|----------|------------|------------|-------|
|        |         |           |                                         |          | From       | To         |       |
| 0001   | S       | MPVR07120 | BASE -                                  | 1,00     |            | 30/09/2019 | --    |
| 0001   |         | MPVR11937 | BASE CT80 ACCELERATOR                   | 1,00     | 01/10/2019 |            | --    |
| 0002   | S       | MPVR07122 | PLATE -                                 | 1,00     |            |            | --    |
| 0003   | S       | MEVR01755 | POTENTIOMETER PEDAL CT80                | 1,00     |            |            | --    |
| 0004   | S       | MPVR07121 | SUPPORT -                               | 1,00     |            | 30/09/2019 | --    |
| 0004   |         | MPVR11940 | SUPPORT CT80 ACCELERATOR                | 1,00     | 01/10/2019 |            | --    |
| 0005   | S       | MPVR07119 | COVER -                                 | 1,00     |            | 30/09/2019 | --    |
| 0005   |         | MPVR11938 | COVER CT80 ACCELERATOR                  | 1,00     | 01/10/2019 |            | --    |
| 0006   | S       | MPVR07126 | COVER -                                 | 1,00     |            | 30/09/2019 | --    |
| 0006   |         | MPVR11939 | PEDAL CT80 ACCELERATOR                  | 1,00     | 01/10/2019 |            | --    |
| 0007   |         | MLML00339 | SPRING -                                | 1,00     |            | 25/01/2017 | --    |
| 0007   | S       | MLML00476 | SPRING -                                | 1,00     | 26/01/2017 |            | --    |
| 0008   | S       | MECI00414 | MICROSWITCH PEDAL CT80                  | 1,00     |            |            | --    |
| 0009   |         | VTRS00516 | WASHER D. 5 INX                         | 4,00     |            |            | --    |
| 0010   |         | VTVT48694 | SCREW TCB TC 5 X12 UNI 9707 TZ          | 4,00     |            |            | --    |
| 0011   |         | RCVR00163 | CAP D.6                                 | 1,00     |            |            | --    |
| 0012   |         | VTVT01703 | GRUB SCREW M4X8                         | 1,00     |            |            | --    |
| 0013   |         | VTRS00516 | WASHER D. 5 INX                         | 1,00     |            |            | --    |
| 0014   |         | VTVT45339 | SCREW TBCE ISO 7380 5X16 ZB             | 1,00     |            |            | --    |
| 0015   |         | MPVR07124 | INSTR.PANEL -                           | 1,00     |            |            | --    |
| 0016   |         | MPVR07123 | SIDE PANEL PANEL CT80 GREEN             | 1,00     |            |            | --    |
| 0017   |         | MECE00589 | BOARD DISPLAY CT80                      | 1,00     |            |            | --    |
| 0018   |         | MECI75805 | SWITCH KEY FOR BATTERY MACHINES         | 1,00     |            |            | --    |
| 0019   |         | ETET01797 | LABEL -                                 | 1,00     |            |            | --    |
| 0020   |         | VTVR41809 | UND.SCREW FLAN. D. 6,5-22 H4,5 NYL.NERO | 4,00     |            |            | --    |
| 0021   |         | VTVT00832 | SCREW TSPEI M6X16 INOX                  | 4,00     |            |            | --    |
| 0022   |         | VTVT00787 | SCREW TBEI M 6-16                       | 2,00     |            |            | --    |
| 0023   |         | VTRS13750 | WASHER D. 5X14 INX                      | 2,00     |            |            | --    |
| 0024   |         | VTVT01377 | SCREW TSP-TC M 3X5 UNI7688 INX          | 5,00     |            |            | --    |
| 0025   |         | VTVR00576 | SPACER M3                               | 5,00     |            |            | --    |
| 0026   |         | VTRS00268 | WASHER D.3                              | 5,00     |            | 09/11/2016 | --    |
| 0027   |         | VTRS21116 | WASHER D. 3 INX                         | 5,00     |            |            | --    |
| 0028   |         | VTDD21115 | NUT M 3 INOX                            | 5,00     |            | 09/11/2016 | --    |
| 0028   |         | VTDD00210 | NUT M 3 AUTOBL.DIN 985 IX.A2            | 5,00     | 10/11/2016 |            | --    |
| 0029   |         | VTRS15523 | WASHER D.10 X21 INOX UNI 6592           | 2,00     |            |            | --    |
| 0030   |         | VTVT26818 | SCREW M6x45 TSPEI UNI5933               | 1,00     |            |            | --    |
| 0031   |         | VTVT30247 | SCREW TSPEI M 6X 50 UNI 5933            | 1,00     |            |            | --    |
| 0032   |         | LAFN09398 | BRACKET -                               | 1,00     |            |            | --    |
| 0033   |         | MPVR07165 | SPACER -                                | 2,00     |            |            | --    |
| 0034   |         | VTVR00556 | RIVET -                                 | 2,00     |            |            | --    |
| 0035   |         | LAFN09399 | BRACKET -                               | 1,00     |            |            | --    |
| 0036   |         | VTRS00245 | WASHER D.6 UNI 6592 INOX                | 3,00     |            |            | --    |
| 0037   |         | LAFN09322 | SUPPORT ELECTRONICS+CHARGER             | 1,00     |            |            | --    |
| 0038   |         | VTVT00423 | SCREW TE M 5X 30 UNI 5739               | 2,00     |            |            | --    |



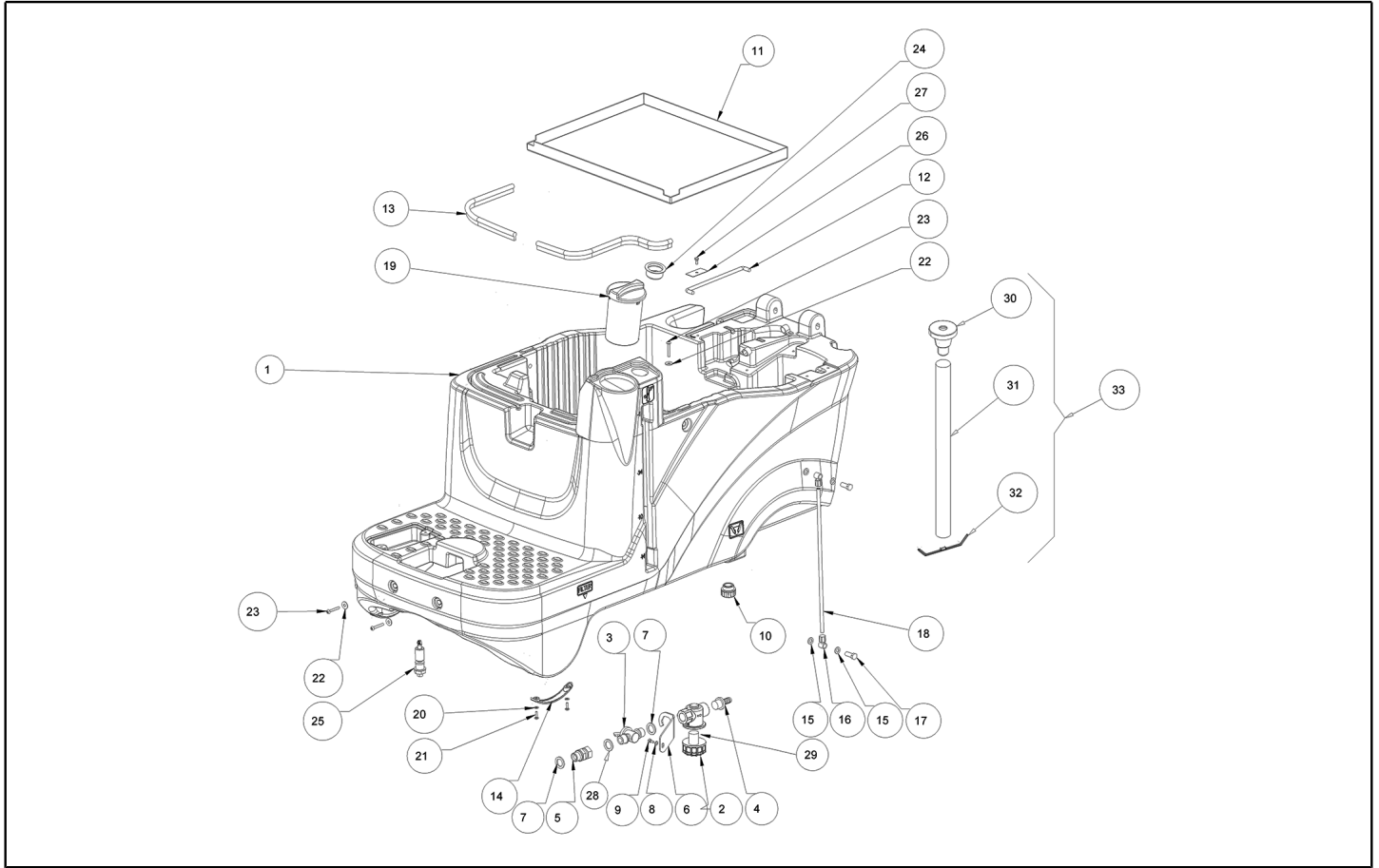
| Ref. K | Part n.     | Part n. 2 | Description                           | Quantity | Validity   |            | Price |
|--------|-------------|-----------|---------------------------------------|----------|------------|------------|-------|
|        |             |           |                                       |          | From       | To         |       |
| 0039   | MPVR07164   |           | SPACER -                              | 4,00     |            |            | --    |
| 0040   | MPVR07141   |           | PLATE -                               | 1,00     |            |            | --    |
| 0041   | VTRS00516   |           | WASHER D. 5 INX                       | 2,00     |            |            | --    |
| 0042   | VTDD01693   |           | NUT M 5 INX                           | 2,00     |            |            | --    |
| 0043   | LAFN09321   |           | LEVER -                               | 1,00     |            |            | --    |
| 0044   | LAFN09350   |           | PIN -                                 | 2,00     |            |            | --    |
| 0045   | VTDD07727   |           | NUT M 5 INOX                          | 2,00     |            |            | --    |
| 0046   | VTRS13750   |           | WASHER D. 5X14 INX                    | 2,00     |            |            | --    |
| 0047   | S MECE00588 |           | BOARD POWER SERVICE CT80              | 1,00     |            | 28/01/2016 | --    |
| 0047   | MECE00738   |           | BOARD POWER SERVICE CT80              | 1,00     | 29/01/2016 |            | --    |
| 0048   | MECE00607   |           | BOARD TRACTION CURTIS CT80            | 1,00     |            | 09/12/2021 | --    |
| 0048   | MECE00907   |           | BOARD CURTIS 1212S                    | 1,00     | 10/12/2021 |            | --    |
| 0049   | BACA00181   |           | BATTERY-CHARGER CBHD3 OB CT80 24V 25A | 1,00     |            |            | --    |
| 0050   | LAFN09325   |           | DISTRIBUTOR 60                        | 1,00     |            |            | --    |
| 0051   | VTVT00861   |           | SCREW TSPEI 4X25                      | 2,00     |            |            | --    |
| 0052   | VTRS00515   |           | WASHER D. 4 INX                       | 2,00     |            |            | --    |
| 0053   | VTDD00055   |           | NUT M 4 ATB A2                        | 2,00     |            |            | --    |
| 0054   | LAFN09323   |           | HOSE -                                | 1,00     |            |            | --    |
| 0055   | MEVR02096   |           | FAIR-LEAD D.22 F.8,5 Inox430.         | 1,00     |            |            | --    |
| 0056   | VTVT00414   |           | SCREW TE M6x100 UNI5739               | 1,00     |            |            | --    |
| 0057   | VTDD01694   |           | NUT M6 INOX                           | 1,00     |            |            | --    |
| 0058   | VTVT00704   |           | SCREW TE M 4X 16 UNI5739 INOX         | 4,00     |            |            | --    |
| 0059   | VTDD15925   |           | NUT M 4 INX+ZN                        | 4,00     |            |            | --    |
| 0060   | CMCV00469   |           | CABLE CT80                            | 1,00     |            | 08/06/2016 | --    |
| 0060   | CMCV00471   |           | CABLE CT80                            | 1,00     | 09/06/2016 |            | --    |
| 0061   | ETET01825   |           | LABEL -                               | 1,00     |            |            | --    |
| 0062   | VTDD00053   |           | NUT M6 INOX UNI5589                   | 1,00     |            |            | --    |
| 0063   | KTRIO2290   |           | CABLE BATTERY-ANDERSON+FUS.CT80       | 1,00     |            |            | --    |
| 0064   | MEVR32087   |           | FUSE 100A NST.                        | 1,00     |            |            | --    |
| 0065   | MEVR00686   |           | FAIR-LEAD DIAMETER 15.5               | 1,00     | 20/02/2015 |            | --    |
| 0066   | MEVR01136   |           | FUSE 30A                              | 1,00     |            | 28/01/2016 | --    |
| 0066   | MEVR00644   |           | FUSE MAXIVAL 30A                      | 1,00     | 29/01/2016 |            | --    |
| 0067   | MEVR01136   |           | FUSE 30A                              | 1,00     |            | 28/01/2016 | --    |
| 0067   | MEVR00644   |           | FUSE MAXIVAL 30A                      | 1,00     | 29/01/2016 |            | --    |
| 0068   | MEVR01136   |           | FUSE 30A                              | 1,00     |            | 28/01/2016 | --    |
| 0068   | MEVR00644   |           | FUSE MAXIVAL 30A                      | 1,00     | 29/01/2016 |            | --    |
| 0069   | MEVR01132   |           | FUSE A LAMA 5 A.                      | 1,00     |            |            | --    |
| 0070   | MEVR01132   |           | FUSE A LAMA 5 A.                      | 1,00     |            |            | --    |
| 0071   | MEVR01621   |           | PLUG ANDERSON SB120 RED               | 1,00     |            |            | --    |
| 0072   | MEVR31036   |           | FUSE-HOLDER                           | 1,00     |            |            | --    |
| 0073   | MECB01393   |           | WIRING CT80 APC                       | 1,00     |            | 18/01/2021 | --    |
| 0073   | MECB02210   |           | WIRING .                              | 1,00     | 19/01/2021 | 09/12/2021 | --    |
| 0073   | MECB02306   |           | WIRING .                              | 1,00     | 10/12/2021 |            | --    |
| 0074   | MEVR02097   |           | SD-CARD -                             | 1,00     |            |            | --    |



| Ref. K | Part n.   | Part n. 2 | Description                      | Quantity | Validity   |            | Price |
|--------|-----------|-----------|----------------------------------|----------|------------|------------|-------|
|        |           |           |                                  |          | From       | To         |       |
| 0075   | MEVR34820 |           | WIRING BATTERY BRIDGE W/TERMINAL | 3,00     |            |            | --    |
| 0076   | MECB01362 |           | WIRING INTERFACE CURTIS BOARD    | 1,00     |            |            | --    |
| 0077   | VTVT01594 |           | SCREW VITE TSPC 3x12             | 4,00     | 01/10/2019 |            | --    |
| 0078   | MPVR11928 |           | GASKET BRAKE PEDAL CT80          | 1,00     | 01/10/2019 |            | --    |
| 0079   | MPVR11933 |           | GASKET CT80 ACCELERATOR          | 1,00     | 01/10/2019 |            | --    |
| 0080   | MPVR02838 |           | BAG CHARGER POWER CORD           | 1,00     |            |            | --    |
| 0081   | VTVT07725 |           | SCREW TE 5X16 UNI5739 INX        | 2,00     | 19/01/2021 | 09/12/2021 | --    |
| 0082   | VTDD07727 |           | NUT M 5 INOX                     | 2,00     | 19/01/2021 | 09/12/2021 | --    |
| 0083   | MEVR02666 |           | FUSE CARRIER DIN                 | 1,00     | 19/01/2021 | 09/12/2021 | --    |
| 0084   | VTDD01693 |           | NUT M 5 INX                      | 2,00     | 19/01/2021 | 09/12/2021 | --    |
| 0085   | MEVR01132 |           | FUSE A LAMA 5 A.                 | 1,00     | 19/01/2021 | 09/12/2021 | --    |
| 0086   | MEVR01132 |           | FUSE A LAMA 5 A.                 | 1,00     | 19/01/2021 | 09/12/2021 | --    |
| 0087   | MEVR00584 |           | FUSE 3A                          | 1,00     | 19/01/2021 | 09/12/2021 | --    |
| 0088   | MEVR00584 |           | FUSE 3A                          | 1,00     | 19/01/2021 | 09/12/2021 | --    |
| 0089   | VTDD00055 |           | NUT M 4 ATB A2                   | 2,00     | 10/12/2021 |            | --    |
| 0090   | LAFN11766 |           | SUPPORT .                        | 1,00     | 10/12/2021 |            | --    |
| 0091   | MECE00904 |           | BOARD RELE'                      | 1,00     | 10/12/2021 |            | --    |
| 0092   | VTVT01556 |           | SCREW TCEI M4X16 UNI5931 A2      | 2,00     | 10/12/2021 |            | --    |

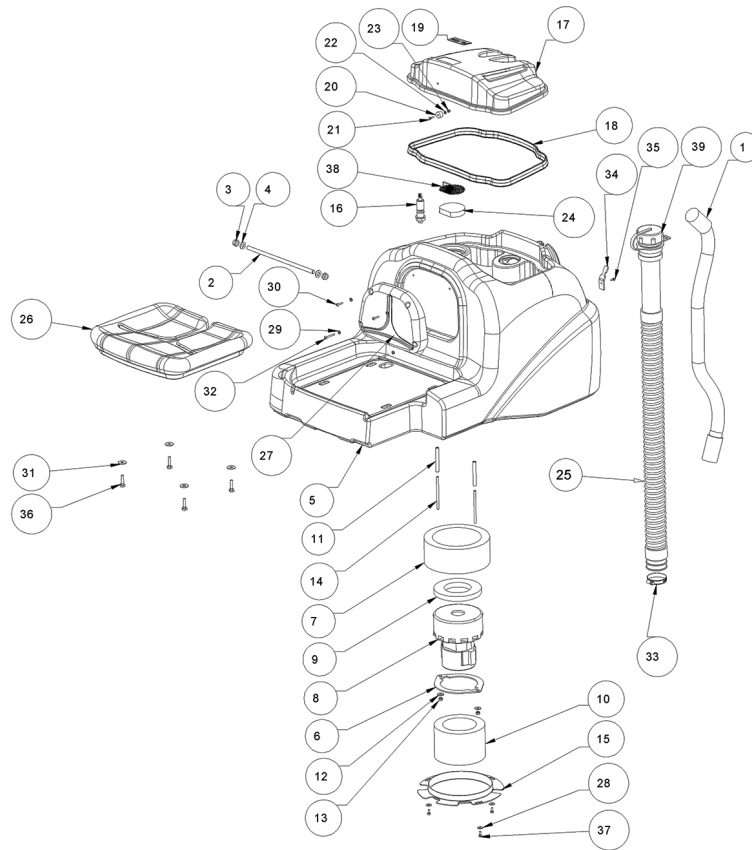


| Ref. Part n. | Part n. 2 | Description               | Reference                               | Price |
|--------------|-----------|---------------------------|-----------------------------------------|-------|
| KTRI02313    |           | KIT POWER BOARD CT80      | 0047                                    | --    |
| PMVR01531    |           | ACCELERATOR COMPLETE CT80 | 0001 0002 0003 0004 0005 0006 0007 0008 | --    |

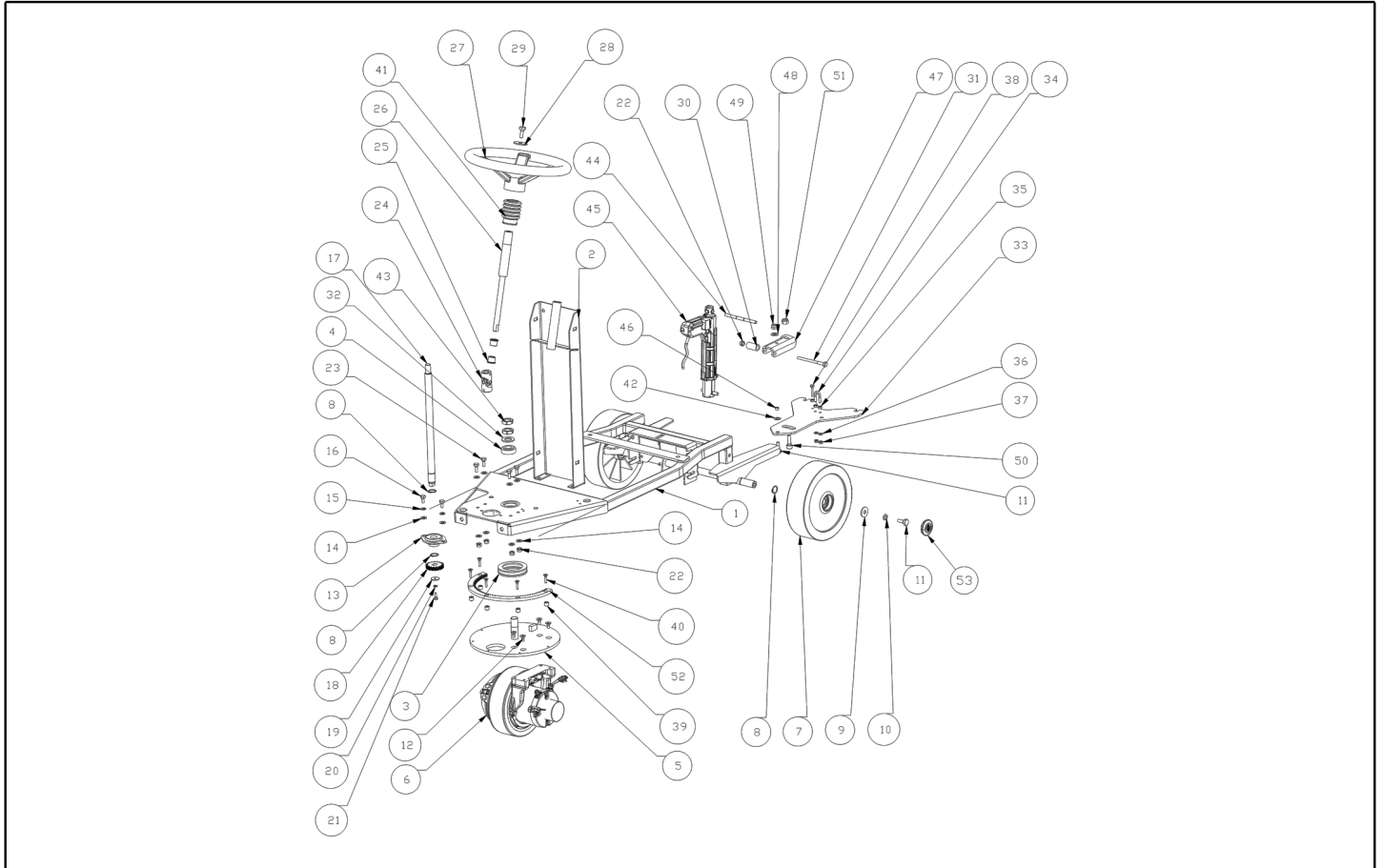


| Ref. K | Part n.   | Part n. 2 | Description                     | Quantity | Validity   |            | Price |
|--------|-----------|-----------|---------------------------------|----------|------------|------------|-------|
|        |           |           |                                 |          | From       | To         |       |
| 0001   | MPVR07117 |           | TANK SOLUTION CT80 GRAY         | 1,00     |            |            | --    |
| 0002   | FTAC00045 |           | FILTER SOLUTION CT80 COMPLETE   | 1,00     |            |            | --    |
| 0003   | RCGR00078 |           | VALVE TAP SOLUTION TANK         | 1,00     |            |            | --    |
| 0004   | RCVR00514 |           | CONNECTOR 1/2 M RESCA 15        | 1,00     |            |            | --    |
| 0005   | RCVR00594 |           | CONNECTOR 1/2" M/F              | 1,00     |            |            | --    |
| 0006   | LAFN09393 |           | BRACKET FILTER SUPPORT CT80     | 1,00     |            |            | --    |
| 0007   | VTRS00567 |           | WASHER 1/2                      | 2,00     |            |            | --    |
| 0008   | VTRS13750 |           | WASHER D. 5X14 INX              | 1,00     |            |            | --    |
| 0009   | VTVT01300 |           | SCREW TE M5X12 INOX             | 1,00     |            |            | --    |
| 0010   | MPVR07073 |           | CAP SOLUTION TANK CT110         | 1,00     |            | 25/10/2016 | --    |
| 0010   | MPVR10773 |           | CAP 3/4"                        | 1,00     | 26/10/2016 |            | --    |
| 0011   | MPVR07131 |           | CONTAINER BATTERY CT80          | 1,00     |            |            | --    |
| 0012   | LAFN09401 |           | PIN SAFETY REC.TANK CT80        | 1,00     |            |            | --    |
| 0013   | GUVR00288 |           | GASKET N052 S1007               | 0,80     |            |            | --    |
| 0014   | MPVR06102 |           | PROTECTION SOLUTION TANK        | 2,00     |            |            | --    |
| 0015   | GUGO40012 |           | GASKET D. 9- 16 X 2 VITON       | 4,00     |            | 11/02/2015 | --    |
| 0015   | GUGO00461 |           | GASKET NBR                      | 4,00     | 12/02/2015 |            | --    |
| 0016   | RCVR40127 |           | CONNECTOR 1/8" D. 6/ 8 NIK      | 2,00     |            |            | --    |
| 0017   | RCVR40079 |           | SCREW G 1/8 L= 28               | 2,00     |            |            | --    |
| 0018   | TBBP15347 |           | L.P. HOSE D. 6- 8 RILSAN NT.    | 0,37     |            |            | --    |
| 0019   | MPVR07127 |           | CAP SOLUTION DOSER              | 1,00     |            | 04/05/2017 | --    |
| 0019   | MPVR11497 |           | CAP SOLUTION TANK               | 1,00     | 05/05/2017 |            | --    |
| 0020   | VTRS00516 |           | WASHER D. 5 INX                 | 4,00     |            |            | --    |
| 0021   | VTVT00805 |           | SCREW TBEI M. 5-10              | 4,00     |            |            | --    |
| 0022   | VTRS13946 |           | WASHER D. 8 X24 INX UNI 6593    | 2,00     |            |            | --    |
| 0023   | VTVT00410 |           | SCREW TE M8x35 UNI5739 INOX     | 2,00     |            |            | --    |
| 0024   | MPVR06399 |           | CAP -                           | 1,00     |            |            | --    |
| 0025   | MECI00533 |           | SENSOR VS303-51N                | 1,00     |            |            | --    |
| 0026   | LAFN09408 |           | FLANGE FOR SAFETY PIN           | 1,00     |            |            | --    |
| 0027   | VTVT01300 |           | SCREW TE M5X12 INOX             | 1,00     |            | 16/05/2018 | --    |
| 0027   | VTVT01317 |           | SCREW M 5X 12 TSPEI UNI 5933    | 1,00     | 17/05/2018 |            | --    |
| 0028   | GUGO01054 |           | O-RING D. 15.08 X 2.62 NBR 70SH | 1,00     | 30/01/2015 |            | --    |
| 0029   | LAFN11037 |           | MESH FOR FILTER FTAC00045       | 1,00     |            |            | --    |
| 0030   | MPVR06404 |           | JOINT -                         | 1,00     |            |            | --    |
| 0031   | TBFX00375 |           | TUBE -                          | 0,90     |            |            | --    |
| 0032   | MPVR08038 |           | PLATE CT15-30                   | 1,00     |            |            | --    |
| 0033   | KTRI02248 |           | KIT .                           | 1,00     |            |            | --    |

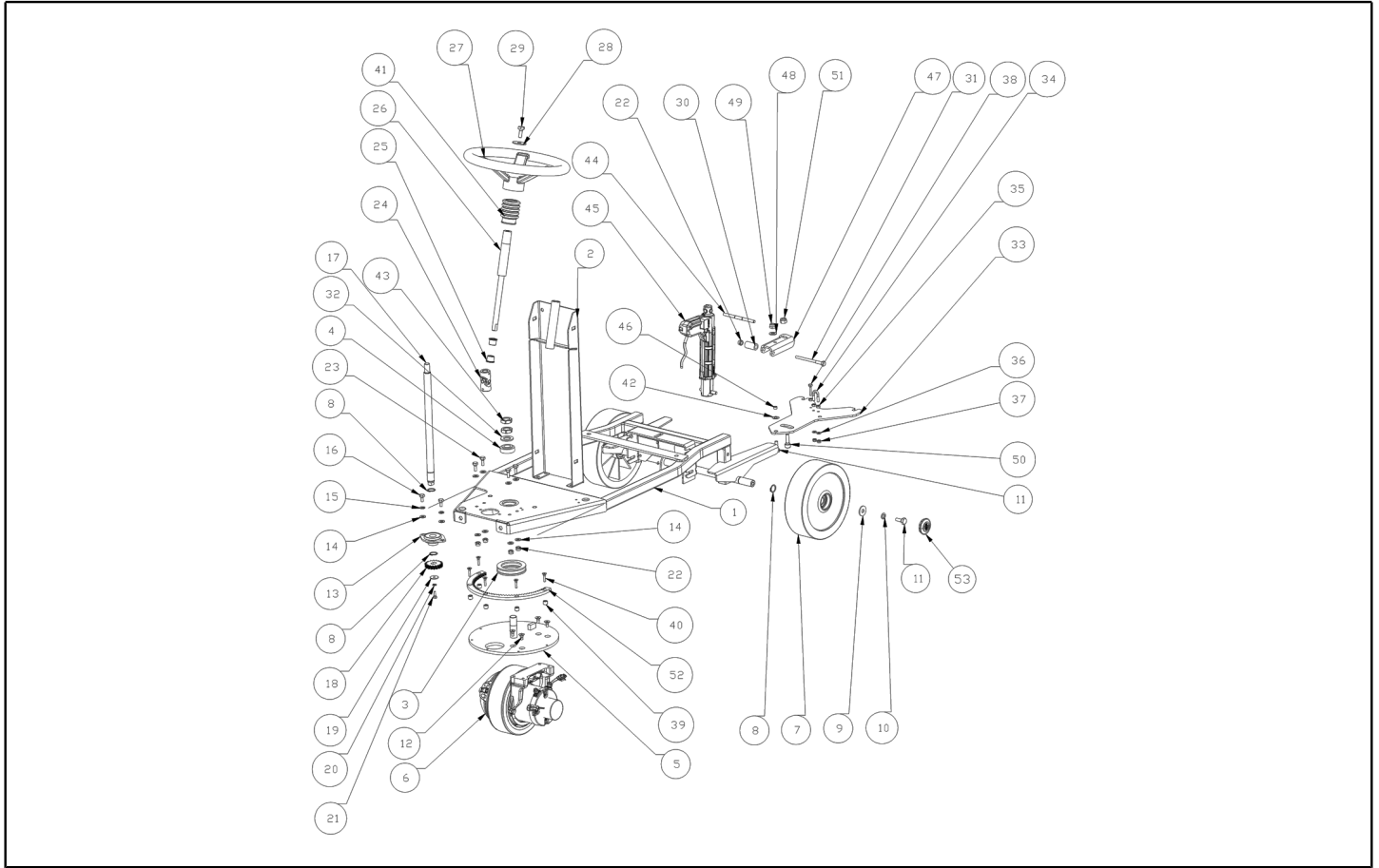




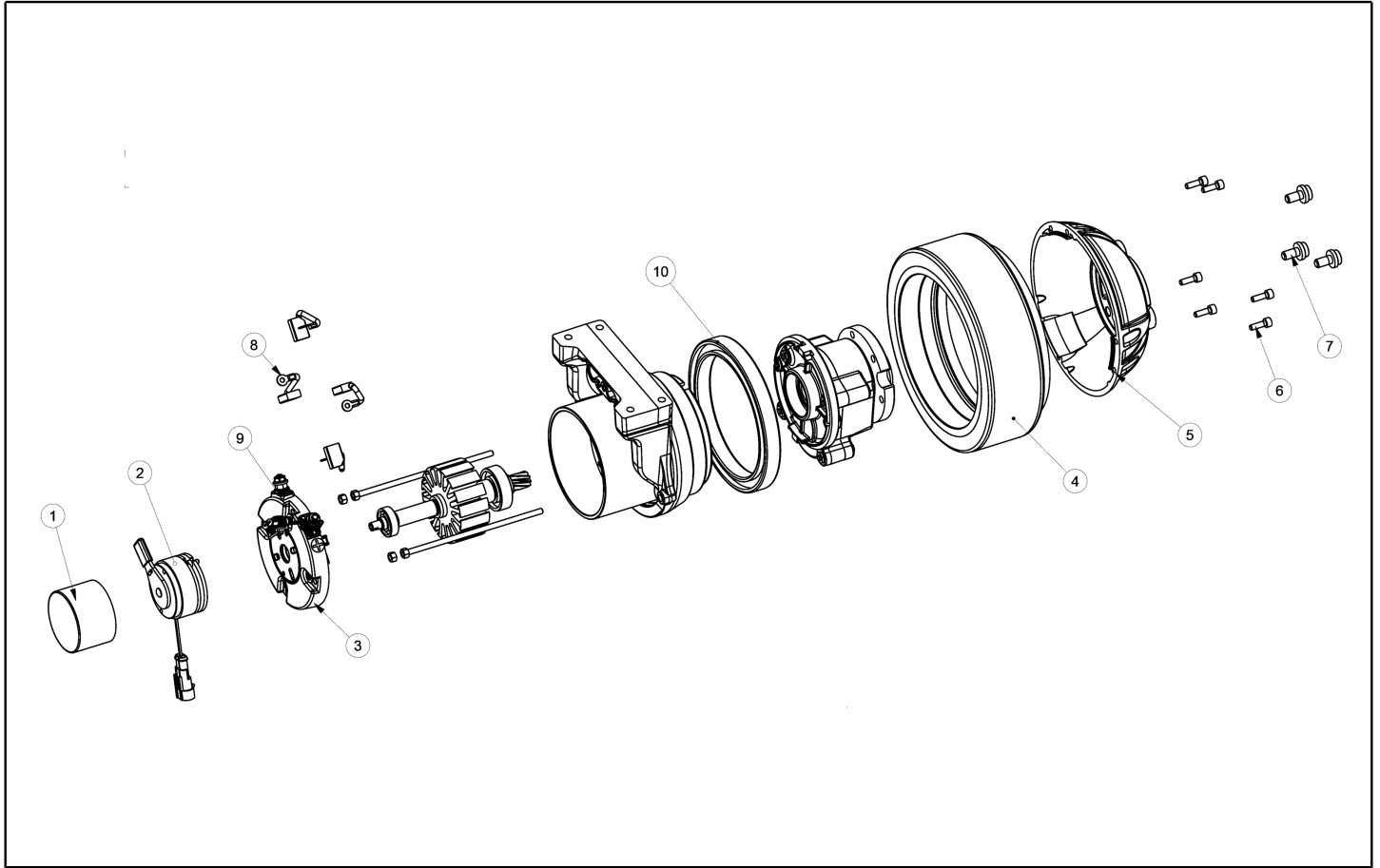
| Ref. K | Part n.   | Part n. 2 | Description                    | Quantity | Validity   |            | Price |
|--------|-----------|-----------|--------------------------------|----------|------------|------------|-------|
|        |           |           |                                |          | From       | To         |       |
| 0001   | KTRI04702 |           | KIT REPLACEMENT TBBP00512      | 1,00     |            |            | --    |
| 0002   | LAFN09389 |           | PIN -                          | 1,00     |            |            | --    |
| 0003   | VTDD10310 |           | NUT AUTOBL.M10 INOX DIN 985    | 2,00     |            |            | --    |
| 0004   | VTRS15523 |           | WASHER D.10 X21 INOX UNI 6592  | 2,00     |            |            | --    |
| 0005   | MPVR07116 |           | TANK RECOVERY CT80 GREEN       | 1,00     |            |            | --    |
| 0006   | LAFN09352 |           | FLANGE -                       | 1,00     |            |            | --    |
| 0007   | ITSO00073 |           | INSULATOR -                    | 1,00     |            |            | --    |
| 0008   | MOCC00273 |           | MOTOR VACUUM 3ST 24V           | 1,00     |            |            | --    |
| 0009   | GUGO00272 |           | GASKET VACUUM MOTOR CT         | 1,00     |            |            | --    |
| 0010   | ITSO00072 |           | INSULATOR -                    | 1,00     |            |            | --    |
| 0011   | LAFN51077 |           | SPACER PH                      | 2,00     |            |            | --    |
| 0012   | VTRS13945 |           | WASHER D. 6X18 INX UNI 6593    | 2,00     |            |            | --    |
| 0013   | VTDD01694 |           | NUT M6 INOX                    | 2,00     |            |            | --    |
| 0014   | VTVT00785 |           | ROD FILETTO                    | 2,00     |            |            | --    |
| 0015   | MPVR07125 |           | COVER -                        | 1,00     |            |            | --    |
| 0016   | MECI00533 |           | SENSOR VS303-51N               | 1,00     |            |            | --    |
| 0017   | MPVR07118 |           | COVER -                        | 1,00     |            |            | --    |
| 0018   | GUGO00322 |           | GASKET CT80 TANK LID           | 1,00     |            |            | --    |
| 0019   | ETET01824 |           | LABEL -                        | 1,00     |            |            | --    |
| 0020   | MPVR06400 |           | CAP -                          | 1,00     |            |            | --    |
| 0021   | VTVT00056 |           | SCREW TSCE 4X12 ACCIAIO INOX   | 1,00     |            |            | --    |
| 0022   | VTRS00515 |           | WASHER D. 4 INX                | 1,00     |            |            | --    |
| 0023   | VTDD00055 |           | NUT M 4 ATB A2                 | 1,00     |            |            | --    |
| 0024   | FTDP00232 |           | FILTER VACUUM MOT. CT80        | 1,00     |            |            | --    |
| 0025   | TBBP00513 |           | HOSE DRAIN RECOVERY TANK CT80  | 1,00     |            |            | --    |
| 0026   | SESD86493 |           | DISTRIBUTOR 60                 | 1,00     |            | 17/07/2018 | --    |
| 0026   | SESD86494 |           | SEAT SENSOR REED CT80          | 1,00     | 18/07/2018 |            | --    |
| 0027   | MPVR07132 |           | BACKREST CT80                  | 1,00     |            |            | --    |
| 0028   | VTRS13750 |           | WASHER D. 5X14 INX             | 3,00     |            |            | --    |
| 0029   | VTRS00516 |           | WASHER D. 5 INX                | 4,00     |            |            | --    |
| 0030   | VTVT00852 |           | SCREW TBEI M 5X 20 ISO 7380 IX | 2,00     |            |            | --    |
| 0031   | VTRS13946 |           | WASHER D. 8 X24 INX UNI 6593   | 4,00     |            |            | --    |
| 0032   | VTVT01207 |           | SCREW TBEI 5X35                | 2,00     |            |            | --    |
| 0033   | FSVR00033 |           | CLAMP 45-60                    | 1,00     |            |            | --    |
| 0034   | LAFN09400 |           | HOOK DRAIN HOSE CT80           | 1,00     |            |            | --    |
| 0035   | VTVT21096 |           | SCREW TE M 4X 10 INX           | 1,00     |            |            | --    |
| 0036   | VTVT13937 |           | SCREW TE M 8X 30 INX UNI 5739  | 4,00     |            |            | --    |
| 0037   | VTVT01300 |           | SCREW TE M5X12 INOX            | 3,00     |            |            | --    |
| 0038   | LAFN09353 |           | MESH -                         | 1,00     |            |            | --    |
| 0039   | KTRI01980 |           | KIT CAP DRAIN HOSE             | 1,00     |            |            | --    |



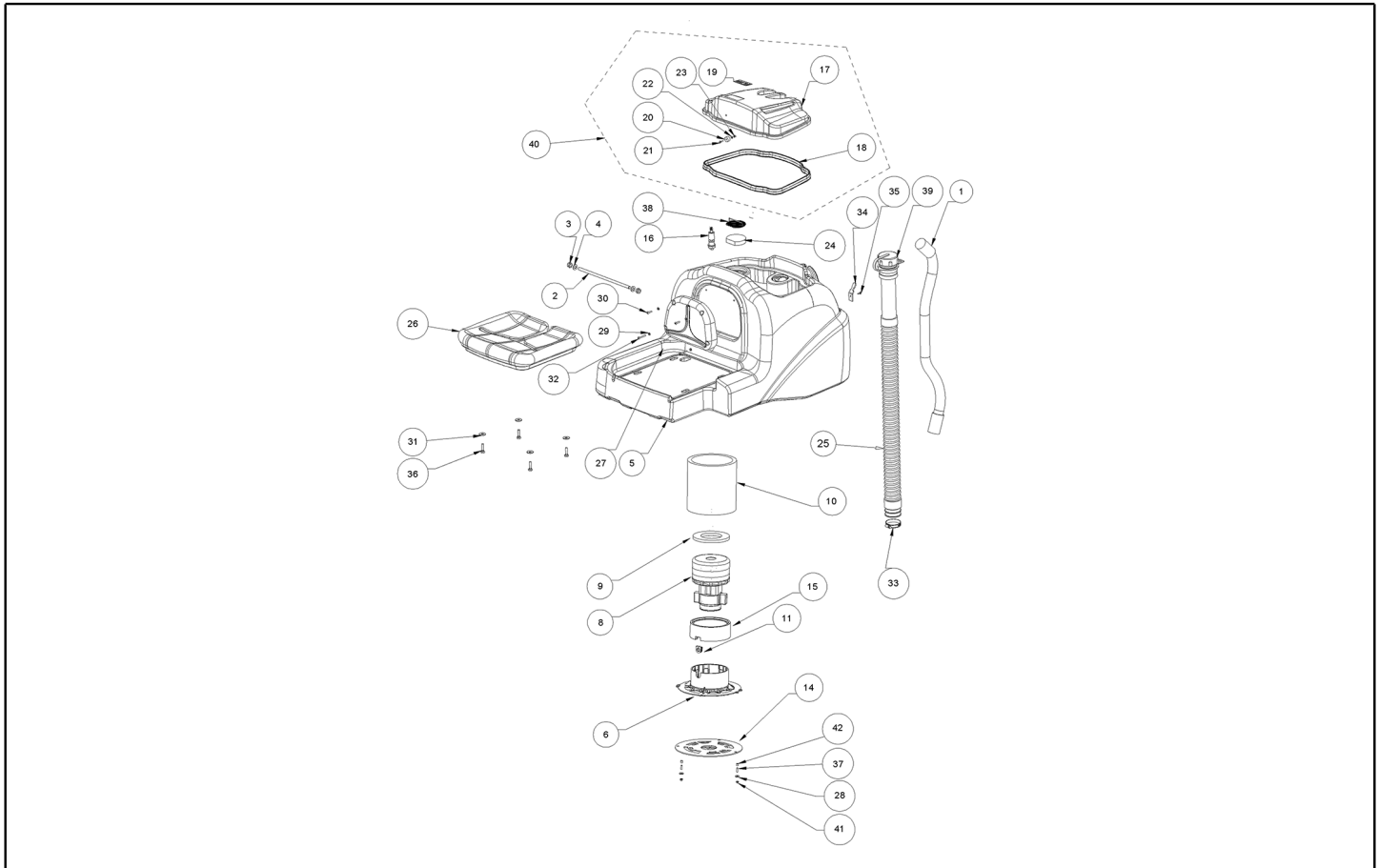
| Ref. K | Part n.   | Part n. 2 | Description                        | Quantity | Validity   |            | Price |
|--------|-----------|-----------|------------------------------------|----------|------------|------------|-------|
|        |           |           |                                    |          | From       | To         |       |
| 0001   | LAFN09292 |           | FRAME -                            | 1,00     |            |            | --    |
| 0002   | LAFN09373 |           | UP STEERING -                      | 1,00     |            | 13/04/2017 | --    |
| 0002   | LAFN11171 |           | UP STEERING CT80                   | 1,00     | 14/04/2017 |            | --    |
| 0003   | CUVR75816 |           | BEARING 51112                      | 1,00     |            |            | --    |
| 0004   | CUVR00094 |           | BEARING 32004 TIPO SKF             | 1,00     |            |            | --    |
| 0005   | LAFN09293 |           | PLATE -                            | 1,00     |            |            | --    |
| 0006   | MOCC00433 |           | MOTOR ELECTRICAL 24V 300W          | 1,00     |            |            | --    |
| 0007   | RTRT00547 |           | WHEEL D.225x65 PU                  | 2,00     |            |            | --    |
| 0008   | VTAE06193 |           | CIRCLIP D. 20 UNI 7435             | 2,00     |            |            | --    |
| 0009   | VTRS15524 |           | WASHER D.10                        | 2,00     |            |            | --    |
| 0010   | VTRS15909 |           | WASHER D.10                        | 2,00     |            |            | --    |
| 0011   | VTVT03640 |           | SCREW TE 10X25 UNI5740             | 2,00     |            |            | --    |
| 0012   | VTVT00790 |           | SCREW TSPEI M8X16                  | 4,00     |            |            | --    |
| 0013   | CUVR00105 |           | BEARING SB204KDF+PFL204PTN         | 1,00     |            |            | --    |
| 0014   | VTRS13947 |           | WASHER D. 8 INX UNI 6592           | 2,00     |            |            | --    |
| 0015   | VTRS15146 |           | WASHER GROVER A2 UNI1751           | 2,00     |            |            | --    |
| 0016   | VTVT15916 |           | SCREW TE M 8X 16 UNI 5739 A2       | 2,00     |            |            | --    |
| 0017   | LAFN09294 |           | SHAFT -                            | 1,00     |            |            | --    |
| 0018   | LAFN06377 |           | PINION STEERING                    | 1,00     |            |            | --    |
| 0019   | VTRS16937 |           | WASHER 6x24 INOX UNI 6593          | 1,00     |            |            | --    |
| 0020   | VTRS15144 |           | WASHER D. 6 INX GRW UNI 1751       | 1,00     |            |            | --    |
| 0021   | VTVT15143 |           | SCREW TE 6X16 UNI5739              | 1,00     |            |            | --    |
| 0022   | VTDD01695 |           | NUT M 8 INX                        | 4,00     |            |            | --    |
| 0023   | VTVT13938 |           | SCREW TE 8X20 UNI5739 INX          | 4,00     |            |            | --    |
| 0024   | VTVR00057 |           | ARTICULATION STEERING              | 1,00     |            |            | --    |
| 0025   | LAFN75841 |           | BUSHING CENTR.PIGNONE RUOTA ANT.   | 2,00     |            |            | --    |
| 0026   | ALTR00097 |           | SHAFT STEERING CT80                | 1,00     |            |            | --    |
| 0027   | MPVR47027 |           | STEERING WHEEL D.320 SENZA POMELLO | 1,00     |            |            | --    |
| 0028   | VTRS44254 |           | WASHER UNI 6593 10X40X2,5 ZB       | 1,00     |            |            | --    |
| 0029   | VTVT00455 |           | SCREW TE 10X20 UNI5739             | 1,00     |            |            | --    |
| 0030   | LAFN08158 |           | SPACER -                           | 1,00     |            |            | --    |
| 0031   | VTVT01677 |           | SCREW TE M 8X100                   | 1,00     |            |            | --    |
| 0032   | VTRS00019 |           | WASHER UNI 6592 FORO 20 INOX       | 1,00     |            |            | --    |
| 0033   | LAFN08156 |           | SHEET METAL PA. -                  | 1,00     |            |            | --    |
| 0034   | LAFN09231 |           | BRACKET M6X11X29                   | 1,00     |            |            | --    |
| 0035   | VTDD15520 |           | NUT M 6 A2 UNI 5588 INX            | 2,00     |            |            | --    |
| 0036   | VTRS00245 |           | WASHER D.6 UNI 6592 INOX           | 2,00     |            |            | --    |
| 0037   | VTDD01694 |           | NUT M6 INOX                        | 2,00     |            |            | --    |
| 0038   | VTVT13939 |           | SCREW TE 6X20 UNI5739 INX          | 1,00     |            |            | --    |
| 0039   | LAFN06844 |           | SPACER CORONA                      | 5,00     |            |            | --    |
| 0040   | VTVT25909 |           | SCREW M 6X 25 TSPEI UNI 5933       | 5,00     |            |            | --    |
| 0041   | MPVR51068 |           | PROTECTOR STEERING                 | 0,50     |            |            | --    |
| 0042   | MLML34767 |           | SPRING D.10.2 X20                  | 1,00     |            |            | --    |
| 0043   | VTDD00524 |           | NUT M20x1,5 UNI 5589               | 2,00     |            |            | --    |



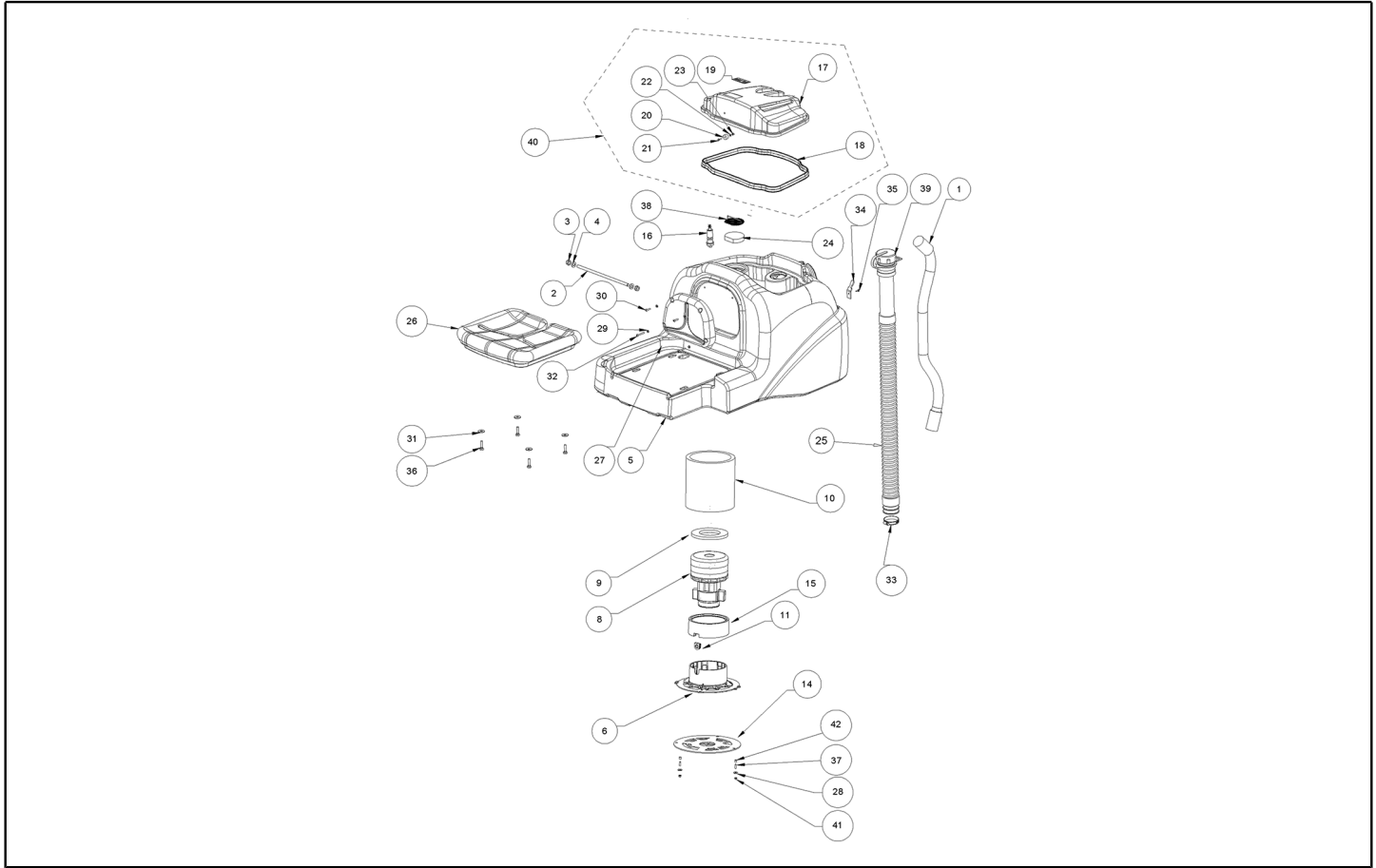
| Ref. K | Part n.   | Part n. 2 | Description              | Quantity | Validity   |            | Price |
|--------|-----------|-----------|--------------------------|----------|------------|------------|-------|
|        |           |           |                          |          | From       | To         |       |
| 0044   | LAFN09320 |           | PIN -                    | 1,00     |            |            | --    |
| 0045   | MOCC00424 |           | ACTUATOR SQUEEGEE CT80   | 1,00     |            |            | --    |
| 0046   | LAFN09407 |           | SPACER -                 | 1,00     |            |            | --    |
| 0047   | LAFN09406 |           | SUPPORT SQUEEGEE CT80    | 1,00     |            | 21/09/2015 | --    |
| 0047   | LAFN08233 |           | SUPPORT CT80             | 1,00     | 22/09/2015 |            | --    |
| 0048   | VTRS13947 |           | WASHER D. 8 INX UNI 6592 | 1,00     |            |            | --    |
| 0049   | VTDD01695 |           | NUT M 8 INX              | 1,00     |            |            | --    |
| 0050   | VTVT00307 |           | SCREW TCEI M10X30        | 1,00     |            |            | --    |
| 0051   | VTDD15519 |           | NUT M10 INOX             | 1,00     |            |            | --    |
| 0052   | LAFN09409 |           | RING GEAR STEERING       | 1,00     |            |            | --    |
| 0053   | MPVR05951 |           | CAP G48 FOR WHEEL        | 2,00     |            |            | --    |



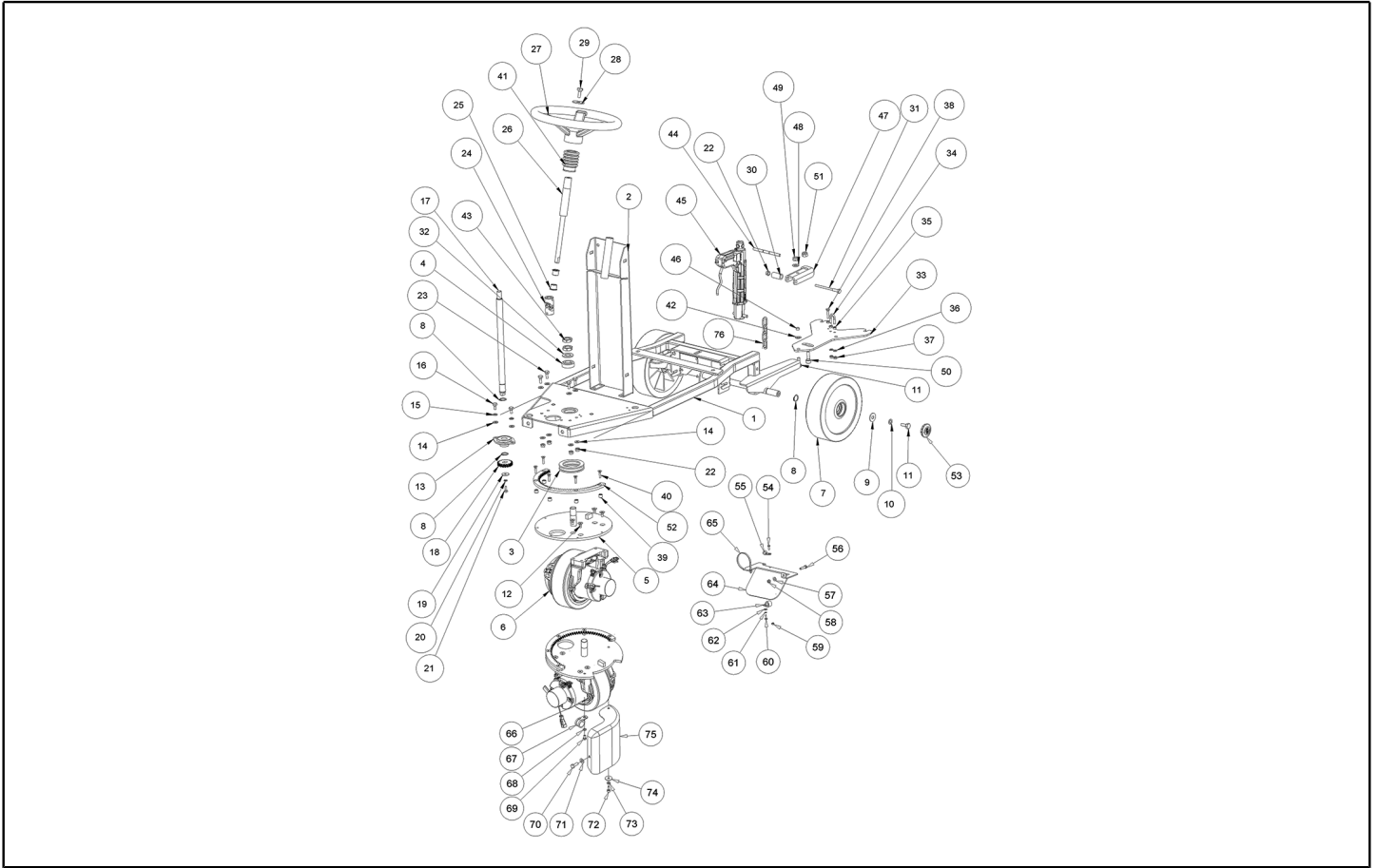
| Ref. K | Part n.   | Part n. 2 | Description                      | Quantity | Validity |    | Price |
|--------|-----------|-----------|----------------------------------|----------|----------|----|-------|
|        |           |           |                                  |          | From     | To |       |
| 0001   | MPVR06463 |           | COVER ELECTROBRAKE CT80          | 1,00     |          |    | --    |
| 0002   | MEVR01757 |           | BRAKE TRACTION MOTORWHEEL CT80   | 1,00     |          |    | --    |
| 0003   | KTRI02294 |           | KIT CARBONS SUPPORT CT80         | 1,00     |          |    | --    |
| 0004   | RTRT00552 |           | WHEEL PU FOR TRACTION CT80       | 1,00     |          |    | --    |
| 0005   | MPVR06464 |           | COVER MOTORWHEEL CT80            | 1,00     |          |    | --    |
| 0006   | VTVT01552 |           | SCREW .                          | 6,00     |          |    | --    |
| 0007   | VTVT01551 |           | SCREW .                          | 3,00     |          |    | --    |
| 0008   | MEVR34441 |           | BRUSH CARBON CC7X14X19 200/400W  | 4,00     |          |    | --    |
| 0009   | MEVR02387 |           | SENSOR THERMAL MOCC00433         | 1,00     |          |    | --    |
| 0010   | CUVR00220 |           | BEARING TRACTION MOTORWHEEL CT80 | 1,00     |          |    | --    |



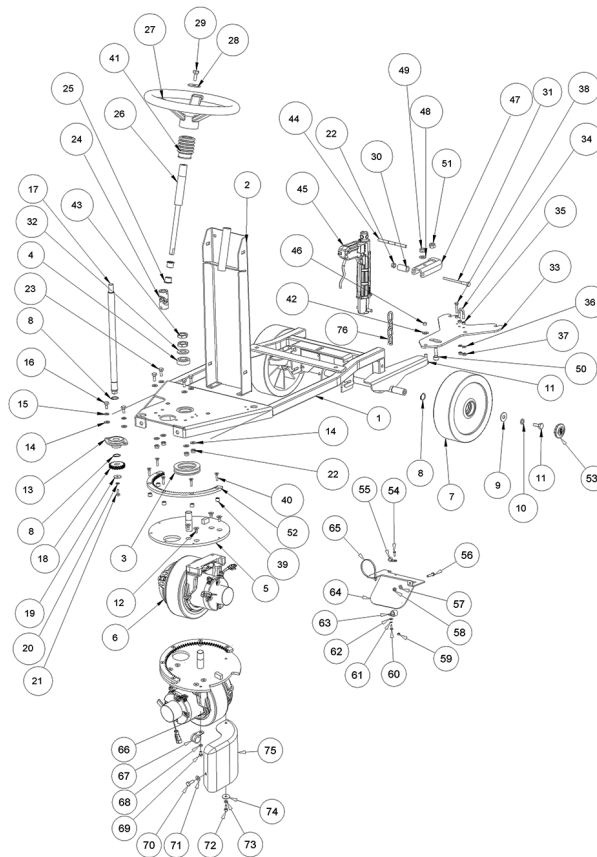
| Ref. K | Part n.   | Part n. 2 | Description                    | Quantity | Validity   |            | Price |
|--------|-----------|-----------|--------------------------------|----------|------------|------------|-------|
|        |           |           |                                |          | From       | To         |       |
| 0001   | KTRI04702 |           | KIT REPLACEMENT TBBP00512      | 1,00     |            |            | --    |
| 0002   | LAFN09389 |           | PIN -                          | 1,00     |            |            | --    |
| 0003   | VTDD10310 |           | NUT AUTOBL.M10 INOX DIN 985    | 2,00     |            |            | --    |
| 0004   | VTRS15523 |           | WASHER D.10 X21 INOX UNI 6592  | 2,00     |            |            | --    |
| 0005   | MPVR07116 |           | TANK RECOVERY CT80 GREEN       | 1,00     |            |            | --    |
| 0006   | MPVR10730 |           | BAFFLE -                       | 1,00     |            | 26/11/2023 | --    |
| 0006   | MPVR13524 |           | BAFFLE .                       | 1,00     | 27/11/2023 |            | --    |
| 0008   | MOCC00342 |           | VACUUM 24V                     | 1,00     |            |            | --    |
| 0008   | MEVR05200 |           | CARBON BRUSH VACUUM 116599-XX  | 2,00     |            |            | --    |
| 0009   | GUGO00497 |           | GASKET Ø140XØ80X10             | 1,00     |            |            | --    |
| 0010   | ITSO00105 |           | INSULATOR -                    | 1,00     |            |            | --    |
| 0011   | GUGO00496 |           | FAIR-LEAD 14-747               | 1,00     |            | 31/08/2023 | --    |
| 0014   | LAFN11070 |           | FLANGE -                       | 1,00     |            |            | --    |
| 0015   | GUGO00466 |           | GASKET RUBBER VACUUM MOT. CT51 | 1,00     |            | 31/08/2023 | --    |
| 0015   | GUGO00733 |           | GASKET -                       | 1,00     | 01/09/2023 |            | --    |
| 0016   | MECI00533 |           | SENSOR VS303-51N               | 1,00     |            |            | --    |
| 0017   | MPVR07118 |           | COVER -                        | 1,00     |            |            | --    |
| 0018   | GUGO00322 |           | GASKET CT80 TANK LID           | 1,00     |            |            | --    |
| 0019   | ETET01824 |           | LABEL -                        | 1,00     |            |            | --    |
| 0020   | MPVR06400 |           | CAP -                          | 1,00     |            |            | --    |
| 0021   | VTVT00056 |           | SCREW TSCE 4X12 ACCIAIO INOX   | 1,00     |            |            | --    |
| 0022   | VTRS00515 |           | WASHER D. 4 INX                | 1,00     |            |            | --    |
| 0023   | VTDD00055 |           | NUT M 4 ATB A2                 | 1,00     |            |            | --    |
| 0024   | FTDP00232 |           | FILTER VACUUM MOT. CT80        | 1,00     |            |            | --    |
| 0025   | TBBP00513 |           | HOSE DRAIN RECOVERY TANK CT80  | 1,00     |            |            | --    |
| 0026   | SESD86493 |           | DISTRIBUTOR 60                 | 1,00     |            | 17/07/2018 | --    |
| 0026   | SESD86494 |           | SEAT SENSOR REED CT80          | 1,00     | 18/07/2018 |            | --    |
| 0027   | MPVR07132 |           | BACKREST CT80                  | 1,00     |            |            | --    |
| 0028   | VTRS13750 |           | WASHER D. 5X14 INX             | 3,00     |            |            | --    |
| 0029   | VTRS00516 |           | WASHER D. 5 INX                | 4,00     |            |            | --    |
| 0030   | VTVT00852 |           | SCREW TBEI M 5X 20 ISO 7380 IX | 2,00     |            |            | --    |
| 0031   | VTRS13946 |           | WASHER D. 8 X24 INX UNI 6593   | 4,00     |            |            | --    |
| 0032   | VTVT01207 |           | SCREW TBEI 5X35                | 2,00     |            |            | --    |
| 0033   | FSVR00033 |           | CLAMP 45-60                    | 1,00     |            |            | --    |
| 0034   | LAFN09400 |           | HOOK DRAIN HOSE CT80           | 1,00     |            |            | --    |
| 0035   | VTVT21096 |           | SCREW TE M 4X 10 INX           | 1,00     |            |            | --    |
| 0036   | VTVT13937 |           | SCREW TE M 8X 30 INX UNI 5739  | 4,00     |            |            | --    |
| 0037   | VTVT07725 |           | SCREW TE 5X16 UNI5739 INX      | 3,00     |            | 23/07/2020 | --    |
| 0037   | VTVT00916 |           |                                | 3,00     | 24/07/2020 | 02/07/2021 | --    |
| 0037   | VTVT07725 |           | SCREW TE 5X16 UNI5739 INX      | 3,00     | 03/07/2021 |            | --    |
| 0038   | LAFN09353 |           | MESH -                         | 1,00     |            |            | --    |
| 0039   | KTRI01980 |           | KIT CAP DRAIN HOSE             | 1,00     |            |            | --    |
| 0040   | KTRI05032 |           | KIT REC. TANK LID CT80         | 1,00     |            |            | --    |
| 0041   | VTDD01693 |           | NUT M 5 INX                    | 3,00     | 24/07/2020 | 02/07/2021 | --    |



| Ref. K | Part n.   | Part n. 2 | Description | Quantity | Validity   |    | Price |
|--------|-----------|-----------|-------------|----------|------------|----|-------|
|        |           |           |             |          | From       | To |       |
| 0042   | LAFN03626 |           | SPACER      | 3,00     | 24/07/2020 |    | --    |

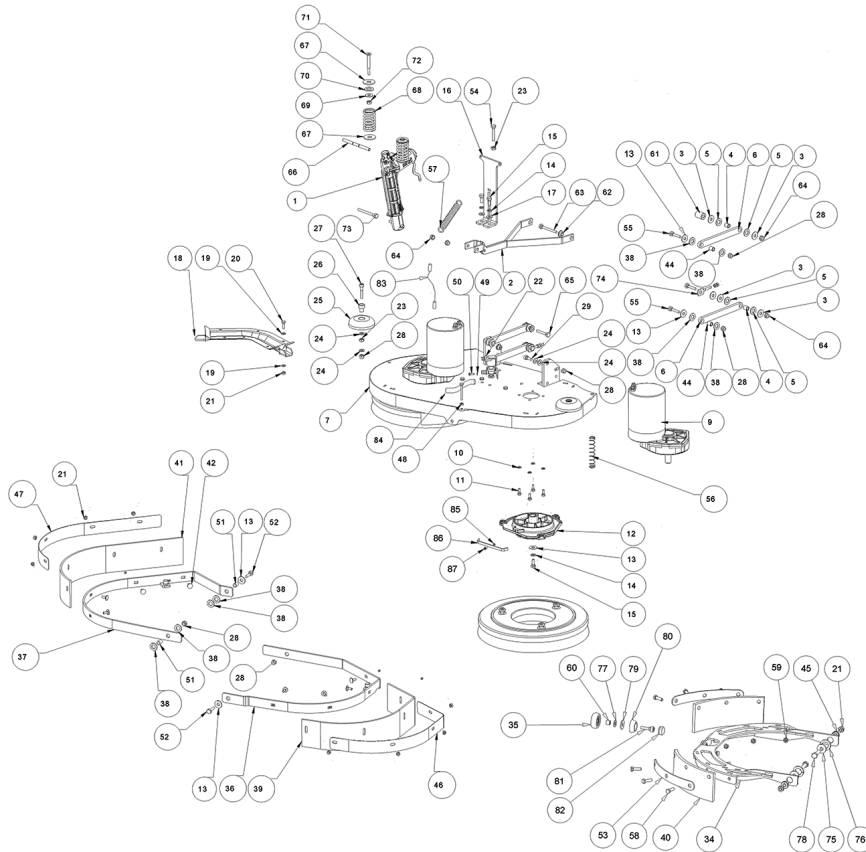


| Ref. K | Part n.   | Part n. 2 | Description                        | Quantity | Validity |    | Price |
|--------|-----------|-----------|------------------------------------|----------|----------|----|-------|
|        |           |           |                                    |          | From     | To |       |
| 0001   | LAFN09292 |           | FRAME -                            | 1,00     |          |    | --    |
| 0002   | LAFN11171 |           | UP STEERING CT80                   | 1,00     |          |    | --    |
| 0003   | CUVR75816 |           | BEARING 51112                      | 1,00     |          |    | --    |
| 0004   | CUVR00094 |           | BEARING 32004 TIPO SKF             | 1,00     |          |    | --    |
| 0005   | LAFN09293 |           | PLATE -                            | 1,00     |          |    | --    |
| 0006   | MOCC00433 |           | MOTOR ELECTRICAL 24V 300W          | 1,00     |          |    | --    |
| 0007   | RTRT00547 |           | WHEEL D.225x65 PU                  | 2,00     |          |    | --    |
| 0008   | VTAE06193 |           | CIRCLIP D. 20 UNI 7435             | 2,00     |          |    | --    |
| 0009   | VTRS15524 |           | WASHER D.10                        | 2,00     |          |    | --    |
| 0010   | VTRS15909 |           | WASHER D.10                        | 2,00     |          |    | --    |
| 0011   | VTVT03640 |           | SCREW TE 10X25 UNI5740             | 2,00     |          |    | --    |
| 0012   | VTVT00790 |           | SCREW TSPEI M8X16                  | 4,00     |          |    | --    |
| 0013   | CUVR00105 |           | BEARING SB204KDF+PFL204PTN         | 1,00     |          |    | --    |
| 0014   | VTRS13947 |           | WASHER D. 8 INX UNI 6592           | 2,00     |          |    | --    |
| 0015   | VTRS15146 |           | WASHER GROVER A2 UNI1751           | 2,00     |          |    | --    |
| 0016   | VTVT15916 |           | SCREW TE M 8X 16 UNI 5739 A2       | 2,00     |          |    | --    |
| 0017   | LAFN09294 |           | SHAFT -                            | 1,00     |          |    | --    |
| 0018   | LAFN06377 |           | PINION STEERING                    | 1,00     |          |    | --    |
| 0019   | VTRS16937 |           | WASHER 6x24 INOX UNI 6593          | 1,00     |          |    | --    |
| 0020   | VTRS15144 |           | WASHER D. 6 INX GRW UNI 1751       | 1,00     |          |    | --    |
| 0021   | VTVT15143 |           | SCREW TE 6X16 UNI5739              | 1,00     |          |    | --    |
| 0022   | VTDD01695 |           | NUT M 8 INX                        | 4,00     |          |    | --    |
| 0023   | VTVT13938 |           | SCREW TE 8X20 UNI5739 INX          | 4,00     |          |    | --    |
| 0024   | VTVR00057 |           | ARTICULATION STEERING              | 1,00     |          |    | --    |
| 0025   | LAFN75841 |           | BUSHING CENTR.PIGNONE RUOTA ANT.   | 2,00     |          |    | --    |
| 0026   | ALTR00097 |           | SHAFT STEERING CT80                | 1,00     |          |    | --    |
| 0027   | MPVR47027 |           | STEERING WHEEL D.320 SENZA POMELLO | 1,00     |          |    | --    |
| 0028   | VTRS44254 |           | WASHER UNI 6593 10X40X2,5 ZB       | 1,00     |          |    | --    |
| 0029   | VTVT00455 |           | SCREW TE 10X20 UNI5739             | 1,00     |          |    | --    |
| 0030   | LAFN08158 |           | SPACER -                           | 1,00     |          |    | --    |
| 0031   | VTVT01677 |           | SCREW TE M 8X100                   | 1,00     |          |    | --    |
| 0032   | VTRS00019 |           | WASHER UNI 6592 FORO 20 INOX       | 1,00     |          |    | --    |
| 0033   | LAFN08156 |           | SHEET METAL PA. -                  | 1,00     |          |    | --    |
| 0034   | LAFN09231 |           | BRACKET M6X11X29                   | 1,00     |          |    | --    |
| 0035   | VTDD15520 |           | NUT M 6 A2 UNI 5588 INX            | 2,00     |          |    | --    |
| 0036   | VTRS00245 |           | WASHER D.6 UNI 6592 INOX           | 2,00     |          |    | --    |
| 0037   | VTDD01694 |           | NUT M6 INOX                        | 2,00     |          |    | --    |
| 0038   | VTVT13939 |           | SCREW TE 6X20 UNI5739 INX          | 1,00     |          |    | --    |
| 0039   | LAFN06844 |           | SPACER CORONA                      | 5,00     |          |    | --    |
| 0040   | VTVT25909 |           | SCREW M 6X 25 TSPEI UNI 5933       | 5,00     |          |    | --    |
| 0041   | MPVR51068 |           | PROTECTOR STEERING                 | 0,50     |          |    | --    |
| 0042   | MLML34767 |           | SPRING D.10.2 X20                  | 1,00     |          |    | --    |
| 0043   | VTDD00524 |           | NUT M20x1,5 UNI 5589               | 2,00     |          |    | --    |
| 0044   | LAFN09320 |           | PIN -                              | 1,00     |          |    | --    |

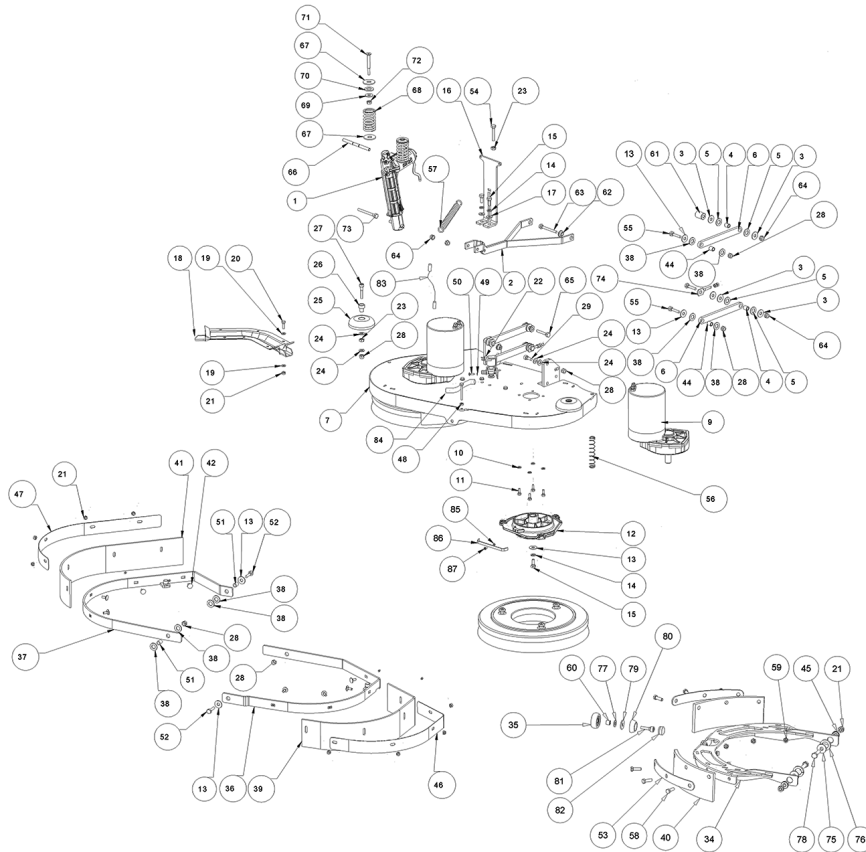


| Ref. K | Part n.   | Part n. 2 | Description                   | Quantity | Validity |    | Price |
|--------|-----------|-----------|-------------------------------|----------|----------|----|-------|
|        |           |           |                               |          | From     | To |       |
| 0045   | MOCC00424 |           | ACTUATOR SQUEEGEE CT80        | 1,00     |          |    | --    |
| 0046   | LAFN09407 |           | SPACER -                      | 1,00     |          |    | --    |
| 0047   | LAFN08233 |           | SUPPORT CT80                  | 1,00     |          |    | --    |
| 0048   | VTRS13947 |           | WASHER D. 8 INX UNI 6592      | 1,00     |          |    | --    |
| 0049   | VTDD01695 |           | NUT M 8 INX                   | 1,00     |          |    | --    |
| 0050   | VTVT00307 |           | SCREW TCEI M10X30             | 1,00     |          |    | --    |
| 0051   | VTDD15519 |           | NUT M10 INOX                  | 1,00     |          |    | --    |
| 0052   | LAFN09409 |           | RING GEAR STEERING            | 1,00     |          |    | --    |
| 0053   | MPVR05951 |           | CAP G48 FOR WHEEL             | 2,00     |          |    | --    |
| 0054   | VTVT00817 |           | SCREW TE M4x12 UNI 5739 INOX  | 1,00     |          |    | --    |
| 0055   | MPVR02933 |           | DUCT LOCK D.9,5               | 1,00     |          |    | --    |
| 0056   | VTVT15141 |           | SCREW TE M 6X 25 UNI 5739 INX | 1,00     |          |    | --    |
| 0057   | VTRS00245 |           | WASHER D.6 UNI 6592 INOX      | 1,00     |          |    | --    |
| 0058   | VTDD01700 |           | NUT M6 INOX+ZIN.              | 1,00     |          |    | --    |
| 0059   | VTDD00055 |           | NUT M 4 ATB A2                | 1,00     |          |    | --    |
| 0060   | VTVT01158 |           | SCREW M4x16                   | 1,00     |          |    | --    |
| 0061   | VTRS15913 |           | WASHER D. 4 GROVER A2 UNI1751 | 1,00     |          |    | --    |
| 0062   | VTRS00017 |           | WASHER STEEL INOX 4X12        | 1,00     |          |    | --    |
| 0063   | FSVR00099 |           | CLAMP FERMATUBO               | 1,00     |          |    | --    |
| 0064   | MPVR12940 |           | GUIDE .                       | 1,00     |          |    | --    |
| 0065   | FSVR00049 |           | CLAMP 4,5x200 black           | 1,00     |          |    | --    |
| 0066   | MEVR00686 |           | FAIR-LEAD DIAMETER 15.5       | 1,00     |          |    | --    |
| 0067   | MEVR02096 |           | FAIR-LEAD D.22 F.8,5 Inox430. | 1,00     |          |    | --    |
| 0068   | VTRS15144 |           | WASHER D. 6 INX GRW UNI 1751  | 1,00     |          |    | --    |
| 0069   | VTVT15906 |           | SCREW TE 6X 12 A2 UNI 5739    | 1,00     |          |    | --    |
| 0070   | VTVT13938 |           | SCREW TE 8X20 UNI5739 INX     | 1,00     |          |    | --    |
| 0071   | VTRS13947 |           | WASHER D. 8 INX UNI 6592      | 1,00     |          |    | --    |
| 0072   | VTVT00717 |           | SCREW TCEI M. 6-16            | 1,00     |          |    | --    |
| 0073   | VTRS15144 |           | WASHER D. 6 INX GRW UNI 1751  | 1,00     |          |    | --    |
| 0074   | VTRS16937 |           | WASHER 6x24 INOX UNI 6593     | 1,00     |          |    | --    |
| 0075   | MPVR12936 |           | CRANKCASE .                   | 1,00     |          |    | --    |
| 0076   | MTCR00116 |           | SMALL CHAIN .                 | 1,00     |          |    | --    |

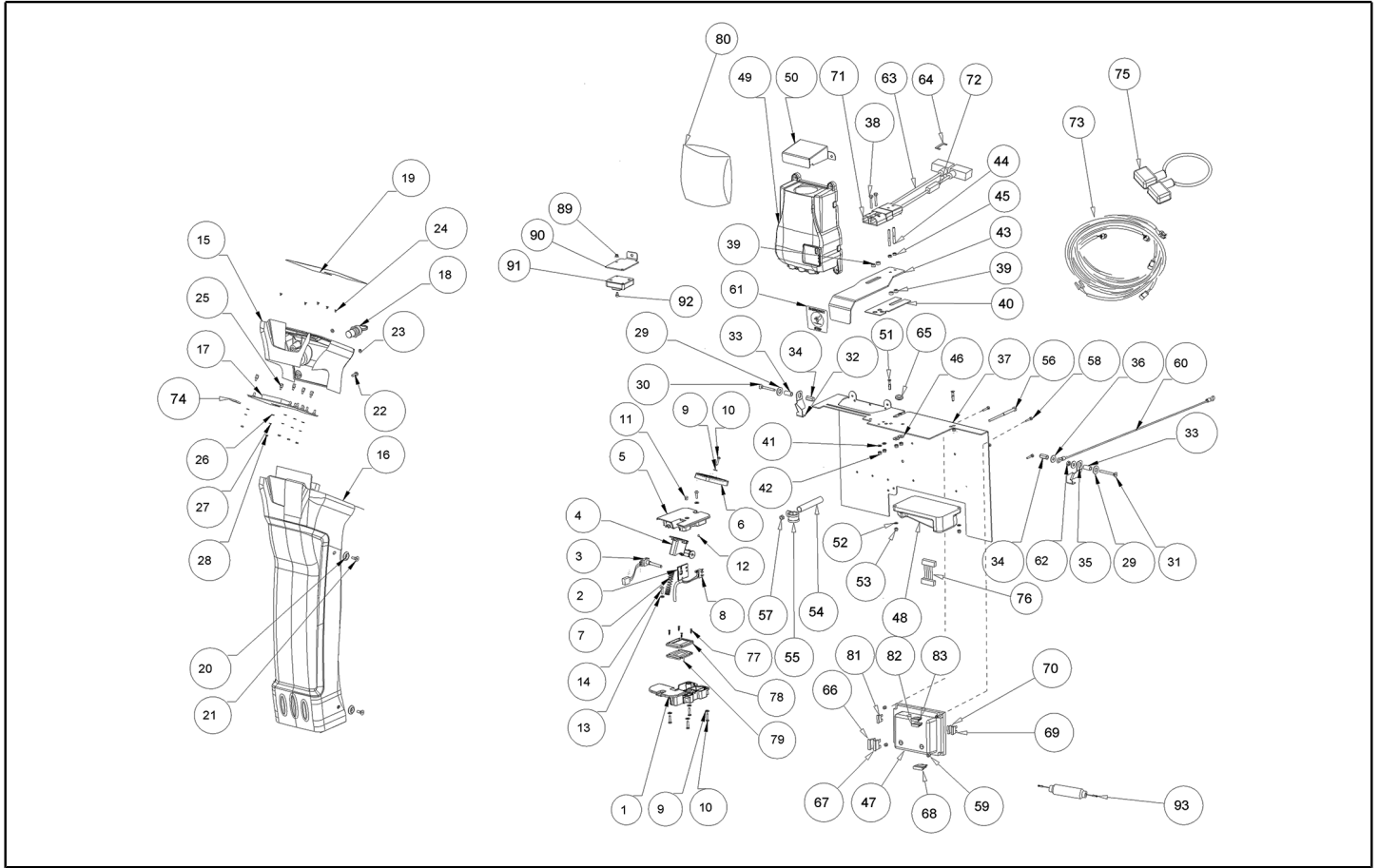




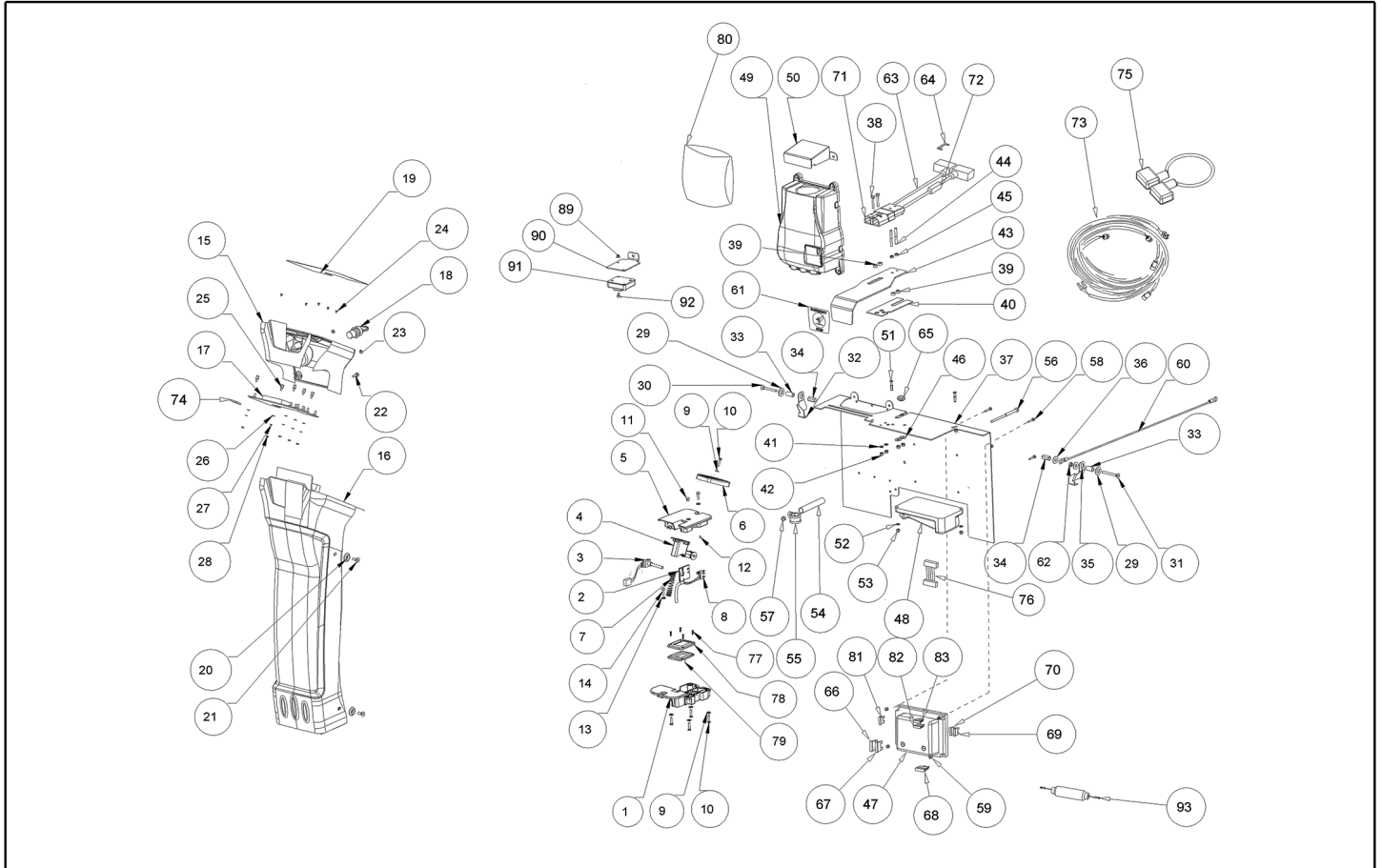
| Ref. K | Part n.   | Part n. 2 | Description                        | Quantity | Validity   |            | Price |
|--------|-----------|-----------|------------------------------------|----------|------------|------------|-------|
|        |           |           |                                    |          | From       | To         |       |
| 0001   | MOCC00423 |           | ACTUATOR BRUSH HEAD CT80           | 1,00     |            |            | --    |
| 0002   | LAFN09305 |           | BRACKET ACTUATOR 2BR. VERSION      | 1,00     |            |            | --    |
| 0003   | VTRS13946 |           | WASHER D. 8 X24 INX UNI 6593       | 8,00     |            |            | --    |
| 0004   | LAFN04151 |           | BUSHING X PARALLELOGRAMMA          | 4,00     |            |            | --    |
| 0005   | VTRS43258 |           | WASHER D.13X24 X2.5 NYL UNI6592    | 4,00     |            |            | --    |
| 0006   | LAFN09298 |           | BRACKET BRUSH HEAD CT80            | 4,00     |            |            | --    |
| 0007   | LAFN09311 |           | PLATE -                            | 1,00     |            |            | --    |
| 0009   | MOCC00437 |           | MOTOR.GEARBOX 24V 400W CT80        | 2,00     |            |            | --    |
| 0009   | MEVR02896 |           | ROTOR FOR MOTOR MOCC00437          | 1,00     |            |            | --    |
| 0009   | MOCC00344 |           | CARBON BRUSH 00701535              | 1,00     |            |            | --    |
| 0009   | RDGR00043 |           | REDUCTION UNIT -                   | 1,00     |            |            | --    |
| 0010   | VTRS15144 |           | WASHER D. 6 INX GRW UNI 1751       | 8,00     |            |            | --    |
| 0011   | VTVT15143 |           | SCREW TE 6X16 UNI5739              | 8,00     |            |            | --    |
| 0012   | MFVR00212 |           | DRIVE DISK ALUMINIUM               | 2,00     |            | 02/09/2020 | --    |
| 0012   | MFVR00242 |           | DRIVE DISK CONICAL ALUMINIUM       | 2,00     | 03/09/2020 |            | --    |
| 0013   | VTRS16323 |           | WASHER D. 8 X32 UNI 6593 INX       | 2,00     |            |            | --    |
| 0014   | VTRS15146 |           | WASHER GROVER A2 UNI1751           | 2,00     |            |            | --    |
| 0015   | VTVT13938 |           | SCREW TE 8X20 UNI5739 INX          | 2,00     |            |            | --    |
| 0016   | LAFN09303 |           | BRACKET -                          | 1,00     |            |            | --    |
| 0017   | VTRS13945 |           | WASHER D. 6X18 INX UNI 6593        | 4,00     |            |            | --    |
| 0018   | MPVR07147 |           | CONVEYOR -                         | 1,00     |            |            | --    |
| 0019   | VTRS00245 |           | WASHER D.6 UNI 6592 INOX           | 12,00    |            |            | --    |
| 0020   | VTVT13939 |           | SCREW TE 6X20 UNI5739 INX          | 4,00     |            |            | --    |
| 0021   | VTDD01694 |           | NUT M6 INOX                        | 6,00     |            |            | --    |
| 0022   | MEEV00036 |           | SOLENOID VALVE HOLE 8mm CLEAN TIME | 1,00     |            |            | --    |
| 0023   | VTDD15521 |           | NUT M 8 INX A2 UNI 5588            | 2,00     |            |            | --    |
| 0024   | VTRS13947 |           | WASHER D. 8 INX UNI 6592           | 2,00     |            |            | --    |
| 0025   | MPVR06105 |           | WHEEL BUMPER D.80 H=22             | 2,00     |            |            | --    |
| 0026   | LAFN03915 |           | BUSHING NUOVO RUOTINO STRONG       | 2,00     |            |            | --    |
| 0027   | VTVT06241 |           | SCREW 8X40                         | 2,00     |            |            | --    |
| 0028   | VTDD01695 |           | NUT M 8 INX                        | 2,00     |            |            | --    |
| 0034   | LAFN11044 |           | BRACKET CENTERING FLAP BT60        | 2,00     |            |            | --    |
| 0035   | CUVR00184 |           | BEARING RS608 2RS1 PU-COATED       | 2,00     |            |            | --    |
| 0036   | LAFN09313 |           | BRACKET SX                         | 1,00     |            |            | --    |
| 0037   | LAFN09312 |           | BRACKET DX                         | 1,00     |            |            | --    |
| 0038   | VTRS43258 |           | WASHER D.13X24 X2.5 NYL UNI6592    | 4,00     |            |            | --    |
| 0039   | MPVR07112 |           | FLAP SIDE SKIRT CT80BT70           | 1,00     |            |            | --    |
| 0040   | MPVR07113 |           | FLAP -                             | 4,00     |            |            | --    |
| 0041   | MPVR07112 |           | FLAP SIDE SKIRT CT80BT70           | 1,00     |            |            | --    |
| 0042   | VTVT01208 |           | SCREW TBEI 5X35                    | 8,00     |            |            | --    |
| 0044   | LAFN04151 |           | BUSHING X PARALLELOGRAMMA          | 4,00     |            |            | --    |
| 0045   | LAFN11045 |           | BUSHING -                          | 4,00     |            |            | --    |
| 0046   | LAFN09394 |           | BRACKET -                          | 1,00     |            |            | --    |
| 0047   | LAFN09395 |           | BRACKET -                          | 1,00     |            |            | --    |



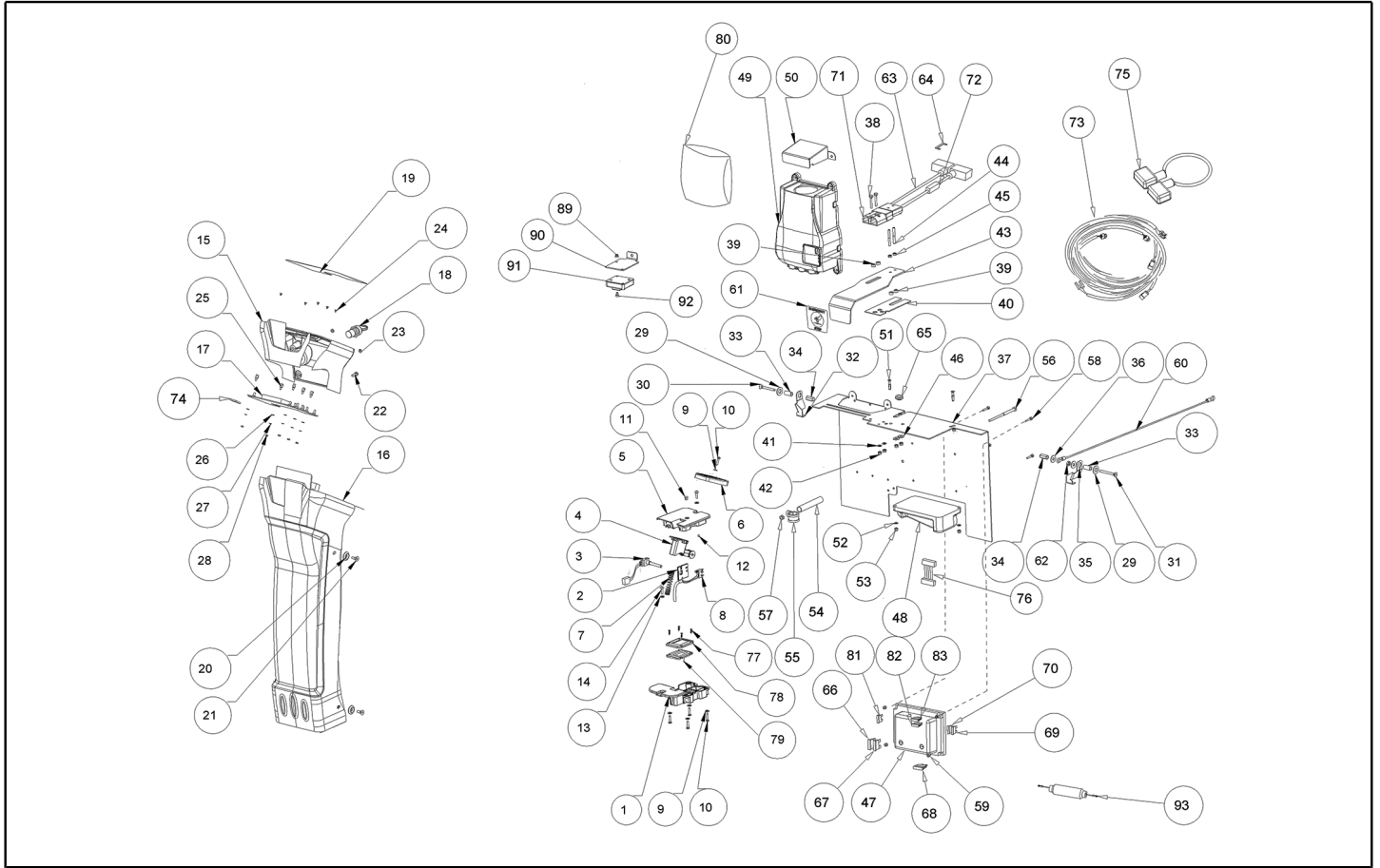
| Ref. K | Part n.   | Part n. 2 | Description                       | Quantity | Validity   |            | Price |
|--------|-----------|-----------|-----------------------------------|----------|------------|------------|-------|
|        |           |           |                                   |          | From       | To         |       |
| 0048   | VTDD00053 |           | NUT M6 INOX UNI5589               | 2,00     |            |            | --    |
| 0049   | VTRS00515 |           | WASHER D. 4 INX                   | 2,00     |            |            | --    |
| 0050   | VTVT01158 |           | SCREW M4x16                       | 2,00     |            |            | --    |
| 0051   | LAFN08907 |           | SPACER 12-8                       | 2,00     |            |            | --    |
| 0052   | VTVT01050 |           | SCREW TE M 8X30 INX UNI 5737      | 2,00     |            |            | --    |
| 0053   | LAFN09295 |           | SHEET METAL PA. -                 | 4,00     |            |            | --    |
| 0054   | VTVT15371 |           | SCREW TE M 8X45 INOX A2 UNI       | 1,00     |            |            | --    |
| 0055   | VTVT00410 |           | SCREW TE M8x35 UNI5739 INOX       | 2,00     |            |            | --    |
| 0056   | MLML00345 |           | SPRING -                          | 2,00     |            |            | --    |
| 0057   | MLML00347 |           | SPRING BRUSH HEAD CT80            | 1,00     |            |            | --    |
| 0058   | VTVT07725 |           | SCREW TE 5X16 UNI5739 INX         | 12,00    |            |            | --    |
| 0059   | VTDD01693 |           | NUT M 5 INX                       | 12,00    |            |            | --    |
| 0060   | LAFN03840 |           | BUSHING                           | 2,00     |            |            | --    |
| 0061   | LAFN09327 |           | SPACER -                          | 1,00     |            |            | --    |
| 0062   | LAFN06391 |           | BUSHING BRUSH DECK SUPPORT        | 2,00     |            |            | --    |
| 0063   | VTVT00757 |           | SCREW                             | 1,00     |            |            | --    |
| 0064   | VTDD15521 |           | NUT M 8 INX A2 UNI 5588           | 2,00     |            |            | --    |
| 0065   | VTVT00708 |           | SCREW TE M. 8-40                  | 1,00     |            |            | --    |
| 0066   | LAFN09320 |           | PIN -                             | 1,00     |            |            | --    |
| 0067   | VTRS09142 |           | WASHER UNI 6593 12X36X2,5         | 2,00     |            |            | --    |
| 0068   | MLML00324 |           | SPRING -                          | 2,00     |            |            | --    |
| 0069   | VTRS13946 |           | WASHER D. 8 X24 INX UNI 6593      | 2,00     |            |            | --    |
| 0070   | VTRS00250 |           | WASHER D.14                       | 2,00     |            |            | --    |
| 0071   | VTVT00300 |           | SCREW TSPEI M8x70 UNI5933         | 2,00     |            |            | --    |
| 0072   | VTDD15521 |           | NUT M 8 INX A2 UNI 5588           | 2,00     |            |            | --    |
| 0073   | VTVT00410 |           | SCREW TE M8x35 UNI5739 INOX       | 1,00     |            |            | --    |
| 0074   | LAFN47168 |           | BELT-STRETCHER ALTERNATORE TK1400 | 2,00     |            |            | --    |
| 0075   | VTRS13945 |           | WASHER D. 6X18 INX UNI 6593       | 4,00     |            |            | --    |
| 0076   | VTRS15919 |           | WASHER D.12 GROVER UNI 1751 INX   | 4,00     |            |            | --    |
| 0077   | VTRS00245 |           | WASHER D.6 UNI 6592 INOX          | 2,00     |            |            | --    |
| 0078   | VTVT15141 |           | SCREW TE M 6X 25 UNI 5739 INX     | 4,00     |            |            | --    |
| 0079   | VTRS13945 |           | WASHER D. 6X18 INX UNI 6593       | 2,00     |            |            | --    |
| 0080   | MPVR06440 |           | COVER -                           | 2,00     |            |            | --    |
| 0081   | VTVT00428 |           | SCREW TCEI 6X20 UNI5931 INX       | 2,00     |            |            | --    |
| 0082   | MPVR06441 |           | COVER -                           | 2,00     |            |            | --    |
| 0083   | MECB01373 |           | EXTENSION                         | 1,00     | 19/02/2015 |            | --    |
| 0084   | TBFX48011 |           | HOSE FLEX D.12X3 ARMORV.PVC TR    | 0,60     |            |            | --    |
| 0085   | VTRS15913 |           | WASHER D. 4 GROVER A2 UNI1751     | 2,00     |            |            | --    |
| 0086   | MLML00328 |           | SPRING RETAINING, BRUSH DRIVER    | 2,00     |            | 02/09/2020 | --    |
| 0086   | MLML00350 |           | SPRING ALUM. CONICAL DRIVER       | 2,00     | 03/09/2020 |            | --    |
| 0087   | VTVT21887 |           | SCREW TCB-TC 4X10 8112            | 2,00     |            |            | --    |



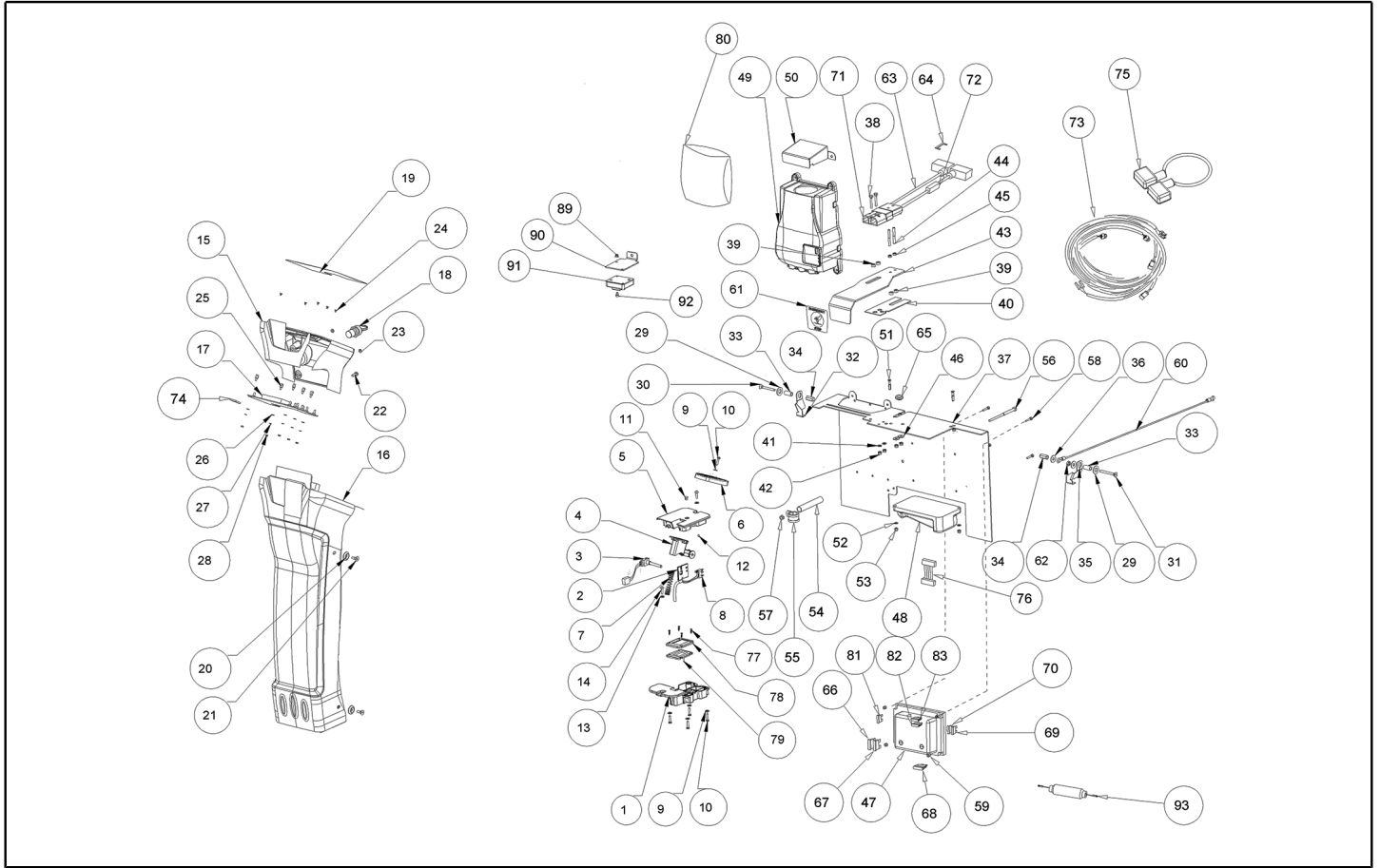
| Ref. K | Part n.     | Part n. 2 | Description                             | Quantity | Validity |    | Price |
|--------|-------------|-----------|-----------------------------------------|----------|----------|----|-------|
|        |             |           |                                         |          | From     | To |       |
| 0001   | MPVR11937   |           | BASE CT80 ACCELERATOR                   | 1,00     |          |    | --    |
| 0002   | S MPVR07122 |           | PLATE -                                 | 1,00     |          |    | --    |
| 0003   | S MEVR01755 |           | POTENTIOMETER PEDAL CT80                | 1,00     |          |    | --    |
| 0004   | MPVR11940   |           | SUPPORT CT80 ACCELERATOR                | 1,00     |          |    | --    |
| 0005   | MPVR11938   |           | COVER CT80 ACCELERATOR                  | 1,00     |          |    | --    |
| 0006   | MPVR11939   |           | PEDAL CT80 ACCELERATOR                  | 1,00     |          |    | --    |
| 0007   | S MLML00476 |           | SPRING -                                | 1,00     |          |    | --    |
| 0008   | S MECI00414 |           | MICROSWITCH PEDAL CT80                  | 1,00     |          |    | --    |
| 0009   | VTRS00516   |           | WASHER D. 5 INX                         | 4,00     |          |    | --    |
| 0010   | VTVT48694   |           | SCREW TCB TC 5 X12 UNI 9707 TZ          | 4,00     |          |    | --    |
| 0011   | RCVR00163   |           | CAP D.6                                 | 1,00     |          |    | --    |
| 0012   | VTVT01703   |           | GRUB SCREW M4X8                         | 1,00     |          |    | --    |
| 0013   | VTRS00516   |           | WASHER D. 5 INX                         | 1,00     |          |    | --    |
| 0014   | VTVT45339   |           | SCREW TBCE ISO 7380 5X16 ZB             | 1,00     |          |    | --    |
| 0015   | MPVR07124   |           | INSTR.PANEL -                           | 1,00     |          |    | --    |
| 0016   | MPVR07123   |           | SIDE PANEL PANEL CT80 GREEN             | 1,00     |          |    | --    |
| 0017   | MECE00589   |           | BOARD DISPLAY CT80                      | 1,00     |          |    | --    |
| 0018   | MECI75805   |           | SWITCH KEY FOR BATTERY MACHINES         | 1,00     |          |    | --    |
| 0019   | ETET01797   |           | LABEL -                                 | 1,00     |          |    | --    |
| 0020   | VTVR41809   |           | UND.SCREW FLAN. D. 6,5-22 H4,5 NYL.NERO | 4,00     |          |    | --    |
| 0021   | VTVT00832   |           | SCREW TSPEI M6X16 INOX                  | 4,00     |          |    | --    |
| 0022   | VTVT00787   |           | SCREW TBEI M 6-16                       | 2,00     |          |    | --    |
| 0023   | VTRS13750   |           | WASHER D. 5X14 INX                      | 2,00     |          |    | --    |
| 0024   | VTVT01377   |           | SCREW TSP-TC M 3X5 UNI7688 INX          | 5,00     |          |    | --    |
| 0025   | VTVR00576   |           | SPACER M3                               | 5,00     |          |    | --    |
| 0027   | VTRS21116   |           | WASHER D. 3 INX                         | 5,00     |          |    | --    |
| 0028   | VTDD00210   |           | NUT M 3 AUTOBL.DIN 985 IX.A2            | 5,00     |          |    | --    |
| 0029   | VTRS15523   |           | WASHER D.10 X21 INOX UNI 6592           | 2,00     |          |    | --    |
| 0030   | VTVT26818   |           | SCREW M6x45 TSPEI UNI5933               | 1,00     |          |    | --    |
| 0031   | VTVT30247   |           | SCREW TSPEI M 6X 50 UNI 5933            | 1,00     |          |    | --    |
| 0032   | LAFN09398   |           | BRACKET -                               | 1,00     |          |    | --    |
| 0033   | MPVR07165   |           | SPACER -                                | 2,00     |          |    | --    |
| 0034   | VTVR00556   |           | RIVET -                                 | 2,00     |          |    | --    |
| 0035   | LAFN09399   |           | BRACKET -                               | 1,00     |          |    | --    |
| 0036   | VTRS00245   |           | WASHER D.6 UNI 6592 INOX                | 3,00     |          |    | --    |
| 0037   | LAFN09322   |           | SUPPORT ELECTRONICS+CHARGER             | 1,00     |          |    | --    |
| 0038   | VTVT00423   |           | SCREW TE M 5X 30 UNI 5739               | 2,00     |          |    | --    |
| 0039   | MPVR07164   |           | SPACER -                                | 4,00     |          |    | --    |
| 0040   | MPVR07141   |           | PLATE -                                 | 1,00     |          |    | --    |
| 0041   | VTRS00516   |           | WASHER D. 5 INX                         | 2,00     |          |    | --    |
| 0042   | VTDD01693   |           | NUT M 5 INX                             | 2,00     |          |    | --    |
| 0043   | LAFN09321   |           | LEVER -                                 | 1,00     |          |    | --    |
| 0044   | LAFN09350   |           | PIN -                                   | 2,00     |          |    | --    |
| 0045   | VTDD07727   |           | NUT M 5 INOX                            | 2,00     |          |    | --    |



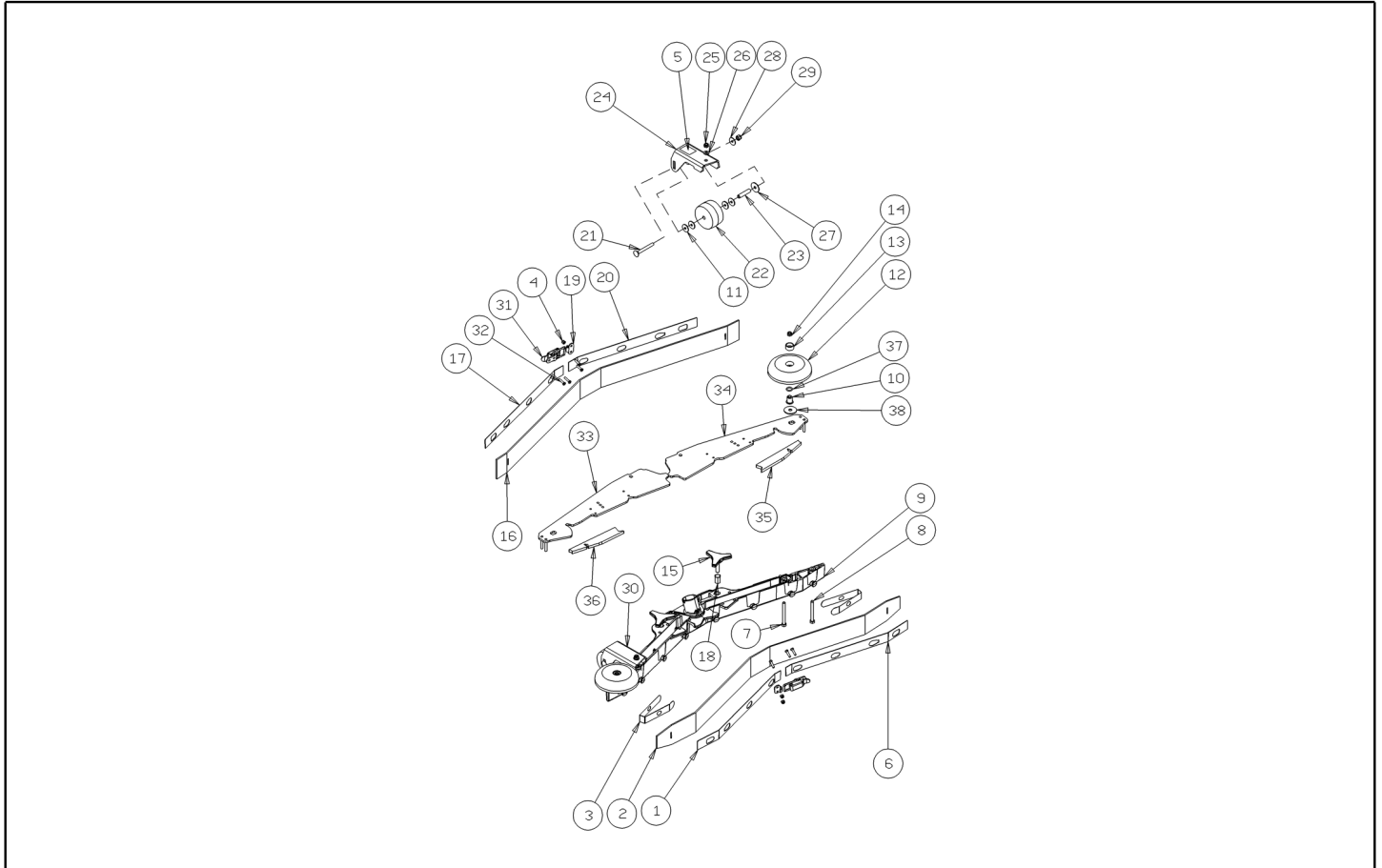
| Ref. K | Part n.   | Part n. 2 | Description                           | Quantity | Validity   |            | Price |
|--------|-----------|-----------|---------------------------------------|----------|------------|------------|-------|
|        |           |           |                                       |          | From       | To         |       |
| 0046   | VTRS13750 |           | WASHER D. 5X14 INX                    | 2,00     |            |            | --    |
| 0047   | MECE00909 |           | BOARD POWER CT80 MY2022               | 1,00     |            | 08/01/2024 | --    |
| 0047   | MECE00974 |           | BOARD CT80 MY2023                     | 1,00     | 09/01/2024 |            | --    |
| 0048   | MECE00907 |           | BOARD CURTIS 1212S                    | 1,00     |            |            | --    |
| 0049   | BACA00181 |           | BATTERY-CHARGER CBHD3 OB CT80 24V 25A | 1,00     |            |            | --    |
| 0050   | LAFN09325 |           | DISTRIBUTOR 60                        | 1,00     |            |            | --    |
| 0051   | VTVT00861 |           | SCREW TSPEI 4X25                      | 2,00     |            |            | --    |
| 0052   | VTRS00515 |           | WASHER D. 4 INX                       | 2,00     |            |            | --    |
| 0053   | VTDD00055 |           | NUT M 4 ATB A2                        | 2,00     |            |            | --    |
| 0054   | LAFN09323 |           | HOSE -                                | 1,00     |            |            | --    |
| 0055   | MEVR02096 |           | FAIR-LEAD D.22 F.8,5 Inox430.         | 1,00     |            |            | --    |
| 0056   | VTVT00414 |           | SCREW TE M6x100 UNI5739               | 1,00     |            |            | --    |
| 0057   | VTDD01694 |           | NUT M6 INOX                           | 1,00     |            |            | --    |
| 0058   | VTVT00704 |           | SCREW TE M 4X 16 UNI5739 INOX         | 4,00     |            |            | --    |
| 0059   | VTDD15925 |           | NUT M 4 INX+ZN                        | 4,00     |            |            | --    |
| 0060   | CMCV00471 |           | CABLE CT80                            | 1,00     |            |            | --    |
| 0061   | ETET01825 |           | LABEL -                               | 1,00     |            |            | --    |
| 0062   | VTDD00053 |           | NUT M6 INOX UNI5589                   | 1,00     |            |            | --    |
| 0063   | KTRIO2290 |           | CABLE BATTERY-ANDERSON+FUS.CT80       | 1,00     |            | 06/06/2023 | --    |
| 0063   | MECB02365 |           | WIRING .                              | 1,00     | 07/06/2023 |            | --    |
| 0064   | MEVR32087 |           | FUSE 100A NST.                        | 1,00     |            |            | --    |
| 0065   | MEVR00686 |           | FAIR-LEAD DIAMETER 15.5               | 1,00     |            |            | --    |
| 0066   | MEVR00644 |           | FUSE MAXIVAL 30A                      | 1,00     |            |            | --    |
| 0067   | MEVR00644 |           | FUSE MAXIVAL 30A                      | 1,00     |            |            | --    |
| 0068   | MEVR00644 |           | FUSE MAXIVAL 30A                      | 1,00     |            |            | --    |
| 0069   | MEVR00584 |           | FUSE 3A                               | 1,00     |            |            | --    |
| 0070   | MEVR00584 |           | FUSE 3A                               | 1,00     |            |            | --    |
| 0071   | MEVR01621 |           | PLUG ANDERSON SB120 RED               | 1,00     |            |            | --    |
| 0072   | MEVR31036 |           | FUSE-HOLDER                           | 1,00     |            |            | --    |
| 0073   | MECB02307 |           | WIRING .                              | 1,00     |            |            | --    |
| 0074   | MEVR02097 |           | SD-CARD -                             | 1,00     |            |            | --    |
| 0075   | MEVR34820 |           | WIRING BATTERY BRIDGE W/TERMINAL      | 3,00     |            |            | --    |
| 0076   | MECB01362 |           | WIRING INTERFACE CURTIS BOARD         | 1,00     |            |            | --    |
| 0077   | VTVT01594 |           | SCREW VITE TSPC 3x12                  | 4,00     |            |            | --    |
| 0078   | MPVR11928 |           | GASKET BRAKE PEDAL CT80               | 1,00     |            |            | --    |
| 0079   | MPVR11933 |           | GASKET CT80 ACCELERATOR               | 1,00     |            |            | --    |
| 0080   | MPVR02838 |           | BAG CHARGER POWER CORD                | 1,00     |            |            | --    |
| 0081   | MEVR01132 |           | FUSE A LAMA 5 A.                      | 1,00     |            |            | --    |
| 0082   | MEVR00584 |           | FUSE 3A                               | 1,00     |            |            | --    |
| 0083   | MEVR00584 |           | FUSE 3A                               | 1,00     |            |            | --    |
| 0089   | VTDD00055 |           | NUT M 4 ATB A2                        | 2,00     |            |            | --    |
| 0090   | LAFN11766 |           | SUPPORT .                             | 1,00     |            |            | --    |
| 0091   | MECE00904 |           | BOARD RELE'                           | 1,00     |            |            | --    |
| 0092   | VTVT01556 |           | SCREW TCEI M4X16 UNI5931 A2           | 2,00     |            |            | --    |



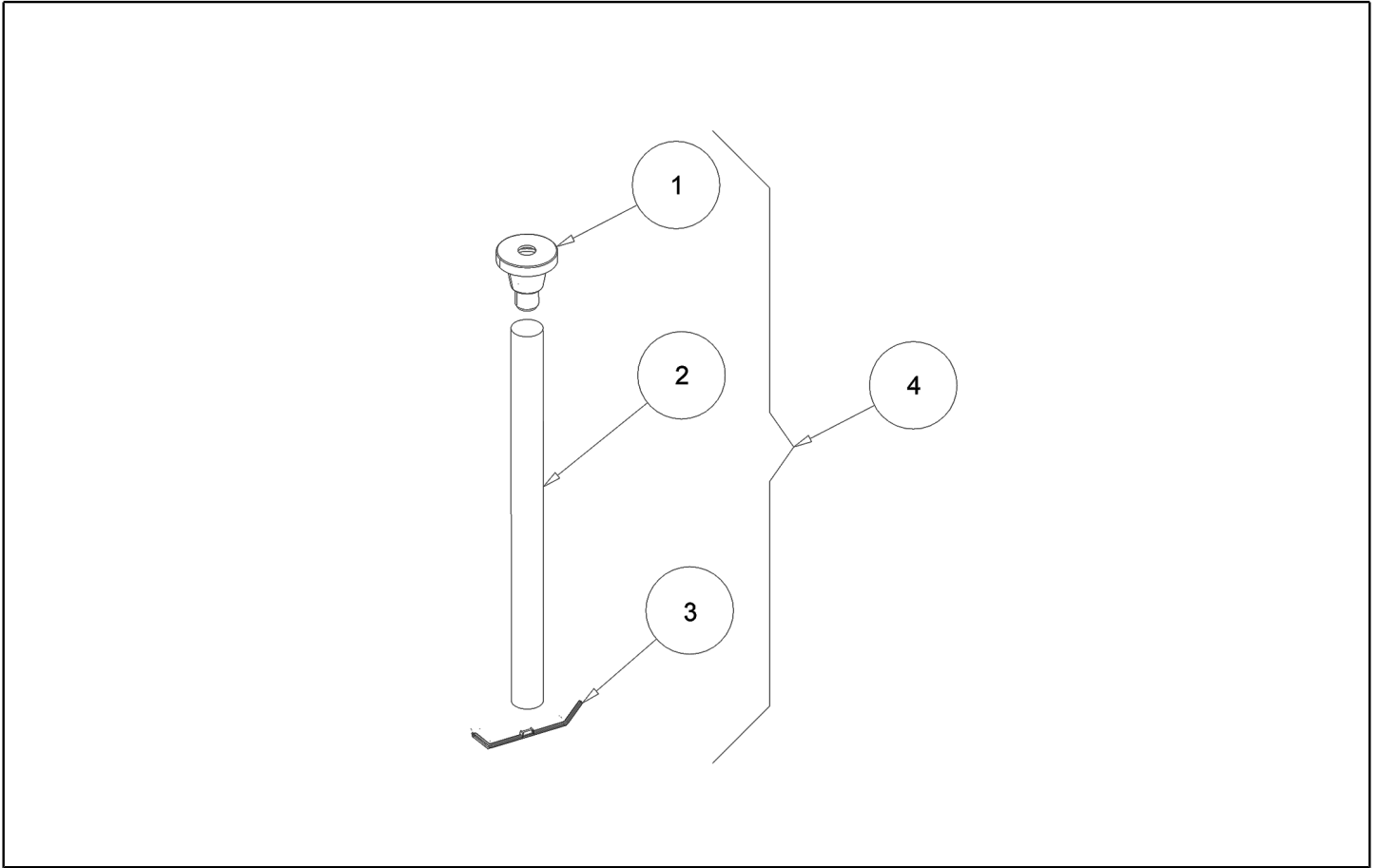
| Ref. K | Part n.   | Part n. 2 | Description         | Quantity | Validity   |    | Price |
|--------|-----------|-----------|---------------------|----------|------------|----|-------|
|        |           |           |                     |          | From       | To |       |
| 0093   | MECB01908 |           | WIRING DIODE FILTER | 1,00     | 24/09/2021 | -- | --    |



| Ref. Part n. | Part n. 2 | Description               | Reference                               | Price |
|--------------|-----------|---------------------------|-----------------------------------------|-------|
| KTRI02313    |           | KIT POWER BOARD CT80      | 0047                                    | --    |
| PMVR01531    |           | ACCELERATOR COMPLETE CT80 | 0001 0002 0003 0004 0005 0006 0007 0008 | --    |



| Ref. K | Part n.   | Part n. 2 | Description                    | Quantity | Validity   |            | Price |
|--------|-----------|-----------|--------------------------------|----------|------------|------------|-------|
|        |           |           |                                |          | From       | To         |       |
| 0001   | LAFN09284 |           | SHEET METAL PA. -              | 1,00     |            |            | --    |
| 0002   | MPVR08040 |           | BLADE L LATEX                  | 1,00     |            |            | --    |
| 0003   | MPVR05898 |           | CLOSURE L                      | 2,00     |            |            | --    |
| 0004   | VTDD00210 |           | NUT M 3 AUTOBL.DIN 985 IX.A2   | 8,00     |            |            | --    |
| 0005   | ETET01817 |           | LABEL -                        | 2,00     |            |            | --    |
| 0006   | LAFN09285 |           | BLADE RETAINER FRONT L.H.S. L  | 1,00     |            |            | --    |
| 0007   | VTVT00841 |           | SCREW TE M 6X65 UNI 5739 INX   | 2,00     |            |            | --    |
| 0008   | VTVT00841 |           | SCREW TE M 6X65 UNI 5739 INX   | 2,00     |            |            | --    |
| 0009   | MFVR00217 |           | BODY -                         | 1,00     |            |            | --    |
| 0010   | LAFN04100 |           | SPACER FOR BUMPER WHEEL        | 2,00     |            |            | --    |
| 0011   | VTRS00274 |           | WASHER NYLON 66 D.8,4-17-2 UNI | 4,00     |            |            | --    |
| 0012   | MPVR05290 |           | ROLLER SIDE BUMPER WHEEL       | 2,00     |            |            | --    |
| 0013   | MPVR49229 |           | BUSHING SHK                    | 2,00     |            |            | --    |
| 0014   | VTDD01694 |           | NUT M6 INOX                    | 2,00     |            |            | --    |
| 0015   | MPVR06004 |           | KNOB SQUEEGEE YELLOW M8X30     | 2,00     |            | 03/04/2018 | --    |
| 0015   | MPVR10569 |           | SMALL KNOB YELLOW M8X45 H.10   | 2,00     | 04/04/2018 |            | --    |
| 0016   | MPVR08036 |           | BLADE L LATEX                  | 1,00     |            |            | --    |
| 0017   | LAFN09286 |           | SHEET METAL PA. -              | 1,00     |            |            | --    |
| 0018   | VTVR00567 |           | INSERT -                       | 2,00     |            |            | --    |
| 0019   | LAFN09301 |           | SOCKET -                       | 2,00     |            |            | --    |
| 0020   | LAFN09287 |           | SHEET METAL PA. -              | 1,00     |            |            | --    |
| 0021   | VTVT01206 |           | SCREW M6X55                    | 2,00     |            |            | --    |
| 0022   | RTRT00398 |           | WHEEL d.60 HOLE 8              | 2,00     |            |            | --    |
| 0023   | LAFN07589 |           | SPACER -                       | 2,00     |            |            | --    |
| 0024   | LAFN09368 |           | SUPPORT SX                     | 1,00     |            |            | --    |
| 0025   | VTDD01694 |           | NUT M6 INOX                    | 2,00     |            |            | --    |
| 0026   | VTRS00245 |           | WASHER D.6 UNI 6592 INOX       | 2,00     |            |            | --    |
| 0027   | VTRS16937 |           | WASHER 6x24 INOX UNI 6593      | 2,00     |            |            | --    |
| 0028   | VTRS13945 |           | WASHER D. 6X18 INX UNI 6593    | 2,00     |            |            | --    |
| 0029   | VTDD15518 |           | NUT M 6 INX                    | 2,00     |            |            | --    |
| 0030   | LAFN09367 |           | SUPPORT DX                     | 1,00     |            |            | --    |
| 0031   | LAFN09302 |           | CLOSURE -                      | 2,00     |            |            | --    |
| 0032   | VTVT01070 |           | SCREW TSTC M3X8                | 8,00     |            |            | --    |
| 0033   | LAFN09015 |           | PLATE -                        | 1,00     |            | 22/02/2016 | --    |
| 0033   | LAFN11024 |           | PLATE -                        | 1,00     | 23/02/2016 |            | --    |
| 0034   | LAFN09014 |           | PLATE -                        | 1,00     |            | 22/02/2016 | --    |
| 0034   | LAFN11023 |           | PLATE -                        | 1,00     | 23/02/2016 |            | --    |
| 0035   | GUVR00302 |           | GASKET -                       | 1,00     |            |            | --    |
| 0036   | GUVR00303 |           | GASKET -                       | 1,00     |            |            | --    |
| 0037   | GUGO00164 |           | GASKET                         | 2,00     |            |            | --    |
| 0038   | VTRS16937 |           | WASHER 6x24 INOX UNI 6593      | 2,00     |            |            | --    |



| Ref. K | Part n.   | Part n. 2 | Description   | Quantity | Validity |    | Price |
|--------|-----------|-----------|---------------|----------|----------|----|-------|
|        |           |           |               |          | From     | To |       |
| 0001   | MPVR06404 |           | JOINT -       | 1,00     |          |    | --    |
| 0002   | TBFX00375 |           | TUBE -        | 0,90     |          |    | --    |
| 0003   | MPVR08038 |           | PLATE CT15-30 | 1,00     |          |    | --    |
| 0004   | KTRI02248 |           | KIT .         | 1,00     |          |    | --    |