

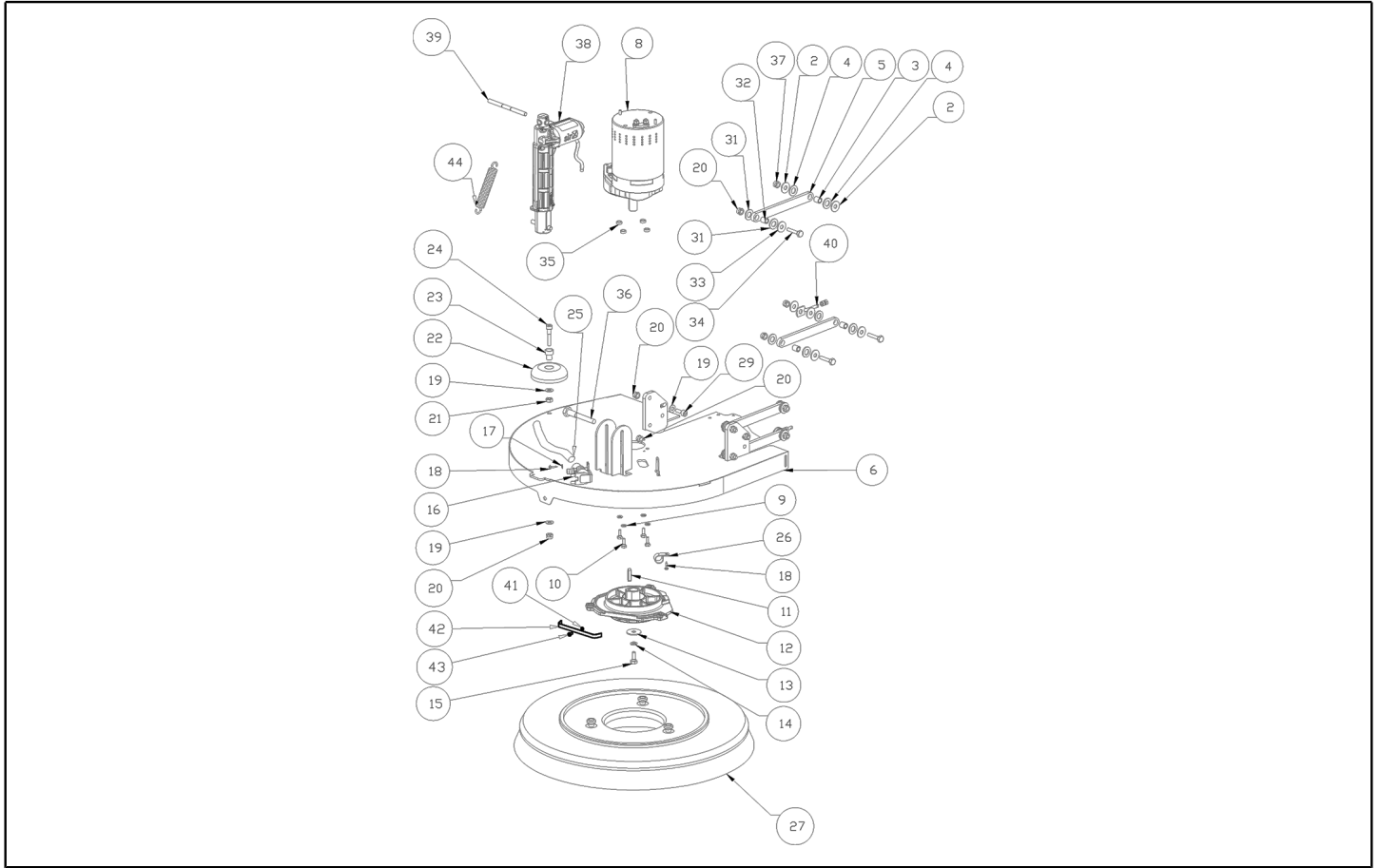


IPC

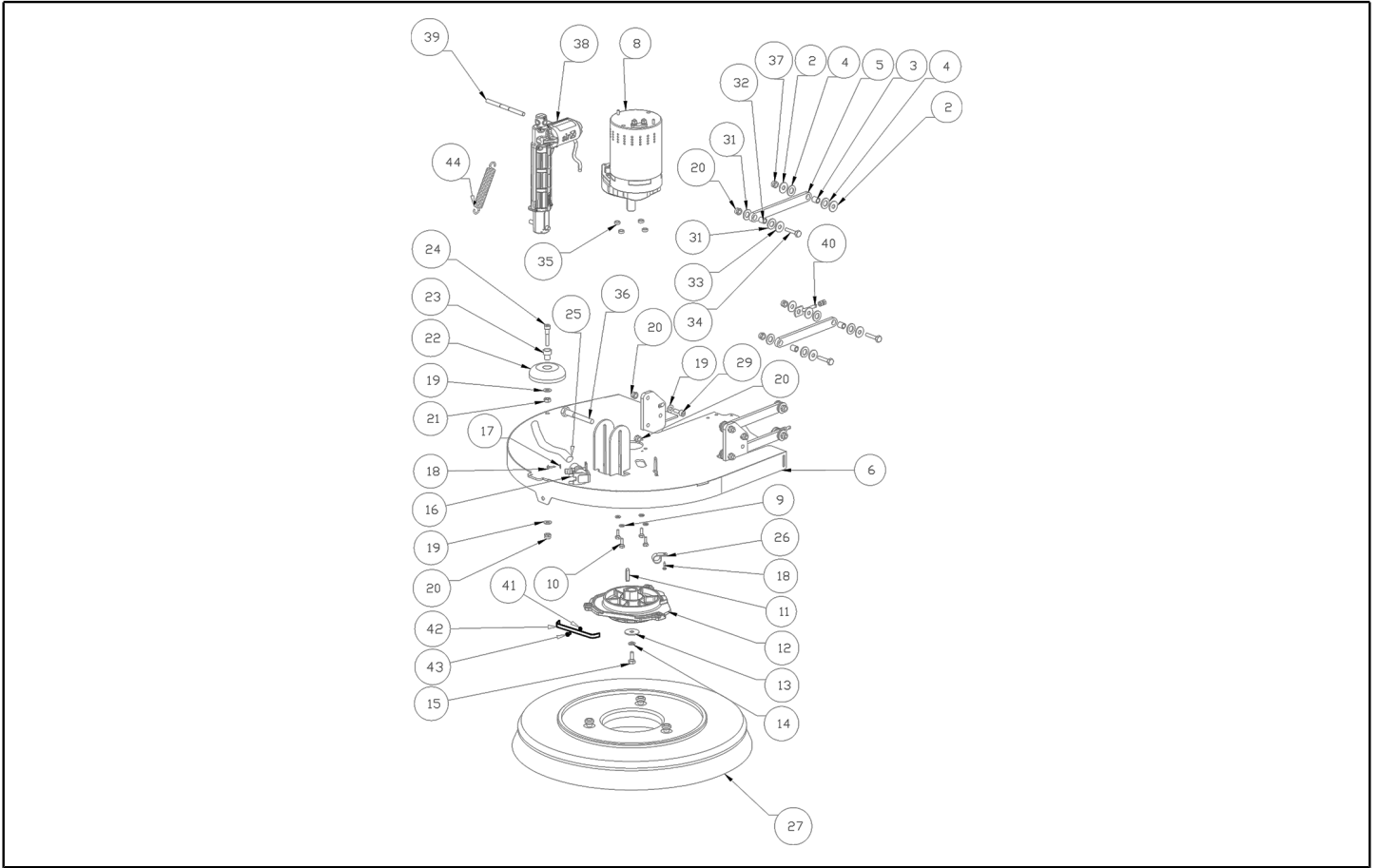
Spare parts list

Ref: LPTB02720

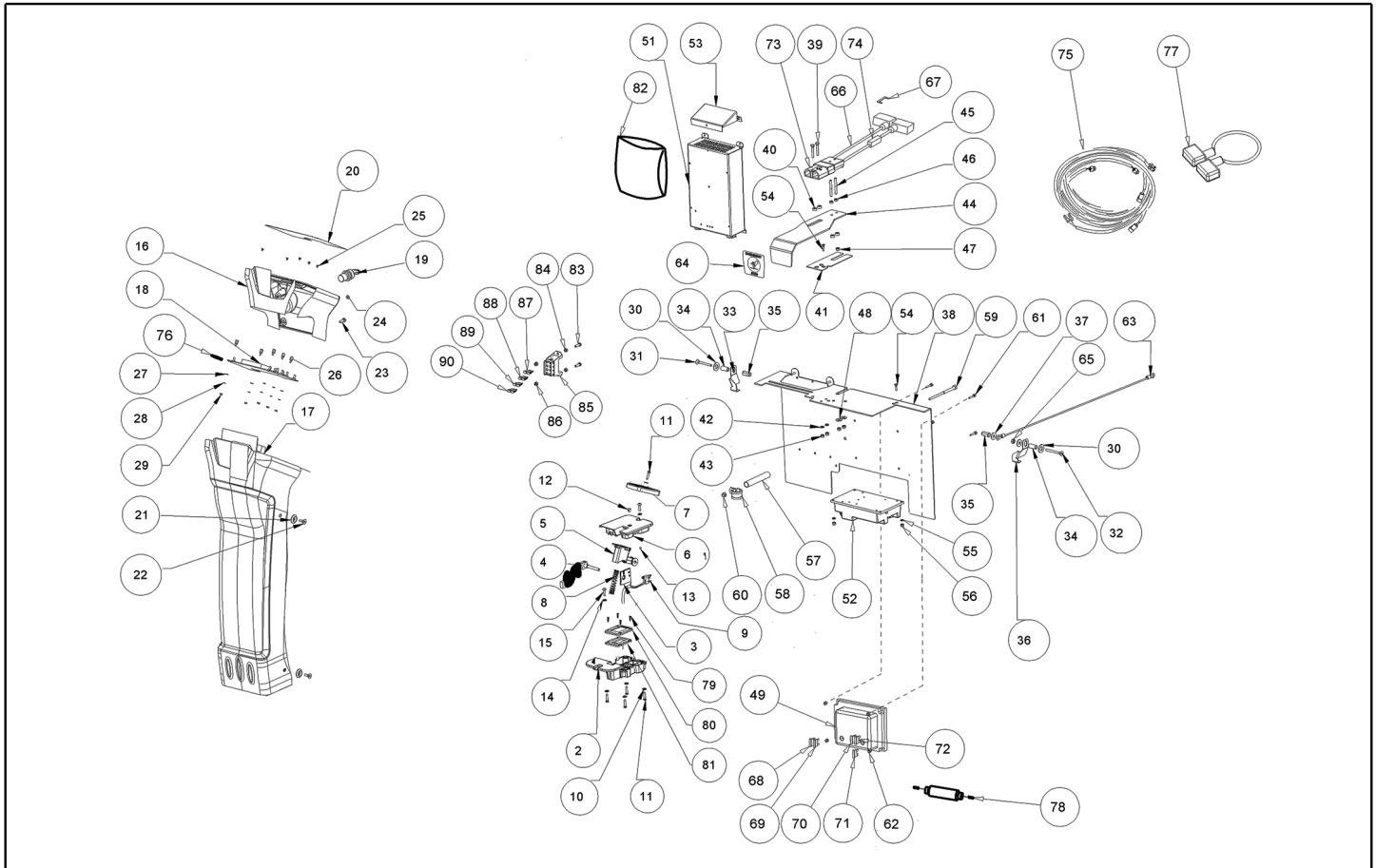
Model: FLOOR WASHER CT80 BT55+CB+BAT GR/VE



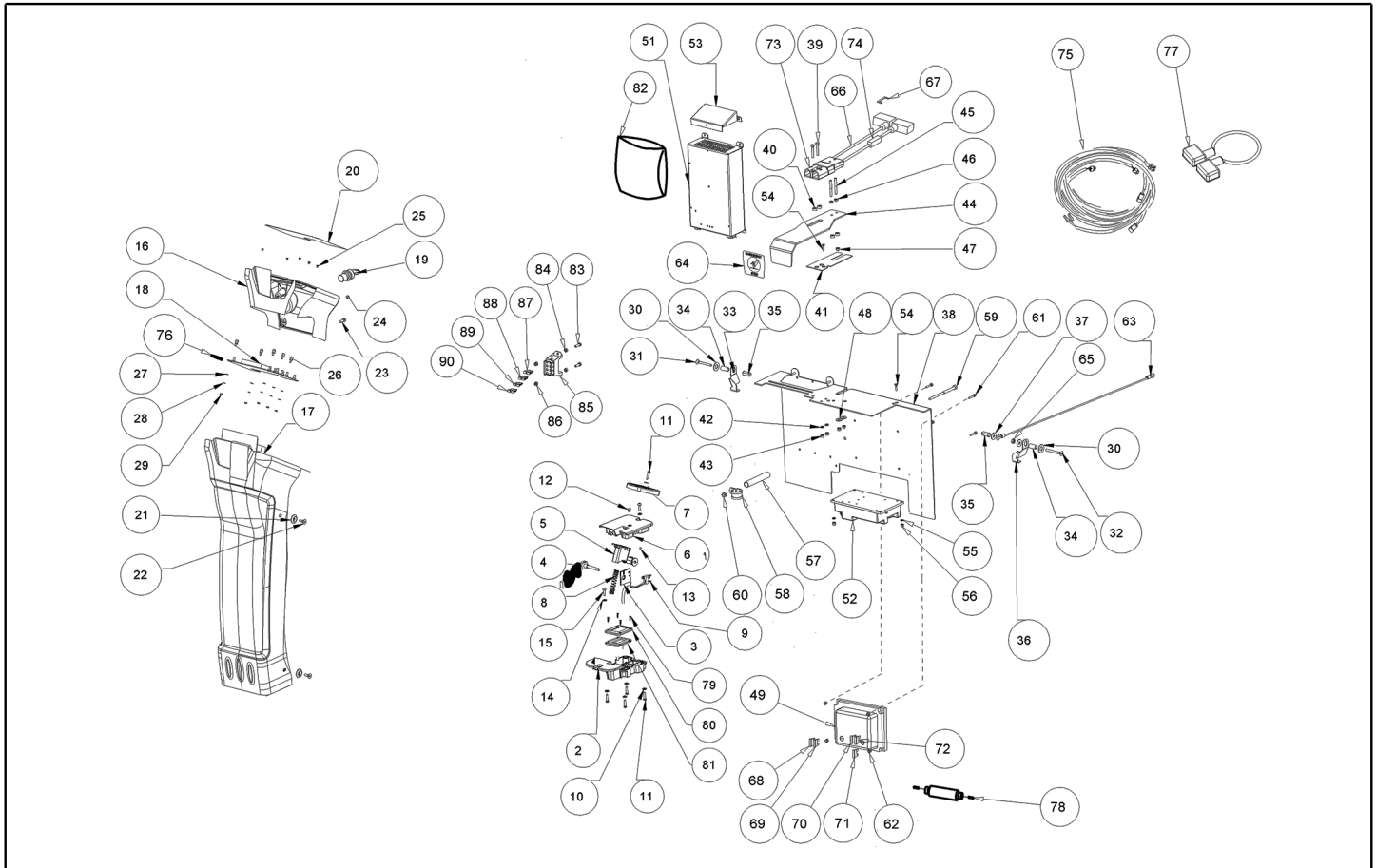
Ref. K	Part n.	Part n. 2	Description	Quantity	Validity		Price
					From	To	
0002	VTRS13946		WASHER D. 8 X24 INX UNI 6593	4,00			--
0003	LAFN04151		BUSHING X PARALLELOGRAMMA	2,00			--
0004	VTRS43258		WASHER D.13X24 X2.5 NYL UNI6592	2,00			--
0005	LAFN09298		BRACKET BRUSH HEAD CT80	4,00			--
0006	LAFN09306		PLATE -	1,00			--
0008	MOCC00431		MOTOR BRUSH COMPLETE 24V 400W	1,00			--
0008	MOCC00480		MOTOR .	1,00			--
0008	RDGR00052		REDUCTION UNIT	1,00			--
0008	MOCC00344		CARBON BRUSH 00701535	1,00			--
0009	VTRS15144		WASHER D. 6 INX GRW UNI 1751	4,00			--
0010	VTVT13939		SCREW TE 6X20 UNI5739 INX	4,00			--
0011	VTVR16617		KEY 6X 6X30 UNI 6604	1,00			--
0012	MFVR00212		DRIVE DISK ALUMINIUM	1,00		01/09/2020	--
0012	MFVR00242		DRIVE DISK CONICAL ALUMINIUM	1,00	02/09/2020	25/11/2020	--
0012	MFVR00327		DRIVE DISK CONICAL ALUM.	1,00	26/11/2020		--
0013	VTRS16323		WASHER D. 8 X32 UNI 6593 INX	1,00			--
0014	VTRS15146		WASHER GROVER A2 UNI1751	1,00			--
0015	VTVT13938		SCREW TE 8X20 UNI5739 INX	1,00			--
0016	MEEV00036		SOLENOID VALVE HOLE 8mm CLEAN TIME	1,00			--
0017	VTRS00515		WASHER D. 4 INX	2,00			--
0018	VTVT01158		SCREW M4x16	3,00			--
0019	VTRS13947		WASHER D. 8 INX UNI 6592	6,00			--
0020	VTDD01695		NUT M 8 INX	5,00			--
0021	VTDD15521		NUT M 8 INX A2 UNI 5588	1,00			--
0022	MPVR06105		WHEEL BUMPER D.80 H=22	1,00			--
0023	LAFN03915		BUSHING NUOVO RUOTINO STRONG	1,00			--
0024	VTVT06241		SCREW 8X40	1,00			--
0025	TBFX48011		HOSE FLEX D.12X3 ARMORV.PVC TR	0,80			--
0026	FSVR00099		CLAMP FERMATUBO	1,00			--
0027	SPPV01352		BRUSH D 530	1,00			--
0029	VTVT13944		SCREW TCEI M 8X20 UNI 5931 INX	2,00			--
0031	VTRS43258		WASHER D.13X24 X2.5 NYL UNI6592	8,00			--
0032	LAFN04151		BUSHING X PARALLELOGRAMMA	4,00			--
0033	VTRS13946		WASHER D. 8 X24 INX UNI 6593	4,00			--
0034	VTVT00410		SCREW TE M8x35 UNI5739 INOX	4,00			--
0035	RCDS35584		BUSHING D. 8X12X 4.3	4,00			--
0036	VTVT01209		SCREW TE M8X80	1,00			--
0037	VTDD01695		NUT M 8 INX	4,00			--
0038	MOCC00424		ACTUATOR SQUEEGEE CT80	1,00		29/07/2019	--
0038	MOCC00423		ACTUATOR BRUSH HEAD CT80	1,00	30/07/2019		--
0039	LAFN09320		PIN -	1,00			--
0040	LAFN47168		BELT-STRETCHER ALTERNATORE TK1400	2,00			--
0041	VTRS15913		WASHER D. 4 GROVER A2 UNI1751	1,00			--
0042	MLML00328		SPRING RETAINING, BRUSH DRIVER	1,00		01/09/2020	--



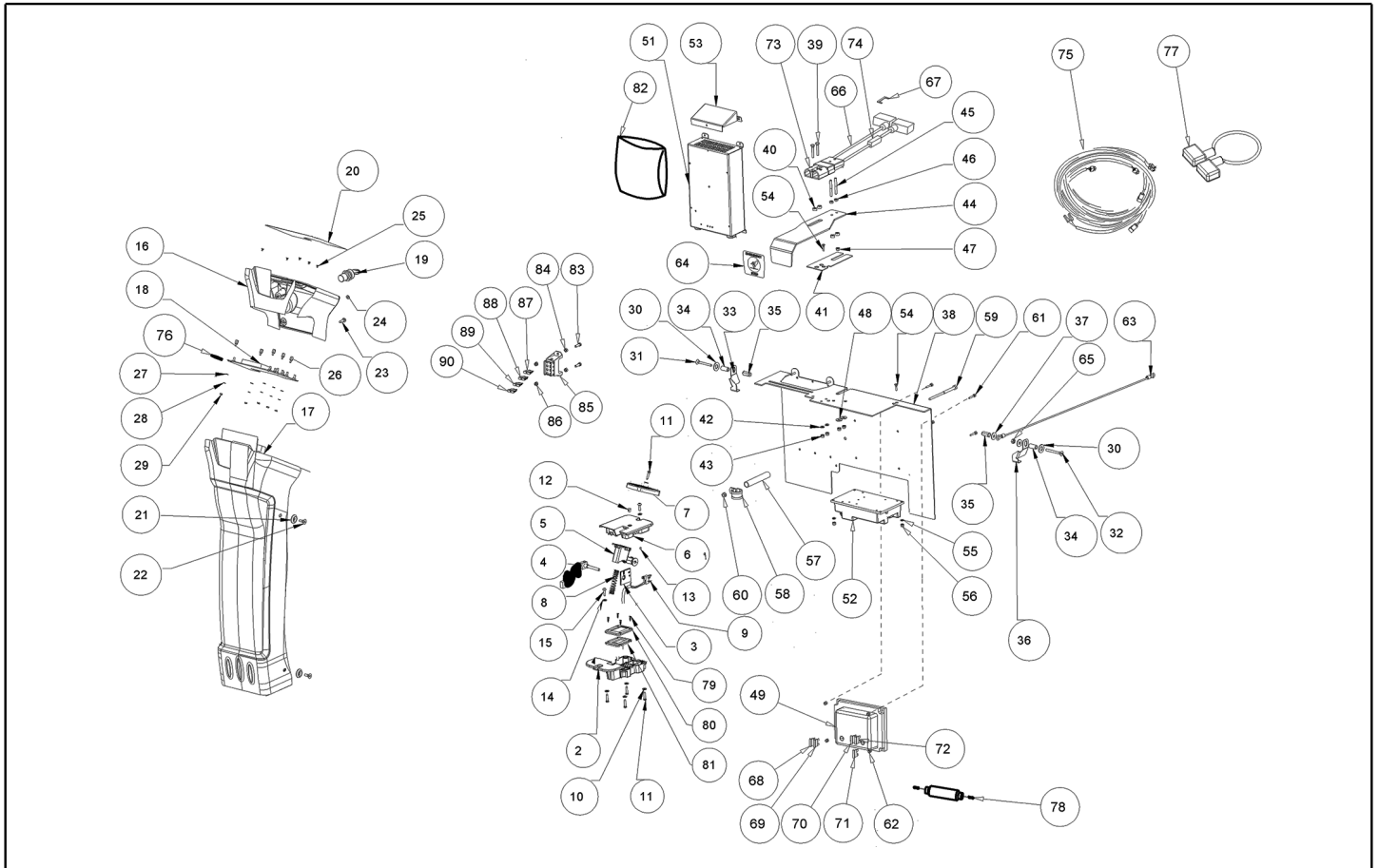
Ref. K	Part n.	Part n. 2	Description	Quantity	Validity		Price
					From	To	
0042	MLML00350		SPRING ALUM. CONICAL DRIVER	1,00	02/09/2020		--
0043	VTVT21887		SCREW TCB-TC 4X10 8112	1,00			--
0044	MLML00346		SPRING -	1,00			--



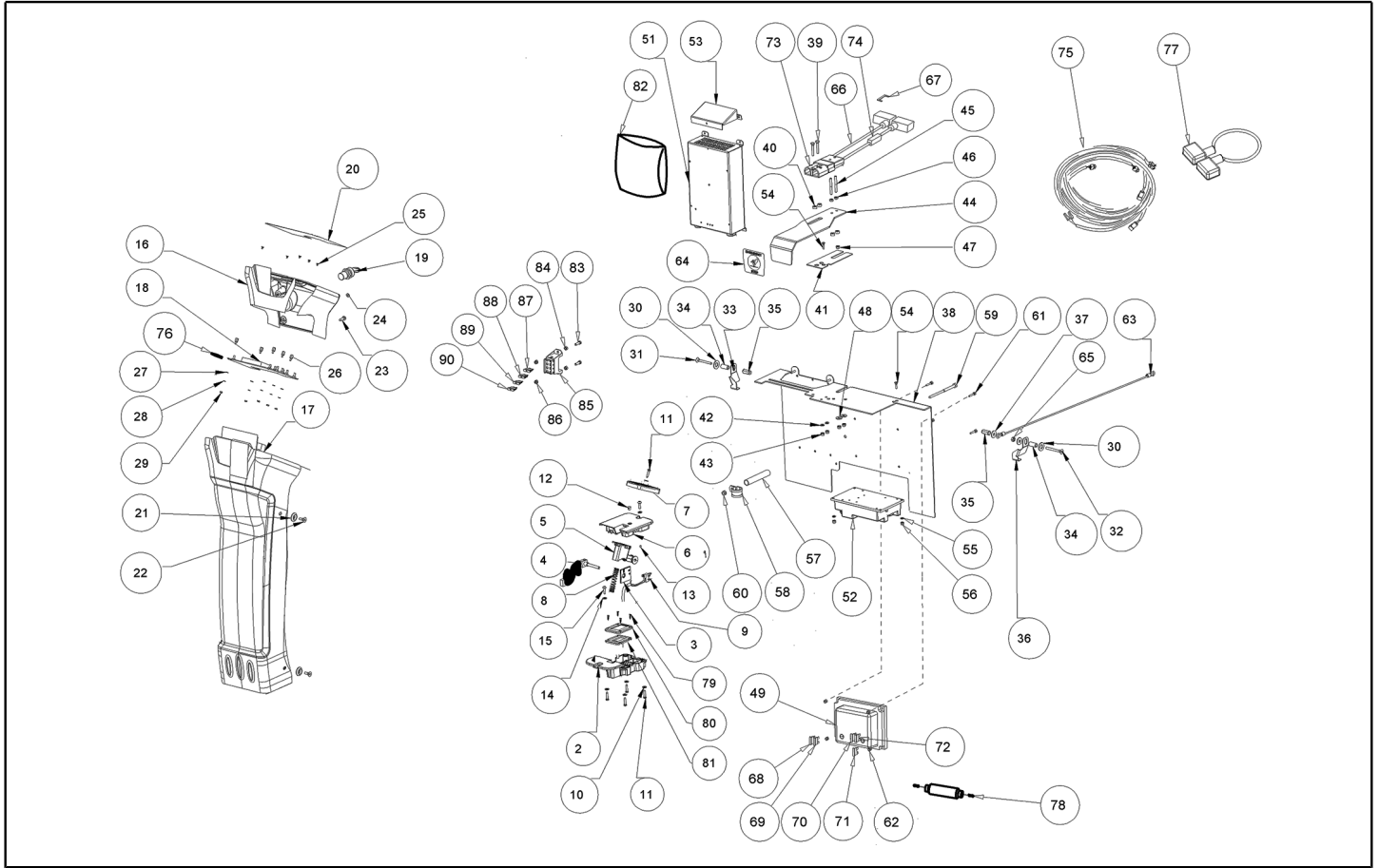
Ref. K	Part n.	Part n. 2	Description	Quantity	Validity		Price
					From	To	
0002	S	MPVR07120	BASE -	1,00		30/09/2019	--
0002		MPVR11937	BASE CT80 ACCELERATOR	1,00	01/10/2019		--
0003	S	MPVR07122	PLATE -	1,00			--
0004	S	MEVR01755	POTENTIOMETER PEDAL CT80	1,00			--
0005	S	MPVR07121	SUPPORT -	1,00		30/09/2019	--
0005		MPVR11940	SUPPORT CT80 ACCELERATOR	1,00	01/10/2019		--
0006	S	MPVR07119	COVER -	1,00		30/09/2019	--
0006		MPVR11938	COVER CT80 ACCELERATOR	1,00	01/10/2019		--
0007	S	MPVR07126	COVER -	1,00		30/09/2019	--
0007		MPVR11939	PEDAL CT80 ACCELERATOR	1,00	01/10/2019		--
0008		MLML00339	SPRING -	1,00		25/01/2017	--
0008	S	MLML00476	SPRING -	1,00	26/01/2017		--
0009	S	MECI00414	MICROSWITCH PEDAL CT80	1,00			--
0010		VTRS00516	WASHER D. 5 INX	4,00			--
0011		VTVT48694	SCREW TCB TC 5 X12 UNI 9707 TZ	4,00			--
0012		RCVR00163	CAP D.6	1,00			--
0013		VTVT01703	GRUB SCREW M4X8	1,00			--
0014		VTRS00516	WASHER D. 5 INX	1,00			--
0015		VTVT45339	SCREW TBCE ISO 7380 5X16 ZB	1,00			--
0016		MPVR07124	INSTR.PANEL -	1,00			--
0017		MPVR07123	SIDE PANEL PANEL CT80 GREEN	1,00			--
0018		MECE00589	BOARD DISPLAY CT80	1,00			--
0019		MECI75805	SWITCH KEY FOR BATTERY MACHINES	1,00			--
0020		ETET01797	LABEL -	1,00			--
0021		VTVR41809	UND.SCREW FLAN. D. 6.5-22 H4.5 NYL.NERO	4,00			--
0022		VTVT00832	SCREW TSPEI M6X16 INOX	4,00			--
0023		VTVT00787	SCREW TBEI M 6-16	2,00			--
0024		VTRS13750	WASHER D. 5X14 INX	2,00			--
0025		VTVT01377	SCREW TSP-TC M 3X5 UNI7688 INX	5,00			--
0026		VTVR00576	SPACER M3	5,00			--
0027		VTRS00268	WASHER D.3	5,00		09/11/2016	--
0028		VTRS21116	WASHER D. 3 INX	5,00			--
0029		VTDD21115	NUT M 3 INOX	5,00		09/11/2016	--
0029		VTDD00210	NUT M 3 AUTOBL.DIN 985 IX.A2	5,00	10/11/2016		--
0030		VTRS15523	WASHER D.10 X21 INOX UNI 6592	2,00			--
0031		VTVT26818	SCREW M6x45 TSPEI UNI5933	1,00			--
0032		VTVT30247	SCREW TSPEI M 6X 50 UNI 5933	1,00			--
0033		LAFN09398	BRACKET -	1,00			--
0034		MPVR07165	SPACER -	2,00			--
0035		VTVR00556	RIVET -	2,00			--
0036		LAFN09399	BRACKET -	1,00			--
0037		VTRS00245	WASHER D.6 UNI 6592 INOX	1,00			--
0038		LAFN09322	SUPPORT ELECTRONICS+CHARGER	1,00			--
0039		VTVT00423	SCREW TE M 5X 30 UNI 5739	2,00			--



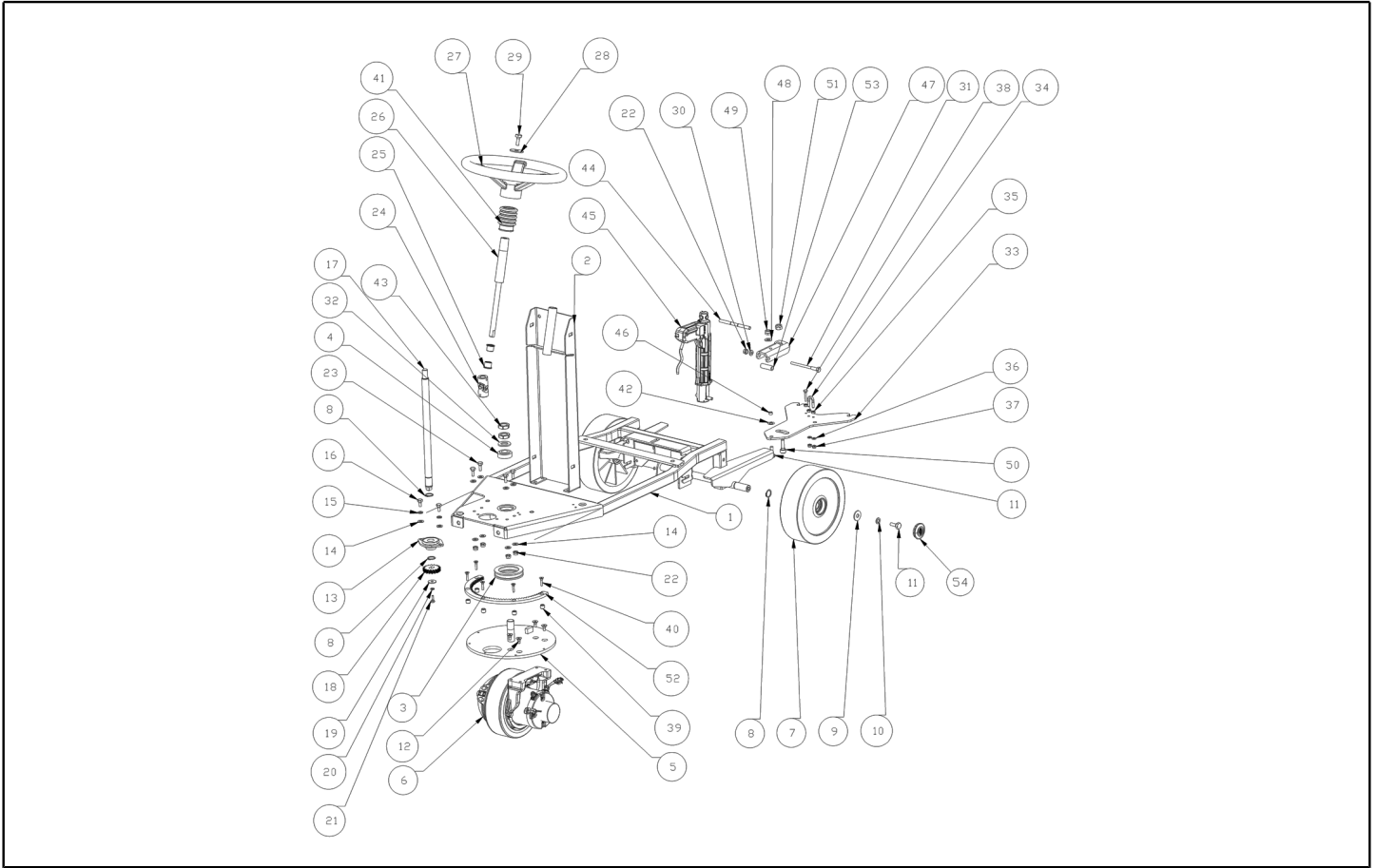
Ref. K	Part n.	Part n. 2	Description	Quantity	Validity		Price
					From	To	
0040	MPVR07164		SPACER -	2,00			--
0041	MPVR07141		PLATE -	1,00			--
0042	VTRS00516		WASHER D. 5 INX	2,00			--
0043	VTDD01693		NUT M 5 INX	2,00			--
0044	LAFN09321		LEVER -	1,00			--
0045	LAFN09350		PIN -	2,00			--
0046	VTDD07727		NUT M 5 INOX	2,00			--
0048	VTRS13750		WASHER D. 5X14 INX	2,00			--
0049	S MECE00588		BOARD POWER SERVICE CT80	1,00		28/01/2016	--
0049	MECE00738		BOARD POWER SERVICE CT80	1,00	29/01/2016		--
0051	BACA00178		BATTERY-CHARGER NE284 24V 15A GEL-AGM-AC.	1,00			--
0052	MECE00590		BOARD TRACTION CT80BT55 ITALSEA	1,00			--
0053	LAFN09326		CONVEYOR -	1,00			--
0054	VTVT16939		SCREW M 4X 16 TSPEI UNI 5933	2,00			--
0055	VTRS00515		WASHER D. 4 INX	2,00			--
0056	VTDD00055		NUT M 4 ATB A2	2,00			--
0057	LAFN09323		HOSE -	1,00			--
0058	MEVR02096		FAIR-LEAD D.22 F.8.5 Inox430.	1,00			--
0059	VTVT00414		SCREW TE M6x100 UNI5739	1,00			--
0060	VTDD01694		NUT M6 INOX	1,00			--
0061	VTVT00704		SCREW TE M 4X 16 UNI5739 INOX	4,00			--
0062	VTDD15925		NUT M 4 INX+ZN	4,00			--
0063	CMCV00469		CABLE CT80	1,00		08/06/2016	--
0063	CMCV00471		CABLE CT80	1,00	09/06/2016		--
0064	ETET01825		LABEL -	1,00			--
0065	VTDD00053		NUT M6 INOX UNI5589	1,00			--
0066	KTRIO2290		CABLE BATTERY-ANDERSON+FUS.CT80	1,00			--
0067	MEVR32087		FUSE 100A NST.	1,00			--
0068	MEVR01136		FUSE 30A	1,00		28/01/2016	--
0068	MEVR00644		FUSE MAXIVAL 30A	1,00	29/01/2016		--
0069	MEVR01136		FUSE 30A	1,00		28/01/2016	--
0069	MEVR00644		FUSE MAXIVAL 30A	1,00	29/01/2016		--
0070	MEVR01132		FUSE A LAMA 5 A.	1,00			--
0071	MEVR01136		FUSE 30A	1,00		28/01/2016	--
0071	MEVR00644		FUSE MAXIVAL 30A	1,00	29/01/2016		--
0072	MEVR01132		FUSE A LAMA 5 A.	1,00			--
0073	MEVR01621		PLUG ANDERSON SB120 RED	1,00			--
0074	MEVR31036		FUSE-HOLDER	1,00			--
0075	MECB01393		WIRING CT80 APC	1,00		18/01/2021	--
0075	MECB02210		WIRING .	1,00	19/01/2021		--
0076	MEVR02097		SD-CARD -	1,00			--
0077	MEVR34820		WIRING BATTERY BRIDGE W/TERMINAL	1,00			--
0078	MECB01908		WIRING DIODE FILTER	1,00	09/11/2015		--
0079	VTVT01594		SCREW VITE TSPC 3x12	4,00	01/10/2019		--



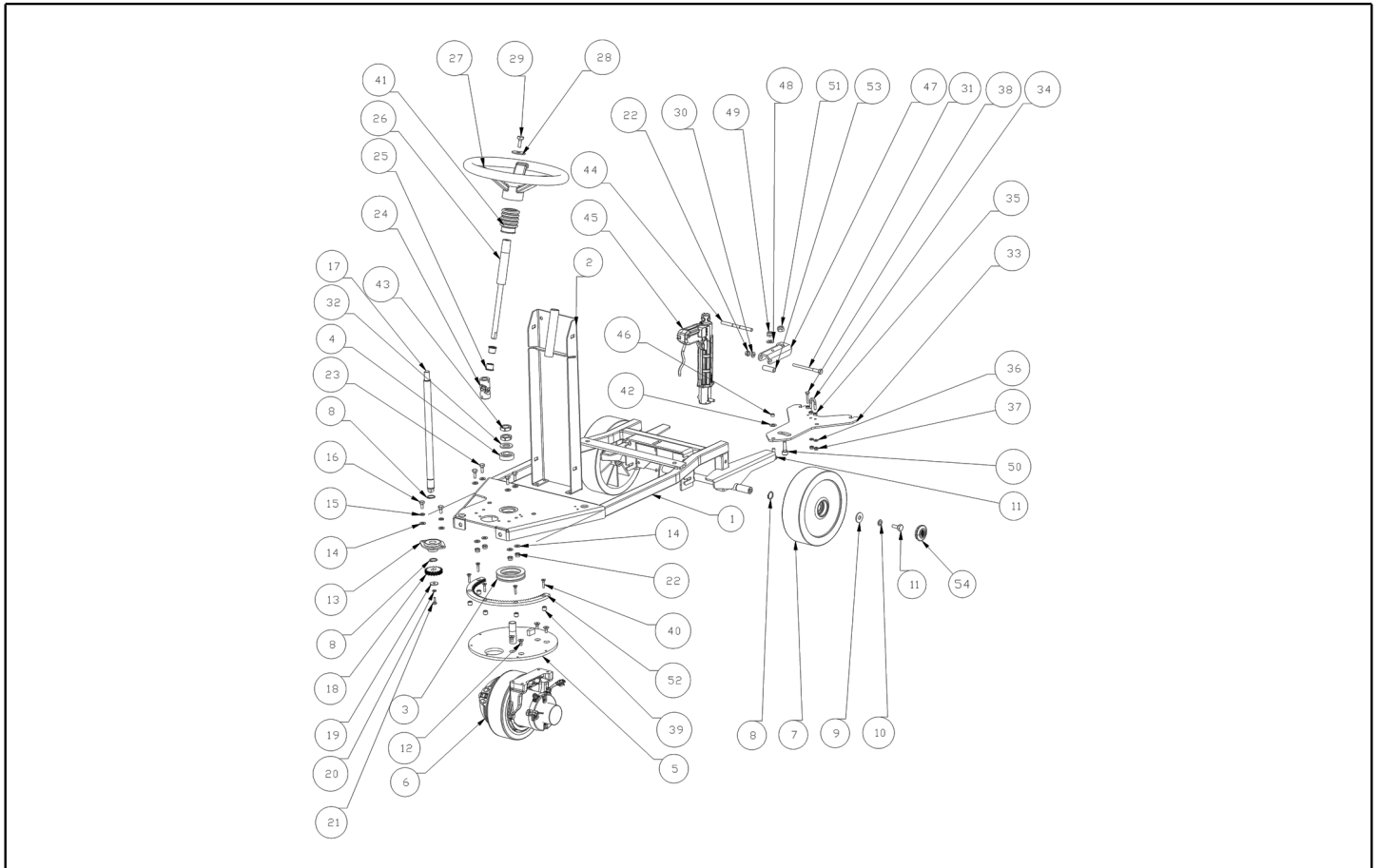
Ref. K	Part n.	Part n. 2	Description	Quantity	Validity		Price
					From	To	
0080	MPVR11928		GASKET BRAKE PEDAL CT80	1,00	01/10/2019	--	--
0081	MPVR11933		GASKET CT80 ACCELERATOR	1,00	01/10/2019	--	--
0082	MPVR02838		BAG CHARGER POWER CORD	1,00		--	--
0083	VTVT07725		SCREW TE 5X16 UNI5739 INX	2,00	19/01/2021	--	--
0084	VTDD07727		NUT M 5 INOX	2,00	19/01/2021	--	--
0085	MEVR02666		FUSE CARRIER DIN	1,00	19/01/2021	--	--
0086	VTDD01693		NUT M 5 INX	2,00	19/01/2021	--	--
0087	MEVR01132		FUSE A LAMA 5 A.	1,00	19/01/2021	--	--
0088	MEVR01132		FUSE A LAMA 5 A.	1,00	19/01/2021	--	--
0089	MEVR00584		FUSE 3A	1,00	19/01/2021	--	--
0090	MEVR00584		FUSE 3A	1,00	19/01/2021	--	--



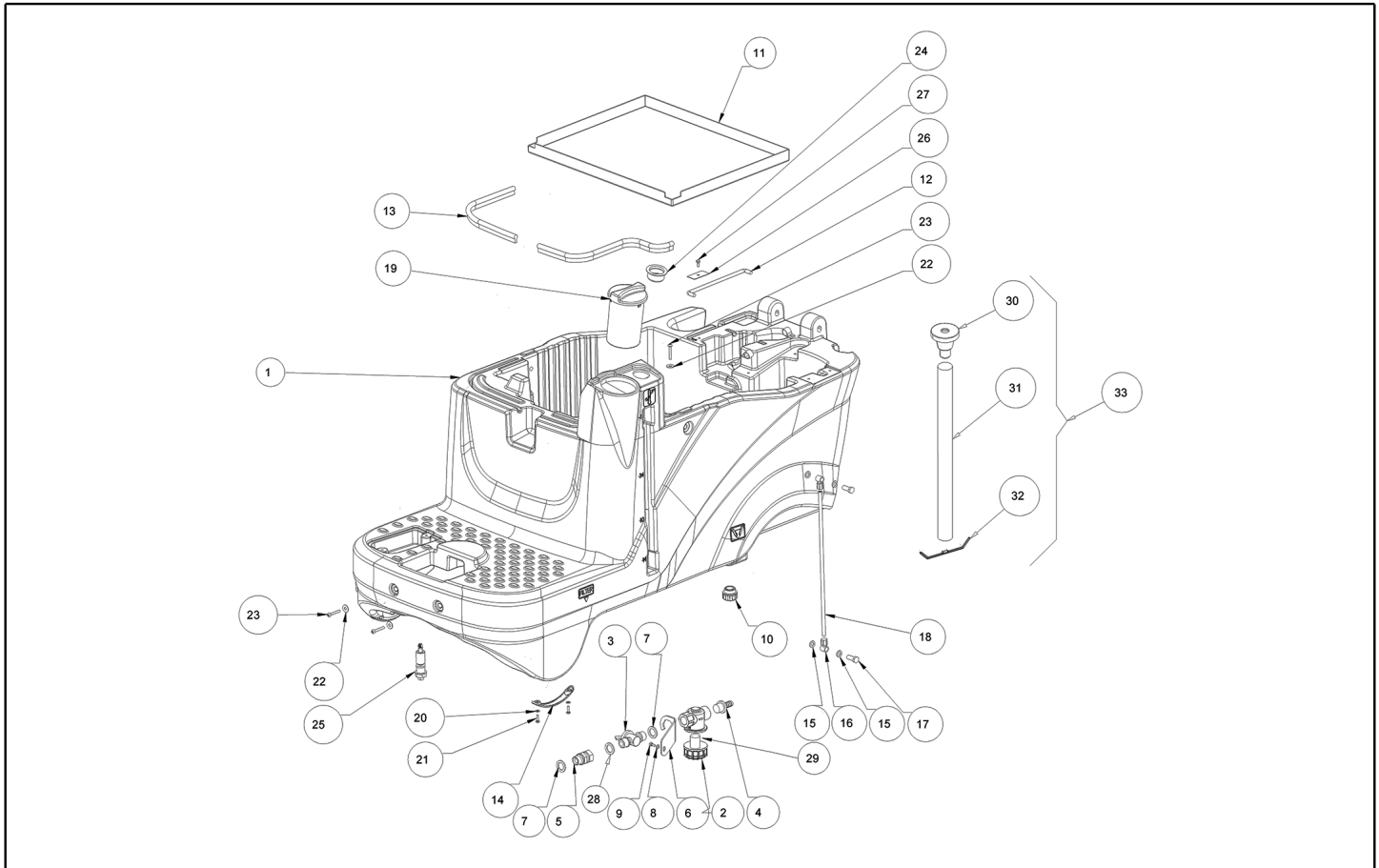
Ref. Part n.	Part n. 2	Description	Reference	Price
KTRI02313		KIT POWER BOARD CT80	0049	--
PMVR01531		ACCELERATOR COMPLETE CT80	0002 0003 0008 0009 0004 0005 0006 0007	--



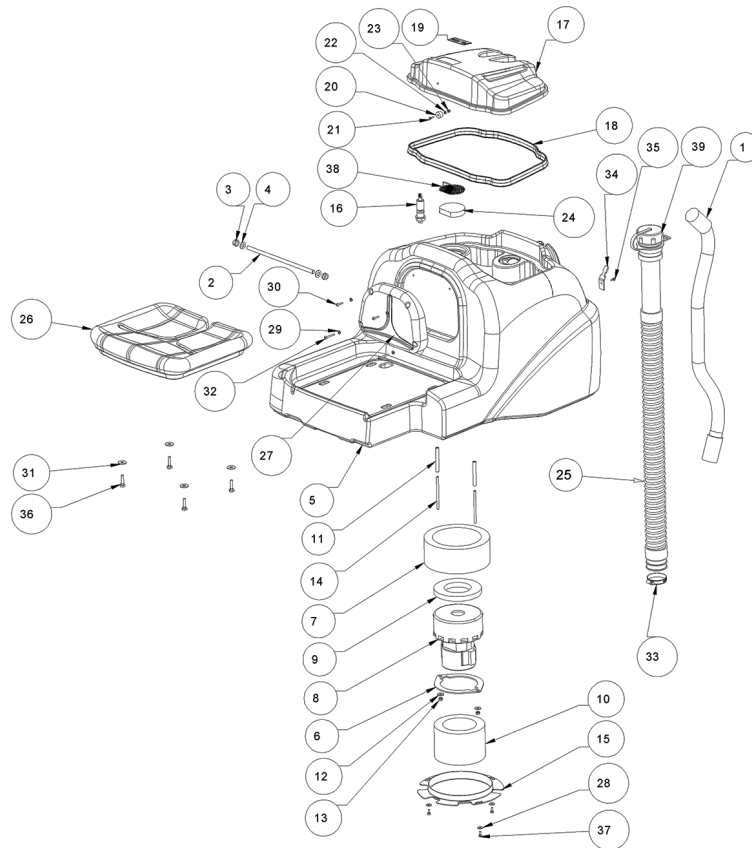
Ref. K	Part n.	Part n. 2	Description	Quantity	Validity		Price
					From	To	
0001	LAFN09292		FRAME -	1,00			--
0002	LAFN09373		UP STEERING -	1,00		13/04/2017	--
0002	LAFN11171		UP STEERING CT80	1,00	14/04/2017		--
0003	CUVR75816		BEARING 51112	1,00			--
0004	CUVR00094		BEARING 32004 TIPO SKF	1,00			--
0005	LAFN09293		PLATE -	1,00			--
0006	MOCC00433		MOTOR ELECTRICAL 24V 300W	1,00			--
0007	RTRT00547		WHEEL D.225x65 PU	2,00			--
0008	VTAE06193		CIRCLIP D. 20 UNI 7435	2,00			--
0009	VTRS15524		WASHER D.10	2,00			--
0010	VTRS15909		WASHER D.10	2,00			--
0011	VTVT03640		SCREW TE 10X25 UNI5740	2,00			--
0012	VTVT00790		SCREW TSPEI M8X16	4,00			--
0013	CUVR00105		BEARING SB204KDF+PFL204PTN	1,00			--
0014	VTRS13947		WASHER D. 8 INX UNI 6592	2,00			--
0015	VTRS15146		WASHER GROVER A2 UNI1751	2,00			--
0016	VTVT15916		SCREW TE M 8X 16 UNI 5739 A2	2,00			--
0017	LAFN09294		SHAFT -	1,00			--
0018	LAFN06377		PINION STEERING	1,00			--
0019	VTRS16937		WASHER 6x24 INOX UNI 6593	1,00			--
0020	VTRS15144		WASHER D. 6 INX GRW UNI 1751	1,00			--
0021	VTVT15143		SCREW TE 6X16 UNI5739	1,00			--
0022	VTDD01695		NUT M 8 INX	4,00			--
0023	VTVT13938		SCREW TE 8X20 UNI5739 INX	4,00			--
0024	VTVR00057		ARTICULATION STEERING	1,00			--
0025	LAFN75841		BUSHING CENTR.PIGNONE RUOTA ANT.	2,00			--
0026	ALTR00097		SHAFT STEERING CT80	1,00			--
0027	MPVR47027		STEERING WHEEL D.320 SENZA POMELLO	1,00			--
0028	VTRS44254		WASHER UNI 6593 10X40X2,5 ZB	1,00			--
0029	VTVT00455		SCREW TE 10X20 UNI5739	1,00			--
0030	VTRS00274		WASHER NYLON 66 D.8,4-17-2 UNI	2,00			--
0031	VTVT01677		SCREW TE M 8X100	1,00			--
0032	VTRS00019		WASHER UNI 6592 FORO 20 INOX	1,00			--
0033	LAFN09328		DISTRIBUTOR 60	1,00		04/06/2015	--
0033	LAFN08156		SHEET METAL PA. -	1,00	05/06/2015		--
0034	LAFN09231		BRACKET M6X11X29	1,00			--
0035	VTDD15520		NUT M 6 A2 UNI 5588 INX	2,00			--
0036	VTRS00245		WASHER D.6 UNI 6592 INOX	2,00			--
0037	VTDD01694		NUT M6 INOX	2,00			--
0038	VTVT13939		SCREW TE 6X20 UNI5739 INX	1,00			--
0039	LAFN06844		SPACER CORONA	5,00			--
0040	VTVT25909		SCREW M 6X 25 TSPEI UNI 5933	5,00			--
0041	MPVR51068		PROTECTOR STEERING	0,50			--
0042	MLML34767		SPRING D.10.2 X20	1,00			--



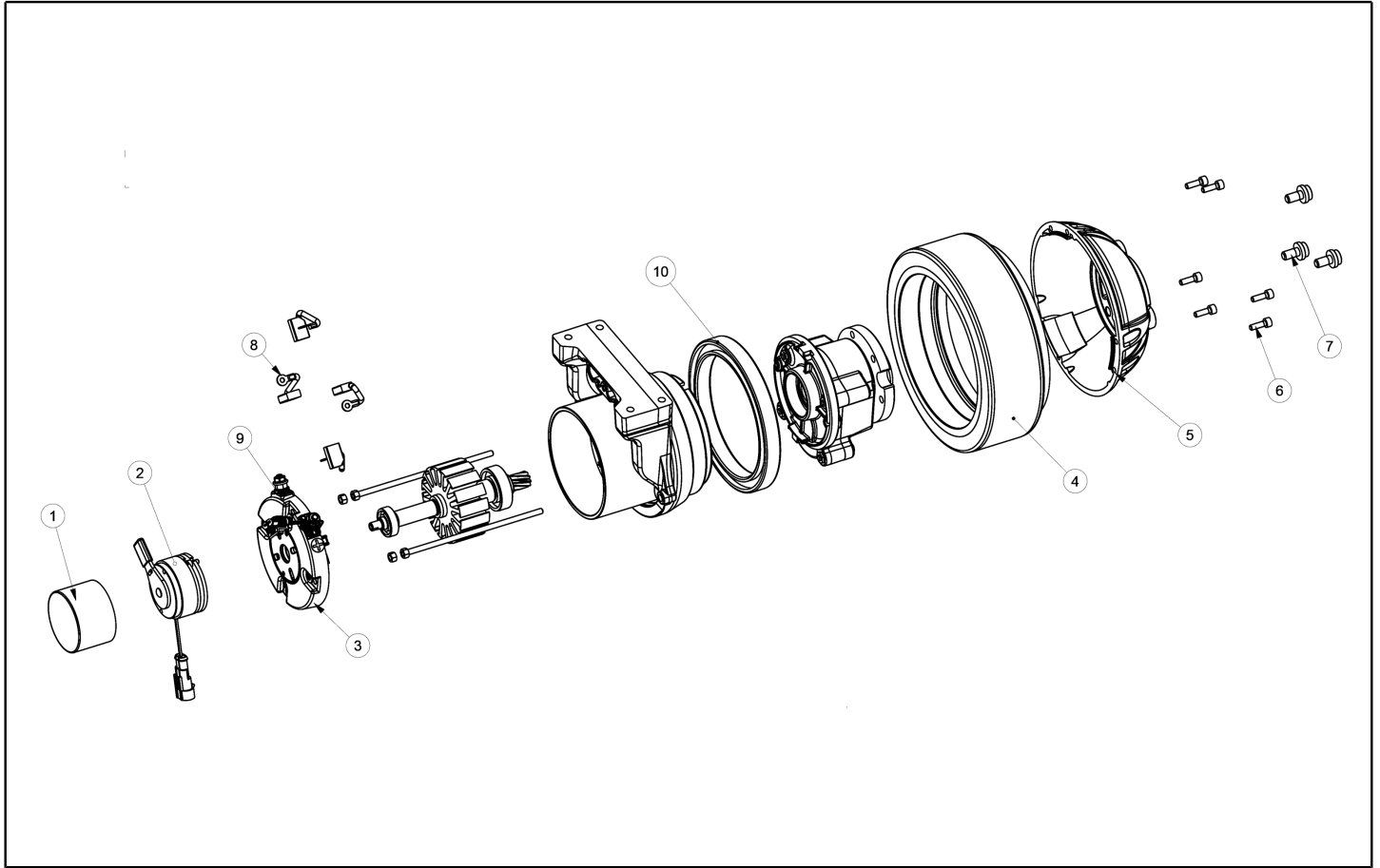
Ref. K	Part n.	Part n. 2	Description	Quantity	Validity		Price
					From	To	
0043	VTDD00524		NUT M20x1,5 UNI 5589	2,00			--
0044	LAFN09320		PIN -	1,00			--
0045	MOCC00424		ACTUATOR SQUEEGEE CT80	1,00			--
0046	LAFN09407		SPACER -	1,00			--
0047	LAFN09406		SUPPORT SQUEEGEE CT80	1,00		21/09/2015	--
0047	LAFN08233		SUPPORT CT80	1,00	22/09/2015		--
0048	VTRS13947		WASHER D. 8 INX UNI 6592	1,00			--
0049	VTDD01695		NUT M 8 INX	1,00			--
0050	VTVT00307		SCREW TCEI M10X30	1,00			--
0051	VTDD15519		NUT M10 INOX	1,00			--
0052	LAFN09409		RING GEAR STEERING	1,00			--
0053	MPVR06421		SPACER -	1,00			--
0054	MPVR05951		CAP G48 FOR WHEEL	2,00			--



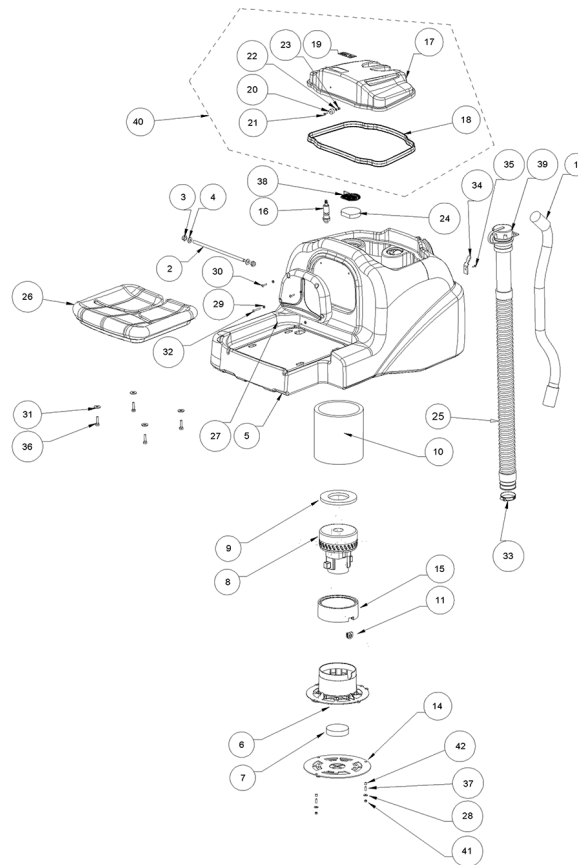
Ref. K	Part n.	Part n. 2	Description	Quantity	Validity		Price
					From	To	
0001	MPVR07117		TANK SOLUTION CT80 GRAY	1,00			--
0002	FTAC00045		FILTER SOLUTION CT80 COMPLETE	1,00			--
0003	RCGR00078		VALVE TAP SOLUTION TANK	1,00			--
0004	RCVR00514		CONNECTOR 1/2 M RESCA 15	1,00			--
0005	RCVR00594		CONNECTOR 1/2" M/F	1,00			--
0006	LAFN09393		BRACKET FILTER SUPPORT CT80	1,00			--
0007	VTRS00567		WASHER 1/2	2,00			--
0008	VTRS13750		WASHER D. 5X14 INX	1,00			--
0009	VTVT01300		SCREW TE M5X12 INOX	1,00			--
0010	MPVR07073		CAP SOLUTION TANK CT110	1,00		25/10/2016	--
0010	MPVR10773		CAP 3/4"	1,00	26/10/2016		--
0011	MPVR07131		CONTAINER BATTERY CT80	1,00			--
0012	LAFN09401		PIN SAFETY REC.TANK CT80	1,00			--
0013	GUVR00288		GASKET N052 S1007	0,80			--
0014	MPVR06102		PROTECTION SOLUTION TANK	2,00			--
0015	GUGO40012		GASKET D. 9- 16 X 2 VITON	4,00		11/02/2015	--
0015	GUGO00461		GASKET NBR	4,00	12/02/2015		--
0016	RCVR40127		CONNECTOR 1/8" D. 6/ 8 NIK	2,00			--
0017	RCVR40079		SCREW G 1/8 L= 28	2,00			--
0018	TBBP15347		L.P. HOSE D. 6- 8 RILSAN NT.	0,37			--
0019	MPVR07127		CAP SOLUTION DOSER	1,00		04/05/2017	--
0019	MPVR11497		CAP SOLUTION TANK	1,00	05/05/2017		--
0020	VTRS00516		WASHER D. 5 INX	4,00			--
0021	VTVT00805		SCREW TBEI M. 5-10	4,00			--
0022	VTRS13946		WASHER D. 8 X24 INX UNI 6593	2,00			--
0023	VTVT00410		SCREW TE M8x35 UNI5739 INOX	2,00			--
0024	MPVR06399		CAP -	1,00			--
0025	MECI00533		SENSOR VS303-51N	1,00			--
0026	LAFN09408		FLANGE FOR SAFETY PIN	1,00			--
0027	VTVT01300		SCREW TE M5X12 INOX	1,00		16/05/2018	--
0027	VTVT01317		SCREW M 5X 12 TSPEI UNI 5933	1,00	17/05/2018		--
0028	GUGO01054		O-RING D. 15.08 X 2.62 NBR 70SH	1,00	30/01/2015		--
0029	LAFN11037		MESH FOR FILTER FTAC00045	1,00			--
0030	MPVR06404		JOINT -	1,00			--
0031	TBFX00375		TUBE -	0,90			--
0032	MPVR08038		PLATE CT15-30	1,00			--
0033	KTRI02248		KIT .	1,00			--



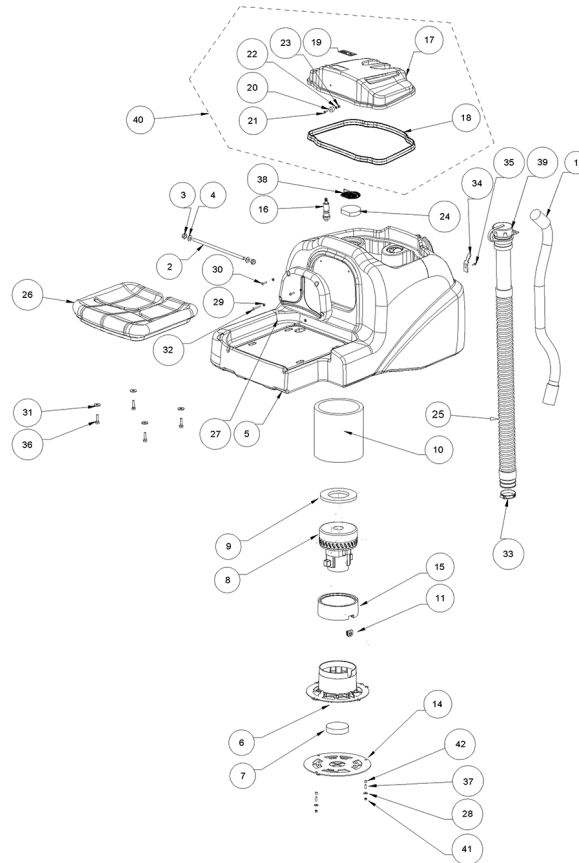
Ref. K	Part n.	Part n. 2	Description	Quantity	Validity		Price
					From	To	
0001	KTRI04702		KIT REPLACEMENT TBBP00512	1,00			--
0002	LAFN09389		PIN -	1,00			--
0003	VTDD10310		NUT AUTOBL.M10 INOX DIN 985	2,00			--
0004	VTRS15523		WASHER D.10 X21 INOX UNI 6592	2,00			--
0005	MPVR07116		TANK RECOVERY CT80 GREEN	1,00			--
0006	LAFN09352		FLANGE -	1,00			--
0007	ITSO00071		INSULATOR -	1,00			--
0008	MOCC00417		MOTOR VACUUM 24 2-STAGES	1,00			--
0009	GUGO00272		GASKET VACUUM MOTOR CT	1,00			--
0010	ITSO00072		INSULATOR -	1,00			--
0011	LAFN51078		SPACER SH	2,00			--
0012	VTRS13945		WASHER D. 6X18 INX UNI 6593	2,00			--
0013	VTDD01694		NUT M6 INOX	2,00			--
0014	VTVR00198		ROD	2,00			--
0015	MPVR07125		COVER -	1,00			--
0016	MECI00533		SENSOR VS303-51N	1,00			--
0017	MPVR07118		COVER -	1,00			--
0018	GUGO00322		GASKET CT80 TANK LID	1,00			--
0019	ETET01824		LABEL -	1,00			--
0020	MPVR06400		CAP -	1,00			--
0021	VTVT00056		SCREW TSCE 4X12 ACCIAIO INOX	1,00			--
0022	VTRS00515		WASHER D. 4 INX	1,00			--
0023	VTDD00055		NUT M 4 ATB A2	1,00			--
0024	FTDP00232		FILTER VACUUM MOT. CT80	1,00			--
0025	TBBP00513		HOSE DRAIN RECOVERY TANK CT80	1,00			--
0026	SESD86493		DISTRIBUTOR 60	1,00		17/07/2018	--
0026	SESD86494		SEAT SENSOR REED CT80	1,00	18/07/2018		--
0027	MPVR07132		BACKREST CT80	1,00			--
0028	VTRS13750		WASHER D. 5X14 INX	3,00			--
0029	VTRS00516		WASHER D. 5 INX	4,00			--
0030	VTVT00852		SCREW TBEI M 5X 20 ISO 7380 IX	2,00			--
0031	VTRS13946		WASHER D. 8 X24 INX UNI 6593	4,00			--
0032	VTVT01207		SCREW TBEI 5X35	2,00			--
0033	FSVR00033		CLAMP 45-60	1,00			--
0034	LAFN09400		HOOK DRAIN HOSE CT80	1,00			--
0035	VTVT21096		SCREW TE M 4X 10 INX	1,00			--
0036	VTVT13937		SCREW TE M 8X 30 INX UNI 5739	4,00			--
0037	VTVT01300		SCREW TE M5X12 INOX	3,00			--
0038	LAFN09353		MESH -	1,00			--
0039	KTRI01980		KIT CAP DRAIN HOSE	1,00			--



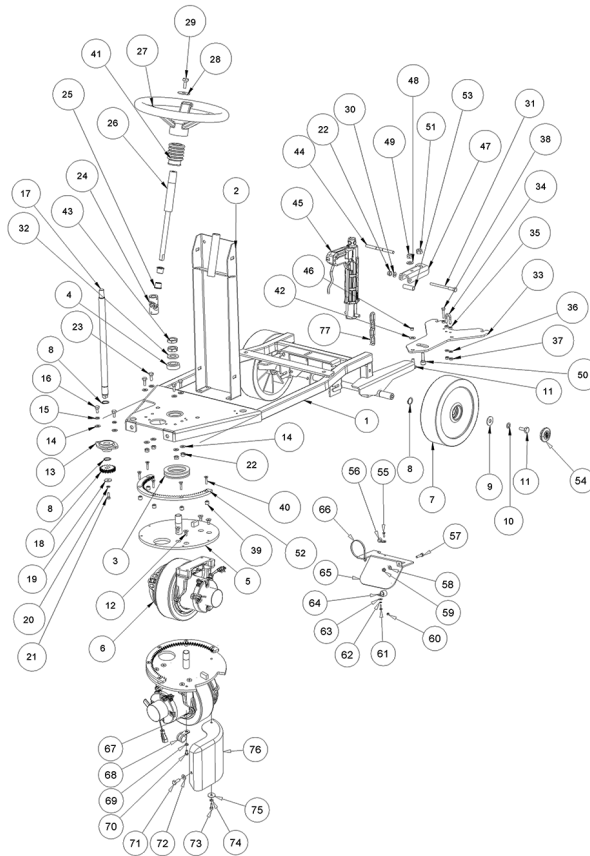
Ref. K	Part n.	Part n. 2	Description	Quantity	Validity		Price
					From	To	
0001	MPVR06463		COVER ELECTROBRAKE CT80	1,00			--
0002	MEVR01757		BRAKE TRACTION MOTORWHEEL CT80	1,00			--
0003	KTRI02294		KIT CARBONS SUPPORT CT80	1,00			--
0004	RTRT00552		WHEEL PU FOR TRACTION CT80	1,00			--
0005	MPVR06464		COVER MOTORWHEEL CT80	1,00			--
0006	VTVT01552		SCREW .	6,00			--
0007	VTVT01551		SCREW .	3,00			--
0008	MEVR34441		BRUSH CARBON CC7X14X19 200/400W	4,00			--
0009	MEVR02387		SENSOR THERMAL MOCC00433	1,00			--
0010	CUVR00220		BEARING TRACTION MOTORWHEEL CT80	1,00			--



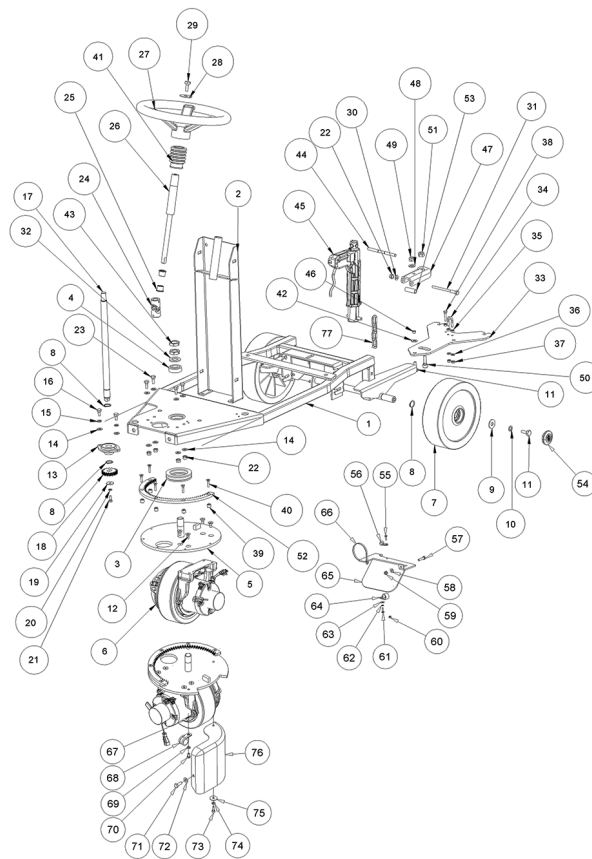
Ref. K	Part n.	Part n. 2	Description	Quantity	Validity		Price
					From	To	
0001	KTRI04702		KIT REPLACEMENT TBBP00512	1,00			--
0002	LAFN09389		PIN -	1,00			--
0003	VTDD10310		NUT AUTOBL.M10 INOX DIN 985	2,00			--
0004	VTRS15523		WASHER D.10 X21 INOX UNI 6592	2,00			--
0005	MPVR07116		TANK RECOVERY CT80 GREEN	1,00			--
0006	MPVR10561		BAFFLE -	1,00		16/04/2024	--
0006	MPVR13523		BAFFLE .	1,00	17/04/2024		--
0007	FTAC00072		FILTER VACUUM INTAKE CT51	1,00		31/07/2018	--
0008	MOCC00417		MOTOR VACUUM 24 2-STAGES	1,00		17/06/2020	--
0008	MOCC00349		MOTOR VACUUM 2 STAGES 24V	1,00	18/06/2020		--
0009	GUGO00497		GASKET Ø140XØ80X10	1,00			--
0010	ITSO00105		INSULATOR -	1,00			--
0011	GUGO00496		FAIR-LEAD 14-747	1,00		31/08/2023	--
0014	LAFN11070		FLANGE -	1,00			--
0015	GUGO00466		GASKET RUBBER VACUUM MOT. CT51	1,00		31/08/2023	--
0015	GUGO00733		GASKET -	1,00	01/09/2023		--
0016	MECI00533		SENSOR VS303-51N	1,00			--
0017	MPVR07118		COVER -	1,00			--
0018	GUGO00322		GASKET CT80 TANK LID	1,00			--
0019	ETET01824		LABEL -	1,00			--
0020	MPVR06400		CAP -	1,00			--
0021	VTVT00056		SCREW TSCE 4X12 ACCIAIO INOX	1,00			--
0022	VTRS00515		WASHER D. 4 INX	1,00			--
0023	VTDD00055		NUT M 4 ATB A2	1,00			--
0024	FTDP00232		FILTER VACUUM MOT. CT80	1,00			--
0025	TBBP00513		HOSE DRAIN RECOVERY TANK CT80	1,00			--
0026	SESD86493		DISTRIBUTOR 60	1,00		17/07/2018	--
0026	SESD86494		SEAT SENSOR REED CT80	1,00	18/07/2018		--
0027	MPVR07132		BACKREST CT80	1,00			--
0028	VTRS13750		WASHER D. 5X14 INX	3,00			--
0029	VTRS00516		WASHER D. 5 INX	4,00			--
0030	VTVT00852		SCREW TBEI M 5X 20 ISO 7380 IX	2,00			--
0031	VTRS13946		WASHER D. 8 X24 INX UNI 6593	4,00			--
0032	VTVT01207		SCREW TBEI 5X35	2,00			--
0033	FSVR00033		CLAMP 45-60	1,00			--
0034	LAFN09400		HOOK DRAIN HOSE CT80	1,00			--
0035	VTVT21096		SCREW TE M 4X 10 INX	1,00			--
0036	VTVT13937		SCREW TE M 8X 30 INX UNI 5739	4,00			--
0037	VTVT07725		SCREW TE 5X16 UNI5739 INX	3,00		23/07/2020	--
0037	VTVT00916			3,00	24/07/2020	02/07/2021	--
0037	VTVT07725		SCREW TE 5X16 UNI5739 INX	3,00	03/07/2021		--
0038	LAFN09353		MESH -	1,00			--
0039	KTRI01980		KIT CAP DRAIN HOSE	1,00			--
0040	KTRI05032		KIT REC. TANK LID CT80	1,00			--



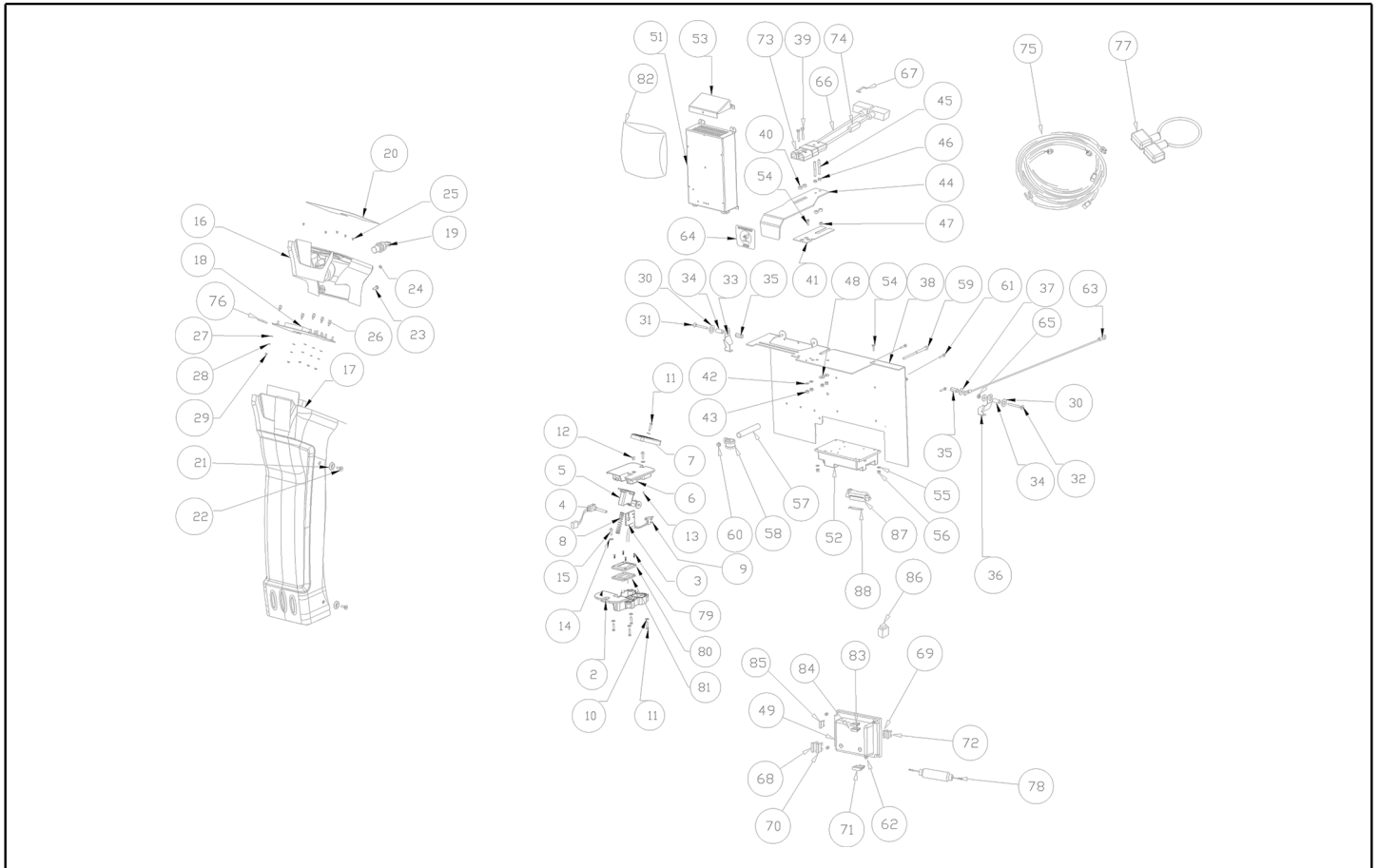
Ref. K	Part n.	Part n. 2	Description	Quantity	Validity		Price
					From	To	
0041	VTDD01693		NUT M 5 INX	3,00	24/07/2020	02/07/2021	--
0042	LAFN03626		SPACER	3,00	24/07/2020		--



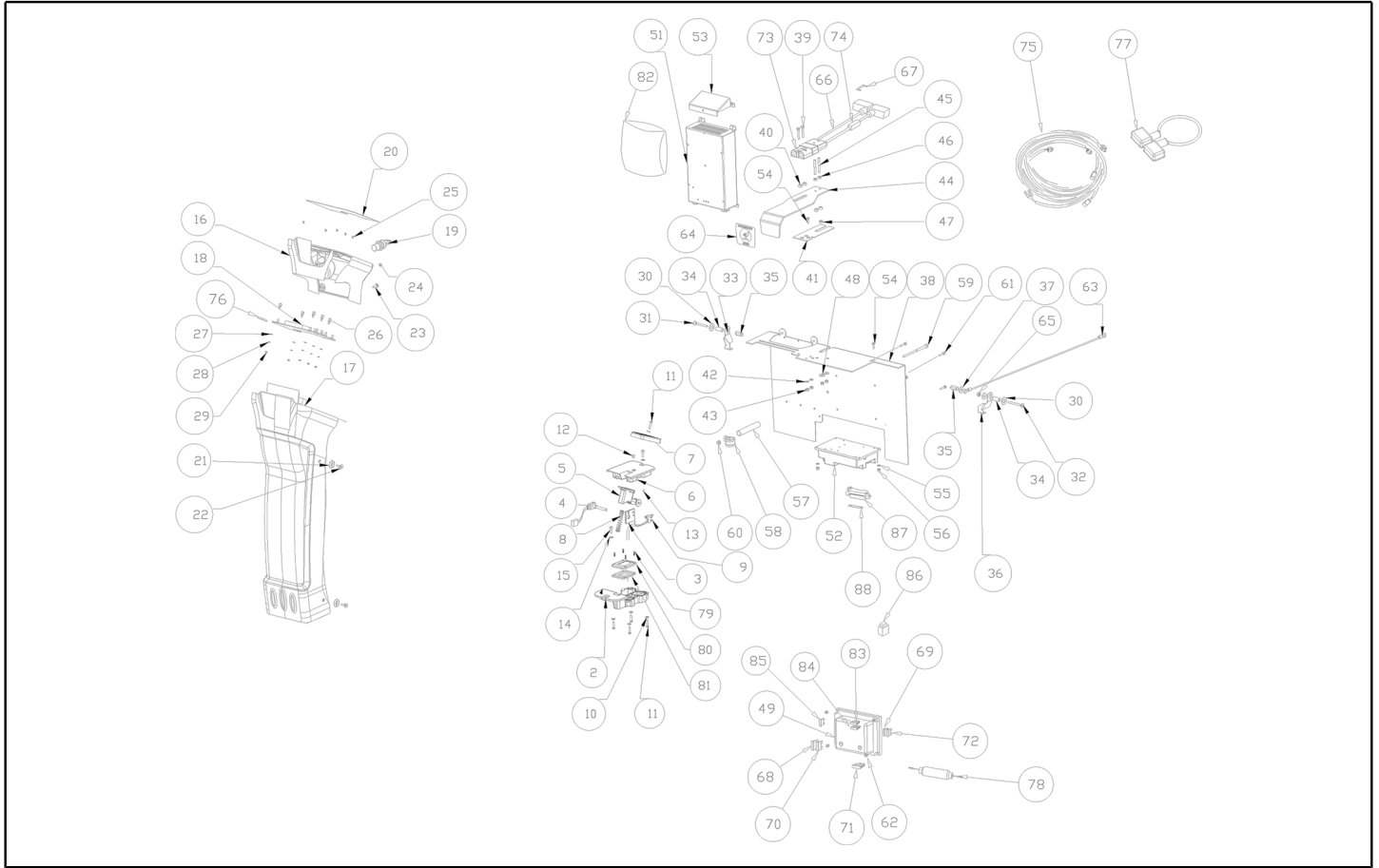
Ref. K	Part n.	Part n. 2	Description	Quantity	Validity		Price
					From	To	
0001	LAFN09292		FRAME -	1,00			--
0002	LAFN11171		UP STEERING CT80	1,00			--
0003	CUVR75816		BEARING 51112	1,00			--
0004	CUVR00094		BEARING 32004 TIPO SKF	1,00			--
0005	LAFN09293		PLATE -	1,00			--
0006	MOCC00433		MOTOR ELECTRICAL 24V 300W	1,00			--
0007	RTRT00547		WHEEL D.225x65 PU	2,00			--
0008	VTAE06193		CIRCLIP D. 20 UNI 7435	2,00			--
0009	VTRS15524		WASHER D.10	2,00			--
0010	VTRS15909		WASHER D.10	2,00			--
0011	VTVT03640		SCREW TE 10X25 UNI5740	2,00			--
0012	VTVT00790		SCREW TSPEI M8X16	4,00			--
0013	CUVR00105		BEARING SB204KDF+PFL204PTN	1,00			--
0014	VTRS13947		WASHER D. 8 INX UNI 6592	2,00			--
0015	VTRS15146		WASHER GROVER A2 UNI1751	2,00			--
0016	VTVT15916		SCREW TE M 8X 16 UNI 5739 A2	2,00			--
0017	LAFN09294		SHAFT -	1,00			--
0018	LAFN06377		PINION STEERING	1,00			--
0019	VTRS16937		WASHER 6x24 INOX UNI 6593	1,00			--
0020	VTRS15144		WASHER D. 6 INX GRW UNI 1751	1,00			--
0021	VTVT15143		SCREW TE 6X16 UNI5739	1,00			--
0022	VTDD01695		NUT M 8 INX	4,00			--
0023	VTVT13938		SCREW TE 8X20 UNI5739 INX	4,00			--
0024	VTVR00057		ARTICULATION STEERING	1,00			--
0025	LAFN75841		BUSHING CENTR.PIGNONE RUOTA ANT.	2,00			--
0026	ALTR00097		SHAFT STEERING CT80	1,00			--
0027	MPVR47027		STEERING WHEEL D.320 SENZA POMELLO	1,00			--
0028	VTRS44254		WASHER UNI 6593 10X40X2,5 ZB	1,00			--
0029	VTVT00455		SCREW TE 10X20 UNI5739	1,00			--
0030	VTRS00274		WASHER NYLON 66 D.8,4-17-2 UNI	2,00			--
0031	VTVT01677		SCREW TE M 8X100	1,00			--
0032	VTRS00019		WASHER UNI 6592 FORO 20 INOX	1,00			--
0033	LAFN08156		SHEET METAL PA. -	1,00			--
0034	LAFN09231		BRACKET M6X11X29	1,00			--
0035	VTDD15520		NUT M 6 A2 UNI 5588 INX	2,00			--
0036	VTRS00245		WASHER D.6 UNI 6592 INOX	2,00			--
0037	VTDD01694		NUT M6 INOX	2,00			--
0038	VTVT13939		SCREW TE 6X20 UNI5739 INX	1,00			--
0039	LAFN06844		SPACER CORONA	5,00			--
0040	VTVT25909		SCREW M 6X 25 TSPEI UNI 5933	5,00			--
0041	MPVR51068		PROTECTOR STEERING	0,50			--
0042	MLML34767		SPRING D.10.2 X20	1,00			--
0043	VTDD00524		NUT M20x1,5 UNI 5589	2,00			--
0044	LAFN09320		PIN -	1,00			--



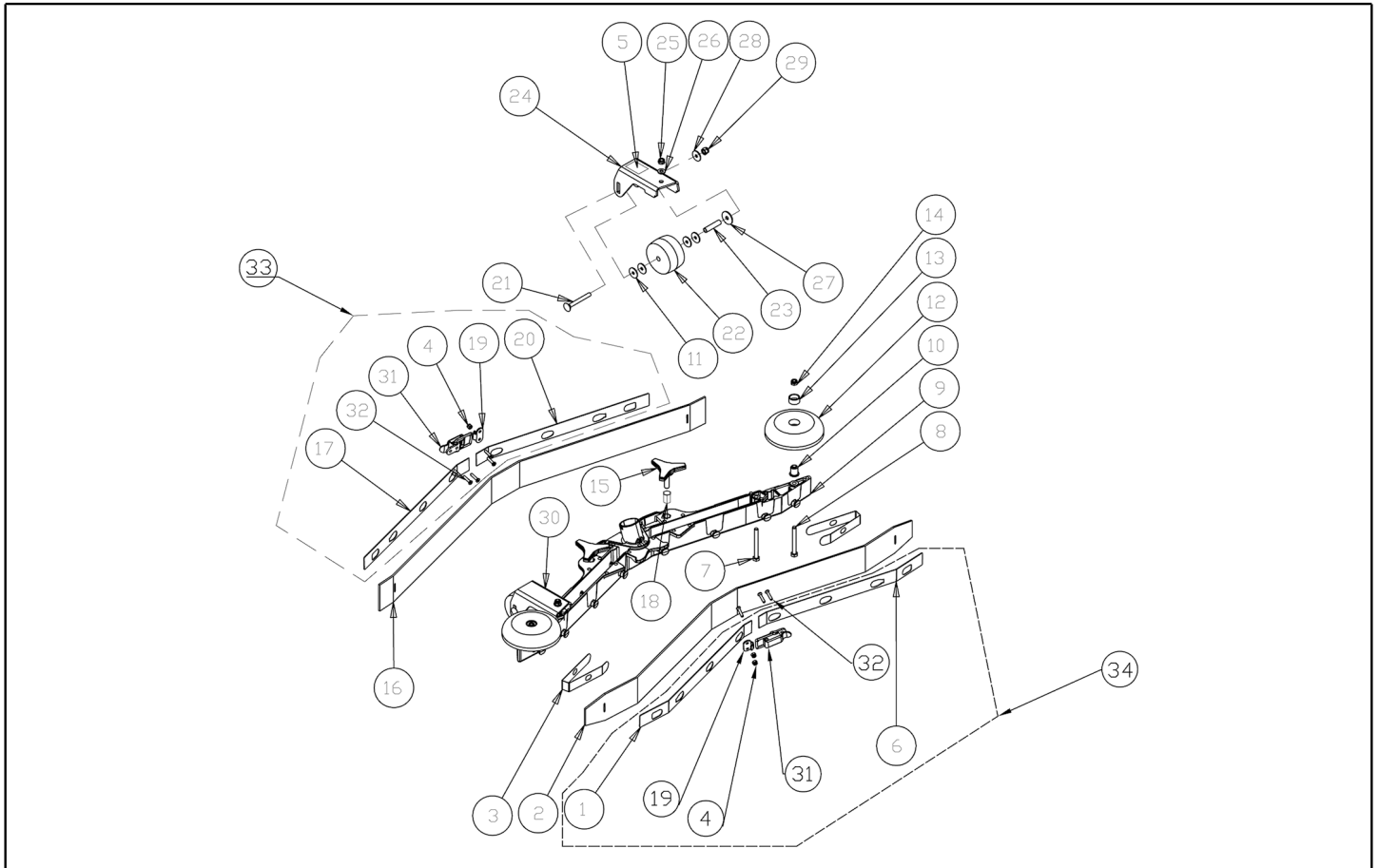
Ref. K	Part n.	Part n. 2	Description	Quantity	Validity		Price
					From	To	
0045	MOCC00424		ACTUATOR SQUEEGEE CT80	1,00			--
0046	LAFN09407		SPACER -	1,00			--
0047	LAFN08233		SUPPORT CT80	1,00			--
0048	VTRS13947		WASHER D. 8 INX UNI 6592	1,00			--
0049	VTDD01695		NUT M 8 INX	1,00			--
0050	VTVT00307		SCREW TCEI M10X30	1,00			--
0051	VTDD15519		NUT M10 INOX	1,00			--
0052	LAFN09409		RING GEAR STEERING	1,00			--
0053	MPVR06421		SPACER -	1,00			--
0054	MPVR05951		CAP G48 FOR WHEEL	2,00			--
0055	VTVT00817		SCREW TE M4x12 UNI 5739 INOX	1,00			--
0056	MPVR02933		DUCT LOCK D.9,5	1,00			--
0057	VTVT15141		SCREW TE M 6X 25 UNI 5739 INX	1,00			--
0058	VTRS00245		WASHER D.6 UNI 6592 INOX	1,00			--
0059	VTDD01700		NUT M6 INOX+ZIN.	1,00			--
0060	VTDD00055		NUT M 4 ATB A2	1,00			--
0061	VTVT01158		SCREW M4x16	1,00			--
0062	VTRS15913		WASHER D. 4 GROVER A2 UNI1751	1,00			--
0063	VTRS00017		WASHER STEEL INOX 4X12	1,00			--
0064	FSVR00099		CLAMP FERMATUBO	1,00			--
0065	MPVR12940		GUIDE .	1,00			--
0066	FSVR00049		CLAMP 4,5x200 black	1,00			--
0067	MEVR00686		FAIR-LEAD DIAMETER 15.5	1,00			--
0068	MEVR02096		FAIR-LEAD D.22 F.8,5 Inox430.	1,00			--
0069	VTRS15144		WASHER D. 6 INX GRW UNI 1751	1,00			--
0070	VTVT15906		SCREW TE 6X 12 A2 UNI 5739	1,00			--
0071	VTVT13938		SCREW TE 8X20 UNI5739 INX	1,00			--
0072	VTRS13947		WASHER D. 8 INX UNI 6592	1,00			--
0073	VTVT00717		SCREW TCEI M. 6-16	1,00			--
0074	VTRS15144		WASHER D. 6 INX GRW UNI 1751	1,00			--
0075	VTRS16937		WASHER 6x24 INOX UNI 6593	1,00			--
0076	MPVR12936		CRANKCASE .	1,00			--
0077	MTCR00116		SMALL CHAIN .	1,00			--



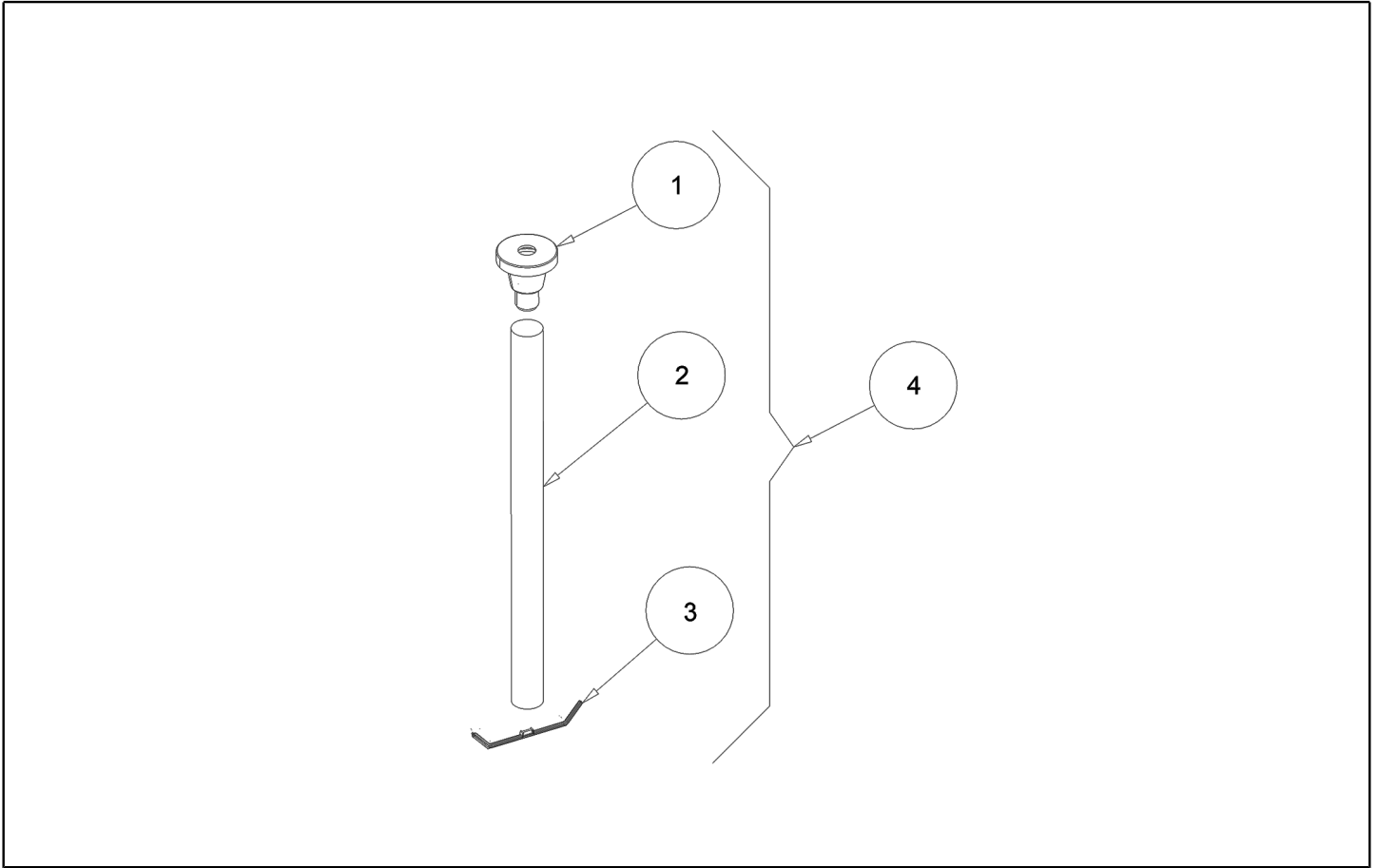
Ref. K	Part n.	Part n. 2	Description	Quantity	Validity		Price
					From	To	
0002	MPVR11937		BASE CT80 ACCELERATOR	1,00			--
0003	S MPVR07122		PLATE -	1,00			--
0004	S MEVR01755		POTENTIOMETER PEDAL CT80	1,00			--
0005	MPVR11940		SUPPORT CT80 ACCELERATOR	1,00			--
0006	MPVR11938		COVER CT80 ACCELERATOR	1,00			--
0007	MPVR11939		PEDAL CT80 ACCELERATOR	1,00			--
0008	S MLML00476		SPRING -	1,00			--
0009	S MECI00414		MICROSWITCH PEDAL CT80	1,00			--
0010	VTRS00516		WASHER D. 5 INX	4,00			--
0011	VTVT48694		SCREW TCB TC 5 X12 UNI 9707 TZ	4,00			--
0012	RCVR00163		CAP D.6	1,00			--
0013	VTVT01703		GRUB SCREW M4X8	1,00			--
0014	VTRS00516		WASHER D. 5 INX	1,00			--
0015	VTVT45339		SCREW TBCE ISO 7380 5X16 ZB	1,00			--
0016	MPVR07124		INSTR.PANEL -	1,00			--
0017	MPVR07123		SIDE PANEL PANEL CT80 GREEN	1,00			--
0018	MECE00589		BOARD DISPLAY CT80	1,00			--
0019	MECI75805		SWITCH KEY FOR BATTERY MACHINES	1,00			--
0020	ETET01797		LABEL -	1,00			--
0021	VTVR41809		UND.SCREW FLAN. D. 6,5-22 H4,5 NYL.NERO	4,00			--
0022	VTVT00832		SCREW TSPEI M6X16 INOX	4,00			--
0023	VTVT00787		SCREW TBEI M 6-16	2,00			--
0024	VTRS13750		WASHER D. 5X14 INX	2,00			--
0025	VTVT01377		SCREW TSP-TC M 3X5 UNI7688 INX	5,00			--
0026	VTVR00576		SPACER M3	5,00			--
0028	VTRS21116		WASHER D. 3 INX	5,00			--
0029	VTDD00210		NUT M 3 AUTOBL.DIN 985 IX.A2	5,00			--
0030	VTRS15523		WASHER D.10 X21 INOX UNI 6592	2,00			--
0031	VTVT26818		SCREW M6x45 TSPEI UNI5933	1,00			--
0032	VTVT30247		SCREW TSPEI M 6X 50 UNI 5933	1,00			--
0033	LAFN09398		BRACKET -	1,00			--
0034	MPVR07165		SPACER -	2,00			--
0035	VTVR00556		RIVET -	2,00			--
0036	LAFN09399		BRACKET -	1,00			--
0037	VTRS00245		WASHER D.6 UNI 6592 INOX	1,00			--
0038	LAFN09322		SUPPORT ELECTRONICS+CHARGER	1,00			--
0039	VTVT00423		SCREW TE M 5X 30 UNI 5739	2,00			--
0040	MPVR07164		SPACER -	2,00			--
0041	MPVR07141		PLATE -	1,00			--
0042	VTRS00516		WASHER D. 5 INX	2,00			--
0043	VTDD01693		NUT M 5 INX	2,00			--
0044	LAFN09321		LEVER -	1,00			--
0045	LAFN09350		PIN -	2,00			--
0046	VTDD07727		NUT M 5 INOX	2,00			--



Ref. K	Part n.	Part n. 2	Description	Quantity	Validity		Price
					From	To	
0048	VTRS13750		WASHER D. 5X14 INX	2,00			--
0049	MECE00909		BOARD POWER CT80 MY2022	1,00		08/01/2024	--
0049	MECE00974		BOARD CT80 MY2023	1,00	09/01/2024		--
0051	BACA00178		BATTERY-CHARGER NE284 24V 15A GEL-AGM-AC.	1,00			--
0052	MECE00590		BOARD TRACTION CT80BT55 ITALSEA	1,00		22/09/2022	--
0052	MECE00913		BOARD TRACTION 7CH4Q92F	1,00	23/09/2022		--
0053	LAFN09326		CONVEYOR -	1,00			--
0054	VTVT16939		SCREW M 4X 16 TSPEI UNI 5933	2,00			--
0055	VTRS00515		WASHER D. 4 INX	2,00			--
0056	VTDD00055		NUT M 4 ATB A2	2,00			--
0057	LAFN09323		HOSE -	1,00			--
0058	MEVR02096		FAIR-LEAD D.22 F.8,5 Inox430.	1,00			--
0059	VTVT00414		SCREW TE M6x100 UNI5739	1,00			--
0060	VTDD01694		NUT M6 INOX	1,00			--
0061	VTVT00704		SCREW TE M 4X 16 UNI5739 INOX	4,00			--
0062	VTDD15925		NUT M 4 INX+ZN	4,00			--
0063	CMCV00471		CABLE CT80	1,00			--
0064	ETET01825		LABEL -	1,00			--
0065	VTDD00053		NUT M6 INOX UNI5589	1,00			--
0066	KTRI02290		CABLE BATTERY-ANDERSON+FUS.CT80	1,00		22/06/2023	--
0066	MECB02365		WIRING .	1,00	23/06/2023		--
0067	MEVR32087		FUSE 100A NST.	1,00			--
0068	MEVR00644		FUSE MAXIVAL 30A	1,00			--
0069	MEVR00584		FUSE 3A	1,00			--
0070	MEVR00644		FUSE MAXIVAL 30A	1,00			--
0071	MEVR00644		FUSE MAXIVAL 30A	1,00			--
0072	MEVR00584		FUSE 3A	1,00			--
0073	MEVR01621		PLUG ANDERSON SB120 RED	1,00			--
0074	MEVR31036		FUSE-HOLDER	1,00			--
0075	MECB02317		WIRING .	1,00			--
0076	MEVR02097		SD-CARD -	1,00			--
0077	MEVR34820		WIRING BATTERY BRIDGE W/TERMINAL	1,00			--
0078	MECB01908		WIRING DIODE FILTER	1,00			--
0079	VTVT01594		SCREW VITE TSPC 3x12	4,00			--
0080	MPVR11928		GASKET BRAKE PEDAL CT80	1,00			--
0081	MPVR11933		GASKET CT80 ACCELERATOR	1,00			--
0082	MPVR02838		BAG CHARGER POWER CORD	1,00			--
0083	MEVR00584		FUSE 3A	1,00			--
0084	MEVR00584		FUSE 3A	1,00			--
0085	MEVR01132		FUSE A LAMA 5 A.	1,00			--
0086	MECE00915		BOARD INVERTER	1,00			--
0087	MEVR31036		FUSE-HOLDER	1,00			--
0088	MEVR00604		FUSE STRIP 80A	1,00			--



Ref. K	Part n.	Part n. 2	Description	Quantity	Validity		Price
					From	To	
0001	LAFN09275		BLADE HOLDER FRONT RIGHT XS	1,00			--
0002	MPVR06287		BLADE XS 3MM LATEX	1,00			--
0003	MPVR05897		CLOSURE S	2,00			--
0004	VTDD00210		NUT M 3 AUTOBL.DIN 985 IX.A2	8,00			--
0005	ETET01817		LABEL -	2,00			--
0006	LAFN09276		BLADE HOLDER FRONT LEFT XS	1,00			--
0007	VTVT17342		SCREW TE M 6X 60 UNI 5739 INX	2,00			--
0008	VTVT00655		SCREW TE M. 6-55	2,00			--
0009	MFVR00143		BODY SQUEEGEE PRESSOFUSO	1,00			--
0010	LAFN04100		SPACER FOR BUMPER WHEEL	2,00			--
0011	VTRS00274		WASHER NYLON 66 D.8,4-17-2 UNI	4,00			--
0012	MPVR06105		WHEEL BUMPER D.80 H=22	2,00			--
0013	MPVR49229		BUSHING SHK	2,00			--
0014	VTDD01694		NUT M6 INOX	2,00			--
0015	MPVR06004		KNOB SQUEEGEE YELLOW M8X30	2,00		03/04/2018	--
0015	MPVR10569		SMALL KNOB YELLOW M8X45 H.10	2,00	04/04/2018		--
0016	MPVR06288		BLADE XS 3MM LATEX	1,00			--
0017	LAFN09277		BLADE HOLDER REAR RIGHT XS	1,00			--
0018	VTVR00567		INSERT -	2,00			--
0019	LAFN09301		SOCKET -	2,00			--
0020	LAFN09278		BLADE HOLDER REAR LEFT XS	1,00			--
0021	VTVT01206		SCREW M6X55	2,00			--
0022	RTRT00398		WHEEL d.60 HOLE 8	2,00			--
0023	LAFN07589		SPACER -	2,00			--
0024	LAFN09217		SUPPORT SX	1,00			--
0025	VTDD01694		NUT M6 INOX	2,00			--
0026	VTRS00245		WASHER D.6 UNI 6592 INOX	2,00			--
0027	VTRS16937		WASHER 6x24 INOX UNI 6593	2,00			--
0028	VTRS13945		WASHER D. 6X18 INX UNI 6593	2,00			--
0029	VTDD15518		NUT M 6 INX	2,00			--
0030	LAFN09216		SUPPORT DX	1,00			--
0031	LAFN09302		CLOSURE -	2,00			--
0032	VTVT01070		SCREW TSTC M3X8	8,00			--
0033	KTRI02194		KIT XS	1,00			--
0034	KTRI02193		KIT XS	1,00			--



Ref. K	Part n.	Part n. 2	Description	Quantity	Validity		Price
					From	To	
0001	MPVR06404		JOINT -	1,00			--
0002	TBFX00375		TUBE -	0,90			--
0003	MPVR08038		PLATE CT15-30	1,00			--
0004	KTRI02248		KIT .	1,00			--