

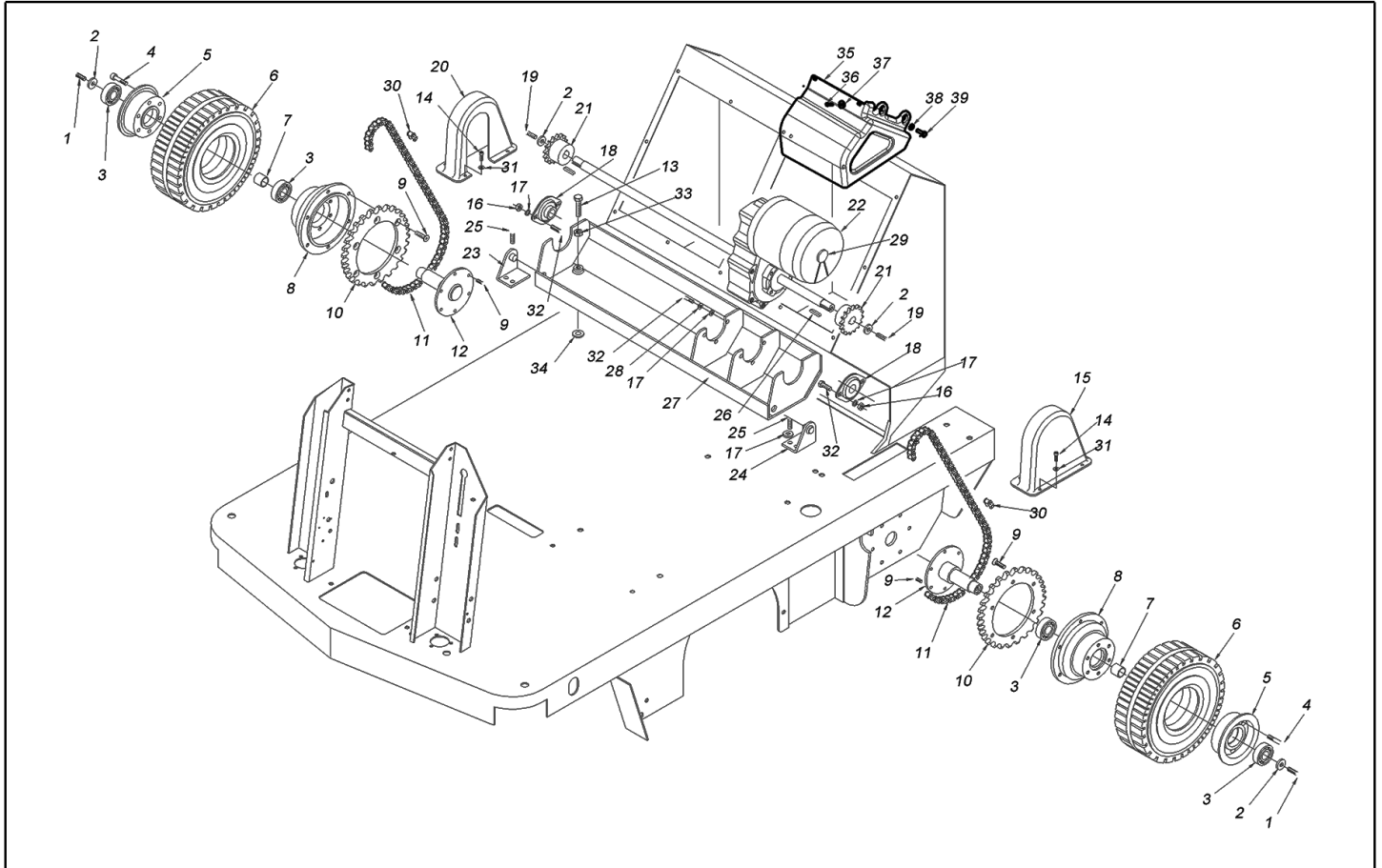


IPC

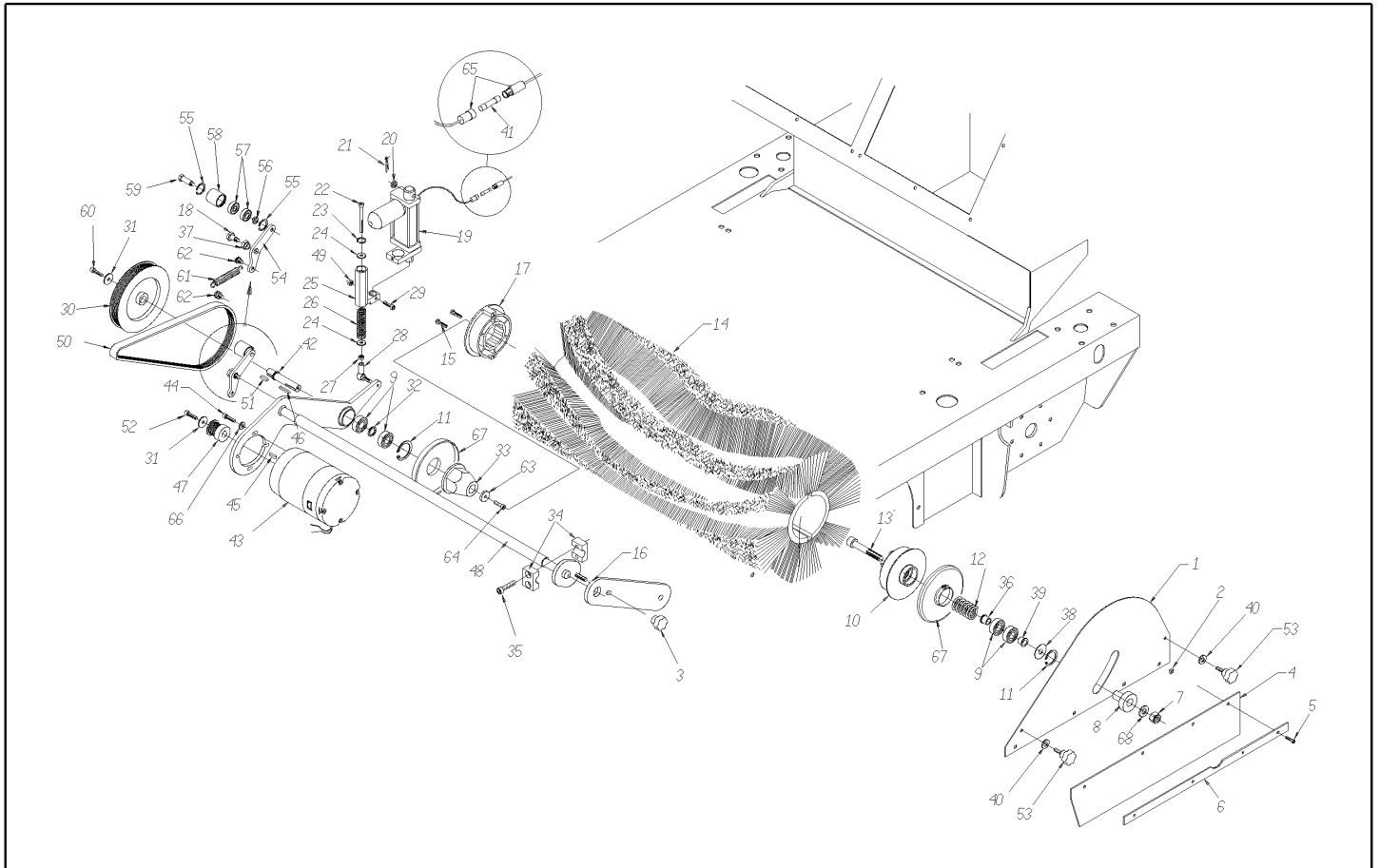
Spare parts list

Ref: MSUB00573

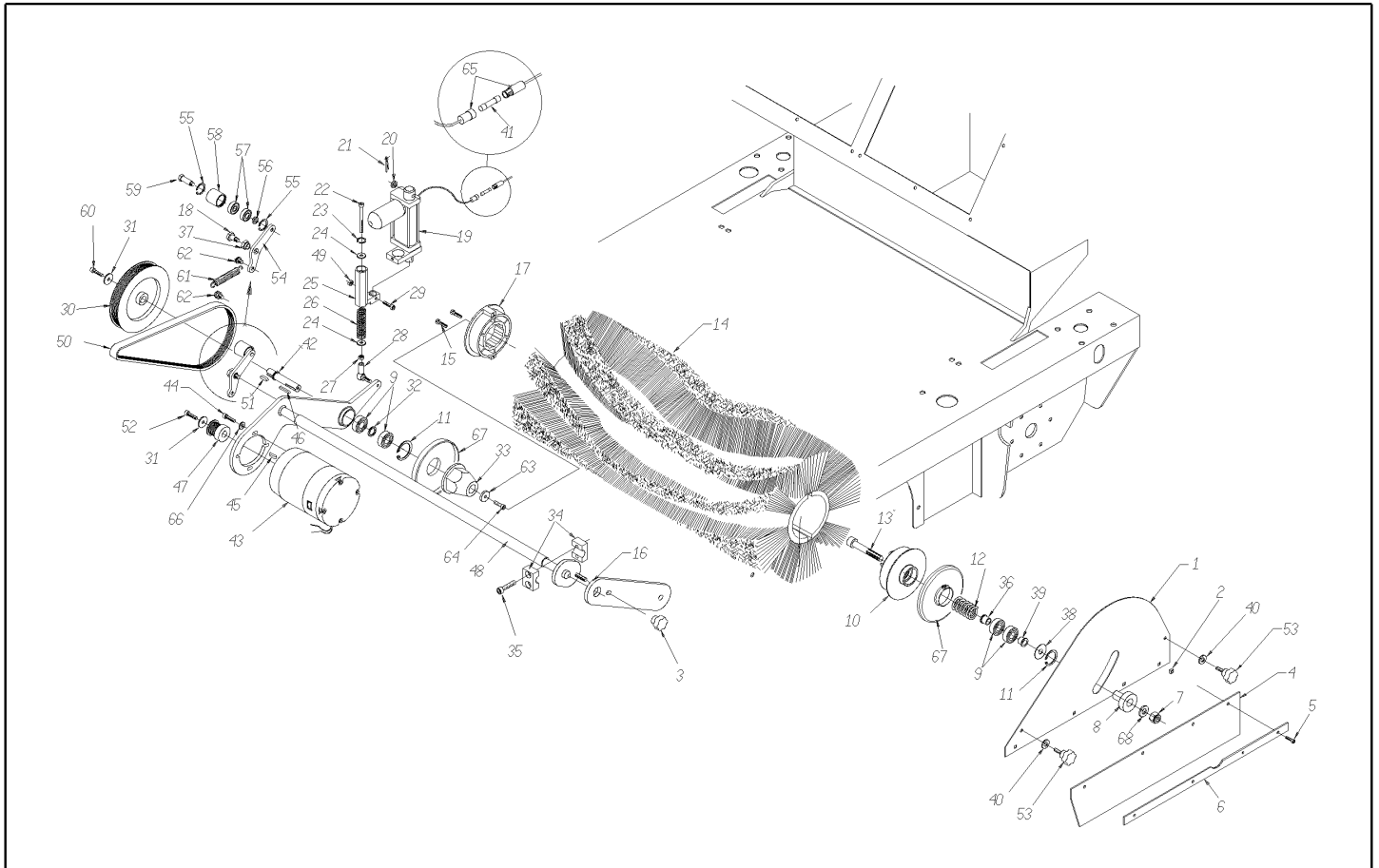
Model: SWEEPER 1404 DP P. GR/VE 2SP IPC



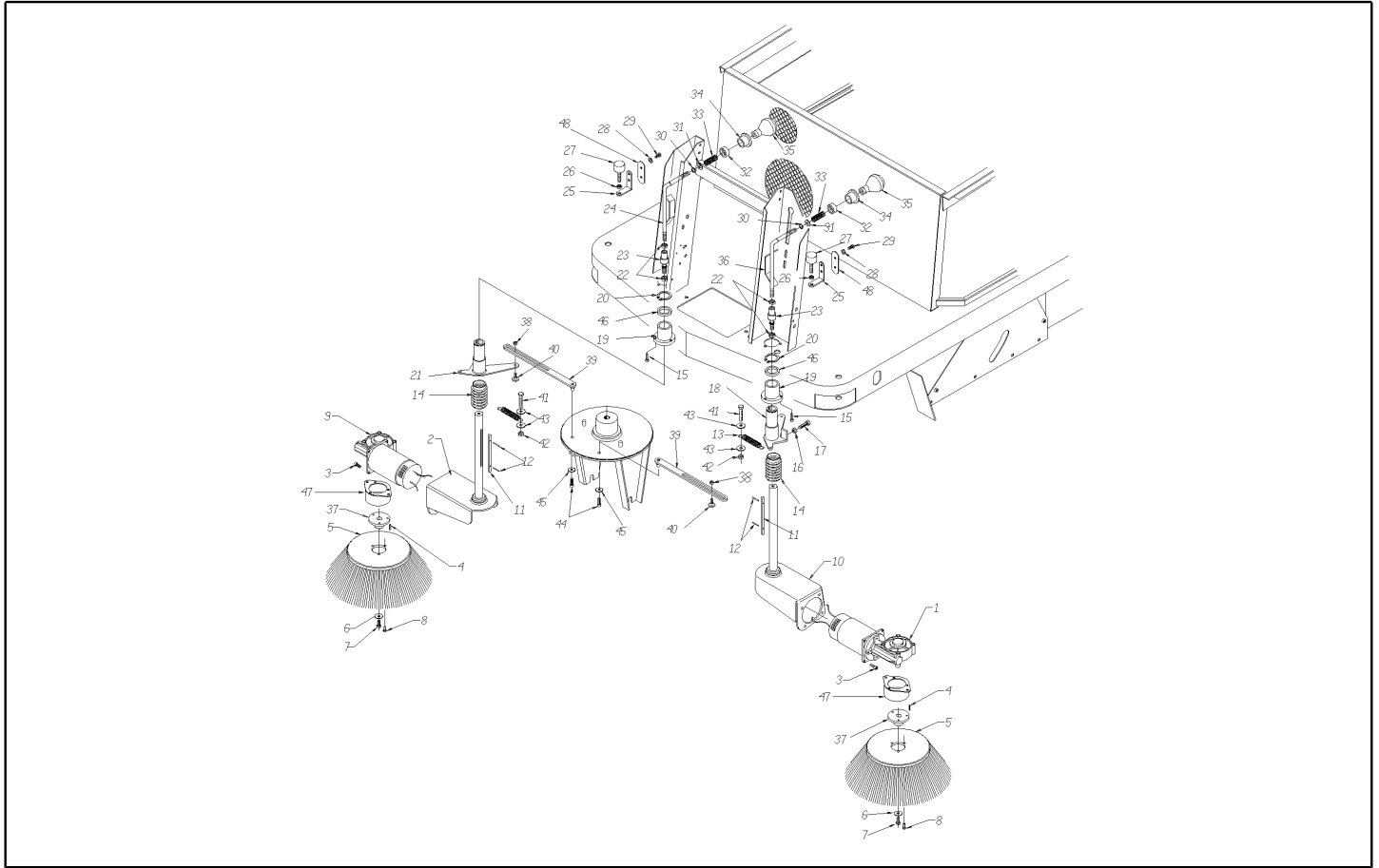
Ref. K	Part n.	Part n. 2	Description	Quantity	Validity		Price
					From	To	
0001	VTVT87271		SCREW TBCE ISO 7380 8X16 ZB	2,00			--
0002	VTRS00513		WASHER UNI 6593 8X32X2,5 ZB	4,00			--
0003	CUVR08998		BALL BEARING 6204 2RS1	4,00			--
0004	VTVT01119		SCREW TCCE UNI 5931 8X30 ZB	12,00			--
0005	LAFN45083		HUB RUOTA ANTER/POST.TK1400	2,00			--
0006	RTRT45132		WHEEL SUPERELAST.BA-MA 4.00X4'	2,00			--
0007	LAFN45336		SPACER D.20X24X22 ZINCATO	2,00			--
0008	LAFN45084		HUB RUOTA POSTERIORE TK1400	2,00			--
0009	VTVT01534		SCREW TSCE 5933 8X30 ZB	18,00			--
0010	MTCR45337		TOOTHED WHEEL Z. 45 P 1/2"	2,00			--
0011	MTCR45085		CHAIN TRASM.1/2"88 RULLI 1400	2,00			--
0012	LAFN45086		SUPPORT RUOTA POSTERIORE TK1400	2,00			--
0013	VTVT01536		SCREW TE UNI 5739 10X45 ZB	2,00			--
0014	VTVT75726		SCREW TBCE ISO 7380 6X16 ZB	4,00			--
0015	MPVR45338		CRANKCASE PROTEZIONE CATENA SX	1,00			--
0016	VTDD00124		NUT M8 DIN985	4,00			--
0017	VTRS00504		WASHER D. 8 ZC. UNI 6592	14,00			--
0018	LAFN87166		SUPPORT SBPFL 204	2,00		21/11/2010	--
0018	CUVR00105		BEARING SB204KDF+PFL204PTN	2,00	22/11/2010		--
0019	VTVT87271		SCREW TBCE ISO 7380 8X16 ZB	2,00			--
0020	MPVR45396		CRANKCASE PROTEZIONE CATENA DESTRA	1,00			--
0021	MTCR45897		PINION DIFFERENZ.Z12 P1/2"TK1400	2,00			--
0022	RDGR45088		MOTOR.GEARBOX TRAZIONE TK1400 DP	1,00			--
0022	MEVR33562		CARBON 10X18X18 400W 12V	4,00			--
0023	LAFN45397		SUPPORT TRAVERSA DIFFER.DX 1400zn	1,00			--
0024	LAFN45398		SUPPORT TRAVERSA DIFFER.SX 1400zn	1,00			--
0025	VTVT00066		SCREW TCCE UNI 5931 8X25 ZB	4,00			--
0026	VTVR23472		KEY UNI 6604 6X6X25	2,00			--
0027	MPVR45399		SUPPORT DIFFERENZIALE TK 1400 ZIN	1,00			--
0028	VTRS01080		WASHER D. 8 GRW	6,00			--
0029	MECI00035		SWITCH DI TEMPERATURA F11-95 NC	1,00			--
0030	MTCR45401		JOINT 1/2"	2,00			--
0031	VTRS00503		WASHER D. 6 UNI 6592	2,00			--
0032	VTVT29810		SCREW TCCE UNI 5931 8X20 ZB	10,00			--
0033	VTDD00484		NUT M10 ZIN UNI 5588	2,00			--
0034	LAFN47016		SPACER X TENDIC.TK1400/1200/1300	2,00			--
0035	MPVR12748		CONVEYOR .	1,00	21/01/2021		--
0036	VTVT01669		SCREW M4x6 UNI5739 znt cl.4.8	2,00	21/01/2021		--
0037	VTRS00501		WASHER D. 4 0.232 UNI 6592	2,00	21/01/2021		--
0038	VTRS00503		WASHER D. 6 UNI 6592	2,00	21/01/2021		--
0039	VTVT00444		SCREW TE 6X20 UNI5739	2,00	21/01/2021		--



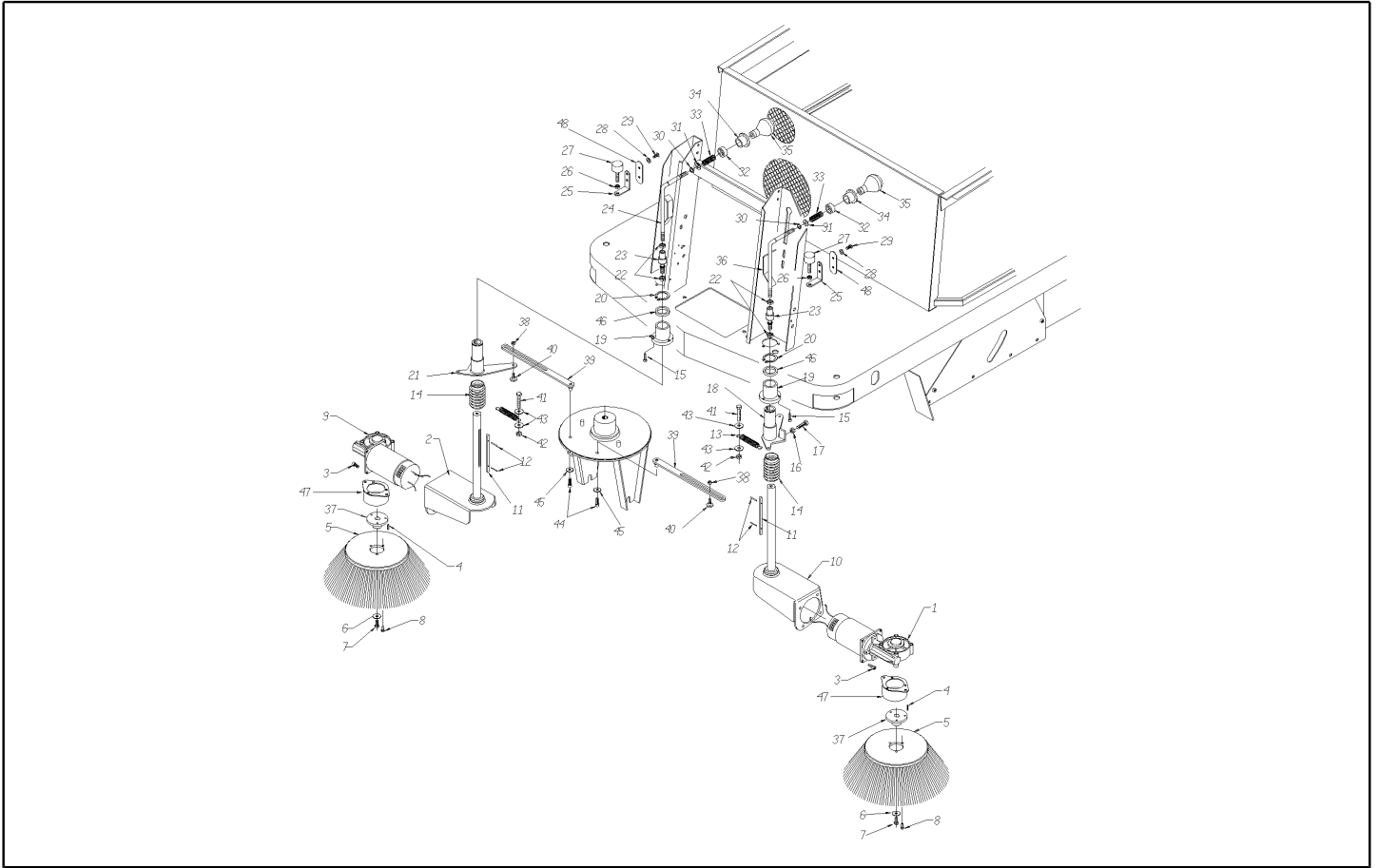
Ref. K	Part n.	Part n. 2	Description	Quantity	Validity		Price
					From	To	
0001	LAFN06600		PLANE SPAZZOLA CENTRALE	1,00			--
0002	VTVR47015		INSERT PLASTICA (MEDREVITE)	4,00			--
0003	VTVR00047		HANDWHEEL D.50 M8	1,00			--
0004	MPVR04669		FLAP Flap RH/LH SIDE 1404	1,00			--
0005	VTVT00044		SCREW TC AF.X PLAS UNI9707 4X16	4,00			--
0006	LAFN06601		PLATE FISSA FLAP	1,00			--
0007	VTDD00012		NUT AUTOBLOK DIN 985 M12 ZB	1,00			--
0008	LAFN06836		PIN CENTRAGGIO PROTEZIONE	1,00			--
0009	CUVR17004		BALL BEARING 6202 -2RS1	4,00			--
0010	MPVR04923		SUPPORT SPAZZOLA CENTRALE	1,00			--
0011	VTAE00076		CIRCLIP D.37 DIN 472	2,00			--
0012	MLML00295		SPRING SPAZZOLA CENTRALE	1,00			--
0013	VTVT01128		SCREW TCCE UNI 5931 12X120 ZB	1,00			--
0014	SPPV43840		BRUSH CEN.D.330X800 6R0.5/1.2	1,00			--
0015	VTVT47049		SCREW AUTOF.TC UNI 6954 3,5X45	2,00		28/04/2015	--
0015	VTVT01705		SCREW 4X45 UNI 9709	2,00	29/04/2015		--
0016	LAFN47050		ARM ASPORTAB.SPAZZ.CENTR.ZIN.	1,00			--
0017	LAFN45099		DRIVE DISK CENTRAL BRUSH	1,00			--
0018	LAFN47051		PIN FISSAG.TENDICING.1400	1,00			--
0019	MECB00956		WIRING ATTUATORE	1,00		17/09/2019	--
0019	MOCC00497		ACTUATOR 1404 CENTRAL BRUSH	1,00	18/09/2019		--
0020	VTRS00503		WASHER D. 6 UNI 6592	1,00			--
0021	VTVR47052		SPLIT PIN AR DIAM.FILO 2	1,00			--
0022	VTVT37013		SCREW TE M 6X100 UNI 5737	1,00			--
0023	VTAE00009		SEEGER INTERNO DIN 472 D.20	1,00			--
0024	LAFN00124		BUSHING BATTUTA CILINDRO	2,00			--
0025	MPVR45279		CASE PORTAMOLLA SPAZ.CENT.1400	1,00			--
0026	MLML45281		SPRING FOR SHOCK ABSORBER	1,00			--
0027	VTDD00482		NUT M 6 ZIN UNI 5588	1,00			--
0028	VTVR45280		TOGGLE-JOINT M 6	1,00			--
0029	VTVT00008		SCREW TE UNI 5739 6X30 ZB	1,00			--
0030	MTPL47054		PULLEY SPAZZOLA CENTRALE TK1400	1,00			--
0031	VTRS63242		WASHER UNI 6593 6X24X2 ZB	2,00			--
0032	LAFN06823		SPACER CUSCINETTI ALB.SPAZ.CENT.	1,00			--
0033	MPVR04915		HUB CENTRAL BRUSH 1404	1,00			--
0034	LAFN47055		HOSE COLLAR C3 D.18 SOLO PVC	4,00			--
0035	VTVT06236		SCREW TCCE UNI 5931 6X40 ZB	4,00			--
0036	LAFN06782		BUSHING PER CUSCINETTO	1,00			--
0037	LAFN47033		BUSHING FISSAGGIO PERNO PEDALI	1,00			--
0038	VTRS00553		WASHER PARAPOLVERE	1,00			--
0039	LAFN06783		BUSHING PER CUSCINETTO 1	1,00			--
0040	VTRS00504		WASHER D. 8 ZC. UNI 6592	2,00			--
0041	MEVR00079		FUSE 3.15A 250V 5X20	1,00			--
0042	LAFN06687		PIN S.C. 1404	1,00			--



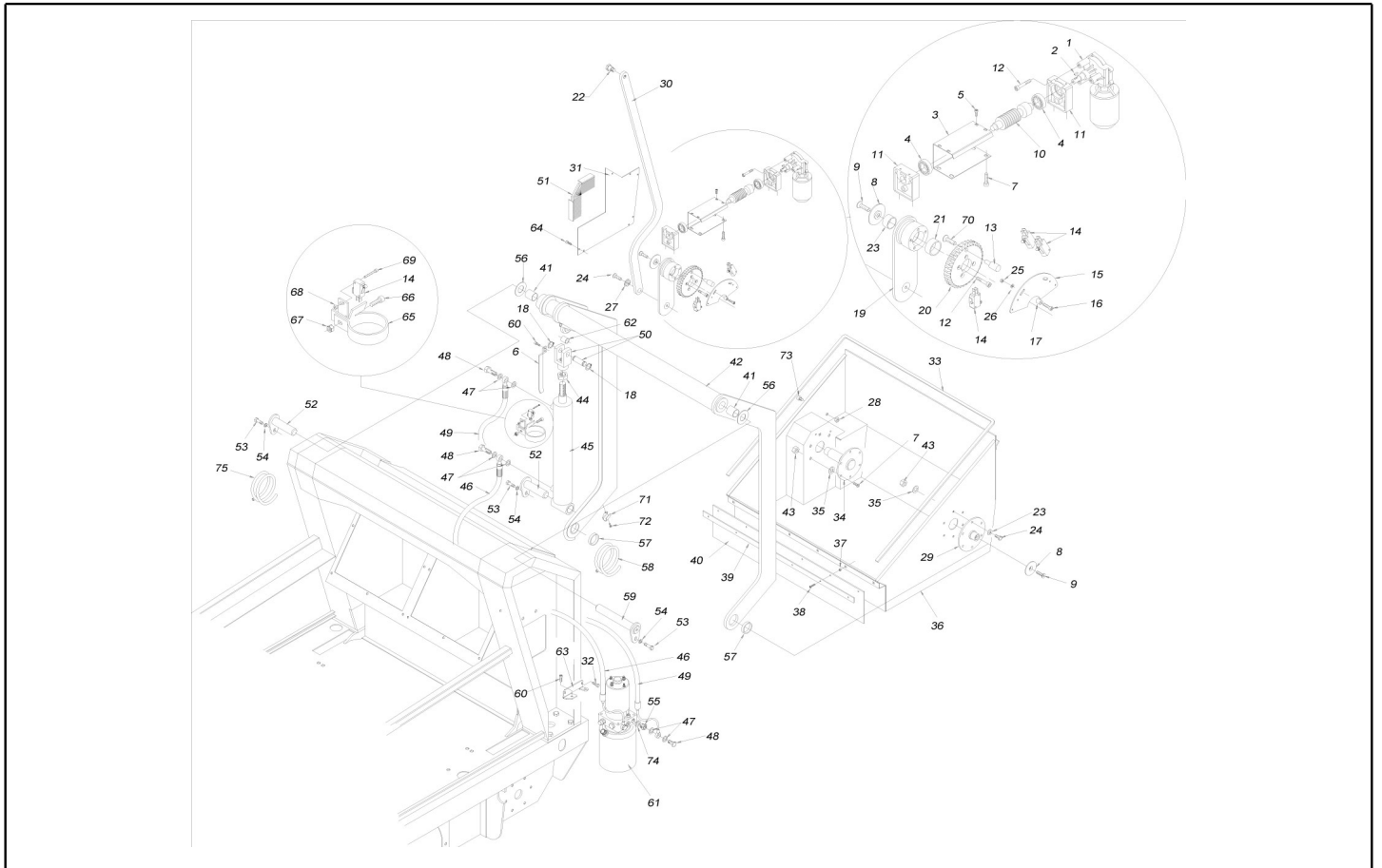
Ref. K	Part n.	Part n. 2	Description	Quantity	Validity		Price
					From	To	
0043	MOCC00275		MOTOR SPAZZOLA CENTRALE	1,00			--
0044	VTVT06237		SCREW TCCE UNI 5931 6X20 ZB	4,00			--
0045	VTVR13165		KEY UNI 6604 5X5X20	1,00			--
0046	VTVR00006		KEY UNI 6604 4X4X35	1,00			--
0047	MTPL45101		PULLEY MOT.SPAZ.CENTR.1400/1300/	1,00			--
0048	LAFN06828		ARM MAIN BRUSH 1404	1,00			--
0049	VTDD19688		NUT M6 UNI 7473	1,00			--
0050	MTCG44767		BELT POLY 864-340 JB	1,00			--
0051	VTVR13165		KEY UNI 6604 5X5X20	1,00			--
0052	VTVT24209		SCREW TCCE UNI 5931 6X12 ZB	1,00			--
0053	RTRT00022		HANDWHEEL D.30 M6X15	2,00			--
0054	LAFN47059		BRACKET TENDICIN.SPAZ.CENTR.1400	1,00			--
0055	VTAE00008		SEEGER INTERNO DIN 472 D.26	2,00			--
0056	LAFN47060		SPACER RULLINO TENDICINGHIA	1,00			--
0057	CUVR86373		BEARING 6000 2RS	2,00			--
0058	MTPL47061		ROLLER TENDICINGHIA TK1000S	1,00			--
0059	LAFN47062		PIN RULLO TENDICINGHIA TK1400	1,00			--
0060	VTVT24209		SCREW TCCE UNI 5931 6X12 ZB	1,00			--
0061	MLML75961		SPRING TRAZ.NUOVA D.16 L.70 ZB	1,00			--
0062	VTVT45395		SCREW TBCE ISO 7380 8X10 ZB	2,00			--
0063	VTRS04026		WASHER D. 6X18X2.38	1,00			--
0064	VTVT24209		SCREW TCCE UNI 5931 6X12 ZB	1,00			--
0065	MEVR00080		FUSE-HOLDER PV610 10A	1,00			--
0066	VTRS04026		WASHER D. 6X18X2.38	4,00			--
0067	LAFN06837		PROTECTION SPAZZOLA CENTRALE	2,00			--
0068	VTRS00506		WASHER D.12 UNI 6592	1,00			--



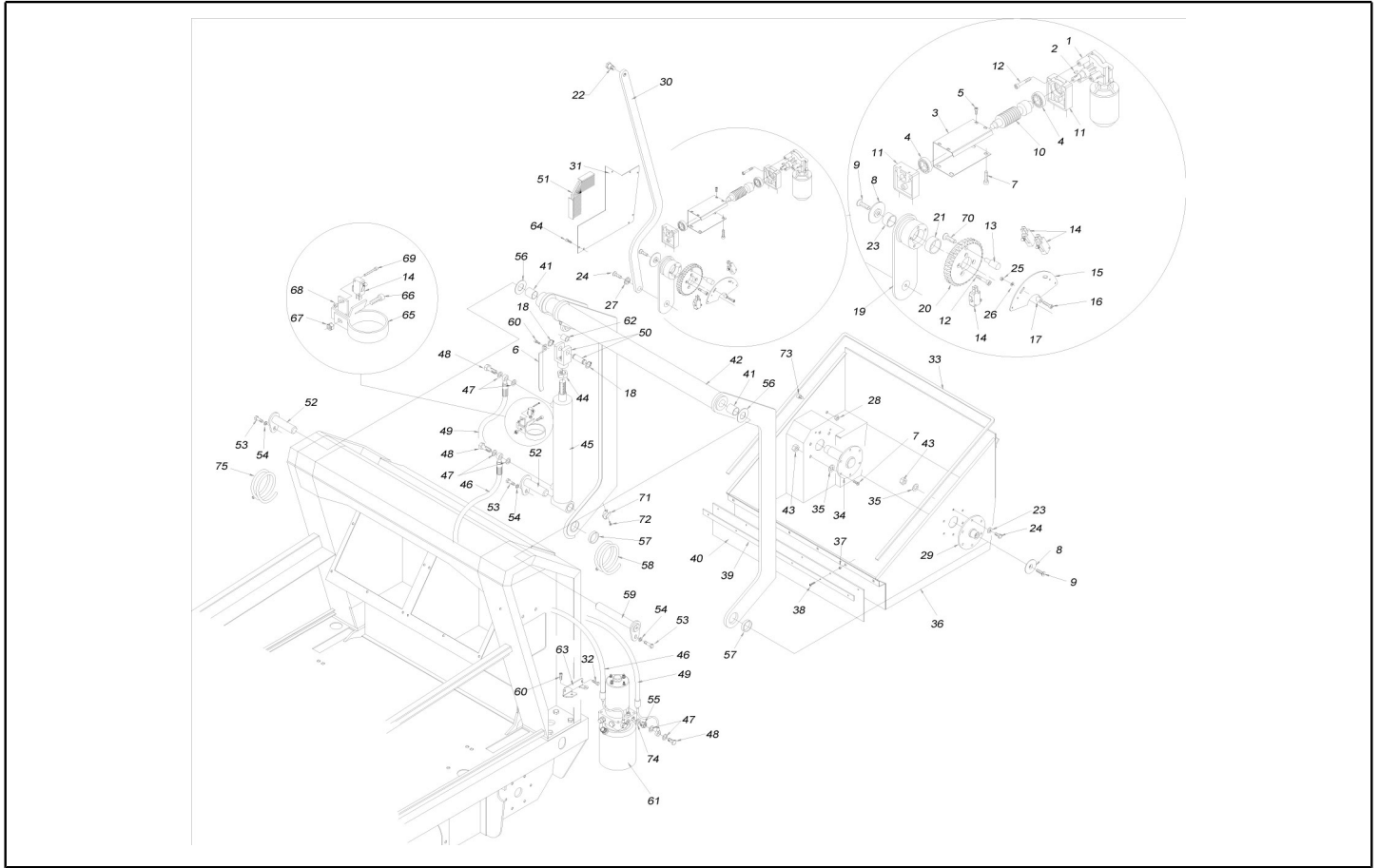
Ref. K	Part n.	Part n. 2	Description	Quantity	Validity		Price
					From	To	
0001	RDGR44777		MOTOR.GEARBOX AOMPI40 24V 90W SX TK1400	1,00		12/06/2023	--
0001	MOCC00525		MOTOR.GEARBOX	1,00	13/06/2023		--
0002	LAFN47063		MOTOR SUPPORT DX SPAZ.LATER.TK1400 ZIN	1,00			--
0003	VTVT06237		SCREW TCCE UNI 5931 6X20 ZB	8,00			--
0004	VTVR33667		KEY UNI 6604 5X5X25	2,00			--
0005	SPPV43844		SIDE-BRUSH D.500 1404	2,00			--
0006	VTRS63242		WASHER UNI 6593 6X24X2 ZB	2,00			--
0007	VTVT75719		SCREW TE FR 6X10 ZB ZIGRINATE	2,00			--
0008	VTVT62920		SCREW TE FR 6X16 ZB ZIGRINATE	6,00			--
0009	RDGR44776		MOTOR.GEARBOX AOMPI40 24V 90W DX TK1400	1,00		12/06/2023	--
0009	MOCC00524		MOTOR.GEARBOX	1,00	13/06/2023		--
0010	LAFN47064		MOTOR SUPPORT SX SPAZ.LATER.TK1400 ZIN	1,00			--
0011	VTVR47065		KEY 6X6X130	2,00			--
0012	VTVR00009		ELASTIC PLUG DIN 1481 3X20	4,00			--
0013	MLML45102		SPRING BRACCIO SPAZ.LAT.TK1400	2,00			--
0014	MPVR47066		PROTECTOR X ALBERO SPAZZOLA TK1000	2,00			--
0015	VTVT09913		SCREW TCCE UNI 5931 6X16 ZB	6,00			--
0016	VTDD00483		NUT M 8 ZIN UNI 5588	6,00			--
0017	VTVT00017		SCREW TE UNI 5739 8X35 ZB	2,00			--
0018	LAFN47067		GUIDE ALBERO SPAZ.LAT.SX 1400zn	1,00			--
0019	LAFN47070		FLANGE PORTA SPAZZOLE LAT.TK1400	2,00			--
0020	VTAE12644		CIRCLIP ESTERNO DIN 471 D.30	2,00			--
0021	LAFN47071		GUIDE ALBERO SPAZ.LAT.DX 1400zn	1,00			--
0022	VTDD00484		NUT M10 ZIN UNI 5588	4,00			--
0023	VTVR47072		ARTICULATION ASSIALE M10	2,00			--
0024	LAFN47073		ARM DX ALZASPAZ.LAT.TK1400 ZN	1,00			--
0025	MPVR86579		SUPPORT TK	2,00			--
0026	VTDD00482		NUT M 6 ZIN UNI 5588	2,00			--
0027	MPVR75799		FOOT 20X9 M6X18	2,00		21/11/2012	--
0027	ABGO00008		VIBRATION DAMP. PM 20X20 M6X20	2,00	22/11/2012	12/06/2023	--
0027	ABGO00070		VIBRATION DAMP. PM 20x30 M6x18	2,00	13/06/2023		--
0028	VTRS04026		WASHER D. 6X18X2.38	4,00			--
0029	VTVT75726		SCREW TBCE ISO 7380 6X16 ZB	4,00			--
0030	VTAE87276		SEEGER EXT. D10 DIN471	2,00			--
0031	VTRS00505		WASHER D.10 UNI 6592	2,00			--
0032	MPVR47074		BUSHING FERMO ALZASPAZ.LAT.INT.	2,00			--
0033	MLML47075		SPRING LEVA SPAZ.LAT.D.15X1,5X24	2,00			--
0034	MPVR47076		BUSHING DI FERMO BRACCIO LAT.	2,00			--
0035	MPVR47077		KNOB ALZASPAZZOLA LAT.TK1000	2,00			--
0036	LAFN47078		ARM SX ALZASPAZ.LAT.TK1400 ZN	1,00			--
0037	LAFN45010		FLANGE L.1400 LT	2,00			--
0038	VTDD00491		NUT M 6 TEF	2,00			--
0039	LAFN47079		ROD L.14	2,00			--
0040	LAFN47080		SCREW X ASTA ROTAZ.SPAZ.LAT	2,00			--



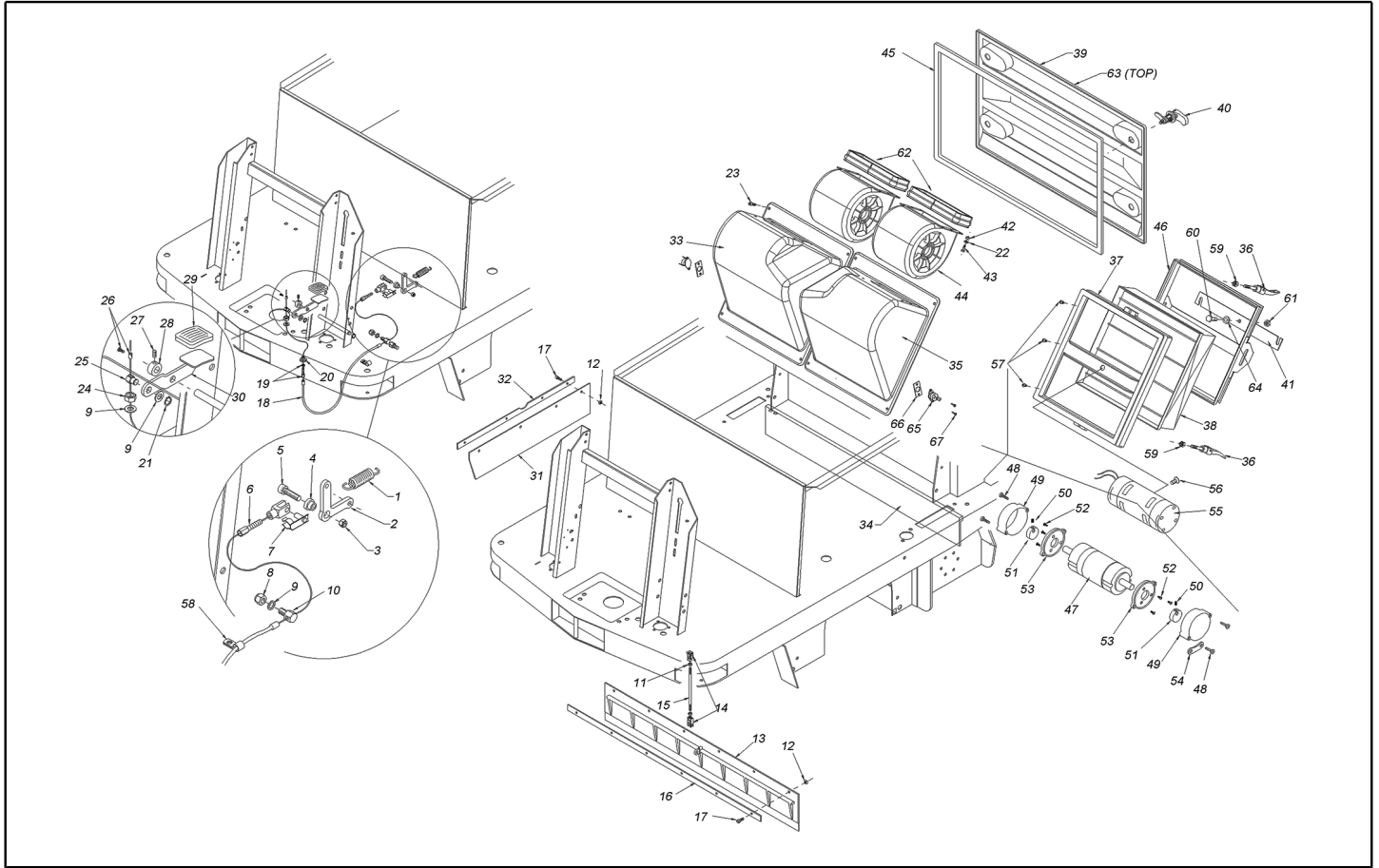
Ref. K	Part n.	Part n. 2	Description	Quantity	Validity		Price
					From	To	
0041	VTVT00450		SCREW TE 8X40 UNI5739	2,00			--
0042	VTDD00124		NUT M8 DIN985	2,00			--
0043	VTRS00512		WASHER D. 8 X24 ZC.	4,00			--
0044	VTVT00058		SCREW TCEI M 5X12 ZB U.5931	2,00			--
0045	VTRS00291		WASHER D. 5 X20 ZC UNI 6593	2,00			--
0046	LAFN47081		SPACER PROT.SEEGER SPAZ.LAT 1000	2,00			--
0047	LAFN06834		PROTECTION SPAZZOLA LATERALE	2,00			--
0048	LAFN06795		BRACKET LEVE SPAZZOLE LATERALI	2,00			--



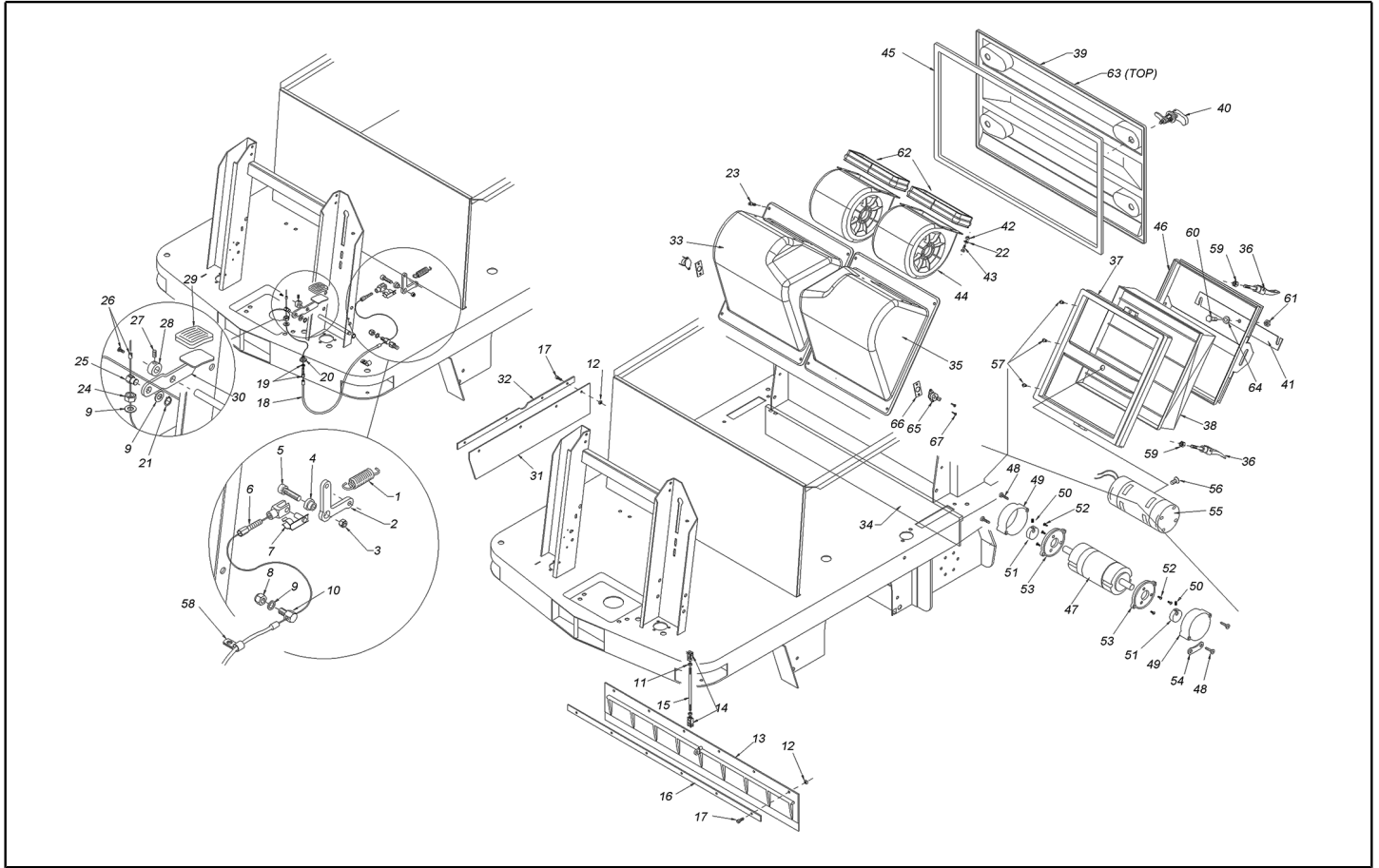
Ref. K	Part n.	Part n. 2	Description	Quantity	Validity		Price
					From	To	
0001	RDGR31335		MOTOR.GEARBOX BRACCIO LATERALE 100.605	1,00			--
0002	VTVR75730		KEY UNI 6606 3X3,7	1,00			--
0003	LAFN45321		COVER SUPP.VITE SENZA FINE 1400	1,00			--
0004	CUVR06174		BALL BEARING 6002-2RS1	2,00			--
0005	VTVT00098		SCREW AUTOF.TC UNI 6954 3,9X9,5	4,00			--
0006	LAFN47093		BRACKET X MICRO SICUR.CASS.1400zn	1,00			--
0007	VTVT62920		SCREW TE FR 6X16 ZB ZIGRINATE	10,00			--
0008	LAFN47094		SPACER SPALLAMENTO BRACCI TK1400	2,00			--
0009	VTVT45340		SCREW TSCE UNI 5933 8X16 ZB	2,00			--
0010	MTIG45320		SCREW SENZA FINE ROTAZ.CASS.POS	1,00			--
0011	LAFN45319		SUPPORT VITE SENZA FINE CASS.1400	2,00			--
0012	VTVT06237		SCREW TCCE UNI 5931 6X20 ZB	7,00			--
0013	LAFN45233		PAWL X RUOTA ELICOIDALE TK1400	1,00			--
0014	MECI44780		MICROSWITCH IP67 OMRON D2VVW-5L2A-1M	4,00			--
0015	LAFN45283		PLATE PORTA MICRO CASSET 1400zn	1,00			--
0016	VTVT19236		SCREW TCCE UNI 5931 5X20 ZB	2,00		27/02/2019	--
0016	VTVT00339		SCREW TCEI M5x20	2,00	28/02/2019		--
0017	LAFN47095		SPACER D.6X10X8 ZINCATO	2,00			--
0018	VTAE17003		CIRCLIP ESTERNO DIN 471 D.15	2,00			--
0019	LAFN47096		CONNECTING ROD COMAN.ROTAZ.CASS.1400 ZIN	1,00			--
0020	MTCR46479		TOOTHED WHEEL L.14 EL.	1,00			--
0021	MPVR47097		BUSHING GLYCODUR GLY.PG 30-34-15F	1,00			--
0022	LAFN47098		PIN X BRACCIO PARALLELOGRAMMO	1,00			--
0023	MPVR00006		BUSHING GLYCODUR GLY.PG 25-28-15F	1,00			--
0024	VTVT62920		SCREW TE FR 6X16 ZB ZIGRINATE	6,00			--
0025	VTDD00040		NUT M5 UNI7474	2,00		12/11/2023	--
0025	VTDD08171		NUT M 5 TEF	2,00	13/11/2023		--
0026	VTRS00502		WASHER D. 5 0.466 UNI 6592	4,00			--
0027	LAFN47099		SPACER BRACCIO PARALLELOGR.1400	1,00			--
0028	VTDD00124		NUT M8 DIN985	2,00			--
0029	LAFN47100		PIN L.14 SX	1,00			--
0030	LAFN47101		ARM PARALLEL.DX/SX TK1400 ZIN	1,00			--
0031	LAFN45284		COVER CHIUSURA ROTAZ.CASS.1400	1,00			--
0032	VTVT75719		SCREW TE FR 6X10 ZB ZIGRINATE	2,00			--
0033	GUVR45103		GASKET CASSETTO POSTERIORE 1400	1,00			--
0034	LAFN47102		PIN CASSETTO LATO TRASMISS.	1,00			--
0035	VTRS00503		WASHER D. 6 UNI 6592	18,00			--
0036	LAFN47103		DRAWER POSTERIORE TK1400 RAL7024	1,00			--
0037	VTVR47015		INSERT PLASTICA (MEDREVITE)	6,00			--
0038	VTVT00106		SCREW AUTOFIL. TC 3,5X14,5	6,00			--
0039	LAFN47104		DUCT LOCK FLAP	1,00			--
0040	MPVR45104		FLAP CASSETTO POSTER.TK1400	1,00			--
0041	MPVR47105		BUSHING GLYCODUR GLY.PG 25-28-25F	2,00			--
0042	LAFN47106		ARM SOLLEV.CASSET.TK1400 VERN	1,00			--



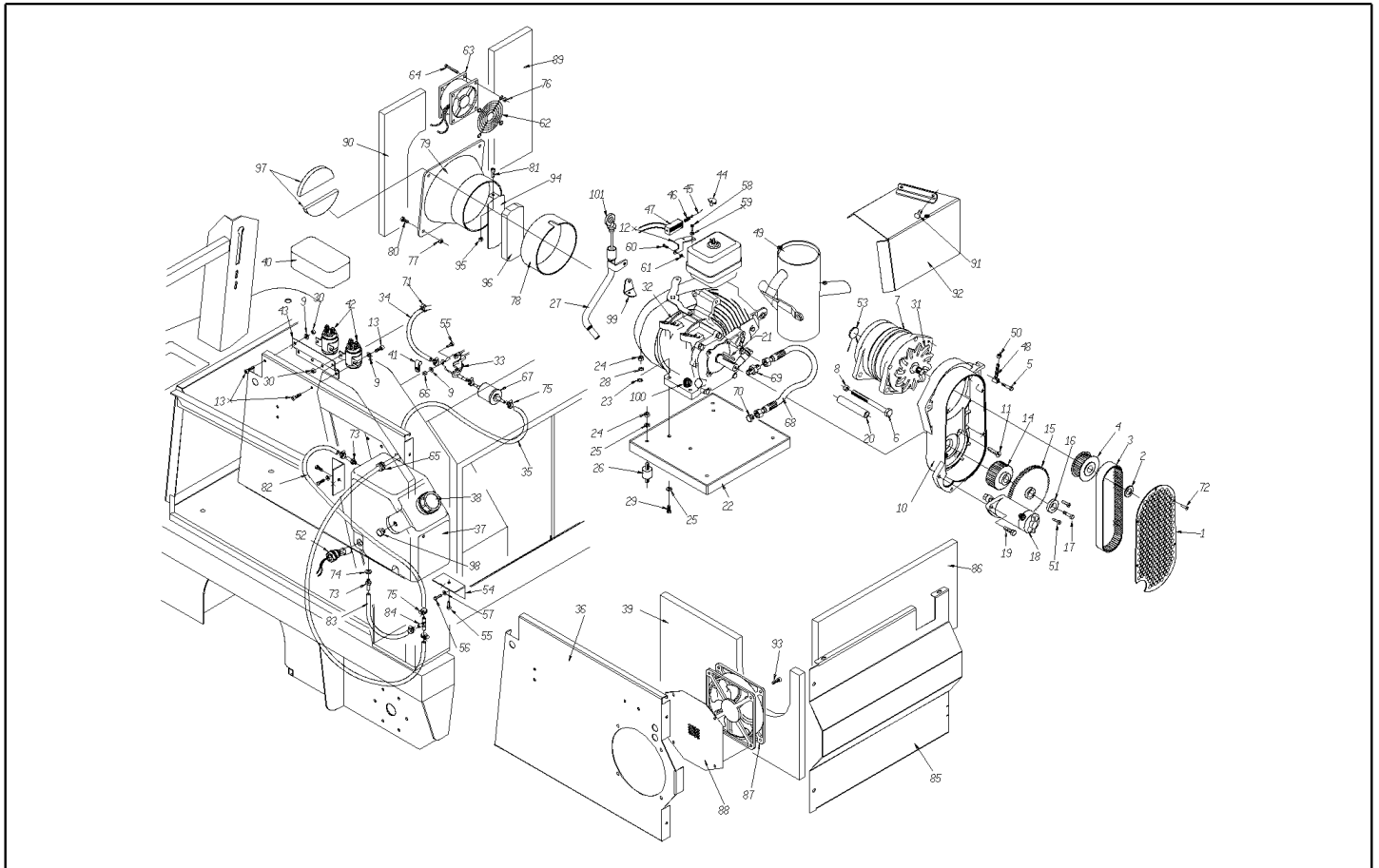
Ref. K	Part n.	Part n. 2	Description	Quantity	Validity		Price
					From	To	
0043	VTDD00491		NUT M 6 TEF	12,00			--
0044	VTDD46131		NUT UNI 5589 M20X1,5 BASSO ZB	1,00			--
0045	PIID45105		PISTON D.50 -ST25-C280	1,00			--
0046	TBAP45106		TUBE 3/16"MANDATA L.2140 1400	1,00			--
0047	VTRS00037		WASHER IN DAWTY 1/8	8,00			--
0048	RCDS47107		SCREW FORATA 1/8"	4,00			--
0049	TBAP45107		TUBE 3/16"RITORNO L.1880 1400	1,00			--
0050	CMCV47108		FORK M20 X15 +PN.	1,00			--
0051	LAFN01089		PROTECTION ANTIPOLVERE TK1400	1,00			--
0052	LAFN47110		PIN BRACCIO DX E CILIND. 1400	2,00			--
0053	VTVT09916		SCREW TBCE ISO 7380 6X20 ZB	3,00			--
0054	VTRS63242		WASHER UNI 6593 6X24X2 ZB	3,00			--
0055	RCVR00081		REDUCTION X CENTRALINA IDRAUL.1400	2,00		31/07/2007	--
0055	RCVR00191		REDUCTION 1/4"M-1/8"F L=25	2,00	01/08/2007	27/01/2009	--
0055	RCVR00081		REDUCTION X CENTRALINA IDRAUL.1400	2,00	28/01/2009		--
0056	VTRS47111		WASHER IN PVC 50X25X2 X MONTANT.	2,00			--
0057	LAFN47123		BUSHING L.14	2,00			--
0058	MPVR45285		SHEATH PROTEZ.CAVI ROTAZ.CASSET.	1,00			--
0059	LAFN47124		PIN BRACCIO LATO SX TK 1400	1,00			--
0060	VTVT17639		SCREW TCCE UNI 5931 5X10 ZB	4,00		31/07/2007	--
0060	VTVT75725		SCREW TBCE ISO 7380 6X10 ZB	2,00	01/08/2007	27/01/2009	--
0060	VTVT17639		SCREW TCCE UNI 5931 5X10 ZB	2,00	28/01/2009		--
0061	PPEL45108		MOTOR-DRIV.PUMP IDR. 24V L.14	1,00		31/07/2007	--
0061	PPEL00023		MOTOR-DRIV.PUMP IDR.24V UP50K5 ON 130	1,00	01/08/2007	27/01/2009	--
0061	PPEL45108		MOTOR-DRIV.PUMP IDR. 24V L.14	1,00	28/01/2009		--
0062	MPVR47125		BUSHING GLYCODUR GLY.PG 16-18-20F	1,00			--
0063	LAFN47126		BRACKET PORTA POMPA TK1400 ZICATO	1,00		31/07/2007	--
0063	LAFN07405		BRACKET ELETTROPOMPA 1404	1,00	01/08/2007	27/01/2009	--
0063	LAFN47126		BRACKET PORTA POMPA TK1400 ZICATO	1,00	28/01/2009		--
0064	VTVT00099		SCREW AUTOF.TC UNI 6954 3,9X13	4,00			--
0065	LAFN47127		BRACKET PORTAMICRO CILINDRO 1400	1,00			--
0066	VTVT09916		SCREW TBCE ISO 7380 6X20 ZB	1,00			--
0067	VTDD19688		NUT M6 UNI 7473	1,00			--
0068	VTDD00001		NUT UNI 5588 M3 ZB	1,00			--
0069	VTVT00019		SCREW TE UNI 5739 3X20 ZB	4,00			--
0070	VTVT00299		SCREW TSPEI M6x25 UNI5933	1,00			--
0071	LAFN45717		PLATE FISSACAVO RIB.CASSETTO	1,00			--
0072	VTVT00089		SCREW TCCE UNI 5931 4X10 ZB	1,00			--
0073	VTVT19472		SCREW TCCE UNI 5931 8X10 ZB	2,00			--
0074	VTRS04931		WASHER COPPER D.13X19X1.5	2,00	01/08/2007		--
0075	MECB00092		CABLE 27 CABLAG.SPAZZATR.TK1400	1,00			--



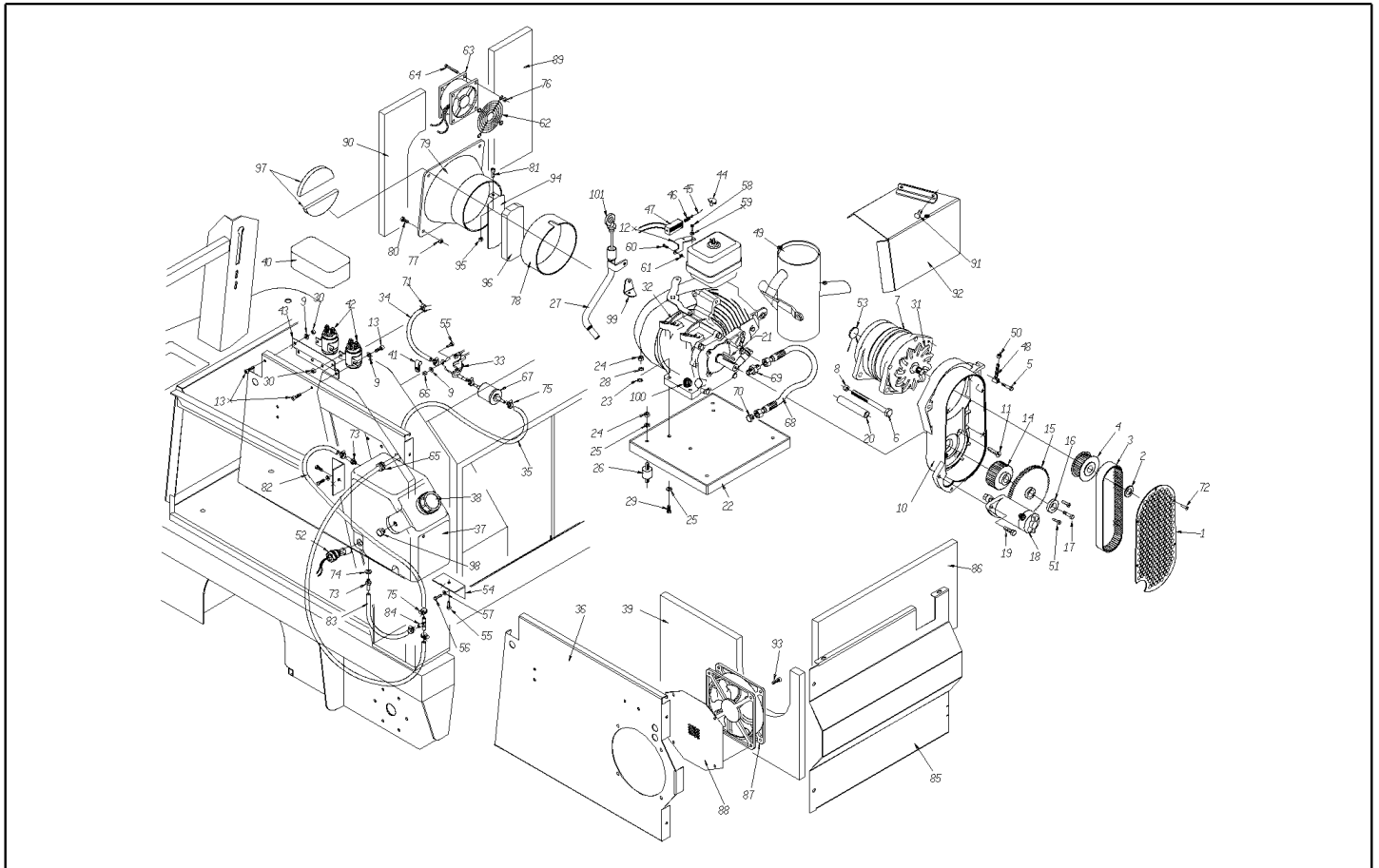
Ref. K	Part n.	Part n. 2	Description	Quantity	Validity		Price
					From	To	
0001	MLML45109		SPRING ALZAFLAP TK1400	1,00			--
0002	LAFN47128		LEVER RINVIO ALZAF.1400/300/200	1,00			--
0003	VTDD00124		NUT M8 DIN985	1,00			--
0004	LAFN47129		BUSHING RINVIO ALZAFLAP	1,00			--
0005	VTVT00448		SCREW TE 8X30 UNI5739	1,00			--
0006	CMCV87172		CABLE ALZA FLAP 2125404	1,00			--
0007	CMCV75717		CLIP UNI 1676 M6x12	3,00			--
0008	VTDD00012		NUT AUTOBLOK DIN 985 M12 ZB	1,00			--
0009	VTRS00506		WASHER D.12 UNI 6592	4,00			--
0010	LAFN75976		PIN GUIDA MOLLA ALZAFLAP 1000	1,00			--
0011	VTDD00482		NUT M 6 ZIN UNI 5588	2,00			--
0012	VTVR47015		INSERT PLASTICA (MEDREVITE)	10,00			--
0013	MPVR44781		RUBBER FLAP FRONT G1404-G1400	1,00			--
0014	CMCV76639		FORK M 6 UNI 1676	2,00			--
0014	CMCV75717		CLIP UNI 1676 M6x12	2,00			--
0015	LAFN47130		PIN TIRANTE ALZAFL.ZINC. 1400	1,00			--
0016	LAFN47131		SHEET METAL PA. FLAP ANTERIORE	1,00			--
0017	VTVT00044		SCREW TC AF.X PLAS UNI9707 4X16	6,00			--
0018	CMCV47132		SHEATH L.14 A.FLAP	1,00			--
0019	CMCV75723		REGISTER D.7	1,00			--
0020	LAFN75975		PIN CENTRAG.FILO PEDALE FRENO	1,00			--
0021	VTAE14016		SEEGER ESTERNO DIN 471 D.12	1,00			--
0022	VTRS04026		WASHER D. 6X18X2.38	8,00			--
0023	VTVT00092		SCREW TBCE ISO 7380 6X22 ZB	8,00			--
0024	VTDD01682		NUT M12 ZC UNI 5588	1,00			--
0025	LAFN75973		PIN FISSAG.CAVI FERMA FLAP	1,00			--
0026	CMCV75737		CLAMP D.7 art.857	1,00			--
0027	VTVT75731		GRUB SCREW UNI 5923 6X5	4,00			--
0028	LAFN47030		BUSHING FISS.PEDALE FRENO FORATA	1,00			--
0029	MPVR45096		PEDAL COVER GRANDE V1021	1,00			--
0030	LAFN47133		PEDAL ALZAFLAP TK1400 ZINCATO	1,00			--
0031	MPVR04669		FLAP Flap RH/LH SIDE 1404	1,00			--
0032	LAFN06601		PLATE FISSA FLAP	1,00			--
0033	MPVR04898		SUPPORT ASPIRATORE DX	1,00			--
0034	MPVR45327		FLAP POSTER.FISSO TK1400	1,00			--
0035	MPVR04896		SUPPORT ASPIRATORE SX	1,00			--
0036	PMVR01208		LEVER FISSA FILTRO G1404	4,00			--
0037	LAFN47137		FRAME PORTA FILTRO	2,00			--
0038	FTDP48536		FILTER L.14000 CAR. 2V.	2,00			--
0039	MPVR45784		COVER CHIUSURA FILTRO	1,00			--
0040	CHVR26517		DRAWER CLOSURE LOLY 50	4,00			--
0041	LAFN06599		PLATE FISSA FILTRO	2,00			--
0042	VTDD00491		NUT M 6 TEF	8,00			--
0043	VTVT75726		SCREW TBCE ISO 7380 6X16 ZB	8,00			--



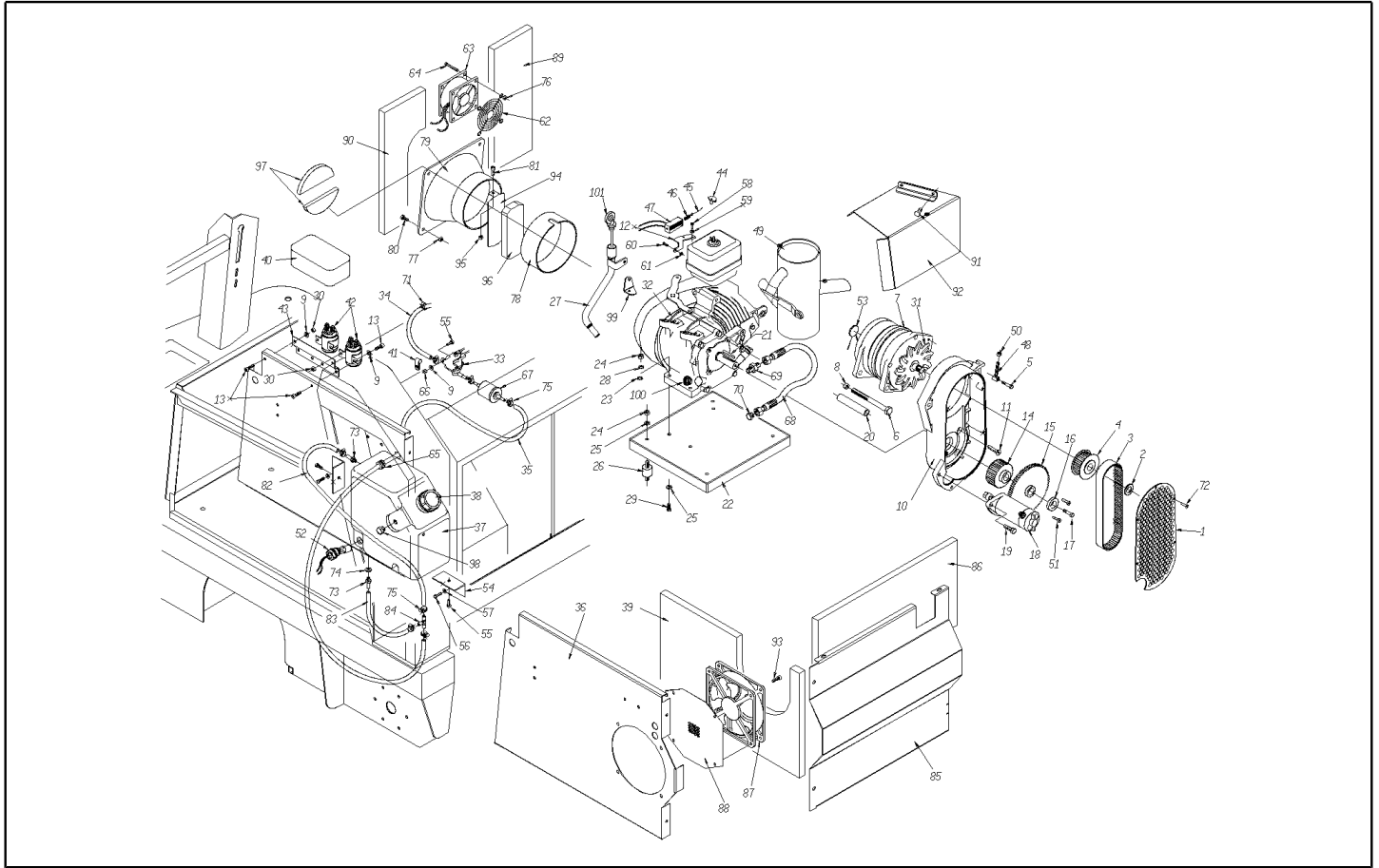
Ref. K	Part n.	Part n. 2	Description	Quantity	Validity		Price
					From	To	
0044	MOCC00008		MOTOR SUCTION GENIUS SWEEPER	2,00			--
0045	GUVR46899		GASKET COPERCHIO	1,00			--
0046	LAFN01031		FRAME FISSA FILTRO	2,00			--
0047	MOCC00004		MOTOR D.63 24V G3800 W35	2,00			--
0048	VTVT47138		SCREW AUTOF.TSP UNI 6955 3,9X32	8,00			--
0049	LAFN47139		COVER PROTEZIONE MASSE SCUOTIF.	4,00			--
0050	VTVT75731		GRUB SCREW UNI 5923 6X5	4,00			--
0051	LAFN47140		BUSHING CONTRAPPESO PER SCUOTIFIL	4,00			--
0052	VTVT76616		SCREW TSCE UNI 5933 4X12 ZB	12,00			--
0053	MFVR47141		FLANGE X MOTORE SCUOTIFILTRO	4,00			--
0054	MPVR00765		RUBBER FISSAGGIO FILO SCUOTIFIL.	2,00			--
0055	MOCC45112		MOTOR FILTER SHAKER 24V	2,00			--
0056	VTVT47143		SCREW TSCE UNI 5933 10X16 ZB	2,00			--
0057	VTVT13515		SCREW TSPEI M6x16 UNI5933 10.9	8,00			--
0058	FSVR00005		CLAMP D.10 F.8,5 Inox430	1,00			--
0059	VTDD00483		NUT M 8 ZIN UNI 5588	4,00			--
0060	VTVT75724		SCREW TBCE ISO 7380 8X22 ZB	2,00			--
0061	VTDD00124		NUT M8 DIN985	2,00			--
0062	GUGO00305		GASKET ASPIRATORE	2,00			--
0063	ETET01404		LABEL TOP	1,00			--
0064	VTRS00504		WASHER D. 8 ZC. UNI 6592	2,00			--
0065	METK00017		SENSOR TEMPERATURE 70°C	2,00	26/02/2020		--
0066	GUGO00675		GASKET -	2,00	26/02/2020		--
0067	VTVT00820		SCREW TC+ M.3,5-10	4,00	26/02/2020		--



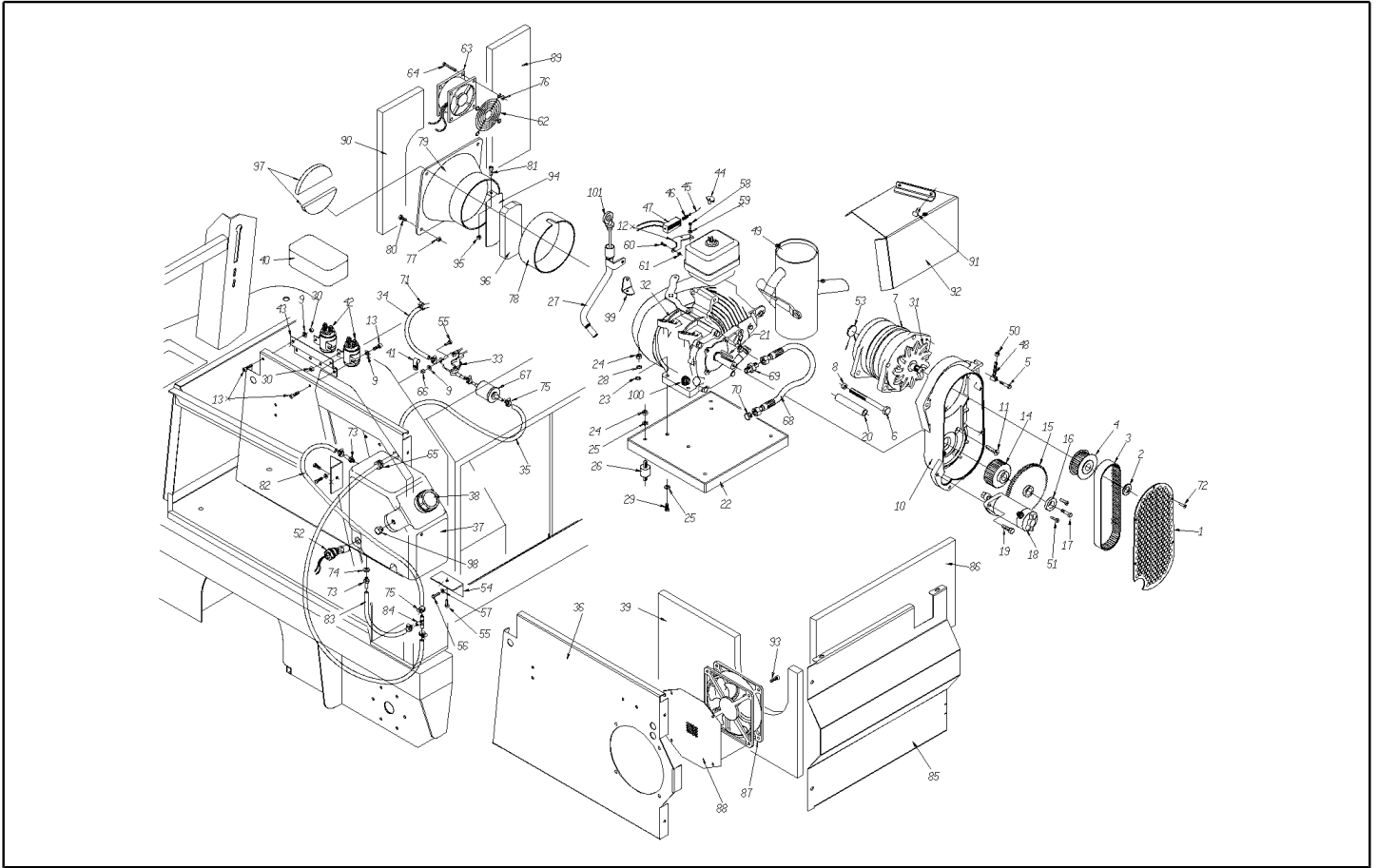
Ref. K	Part n.	Part n. 2	Description	Quantity	Validity		Price
					From	To	
0001	LAFN47152		BRACKET PROTEZIONE	1,00			--
0002	LAFN00271		NUT FISSA PULEGGIA ALTERNA.	1,00			--
0003	MTCG44555		BELT DENTATA DAYCO/ISORAN	1,00			--
0004	MTPL45322		PULLEY ALTERN.40-RPP5-25	1,00			--
0005	VTVT28307		SCREW TCCE UNI 5931 10X70 ZN	1,00			--
0006	VTVT16260		SCREW TE UNI 5737 10X160 ZB	1,00			--
0007	ARGN00004		ALTERNATOR 28V-80A	1,00			--
0008	VTDD00042		NUT AUT.M10 UNI7474	1,00			--
0009	VTRS00503		WASHER D. 6 UNI 6592	2,00			--
0010	MFVR47154		SUPPORT MOTORINO TK1400 DP	1,00			--
0011	VTVT63134		SCREW M 8X25 TSPEI ZC UNI 5933	4,00			--
0012	S LAFN47155		BRACKET PORTA SOLENOIDE	1,00		19/04/2017	--
0013	VTVT62920		SCREW TE FR 6X16 ZB ZIGRINATE	4,00			--
0014	MTPL45323		PULLEY MOT.HONDA 44-RPP5-25 1400	1,00			--
0015	MTCR45720		TOOTHED WHEEL Z. 80 P 1.75	1,00			--
0016	LAFN06832		WASHER BLOCCA INGRANAGGIO	1,00			--
0017	VTVT00448		SCREW TE 8X30 UNI5739	1,00			--
0018	MOCC45115		MOTOR 24V 300W SX	1,00			--
0019	VTVT01119		SCREW TCCE UNI 5931 8X30 ZB	2,00			--
0020	LAFN47157		SPACER X ALTERNATORE X 1400 DP	1,00			--
0021	VTVR47158		KEY X MOTORE HONDA 5X5X41	1,00			--
0022	LAFN47159		PLATE SUPPOR.MOT.HONDA 6.5HP ZN	1,00			--
0023	VTRS00504		WASHER D. 8 ZC. UNI 6592	8,00			--
0024	VTDD00124		NUT M8 DIN985	10,00			--
0025	VTRS00512		WASHER D. 8 X24 ZC.	8,00			--
0026	ABGO00007		VIBRATION DAMP. MM 30X25 8X16	4,00			--
0027	LAFN06796		HOSE ASTA LIVELLO OLIO	1,00			--
0028	VTRS01080		WASHER D. 8 GRW	4,00			--
0029	VTVT00450		SCREW TE 8X40 UNI5739	4,00			--
0030	VTDD00491		NUT M 6 TEF	2,00			--
0031	VEVR47160		IMPELLER RAFFRED.ALTERNATORE	1,00			--
0032	MOSC47149		MOTOR HONDA GX200-SX-4-OH	1,00			--
0033	MEEV47161		SOLENOID VALVE 24 V	1,00			--
0034	TBBP00021		TUBE COMBUSTUBILE L=80 cm	1,00			--
0036	LAFN06976		SPACER VANO MOTORE	1,00			--
0037	MPVR00280		TANK CARBURANTE TK1400 DIESEL	1,00			--
0038	MPVR47165		CAP CON VALV.SERBAT.CARB.LT.5	1,00			--
0039	ITSO00045		PANEL ISOLATORE	1,00			--
0040	MPVR47166		CRANKCASE PROTEZIONE TELERUT.TK1400	1,00			--
0041	FSVR00005		CLAMP D.10 F.8,5 Inox430	5,00			--
0042	METT45116		CONTACTOR T106P 24V 100%	2,00			--
0043	LAFN47167		BRACKET PORTA TELERUT.TK1400 ZINC	1,00			--
0044	S MEVR45117		ROKER SOLENOIDE ARIA MOTORE	1,00		19/04/2017	--
0045	S MEVR45118		CONNECTING ROD X SOLENOIDE TK1400	1,00		19/04/2017	--



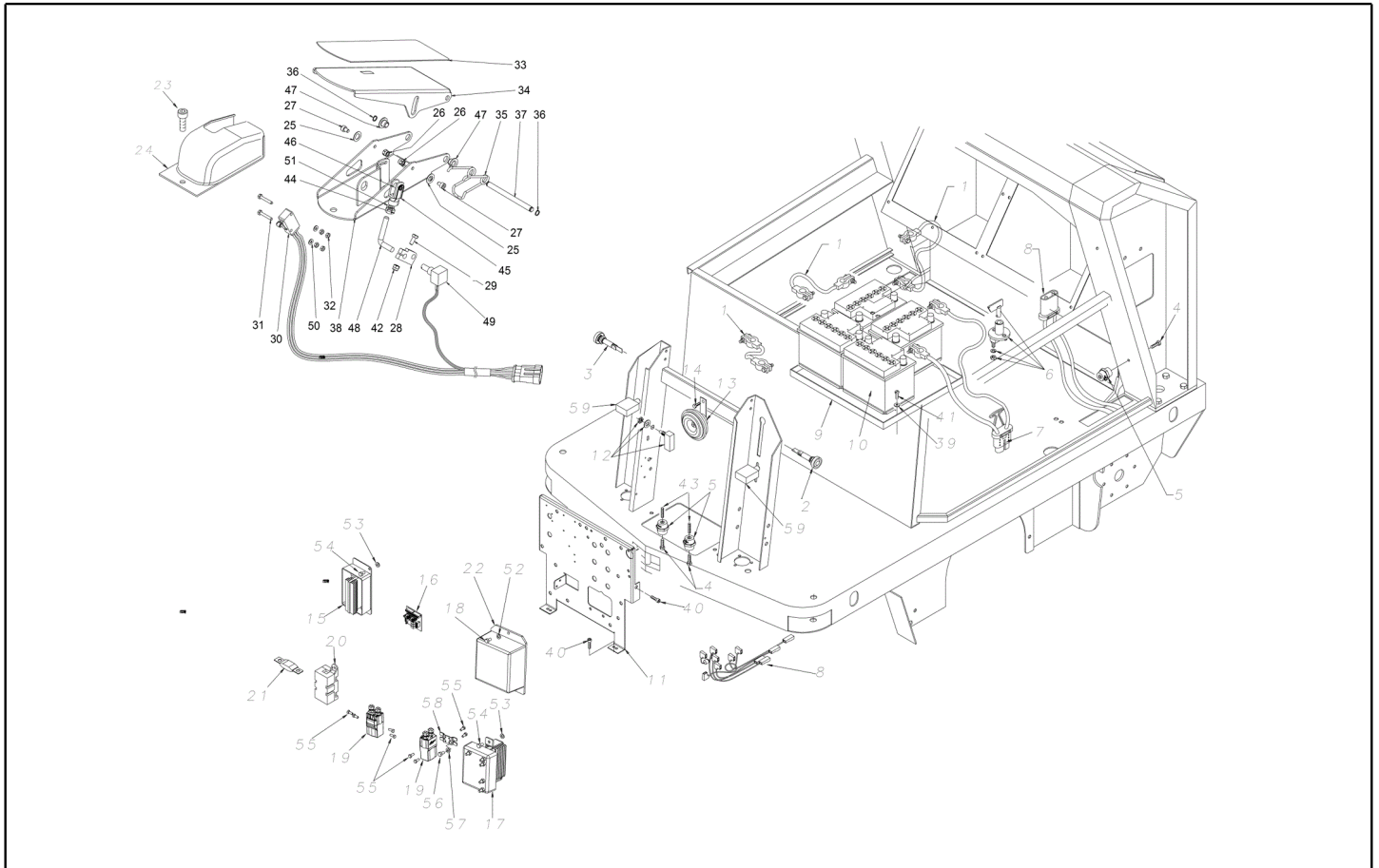
Ref. K	Part n.	Part n. 2	Description	Quantity	Validity		Price
					From	To	
0046	MLML45119		SPRING PER SOLENOIDE TK1400	1,00		07/10/2014	--
0046	S MLML00348		SPRING -	1,00	08/10/2014	19/04/2017	--
0047	MEVR45120		SOLENOID K9B-36DL-1041	1,00		07/10/2014	--
0047	MEVR02100		SOLENOID RS 349-715	1,00	08/10/2014	19/04/2017	--
0048	LAFN47168		BELT-STRETCHER ALTERNATORE TK1400	1,00			--
0049	MRSC00069		SILENCER HD COMPLETA	1,00			--
0050	VTDD19688		NUT M6 UNI 7473	1,00			--
0051	VTVT00066		SCREW TCCE UNI 5931 8X25 ZB	2,00			--
0052	MECI85110		SWITCH S1.PML.M16	1,00			--
0053	METK47170		PROBE F11-140° NC	1,00			--
0054	LAFN47171		BRACKET FISS.SERBATOIO CARB.1400	1,00			--
0055	VTVT75719		SCREW TE FR 6X10 ZB ZIGRINATE	2,00			--
0056	VTVT17639		SCREW TCCE UNI 5931 5X10 ZB	2,00			--
0057	VTRS15958		WASHER UNI 6592 5X15X1,5 ZB	2,00			--
0058	VTVT10068		SCREW TCTC UNI 7687 3X5 ZB	2,00			--
0059	VTRS27296		WASHER GROWER 3 ZNT	2,00			--
0060	VTVT00107		SCREW TCTC UNI 7687 3X12 ZB	1,00			--
0061	VTDD00001		NUT UNI 5588 M3 ZB	1,00			--
0062	LAFN00009		BRACKET PROTEZIONE	1,00			--
0063	VEVR45113		IMPELLER 24V KDE 2412-PMS1 6A	1,00			--
0064	VTVT72043		SCREW TCTC UNI 7687 4X16 ZB	8,00			--
0065	MEVR00094		FAIR-LEAD EGP15-20S.60 PAS1	1,00			--
0066	VTDD00482		NUT M 6 ZIN UNI 5588	2,00			--
0067	FTCO00008		FILTER FB 1/A	1,00			--
0068	TBBP47172		TUBE OLIO D.6mm 300F/F 1/4"	1,00			--
0069	RCDS47173		NIPPLE 1/4 -M10X1.25	1,00			--
0070	RCDS00002		CAP 1/4" X IMPIANTO IDRAULICO	1,00			--
0071	FSVR19693		CLAMP D. 7-11	1,00			--
0072	VTVT00005		SCREW TE M 5X 12 F/ROND.ZIGR	5,00			--
0073	LAFN01091		HOSE FITTING SERBATOIO CARBURANTE 1400	1,00			--
0074	GUVR47174		GASKET PORTAGOMMA SERB.BENZ.1400	2,00			--
0075	FSVR19692		CLAMP D. 11-16 VT	9,00			--
0076	VTDD00039		NUT M 4 AB UNI7474 ZC 10/8G	8,00			--
0077	VTDD00491		NUT M 6 TEF	4,00			--
0078	GUVR45977		GASKET CONV.ARIA 1400/1300/1400	1,00			--
0079	LAFN45978		CONVEYOR ARIA MOTORE SCOPPIO 1400	1,00			--
0080	VTVT75726		SCREW TBCE ISO 7380 6X16 ZB	4,00			--
0081	VTVT75725		SCREW TBCE ISO 7380 6X10 ZB	2,00			--
0082	TBBP00022		TUBE COMBUSTIBILE L=50cm	1,00			--
0083	TBBP00022		TUBE COMBUSTIBILE L=50cm	1,00			--
0084	RCVR00083		CONNECTOR A "T"	1,00			--
0085	LAFN06977		SHEET METAL PA. PARATIA VANO MOTORE	1,00			--
0086	ITSO00044		PANEL ISOLATORE PORTASEDILE	1,00			--
0087	MOCC00283		IMPELLER VANO MOTORE	1,00			--



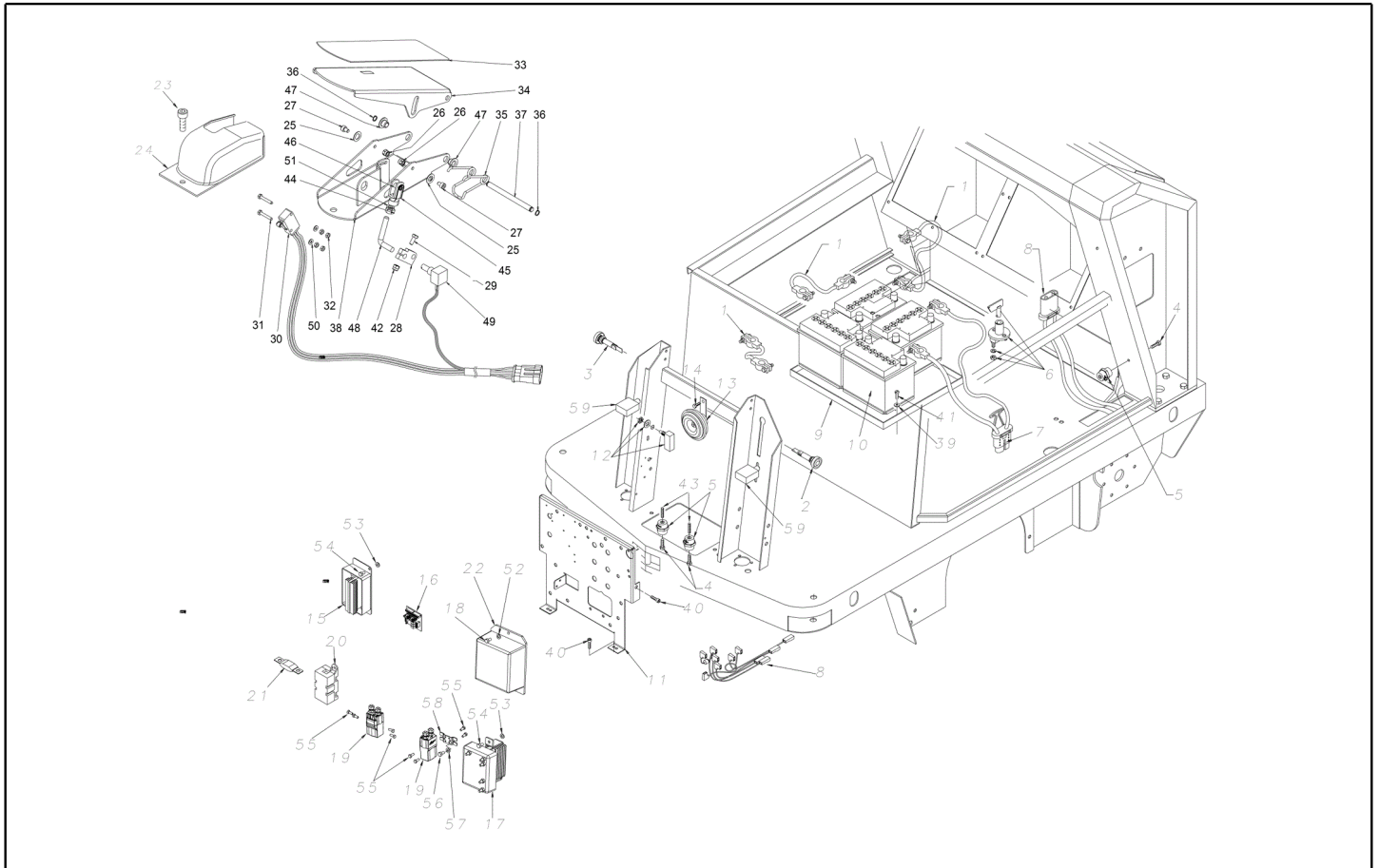
Ref. K	Part n.	Part n. 2	Description	Quantity	Validity		Price
					From	To	
0088	LAFN06301		BRACKET PROTEZIONE	1,00			--
0089	ITSO00050		PANEL ISOLATORE	1,00			--
0090	ITSO00048		PANEL ISOLATORE	1,00			--
0091	VTVT01532		SCREW TE 6X25 UNI5739	2,00			--
0092	LAFN06975		CONVEYOR ARIA	1,00			--
0093	VTVT62920		SCREW TE FR 6X16 ZB ZIGRINATE	4,00			--
0094	LAFN06980		SHEET METAL PA. PARZIALIZZATORE	1,00			--
0095	VTDD86633		NUT AUTO BLOCK M6 DIN 985	2,00			--
0096	ITSO00049		PANEL ISOLATORE	1,00			--
0097	ITSO00007		PANEL FONOASS.MEZZALUNA DIESEL	2,00			--
0098	RCDS00002		CAP 1/4" X IMPIANTO IDRAULICO	1,00			--
0099	LAFN06838		BRACKET FISSA ASTA OLIO	1,00			--
0100	MPVR04911		RUBBER ASTA LIVELLO OLIO	1,00			--
0101	TBBP00383		ROD LIVELLO OLIO	1,00			--



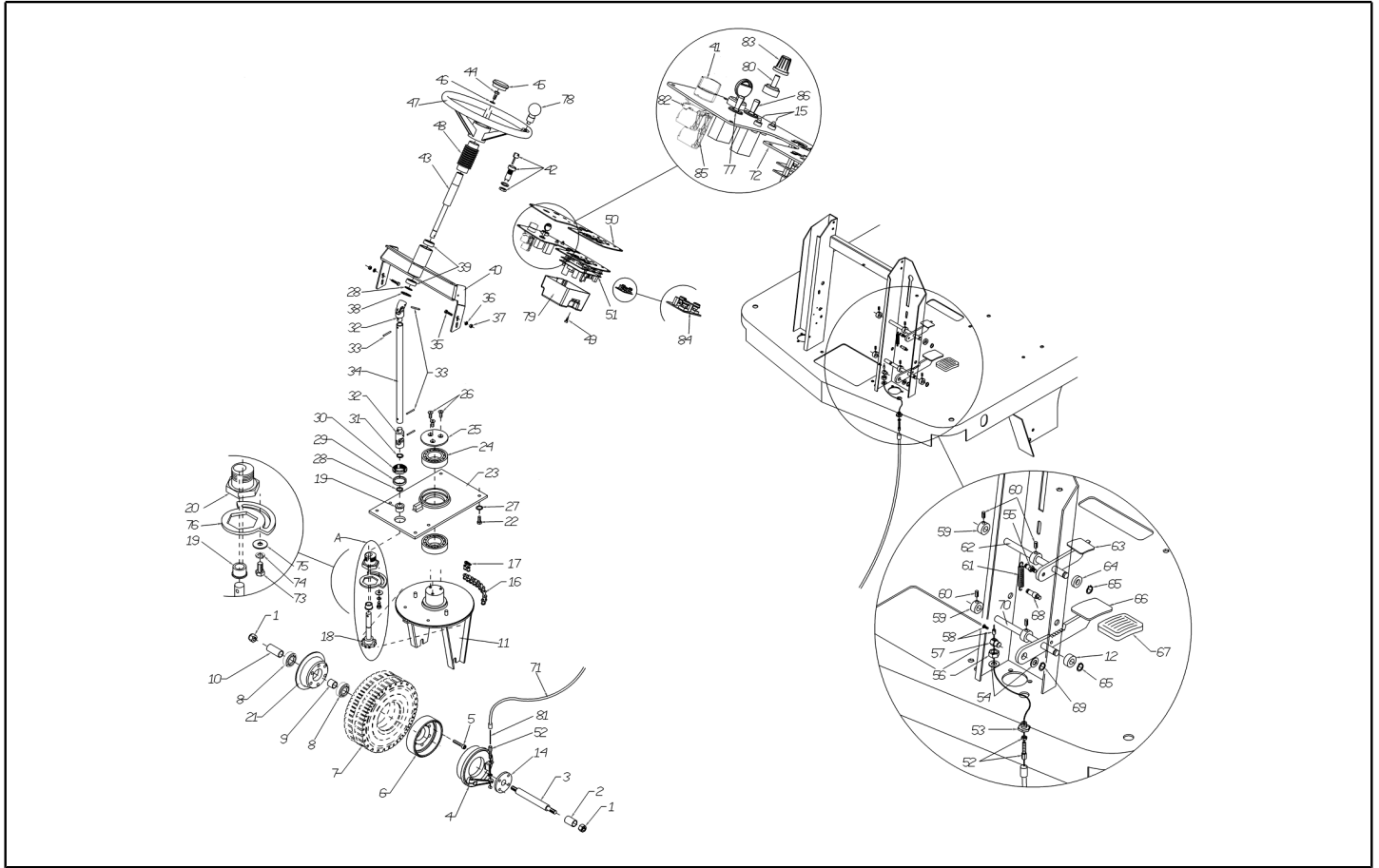
Ref. Part n.	Part n. 2	Description	Reference	Price
KTRI05093		KIT AIR CHOKE HONDA GX200	0012 0044 0045 0046	--



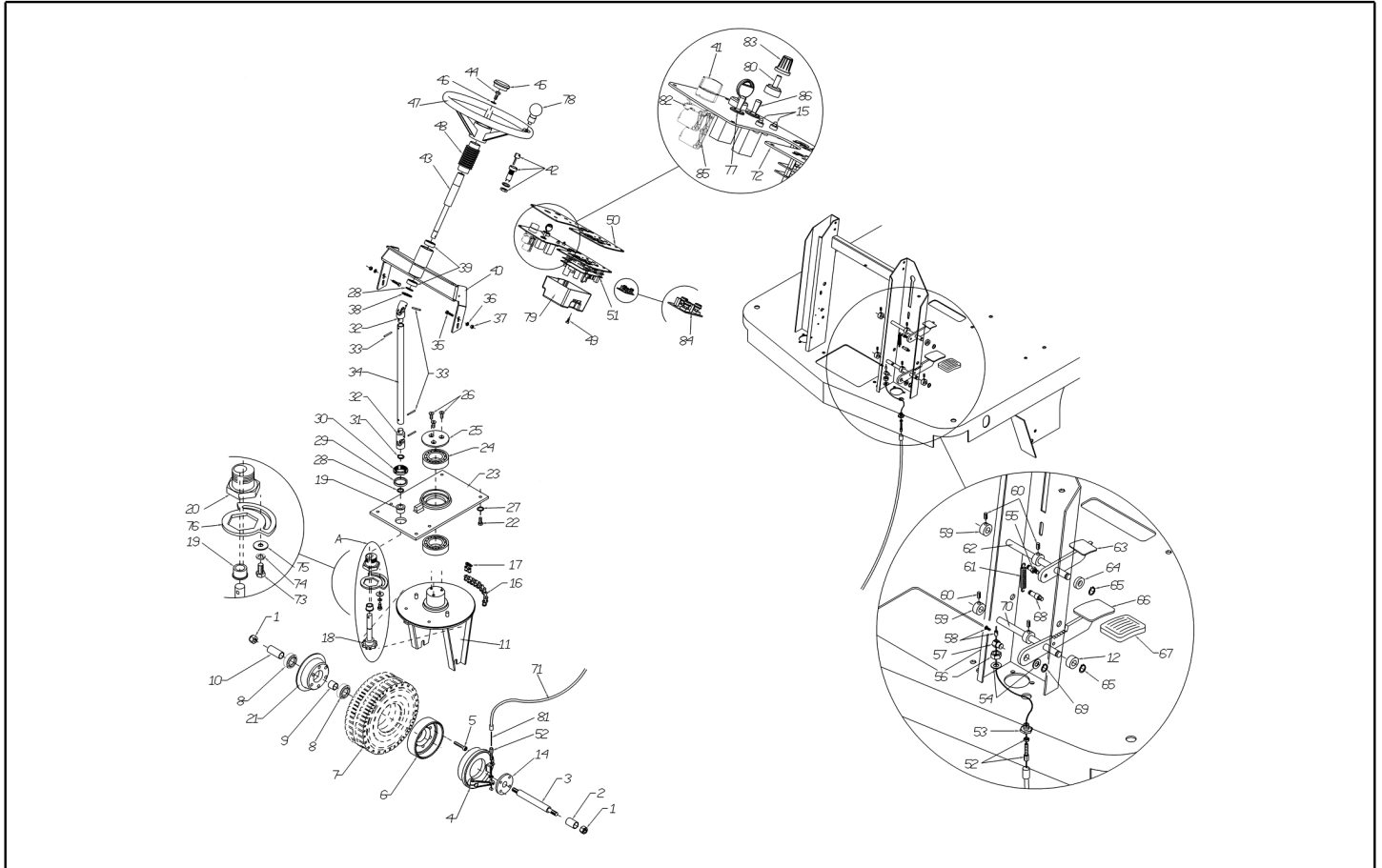
Ref. K	Part n.	Part n. 2	Description	Quantity	Validity		Price
					From	To	
0001	MEVR34820		WIRING BATTERY BRIDGE W/TERMINAL	3,00			--
0002	MECI00026		BUTTON PIATTO ROTONDO D.22 ROSSO	1,00			--
0003	MECI00028		SWITCH EMERGENCY 24V - RED	1,00			--
0004	VTVT75719		SCREW TE FR 6X10 ZB ZIGRINATE	2,00			--
0005	MEVR47082		INSULATOR MM35 M6 CH 32	3,00			--
0006	AZMC75803		KEY SW 1000	1,00			--
0007	MECB44780		WIRING BATTERIA	1,00			--
0008	MEVR01665		PLUG CHARGER SBC160	1,00			--
0009	LAFN46836		CONTAINER BATTERIA TK1400	1,00			--
0011	LAFN06784		PLATE SUPPORTO ELETTRONICA	1,00		09/07/2012	--
0011	LAFN09188		BRACKET -	1,00	10/07/2012		--
0012	MECI75801		MICROSWITCH A PISTONE (MS/10-Z15GC)	2,00			--
0013	MEVR47083		HORN 24 V	1,00			--
0014	VTVT85116		SCREW AUTOF.TE FR 6,3X19 ZB	1,00			--
0015	MECE00420		BOARD HOPPER LIFTING 1404	1,00			--
0016	MECE45124		PCB RELE TK1400	1,00			--
0017	MECE00552		BOARD 1404	1,00			--
0018	VTVT14062		SCREW TE UNI 5739 5X16 ZB A.8.8	3,00			--
0019	METT00085		CONTACTOR 100A	2,00			--
0020	MEVR00146		FUSE-HOLDER MEGA	1,00			--
0021	MEVR01925		FUSE 150A	1,00			--
0022	MECE00555		BOARD CURTIS 1227-2102	1,00			--
0023	VTVT62920		SCREW TE FR 6X16 ZB ZIGRINATE	1,00			--
0024	MPVR00302		CRANKCASE PEDALE AVANZAMENTO	1,00			--
0025	MPVR05528		WASHER -	2,00			--
0026	VTDD04369		NUT M 4 TEF UNI 7473	2,00			--
0027	VTVT00089		SCREW TCCE UNI 5931 4X10 ZB	2,00			--
0028	LAFN01149		CONNECTING ROD PEDALE AVANZAMENTO G1050	1,00			--
0029	VTVT00727		SCREW TE M. 4-20	1,00			--
0030	MECB01228		WIRING -	1,00			--
0031	VTVT01350		SCREW M3-20 INOX	2,00			--
0032	VTDD21115		NUT M 3 INOX	2,00			--
0033	MPVR00866		PLANE ANTISDRUCCIOLO G1050	1,00			--
0034	LAFN06474		SHEET METAL PA. PEDALE	1,00			--
0035	MLML00034		SPRING PEDALE AVANZAMENTO G1050	1,00			--
0036	VTAE48552		CIRCLIP ESTERNO DIN 471 D.6	2,00			--
0037	LAFN00524		PIN PEDALE TK 1050	1,00			--
0038	LAFN07532		BASE -	1,00			--
0039	VTRS00503		WASHER D. 6 UNI 6592	4,00			--
0040	VTVT62920		SCREW TE FR 6X16 ZB ZIGRINATE	4,00			--
0041	VTVT75726		SCREW TBCE ISO 7380 6X16 ZB	4,00			--
0042	VTDD04369		NUT M 4 TEF UNI 7473	1,00			--
0043	VTVT47088		GRUB SCREW UNI 5923 6X30 GREZZO	2,00			--
0044	VTDD00482		NUT M 6 ZIN UNI 5588	1,00			--



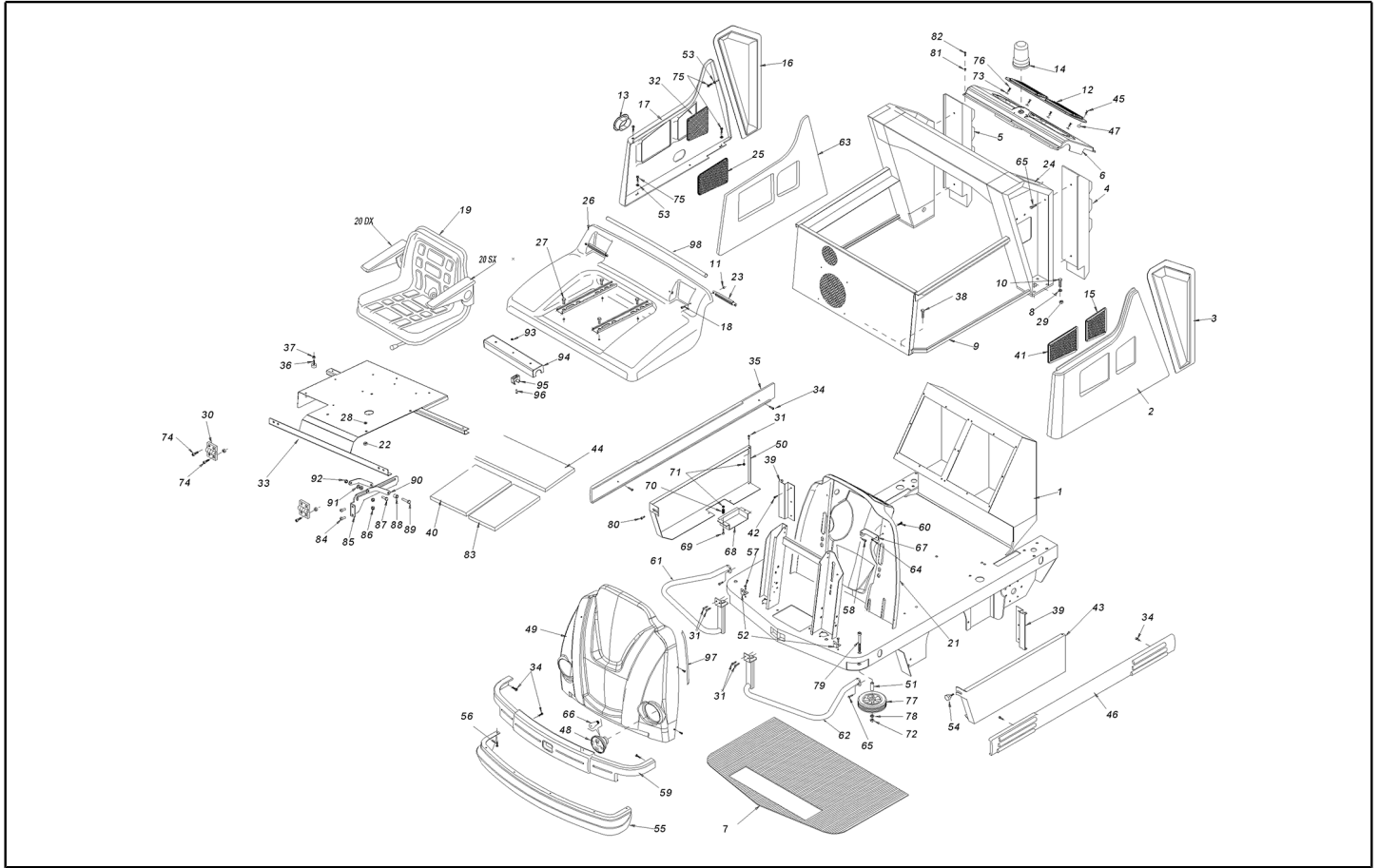
Ref. K	Part n.	Part n. 2	Description	Quantity	Validity		Price
					From	To	
0045	CMCV75717		CLIP UNI 1676 M6x12	1,00			--
0046	CMCV76639		FORK M 6 UNI 1676	1,00			--
0047	CUVR00183		BUSHING -	2,00			--
0048	LAFN00909		BRACKET BIELLETTA PEDALE	1,00			--
0049	MECB01227		WIRING ACCELERATOR	1,00			--
0050	VTRS00117		WASHER 3.2X7 UNI6592	4,00			--
0051	VTRS01079		WASHER D. 6 GROWER	1,00			--
0052	VTRS00502		WASHER D. 5 0.466 UNI 6592	3,00			--
0053	VTRS00365		THICKNESS 18X25X1	4,00			--
0054	VTVT01127		SCREW TE M6x20	4,00			--
0055	VTVT62916		SCREW TE M5X12 ZN UNI 5739-8.8	8,00			--
0056	VTVT21295		SCREW TE UNI 5739 5X20 ZB	2,00			--
0057	VTRS08013		WASHER D. 5 GRW	2,00			--
0058	LAFN07345		BRACKET TL10	1,00			--
0059	METT00044		FUSE CIRCUIT BREAKER 10A	2,00	22/11/2012		--



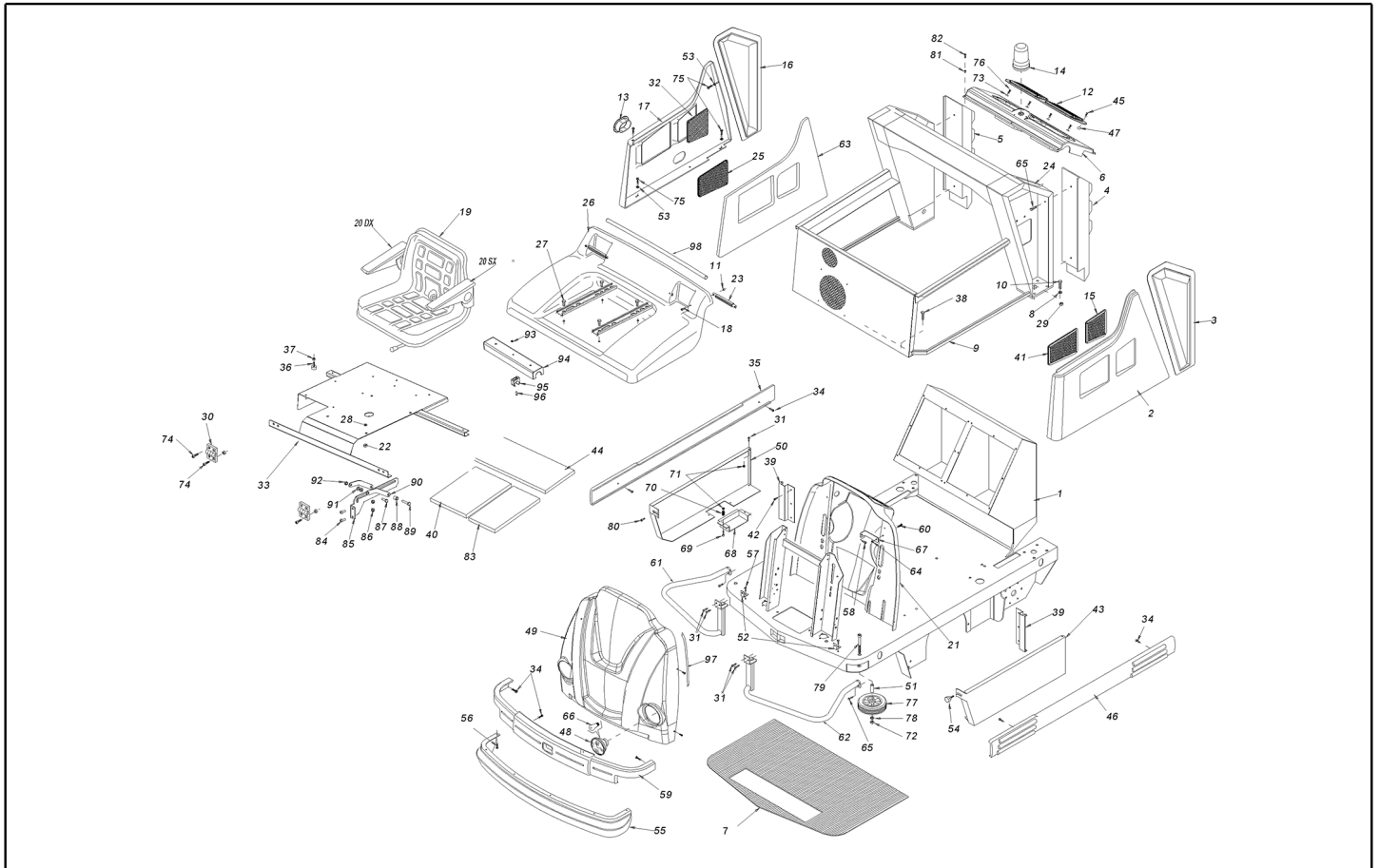
Ref. K	Part n.	Part n. 2	Description	Quantity	Validity		Price
					From	To	
000A	KTRI46514		ECCENTRIC BUSH. TK1000 COMPLETA	1,00			--
0001	VTDD00012		NUT AUTOBLOK DIN 985 M12 ZB	2,00			--
0002	LAFN47017		SPACER D.20X24X55 ZINCATO	1,00			--
0003	LAFN45089		WHEEL PIN ANTERIORE TK1400	1,00			--
0004	RTRT45090		BRAKE PORTACEPPO D.125 TK1400	1,00			--
0005	VTVT00066		SCREW TCCE UNI 5931 8X25 ZB	6,00			--
0006	LAFN45091		HUB RUOTA ANTER.FRENO TK1400	1,00			--
0007	RTRT45132		WHEEL SUPERELAST.BA-MA 4.00X4'	1,00			--
0008	CUVR08998		BALL BEARING 6204 2RS1	2,00			--
0009	LAFN45336		SPACER D.20X24X22 ZINCATO	1,00			--
0010	LAFN47018		SPACER D.20X24X35 ZINCATO	1,00			--
0011	LAFN45092		SUPPORT RUOTA ANTER.ZINC.MODIF.	1,00			--
0012	LAFN47019		BUSHING FISSAGGIO PEDALE FRENO	1,00			--
0014	LAFN45872		FLANGE PORTACEPPO TK1400 ZINCATA	1,00			--
0015	MEVR00141		OIL WARN-LIGHT LED OLIO,BENZINA TK1400	1,00			--
0016	MTCR45093		CHAIN STERZO 3/8" 92 RULLI	1,00			--
0017	MTCR47037		JOINT 3/8 PER CATENA TK 1000	1,00			--
0018	LAFN75974		PIN RINVIO RUOTA ANTER.TK1000	1,00			--
0019	LAFN75841		BUSHING CENTR.PIGNONE RUOTA ANT.	2,00			--
0020	LAFN75842		BUSHING ECCNTRICA TENDICATENA	1,00			--
0021	LAFN45083		HUB RUOTA ANTER/POST.TK1400	1,00			--
0022	VTVT00447		SCREW TE 8X25 UNI5739	6,00			--
0023	LAFN45094		FLANGE FISSAG.RUOTA ANT.1400 ZIN	1,00			--
0024	CUVR75816		BEARING 51112	2,00			--
0025	LAFN47004		WASHER BLOCCA RAL	1,00			--
0026	VTVT00014		SCREW TE UNI 5739 8X20 CL.10.9	3,00			--
0027	VTRS01080		WASHER D. 8 GRW	6,00			--
0028	LAFN47020		THICKNESS 15X22X1	2,00			--
0029	LAFN75913		SPACER BOCCOLA ECCENTRICA TK1000	1,00			--
0030	VTVR75747		RING NUT AUTOBLOK M35X1,5 GUK	1,00			--
0031	VTAE17003		CIRCLIP ESTERNO DIN 471 D.15	1,00			--
0032	VTVR47021		ARTICULATION CARDANICO D.5 D.15	2,00			--
0033	VTVR46987		ELASTIC PLUG DIN 1481 5X25	4,00		08/09/2015	--
0033	VTVR00327		PLUG -	4,00	09/09/2015		--
0034	LAFN47022		SHAFT STERZO TK1000 TIPO NUOVO	1,00			--
0035	VTVT62920		SCREW TE FR 6X16 ZB ZIGRINATE	4,00			--
0036	VTRS04026		WASHER D. 6X18X2.38	4,00			--
0037	VTDD00491		NUT M 6 TEF	4,00			--
0038	VTAE17003		CIRCLIP ESTERNO DIN 471 D.15	1,00			--
0039	CUVR00005		BEARING 6202 2RS	2,00			--
0040	LAFN06791		ASSEMBLED SUPPORTO PIANTONE	1,00			--
0041	MEVR02011		SELECTOR -	1,00			--
0042	MECI75805		SWITCH KEY FOR BATTERY MACHINES	1,00			--
0043	LAFN47024		SHAFT X VOLANTE TK1400	1,00			--



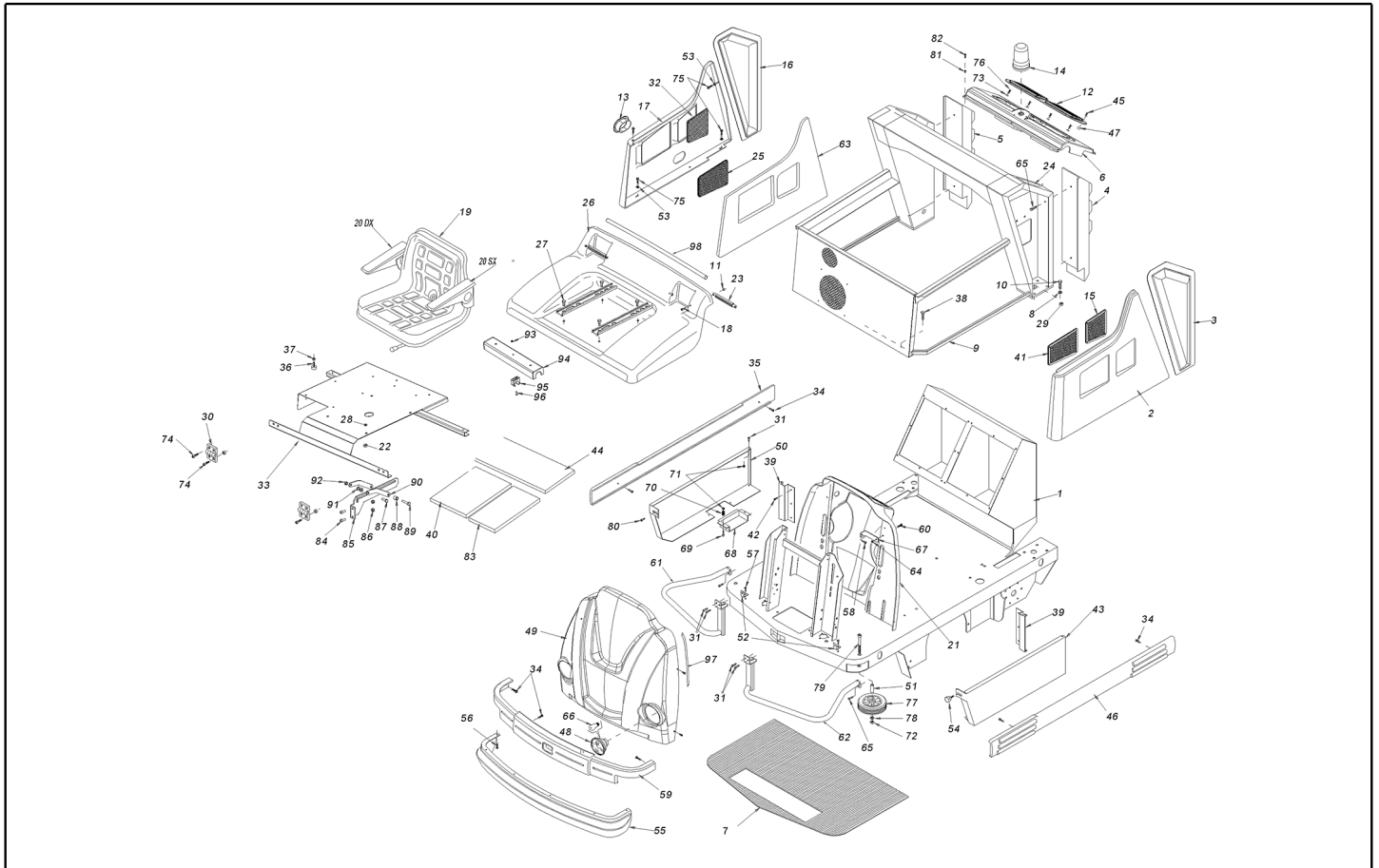
Ref. K	Part n.	Part n. 2	Description	Quantity	Validity		Price
					From	To	
0044	VTVT47025		SCREW TBCE ISO 7380 10X16 ZB	1,00			--
0045	MPVR47026		CAP PER VOLANTE	1,00			--
0046	VTRS44254		WASHER UNI 6593 10X40X2,5 ZB	1,00			--
0047	MPVR47027		STEERING WHEEL D.320 SENZA POMELLO	1,00			--
0048	MPVR47066		PROTECTOR X ALBERO SPAZZOLA TK1000	1,00			--
0049	VTVT00288		SCREW TCTC 4X10	2,00			--
0050	ETET01722		LABEL PLANCIA	1,00			--
0051	MECE00557		BOARD DISPLAY LOGIC 1404 CURTIS	1,00			--
0052	CMCV75723		REGISTER D.7	1,00			--
0053	LAFN75975		PIN CENTRAG.FILO PEDALE FRENO	1,00			--
0054	VTRS00506		WASHER D.12 UNI 6592	2,00			--
0055	LAFN47029		PIN CH.10 H.16 ATTACCO MOLLA	1,00			--
0056	VTDD01682		NUT M12 ZC UNI 5588	1,00			--
0057	LAFN75973		PIN FISSAG.CAVI FERMA FLAP	11,00			--
0058	VTVR00031		CLAMP FRENO TK1400	1,00			--
0059	LAFN47030		BUSHING FISS.PEDALE FRENO FORATA	4,00			--
0060	VTVT75731		GRUB SCREW UNI 5923 6X5	3,00			--
0061	MLML75960		SPRING TRAZIONE TK D.8X1X29 ZB	1,00			--
0062	LAFN47031		PIN PEDALE BLOCCO FRENO 1000	1,00			--
0063	LAFN47032		PEDAL BLOCCO FRENO TK1000 ZINC	1,00			--
0064	LAFN47033		BUSHING FISSAGGIO PERNO PEDALI	1,00			--
0065	VTAE87276		SEEGER EXT. D10 DIN471	2,00			--
0066	LAFN47034		PEDAL FRENO TK1400 ZINCATO	1,00			--
0067	MPVR45096		PEDAL COVER GRANDE V1021	1,00			--
0068	LAFN47035		PIN CH.10 H.26 ATTACCO MOLLA	1,00			--
0069	VTAE14016		SEEGER ESTERNO DIN 471 D.12	1,00			--
0070	LAFN47036		PIN FISS.PEDALE FRENO+ALZAFI.	1,00			--
0071	CMCV87173		SHEATH CAVO FRENO 21251013	1,00			--
0072	LAFN06792		BOARD COMANDI	1,00			--
0073	VTVT01110		SCREW TE 8X16 UNI5739	5,00			--
0074	VTRS01080		WASHER D. 8 GRW	1,00			--
0075	VTRS87283		WASHER UNI 6593 8X24X2,5 ZB	1,00			--
0076	LAFN47039		FLANGE REGOLAZ.CATENA STERZO	1,00			--
0077	MECI76658		COMMUTAT.SWITCH 2 POSIZ.DIREZ.MACCH+CAPP	1,00			--
0078	MPVR47040		KNOB FOR STEERING WHEEL	1,00			--
0079	MPVR04902		COVER SCHEDA MICRO	1,00			--
0080	KTRI05576		KIT POTENTIOMETER SPEED CONTR	1,00			--
0081	CMCV85320		CABLE D.2,5 L.760 21251003	1,00			--
0082	MEVR02000		CONTACT -	1,00			--
0083	KTRI01935		KIT 1050-1202	1,00			--
0084	MECE00426		BOARD SWITCH FOR HOPPER 1404	1,00			--
0085	MEVR02012		CONTACT -	1,00			--
0086	MECI75945		COMMUTAT.SWITCH 3 POSIZ.FUNZ.MACCH.+CAPP	1,00			--



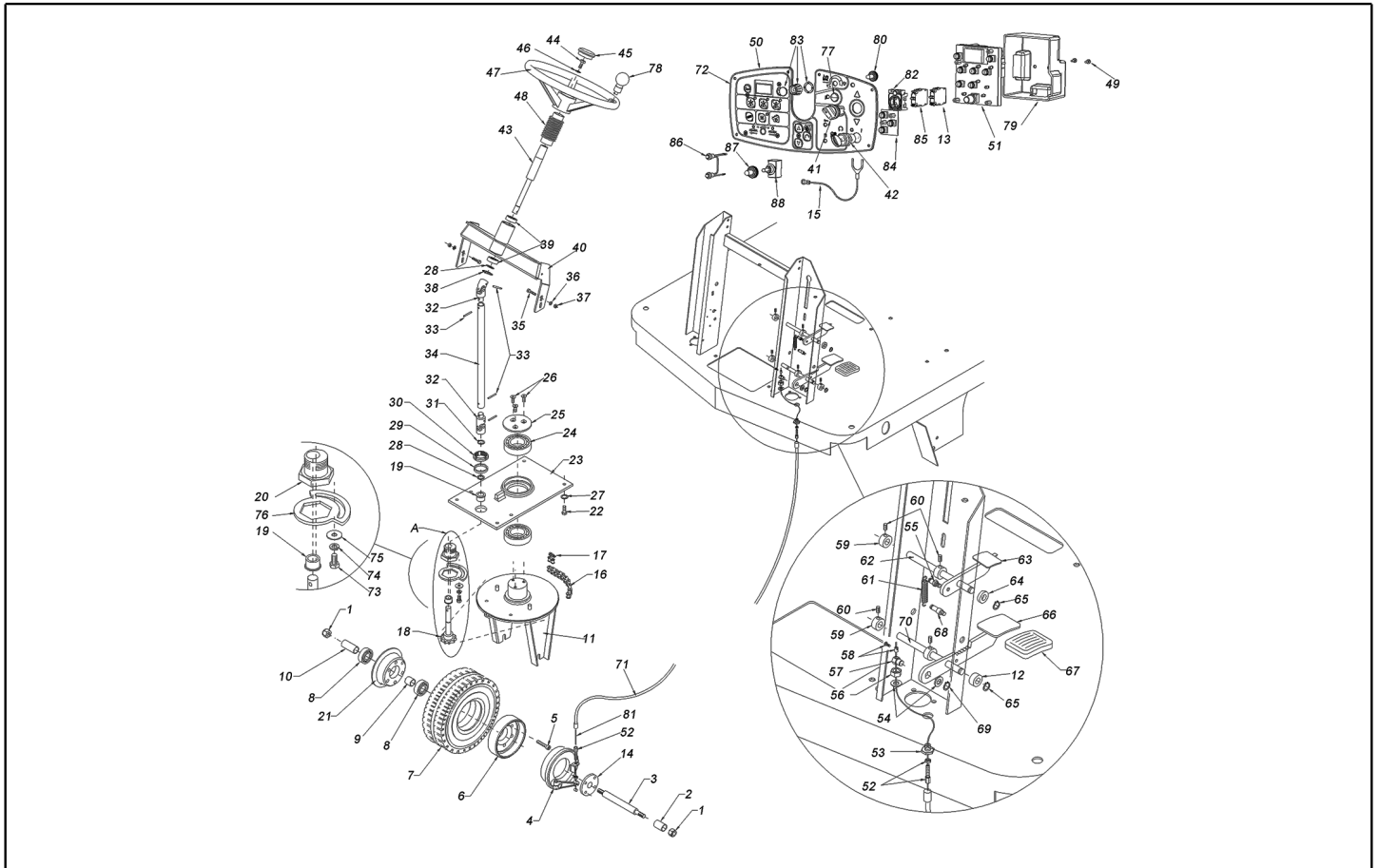
Ref. K	Part n.	Part n. 2	Description	Quantity	Validity		Price
					From	To	
0001	LAFN45969		FRAME TK1400 GRIGIO RAL7024	1,00			--
0002	MPVR04992		BODY SIDE SX	1,00			--
0003	MPVR00234		UPRIGHT SPALLA SX	1,00			--
0004	MPVR00229		BUMPER POSTERIORE SX TK1400	1,00			--
0005	MPVR00227		BUMPER POSTERIORE DX TK1400	1,00			--
0006	MPVR04988		COVER SUCTION MOTORS	1,00			--
0007	MPVR05057		PLANE MILLERIGHE CON BIADESIVO	1,00			--
0008	VTRS00505		WASHER D.10 UNI 6592	8,00			--
0009	LAFN45976		SUPPORT L.14	1,00			--
0010	VTVT01535		SCREW TCCE UNI5931 10X40 AC.8.8	8,00			--
0011	VTDD00491		NUT M 6 TEF	6,00			--
0012	MPVR04916		BRACKET COPERCHIO ASPIRATORI	1,00			--
0013	MPVR04698		FRAME FORO	1,00			--
0014	MEVR00935		FLASHING LIGHT G1050	1,00			--
0015	LAFN06590		BRACKET FIANCATA	1,00		26/11/2019	--
0015	LAFN11519		MESH .	1,00	27/11/2019		--
0016	MPVR00235		UPRIGHT SPALLA DX	1,00			--
0017	MPVR12879		BODY SIDE .	1,00			--
0018	VTVT75726		SCREW TBCE ISO 7380 6X16 ZB	4,00			--
0019	SESD45981		SEAT SC73 01.01.M4 PER TK1400	1,00		28/10/2019	--
0019	SESD45982		SEAT SC 73 L.14 SENSOR REED	1,00	29/10/2019		--
0020	SESD00001		KIT BRACCILO DX	1,00			--
0020	SESD00002		KIT BRACCILO SX	1,00			--
0021	MPVR04891		HOOD POSTERIORE G1404	1,00			--
0022	VTDD00124		NUT M8 DIN985	4,00			--
0023	KTRI01632		HANDLE COFANO PORTASEDILE	2,00			--
0024	ETET00100		LABEL ADESIVA BENZINA VERDE	1,00			--
0025	LAFN06587		BRACKET FIANCATA	1,00		26/11/2019	--
0025	LAFN11518		MESH .	1,00	27/11/2019		--
0026	MPVR04991		HOOD SUPERIORE 1400 VERDE	1,00			--
0027	VTVT00447		SCREW TE 8X25 UNI5739	4,00			--
0028	VTRS00512		WASHER D. 8 X24 ZC.	8,00			--
0029	VTDD00042		NUT AUT.M10 UNI7474	8,00			--
0030	CEVR85332		HINGE MEB F D.6 TK	2,00			--
0031	VTVT62920		SCREW TE FR 6X16 ZB ZIGRINATE	6,00			--
0032	LAFN06588		BRACKET FIANCATA	1,00		26/11/2019	--
0032	LAFN11519		MESH .	1,00	27/11/2019		--
0033	LAFN01018		FRAME PORTASED.TK1400 DIESEL ZN	1,00			--
0034	VTVT01118		SCREW TCEI M 8X16 ZC. UNI 5931	4,00			--
0035	MPVR00225		BUMPER LATERALE DX TK1400	1,00			--
0036	ABGO00008		VIBRATION DAMP. PM 20X20 M6X20	2,00			--
0037	VTDD00482		NUT M 6 ZIN UNI 5588	2,00			--
0038	VTVT62920		SCREW TE FR 6X16 ZB ZIGRINATE	4,00			--
0039	CEVR45986		HINGE L.14	2,00			--



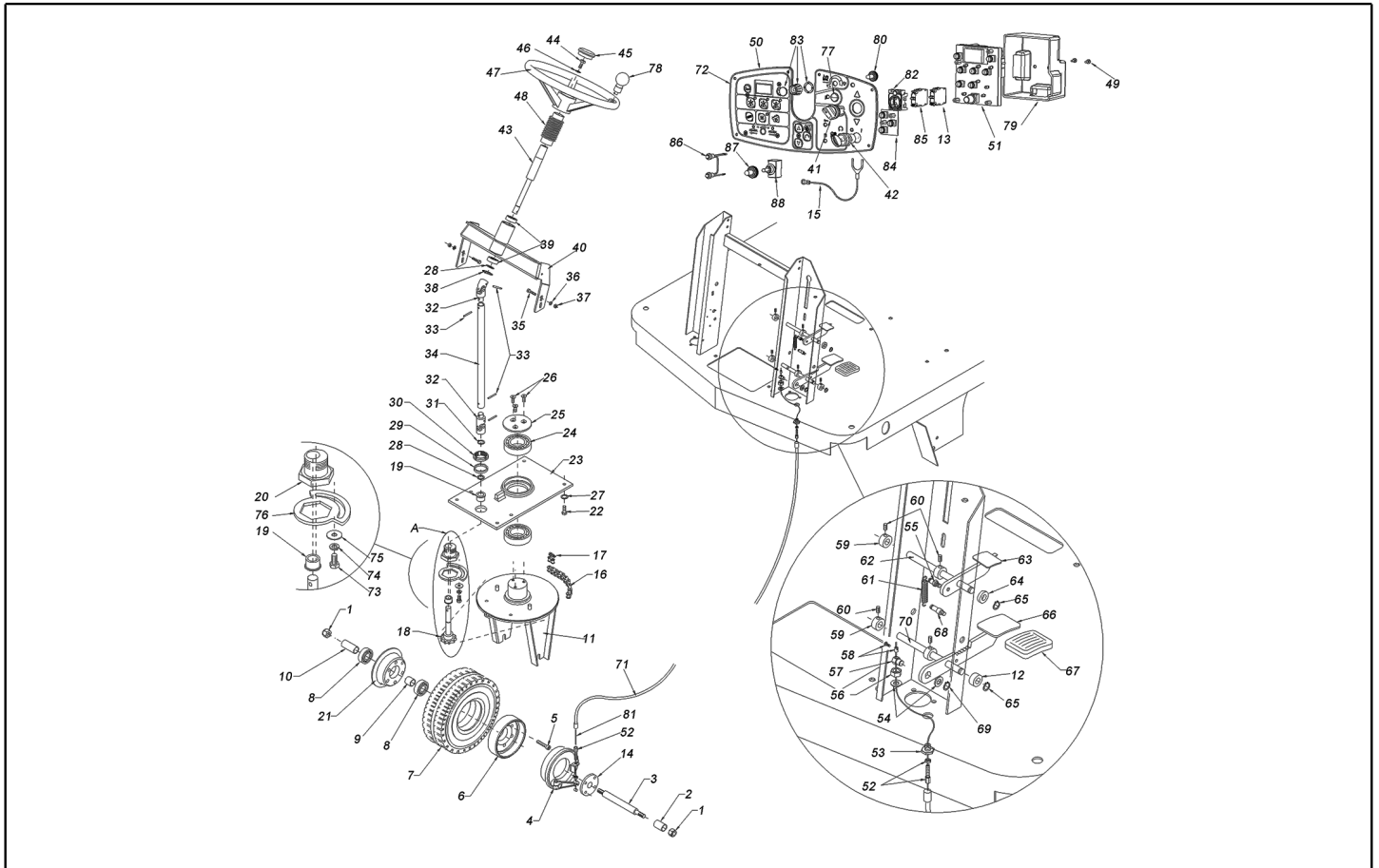
Ref. K	Part n.	Part n. 2	Description	Quantity	Validity		Price
					From	To	
0040	ITSO00006		PANEL FONOAASS.SOTTOSED.DIESEL	1,00			--
0041	LAFN06589		BRACKET FIANCATA	1,00		26/11/2019	--
0041	LAFN11518		MESH	1,00	27/11/2019		--
0042	VTVT75719		SCREW TE FR 6X10 ZB ZIGRINATE	6,00			--
0043	LAFN00724		PLANE LATERALE SX	1,00			--
0044	ITSO00043		PANEL ISOLATORE PORTASEDILE	1,00			--
0045	VTVT72043		SCREW TCCT UNI 7687 4X16 ZB	4,00			--
0046	MPVR00226		BUMPER LATERALE SX 1400	1,00			--
0047	VTVR00015		INSERT FILETTATO M4X10 ZIGRINATO	4,00			--
0048	MELF00052		LANTERN -	2,00	17/06/2011		--
0048	MEVR00135		LANTERN G1400	2,00		16/06/2011	--
0049	MPVR08031		COVERING FRONT 1404 GREEN P368C	1,00			--
0050	LAFN00723		PLANE LATERALE DX	1,00			--
0051	LAFN47011		BUSHING BU15X10X47 X RUOTA1250056	2,00			--
0052	LAFN06793		BRACKET FISSA FRONTALE	2,00			--
0053	VTRS04026		WASHER D. 6X18X2.38	8,00			--
0054	RTRT00022		HANDWHEEL D.30 M6X15	1,00			--
0055	MPVR00240		CRANKCASE SPOILER ANTERIORE	1,00			--
0056	VTVT00100		SCREW AUTOF.TC UNI 6954 3,9X16	6,00			--
0057	VTVT09916		SCREW TBCE ISO 7380 6X20 ZB	2,00			--
0058	VTVT62920		SCREW TE FR 6X16 ZB ZIGRINATE	2,00			--
0059	MPVR87170		BUMPER ANTERIORE TK1400	1,00			--
0060	VTVT75726		SCREW TBCE ISO 7380 6X16 ZB	2,00			--
0061	LAFN01102		BUMPER ANTERIORE DX	1,00			--
0062	LAFN01103		BUMPER ANTERIORE SX	1,00			--
0063	ITTE00005		PANEL FONOAASS.FIAN.LAT.DX DIES.	1,00			--
0064	VTDD00491		NUT M 6 TEF	2,00			--
0065	VTVT63129		SCREW TE FR 8X16 ZB ZIGRINATE	6,00			--
0066	MELF00050		LAMP -	2,00	17/06/2011		--
0066	MELF87169		LAMP 12V 35W	2,00		16/06/2011	--
0067	LAFN06794		BRACKET FISSA FRONTALE G1404	2,00			--
0068	LAFN46645		PROTECTION PORTELLO LAT.DX 1400 VERN	1,00			--
0069	VTVT63029		SCREW TCCE UNI 5931 6X35 ZB	2,00			--
0070	MLML46644		SPRING PROTEZIONE PULEG.28X9X1	1,00			--
0071	VTDD00491		NUT M 6 TEF	3,00			--
0072	VTDD00042		NUT AUT.M10 UNI7474	2,00			--
0073	VTVR47015		INSERT PLASTICA (MEDREVITE)	4,00			--
0074	VTVT12255		SCREW TCCE UNI 5931 6X25 ZB	4,00			--
0075	VTVT06237		SCREW TCCE UNI 5931 6X20 ZB	8,00			--
0076	VTVT00044		SCREW TC AF.X PLAS UNI9707 4X16	4,00			--
0077	RTRT31046		WHEEL D.150 E 350	2,00			--
0078	VTRS00505		WASHER D.10 UNI 6592	2,00			--
0079	VTVT04857		SCREW TCCE UNI 5931 10X70 ZB	2,00			--
0080	VTVT62920		SCREW TE FR 6X16 ZB ZIGRINATE	1,00			--



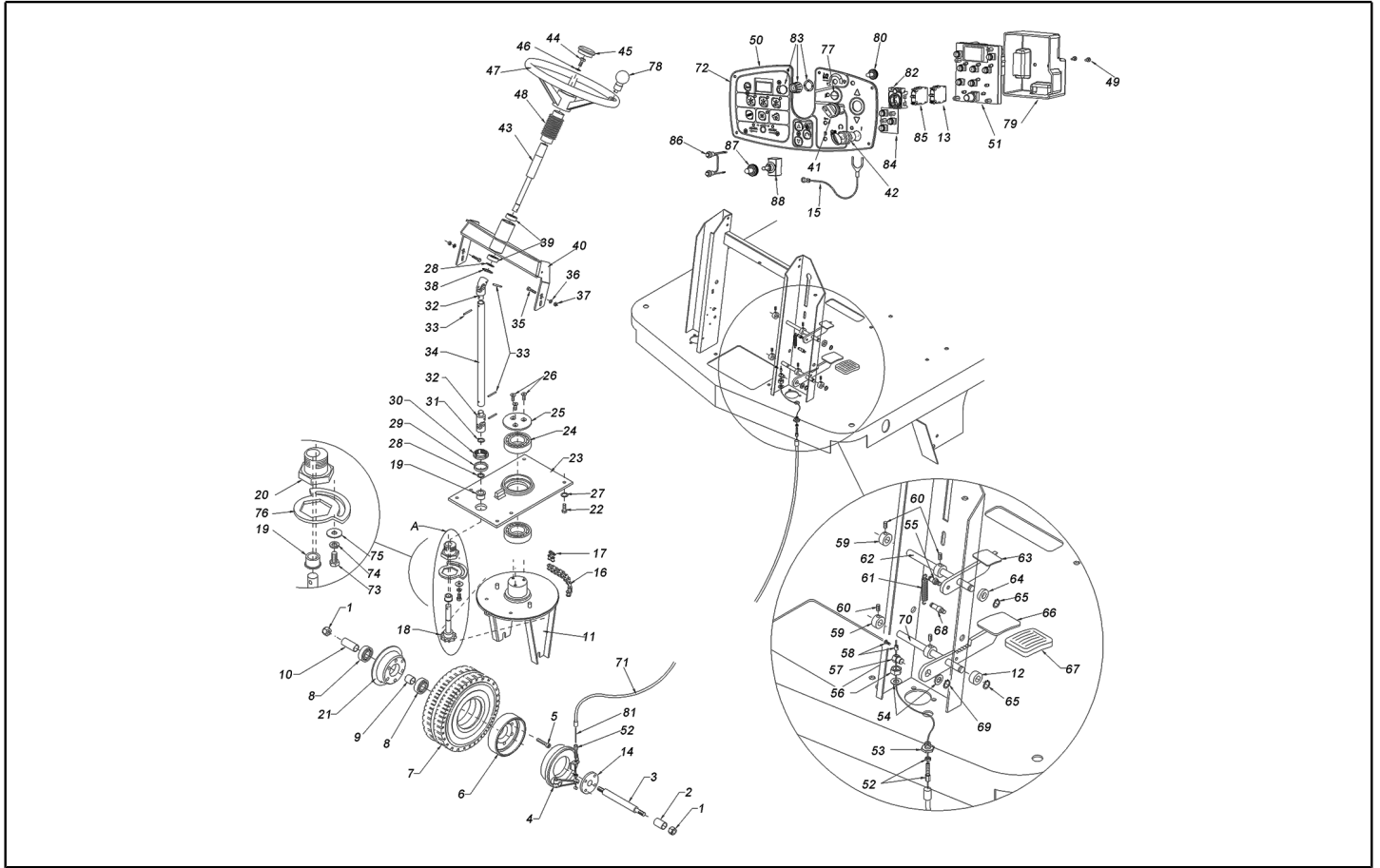
Ref. K	Part n.	Part n. 2	Description	Quantity	Validity		Price
					From	To	
0081	VTVR00309		INSERT FILETTATO M5	4,00			--
0082	VTVT45339		SCREW TBCE ISO 7380 5X16 ZB	4,00			--
0083	ITTE00027		INSULATOR	1,00	20/12/2007		--
0084	VTVT75724		SCREW TBCE ISO 7380 8X22 ZB	2,00	17/02/2020		--
0085	LAFN11497		BRACKET 878R	1,00	17/02/2020		--
0086	VTDD00124		NUT M8 DIN985	2,00	17/02/2020		--
0087	VTVT00447		SCREW TE 8X25 UNI5739	1,00	17/02/2020		--
0088	LAFN04042		SPACER D8.5-15	1,00	17/02/2020		--
0089	VTVT00450		SCREW TE 8X40 UNI5739	1,00	17/02/2020		--
0090	LAFN11504		CONNECTING ROD HOOD G1404	2,00	17/02/2020		--
0091	VTRS00504		WASHER D. 8 ZC. UNI 6592	2,00	17/02/2020		--
0092	VTDD00124		NUT M8 DIN985	1,00	17/02/2020		--
0093	VTDD08171		NUT M 5 TEF	1,00	17/02/2020		--
0094	LAFN07863		BRACKET -	1,00	17/02/2020		--
0095	MPVR05280		CLIP M25	1,00	17/02/2020		--
0096	VTVT45339		SCREW TBCE ISO 7380 5X16 ZB	1,00	17/02/2020		--
0097	GUGO00087		GASKET MOUSSE 10-3	1,20	01/12/2020		--
0098	GUVR00011			0,93	01/12/2020		--



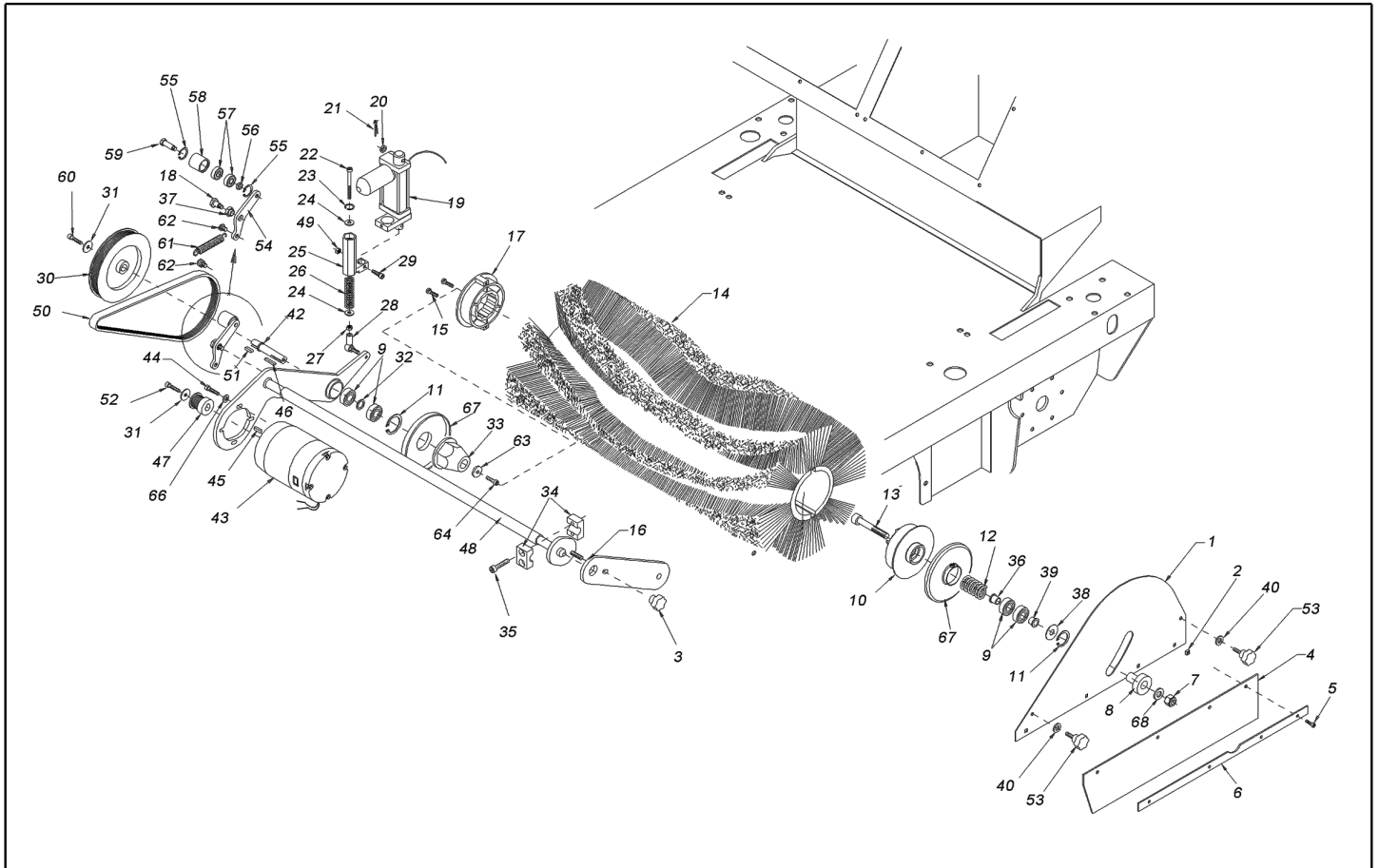
Ref. K	Part n.	Part n. 2	Description	Quantity	Validity		Price
					From	To	
000A	KTRI46514		ECCENTRIC BUSH. TK1000 COMPLETA	1,00			--
0001	VTDD00012		NUT AUTOBLOK DIN 985 M12 ZB	2,00			--
0002	LAFN47017		SPACER D.20X24X55 ZINCATO	1,00			--
0003	LAFN45089		WHEEL PIN ANTERIORE TK1400	1,00			--
0004	RTRT45090		BRAKE PORTACEPPO D.125 TK1400	1,00			--
0005	VTVT00066		SCREW TCCE UNI 5931 8X25 ZB	6,00			--
0006	LAFN45091		HUB RUOTA ANTER.FRENO TK1400	1,00			--
0007	RTRT45132		WHEEL SUPERELAST.BA-MA 4.00X4'	1,00			--
0008	CUVR08998		BALL BEARING 6204 2RS1	2,00			--
0009	LAFN45336		SPACER D.20X24X22 ZINCATO	1,00			--
0010	LAFN47018		SPACER D.20X24X35 ZINCATO	1,00			--
0011	LAFN45092		SUPPORT RUOTA ANTER.ZINC.MODIF.	1,00			--
0012	LAFN47019		BUSHING FISSAGGIO PEDALE FRENO	1,00			--
0013	MEVR02599		CONTACT .	1,00			--
0014	LAFN45872		FLANGE PORTACEPPO TK1400 ZINCATA	1,00			--
0015	MECB02164		CABLE .	1,00			--
0016	MTCR45093		CHAIN STERZO 3/8" 92 RULLI	1,00			--
0017	MTCR47037		JOINT 3/8 PER CATENA TK 1000	1,00			--
0018	LAFN75974		PIN RINVIO RUOTA ANTER.TK1000	1,00			--
0019	LAFN75841		BUSHING CENTR.PIGNONE RUOTA ANT.	2,00			--
0020	LAFN75842		BUSHING ECCNTRICA TENDICATENA	1,00			--
0021	LAFN45083		HUB RUOTA ANTER/POST.TK1400	1,00			--
0022	VTVT00447		SCREW TE 8X25 UNI5739	6,00			--
0023	LAFN45094		FLANGE FISSAG. RUOTA ANT.1400 ZIN	1,00			--
0024	CUVR75816		BEARING 51112	2,00			--
0025	LAFN47004		WASHER BLOCCA RAL	1,00			--
0026	VTVT00014		SCREW TE UNI 5739 8X20 CL.10.9	3,00			--
0027	VTRS01080		WASHER D. 8 GRW	6,00			--
0028	LAFN47020		THICKNESS 15X22X1	2,00			--
0029	LAFN75913		SPACER BOCCOLA ECCENTRICA TK1000	1,00			--
0030	VTVR75747		RING NUT AUTOBLOK M35X1,5 GUK	1,00			--
0031	VTAE17003		CIRCLIP ESTERNO DIN 471 D.15	1,00			--
0032	VTVR47021		ARTICULATION CARDANICO D.5 D.15	2,00			--
0033	VTVR00327		PLUG -	4,00			--
0034	LAFN47022		SHAFT STERZO TK1000 TIPO NUOVO	1,00			--
0035	VTVT62920		SCREW ZB FR 6X16 ZB ZIGRINATE	4,00			--
0036	VTRS04026		WASHER D. 6X18X2.38	4,00			--
0037	VTDD00491		NUT M 6 TEF	4,00			--
0038	VTAE17003		CIRCLIP ESTERNO DIN 471 D.15	1,00			--
0039	CUVR00005		BEARING 6202 2RS	2,00			--
0040	LAFN06791		ASSEMBLED SUPPORTO PIANTONE	1,00			--
0041	MEVR02597		SELECTOR .	1,00			--
0042	MECI75805		SWITCH KEY FOR BATTERY MACHINES	1,00			--
0043	LAFN47024		SHAFT X VOLANTE TK1400	1,00			--



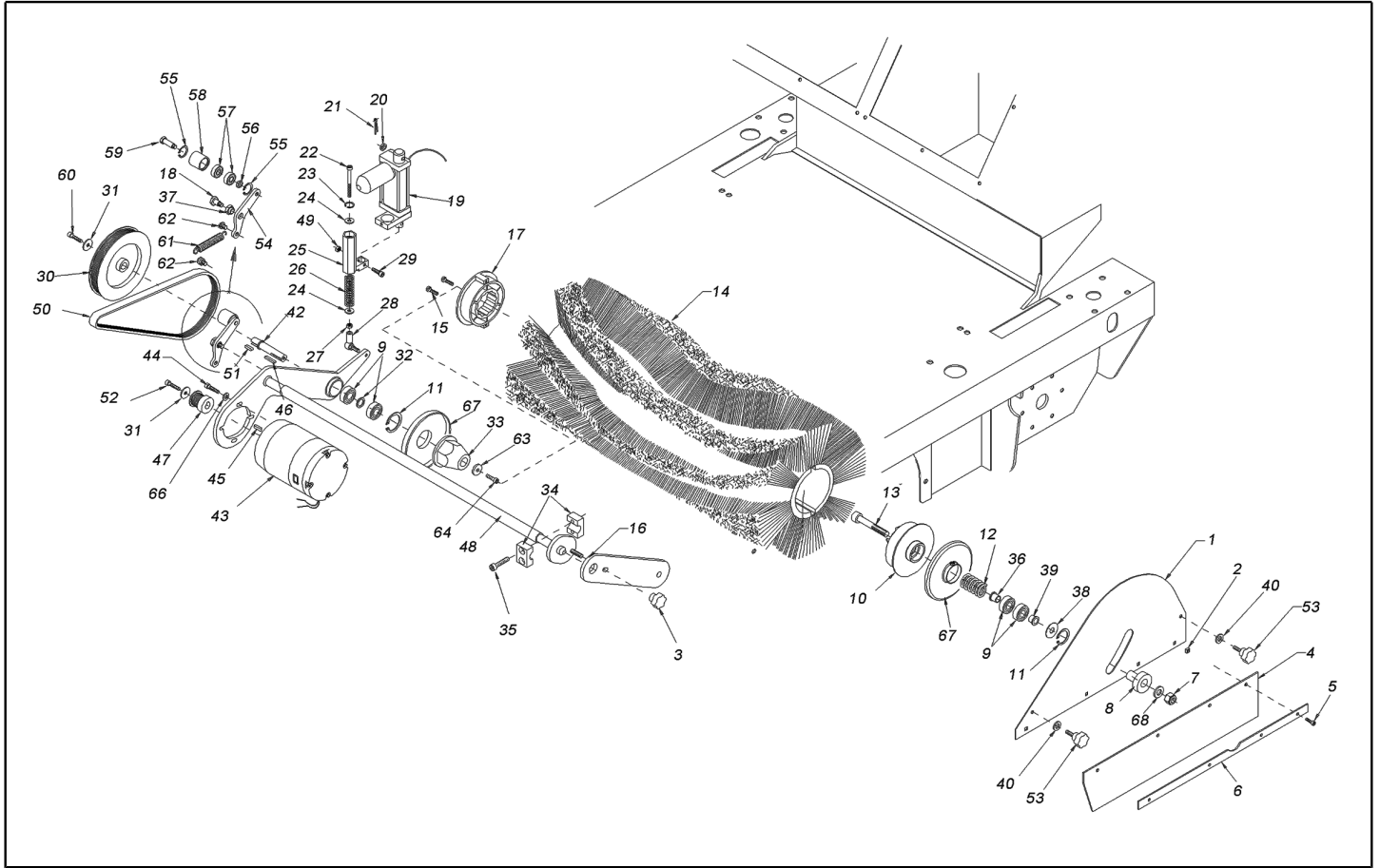
Ref. K	Part n.	Part n. 2	Description	Quantity	Validity		Price
					From	To	
0044	VTVT47025		SCREW TBCE ISO 7380 10X16 ZB	1,00			--
0045	MPVR47026		CAP PER VOLANTE	1,00			--
0046	VTRS44254		WASHER UNI 6593 10X40X2,5 ZB	1,00			--
0047	MPVR47027		STEERING WHEEL D.320 SENZA POMELLO	1,00			--
0048	MPVR47066		PROTECTOR X ALBERO SPAZZOLA TK1000	1,00			--
0049	VTVT00288		SCREW TCTC 4X10	2,00			--
0050	ETET16584		LABEL PLANCIA	1,00			--
0051	MECE00557		BOARD DISPLAY LOGIC 1404 CURTIS	1,00			--
0052	CMCV75723		REGISTER D.7	1,00			--
0053	LAFN75975		PIN CENTRAG.FILO PEDALE FRENO	1,00			--
0054	VTRS00506		WASHER D.12 UNI 6592	2,00			--
0055	LAFN47029		PIN CH.10 H.16 ATTACCO MOLLA	1,00			--
0056	VTDD01682		NUT M12 ZC UNI 5588	1,00			--
0057	LAFN75973		PIN FISSAG.CAVI FERMA FLAP	11,00			--
0058	VTVR00031		CLAMP FRENO TK1400	1,00			--
0059	LAFN47030		BUSHING FISS.PEDALE FRENO FORATA	4,00			--
0060	VTVT75731		GRUB SCREW UNI 5923 6X5	3,00			--
0061	MLML75960		SPRING TRAZIONE TK D.8X1X29 ZB	1,00			--
0062	LAFN47031		PIN PEDALE BLOCCO FRENO 1000	1,00			--
0063	LAFN47032		PEDAL BLOCCO FRENO TK1000 ZINC	1,00			--
0064	LAFN47033		BUSHING FISSAGGIO PERNO PEDALI	1,00			--
0065	VTAE87276		SEEGER EXT. D10 DIN471	2,00			--
0066	LAFN47034		PEDAL FRENO TK1400 ZINCATO	1,00			--
0067	MPVR45096		PEDAL COVER GRANDE V1021	1,00			--
0068	LAFN47035		PIN CH.10 H.26 ATTACCO MOLLA	1,00			--
0069	VTAE14016		SEEGER ESTERNO DIN 471 D.12	1,00			--
0070	LAFN47036		PIN FISS.PEDALE FRENO+ALZAFI.	1,00			--
0071	CMCV87173		SHEATH CAVO FRENO 21251013	1,00			--
0072	LAFN06792		BOARD COMANDI	1,00			--
0073	VTVT01110		SCREW TE 8X16 UNI5739	5,00			--
0074	VTRS01080		WASHER D. 8 GRW	1,00			--
0075	VTRS87283		WASHER UNI 6593 8X24X2,5 ZB	1,00			--
0076	LAFN47039		FLANGE REGOLAZ.CATENA STERZO	1,00			--
0077	MPVR00043		CAP CHIUS.FORO PORTAFUS.L 15	2,00			--
0078	MPVR47040		KNOB FOR STEERING WHEEL	1,00			--
0079	MPVR04902		COVER SCHEDE MICRO	1,00			--
0080	KTRI05576		KIT POTENTIOMETER SPEED CONTR	1,00			--
0081	CMCV85320		CABLE D.2,5 L.760 21251003	1,00			--
0082	MEVR02598		DOOR CONTACT	1,00			--
0083	KTRI01935		KIT 1050-1202	1,00			--
0084	MECE00426		BOARD SWITCH FOR HOPPER 1404	1,00			--
0085	MEVR02599		CONTACT .	1,00			--
0086	MEVR00141		OIL WARN-LIGHT LED OLIO,BENZINA TK1400	1,00			--
0087	MEVR01975		RUBBER DEVIATORE	1,00			--



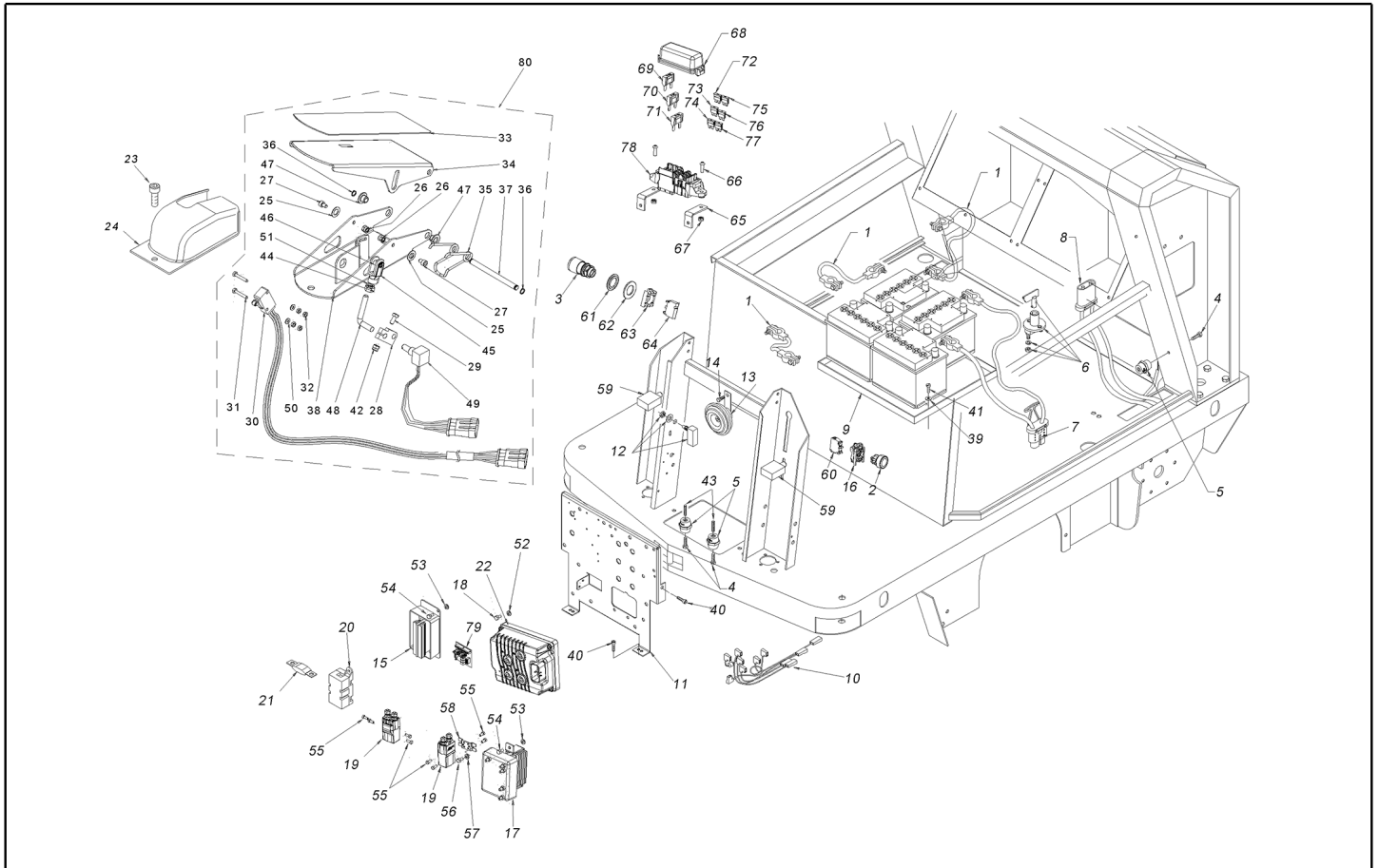
Ref. K	Part n.	Part n. 2	Description	Quantity	Validity		Price
					From	To	
0088	MECI75945		COMMUTAT.SWITCH 3 POSIZ.FUNZ.MACCH.+CAPP	1,00			--



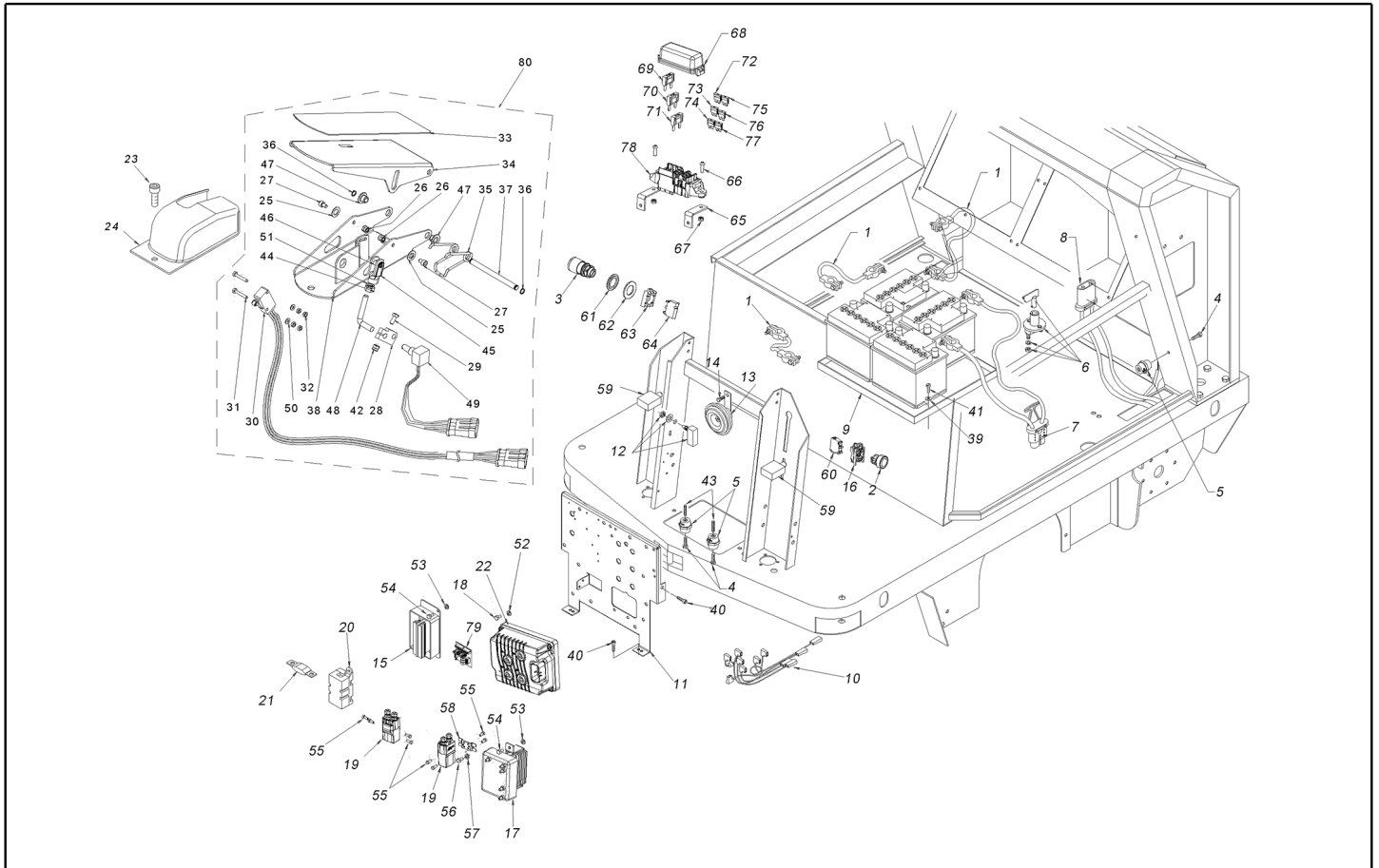
Ref. K	Part n.	Part n. 2	Description	Quantity	Validity		Price
					From	To	
0001	LAFN06600		PLANE SPAZZOLA CENTRALE	1,00			--
0002	VTVR47015		INSERT PLASTICA (MEDREVITE)	4,00			--
0003	VTVR00047		HANDWHEEL D.50 M8	1,00			--
0004	MPVR04669		FLAP Flap RH/LH SIDE 1404	1,00			--
0005	VTVT00044		SCREW TC AF.X PLAS UNI9707 4X16	4,00			--
0006	LAFN06601		PLATE FISSA FLAP	1,00			--
0007	VTDD00012		NUT AUTOBLOK DIN 985 M12 ZB	1,00			--
0008	LAFN06836		PIN CENTRAGGIO PROTEZIONE	1,00			--
0009	CUVR17004		BALL BEARING 6202 -2RS1	4,00			--
0010	MPVR04923		SUPPORT SPAZZOLA CENTRALE	1,00			--
0011	VTAE00076		CIRCLIP D.37 DIN 472	2,00			--
0012	MLML00295		SPRING SPAZZOLA CENTRALE	1,00			--
0013	VTVT01128		SCREW TCCE UNI 5931 12X120 ZB	1,00			--
0014	SPPV43840		BRUSH CEN.D.330X800 6R0.5/1.2	1,00			--
0015	VTVT01705		SCREW 4X45 UNI 9709	2,00			--
0016	LAFN47050		ARM ASPORTAB.SPAZZ.CENTR.ZIN.	1,00			--
0017	LAFN45099		DRIVE DISK CENTRAL BRUSH	1,00			--
0018	LAFN47051		PIN FISSAG.TENDICING.1400	1,00			--
0019	MOCC00497		ACTUATOR 1404 CENTRAL BRUSH	1,00			--
0020	VTRS00503		WASHER D. 6 UNI 6592	1,00			--
0021	VTVR47052		SPLIT PIN AR DIAM.FILO 2	1,00			--
0022	VTVT37013		SCREW TE M 6X100 UNI 5737	1,00			--
0023	VTAE00009		SEEGER INTERNO DIN 472 D.20	1,00			--
0024	LAFN00124		BUSHING BATTUTA CILINDRO	2,00			--
0025	MPVR45279		CASE PORTAMOLLA SPAZ.CENT.1400	1,00			--
0026	MLML45281		SPRING FOR SHOCK ABSORBER	1,00			--
0027	VTDD00482		NUT M 6 ZIN UNI 5588	1,00			--
0028	VTVR45280		TOGGLE-JOINT M 6	1,00			--
0029	VTVT00008		SCREW TE UNI 5739 6X30 ZB	1,00			--
0030	MTPL47054		PULLEY SPAZZOLA CENTRALE TK1400	1,00			--
0031	VTRS63242		WASHER UNI 6593 6X24X2 ZB	2,00			--
0032	LAFN06823		SPACER CUSCINETTI ALB.SPAZ.CENT.	1,00			--
0033	MPVR04915		HUB CENTRAL BRUSH 1404	1,00			--
0034	LAFN47055		HOSE COLLAR C3 D.18 SOLO PVC	4,00			--
0035	VTVT06236		SCREW TCCE UNI 5931 6X40 ZB	4,00			--
0036	LAFN06782		BUSHING PER CUSCINETTO	1,00			--
0037	LAFN47033		BUSHING FISSAGGIO PERNO PEDALI	1,00			--
0038	VTRS00553		WASHER PARAPOLVERE	1,00			--
0039	LAFN06783		BUSHING PER CUSCINETTO 1	1,00			--
0040	VTRS00504		WASHER D. 8 ZC. UNI 6592	2,00			--
0042	LAFN06687		PIN S.C. 1404	1,00			--
0043	MOCC00275		MOTOR SPAZZOLA CENTRALE	1,00			--
0044	VTVT06237		SCREW TCCE UNI 5931 6X20 ZB	4,00			--
0045	VTVR13165		KEY UNI 6604 5X5X20	1,00			--



Ref. K	Part n.	Part n. 2	Description	Quantity	Validity		Price
					From	To	
0046	VTVR00006		KEY UNI 6604 4X4X35	1,00			--
0047	MTPL45101		PULLEY MOT.SPAZ.CENTR.1400/1300/	1,00			--
0048	LAFN06828		ARM MAIN BRUSH 1404	1,00			--
0049	VTDD00491		NUT M 6 TEF	1,00			--
0050	MTCG44767		BELT POLY 864-340 JB	1,00			--
0051	VTVR13165		KEY UNI 6604 5X5X20	1,00			--
0052	VTVT24209		SCREW TCCE UNI 5931 6X12 ZB	1,00			--
0053	RTRT00022		HANDWHEEL D.30 M6X15	2,00			--
0054	LAFN47059		BRACKET TENDICIN.SPAZ.CENTR.1400	1,00			--
0055	VTAE13513		CIRCLIP D. 26 UNI 7437	2,00			--
0056	LAFN47060		SPACER RULLINO TENDICINGHIA	1,00			--
0057	CUVR86373		BEARING 6000 2RS	2,00			--
0058	MTPL47061		ROLLER TENDICINGHIA TK1000S	1,00			--
0059	LAFN47062		PIN RULLO TENDICINGHIA TK1400	1,00			--
0060	VTVT24209		SCREW TCCE UNI 5931 6X12 ZB	1,00			--
0061	MLML75961		SPRING TRAZ.NUOVA D.16 L.70 ZB	1,00			--
0062	VTVT45395		SCREW TBCE ISO 7380 8X10 ZB	2,00			--
0063	VTRS04026		WASHER D. 6X18X2.38	1,00			--
0064	VTVT24209		SCREW TCCE UNI 5931 6X12 ZB	1,00			--
0066	VTRS04026		WASHER D. 6X18X2.38	4,00			--
0067	LAFN06837		PROTECTION SPAZZOLA CENTRALE	2,00			--
0068	VTRS00506		WASHER D.12 UNI 6592	1,00			--



Ref. K	Part n.	Part n. 2	Description	Quantity	Validity		Price
					From	To	
0001	MEVR34820		WIRING BATTERY BRIDGE W/TERMINAL	3,00			--
0002	MECI00666		BUTTON -	1,00			--
0003	MECI00582		SWITCH EMERGENCY LOVATO LPCB6634	1,00			--
0004	VTVT75719		SCREW TE FR 6X10 ZB ZIGRINATE	2,00			--
0005	MEVR47082		INSULATOR MM35 M6 CH 32	3,00			--
0006	AZMC75803		KEY SW 1000	1,00			--
0007	MECB02158		WIRING 1404	1,00		25/02/2020	--
0007	MECB02188		WIRING 1404	1,00	26/02/2020		--
0008	MEVR02596		CONNECTOR .	1,00			--
0009	LAFN46836		CONTAINER BATTERIA TK1400	1,00		20/01/2021	--
0009	MPVR12988		PLATE 1404 - 1460	1,00	21/01/2021		--
0010	MECB02158		WIRING 1404	1,00			--
0011	LAFN09188		BRACKET -	1,00			--
0012	MECI75801		MICROSWITCH A PISTONE (MS/10-Z15GC)	2,00			--
0013	MEVR33430		KLAXON K100/Y 1A 24V	1,00			--
0014	VTVT85116		SCREW AUTOF.TE FR 6,3X19 ZB	1,00			--
0015	MECE00420		BOARD HOPPER LIFTING 1404	1,00			--
0016	MEVR02598		DOOR CONTACT	1,00			--
0017	MECE00552		BOARD 1404	1,00		25/02/2020	--
0017	MECE00861		BOARD 1404	1,00	26/02/2020		--
0018	VTVT63026		SCREW TCCE UNI 5931 5X30 ZB	2,00			--
0019	METT00085		CONTACTOR 100A	2,00			--
0020	MEVR00146		FUSE-HOLDER MEGA	1,00			--
0021	MEVR01925		FUSE 150A	1,00			--
0022	MECE00846		BOARD CURTIS 1404	1,00			--
0023	VTVT62920		SCREW TE FR 6X16 ZB ZIGRINATE	1,00			--
0024	MPVR00302		CRANKCASE PEDALE AVANZAMENTO	1,00			--
0025	MPVR05528		WASHER -	2,00			--
0026	VTDD04369		NUT M 4 TEF UNI 7473	2,00			--
0027	VTVT00089		SCREW TCCE UNI 5931 4X10 ZB	2,00			--
0028	LAFN01149		CONNECTING ROD PEDALE AVANZAMENTO G1050	1,00			--
0029	VTVT00727		SCREW TE M. 4-20	1,00			--
0030	MECB01228		WIRING -	1,00			--
0031	VTVT01350		SCREW M3-20 INOX	2,00			--
0032	VTDD21115		NUT M 3 INOX	2,00			--
0033	MPVR00866		PLANE ANTIDRUCCIOLO G1050	1,00			--
0034	LAFN06474		SHEET METAL PA. PEDALE	1,00			--
0035	MLML00034		SPRING PEDALE AVANZAMENTO G1050	1,00			--
0036	VTAE48552		CIRCLIP ESTERNO DIN 471 D.6	2,00			--
0037	LAFN00524		PIN PEDALE TK 1050	1,00			--
0038	LAFN07532		BASE -	1,00			--
0039	VTRS00503		WASHER D. 6 UNI 6592	4,00		20/01/2021	--
0040	VTVT62920		SCREW TE FR 6X16 ZB ZIGRINATE	4,00			--
0041	VTVT75726		SCREW TBCE ISO 7380 6X16 ZB	4,00		20/01/2021	--



Ref. K	Part n.	Part n. 2	Description	Quantity	Validity		Price
					From	To	
0041	VTVT00061		SCREW TSCE UNI 5933 6X20 ZB	2,00	21/01/2021		--
0042	VTDD04369		NUT M 4 TEF UNI 7473	1,00			--
0043	VTVT47088		GRUB SCREW UNI 5923 6X30 GREZZO	2,00			--
0044	VTDD00482		NUT M 6 ZIN UNI 5588	1,00			--
0045	CMCV75717		CLIP UNI 1676 M6x12	1,00			--
0046	CMCV76639		FORK M 6 UNI 1676	1,00			--
0047	CUVR00183		BUSHING -	2,00			--
0048	LAFN00909		BRACKET BIELLETTA PEDALE	1,00			--
0049	MECB01227		WIRING ACCELERATOR	1,00			--
0050	VTRS01579		WASHER D. 3 UNI 6592	4,00			--
0051	VTRS01079		WASHER D. 6 GROWER	1,00			--
0052	VTRS00240			2,00			--
0053	VTRS00365		THICKNESS 18X25X1	4,00			--
0054	VTVT01127		SCREW TE M6x20	4,00			--
0055	VTVT62916		SCREW TE M5X12 ZN UNI 5739-8.8	8,00			--
0056	VTVT21295		SCREW TE UNI 5739 5X20 ZB	2,00			--
0057	VTRS08013		WASHER D. 5 GRW	1,00			--
0058	LAFN07345		BRACKET TL10	1,00			--
0059	METT00044		FUSE CIRCUIT BREAKER 10A	2,00	22/10/2012	12/06/2023	--
0059	METT00131		FUSE 14A	2,00	13/06/2023		--
0060	MECI00663		CONTACT 1NA	1,00			--
0061	MPVR11692		ADAPTER BOTTON	1,00			--
0062	MPVR11693		WASHER Ø22,5X39,6X2,4 PA	1,00			--
0063	MECI00583		SMALL BASKET -	1,00			--
0064	MECI00584		CONTACT NC	1,00			--
0065	LAFN11479		BRACKET .	2,00			--
0066	VTVT00643		SCREW TBEI M 6X 20 ISO 7380 IX	2,00			--
0067	VTDD01700		NUT M6 INOX+ZIN.	2,00			--
0068	MEVR02591		COVERING .	1,00			--
0069	MEVR04014		FUSE 50A MAXIVAL	1,00			--
0070	MEVR00644		FUSE MAXIVAL 30A	1,00			--
0071	MEVR04014		FUSE 50A MAXIVAL	1,00			--
0072	MEVR01132		FUSE A LAMA 5 A.	1,00			--
0073	MEVR01316		FUSE A LAMA 10 A. 32V	1,00			--
0074	MEVR01316		FUSE A LAMA 10 A. 32V	1,00			--
0075	MEVR01316		FUSE A LAMA 10 A. 32V	1,00			--
0076	MEVR01132		FUSE A LAMA 5 A.	1,00			--
0077	MEVR01132		FUSE A LAMA 5 A.	1,00			--
0078	MEVR02590		MODULE .	1,00			--
0079	MECE45124		PCB RELÉ TK1400	1,00			--
0080	PMVR02056		KIT THROTTLE	1,00			--