

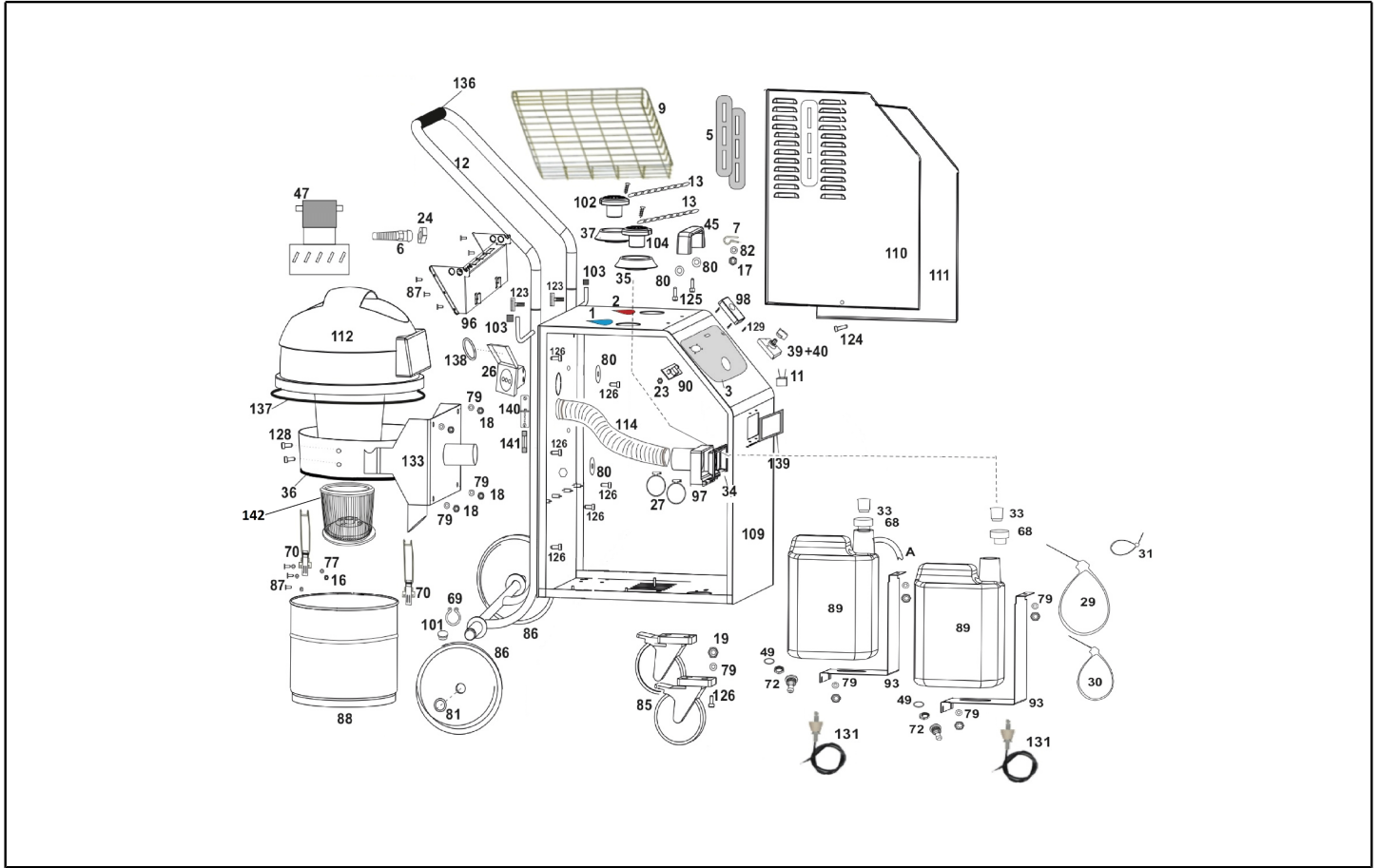


IPC

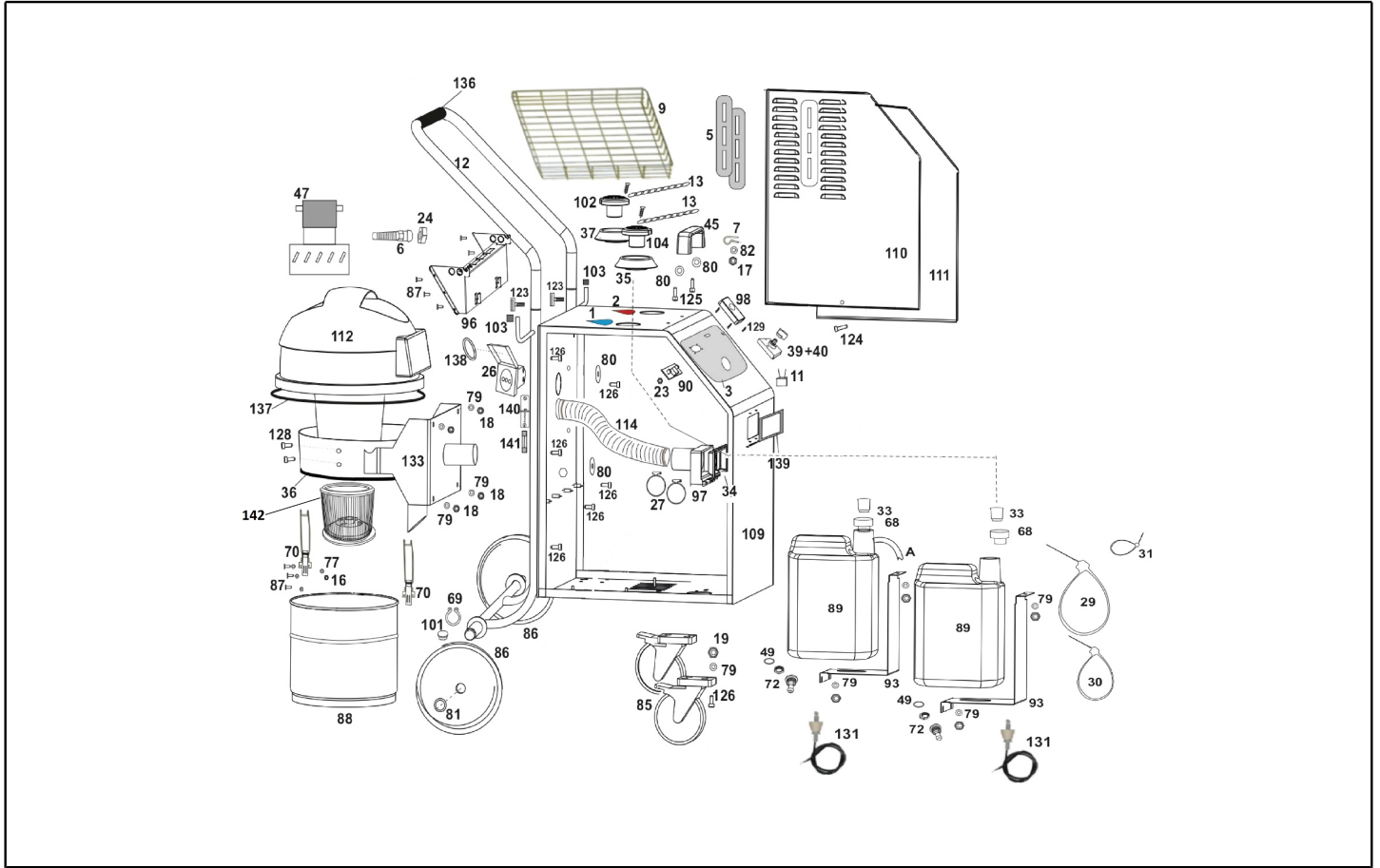
Spare parts list

Ref: GNVA40043

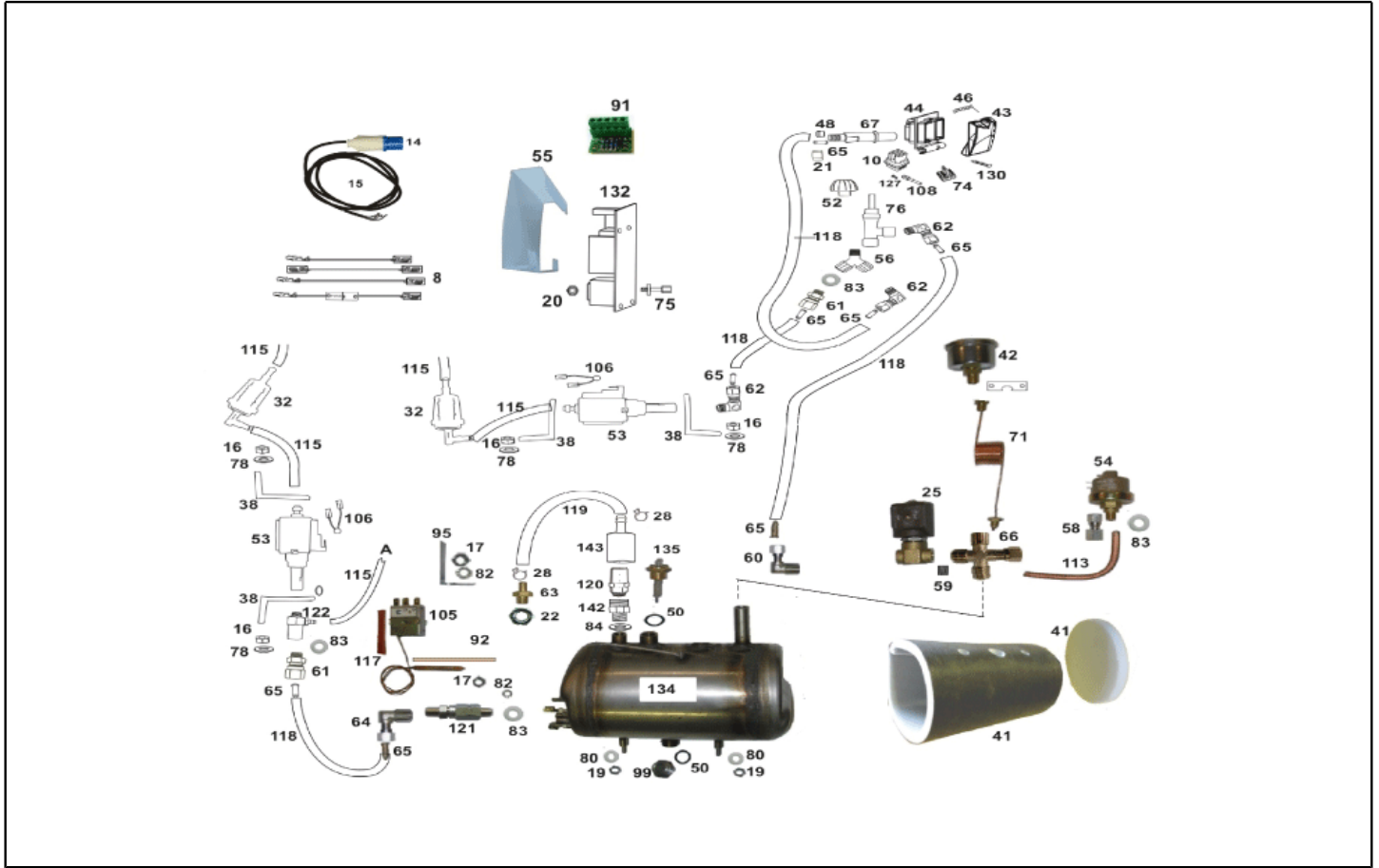
Model: STEAM GENERATOR SG-48 S 8010 M 230V IPC



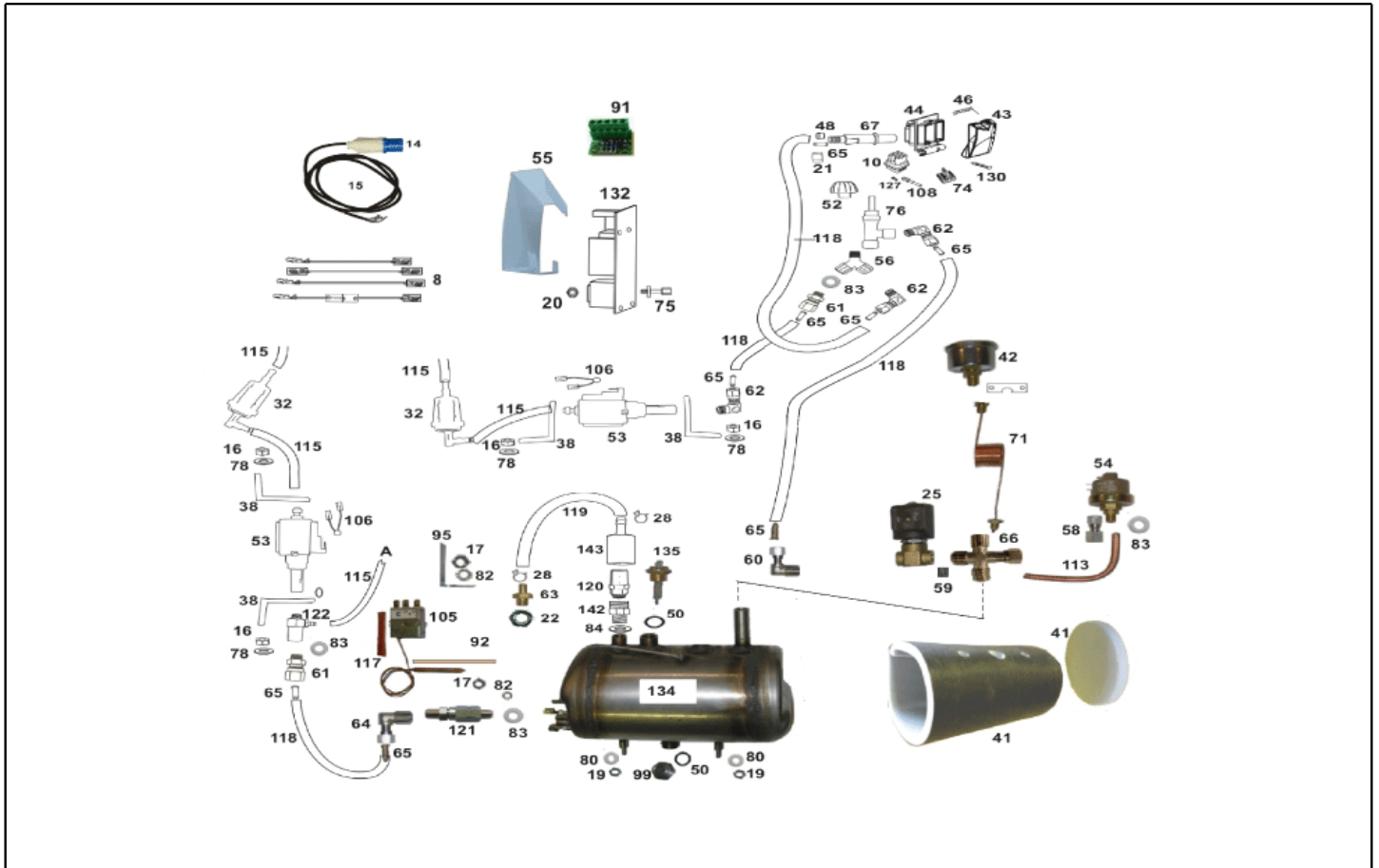
Ref. K	Part n.	Part n. 2	Description	Quantity	Validity		Price
					From	To	
0001	ETET41190		LABEL SV.08	1,00			--
0002	ETET41323		LABEL SV.08	1,00			--
0003	ETET41324		LABEL STM-SG.08 PLC	1,00			--
0005	ETET41325		LABEL LIV. SG-48	2,00			--
0006	MEVR61879		FAIR-LEAD PG 13.5 SP.	1,00			--
0007	MEVR40225		CABLE CLAMP D6 KSS	1,00			--
0009	LAFN49974		SMALL BASKET SG.48	1,00			--
0011	MECE40078		FILTER RC 3RT2916-1CF0	1,00			--
0012	LAFN49975		GREY CHASSIS SG-48	1,00			--
0013	VTVR40061		SMALL CHAIN NR.8 NIK.	2,00			--
0017	VTDD00147		NUT M 4 INX U.5588	4,00			--
0018	VTDD00130		NUT M. 6	10,00			--
0019	VTDD15520		NUT M 6 A2 UNI 5588 INX	10,00			--
0023	VTDD21115		NUT M 3 INOX	4,00			--
0026	MEVR40000		SOCKET CS-023-K 2P+T 230-16 IP54	1,00			--
0033	FTAC40019		WATER FILTER D.30 TNK. PE BK.	2,00			--
0034	GUVR40123		GASKET SG.48 STEAM	1,00			--
0035	GUGO40084		GASKET D. 30 V.TR6 BK.	1,00			--
0036	GUVR40124		GASKET SG.48	2,00			--
0037	GUGO40096		GASKET D. 30 V.TR6 RED	1,00			--
0039	MECI40053		SWITCH BIP. 2P 16A 230V	1,00			--
0040	MEVR40232		FRAME 48X48 GR/NE	1,00			--
0045	MPVR40893		HANDLE SG.08/10 M6	1,00			--
0047	MOMO00624		MOTOR BD382 1200W 220-240 50/60	1,00			--
0049	GUGO03496		O-RING D. 9.25 X 1.78 NBR 70SH	2,00			--
0068	MPVR41000		CONNECTOR SG-48 STEAM	2,00			--
0069	VTAE13512		CIRCLIP D. 17 UNI 7435	2,00			--
0070	CHVR40003		CLOSURE L= 75 LOLY 50	2,00			--
0072	RCVR40205		SPINNER SAMPLE D.8 MM	2,00			--
0081	VTRS00509		WASHER D.20 PIANA Z. UNI6592	2,00			--
0085	RTRT40055		TURNING WHEEL D. 50 M8	2,00			--
0086	RTRT40056		WHEEL D.200-D.20 LIV	2,00			--
0088	LAFN41390		TANK SG-48 INX H.220 COL.	1,00			--
0089	MPVR88900		TANK 5 LT WH.	2,00			--
0090	MECE40079		DISPLAY TR6/AC-VP	1,00			--
0093	LAFN49976		SUPPORT 5L V.AL INOX	2,00			--
0096	LAFN41052		SUPPORT SG-48	1,00			--
0097	MPVR41001		SOCKET SUPPORT SG.48	1,00			--
0098	MPVR40890		TERMINAL BOARD VAP.STI	1,00			--
0101	MPVR40983		CAP D.45 SP.08 -3.2 BK.	2,00			--
0102	MPVR40897		TANK CAP STM-SG.10	1,00			--
0103	MPVR32471		PROD D. 8 BK	2,00			--
0104	MPVR40982		TANK CAP STM-SG.10	1,00			--
0109	LAFN41231		FRAME FOR MODULAR	1,00			--



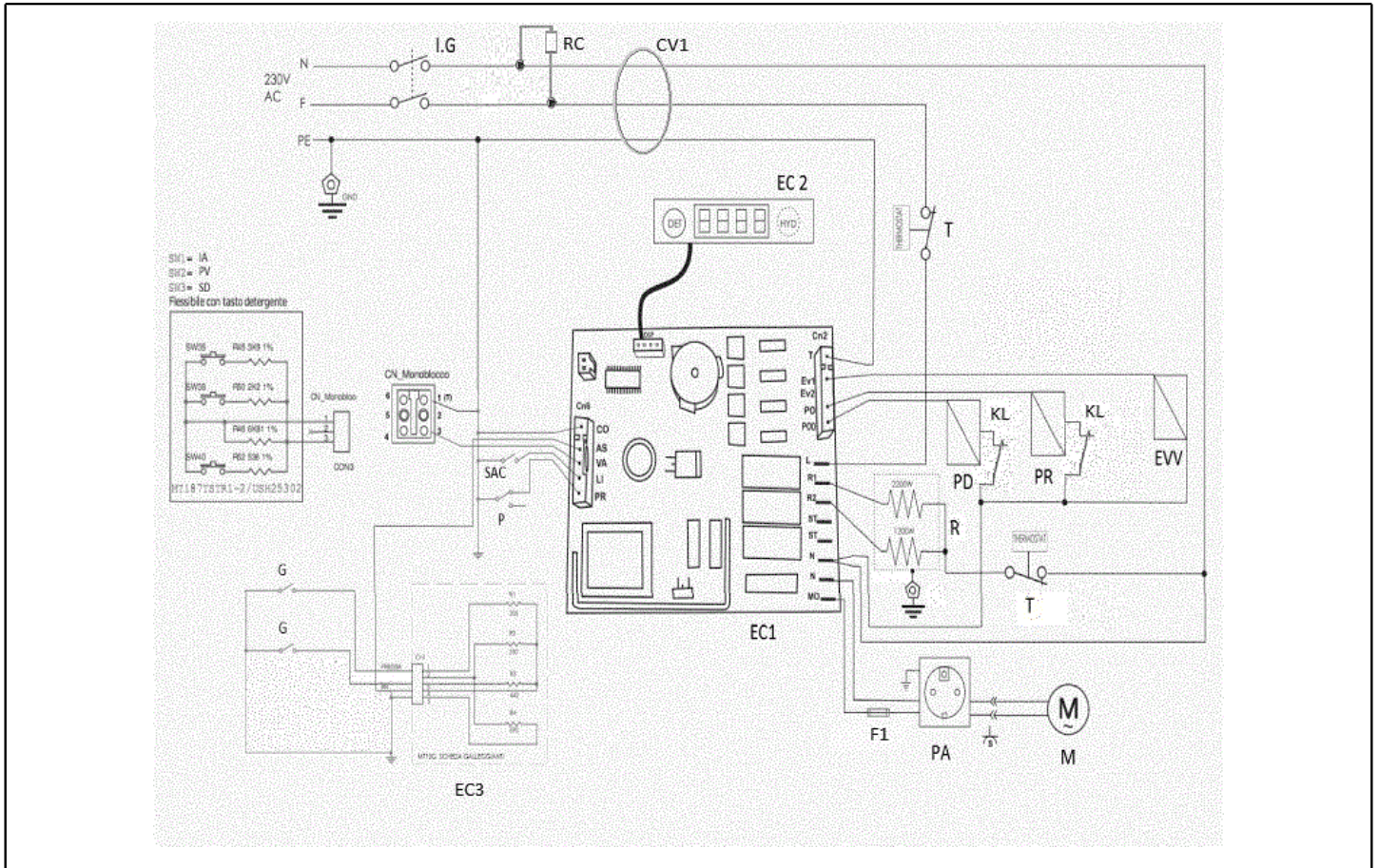
Ref. K	Part n.	Part n. 2	Description	Quantity	Validity		Price
					From	To	
0110	LAFN41232		LAT. PANEL DX SG-48	1,00			--
0111	LAFN41233		LAT. PANEL SX SG-48	1,00			--
0112	ASDO13463		VACUUM CLEANER A.303 D NE NUDO STI056	1,00			--
0114	TBFX00161		HOSE FLEX D.40	0,37			--
0123	VTVR40067		HANDWHEEL M 6MAX10-LP 30	2,00			--
0131	MECI40051		SENSOR LEVEL QV6 CBL.	2,00			--
0133	LAFN49978		SUPPORT SG.48	1,00			--
0136	MEVR40229		SHEATH D.25 TH. SG.48	0,25			--
0138	GUGO40094		SEAL GASKET SG.48	1,00			--
0139	GUGO40095		GASKET SG-48	1,00			--
0140	MEVR40231		FUSE-HOLDER 5X20	1,00			--
0141	MEVR13641		FUSE 5X20 8A	1,00			--
0142	FTDP40015		FILTER MIR. 175 X 125 POLY	1,00			--
9999	IPIP40021		GRIP STI ASP.VP. +4.0 MT	1,00			--



Ref. K	Part n.	Part n. 2	Description	Quantity	Validity		Price
					From	To	
0008	MECB40409		WIRING SG-48	1,00			--
0008	MECB40410		WIRING SG.48	1,00			--
0010	MEVR40226		CONNECTOR 4 V. M M.FIT MLX	1,00			--
0014	MEVR01892		PLUG ILME 1663SV 2P+T 220-16	1,00			--
0015	MECV00223		CABLE 3X2,5 H07 RNF	10,00			--
0017	VTDD00147		NUT M 4 INX U.5588	2,00			--
0019	VTDD15520		NUT M 6 A2 UNI 5588 INX	2,00			--
0025	MEEV40019		ELECTROVALVE B50	1,00			--
0032	FTAC40018		WATER FILTER D.30 PG. 0° PLS.	2,00			--
0038	MPVR40895		SUPPORT SV.10 A.VB.	4,00			--
0041	ITSO40002		INSULATOR SP.15MM SG-48	1,00			--
0042	MNMN40024		PRESSURE GAUGE 0-12 D.40 ATT.POST.1/8G	1,00			--
0043	MEVR40227		DOOR VAP. T.NA.	1,00			--
0044	MPVR40998		CONTROL COVER ELT PP BLK	1,00			--
0046	MLML40048		SPRING AR HPV	1,00			--
0048	RCVR40203		SPINNER SAMPLE D.8 MM	1,00			--
0050	GUGO03499		O-RING D. 13.10 X 2.62 VIT 70SH	3,00			--
0052	MPVR40891		KNOB SG.08/10	1,00			--
0053	PPEL40098		PUMP BY-P. 230V OT	2,00			--
0054	MEPF40048		PRESSURE SWITCH XP 1/8G 6.0BAR	1,00			--
0055	MPVR40999		PROTECTION Q.EL. KD30	1,00			--
0056	RCVR47486		CONNECTOR Y 1/8 M/F/F	1,00			--
0058	RCVR46851		BI-CONE CONNec. DTT 1/8"F B2 D. 4/ 6 NIC	1,00			--
0059	RCDS59682		CAP 1/8 M OT.NIK EI.CN	1,00			--
0060	RCVR40136		BI-CONE CONNec. L 1/4"M CN D.6/ 8 NIK	1,00			--
0061	RCVR40075		BI-CONE CONNec. DTT 1/8"M CL D. 6/ 8 INX	2,00			--
0062	RCVR40192		BI-CONE CONNec. L 1/8"M CN D.6/ 8 NIK	3,00			--
0063	RCDS85485		HOSE FITTING 3/8 M D. 12	2,00			--
0064	RCVR40201		BI-CONE CONNec. L 1/8"F D. 4/ 6 OT.	1,00			--
0065	RCVR40204		SPINNER SAMPLE D.8 MM	10,00			--
0066	RCVR40202		CROSS 1/2 MM-1/4 F/F SV.12 OT.	1,00			--
0067	RCIN40046		JOINT STEAM OT.	1,00			--
0071	TBAP40227		RIGID TUBE L=1000 1/8 F-F	1,00			--
0076	RCGR40016		TAP STEAM SG.10 1/8F-F	1,00			--
0083	VTRS04929		WASHER D.10 X14X1.5 AL	10,00			--
0084	VTRS01590		WASHER D.13.5X19 X1.5 AL	1,00			--
0091	MECE40080		PCB HWC	1,00			--
0092	LAFN41053		TUBE D. 6 STM SV-50 RM.	1,00			--
0095	LAFN49977		SUPPORT KS6 A. INX	1,00			--
0099	RCVR40206		CAP STM-SV.10	1,00			--
0105	METK40019		THERMOSTAT 175 °C SIC.	1,00			--
0106	METK40016		KLIKSON F11 100°C	2,00			--
0108	MEVR40228		PIN M 2.6 V.2	1,00			--
0113	LAFN41051		TUBE D. 6 STM SV-50 RM.	1,00			--



Ref. K	Part n.	Part n. 2	Description	Quantity	Validity		Price
					From	To	
0115	TBBP89815		L.P. HOSE D. 4- 8.5 SILIC. NT.	1,74			--
0118	TBBP41919		L.P. HOSE D. 6- 8 TEFLON	1,00			--
0119	TBBP40135		HOSE D.13X19 SIL.	0,45			--
0120	VVSC40023		VALVE SG48 G1/4M 10BAR	1,00			--
0121	VVSF40021		VALVE 1/8M-F OT. VIT. 250°C	1,00			--
0122	VVSF40020		VALVE N.RT. S11 OT	1,00			--
0132	MECE40081		GEARCASE/BOARD SG-48	1,00			--
0134	CDVE40041		BOILER 3.4 SG.48 230V	1,00			--
0135	MECI40052		PROBE TR6	1,00			--
0142	RCDS40189		BUSHING SG-50 OT.	1,00			--
0143	RCDS40190		CAP SG-50 OT.	1,00			--



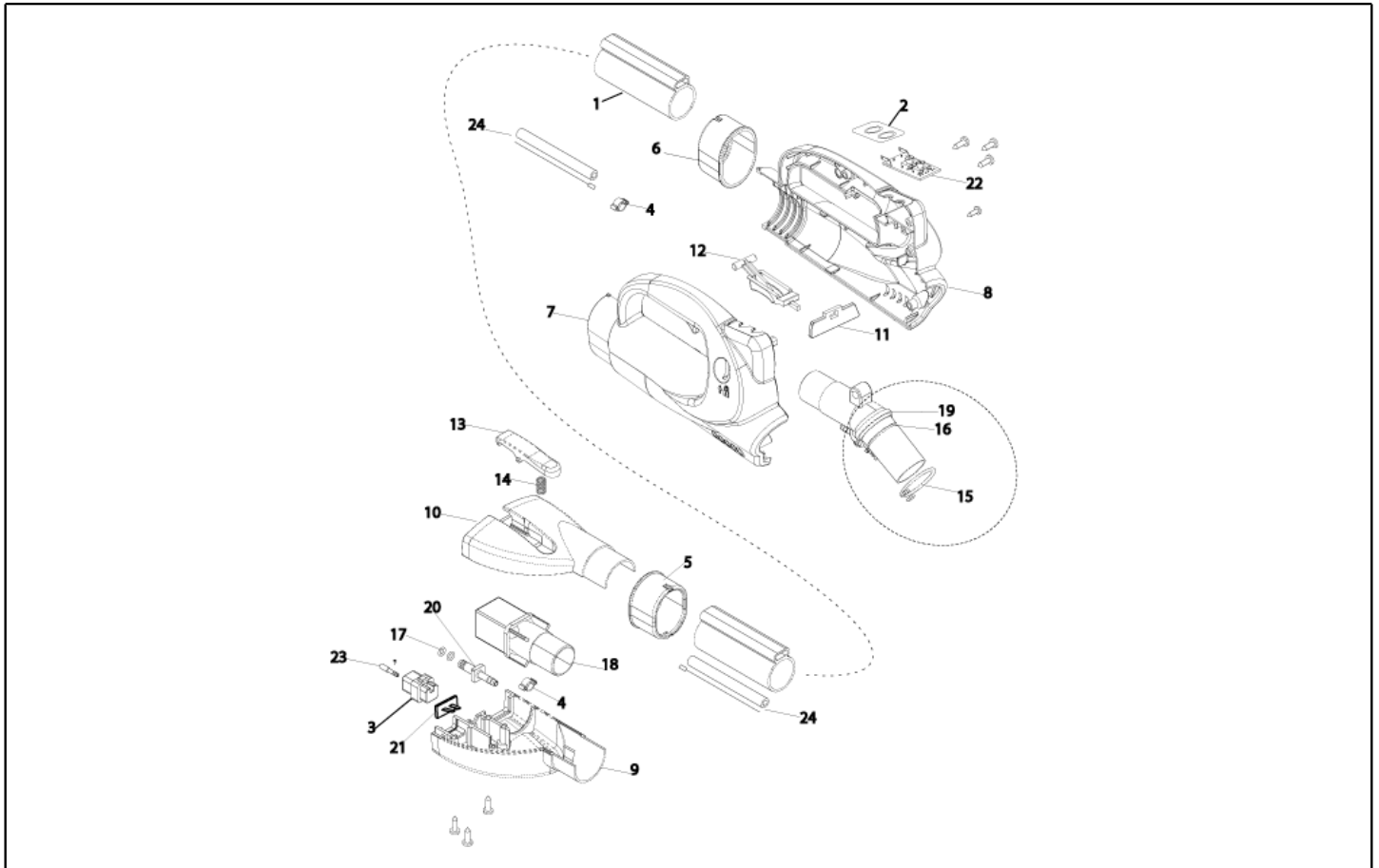
Ref. K	Part n.	Part n. 2	Description	Quantity	Validity		Price
					From	To	
G	MECI40051		SENSOR LEVEL QV6 CBL.	2,00			--
P	MEPF40048		PRESSURE SWITCH XP 1/8G 6.0BAR	1,00			--
T	METK40019		THERMOSTAT 175 °C SIC.	1,00			--
F1	MEVR13641		FUSE 5X20 8A	1,00			--
IG	MECI40053		SWITCH BIP. 2P 16A 230V	1,00			--
IG	MEVR40232		FRAME 48X48 GR/NE	1,00			--
KL	METK40016		KLIKSON F11 100°C	2,00			--
PA	MEVR40000		SOCKET CS-023-K 2P+T 230-16 IP54	1,00			--
PD	PEEL40098		PUMP BY-P. 230V OT	1,00			--
PR	PEEL40098		PUMP BY-P. 230V OT	1,00			--
RC	MECE40078		FILTER RC 3RT2916-1CF0	1,00			--
CV1	MECV00223		CABLE 3X2,5 H07 RNF	10,00			--
EC1	MECE40081		GEARCASE/BOARD SG-48	1,00			--
EC2	MECE40079		DISPLAY TR6/AC-VP	1,00			--
EC3	MECE40080		PCB HWC	1,00			--
EVV	MEEV40019		ELECTROVALVE B50	1,00			--
SAC	MECI40052		PROBE TR6	1,00			--



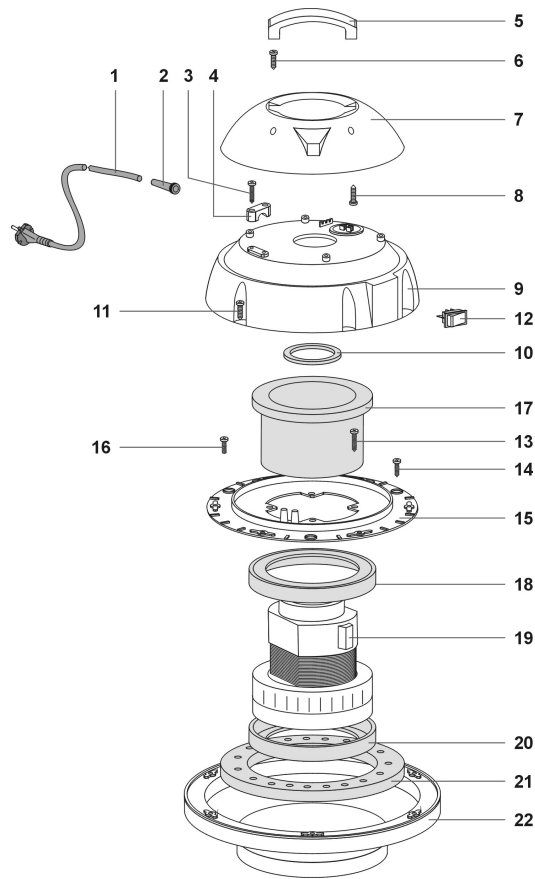
IPC Integrated Professional Cleaning

IPC Soteco

Ref. K	Part n.	Part n. 2	Description	Quantity	Validity		Price
					From	To	
0001	PMTA08893		VACUUM HEAD 303	1,00		01/06/2024	--
0002	KTRI49345		ANTIHOAM KIT 300/500/400/600	1,00	03/06/2024		--



Ref. K	Part n.	Part n. 2	Description	Quantity	Validity		Price
					From	To	
0001	TBFX40011		TUBE FLEX D.180 L= 70 PVC GR	1,00			--
0002	ETET41366		LABEL COMBO-C PLC	1,00			--
0003	MEVR40245		CONNECTOR 4 V. M M.FIT MLX	1,00			--
0004	FSVR40022		CLAMP D. 10 CLIC 100	2,00			--
0005	MPVR41003		RING NUT M 39 X 3 KSM RB.	1,00			--
0006	MPVR41004		RING NUT M 39 X 3 KSM RB.	1,00			--
0007	MPVR41005		SHELL ST 1100	1,00			--
0008	MPVR41006		SHELL ST 1100	1,00			--
0009	MPVR41007		SHELL ASP/VAP INF. PA6	1,00			--
0010	MPVR41008		SHELL ASP/VAP SUP. PA6	1,00			--
0011	MPVR41009		SHELL ST 1100	1,00			--
0012	MPVR41010		LEVER IMP. RD ASP/STM.	1,00			--
0013	MPVR41011		BUTTON ASP/VAP PA6	1,00			--
0014	MLML40049		SPRING AR HPV	1,00			--
0015	GUGO10464		O-RING D. 5.28 X 1.78 NBR 70SH	2,00			--
0016	GUGO01263		O-RING D. 28.30 X 1.78 NBR 70SH	1,00			--
0017	GUGO01055		O-RING D. 5.28 X 1.78 VIT 70SH	2,00			--
0018	MPVR41012		SHELL ST 1100	1,00			--
0019	MPVR41013		SHELL ST 1100	1,00			--
0020	RCIN40050		JOINT STEAM OT. D.6+OG.	1,00			--
0021	MPVR41014		SHELL ST 1100	1,00			--
0022	MECE40085		PCB ASP/VAP/DET	1,00			--
0023	MEVR40246			2,00			--
0024	TBBP40146		TUBE EPDM-AT 5-11 200°C 10BAR	5,00			--



Ref. K	Part n.	Part n. 2	Description	Quantity	Validity		Price
					From	To	
*	MECB35712		CABLE MIR. 500/600	1,00			--
0002	MEVR28673		FAIR-LEAD SZ G	1,00			--
0003	VTVT71961		SCREW PFU TMT PHL 5X20 ZN NERA	2,00			--
0004	MPVR28690		CABLE FASTNER MIR.	1,00			--
0005	MPVR34361		HANDLE MIR. AMST.N	1,00			--
0006	VTVT71961		SCREW PFU TMT PHL 5X20 ZN NERA	4,00			--
0008	VTVT71961		SCREW PFU TMT PHL 5X20 ZN NERA	2,00			--
0010	MPVR38371		SPACER MIR. H8 S.600	1,00			--
0011	VTVT71961		SCREW PFU TMT PHL 5X20 ZN NERA	6,00			--
0012	MECI72195		SWITCH	1,00			--
0013	VTVT71961		SCREW PFU TMT PHL 5X20 ZN NERA	4,00			--
0014	VTVT71960		SCREW PAT TMT PHL 5X14 ZN	2,00			--
0015	MPVR38366		MOTOR SUPPORT MIR. D.WET	1,00			--
0016	VTVT71962		SCREW TNT M 5x9,5 PH	1,00			--
0017	FTDP38066		AIR FILTER MIR. MTP/65 H.88	1,00		01/06/2024	--
0017	KTRI06586		KIT FILTRO FONO D200X105X20+D	1,00	03/06/2024		--
0018	GUGO28683		GASKET MIR. L/M	1,00			--
0019	MOMO00624		MOTOR BD382 1200W 220-240 50/60	1,00			--
0020	GUGO28683		GASKET MIR. L/M	1,00			--
0021	FTDP38067		RING MTP/65	1,00		01/06/2024	--
0021	FTDP00888		FILTER FONO D230X145X20	1,00	03/06/2024		--
0022	PMBA00375		BASE 300 W/GASKET+PI. BLACK	1,00			--

--	--	--	--	--	--	--	--	--

Ref. K	Part n.	Part n. 2	Description	Quantity	Validity		Price
					From	To	
0001	MPVR40521		NET ANTIFOAM BODY HIGH	1,00			--
0002	RCGR40008		FLOATER MIR. "99C/GU."	1,00			--
0003	MPVR35796		BUSHING PLASTIC SLEEVE D.8	4,00			--
0004	VTVT36751		SCREW SCREW PAT TMT PHL 5X25	4,00			--



Ref. K	Part n.	Part n. 2	Description	Quantity	Validity		Price
					From	To	
0001	VTVT36751		SCREW SCREW PAT TMT PHL 5X25	1,00			--