

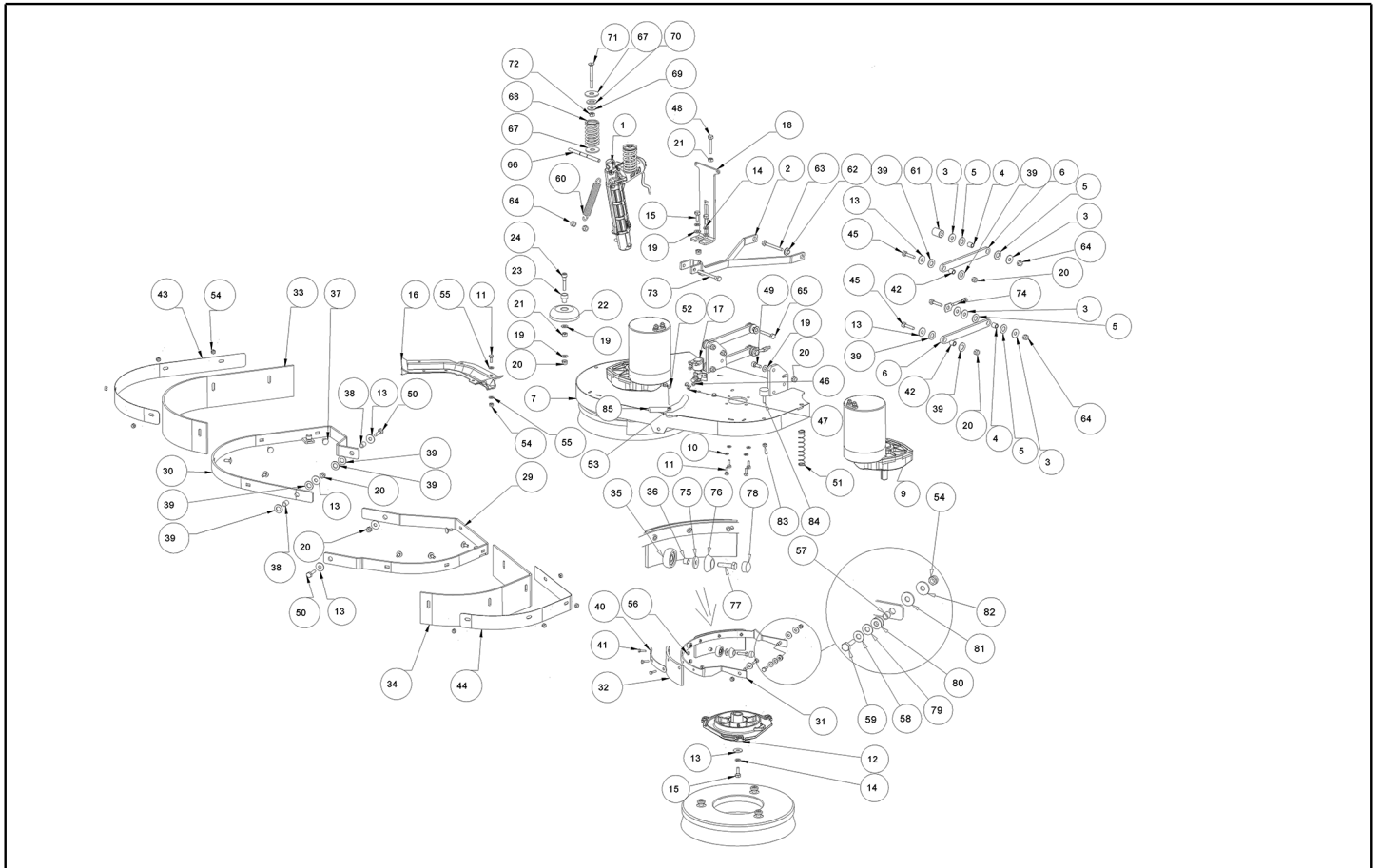


IPC

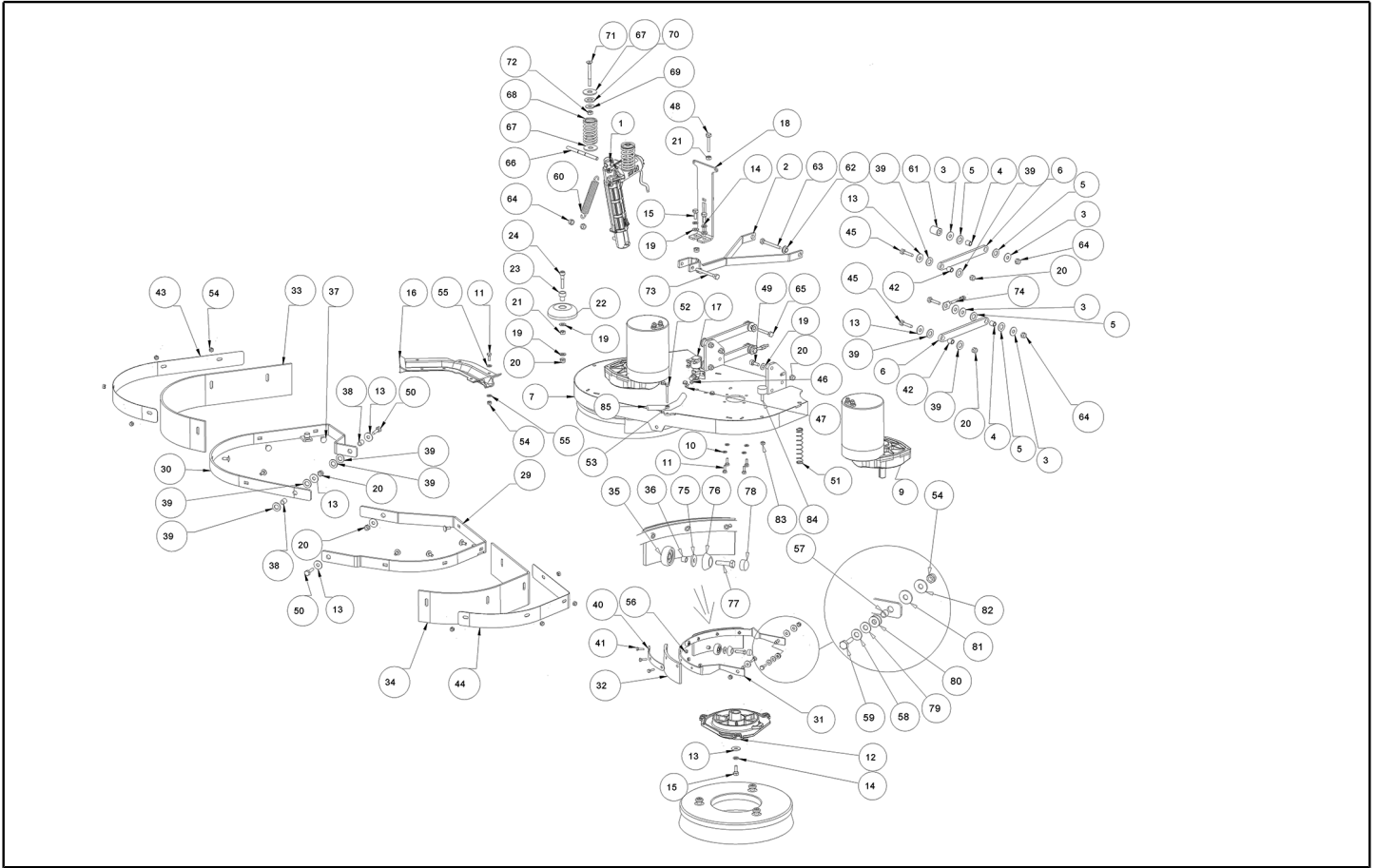
Spare parts list

Ref: LPTB02721

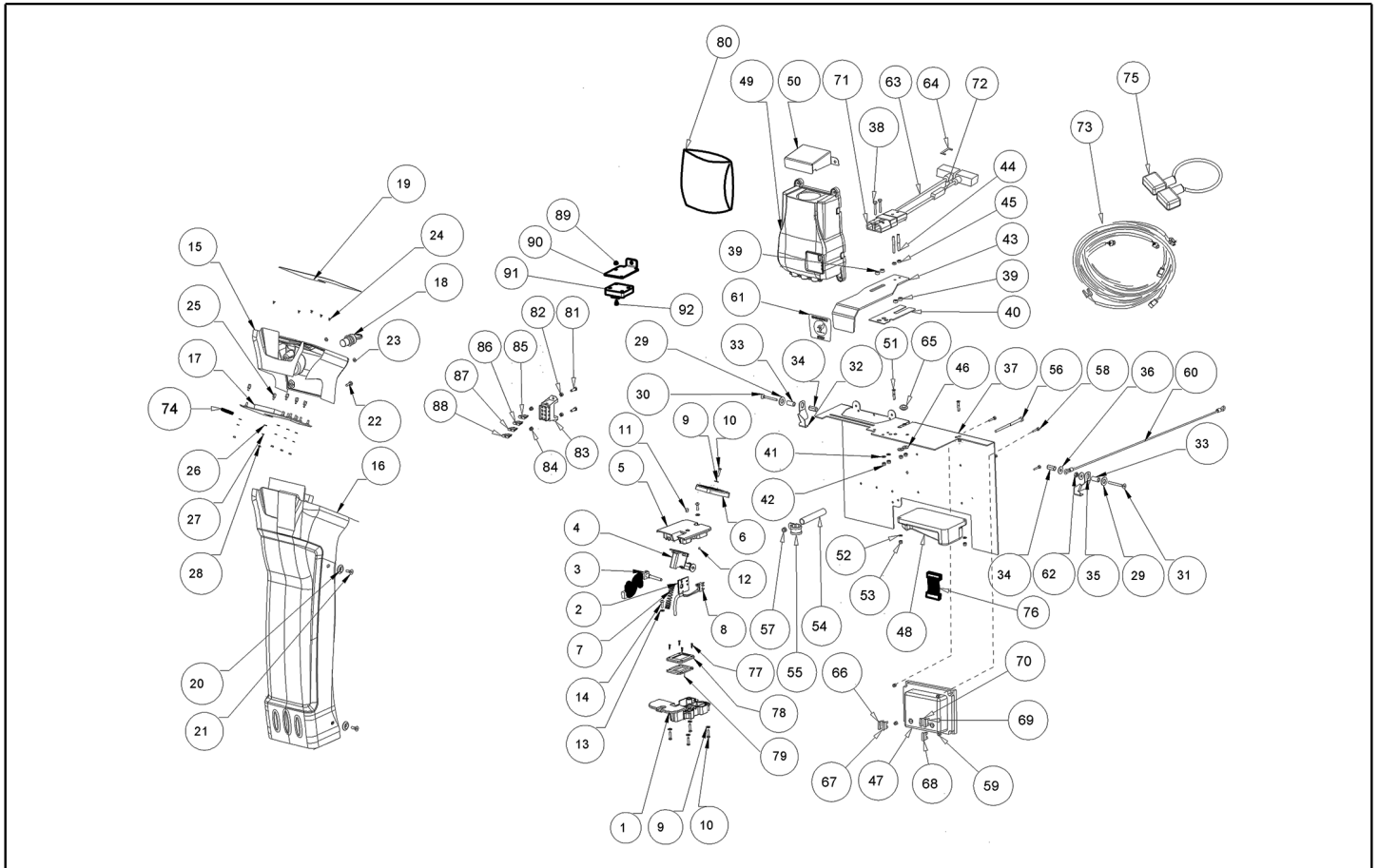
Model: FLOOR WASHER CT80 BT60+CB+BAT GR/VE



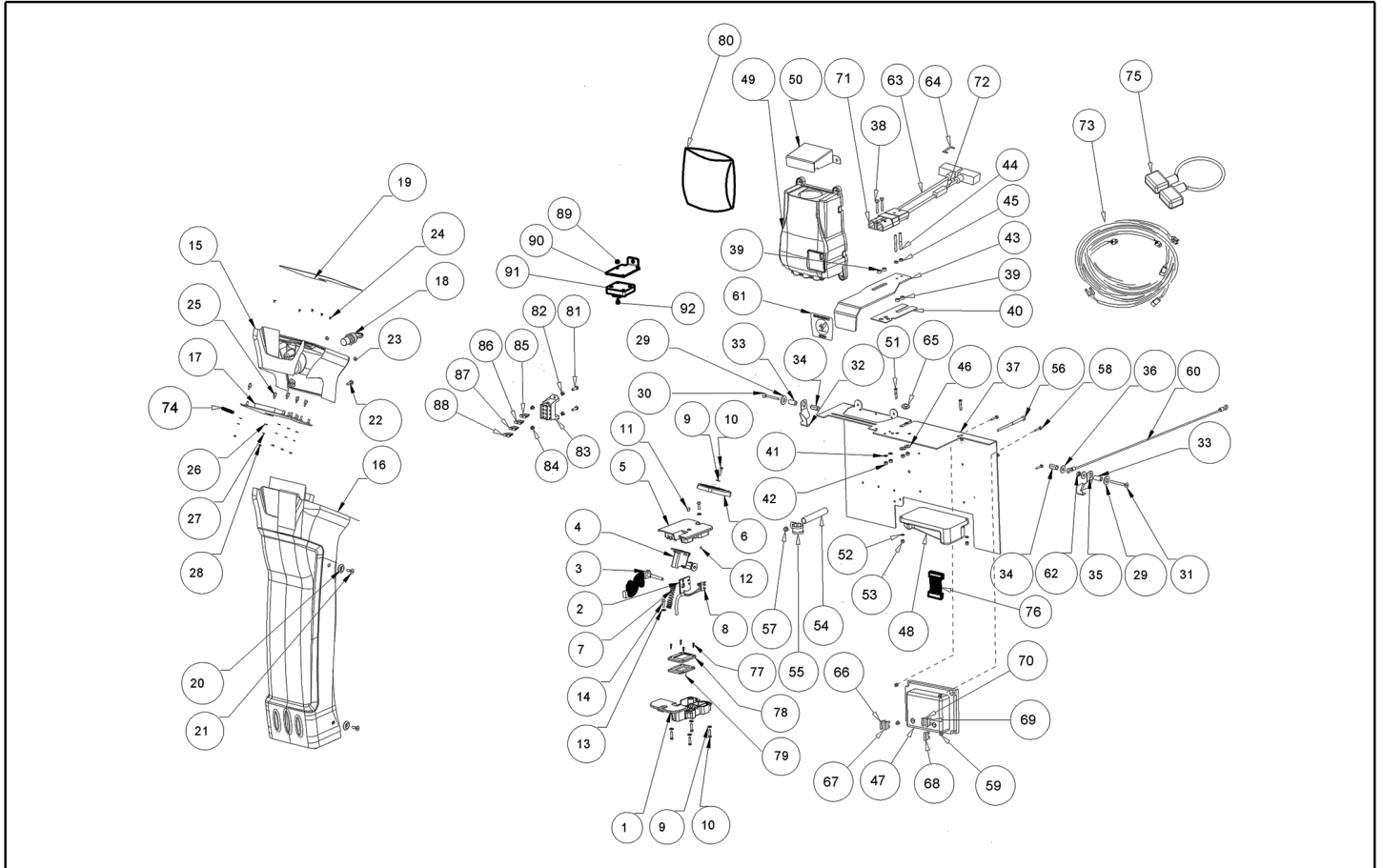
Ref. K	Part n.	Part n. 2	Description	Quantity	Validity		Price
					From	To	
0001	MOCC00423		ACTUATOR BRUSH HEAD CT80	1,00			--
0002	LAFN09305		BRACKET ACTUATOR 2BR. VERSION	1,00			--
0003	VTRS13946		WASHER D. 8 X24 INX UNI 6593	4,00			--
0004	LAFN04151		BUSHING X PARALLELOGRAMMA	2,00			--
0005	VTRS43258		WASHER D.13X24 X2.5 NYL UNI6592	4,00			--
0006	LAFN09298		BRACKET BRUSH HEAD CT80	4,00			--
0007	LAFN09307		HEAD BRUSH 60CM	1,00			--
0009	MOCC00328		MOTOR GEARBOX BRUSH 24V 380W	2,00			--
0010	VTRS15144		WASHER D. 6 INX GRW UNI 1751	8,00			--
0011	VTVT15143		SCREW TE 6X16 UNI5739	14,00			--
0012	MFVR00212		DRIVE DISK ALUMINIUM	2,00			--
0013	VTRS13946		WASHER D. 8 X24 INX UNI 6593	10,00			--
0014	VTRS15146		WASHER GROVER A2 UNI1751	4,00			--
0015	VTVT13938		SCREW TE 8X20 UNI5739 INX	2,00			--
0016	MPVR07146		CONVEYOR -	1,00			--
0017	MEEV00036		SOLENOID VALVE HOLE 8mm CLEANTIME	1,00			--
0018	LAFN09303		BRACKET -	1,00			--
0019	VTRS13947		WASHER D. 8 INX UNI 6592	6,00			--
0020	VTDD01695		NUT M 8 INX	10,00			--
0021	VTDD15521		NUT M 8 INX A2 UNI 5588	2,00			--
0022	MPVR06105		WHEEL BUMPER D.80 H=22	1,00			--
0023	LAFN03915		BUSHING NUOVO RUOTINO STRONG	1,00			--
0024	VTVT06241		SCREW 8X40	1,00			--
0029	LAFN09318		SUPPORT FLAP L.H. SIDE BT60	1,00			--
0030	LAFN09317		SUPPORT FLAP R.H. SIDE BT60	1,00			--
0031	LAFN09358		BRACKET -	2,00			--
0032	MPVR07113		FLAP -	4,00			--
0033	MPVR07110		FLAP R.H. SIDE 80BT60	1,00			--
0034	MPVR07111		FLAP L.H. SIDE 80BT60	1,00			--
0035	CUVR00184		BEARING RS608 2RS1 PU-COATED	2,00			--
0036	LAFN03840		BUSHING	2,00			--
0037	VTVT01208		SCREW TBEI 5X35	8,00			--
0038	LAFN08907		SPACER 12-8	2,00			--
0039	VTRS43258		WASHER D.13X24 X2.5 NYL UNI6592	8,00			--
0040	LAFN09295		SHEET METAL PA. -	4,00			--
0041	VTVT07725		SCREW TE 5X16 UNI5739 INX	12,00			--
0042	LAFN04151		BUSHING X PARALLELOGRAMMA	2,00			--
0043	LAFN09396		BRACKET -	1,00			--
0044	LAFN09397		BRACKET -	1,00			--
0045	VTVT00410		SCREW TE M8x35 UNI5739 INOX	2,00			--
0046	VTRS00515		WASHER D. 4 INX	2,00			--
0047	VTVT01158		SCREW M4x16	2,00			--
0048	VTVT15371		SCREW TE M 8X45 INOX A2 UNI	1,00			--
0049	VTVT13944		SCREW TCEI M 8X20 UNI 5931 INX	2,00			--



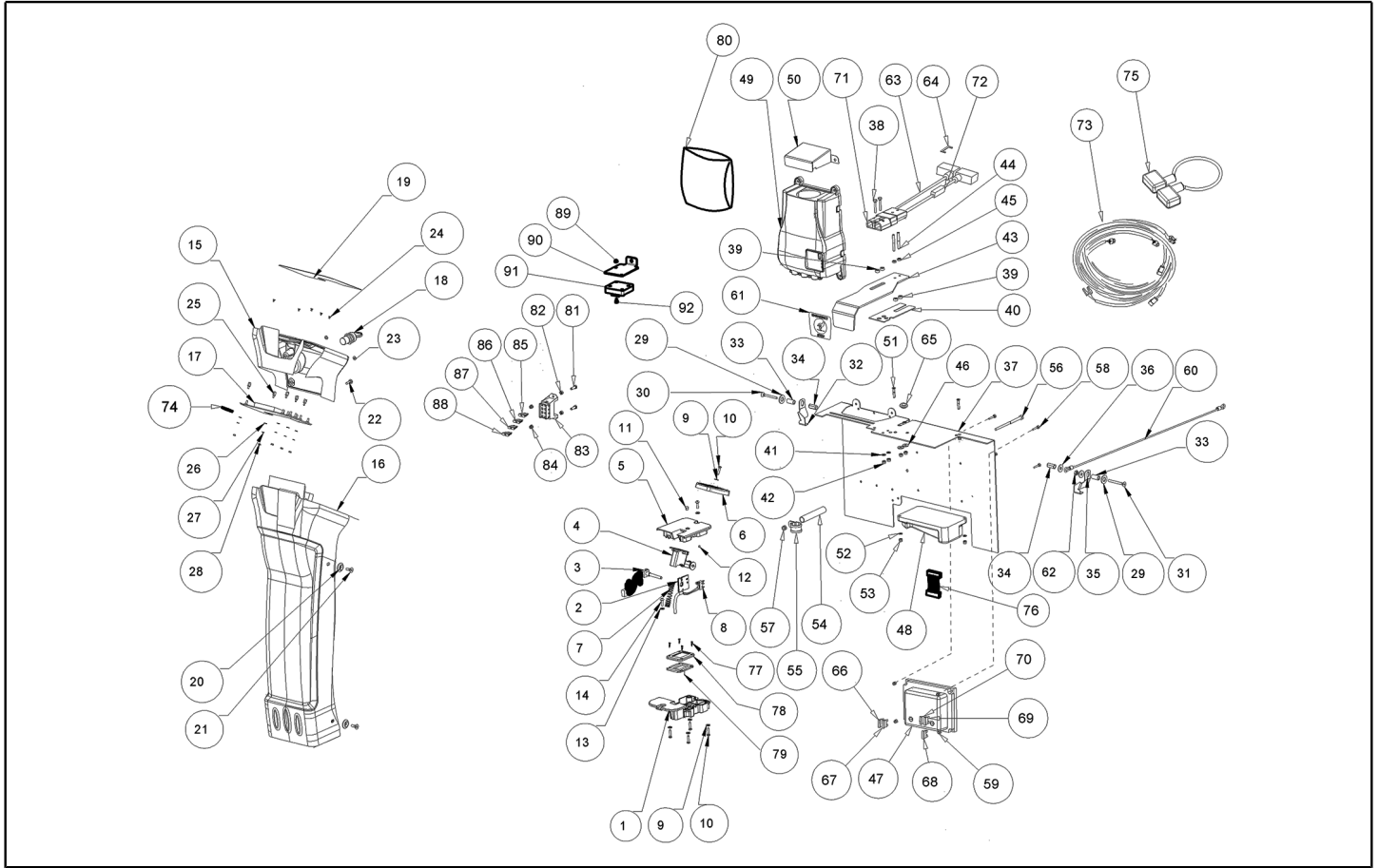
Ref. K	Part n.	Part n. 2	Description	Quantity	Validity		Price
					From	To	
0050	VTVT01050		SCREW TE M 8X30 INX UNI 5737	2,00			--
0051	MLML00345		SPRING -	2,00			--
0052	VTVT15515		SCREW TE M 6X 50 INOX A2	2,00			--
0053	VTDD00053		NUT M6 INOX UNI5589	2,00			--
0054	VTDD01694		NUT M6 INOX	18,00			--
0055	VTRS00245		WASHER D.6 UNI 6592 INOX	12,00			--
0056	VTDD01693		NUT M 5 INX	12,00			--
0057	LAFN07876		SPACER -	4,00			--
0058	VTRS13945		WASHER D. 6X18 INX UNI 6593	4,00			--
0059	VTVT13939		SCREW TE 6X20 UNI5739 INX	4,00			--
0060	MLML00347		SPRING BRUSH HEAD CT80	1,00			--
0061	LAFN09327		SPACER -	1,00			--
0062	LAFN06391		BUSHING BRUSH DECK SUPPORT	2,00			--
0063	VTVT00757		SCREW	1,00			--
0064	VTDD15521		NUT M 8 INX A2 UNI 5588	2,00			--
0065	VTVT00708		SCREW TE M. 8-40	1,00			--
0065	VTVT00708		SCREW TE M. 8-40	1,00			--
0066	LAFN09320		PIN -	2,00			--
0067	VTRS09142		WASHER UNI 6593 12X36X2,5	4,00			--
0068	MLML00324		SPRING -	2,00			--
0069	VTRS13946		WASHER D. 8 X24 INX UNI 6593	2,00			--
0070	VTRS00250		WASHER D.14	2,00			--
0071	VTVT00300		SCREW TSPEI M8x70 UNI5933	2,00			--
0072	VTDD15521		NUT M 8 INX A2 UNI 5588	2,00			--
0073	VTVT00769		SCREW M8X70 A2 UNI5737	1,00			--
0074	LAFN47168		BELT-STRETCHER ALTERNATORE TK1400	2,00			--
0075	VTRS13945		WASHER D. 6X18 INX UNI 6593	2,00			--
0076	MPVR06440		COVER -	2,00			--
0077	VTVT00428		SCREW TCEI 6X20 UNI5931 INX	2,00			--
0078	MPVR06441		COVER -	2,00			--
0079	VTRS13947		WASHER D. 8 INX UNI 6592	4,00			--
0080	MLML00168		SPRING 8,2/15,8-0,25 LISCIA	8,00			--
0081	VTRS00274		WASHER NYLON 66 D.8,4-17-2 UNI	4,00			--
0082	VTRS13945		WASHER D. 6X18 INX UNI 6593	4,00			--
0083	VTDD13942		NUT M 6 UNI 5587 INX	1,00	27/01/2015		--
0084	MPVR75799		FOOT 20X9 M6X18	1,00	27/01/2015		--
0085	TBFX48011		HOSE FLEX D.12X3 ARMORV.PVC TR	0,60			--



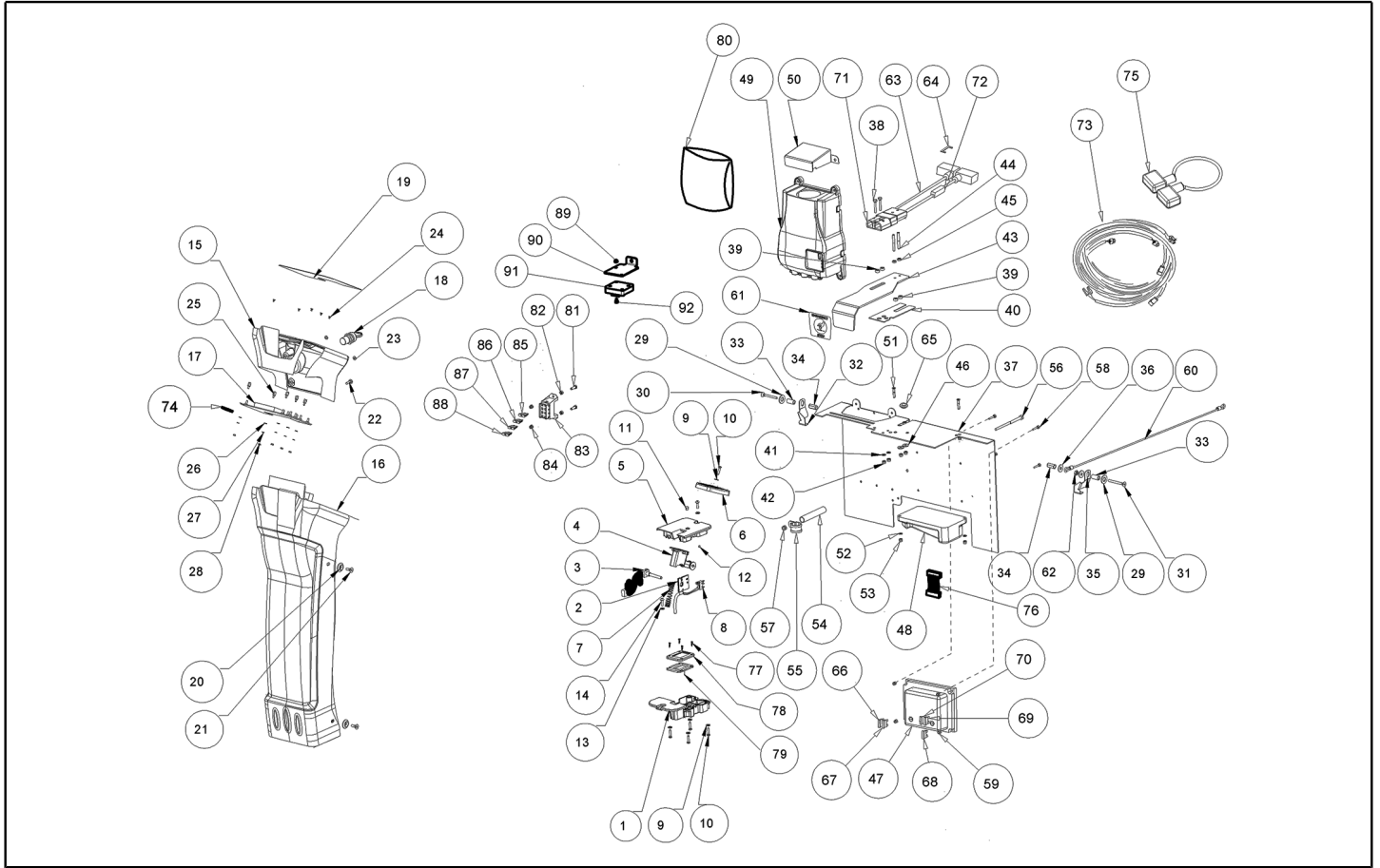
Ref. K	Part n.	Part n. 2	Description	Quantity	Validity		Price
					From	To	
0001	S	MPVR07120	BASE -	1,00		30/09/2019	--
0001		MPVR11937	BASE CT80 ACCELERATOR	1,00	01/10/2019		--
0002	S	MPVR07122	PLATE -	1,00			--
0003	S	MEVR01755	POTENTIOMETER PEDAL CT80	1,00			--
0004	S	MPVR07121	SUPPORT -	1,00		30/09/2019	--
0004		MPVR11940	SUPPORT CT80 ACCELERATOR	1,00	01/10/2019		--
0005	S	MPVR07119	COVER -	1,00		30/09/2019	--
0005		MPVR11938	COVER CT80 ACCELERATOR	1,00	01/10/2019		--
0006	S	MPVR07126	COVER -	1,00		30/09/2019	--
0006		MPVR11939	PEDAL CT80 ACCELERATOR	1,00	01/10/2019		--
0007		MLML00339	SPRING -	1,00		25/01/2017	--
0007	S	MLML00476	SPRING -	1,00	26/01/2017		--
0008	S	MECI00414	MICROSWITCH PEDAL CT80	1,00			--
0009		VTRS00516	WASHER D. 5 INX	4,00			--
0010		VTVT48694	SCREW TCB TC 5 X12 UNI 9707 TZ	4,00			--
0011		RCVR00163	CAP D.6	1,00			--
0012		VTVT01703	GRUB SCREW M4X8	1,00			--
0013		VTRS00516	WASHER D. 5 INX	1,00			--
0014		VTVT45339	SCREW TBCE ISO 7380 5X16 ZB	1,00			--
0015		MPVR07124	INSTR.PANEL -	1,00			--
0016		MPVR07123	SIDE PANEL PANEL CT80 GREEN	1,00			--
0017		MECE00589	BOARD DISPLAY CT80	1,00			--
0018		MECI75805	SWITCH KEY FOR BATTERY MACHINES	1,00			--
0019		ETET01797	LABEL -	1,00			--
0020		VTVR41809	UND.SCREW FLAN. D. 6.5-22 H4.5 NYL.NERO	4,00			--
0021		VTVT00832	SCREW TSPEI M6X16 INOX	4,00			--
0022		VTVT00787	SCREW TBEI M 6-16	2,00			--
0023		VTRS13750	WASHER D. 5X14 INX	2,00			--
0024		VTVT01377	SCREW TSP-TC M 3X5 UNI7688 INX	5,00			--
0025		VTVR00576	SPACER M3	5,00			--
0026		VTRS00268	WASHER D.3	5,00		09/11/2016	--
0027		VTRS21116	WASHER D. 3 INX	5,00			--
0028		VTDD21115	NUT M 3 INOX	5,00		09/11/2016	--
0028		VTDD00210	NUT M 3 AUTOBL.DIN 985 IX.A2	5,00	10/11/2016		--
0029		VTRS15523	WASHER D.10 X21 INOX UNI 6592	2,00			--
0030		VTVT26818	SCREW M6x45 TSPEI UNI5933	1,00			--
0031		VTVT30247	SCREW TSPEI M 6X 50 UNI 5933	1,00			--
0032		LAFN09398	BRACKET -	1,00			--
0033		MPVR07165	SPACER -	2,00			--
0034		VTVR00556	RIVET -	2,00			--
0035		LAFN09399	BRACKET -	1,00			--
0036		VTRS00245	WASHER D.6 UNI 6592 INOX	3,00			--
0037		LAFN09322	SUPPORT ELECTRONICS+CHARGER	1,00			--
0038		VTVT00423	SCREW TE M 5X 30 UNI 5739	2,00			--



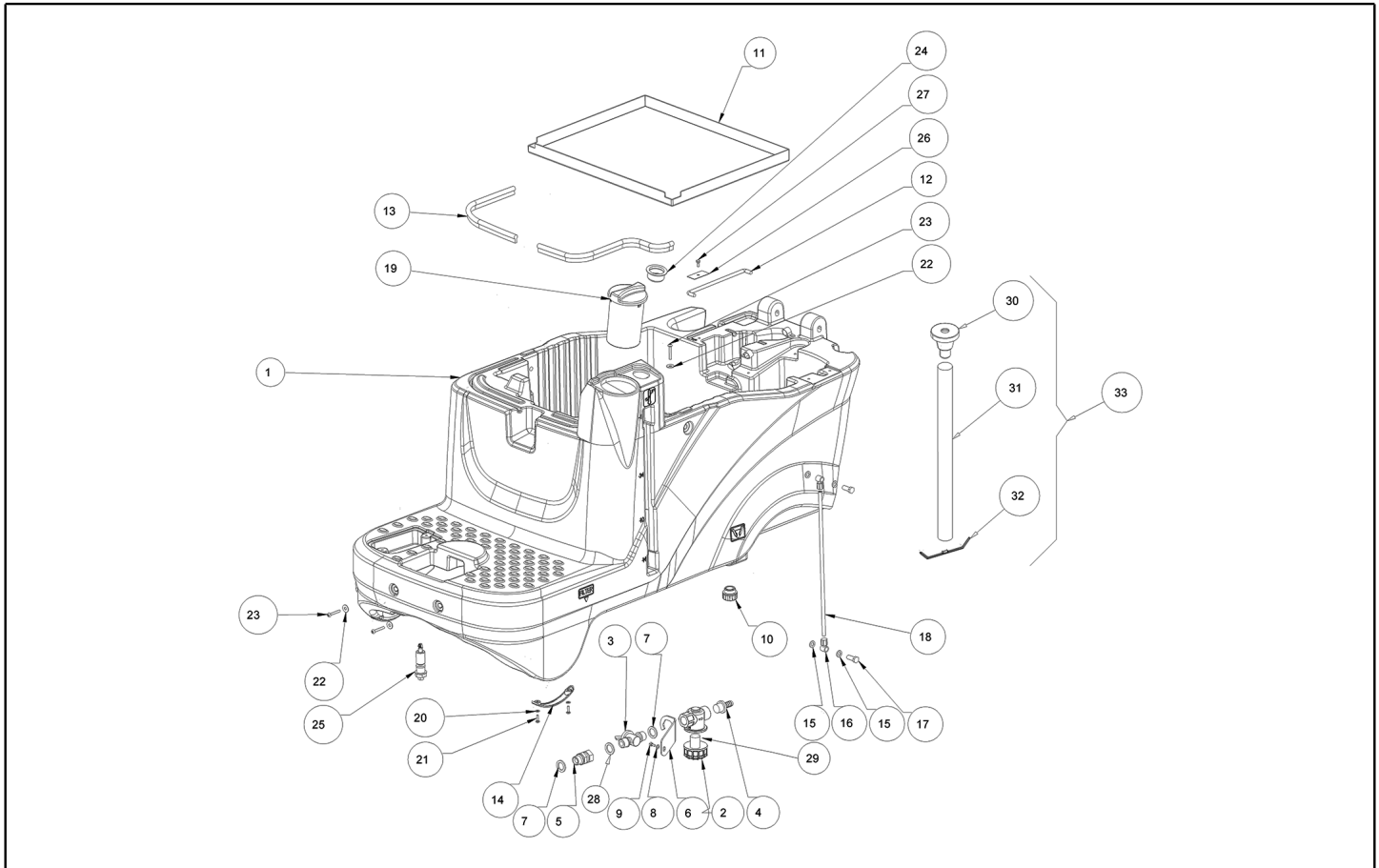
Ref. K	Part n.	Part n. 2	Description	Quantity	Validity		Price
					From	To	
0039	MPVR07164		SPACER -	4,00			--
0040	MPVR07141		PLATE -	1,00			--
0041	VTRS00516		WASHER D. 5 INX	2,00			--
0042	VTDD01693		NUT M 5 INX	2,00			--
0043	LAFN09321		LEVER -	1,00			--
0044	LAFN09350		PIN -	2,00			--
0045	VTDD07727		NUT M 5 INOX	2,00			--
0046	VTRS13750		WASHER D. 5X14 INX	2,00			--
0047	S MECE00588		BOARD POWER SERVICE CT80	1,00		28/01/2016	--
0047	MECE00738		BOARD POWER SERVICE CT80	1,00	29/01/2016		--
0048	MECE00607		BOARD TRACTION CURTIS CT80	1,00		09/12/2021	--
0048	MECE00907		BOARD CURTIS 1212S	1,00	10/12/2021		--
0049	BACA00181		BATTERY-CHARGER CBHD3 OB CT80 24V 25A	1,00			--
0050	LAFN09325		DISTRIBUTOR 60	1,00			--
0051	VTVT00861		SCREW TSPEI 4X25	2,00			--
0052	VTRS00515		WASHER D. 4 INX	2,00			--
0053	VTDD00055		NUT M 4 ATB A2	2,00			--
0054	LAFN09323		HOSE -	1,00			--
0055	MEVR02096		FAIR-LEAD D.22 F.8,5 Inox430.	1,00			--
0056	VTVT00414		SCREW TE M6x100 UNI5739	1,00			--
0057	VTDD01694		NUT M6 INOX	1,00			--
0058	VTVT00704		SCREW TE M 4X 16 UNI5739 INOX	4,00			--
0059	VTDD15925		NUT M 4 INX+ZN	4,00			--
0060	CMCV00469		CABLE CT80	1,00		08/06/2016	--
0060	CMCV00471		CABLE CT80	1,00	09/06/2016		--
0061	ETET01825		LABEL -	1,00			--
0062	VTDD00053		NUT M6 INOX UNI5589	1,00			--
0063	KTRIO2290		CABLE BATTERY-ANDERSON+FUS.CT80	1,00			--
0064	MEVR32087		FUSE 100A NST.	1,00			--
0065	MEVR00686		FAIR-LEAD DIAMETER 15.5	1,00	20/02/2015		--
0066	MEVR01136		FUSE 30A	1,00		28/01/2016	--
0066	MEVR00644		FUSE MAXIVAL 30A	1,00	29/01/2016		--
0067	MEVR01136		FUSE 30A	1,00		28/01/2016	--
0067	MEVR00644		FUSE MAXIVAL 30A	1,00	29/01/2016		--
0068	MEVR01136		FUSE 30A	1,00		28/01/2016	--
0068	MEVR00644		FUSE MAXIVAL 30A	1,00	29/01/2016		--
0069	MEVR01132		FUSE A LAMA 5 A.	1,00			--
0070	MEVR01132		FUSE A LAMA 5 A.	1,00			--
0071	MEVR01621		PLUG ANDERSON SB120 RED	1,00			--
0072	MEVR31036		FUSE-HOLDER	1,00			--
0073	MECB01393		WIRING CT80 APC	1,00		18/01/2021	--
0073	MECB02210		WIRING .	1,00	19/01/2021	09/12/2021	--
0073	MECB02306		WIRING .	1,00	10/12/2021		--
0074	MEVR02097		SD-CARD -	1,00			--



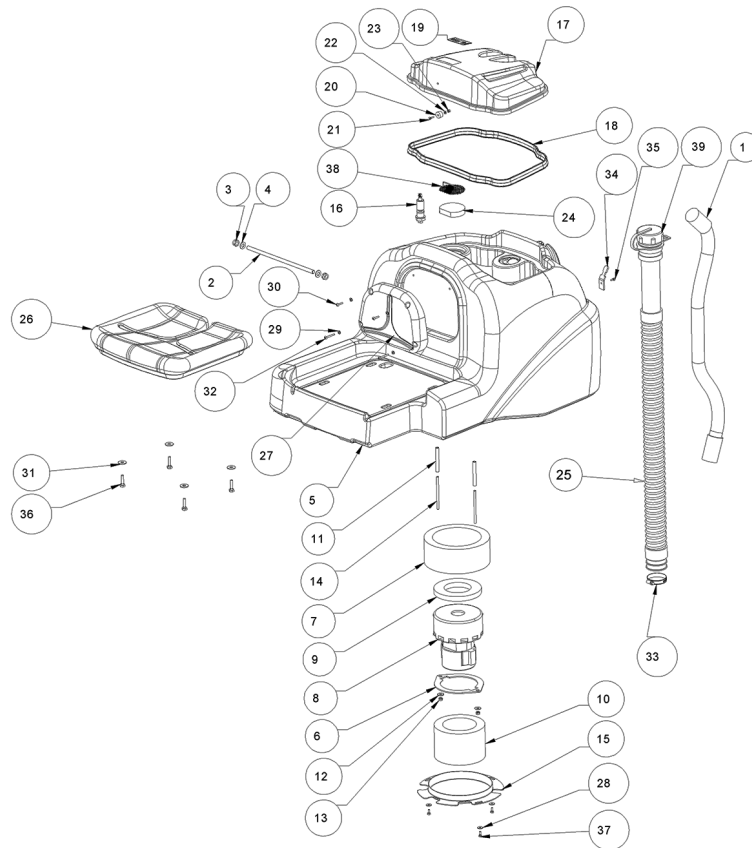
Ref. K	Part n.	Part n. 2	Description	Quantity	Validity		Price
					From	To	
0075	MEVR34820		WIRING BATTERY BRIDGE W/TERMINAL	3,00			--
0076	MECB01362		WIRING INTERFACE CURTIS BOARD	1,00			--
0077	VTVT01594		SCREW VITE TSPC 3x12	4,00	01/10/2019		--
0078	MPVR11928		GASKET BRAKE PEDAL CT80	1,00	01/10/2019		--
0079	MPVR11933		GASKET CT80 ACCELERATOR	1,00	01/10/2019		--
0080	MPVR02838		BAG CHARGER POWER CORD	1,00			--
0081	VTVT07725		SCREW TE 5X16 UNI5739 INX	2,00	19/01/2021	09/12/2021	--
0082	VTDD07727		NUT M 5 INOX	2,00	19/01/2021	09/12/2021	--
0083	MEVR02666		FUSE CARRIER DIN	1,00	19/01/2021	09/12/2021	--
0084	VTDD01693		NUT M 5 INX	2,00	19/01/2021	09/12/2021	--
0085	MEVR01132		FUSE A LAMA 5 A.	1,00	19/01/2021	09/12/2021	--
0086	MEVR01132		FUSE A LAMA 5 A.	1,00	19/01/2021	09/12/2021	--
0087	MEVR00584		FUSE 3A	1,00	19/01/2021	09/12/2021	--
0088	MEVR00584		FUSE 3A	1,00	19/01/2021	09/12/2021	--
0089	VTDD00055		NUT M 4 ATB A2	2,00	10/12/2021		--
0090	LAFN11766		SUPPORT .	1,00	10/12/2021		--
0091	MECE00904		BOARD RELE'	1,00	10/12/2021		--
0092	VTVT01556		SCREW TCEI M4X16 UNI5931 A2	2,00	10/12/2021		--



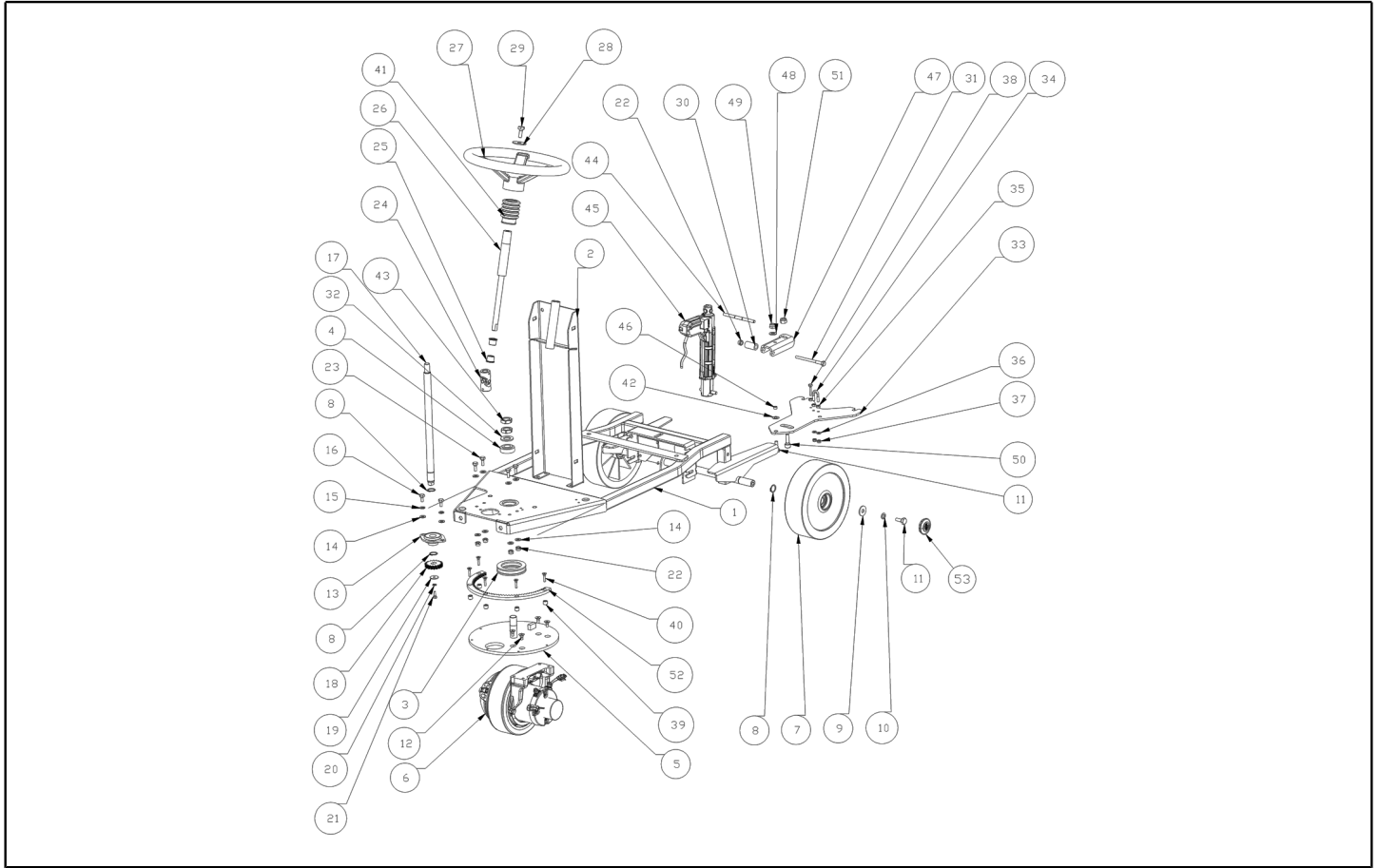
Ref. Part n.	Part n. 2	Description	Reference	Price
KTRI02313		KIT POWER BOARD CT80	0047	--
PMVR01531		ACCELERATOR COMPLETE CT80	0001 0002 0003 0004 0005 0006 0007 0008	--



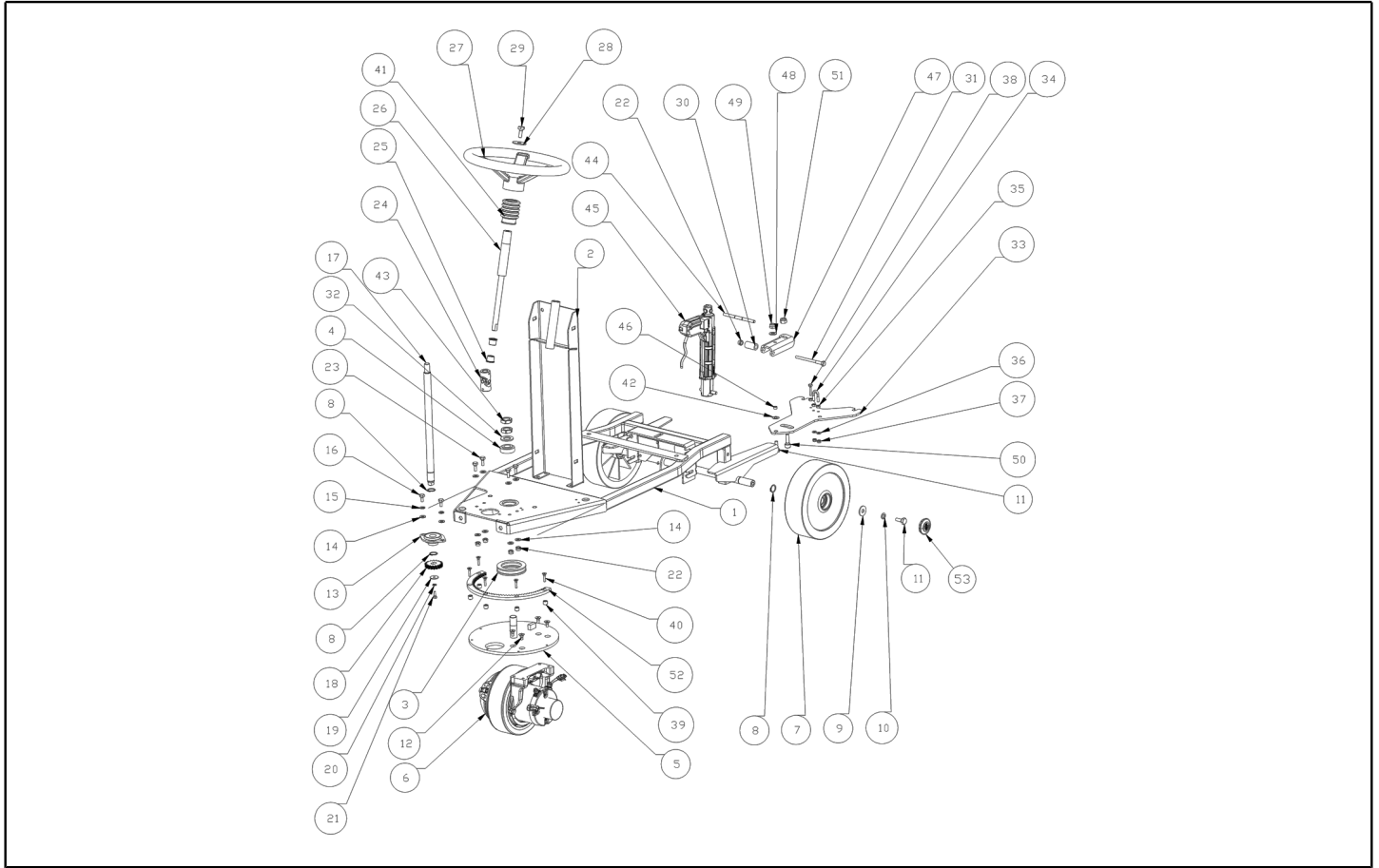
Ref. K	Part n.	Part n. 2	Description	Quantity	Validity		Price
					From	To	
0001	MPVR07117		TANK SOLUTION CT80 GRAY	1,00			--
0002	FTAC00045		FILTER SOLUTION CT80 COMPLETE	1,00			--
0003	RCGR00078		VALVE TAP SOLUTION TANK	1,00			--
0004	RCVR00514		CONNECTOR 1/2 M RESCA 15	1,00			--
0005	RCVR00594		CONNECTOR 1/2" M/F	1,00			--
0006	LAFN09393		BRACKET FILTER SUPPORT CT80	1,00			--
0007	VTRS00567		WASHER 1/2	2,00			--
0008	VTRS13750		WASHER D. 5X14 INX	1,00			--
0009	VTVT01300		SCREW TE M5X12 INOX	1,00			--
0010	MPVR07073		CAP SOLUTION TANK CT110	1,00		25/10/2016	--
0010	MPVR10773		CAP 3/4"	1,00	26/10/2016		--
0011	MPVR07131		CONTAINER BATTERY CT80	1,00			--
0012	LAFN09401		PIN SAFETY REC.TANK CT80	1,00			--
0013	GUVR00288		GASKET N052 S1007	0,80			--
0014	MPVR06102		PROTECTION SOLUTION TANK	2,00			--
0015	GUGO40012		GASKET D. 9- 16 X 2 VITON	4,00		11/02/2015	--
0015	GUGO00461		GASKET NBR	4,00	12/02/2015		--
0016	RCVR40127		CONNECTOR 1/8" D. 6/ 8 NIK	2,00			--
0017	RCVR40079		SCREW G 1/8 L= 28	2,00			--
0018	TBBP15347		L.P. HOSE D. 6- 8 RILSAN NT.	0,37			--
0019	MPVR07127		CAP SOLUTION DOSER	1,00		04/05/2017	--
0019	MPVR11497		CAP SOLUTION TANK	1,00	05/05/2017		--
0020	VTRS00516		WASHER D. 5 INX	4,00			--
0021	VTVT00805		SCREW TBEI M. 5-10	4,00			--
0022	VTRS13946		WASHER D. 8 X24 INX UNI 6593	2,00			--
0023	VTVT00410		SCREW TE M8x35 UNI5739 INOX	2,00			--
0024	MPVR06399		CAP -	1,00			--
0025	MECI00533		SENSOR VS303-51N	1,00			--
0026	LAFN09408		FLANGE FOR SAFETY PIN	1,00			--
0027	VTVT01300		SCREW TE M5X12 INOX	1,00		16/05/2018	--
0027	VTVT01317		SCREW M 5X 12 TSPEI UNI 5933	1,00	17/05/2018		--
0028	GUGO01054		O-RING D. 15.08 X 2.62 NBR 70SH	1,00	30/01/2015		--
0029	LAFN11037		MESH FOR FILTER FTAC00045	1,00			--
0030	MPVR06404		JOINT -	1,00			--
0031	TBFX00375		TUBE -	0,90			--
0032	MPVR08038		PLATE CT15-30	1,00			--
0033	KTRI02248		KIT .	1,00			--



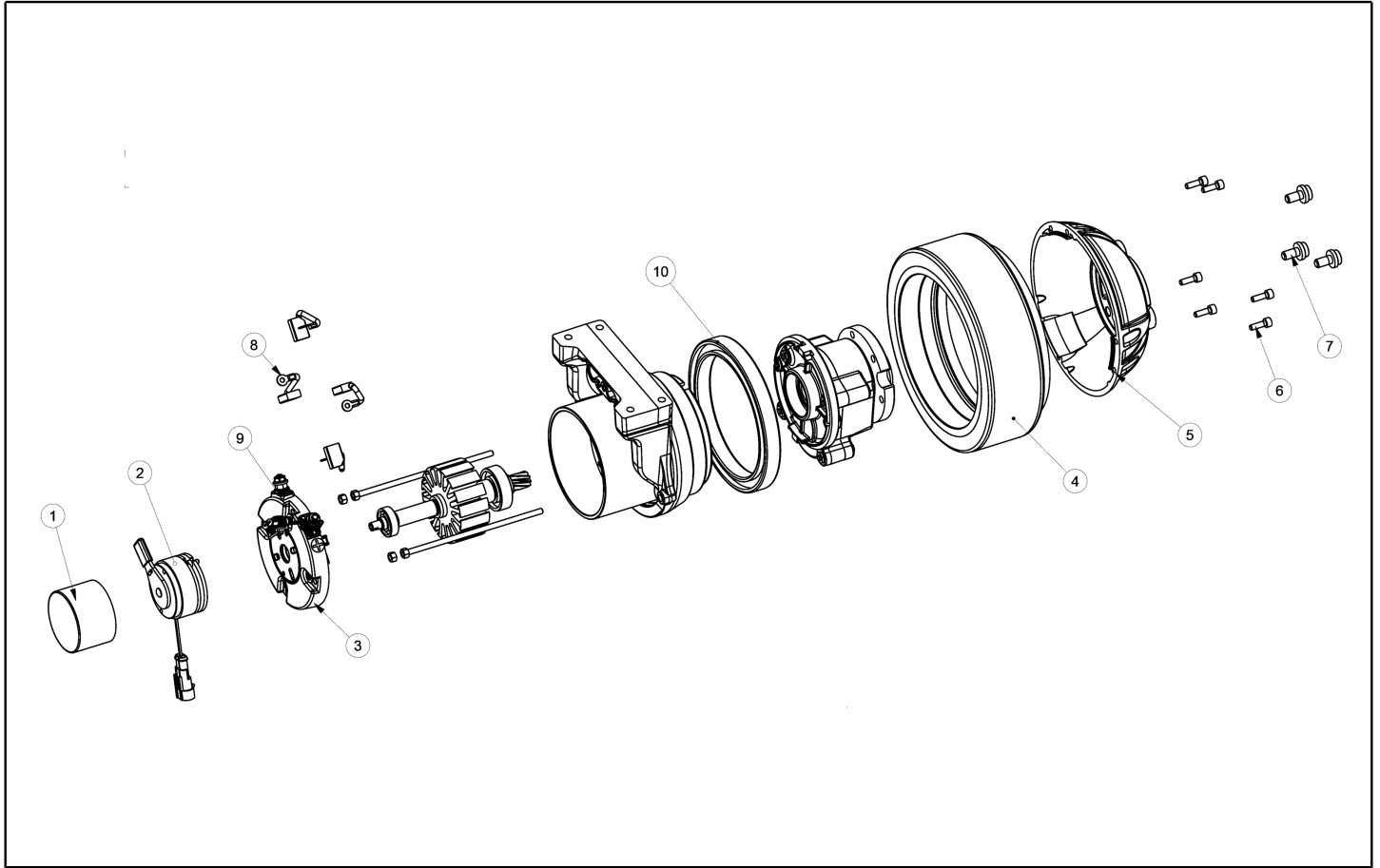
Ref. K	Part n.	Part n. 2	Description	Quantity	Validity		Price
					From	To	
0001	KTRI04702		KIT REPLACEMENT TBBP00512	1,00			--
0002	LAFN09389		PIN -	1,00			--
0003	VTDD10310		NUT AUTOBL.M10 INOX DIN 985	2,00			--
0004	VTRS15523		WASHER D.10 X21 INOX UNI 6592	2,00			--
0005	MPVR07116		TANK RECOVERY CT80 GREEN	1,00			--
0006	LAFN09352		FLANGE -	1,00			--
0007	ITSO00073		INSULATOR -	1,00			--
0008	MOCC00273		MOTOR VACUUM 3ST 24V	1,00			--
0009	GUGO00272		GASKET VACUUM MOTOR CT	1,00			--
0010	ITSO00072		INSULATOR -	1,00			--
0011	LAFN51077		SPACER PH	2,00			--
0012	VTRS13945		WASHER D. 6X18 INX UNI 6593	2,00			--
0013	VTDD01694		NUT M6 INOX	2,00			--
0014	VTVT00785		ROD FILETTO	2,00			--
0015	MPVR07125		COVER -	1,00			--
0016	MECI00533		SENSOR VS303-51N	1,00			--
0017	MPVR07118		COVER -	1,00			--
0018	GUGO00322		GASKET CT80 TANK LID	1,00			--
0019	ETET01824		LABEL -	1,00			--
0020	MPVR06400		CAP -	1,00			--
0021	VTVT00056		SCREW TSCE 4X12 ACCIAIO INOX	1,00			--
0022	VTRS00515		WASHER D. 4 INX	1,00			--
0023	VTDD00055		NUT M 4 ATB A2	1,00			--
0024	FTDP00232		FILTER VACUUM MOT. CT80	1,00			--
0025	TBBP00513		HOSE DRAIN RECOVERY TANK CT80	1,00			--
0026	SESD86493		DISTRIBUTOR 60	1,00		17/07/2018	--
0026	SESD86494		SEAT SENSOR REED CT80	1,00	18/07/2018		--
0027	MPVR07132		BACKREST CT80	1,00			--
0028	VTRS13750		WASHER D. 5X14 INX	3,00			--
0029	VTRS00516		WASHER D. 5 INX	4,00			--
0030	VTVT00852		SCREW TBEI M 5X 20 ISO 7380 IX	2,00			--
0031	VTRS13946		WASHER D. 8 X24 INX UNI 6593	4,00			--
0032	VTVT01207		SCREW TBEI 5X35	2,00			--
0033	FSVR00033		CLAMP 45-60	1,00			--
0034	LAFN09400		HOOK DRAIN HOSE CT80	1,00			--
0035	VTVT21096		SCREW TE M 4X 10 INX	1,00			--
0036	VTVT13937		SCREW TE M 8X 30 INX UNI 5739	4,00			--
0037	VTVT01300		SCREW TE M5X12 INOX	3,00			--
0038	LAFN09353		MESH -	1,00			--
0039	KTRI01980		KIT CAP DRAIN HOSE	1,00			--



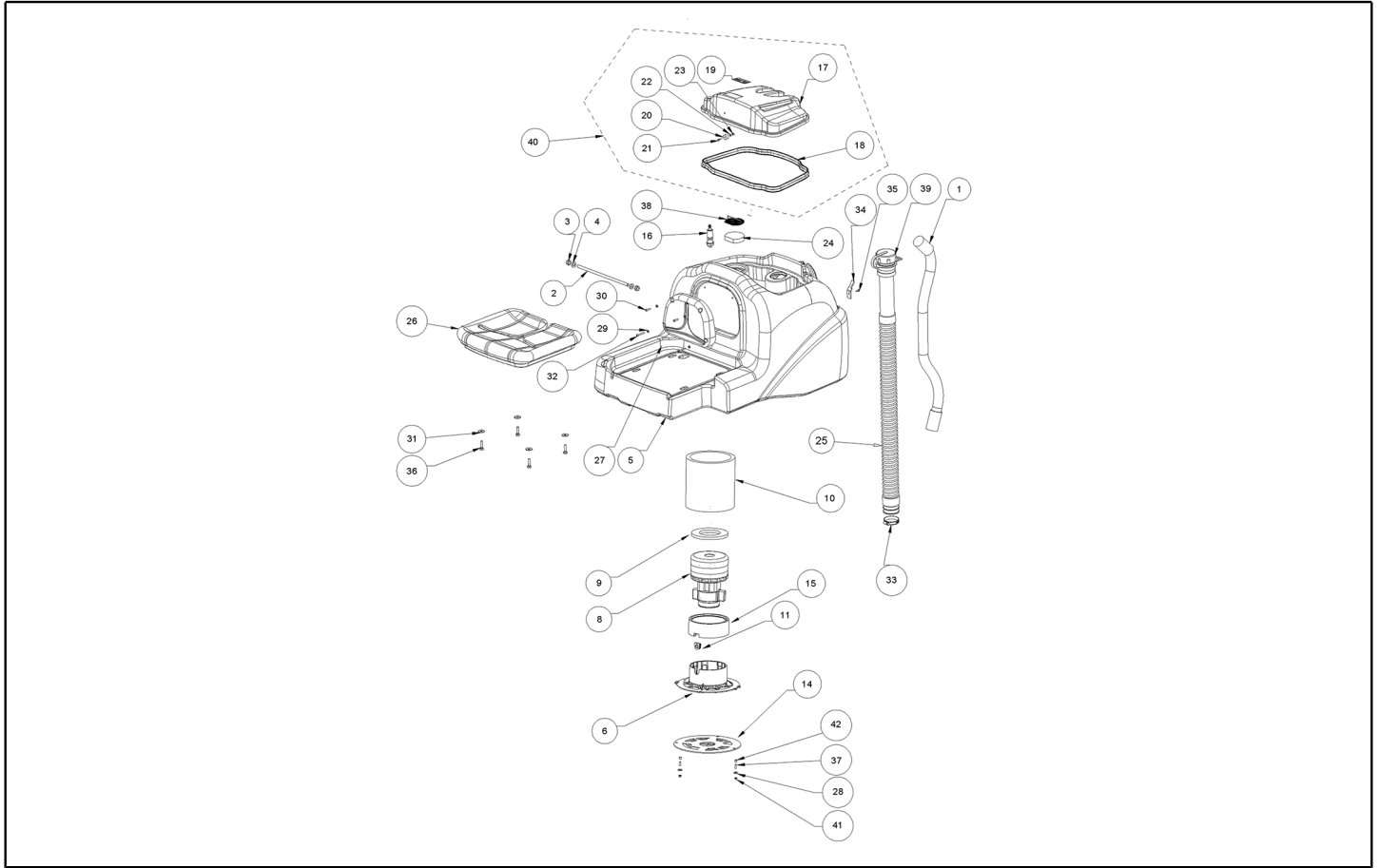
Ref. K	Part n.	Part n. 2	Description	Quantity	Validity		Price
					From	To	
0001	LAFN09292		FRAME -	1,00			--
0002	LAFN09373		UP STEERING -	1,00		13/04/2017	--
0002	LAFN11171		UP STEERING CT80	1,00	14/04/2017		--
0003	CUVR75816		BEARING 51112	1,00			--
0004	CUVR00094		BEARING 32004 TIPO SKF	1,00			--
0005	LAFN09293		PLATE -	1,00			--
0006	MOCC00433		MOTOR ELECTRICAL 24V 300W	1,00			--
0007	RTRT00547		WHEEL D.225x65 PU	2,00			--
0008	VTAE06193		CIRCLIP D. 20 UNI 7435	2,00			--
0009	VTRS15524		WASHER D.10	2,00			--
0010	VTRS15909		WASHER D.10	2,00			--
0011	VTVT03640		SCREW TE 10X25 UNI5740	2,00			--
0012	VTVT00790		SCREW TSPEI M8X16	4,00			--
0013	CUVR00105		BEARING SB204KDF+PFL204PTN	1,00			--
0014	VTRS13947		WASHER D. 8 INX UNI 6592	2,00			--
0015	VTRS15146		WASHER GROVER A2 UNI1751	2,00			--
0016	VTVT15916		SCREW TE M 8X 16 UNI 5739 A2	2,00			--
0017	LAFN09294		SHAFT -	1,00			--
0018	LAFN06377		PINION STEERING	1,00			--
0019	VTRS16937		WASHER 6x24 INOX UNI 6593	1,00			--
0020	VTRS15144		WASHER D. 6 INX GRW UNI 1751	1,00			--
0021	VTVT15143		SCREW TE 6X16 UNI5739	1,00			--
0022	VTDD01695		NUT M 8 INX	4,00			--
0023	VTVT13938		SCREW TE 8X20 UNI5739 INX	4,00			--
0024	VTVR00057		ARTICULATION STEERING	1,00			--
0025	LAFN75841		BUSHING CENTR.PIGNONE RUOTA ANT.	2,00			--
0026	ALTR00097		SHAFT STEERING CT80	1,00			--
0027	MPVR47027		STEERING WHEEL D.320 SENZA POMELLO	1,00			--
0028	VTRS44254		WASHER UNI 6593 10X40X2,5 ZB	1,00			--
0029	VTVT00455		SCREW TE 10X20 UNI5739	1,00			--
0030	LAFN08158		SPACER -	1,00			--
0031	VTVT01677		SCREW TE M 8X100	1,00			--
0032	VTRS00019		WASHER UNI 6592 FORO 20 INOX	1,00			--
0033	LAFN08156		SHEET METAL PA. -	1,00			--
0034	LAFN09231		BRACKET M6X11X29	1,00			--
0035	VTDD15520		NUT M 6 A2 UNI 5588 INX	2,00			--
0036	VTRS00245		WASHER D.6 UNI 6592 INOX	2,00			--
0037	VTDD01694		NUT M6 INOX	2,00			--
0038	VTVT13939		SCREW TE 6X20 UNI5739 INX	1,00			--
0039	LAFN06844		SPACER CORONA	5,00			--
0040	VTVT25909		SCREW M 6X 25 TSPEI UNI 5933	5,00			--
0041	MPVR51068		PROTECTOR STEERING	0,50			--
0042	MLML34767		SPRING D.10.2 X20	1,00			--
0043	VTDD00524		NUT M20x1,5 UNI 5589	2,00			--



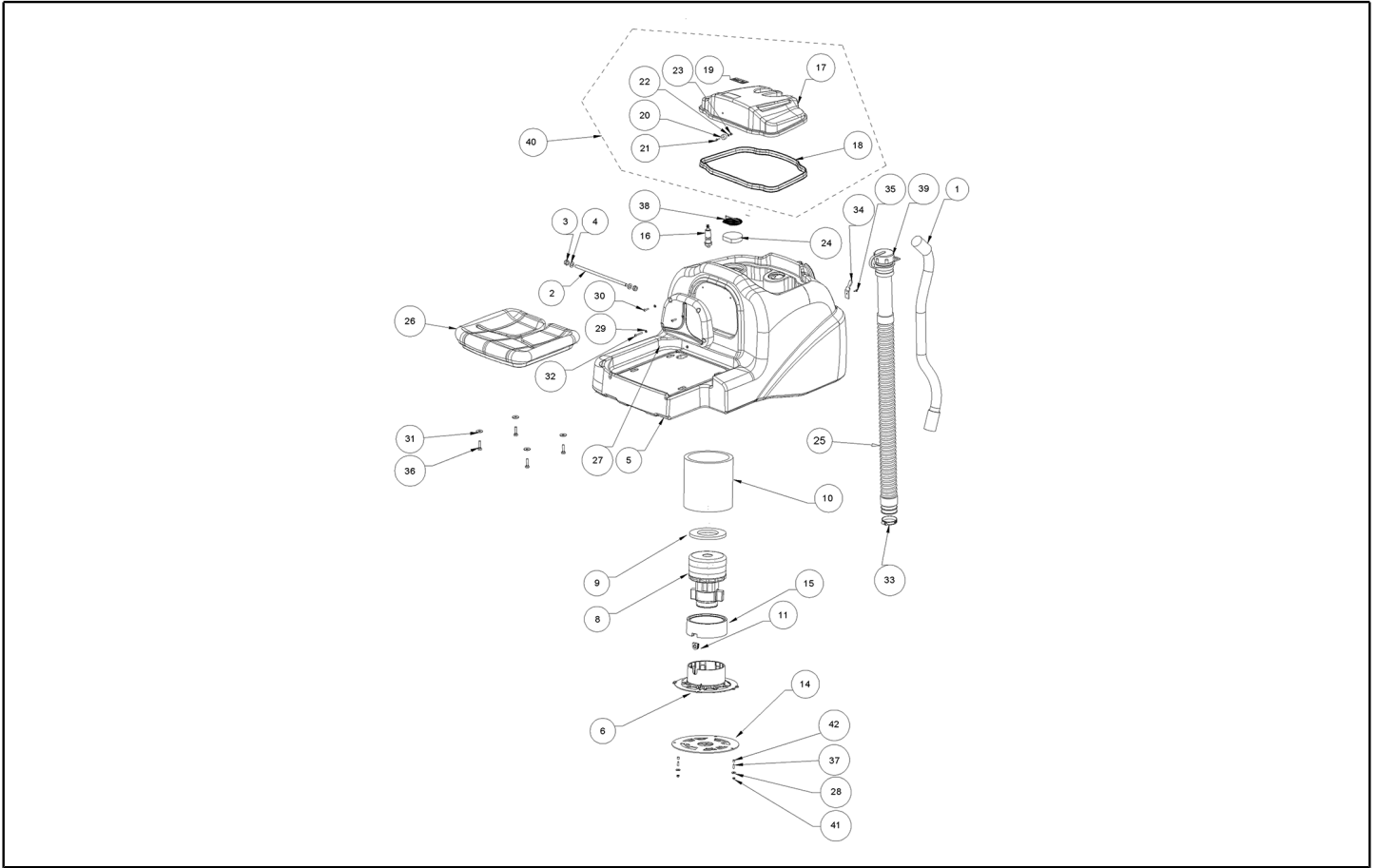
Ref. K	Part n.	Part n. 2	Description	Quantity	Validity		Price
					From	To	
0044	LAFN09320		PIN -	1,00			--
0045	MOCC00424		ACTUATOR SQUEEGEE CT80	1,00			--
0046	LAFN09407		SPACER -	1,00			--
0047	LAFN09406		SUPPORT SQUEEGEE CT80	1,00		21/09/2015	--
0047	LAFN08233		SUPPORT CT80	1,00	22/09/2015		--
0048	VTRS13947		WASHER D. 8 INX UNI 6592	1,00			--
0049	VTDD01695		NUT M 8 INX	1,00			--
0050	VTVT00307		SCREW TCEI M10X30	1,00			--
0051	VTDD15519		NUT M10 INOX	1,00			--
0052	LAFN09409		RING GEAR STEERING	1,00			--
0053	MPVR05951		CAP G48 FOR WHEEL	2,00			--



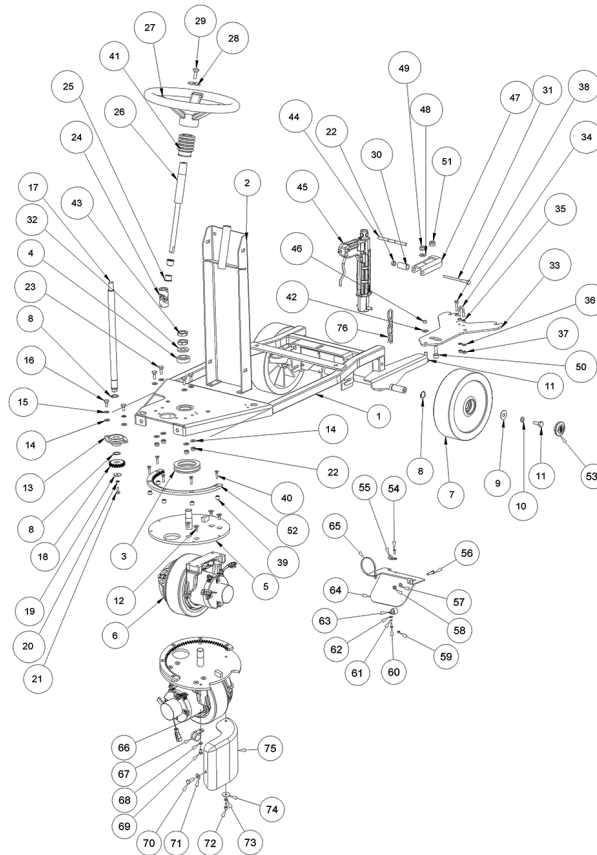
Ref. K	Part n.	Part n. 2	Description	Quantity	Validity		Price
					From	To	
0001	MPVR06463		COVER ELECTROBRAKE CT80	1,00			--
0002	MEVR01757		BRAKE TRACTION MOTORWHEEL CT80	1,00			--
0003	KTRI02294		KIT CARBONS SUPPORT CT80	1,00			--
0004	RTRT00552		WHEEL PU FOR TRACTION CT80	1,00			--
0005	MPVR06464		COVER MOTORWHEEL CT80	1,00			--
0006	VTVT01552		SCREW .	6,00			--
0007	VTVT01551		SCREW .	3,00			--
0008	MEVR34441		BRUSH CARBON CC7X14X19 200/400W	4,00			--
0009	MEVR02387		SENSOR THERMAL MOCC00433	1,00			--
0010	CUVR00220		BEARING TRACTION MOTORWHEEL CT80	1,00			--



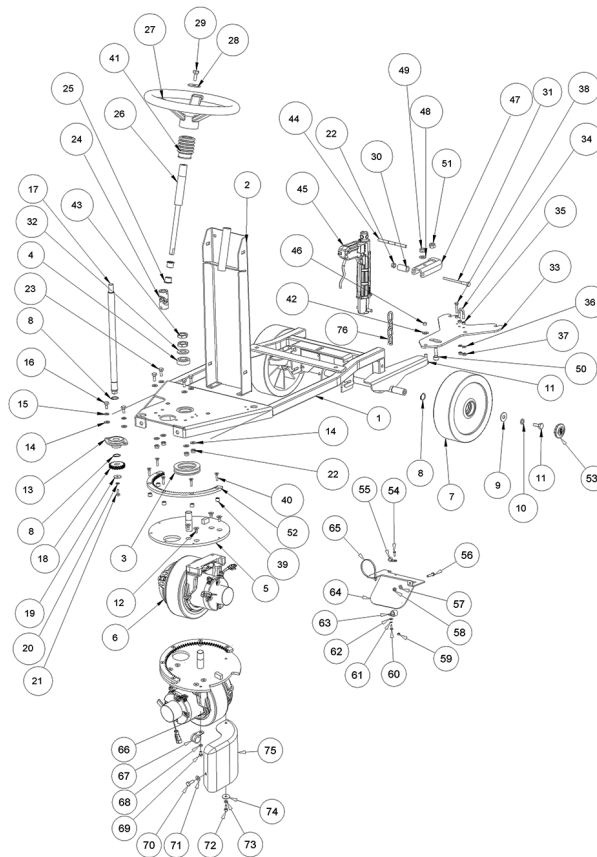
Ref. K	Part n.	Part n. 2	Description	Quantity	Validity		Price
					From	To	
0001	KTRI04702		KIT REPLACEMENT TBBP00512	1,00			--
0002	LAFN09389		PIN -	1,00			--
0003	VTDD10310		NUT AUTOBL.M10 INOX DIN 985	2,00			--
0004	VTRS15523		WASHER D.10 X21 INOX UNI 6592	2,00			--
0005	MPVR07116		TANK RECOVERY CT80 GREEN	1,00			--
0006	MPVR10730		BAFFLE -	1,00		26/11/2023	--
0006	MPVR13524		BAFFLE .	1,00	27/11/2023		--
0008	MOCC00342		VACUUM 24V	1,00			--
0008	MEVR05200		CARBON BRUSH VACUUM 116599-XX	2,00			--
0009	GUGO00497		GASKET Ø140XØ80X10	1,00			--
0010	ITSO00105		INSULATOR -	1,00			--
0011	GUGO00496		FAIR-LEAD 14-747	1,00		31/08/2023	--
0014	LAFN11070		FLANGE -	1,00			--
0015	GUGO00466		GASKET RUBBER VACUUM MOT. CT51	1,00		31/08/2023	--
0015	GUGO00733		GASKET -	1,00	01/09/2023		--
0016	MECI00533		SENSOR VS303-51N	1,00			--
0017	MPVR07118		COVER -	1,00			--
0018	GUGO00322		GASKET CT80 TANK LID	1,00			--
0019	ETET01824		LABEL -	1,00			--
0020	MPVR06400		CAP -	1,00			--
0021	VTVT00056		SCREW TSCE 4X12 ACCIAIO INOX	1,00			--
0022	VTRS00515		WASHER D. 4 INX	1,00			--
0023	VTDD00055		NUT M 4 ATB A2	1,00			--
0024	FTDP00232		FILTER VACUUM MOT. CT80	1,00			--
0025	TBBP00513		HOSE DRAIN RECOVERY TANK CT80	1,00			--
0026	SESD86493		DISTRIBUTOR 60	1,00		17/07/2018	--
0026	SESD86494		SEAT SENSOR REED CT80	1,00	18/07/2018		--
0027	MPVR07132		BACKREST CT80	1,00			--
0028	VTRS13750		WASHER D. 5X14 INX	3,00			--
0029	VTRS00516		WASHER D. 5 INX	4,00			--
0030	VTVT00852		SCREW TBEI M 5X 20 ISO 7380 IX	2,00			--
0031	VTRS13946		WASHER D. 8 X24 INX UNI 6593	4,00			--
0032	VTVT01207		SCREW TBEI 5X35	2,00			--
0033	FSVR00033		CLAMP 45-60	1,00			--
0034	LAFN09400		HOOK DRAIN HOSE CT80	1,00			--
0035	VTVT21096		SCREW TE M 4X 10 INX	1,00			--
0036	VTVT13937		SCREW TE M 8X 30 INX UNI 5739	4,00			--
0037	VTVT07725		SCREW TE 5X16 UNI5739 INX	3,00		23/07/2020	--
0037	VTVT00916			3,00	24/07/2020	02/07/2021	--
0037	VTVT07725		SCREW TE 5X16 UNI5739 INX	3,00	03/07/2021		--
0038	LAFN09353		MESH -	1,00			--
0039	KTRI01980		KIT CAP DRAIN HOSE	1,00			--
0040	KTRI05032		KIT REC. TANK LID CT80	1,00			--
0041	VTDD01693		NUT M 5 INX	3,00	24/07/2020	02/07/2021	--



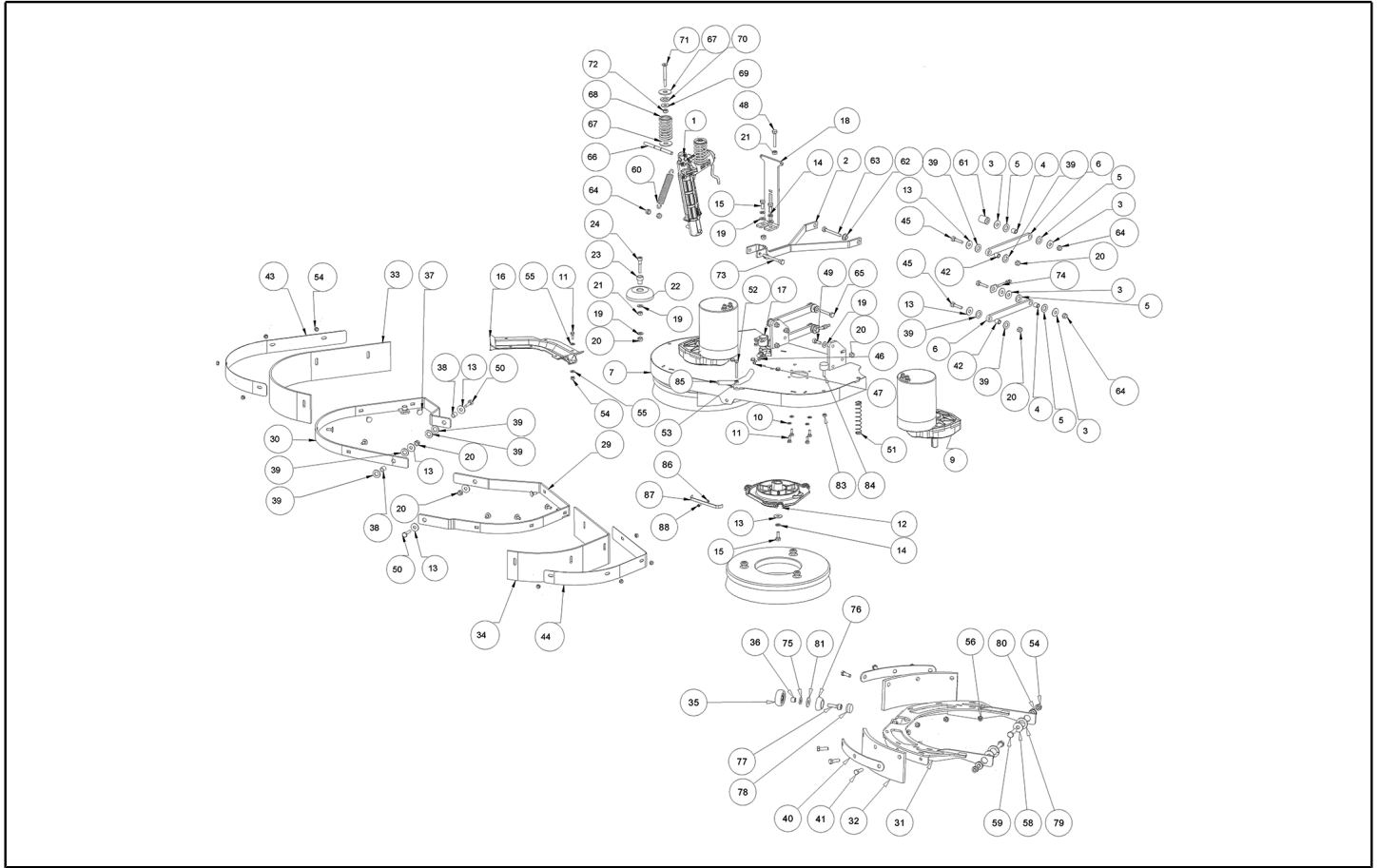
Ref. K	Part n.	Part n. 2	Description	Quantity	Validity		Price
					From	To	
0042	LAFN03626		SPACER	3,00	24/07/2020		--



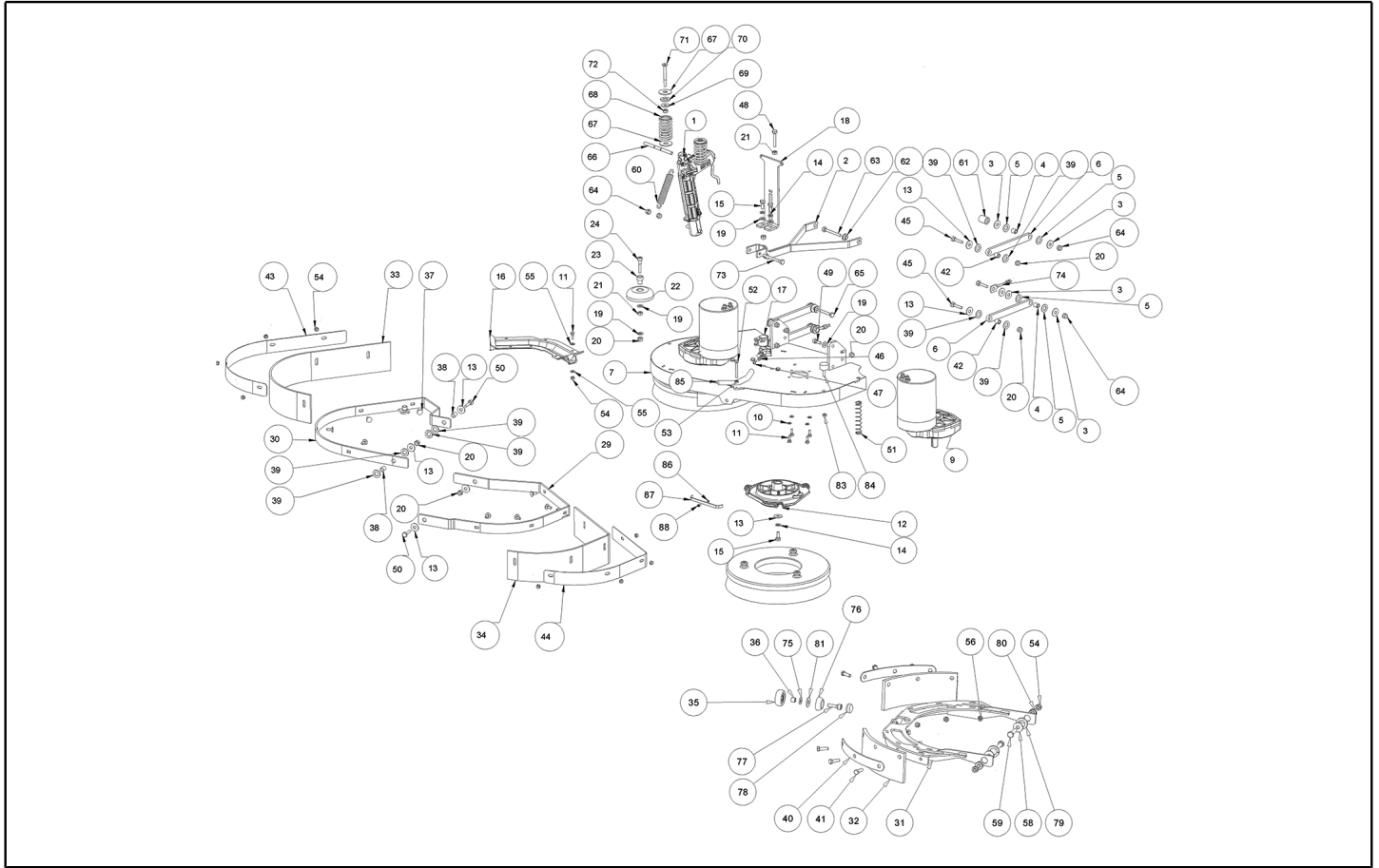
Ref. K	Part n.	Part n. 2	Description	Quantity	Validity		Price
					From	To	
0001	LAFN09292		FRAME -	1,00			--
0002	LAFN11171		UP STEERING CT80	1,00			--
0003	CUVR75816		BEARING 51112	1,00			--
0004	CUVR00094		BEARING 32004 TIPO SKF	1,00			--
0005	LAFN09293		PLATE -	1,00			--
0006	MOCC00433		MOTOR ELECTRICAL 24V 300W	1,00			--
0007	RTRT00547		WHEEL D.225x65 PU	2,00			--
0008	VTAE06193		CIRCLIP D. 20 UNI 7435	2,00			--
0009	VTRS15524		WASHER D.10	2,00			--
0010	VTRS15909		WASHER D.10	2,00			--
0011	VTVT03640		SCREW TE 10X25 UNI5740	2,00			--
0012	VTVT00790		SCREW TSPEI M8X16	4,00			--
0013	CUVR00105		BEARING SB204KDF+PFL204PTN	1,00			--
0014	VTRS13947		WASHER D. 8 INX UNI 6592	2,00			--
0015	VTRS15146		WASHER GROVER A2 UNI1751	2,00			--
0016	VTVT15916		SCREW TE M 8X 16 UNI 5739 A2	2,00			--
0017	LAFN09294		SHAFT -	1,00			--
0018	LAFN06377		PINION STEERING	1,00			--
0019	VTRS16937		WASHER 6x24 INOX UNI 6593	1,00			--
0020	VTRS15144		WASHER D. 6 INX GRW UNI 1751	1,00			--
0021	VTVT15143		SCREW TE 6X16 UNI5739	1,00			--
0022	VTDD01695		NUT M 8 INX	4,00			--
0023	VTVT13938		SCREW TE 8X20 UNI5739 INX	4,00			--
0024	VTVR00057		ARTICULATION STEERING	1,00			--
0025	LAFN75841		BUSHING CENTR.PIGNONE RUOTA ANT.	2,00			--
0026	ALTR00097		SHAFT STEERING CT80	1,00			--
0027	MPVR47027		STEERING WHEEL D.320 SENZA POMELLO	1,00			--
0028	VTRS44254		WASHER UNI 6593 10X40X2,5 ZB	1,00			--
0029	VTVT00455		SCREW TE 10X20 UNI5739	1,00			--
0030	LAFN08158		SPACER -	1,00			--
0031	VTVT01677		SCREW TE M 8X100	1,00			--
0032	VTRS00019		WASHER UNI 6592 FORO 20 INOX	1,00			--
0033	LAFN08156		SHEET METAL PA. -	1,00			--
0034	LAFN09231		BRACKET M6X11X29	1,00			--
0035	VTDD15520		NUT M 6 A2 UNI 5588 INX	2,00			--
0036	VTRS00245		WASHER D.6 UNI 6592 INOX	2,00			--
0037	VTDD01694		NUT M6 INOX	2,00			--
0038	VTVT13939		SCREW TE 6X20 UNI5739 INX	1,00			--
0039	LAFN06844		SPACER CORONA	5,00			--
0040	VTVT25909		SCREW M 6X 25 TSPEI UNI 5933	5,00			--
0041	MPVR51068		PROTECTOR STEERING	0,50			--
0042	MLML34767		SPRING D.10.2 X20	1,00			--
0043	VTDD00524		NUT M20x1,5 UNI 5589	2,00			--
0044	LAFN09320		PIN -	1,00			--



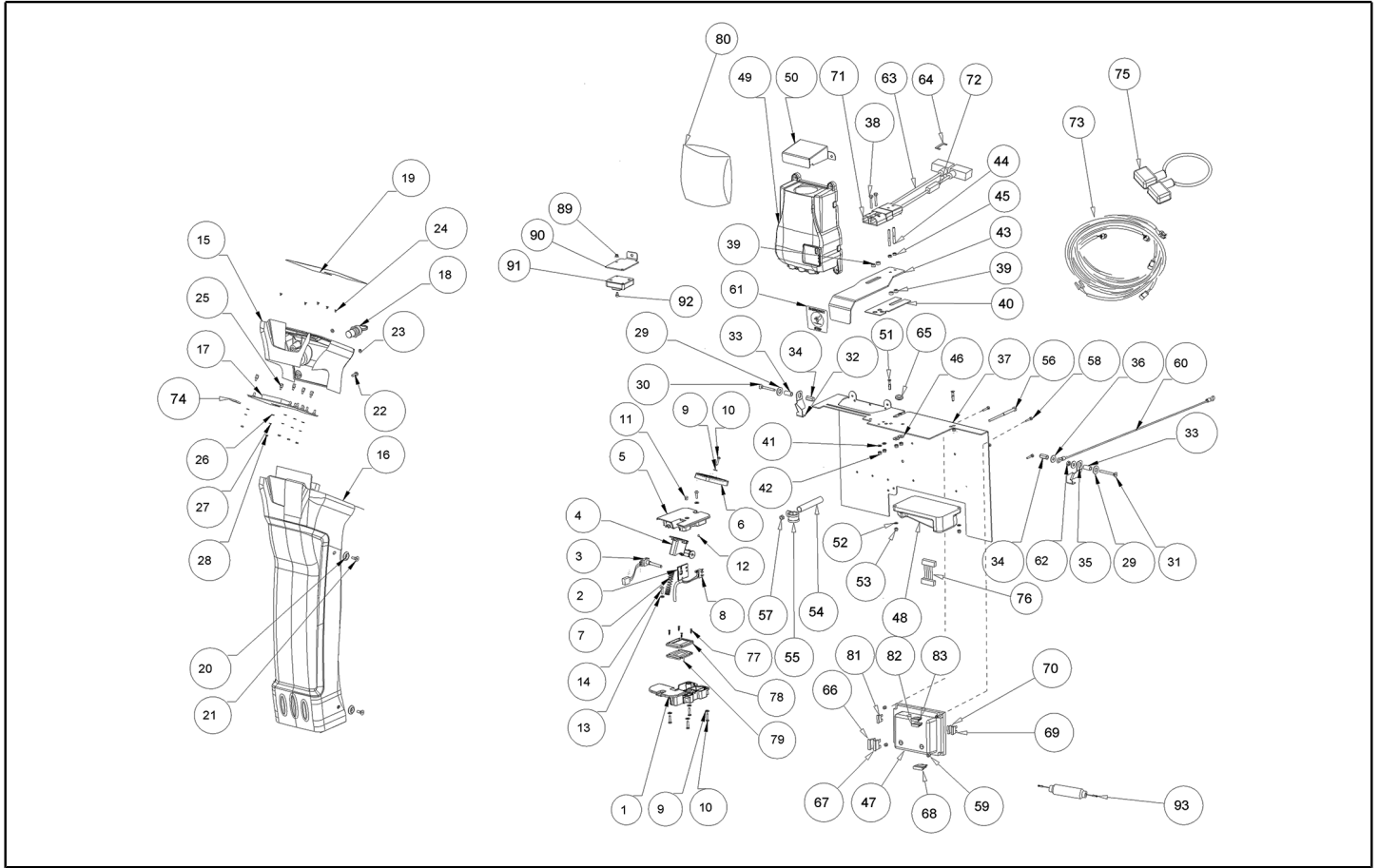
Ref. K	Part n.	Part n. 2	Description	Quantity	Validity		Price
					From	To	
0045	MOCC00424		ACTUATOR SQUEEGEE CT80	1,00			--
0046	LAFN09407		SPACER -	1,00			--
0047	LAFN08233		SUPPORT CT80	1,00			--
0048	VTRS13947		WASHER D. 8 INX UNI 6592	1,00			--
0049	VTDD01695		NUT M 8 INX	1,00			--
0050	VTVT00307		SCREW TCEI M10X30	1,00			--
0051	VTDD15519		NUT M10 INOX	1,00			--
0052	LAFN09409		RING GEAR STEERING	1,00			--
0053	MPVR05951		CAP G48 FOR WHEEL	2,00			--
0054	VTVT00817		SCREW TE M4x12 UNI 5739 INOX	1,00			--
0055	MPVR02933		DUCT LOCK D.9,5	1,00			--
0056	VTVT15141		SCREW TE M 6X 25 UNI 5739 INX	1,00			--
0057	VTRS00245		WASHER D.6 UNI 6592 INOX	1,00			--
0058	VTDD01700		NUT M6 INOX+ZIN.	1,00			--
0059	VTDD00055		NUT M 4 ATB A2	1,00			--
0060	VTVT01158		SCREW M4x16	1,00			--
0061	VTRS15913		WASHER D. 4 GROVER A2 UNI1751	1,00			--
0062	VTRS00017		WASHER STEEL INOX 4X12	1,00			--
0063	FSVR00099		CLAMP FERMATUBO	1,00			--
0064	MPVR12940		GUIDE .	1,00			--
0065	FSVR00049		CLAMP 4,5x200 black	1,00			--
0066	MEVR00686		FAIR-LEAD DIAMETER 15.5	1,00			--
0067	MEVR02096		FAIR-LEAD D.22 F.8,5 Inox430.	1,00			--
0068	VTRS15144		WASHER D. 6 INX GRW UNI 1751	1,00			--
0069	VTVT15906		SCREW TE 6X 12 A2 UNI 5739	1,00			--
0070	VTVT13938		SCREW TE 8X20 UNI5739 INX	1,00			--
0071	VTRS13947		WASHER D. 8 INX UNI 6592	1,00			--
0072	VTVT00717		SCREW TCEI M. 6-16	1,00			--
0073	VTRS15144		WASHER D. 6 INX GRW UNI 1751	1,00			--
0074	VTRS16937		WASHER 6x24 INOX UNI 6593	1,00			--
0075	MPVR12936		CRANKCASE .	1,00			--
0076	MTCR00116		SMALL CHAIN .	1,00			--



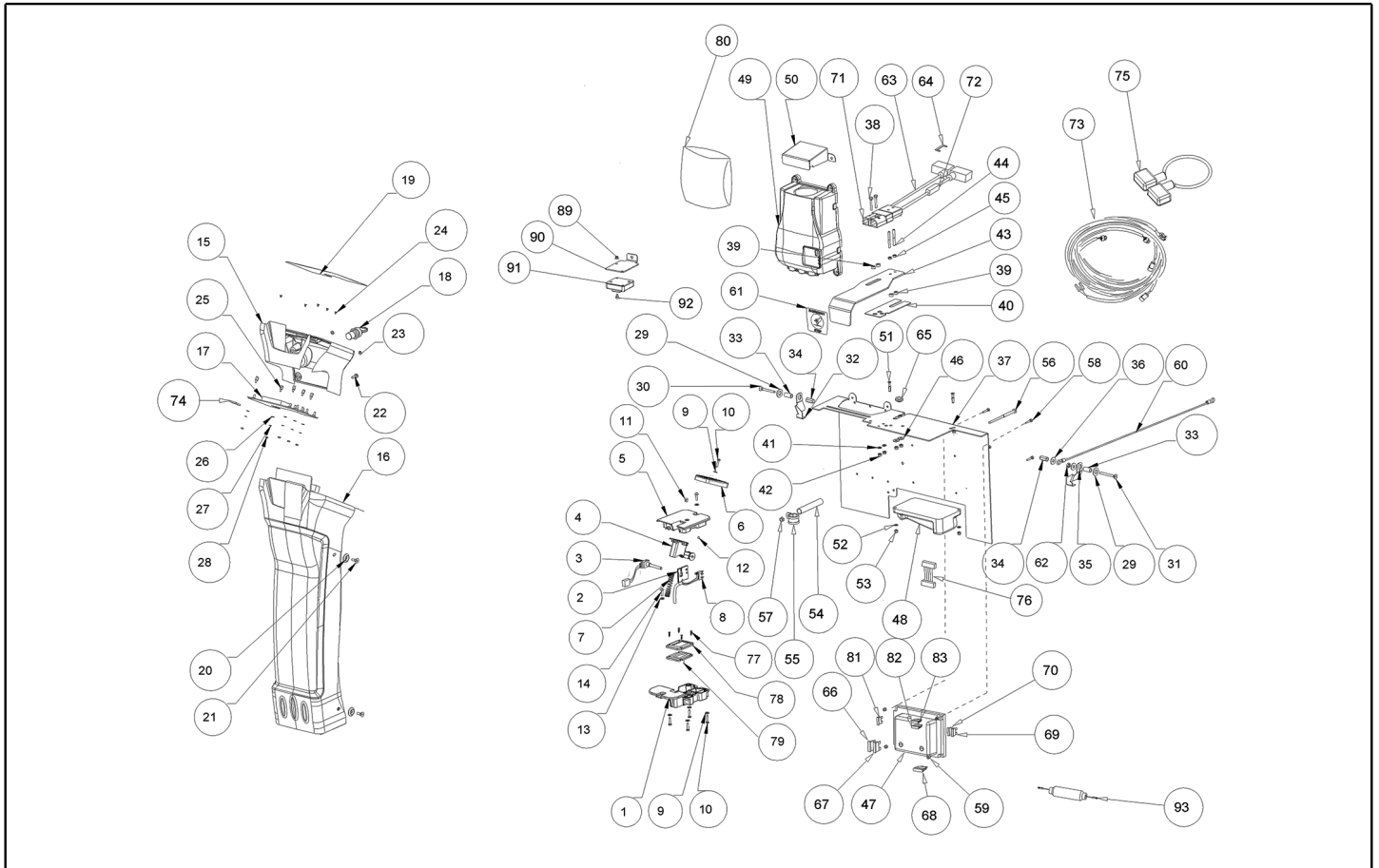
Ref. K	Part n.	Part n. 2	Description	Quantity	Validity		Price
					From	To	
0001	MOCC00423		ACTUATOR BRUSH HEAD CT80	1,00			--
0002	LAFN09305		BRACKET ACTUATOR 2BR. VERSION	1,00			--
0003	VTRS13946		WASHER D. 8 X24 INX UNI 6593	4,00			--
0004	LAFN04151		BUSHING X PARALLELOGRAMMA	2,00			--
0005	VTRS43258		WASHER D.13X24 X2.5 NYL UNI6592	4,00			--
0006	LAFN09298		BRACKET BRUSH HEAD CT80	4,00			--
0007	LAFN09307		HEAD BRUSH 60CM	1,00			--
0009	MOCC00437		MOTOR.GEARBOX 24V 400W CT80	2,00			--
0009	MEVR02896		ROTOR FOR MOTOR MOCC00437	1,00			--
0009	MOCC00344		CARBON BRUSH 00701535	1,00			--
0009	RDGR00043		REDUCTION UNIT -	1,00			--
0010	VTRS15144		WASHER D. 6 INX GRW UNI 1751	8,00			--
0011	VTVT15143		SCREW TE 6X16 UNI5739	14,00			--
0012	MFVR00212		DRIVE DISK ALUMINIUM	2,00		16/09/2020	--
0012	MFVR00301		DRIVE DISK CT51-71 BT/XP 60	2,00	17/09/2020		--
0013	VTRS13946		WASHER D. 8 X24 INX UNI 6593	10,00			--
0014	VTRS15146		WASHER GROVER A2 UNI1751	4,00			--
0015	VTVT13938		SCREW TE 8X20 UNI5739 INX	2,00			--
0016	MPVR07146		CONVEYOR -	1,00			--
0017	MEEV00036		SOLENOID VALVE HOLE 8mm CLEANTIME	1,00			--
0018	LAFN09303		BRACKET -	1,00			--
0019	VTRS13947		WASHER D. 8 INX UNI 6592	6,00			--
0020	VTDD01695		NUT M 8 INX	10,00			--
0021	VTDD15521		NUT M 8 INX A2 UNI 5588	2,00			--
0022	MPVR06105		WHEEL BUMPER D.80 H=22	1,00			--
0023	LAFN03915		BUSHING NUOVO RUOTINO STRONG	1,00			--
0024	VTVT06241		SCREW 8X40	1,00			--
0029	LAFN09318		SUPPORT FLAP L.H. SIDE BT60	1,00			--
0030	LAFN09317		SUPPORT FLAP R.H. SIDE BT60	1,00			--
0031	LAFN11044		BRACKET CENTERING FLAP BT60	2,00			--
0032	MPVR07113		FLAP -	4,00			--
0033	MPVR07110		FLAP R.H. SIDE 80BT60	1,00			--
0034	MPVR07111		FLAP L.H. SIDE 80BT60	1,00			--
0035	CUVR00184		BEARING RS608 2RS1 PU-COATED	2,00			--
0036	LAFN03840		BUSHING	2,00			--
0037	VTVT01208		SCREW TBEI 5X35	8,00			--
0038	LAFN08907		SPACER 12-8	2,00			--
0039	VTRS43258		WASHER D.13X24 X2.5 NYL UNI6592	8,00			--
0040	LAFN09295		SHEET METAL PA. -	4,00			--
0041	VTVT07725		SCREW TE 5X16 UNI5739 INX	12,00			--
0042	LAFN04151		BUSHING X PARALLELOGRAMMA	2,00			--
0043	LAFN09396		BRACKET -	1,00			--
0044	LAFN09397		BRACKET -	1,00			--
0045	VTVT00410		SCREW TE M8x35 UNI5739 INOX	2,00			--



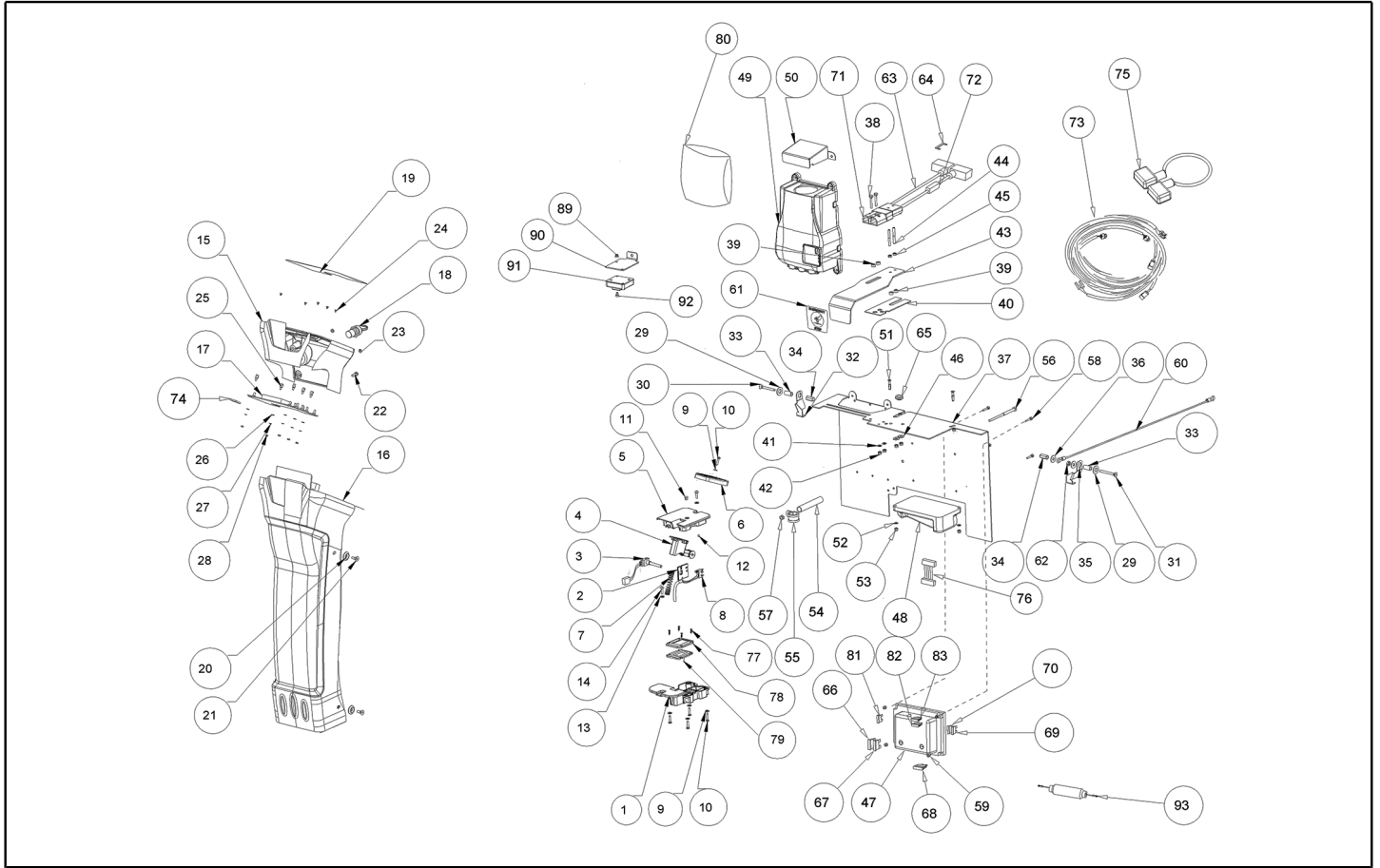
Ref. K	Part n.	Part n. 2	Description	Quantity	Validity		Price
					From	To	
0046	VTRS00515		WASHER D. 4 INX	2,00			--
0047	VTVT01158		SCREW M4x16	2,00			--
0048	VTVT15371		SCREW TE M 8X45 INOX A2 UNI	1,00			--
0049	VTVT13944		SCREW TCEI M 8X20 UNI 5931 INX	2,00			--
0050	VTVT01050		SCREW TE M 8X30 INX UNI 5737	2,00			--
0051	MLML00345		SPRING -	2,00			--
0052	VTVT15515		SCREW TE M 6X 50 INOX A2	2,00			--
0053	VTDD00053		NUT M6 INOX UNI5589	2,00			--
0054	VTDD01694		NUT M6 INOX	18,00			--
0055	VTRS00245		WASHER D.6 UNI 6592 INOX	12,00			--
0056	VTDD01693		NUT M 5 INX	12,00			--
0058	VTRS13945		WASHER D. 6X18 INX UNI 6593	4,00			--
0059	VTVT15141		SCREW TE M 6X 25 UNI 5739 INX	2,00			--
0060	MLML00347		SPRING BRUSH HEAD CT80	1,00			--
0061	LAFN09327		SPACER -	1,00			--
0062	LAFN06391		BUSHING BRUSH DECK SUPPORT	2,00			--
0063	VTVT00757		SCREW	1,00			--
0064	VTDD15521		NUT M 8 INX A2 UNI 5588	2,00			--
0065	VTVT00708		SCREW TE M. 8-40	1,00			--
0066	LAFN09320		PIN -	2,00			--
0067	VTRS09142		WASHER UNI 6593 12X36X2,5	4,00			--
0068	MLML00324		SPRING -	2,00			--
0069	VTRS13946		WASHER D. 8 X24 INX UNI 6593	2,00			--
0070	VTRS00250		WASHER D.14	2,00			--
0071	VTVT00300		SCREW TSPEI M8x70 UNI5933	2,00			--
0072	VTDD15521		NUT M 8 INX A2 UNI 5588	2,00			--
0073	VTVT00769		SCREW M8x70 A2 UNI5737	1,00			--
0074	LAFN47168		BELT-STRETCHER ALTERNATORE TK1400	2,00			--
0075	VTRS00245		WASHER D.6 UNI 6592 INOX	2,00			--
0076	MPVR06440		COVER -	2,00			--
0077	VTVT00428		SCREW TCEI 6X20 UNI5931 INX	2,00			--
0078	MPVR06441		COVER -	2,00			--
0079	VTRS15919		WASHER D.12 GROVER UNI 1751 INX	4,00			--
0080	LAFN11045		BUSHING -	4,00			--
0081	VTRS13945		WASHER D. 6X18 INX UNI 6593	2,00			--
0083	VTDD13942		NUT M 6 UNI 5587 INX	1,00	27/01/2015		--
0084	MPVR75799		FOOT 20X9 M6X18	1,00	27/01/2015		--
0085	TBFX48011		HOSE FLEX D.12X3 ARMORV.PVC TR	0,60			--
0086	VTRS15913		WASHER D. 4 GROVER A2 UNI1751	2,00			--
0087	MLML00328		SPRING RETAINING, BRUSH DRIVER	2,00		16/09/2020	--
0087	MLML00478		SPRING -	2,00	17/09/2020		--
0088	VTVT21887		SCREW TCB-TC 4X10 8112	2,00			--



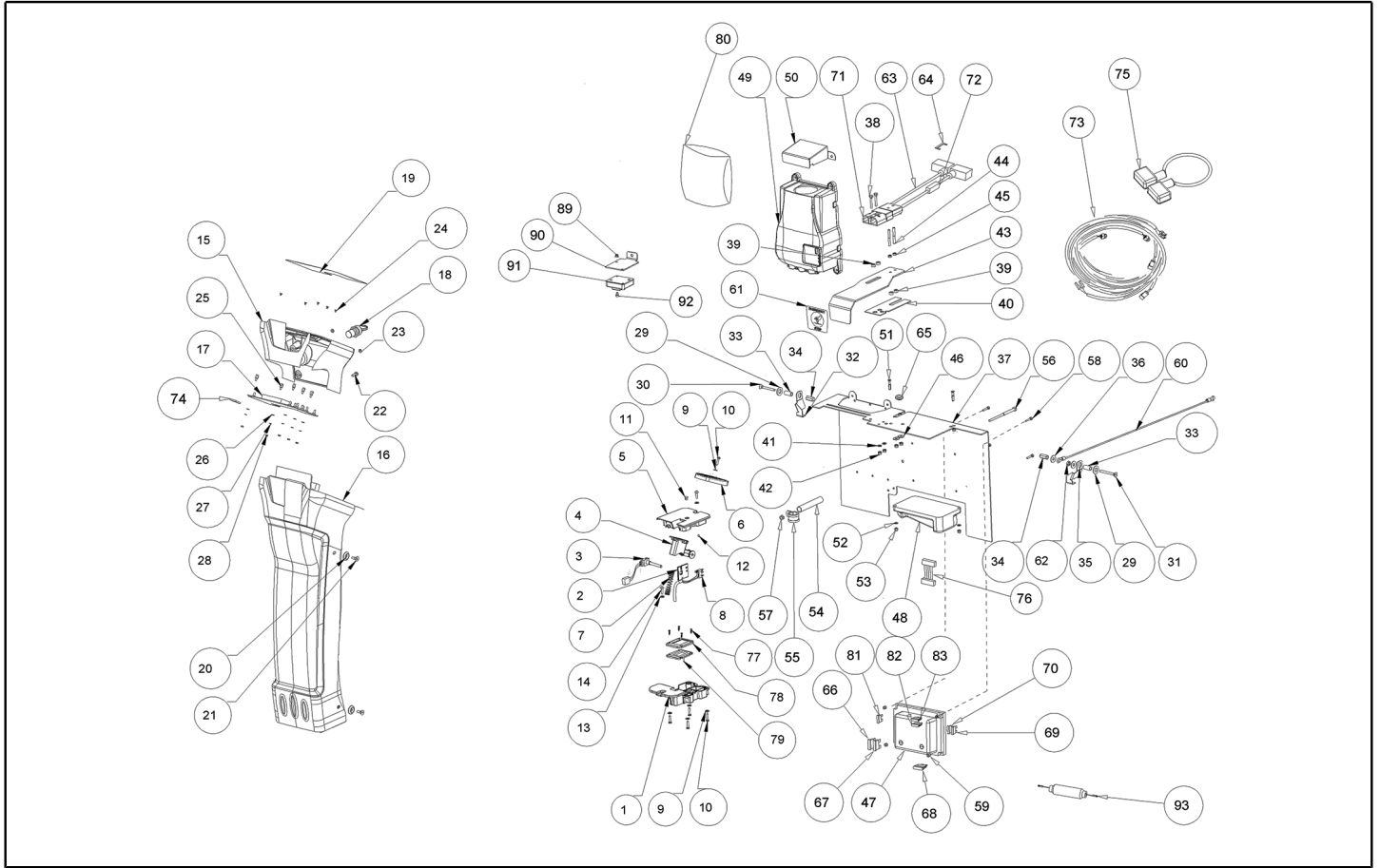
Ref. K	Part n.	Part n. 2	Description	Quantity	Validity		Price
					From	To	
0001	MPVR11937		BASE CT80 ACCELERATOR	1,00			--
0002	S MPVR07122		PLATE -	1,00			--
0003	S MEVR01755		POTENTIOMETER PEDAL CT80	1,00			--
0004	MPVR11940		SUPPORT CT80 ACCELERATOR	1,00			--
0005	MPVR11938		COVER CT80 ACCELERATOR	1,00			--
0006	MPVR11939		PEDAL CT80 ACCELERATOR	1,00			--
0007	S MLML00476		SPRING -	1,00			--
0008	S MECI00414		MICROSWITCH PEDAL CT80	1,00			--
0009	VTRS00516		WASHER D. 5 INX	4,00			--
0010	VTVT48694		SCREW TCB TC 5 X12 UNI 9707 TZ	4,00			--
0011	RCVR00163		CAP D.6	1,00			--
0012	VTVT01703		GRUB SCREW M4X8	1,00			--
0013	VTRS00516		WASHER D. 5 INX	1,00			--
0014	VTVT45339		SCREW TBCE ISO 7380 5X16 ZB	1,00			--
0015	MPVR07124		INSTR.PANEL -	1,00			--
0016	MPVR07123		SIDE PANEL PANEL CT80 GREEN	1,00			--
0017	MECE00589		BOARD DISPLAY CT80	1,00			--
0018	MECI75805		SWITCH KEY FOR BATTERY MACHINES	1,00			--
0019	ETET01797		LABEL -	1,00			--
0020	VTVR41809		UND.SCREW FLAN. D. 6.5-22 H4.5 NYL.NERO	4,00			--
0021	VTVT00832		SCREW TSPEI M6X16 INOX	4,00			--
0022	VTVT00787		SCREW TBEI M 6-16	2,00			--
0023	VTRS13750		WASHER D. 5X14 INX	2,00			--
0024	VTVT01377		SCREW TSP-TC M 3X5 UNI7688 INX	5,00			--
0025	VTVR00576		SPACER M3	5,00			--
0027	VTRS21116		WASHER D. 3 INX	5,00			--
0028	VTDD00210		NUT M 3 AUTOBL.DIN 985 IX.A2	5,00			--
0029	VTRS15523		WASHER D.10 X21 INOX UNI 6592	2,00			--
0030	VTVT26818		SCREW M6x45 TSPEI UNI5933	1,00			--
0031	VTVT30247		SCREW TSPEI M 6X 50 UNI 5933	1,00			--
0032	LAFN09398		BRACKET -	1,00			--
0033	MPVR07165		SPACER -	2,00			--
0034	VTVR00556		RIVET -	2,00			--
0035	LAFN09399		BRACKET -	1,00			--
0036	VTRS00245		WASHER D.6 UNI 6592 INOX	3,00			--
0037	LAFN09322		SUPPORT ELECTRONICS+CHARGER	1,00			--
0038	VTVT00423		SCREW TE M 5X 30 UNI 5739	2,00			--
0039	MPVR07164		SPACER -	4,00			--
0040	MPVR07141		PLATE -	1,00			--
0041	VTRS00516		WASHER D. 5 INX	2,00			--
0042	VTDD01693		NUT M 5 INX	2,00			--
0043	LAFN09321		LEVER -	1,00			--
0044	LAFN09350		PIN -	2,00			--
0045	VTDD07727		NUT M 5 INOX	2,00			--



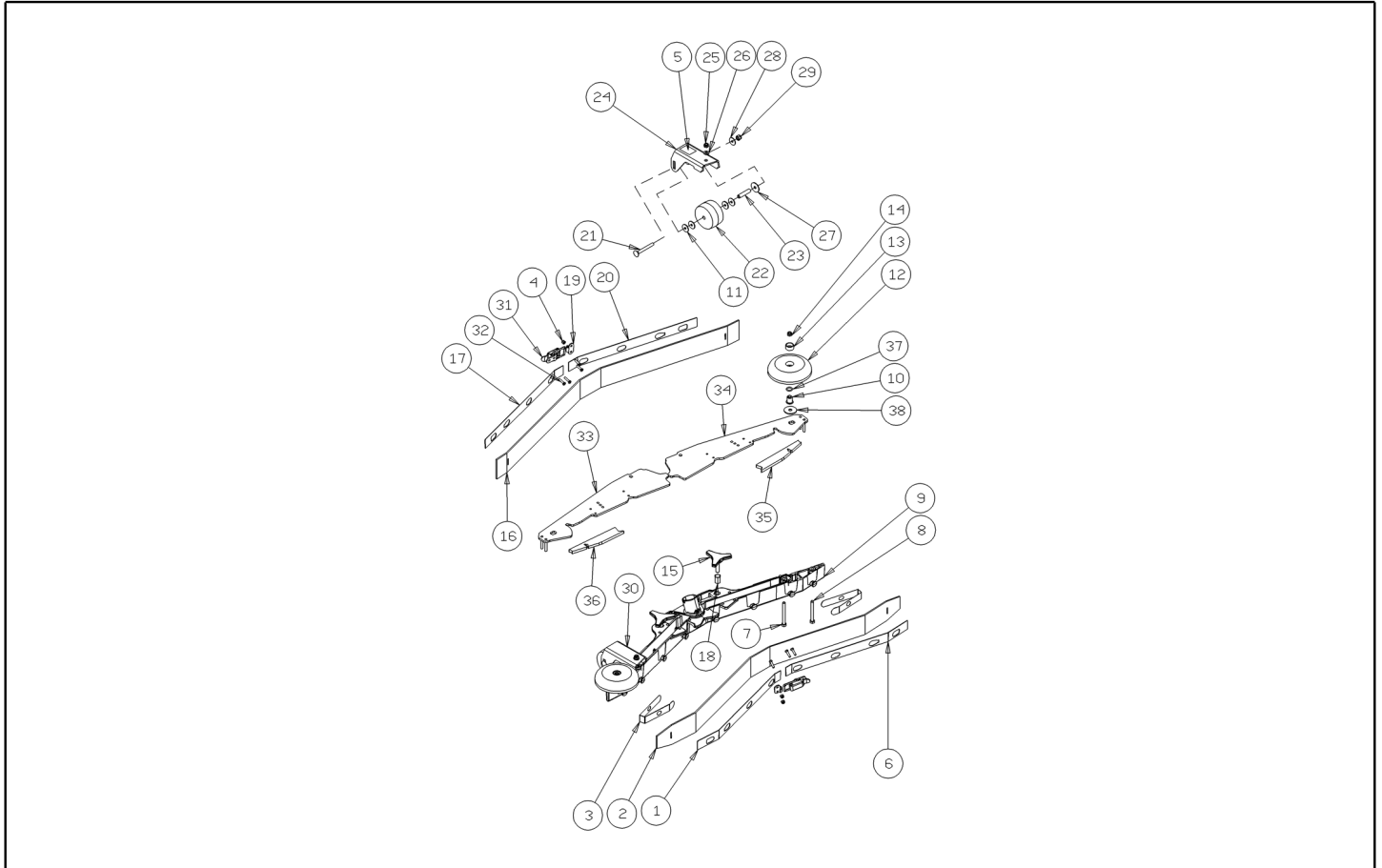
Ref. K	Part n.	Part n. 2	Description	Quantity	Validity		Price
					From	To	
0046	VTRS13750		WASHER D. 5X14 INX	2,00			--
0047	MECE00909		BOARD POWER CT80 MY2022	1,00		08/01/2024	--
0047	MECE00974		BOARD CT80 MY2023	1,00	09/01/2024		--
0048	MECE00907		BOARD CURTIS 1212S	1,00			--
0049	BACA00181		BATTERY-CHARGER CBHD3 OB CT80 24V 25A	1,00			--
0050	LAFN09325		DISTRIBUTOR 60	1,00			--
0051	VTVT00861		SCREW TSPEI 4X25	2,00			--
0052	VTRS00515		WASHER D. 4 INX	2,00			--
0053	VTDD00055		NUT M 4 ATB A2	2,00			--
0054	LAFN09323		HOSE -	1,00			--
0055	MEVR02096		FAIR-LEAD D.22 F.8,5 Inox430.	1,00			--
0056	VTVT00414		SCREW TE M6x100 UNI5739	1,00			--
0057	VTDD01694		NUT M6 INOX	1,00			--
0058	VTVT00704		SCREW TE M 4X 16 UNI5739 INOX	4,00			--
0059	VTDD15925		NUT M 4 INX+ZN	4,00			--
0060	CMCV00471		CABLE CT80	1,00			--
0061	ETET01825		LABEL -	1,00			--
0062	VTDD00053		NUT M6 INOX UNI5589	1,00			--
0063	KTRIO2290		CABLE BATTERY-ANDERSON+FUS.CT80	1,00		06/06/2023	--
0063	MECB02365		WIRING .	1,00	07/06/2023		--
0064	MEVR32087		FUSE 100A NST.	1,00			--
0065	MEVR00686		FAIR-LEAD DIAMETER 15.5	1,00			--
0066	MEVR00644		FUSE MAXIVAL 30A	1,00			--
0067	MEVR00644		FUSE MAXIVAL 30A	1,00			--
0068	MEVR00644		FUSE MAXIVAL 30A	1,00			--
0069	MEVR00584		FUSE 3A	1,00			--
0070	MEVR00584		FUSE 3A	1,00			--
0071	MEVR01621		PLUG ANDERSON SB120 RED	1,00			--
0072	MEVR31036		FUSE-HOLDER	1,00			--
0073	MECB02307		WIRING .	1,00			--
0074	MEVR02097		SD-CARD -	1,00			--
0075	MEVR34820		WIRING BATTERY BRIDGE W/TERMINAL	3,00			--
0076	MECB01362		WIRING INTERFACE CURTIS BOARD	1,00			--
0077	VTVT01594		SCREW VITE TSPC 3x12	4,00			--
0078	MPVR11928		GASKET BRAKE PEDAL CT80	1,00			--
0079	MPVR11933		GASKET CT80 ACCELERATOR	1,00			--
0080	MPVR02838		BAG CHARGER POWER CORD	1,00			--
0081	MEVR01132		FUSE A LAMA 5 A.	1,00			--
0082	MEVR00584		FUSE 3A	1,00			--
0083	MEVR00584		FUSE 3A	1,00			--
0089	VTDD00055		NUT M 4 ATB A2	2,00			--
0090	LAFN11766		SUPPORT .	1,00			--
0091	MECE00904		BOARD RELE'	1,00			--
0092	VTVT01556		SCREW TCEI M4X16 UNI5931 A2	2,00			--



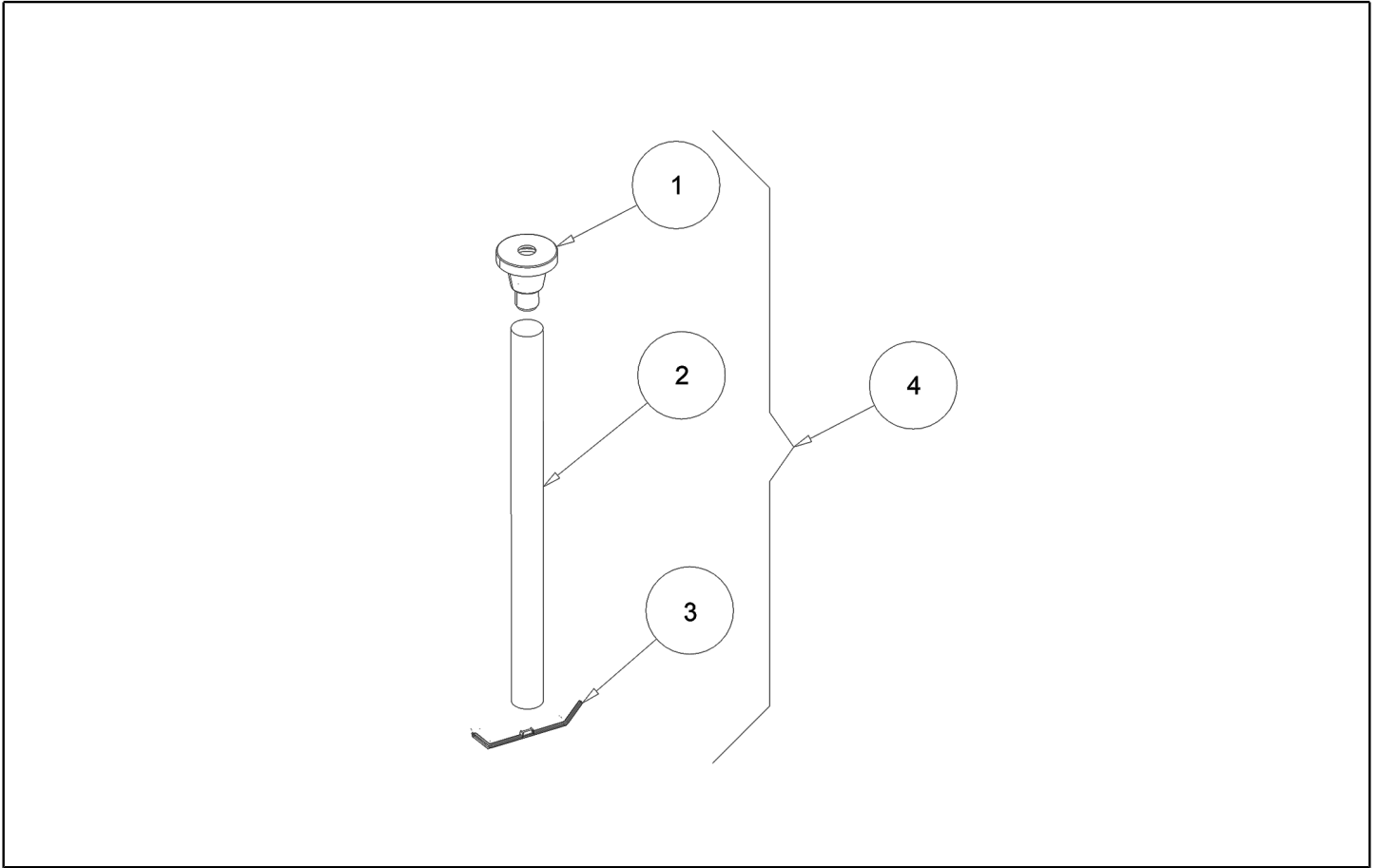
Ref. K	Part n.	Part n. 2	Description	Quantity	Validity		Price
					From	To	
0093	MECB01908		WIRING DIODE FILTER	1,00	24/09/2021	--	--



Ref. Part n.	Part n. 2	Description	Reference	Price
KTRI02313		KIT POWER BOARD CT80	0047	--
PMVR01531		ACCELERATOR COMPLETE CT80	0001 0002 0003 0004 0005 0006 0007 0008	--



Ref. K	Part n.	Part n. 2	Description	Quantity	Validity		Price
					From	To	
0001	LAFN09284		SHEET METAL PA. -	1,00			--
0002	MPVR08040		BLADE L LATEX	1,00			--
0003	MPVR05898		CLOSURE L	2,00			--
0004	VTDD00210		NUT M 3 AUTOBL.DIN 985 IX.A2	8,00			--
0005	ETET01817		LABEL -	2,00			--
0006	LAFN09285		BLADE RETAINER FRONT L.H.S. L	1,00			--
0007	VTVT00841		SCREW TE M 6X65 UNI 5739 INX	2,00			--
0008	VTVT00841		SCREW TE M 6X65 UNI 5739 INX	2,00			--
0009	MFVR00217		BODY -	1,00			--
0010	LAFN04100		SPACER FOR BUMPER WHEEL	2,00			--
0011	VTRS00274		WASHER NYLON 66 D.8,4-17-2 UNI	4,00			--
0012	MPVR05290		ROLLER SIDE BUMPER WHEEL	2,00			--
0013	MPVR49229		BUSHING SHK	2,00			--
0014	VTDD01694		NUT M6 INOX	2,00			--
0015	MPVR06004		KNOB SQUEEGEE YELLOW M8X30	2,00		03/04/2018	--
0015	MPVR10569		SMALL KNOB YELLOW M8X45 H.10	2,00	04/04/2018		--
0016	MPVR08036		BLADE L LATEX	1,00			--
0017	LAFN09286		SHEET METAL PA. -	1,00			--
0018	VTVR00567		INSERT -	2,00			--
0019	LAFN09301		SOCKET -	2,00			--
0020	LAFN09287		SHEET METAL PA. -	1,00			--
0021	VTVT01206		SCREW M6X55	2,00			--
0022	RTRT00398		WHEEL d.60 HOLE 8	2,00			--
0023	LAFN07589		SPACER -	2,00			--
0024	LAFN09368		SUPPORT SX	1,00			--
0025	VTDD01694		NUT M6 INOX	2,00			--
0026	VTRS00245		WASHER D.6 UNI 6592 INOX	2,00			--
0027	VTRS16937		WASHER 6x24 INOX UNI 6593	2,00			--
0028	VTRS13945		WASHER D. 6X18 INX UNI 6593	2,00			--
0029	VTDD15518		NUT M 6 INX	2,00			--
0030	LAFN09367		SUPPORT DX	1,00			--
0031	LAFN09302		CLOSURE -	2,00			--
0032	VTVT01070		SCREW TSTC M3X8	8,00			--
0033	LAFN09015		PLATE -	1,00		22/02/2016	--
0033	LAFN11024		PLATE -	1,00	23/02/2016		--
0034	LAFN09014		PLATE -	1,00		22/02/2016	--
0034	LAFN11023		PLATE -	1,00	23/02/2016		--
0035	GUVR00302		GASKET -	1,00			--
0036	GUVR00303		GASKET -	1,00			--
0037	GUGO00164		GASKET	2,00			--
0038	VTRS16937		WASHER 6x24 INOX UNI 6593	2,00			--



Ref. K	Part n.	Part n. 2	Description	Quantity	Validity		Price
					From	To	
0001	MPVR06404		JOINT -	1,00			--
0002	TBFX00375		TUBE -	0,90			--
0003	MPVR08038		PLATE CT15-30	1,00			--
0004	KTRI02248		KIT .	1,00			--