

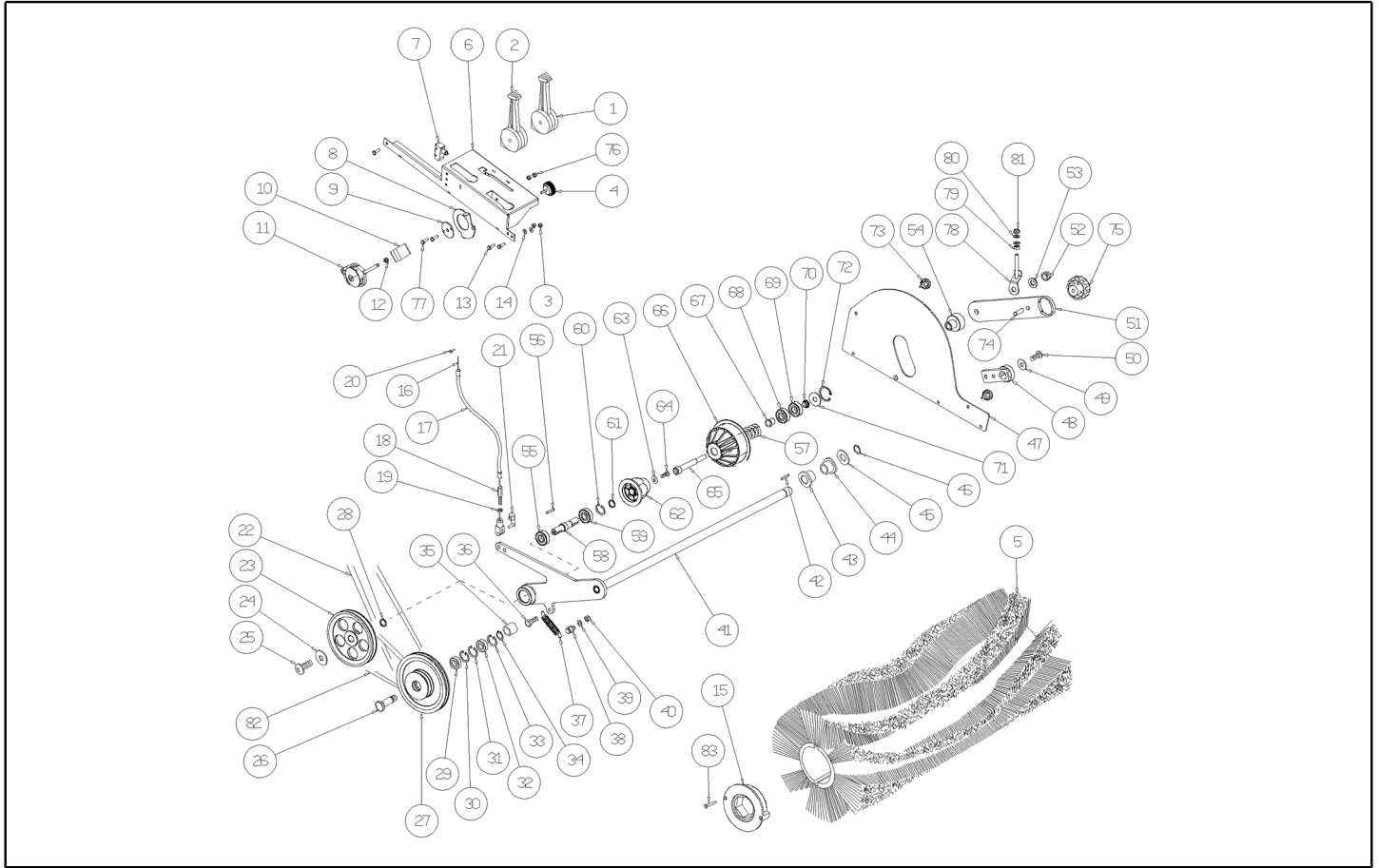


IPC

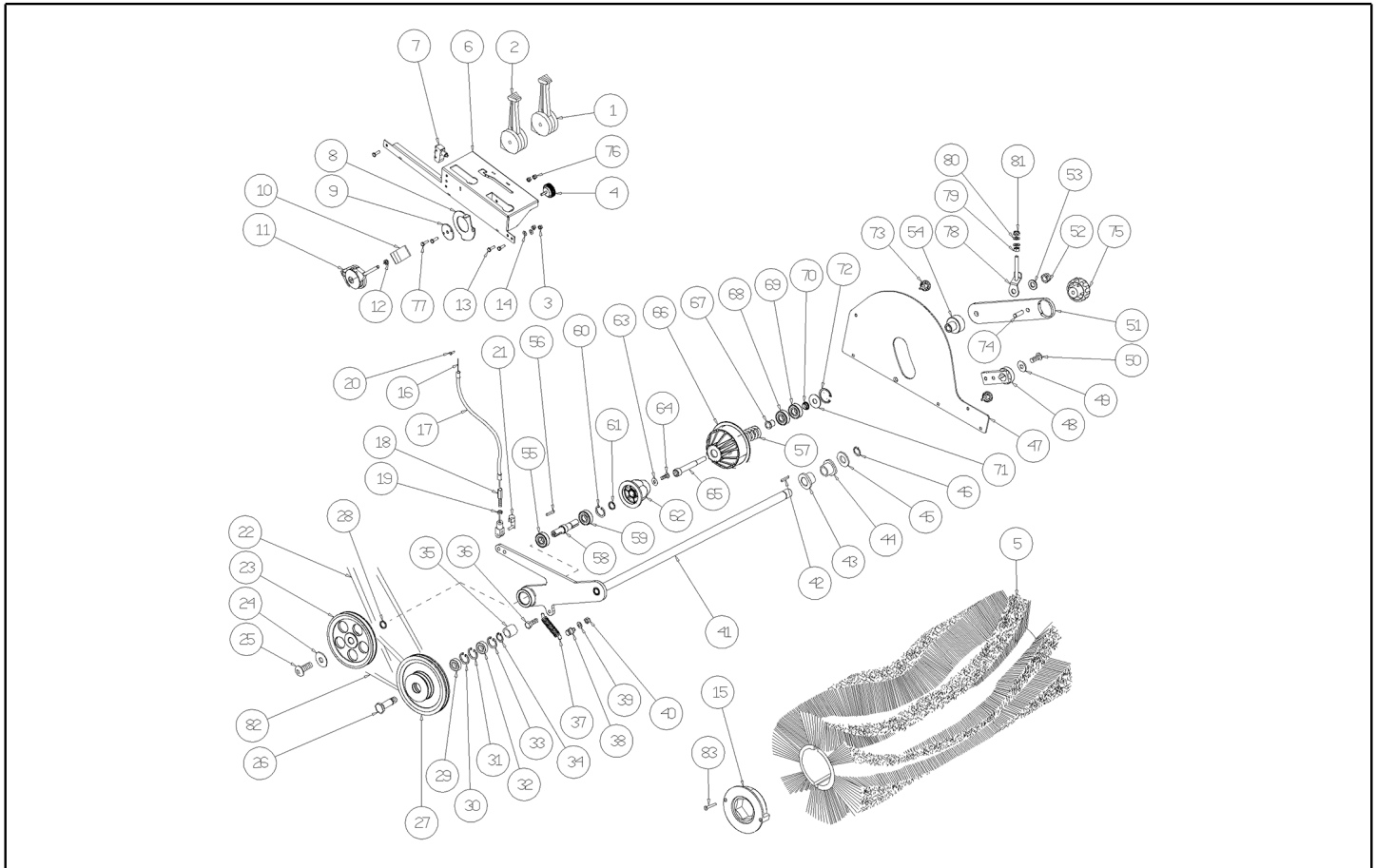
Spare parts list

Ref: MSUB00624

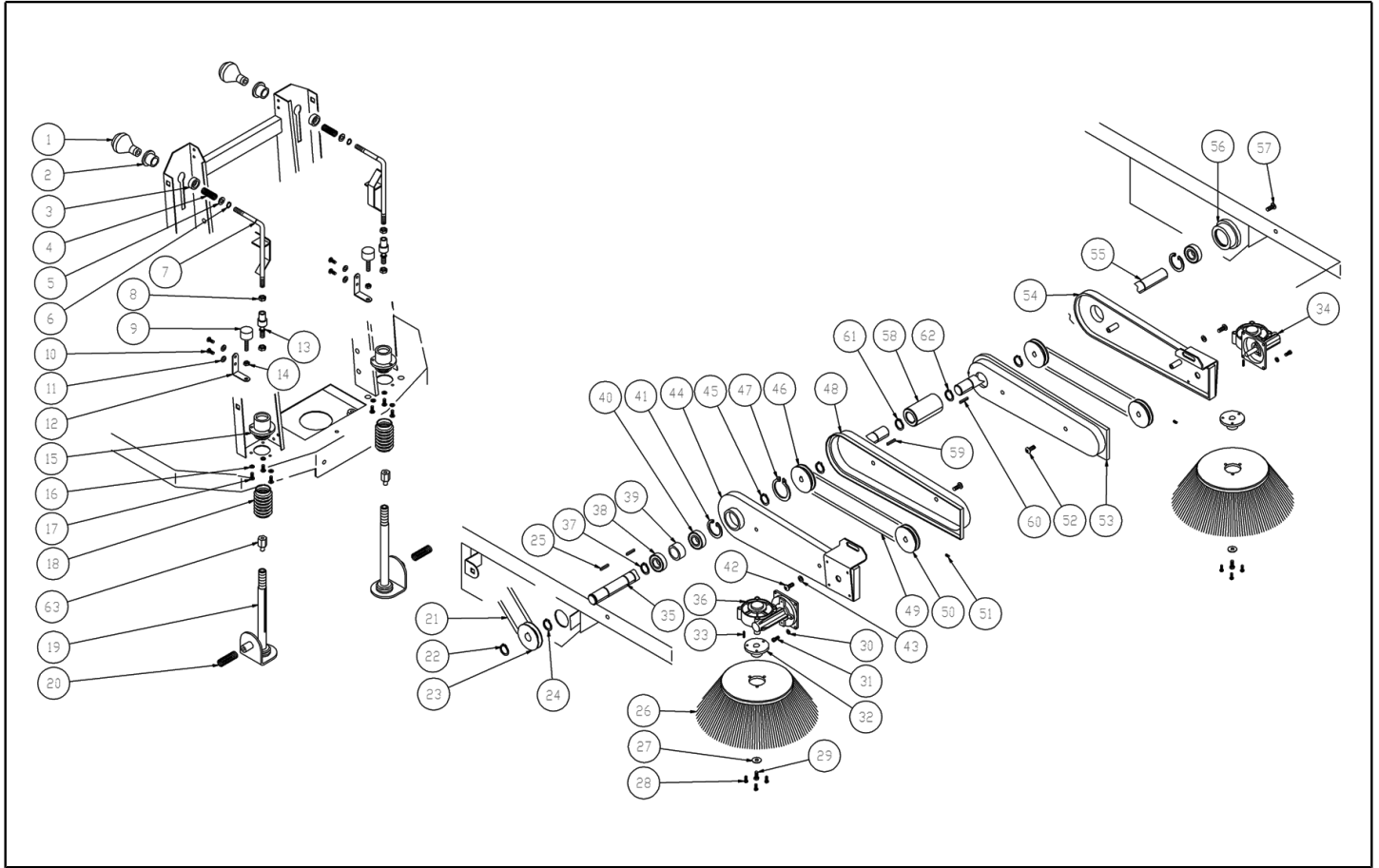
Model: SWEEPER 1280 D F.SAC. GR/VE 2SP



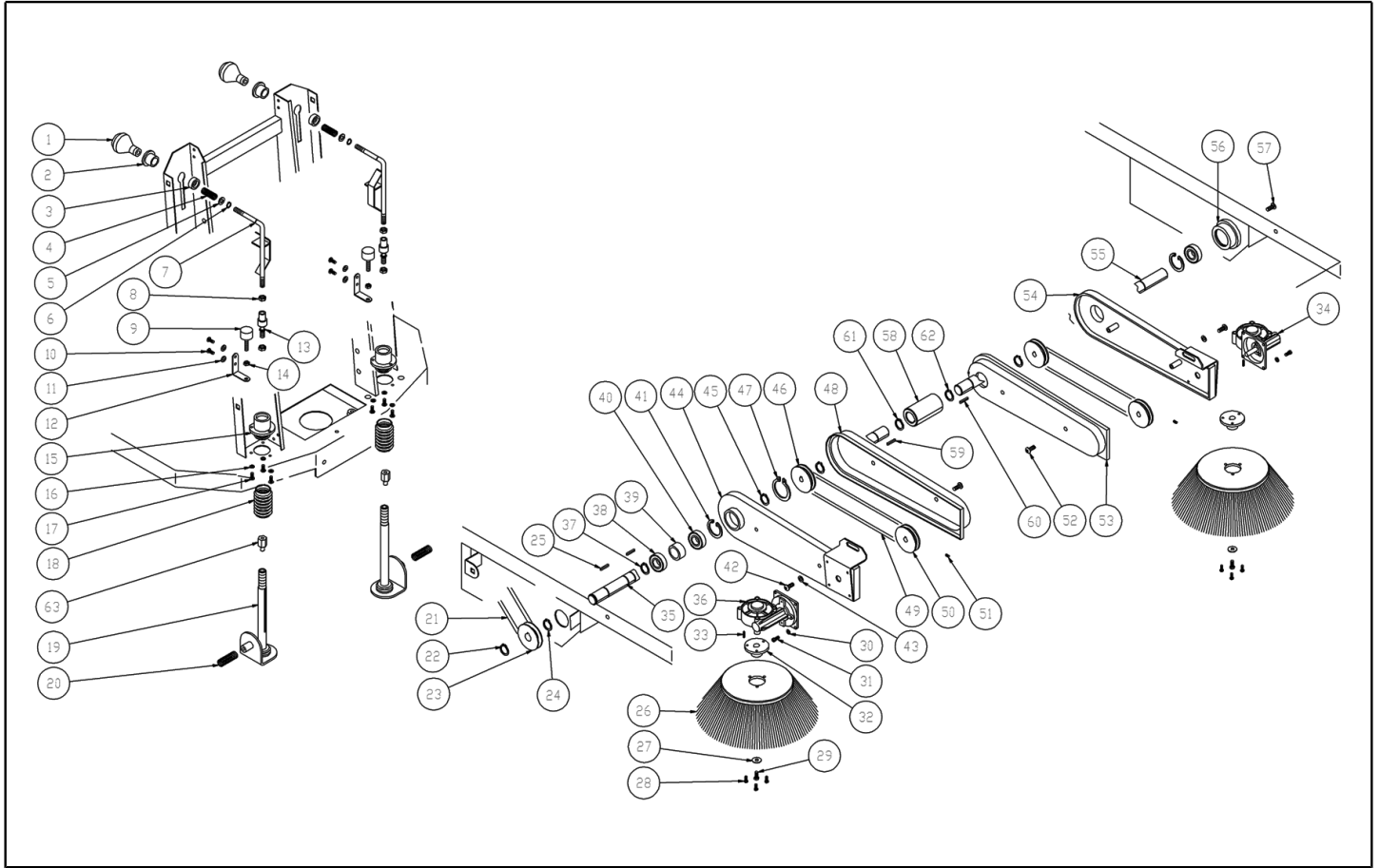
| Ref. K | Part n. | Part n. 2 | Description | Quantity | Validity | | Price |
|--------|-----------|-----------|-------------------------------------|----------|------------|------------|-------|
| | | | | | From | To | |
| 0001 | LAFN87159 | | LEVER SX TK 1000S | 1,00 | | | -- |
| 0002 | LAFN87160 | | LEVER DX TK 1000S | 1,00 | | | -- |
| 0003 | VTDD00491 | | NUT M 6 TEF | 2,00 | | | -- |
| 0004 | VTVT00125 | | HANDWHEEL D.40 M6X15 | 1,00 | | | -- |
| 0005 | SPPV75791 | | CENTRAL BRUSH 680X280mm | 1,00 | | | -- |
| 0006 | LAFN08172 | | SHEET METAL PA. TK1000 | 1,00 | | | -- |
| 0007 | MECI75801 | | MICROSWITCH A PISTONE (MS/10-Z15GC) | 1,00 | | | -- |
| 0008 | LAFN08186 | | SHEET METAL PA. - | 1,00 | | | -- |
| 0009 | LAFN08176 | | THICKNESS - | 1,00 | | | -- |
| 0010 | CMCV33356 | | MANOEUVRE LEVER INOX C/POM.SX NRO | 1,00 | | | -- |
| 0011 | CMCV33356 | | MANOEUVRE LEVER INOX C/POM.SX NRO | 1,00 | | | -- |
| 0012 | VTDD00483 | | NUT M 8 ZIN UNI 5588 | 1,00 | | | -- |
| 0013 | VTVT62920 | | SCREW TE FR 6X16 ZB ZIGRINATE | 3,00 | | | -- |
| 0014 | VTRS00504 | | WASHER D. 8 ZC. UNI 6592 | 2,00 | | | -- |
| 0015 | LAFN45099 | | DRIVE DISK CENTRAL BRUSH | 1,00 | | | -- |
| 0016 | CMCV00451 | | CABLE STEEL MAIN BRUSH LIFTING | 1,00 | | | -- |
| 0017 | CMCV47132 | | SHEATH L.14 A.FLAP | 1,00 | | | -- |
| 0018 | LAFN76659 | | PIN REGISTR.CAVO ALZA SPAZZ. | 1,00 | | | -- |
| 0019 | VTDD86871 | | NUT UNI 5589 M7 ZB | 1,00 | | | -- |
| 0020 | VTVT34115 | | SCREW TE M 5X 10 UNI 5739 | 1,00 | | | -- |
| 0021 | CMCV75718 | | CLIP UNI 1676 M8x16 | 1,00 | | | -- |
| 0022 | MTCG00140 | | BELT - | 1,00 | | | -- |
| 0023 | MTPL75998 | | PULLEY CENTRAL BRUSH ACTIVATION | 1,00 | | | -- |
| 0024 | VTRS00513 | | WASHER UNI 6593 8X32X2,5 ZB | 1,00 | | | -- |
| 0025 | VTVT87271 | | SCREW TBCE ISO 7380 8X16 ZB | 1,00 | | | -- |
| 0026 | LAFN00465 | | PIN FISSAG.PULEGGIA RINVIO | 1,00 | | | -- |
| 0027 | MTPL00017 | | PULLEY DI RINVIO TK1000S | 1,00 | | 04/10/2022 | -- |
| 0027 | MTPL75999 | | PULLEY BELT TRANSMISSION CENT.BR | 1,00 | 05/10/2022 | | -- |
| 0028 | LAFN06823 | | SPACER CUSCINETTI ALB.SPAZ.CENT. | 1,00 | | | -- |
| 0029 | CUVR00005 | | BEARING 6202 2RS | 1,00 | | 06/06/2023 | -- |
| 0029 | CUVR17004 | | BALL BEARING 6202 -2RS1 | 1,00 | 07/06/2023 | | -- |
| 0030 | VTAE17002 | | CIRCLIP D. 35 UNI 7437 | 1,00 | | | -- |
| 0031 | VTAE17002 | | CIRCLIP D. 35 UNI 7437 | 1,00 | | | -- |
| 0032 | CUVR00005 | | BEARING 6202 2RS | 1,00 | | 06/06/2023 | -- |
| 0032 | CUVR17004 | | BALL BEARING 6202 -2RS1 | 1,00 | 07/06/2023 | | -- |
| 0033 | VTAE17002 | | CIRCLIP D. 35 UNI 7437 | 1,00 | | | -- |
| 0034 | VTAE17003 | | CIRCLIP ESTERNO DIN 471 D.15 | 1,00 | | | -- |
| 0035 | LAFN00091 | | BUSHING PER PULEGGIA TRAINO | 1,00 | | | -- |
| 0036 | VTVT63129 | | SCREW TE FR 8X16 ZB ZIGRINATE | 1,00 | | | -- |
| 0037 | MLML87162 | | SPRING CON GANCI D.17X2X150 ZB | 1,00 | | | -- |
| 0038 | LAFN00464 | | PIN MOLLA RITORN.SPAZZ.CENTR. | 1,00 | | | -- |
| 0039 | VTRS00504 | | WASHER D. 8 ZC. UNI 6592 | 1,00 | | | -- |
| 0040 | VTDD00124 | | NUT M8 DIN985 | 1,00 | | | -- |
| 0041 | LAFN08197 | | ARM - | 1,00 | | | -- |



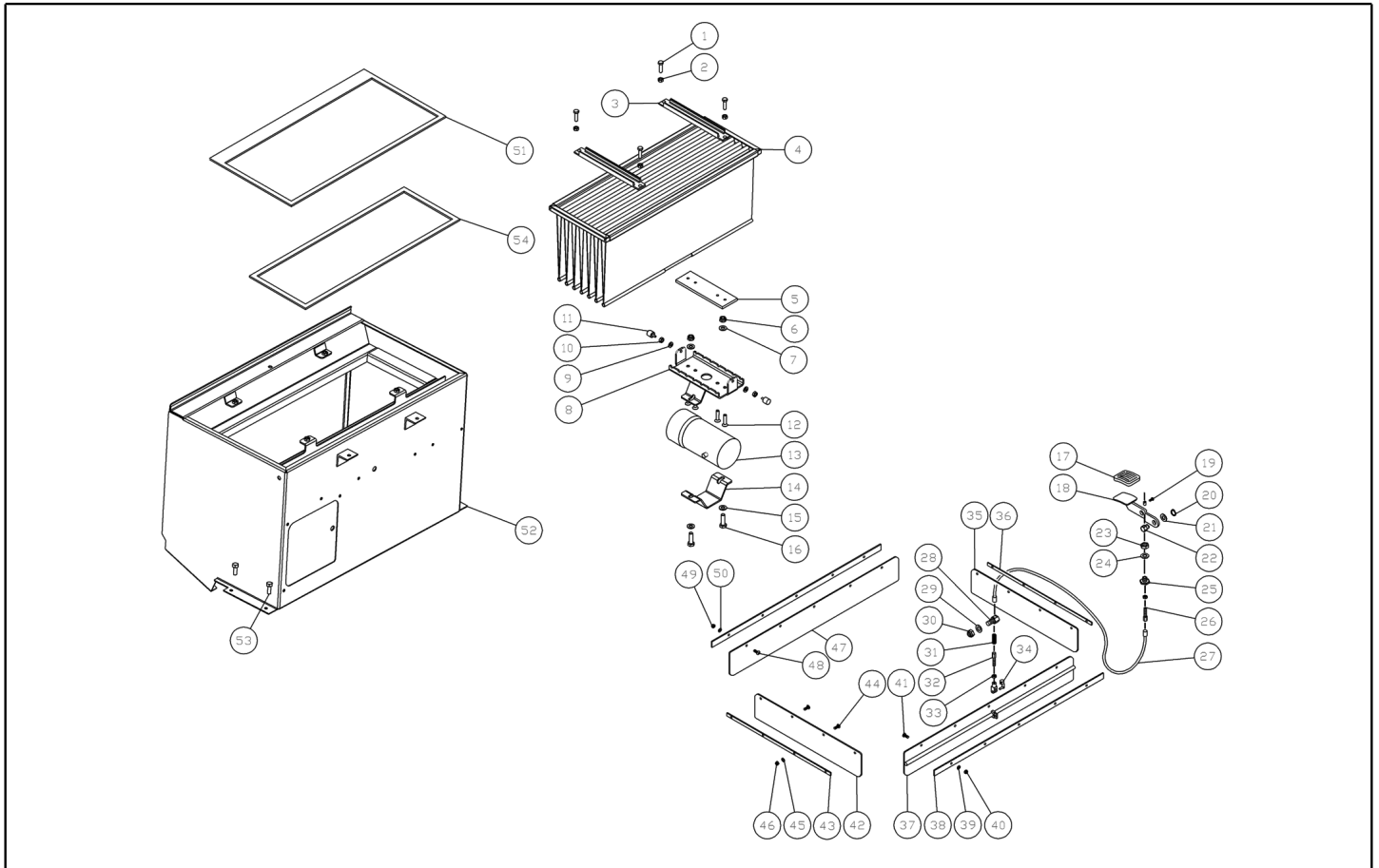
| Ref. K | Part n. | Part n. 2 | Description | Quantity | Validity | | Price |
|--------|-----------|-----------|----------------------------------|----------|------------|------------|-------|
| | | | | | From | To | |
| 0042 | VTVR28706 | | KEY UNI 6604 6X6X20 | 1,00 | | | -- |
| 0043 | MPVR85319 | | BUSHING INTERNA SUPPORTO BILANC. | 1,00 | | | -- |
| 0044 | MPVR85319 | | BUSHING INTERNA SUPPORTO BILANC. | 1,00 | | | -- |
| 0045 | VTRS00509 | | WASHER D.20 PIANA Z. UNI6592 | 1,00 | | | -- |
| 0046 | VTAE06193 | | CIRCLIP D. 20 UNI 7435 | 1,00 | | | -- |
| 0047 | LAFN36064 | | CLOSURE BRUSH COMPARTMENT | 1,00 | | | -- |
| 0048 | LAFN00699 | | CLAMP BRACCIO BLOC.SPAZZ.TK1000 | 1,00 | | | -- |
| 0049 | VTRS00514 | | WASHER UNI 6593 10X30X2,5 ZB | 1,00 | | | -- |
| 0050 | VTVT47025 | | SCREW TBCE ISO 7380 10X16 ZB | 1,00 | | | -- |
| 0051 | LAFN08193 | | ARM - | 1,00 | | | -- |
| 0052 | VTDD00012 | | NUT AUTOBLOK DIN 985 M12 ZB | 1,00 | | | -- |
| 0053 | VTRS00506 | | WASHER D.12 UNI 6592 | 1,00 | | | -- |
| 0054 | LAFN06836 | | PIN CENTRAGGIO PROTEZIONE | 1,00 | | 03/09/2015 | -- |
| 0054 | LAFN09473 | | BUSHING - | 1,00 | 04/09/2015 | | -- |
| 0055 | CUVR17004 | | BALL BEARING 6202 -2RS1 | 1,00 | | | -- |
| 0056 | VTVR13165 | | KEY UNI 6604 5X5X20 | 1,00 | | | -- |
| 0057 | MLML00295 | | SPRING SPAZZOLA CENTRALE | 1,00 | | | -- |
| 0058 | LAFN08198 | | SHAFT - | 1,00 | | | -- |
| 0059 | CUVR17004 | | BALL BEARING 6202 -2RS1 | 1,00 | | | -- |
| 0060 | VTAE17002 | | CIRCLIP D. 35 UNI 7437 | 1,00 | | | -- |
| 0061 | LAFN06823 | | SPACER CUSCINETTI ALB.SPAZ.CENT. | 1,00 | | | -- |
| 0062 | MPVR04915 | | HUB CENTRAL BRUSH 1404 | 1,00 | | | -- |
| 0063 | VTRS04026 | | WASHER D. 6X18X2.38 | 1,00 | | | -- |
| 0064 | VTVT62920 | | SCREW TE FR 6X16 ZB ZIGRINATE | 1,00 | | | -- |
| 0065 | VTVT01128 | | SCREW TCCE UNI 5931 12X120 ZB | 1,00 | | | -- |
| 0066 | MPVR04923 | | SUPPORT SPAZZOLA CENTRALE | 1,00 | | | -- |
| 0067 | LAFN06782 | | BUSHING PER CUSCINETTO | 1,00 | | | -- |
| 0068 | CUVR17004 | | BALL BEARING 6202 -2RS1 | 1,00 | | | -- |
| 0069 | CUVR17004 | | BALL BEARING 6202 -2RS1 | 1,00 | | | -- |
| 0070 | LAFN06783 | | BUSHING PER CUSCINETTO 1 | 1,00 | | | -- |
| 0071 | VTRS00553 | | WASHER PARAPOLVERE | 1,00 | | | -- |
| 0072 | VTAE17002 | | CIRCLIP D. 35 UNI 7437 | 1,00 | | | -- |
| 0073 | RTRT00022 | | HANDWHEEL D.30 M6X15 | 1,00 | | | -- |
| 0074 | VTVT00046 | | GRUB SCREW UNI 5923 8X35 ZB | 1,00 | | | -- |
| 0075 | VTVR00047 | | HANDWHEEL D.50 M8 | 1,00 | | | -- |
| 0076 | VTDD00491 | | NUT M 6 TEF | 2,00 | | | -- |
| 0077 | VTVT00444 | | SCREW TE 6X20 UNI5739 | 2,00 | | | -- |
| 0078 | LAFN08826 | | REGISTER - | 1,00 | 19/05/2015 | | -- |
| 0079 | VTDD00483 | | NUT M 8 ZIN UNI 5588 | 1,00 | 19/05/2015 | | -- |
| 0080 | VTRS00504 | | WASHER D. 8 ZC. UNI 6592 | 2,00 | 19/05/2015 | | -- |
| 0081 | VTDD00124 | | NUT M8 DIN985 | 1,00 | 19/05/2015 | | -- |
| 0082 | MTCG00138 | | BELT XPZ ESEC.6T 6B LP758 | 1,00 | | | -- |
| 0083 | VTVT01705 | | SCREW 4X45 UNI 9709 | 2,00 | | | -- |



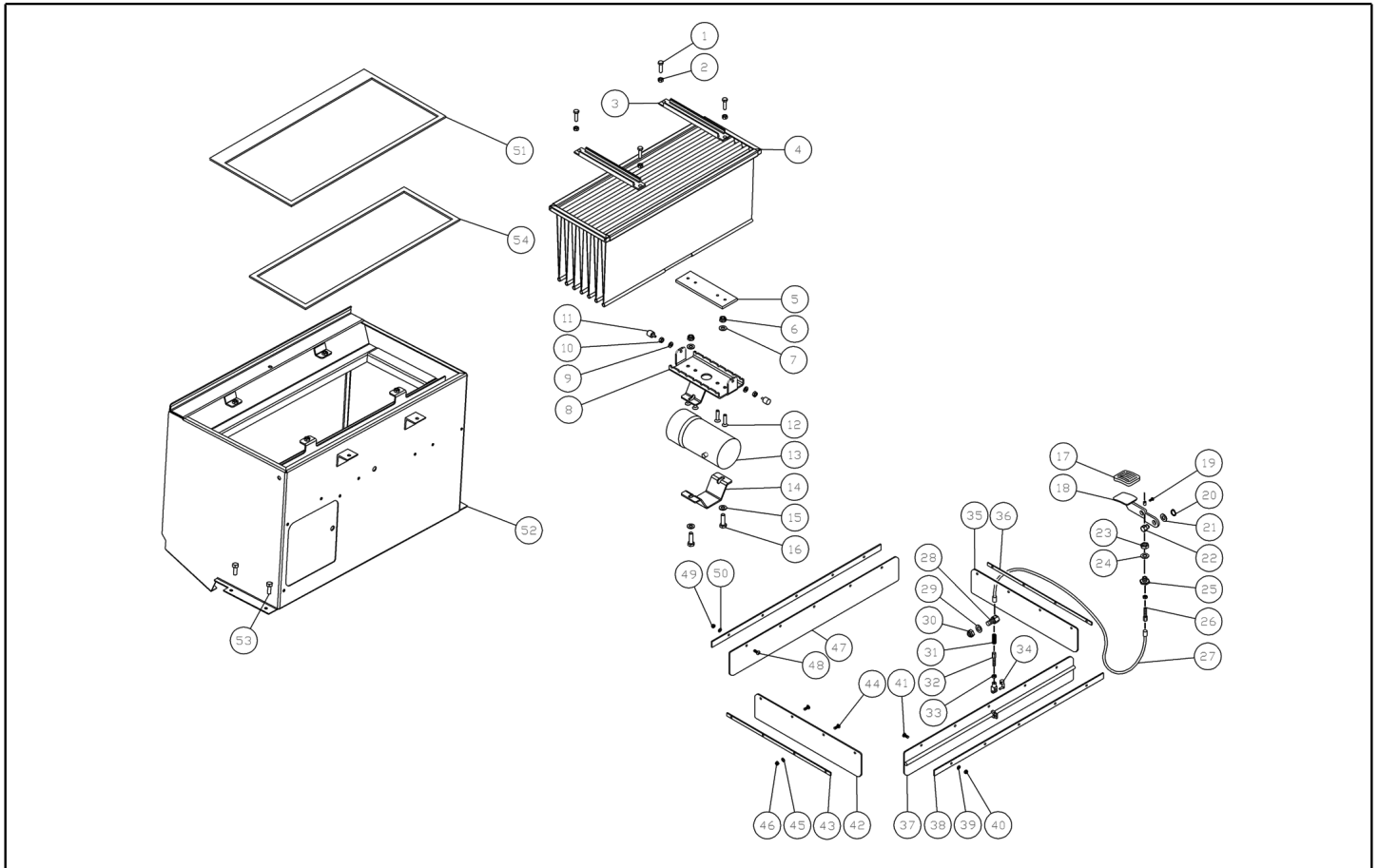
| Ref. K | Part n. | Part n. 2 | Description | Quantity | Validity | | Price |
|--------|-----------|-----------|------------------------------------|----------|------------|------------|-------|
| | | | | | From | To | |
| 0001 | MPVR87264 | | KNOB ALZASPAZ.LATERALE TK1000 | 2,00 | | | -- |
| 0002 | MPVR47076 | | BUSHING DI FERMO BRACCIO LAT. | 2,00 | | | -- |
| 0003 | MPVR47074 | | BUSHING FERMO ALZASPAZ.LAT.INT. | 2,00 | | | -- |
| 0004 | MLML47075 | | SPRING LEVA SPAZ.LAT.D.15X1,5X24 | 2,00 | | | -- |
| 0005 | VTRS00505 | | WASHER D.10 UNI 6592 | 2,00 | | | -- |
| 0006 | VTAE87276 | | SEEGER EXT. D10 DIN471 | 2,00 | | | -- |
| 0007 | LAFN00700 | | ARM DX ALZA SPAZ. TK1000 ZINC | 2,00 | | | -- |
| 0008 | VTDD00484 | | NUT M10 ZIN UNI 5588 | 2,00 | | 29/12/2014 | -- |
| 0008 | VTDD00008 | | NUT M10 UNI 5589 ZB | 4,00 | 30/12/2014 | | -- |
| 0009 | MPVR75799 | | FOOT 20X9 M6X18 | 2,00 | | 29/12/2014 | -- |
| 0009 | ABGO00008 | | VIBRATION DAMP. PM 20X20 M6X20 | 2,00 | 30/12/2014 | | -- |
| 0010 | VTVT75726 | | SCREW TBCE ISO 7380 6X16 ZB | 4,00 | | | -- |
| 0011 | VTRS04026 | | WASHER D. 6X18X2,38 | 4,00 | | | -- |
| 0012 | MPVR86579 | | SUPPORT TK | 2,00 | | | -- |
| 0013 | VTVR47072 | | ARTICULATION ASSIALE M10 | 2,00 | | | -- |
| 0014 | VTDD00482 | | NUT M 6 ZIN UNI 5588 | 2,00 | | | -- |
| 0015 | LAFN87266 | | FLANGE SUPP.SPAZ.LAT.TK1000S ZIN | 2,00 | | | -- |
| 0016 | VTRS00503 | | WASHER D. 6 UNI 6592 | 6,00 | | | -- |
| 0017 | VTVT75726 | | SCREW TBCE ISO 7380 6X16 ZB | 6,00 | | | -- |
| 0018 | MPVR47066 | | PROTECTOR X ALBERO SPAZZOLA TK1000 | 2,00 | | | -- |
| 0019 | LAFN87267 | | SUPPORT BRACCIO LAT.DX/SX 1000 ZN | 2,00 | | | -- |
| 0020 | MLML75963 | | SPRING PREMI SPAZZ.D.20X2X37 ZB | 2,00 | | | -- |
| 0021 | MTCG00139 | | BELT XPZ ESEC.6T 6B LP825 | 1,00 | | | -- |
| 0022 | VTAE13512 | | CIRCLIP D. 17 UNI 7435 | 1,00 | | | -- |
| 0023 | MTPL00016 | | PULLEY D.78 H.25 | 1,00 | | | -- |
| 0024 | VTAE13512 | | CIRCLIP D. 17 UNI 7435 | 1,00 | | | -- |
| 0025 | VTVR33667 | | KEY UNI 6604 5X5X25 | 2,00 | | | -- |
| 0026 | SPPV00018 | | SIDE-BRUSH 1202-1250-1280 | 2,00 | | | -- |
| 0027 | VTRS63242 | | WASHER UNI 6593 6X24X2 ZB | 2,00 | | | -- |
| 0028 | VTVT62920 | | SCREW TE FR 6X16 ZB ZIGRINATE | 6,00 | | | -- |
| 0029 | VTVT00527 | | SCREW TE FR 6X10 ZB ZIG. | 2,00 | | | -- |
| 0030 | VTRS00503 | | WASHER D. 6 UNI 6592 | 8,00 | | | -- |
| 0031 | VTVT75726 | | SCREW TBCE ISO 7380 6X16 ZB | 8,00 | | | -- |
| 0032 | LAFN45010 | | FLANGE L.1400 LT | 2,00 | | | -- |
| 0033 | VTVR33667 | | KEY UNI 6604 5X5X25 | 2,00 | | | -- |
| 0034 | RDGR75786 | | REDUCTION UNIT SPAZ.LAT.SX TK1000S | 1,00 | | | -- |
| 0035 | ALTR00098 | | SHAFT DX | 1,00 | | | -- |
| 0036 | RDGR85001 | | REDUCTION UNIT SPAZ.LAT.DX TK1000S | 1,00 | | | -- |
| 0037 | VTAE13512 | | CIRCLIP D. 17 UNI 7435 | 1,00 | | | -- |
| 0038 | CUVR00008 | | BEARING 6003 2RS | 1,00 | | | -- |
| 0039 | LAFN00102 | | SPACER CUSCIN.MOZZO SOST.SP.LAT. | 1,00 | | | -- |
| 0040 | CUVR00008 | | BEARING 6003 2RS | 2,00 | | | -- |
| 0041 | VTAE17002 | | CIRCLIP D. 35 UNI 7437 | 2,00 | | | -- |
| 0042 | VTVT87271 | | SCREW TBCE ISO 7380 8X16 ZB | 2,00 | | | -- |



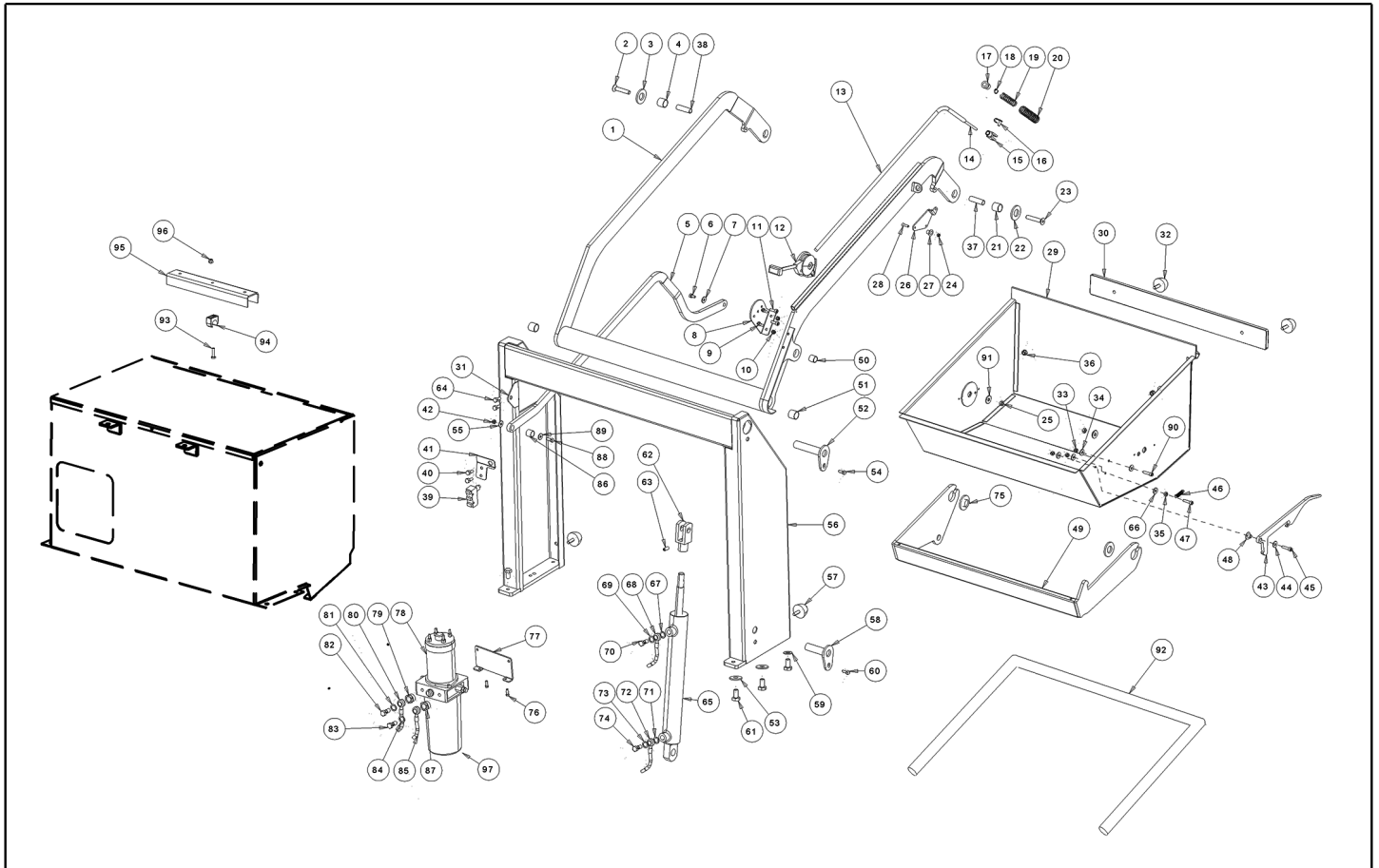
| Ref. K | Part n. | Part n. 2 | Description | Quantity | Validity | | Price |
|--------|-----------|-----------|------------------------------------|----------|----------|----|-------|
| | | | | | From | To | |
| 0043 | VTRS00512 | | WASHER D. 8 X24 ZC. | 2,00 | | | -- |
| 0044 | LAFN76761 | | ARM ALZASPAZ.LAT.DX 1000S NER | 1,00 | | | -- |
| 0045 | VTAE13512 | | CIRCLIP D. 17 UNI 7435 | 1,00 | | | -- |
| 0046 | MTPL87275 | | PULLEY D.96 H.26 | 1,00 | | | -- |
| 0047 | VTAE87277 | | SEEGER ESTERNO DIN 471 D.45 | 2,00 | | | -- |
| 0048 | MPVR87287 | | CRANKCASE BRACCIO LAT.DX TK1000S | 1,00 | | | -- |
| 0049 | MTCG85309 | | BELT TONDA D.8 | 2,00 | | | -- |
| 0050 | MTPL87274 | | PULLEY D.75 H.27 | 2,00 | | | -- |
| 0051 | VTVT86570 | | GRUB SCREW UNI 5927 6X10 CON PUNTA | 2,00 | | | -- |
| 0052 | VTVT45395 | | SCREW TBCE ISO 7380 8X10 ZB | 4,00 | | | -- |
| 0053 | MPVR87281 | | CRANKCASE BRACCIO LAT SX TK1000S | 1,00 | | | -- |
| 0054 | LAFN87273 | | ARM ALZASPAZ.LAT.SX 1000S VER | 1,00 | | | -- |
| 0055 | ALTR00099 | | SHAFT SX | 1,00 | | | -- |
| 0056 | LAFN87280 | | HUB SOSTEG.SX ALBERO SPAZ.LAT | 1,00 | | | -- |
| 0057 | VTVT47025 | | SCREW TBCE ISO 7380 10X16 ZB | 1,00 | | | -- |
| 0058 | LAFN08218 | | SLEEVE - | 1,00 | | | -- |
| 0059 | VTVR33667 | | KEY UNI 6604 5X5X25 | 1,00 | | | -- |
| 0060 | VTVR33667 | | KEY UNI 6604 5X5X25 | 1,00 | | | -- |
| 0061 | VTAE13512 | | CIRCLIP D. 17 UNI 7435 | 1,00 | | | -- |
| 0062 | VTAE13512 | | CIRCLIP D. 17 UNI 7435 | 1,00 | | | -- |
| 0063 | LAFN08217 | | SPACER - | 2,00 | | | -- |



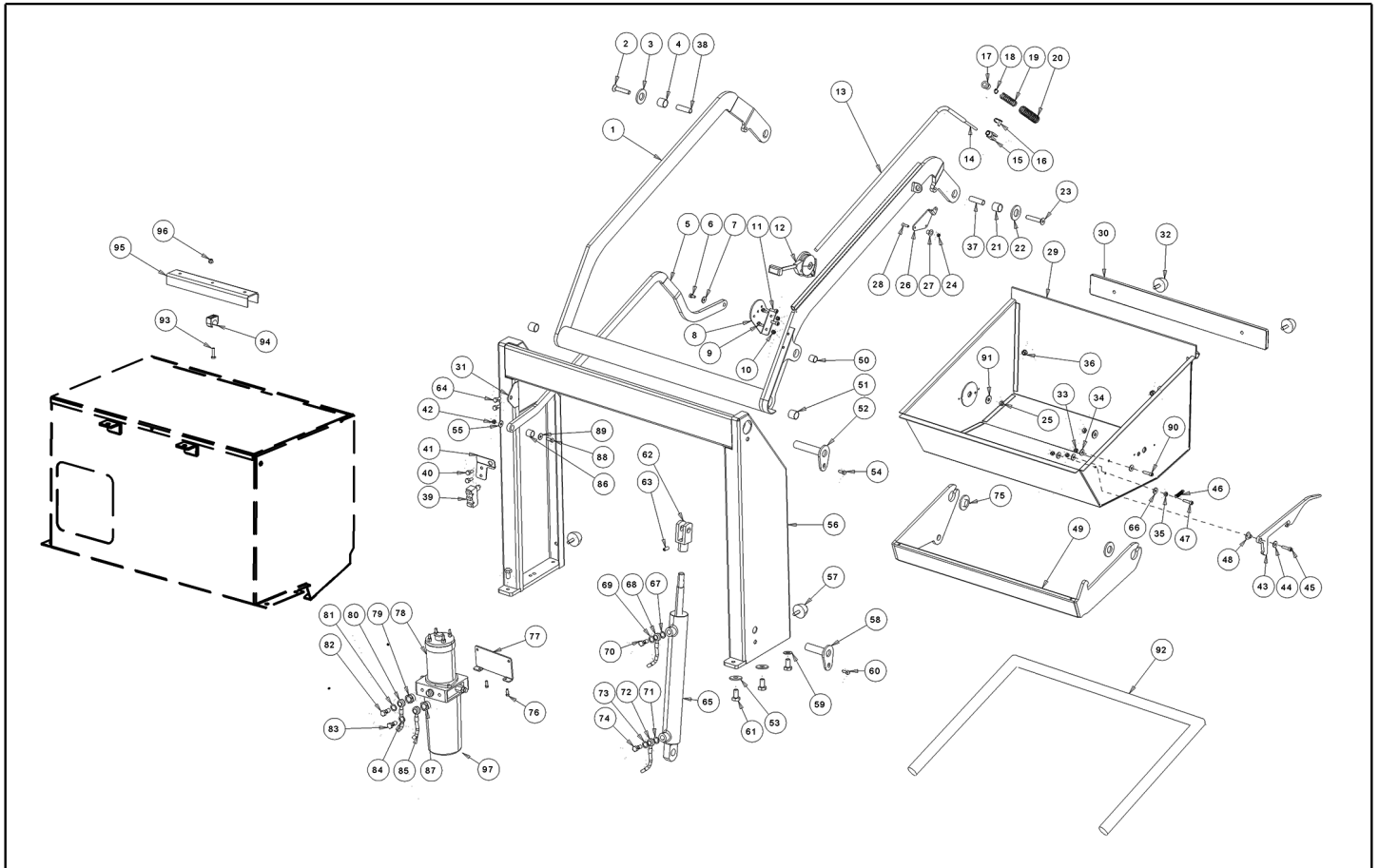
| Ref. K | Part n. | Part n. 2 | Description | Quantity | Validity | | Price |
|--------|-----------|-----------|---------------------------------|----------|----------|----|-------|
| | | | | | From | To | |
| 0001 | VTVT00447 | | SCREW TE 8X25 UNI5739 | 2,00 | | | -- |
| 0002 | VTDD00483 | | NUT M 8 ZIN UNI 5588 | 4,00 | | | -- |
| 0003 | LAFN08903 | | BRACKET - | 2,00 | | | -- |
| 0004 | FTDP00214 | | FILTER PLEATED POLYESTER 1280 | 1,00 | | | -- |
| 0005 | LAFN08921 | | PLATE - | 1,00 | | | -- |
| 0006 | VTDD00042 | | NUT AUT.M10 UNI7474 | 2,00 | | | -- |
| 0007 | VTRS00505 | | WASHER D.10 UNI 6592 | 2,00 | | | -- |
| 0008 | LAFN08917 | | BRACKET - | 1,00 | | | -- |
| 0009 | VTRS00503 | | WASHER D. 6 UNI 6592 | 2,00 | | | -- |
| 0010 | VTDD00491 | | NUT M 6 TEF | 2,00 | | | -- |
| 0011 | ABGO00013 | | VIBRATION DAMP. 25x25 M6x25 | 2,00 | | | -- |
| 0012 | VTVT00427 | | SCREW TSPEI 8X35 UNI5933 INX | 4,00 | | | -- |
| 0013 | MOCC00404 | | MOTOR | 1,00 | | | -- |
| 0014 | LAFN06718 | | BRACKET - | 1,00 | | | -- |
| 0015 | VTRS00505 | | WASHER D.10 UNI 6592 | 2,00 | | | -- |
| 0016 | VTVT00458 | | SCREW TE M 10X35 ZINC. UNI 5739 | 2,00 | | | -- |
| 0017 | MPVR45096 | | PEDAL COVER GRANDE V1021 | 1,00 | | | -- |
| 0018 | LAFN76008 | | PEDAL ALZAFLAP TK1000 ZINCATO | 1,00 | | | -- |
| 0019 | VTVR00028 | | CLAMP PER CASSETTO G1300 | 1,00 | | | -- |
| 0020 | VTAE14016 | | SEEGER ESTERNO DIN 471 D.12 | 1,00 | | | -- |
| 0021 | VTRS00506 | | WASHER D.12 UNI 6592 | 1,00 | | | -- |
| 0022 | LAFN75973 | | PIN FISSAG.CAVI FERMA FLAP | 1,00 | | | -- |
| 0023 | VTDD01682 | | NUT M12 ZC UNI 5588 | 1,00 | | | -- |
| 0024 | VTRS00505 | | WASHER D.10 UNI 6592 | 1,00 | | | -- |
| 0025 | LAFN75975 | | PIN CENTRAG.FILO PEDALE FRENO | 1,00 | | | -- |
| 0026 | CMCV75723 | | REGISTER D.7 | 1,00 | | | -- |
| 0027 | CMCV75905 | | SHEATH X CABLE | 1,00 | | | -- |
| 0028 | LAFN75976 | | PIN GUIDA MOLLA ALZAFLAP 1000 | 1,00 | | | -- |
| 0029 | VTRS00506 | | WASHER D.12 UNI 6592 | 1,00 | | | -- |
| 0030 | VTDD00012 | | NUT AUTOBLOK DIN 985 M12 ZB | 1,00 | | | -- |
| 0031 | MLML75962 | | SPRING ALZAFLAP D.11,5X1,5 ZB | 1,00 | | | -- |
| 0032 | CMCV45110 | | CORD D. 2.5 FLAP L.14 | 1,00 | | | -- |
| 0033 | VTDD00482 | | NUT M 6 ZIN UNI 5588 | 1,00 | | | -- |
| 0034 | CMCV75717 | | CLIP UNI 1676 M6x12 | 1,00 | | | -- |
| 0035 | MPVR75936 | | FLAP LH-RH SIDES TK1000 | 1,00 | | | -- |
| 0036 | LAFN00305 | | CLAMP FLAP DX/SX TK1000 NERO | 1,00 | | | -- |
| 0037 | MPVR75935 | | FLAP FRONT TK1000 MODELS | 1,00 | | | -- |
| 0038 | LAFN86529 | | CLAMP FLAP ANT/POST TK1000 NERO | 1,00 | | | -- |
| 0039 | VTRS00503 | | WASHER D. 6 UNI 6592 | 8,00 | | | -- |
| 0040 | VTDD00491 | | NUT M 6 TEF | 8,00 | | | -- |
| 0041 | VTVT75721 | | SCREW TTDE UNI 5732 6X16 ZB | 8,00 | | | -- |
| 0042 | MPVR75936 | | FLAP LH-RH SIDES TK1000 | 1,00 | | | -- |
| 0043 | LAFN00305 | | CLAMP FLAP DX/SX TK1000 NERO | 1,00 | | | -- |
| 0044 | VTVT75721 | | SCREW TTDE UNI 5732 6X16 ZB | 4,00 | | | -- |



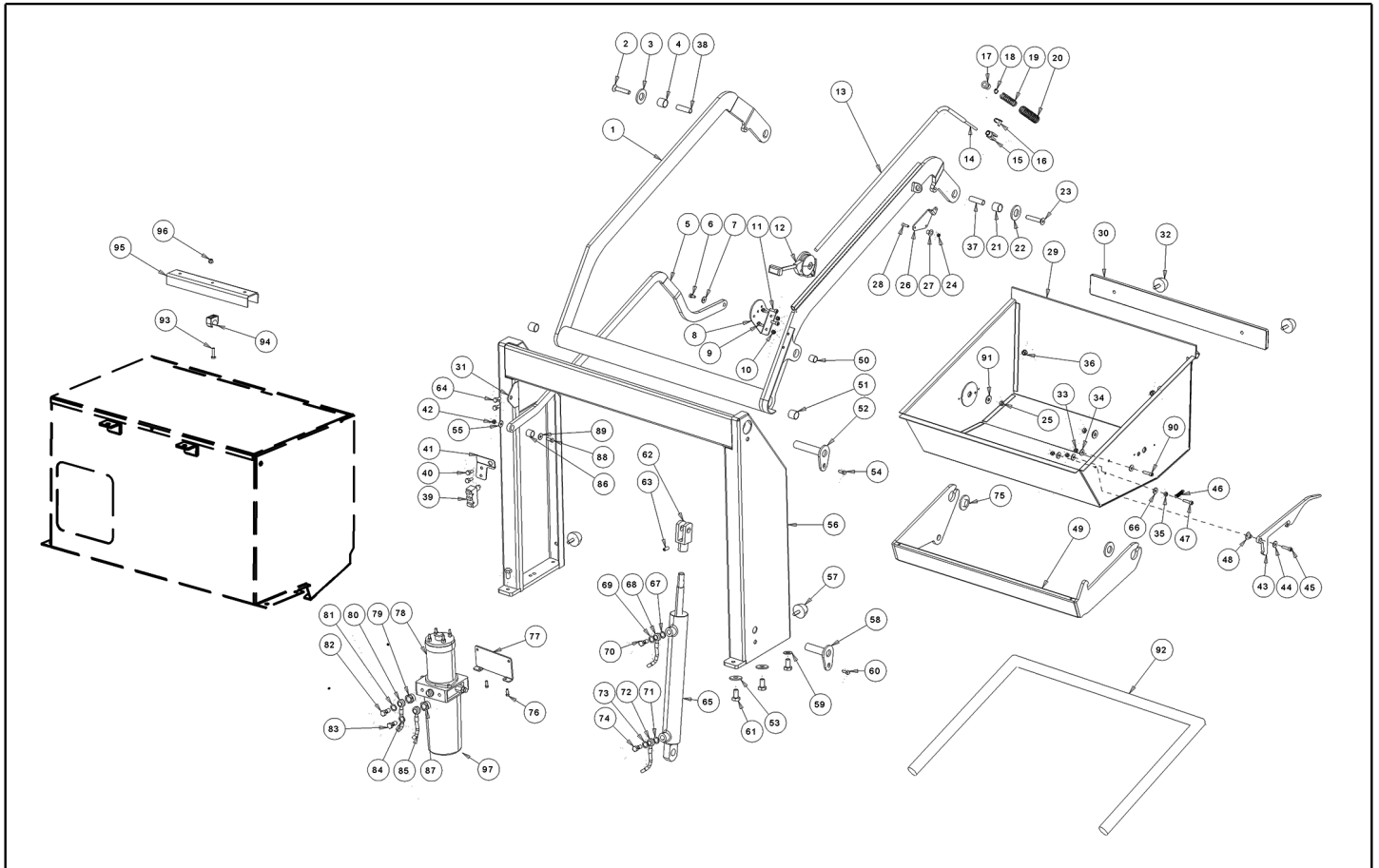
| Ref. K | Part n. | Part n. 2 | Description | Quantity | Validity | | Price |
|--------|-----------|-----------|-------------------------------|----------|----------|----|-------|
| | | | | | From | To | |
| 0045 | VTRS00503 | | WASHER D. 6 UNI 6592 | 4,00 | | | -- |
| 0046 | VTDD00491 | | NUT M 6 TEF | 4,00 | | | -- |
| 0047 | MPVR75934 | | FLAP REAR TK1000 | 1,00 | | | -- |
| 0048 | VTVT75721 | | SCREW TTDE UNI 5732 6X16 ZB | 5,00 | | | -- |
| 0049 | VTDD00491 | | NUT M 6 TEF | 5,00 | | | -- |
| 0050 | VTRS00503 | | WASHER D. 6 UNI 6592 | 5,00 | | | -- |
| 0051 | KTRI01997 | | KIT LID GASKETS TK1020-1250 | 1,00 | | | -- |
| 0052 | LAFN36060 | | FRAME SUPPORT POCKET FILTER | 1,00 | | | -- |
| 0053 | VTVT62920 | | SCREW TE FR 6X16 ZB ZIGRINATE | 4,00 | | | -- |
| 0054 | KTRI01998 | | KIT KIT GASKETS FILTER 1250 | 1,00 | | | -- |



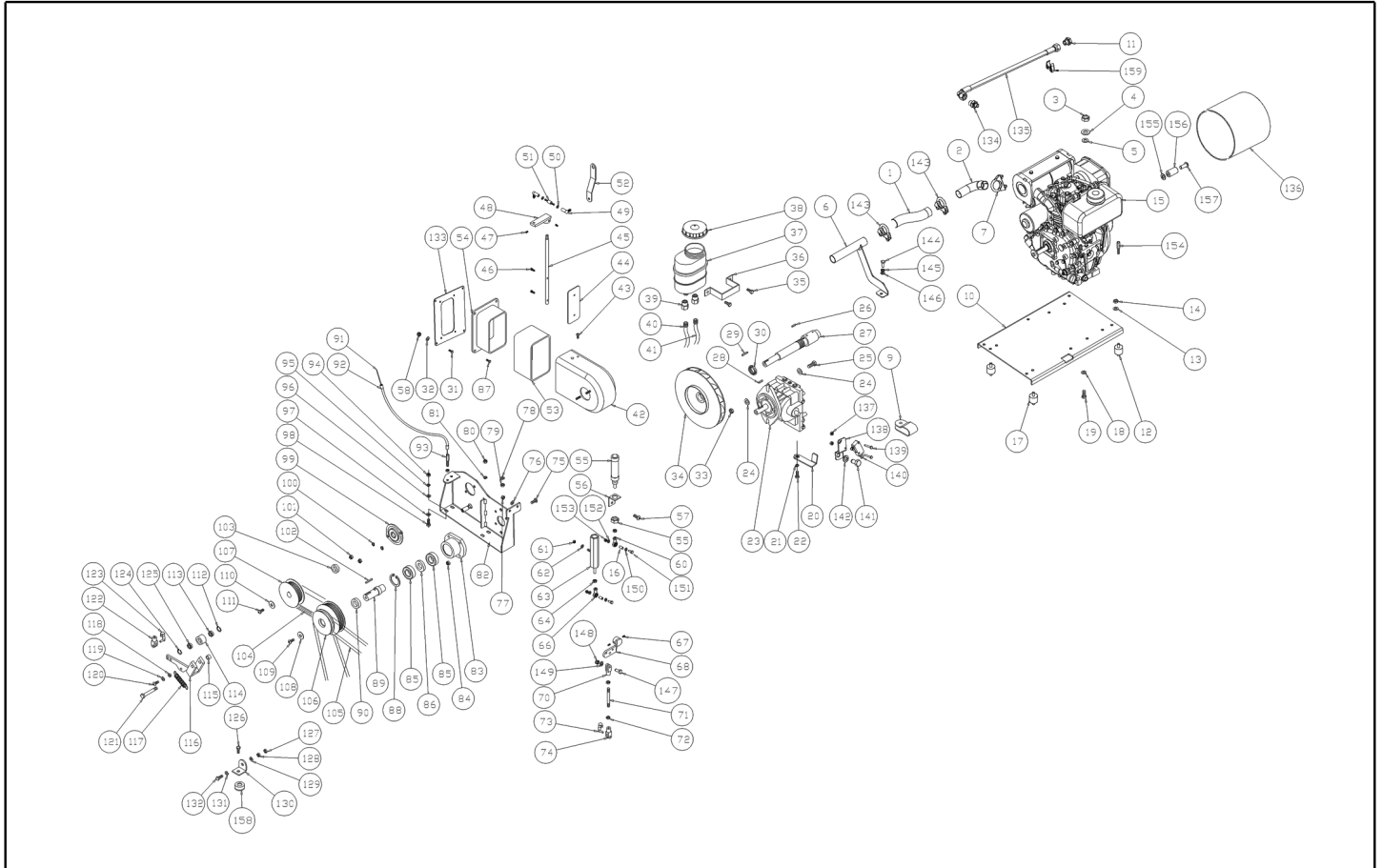
| Ref. K | Part n. | Part n. 2 | Description | Quantity | Validity | | Price |
|--------|-----------|-----------|-------------------------------------|----------|------------|------------|-------|
| | | | | | From | To | |
| 0001 | LAFN08188 | | ARM - | 1,00 | | | -- |
| 0002 | VTVT01577 | | SCREW TSCE UNI 5933 8X50 ZB | 1,00 | | | -- |
| 0003 | VTRS00506 | | WASHER D.12 UNI 6592 | 1,00 | | | -- |
| 0004 | MPVR00010 | | BUSHING GLYCODUR GLY.PG 20-23-10F | 1,00 | | | -- |
| 0005 | LAFN00778 | | ARM PARALLELOG.DX/SX 1300 ZN | 1,00 | | | -- |
| 0006 | VTVT00678 | | SCREW | 1,00 | | | -- |
| 0007 | VTRS00505 | | WASHER D.10 UNI 6592 | 1,00 | | | -- |
| 0008 | LAFN00243 | | COUPLING CAVO SGAN.CASSETTO 1300 | 1,00 | | | -- |
| 0009 | VTVT62920 | | SCREW TE FR 6X16 ZB ZIGRINATE | 2,00 | | | -- |
| 0010 | VTDD00491 | | NUT M 6 TEF | 2,00 | | | -- |
| 0011 | VTVT00061 | | SCREW TSCE UNI 5933 6X20 ZB | 2,00 | | | -- |
| 0012 | CMCV33356 | | MANOEUVRE LEVER INOX C/POM.SX NRO | 1,00 | | | -- |
| 0013 | CMCV00039 | | SHEATH CASSETTO G1300 | 1,00 | | 17/01/2016 | -- |
| 0013 | CMCV00452 | | SHEATH - | 1,00 | 18/01/2016 | | -- |
| 0014 | CMCV00038 | | CABLE CASSETTO G1300 | 1,00 | | | -- |
| 0015 | CMCV00006 | | FORK UNI 1676 M6X24 | 1,00 | | | -- |
| 0016 | CMCV00009 | | CLIP UNI 1676 | 1,00 | | | -- |
| 0017 | LAFN00854 | | CLAMP GUAINA SOLLEV.CASS.G1300 | 1,00 | | | -- |
| 0018 | VTAE17003 | | CIRCLIP ESTERNO DIN 471 D.15 | 1,00 | | | -- |
| 0019 | MLML75964 | | SPRING PORTACEPPO D.11,3X1,5X100 | 1,00 | | | -- |
| 0020 | MPVR00071 | | PROTECTOR X CASSETTO G1300 | 1,00 | | | -- |
| 0021 | MPVR00010 | | BUSHING GLYCODUR GLY.PG 20-23-10F | 1,00 | | | -- |
| 0022 | VTRS00506 | | WASHER D.12 UNI 6592 | 1,00 | | | -- |
| 0023 | VTVT01577 | | SCREW TSCE UNI 5933 8X50 ZB | 1,00 | | | -- |
| 0024 | VTDD08171 | | NUT M 5 TEF | 1,00 | | | -- |
| 0025 | VTDD00124 | | NUT M8 DIN985 | 2,00 | | | -- |
| 0026 | LAFN00499 | | PIN SGANCIO RIBALT.CASS.COMPL | 1,00 | | | -- |
| 0027 | LAFN00131 | | BUSHING X LEVA ATT.CAVO SGAN.CASS | 1,00 | | | -- |
| 0028 | VTVT00075 | | SCREW TSCE UNI 5933 5X20 ZB | 1,00 | | | -- |
| 0029 | LAFN08192 | | DRAWER - | 1,00 | | | -- |
| 0030 | LAFN08199 | | BALLAST - | 1,00 | | | -- |
| 0031 | LAFN08219 | | ARM - | 1,00 | | | -- |
| 0032 | ABGO00041 | | VIBRATION DAMP. | 2,00 | | | -- |
| 0033 | VTDD00491 | | NUT M 6 TEF | 3,00 | | | -- |
| 0034 | VTRS04026 | | WASHER D. 6X18X2.38 | 3,00 | | | -- |
| 0035 | VTDD00482 | | NUT M 6 ZIN UNI 5588 | 1,00 | | | -- |
| 0036 | VTDD00124 | | NUT M8 DIN985 | 2,00 | | | -- |
| 0037 | LAFN00494 | | PIN ROTAZIONE CASSETTO TK1300 | 1,00 | | | -- |
| 0038 | LAFN00494 | | PIN ROTAZIONE CASSETTO TK1300 | 1,00 | | | -- |
| 0039 | MECI75801 | | MICROSWITCH A PISTONE (MS/10-Z15GC) | 1,00 | | | -- |
| 0040 | VTVT00527 | | SCREW TE FR 6X10 ZB ZIG. | 2,00 | | | -- |
| 0041 | LAFN08206 | | BRACKET - | 1,00 | | | -- |
| 0042 | VTDD00124 | | NUT M8 DIN985 | 1,00 | | | -- |
| 0043 | LAFN41006 | | LEVER SGANCIO | 1,00 | | | -- |



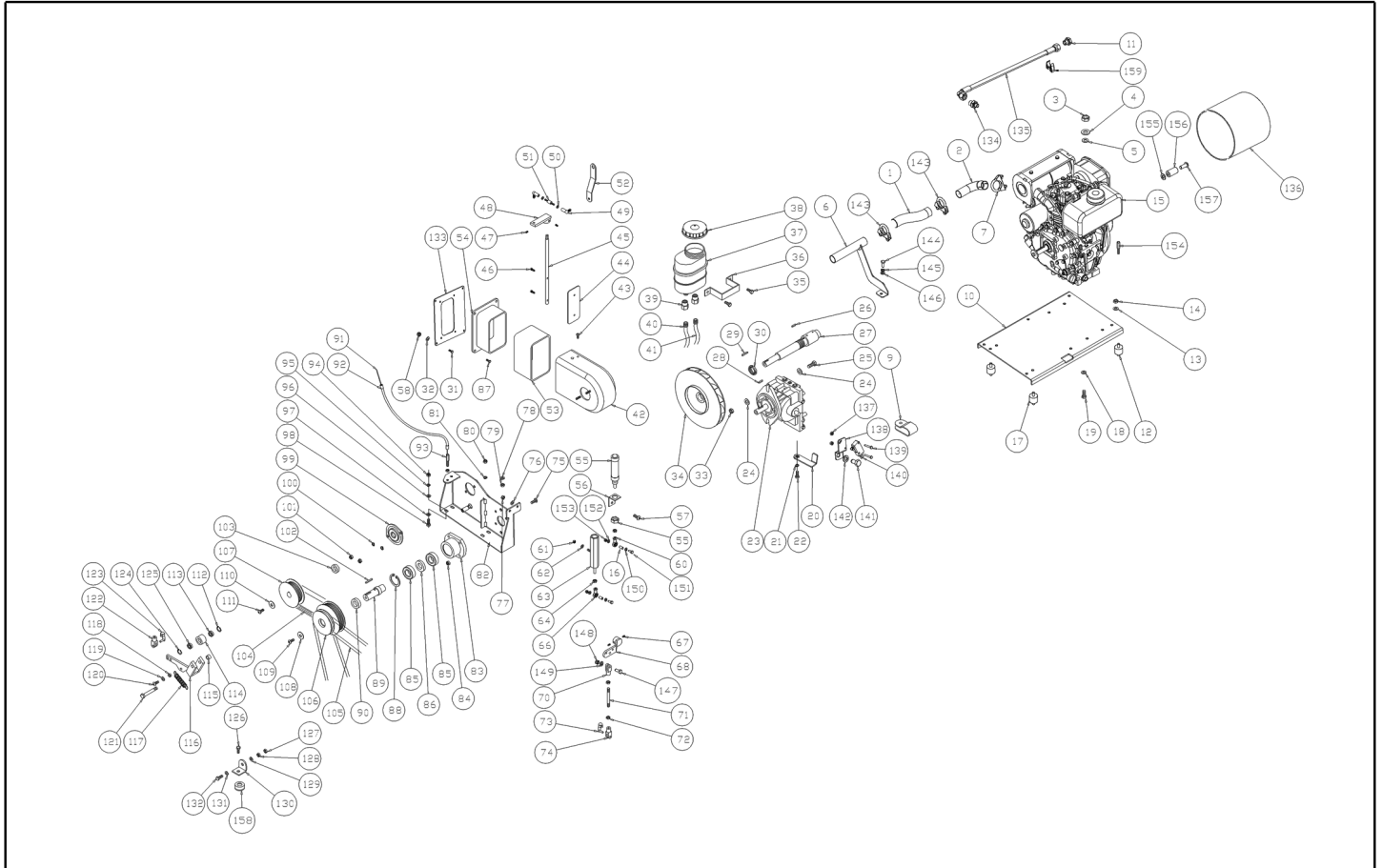
| Ref. K | Part n. | Part n. 2 | Description | Quantity | Validity | | Price |
|--------|-----------|-----------|------------------------------------|----------|----------|----|-------|
| | | | | | From | To | |
| 0044 | VTRS04026 | | WASHER D. 6X18X2.38 | 1,00 | | | -- |
| 0045 | VTVT12255 | | SCREW TCCE UNI 5931 6X25 ZB | 1,00 | | | -- |
| 0046 | MLML45109 | | SPRING ALZAFLAP TK1400 | 1,00 | | | -- |
| 0047 | VTVT06237 | | SCREW TCCE UNI 5931 6X20 ZB | 1,00 | | | -- |
| 0048 | LAFN00132 | | BUSHING X LEVA SGANCIO CASSETTO | 1,00 | | | -- |
| 0049 | LAFN08189 | | SUPPORT - | 1,00 | | | -- |
| 0050 | MPVR00009 | | BUSHING GLYCODUR GLY.PG 16-18-15F | 1,00 | | | -- |
| 0051 | MPVR00008 | | BUSHING GLYCODUR GLY.PG 20-23-20F | 2,00 | | | -- |
| 0052 | LAFN00489 | | PIN X BRACCIO CASSETTO TK1300 | 2,00 | | | -- |
| 0053 | VTRS00514 | | WASHER UNI 6593 10X30X2,5 ZB | 4,00 | | | -- |
| 0054 | VTVT63129 | | SCREW TE FR 8X16 ZB ZIGRINATE | 2,00 | | | -- |
| 0055 | VTRS00512 | | WASHER D. 8 X24 ZC. | 1,00 | | | -- |
| 0056 | LAFN08187 | | BLOCK - | 1,00 | | | -- |
| 0057 | ABGO00041 | | VIBRATION DAMP. | 2,00 | | | -- |
| 0058 | LAFN00488 | | PIN INFERIORE CILIND.TK1300 | 1,00 | | | -- |
| 0059 | VTRS00505 | | WASHER D.10 UNI 6592 | 2,00 | | | -- |
| 0060 | VTVT63129 | | SCREW TE FR 8X16 ZB ZIGRINATE | 1,00 | | | -- |
| 0061 | VTVT00455 | | SCREW TE 10X20 UNI5739 | 6,00 | | | -- |
| 0062 | CMCV00004 | | FORK UNI 1676 M16X1,5 + PERNO | 1,00 | | | -- |
| 0063 | VTVT75731 | | GRUB SCREW UNI 5923 6X5 | 1,00 | | | -- |
| 0064 | VTVT62920 | | SCREW TE FR 6X16 ZB ZIGRINATE | 2,00 | | | -- |
| 0065 | PIID00001 | | PISTON SOLLEV.CASS.POST.TK1300 | 1,00 | | | -- |
| 0066 | VTRS04026 | | WASHER D. 6X18X2.38 | 1,00 | | | -- |
| 0067 | VTRS00037 | | WASHER IN DAWTY 1/8 | 1,00 | | | -- |
| 0068 | TBAP00002 | | TUBE 3/16" RITORNO TK1300 | 1,00 | | | -- |
| 0069 | VTRS00037 | | WASHER IN DAWTY 1/8 | 1,00 | | | -- |
| 0070 | RCDS47107 | | SCREW FORATA 1/8" | 1,00 | | | -- |
| 0071 | VTRS00037 | | WASHER IN DAWTY 1/8 | 1,00 | | | -- |
| 0072 | TBAP00001 | | TUBE 3/16 MANDATA TK1300 | 1,00 | | | -- |
| 0073 | VTRS00037 | | WASHER IN DAWTY 1/8 | 1,00 | | | -- |
| 0074 | RCDS47107 | | SCREW FORATA 1/8" | 1,00 | | | -- |
| 0075 | LAFN41002 | | BUSHING | 2,00 | | | -- |
| 0076 | VTVT00005 | | SCREW TE M 5X 12 F/ROND.ZIGR | 2,00 | | | -- |
| 0077 | LAFN47126 | | BRACKET PORTA POMPA TK1400 ZICATO | 1,00 | | | -- |
| 0078 | PPEL00026 | | PUMP 12V | 1,00 | | | -- |
| 0079 | RCVR00081 | | REDUCTION X CENTRALINA IDRAUL.1400 | 1,00 | | | -- |
| 0080 | TBAP00001 | | TUBE 3/16 MANDATA TK1300 | 1,00 | | | -- |
| 0081 | VTRS00037 | | WASHER IN DAWTY 1/8 | 1,00 | | | -- |
| 0082 | RCDS47107 | | SCREW FORATA 1/8" | 1,00 | | | -- |
| 0083 | RCDS47107 | | SCREW FORATA 1/8" | 1,00 | | | -- |
| 0084 | VTRS00037 | | WASHER IN DAWTY 1/8 | 1,00 | | | -- |
| 0085 | TBAP00002 | | TUBE 3/16" RITORNO TK1300 | 1,00 | | | -- |
| 0086 | LAFN00500 | | PIN X BRACCIO PARALLELOG.1300 | 1,00 | | | -- |
| 0087 | RCVR00081 | | REDUCTION X CENTRALINA IDRAUL.1400 | 1,00 | | | -- |



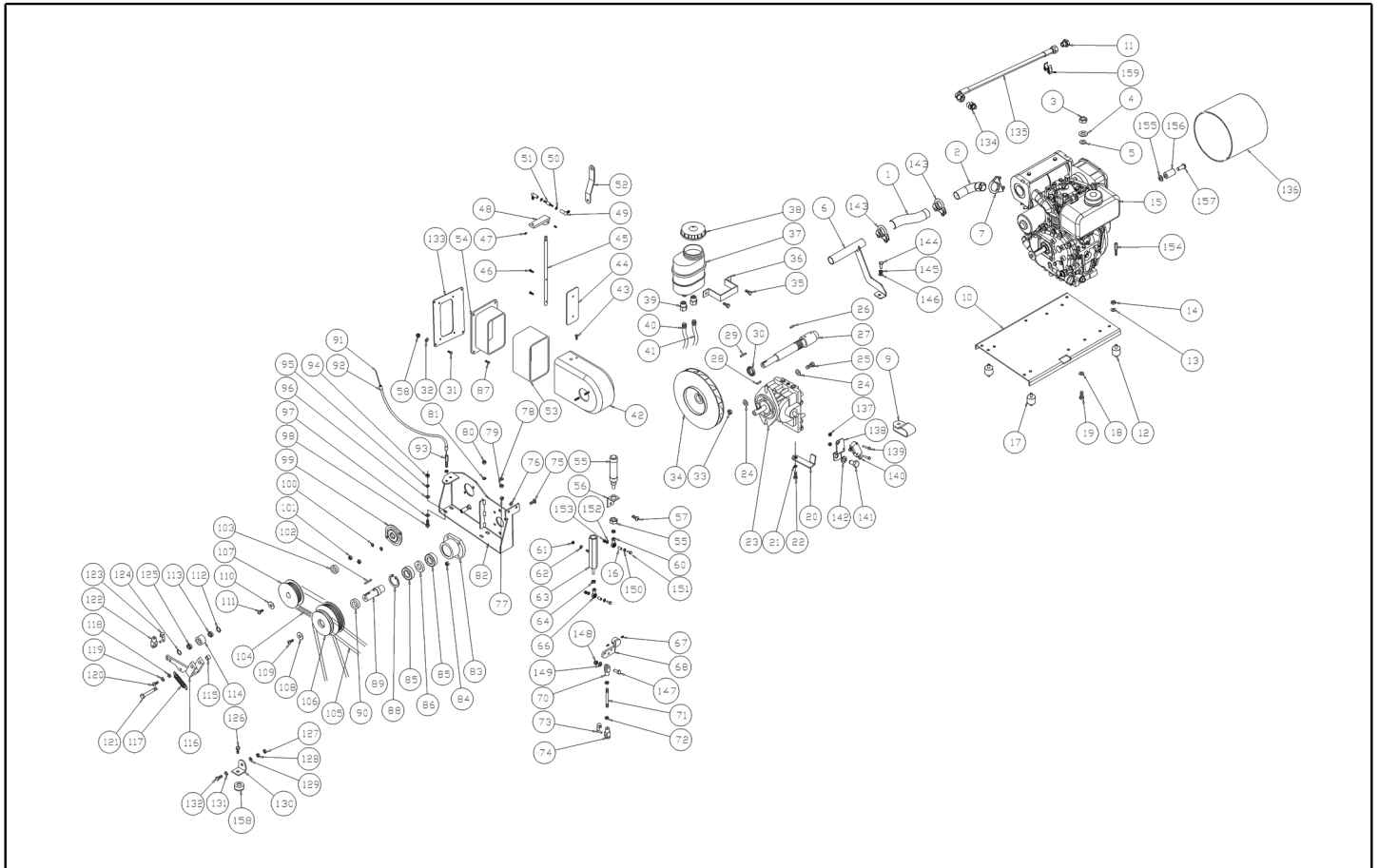
| Ref. K | Part n. | Part n. 2 | Description | Quantity | Validity | | Price |
|--------|-----------|-----------|-----------------------------|----------|------------|----|-------|
| | | | | | From | To | |
| 0088 | VTVT00447 | | SCREW TE 8X25 UNI5739 | 1,00 | | | -- |
| 0089 | VTRS00512 | | WASHER D. 8 X24 ZC. | 1,00 | | | -- |
| 0090 | VTVT09913 | | SCREW TCCE UNI 5931 6X16 ZB | 1,00 | | | -- |
| 0091 | VTRS00512 | | WASHER D. 8 X24 ZC. | 2,00 | | | -- |
| 0092 | GUVR00010 | | GASKET | 1,80 | | | -- |
| 0093 | VTVT45339 | | SCREW TBCE ISO 7380 5X16 ZB | 1,00 | 12/03/2020 | | -- |
| 0094 | MPVR12708 | | CLIP . | 1,00 | 12/03/2020 | | -- |
| 0095 | LAFN11500 | | BRACKET . | 1,00 | 12/03/2020 | | -- |
| 0096 | VTDD08171 | | NUT M 5 TEF | 1,00 | 12/03/2020 | | -- |
| 0097 | MPVR12287 | | TANK OIL | 1,00 | | | -- |



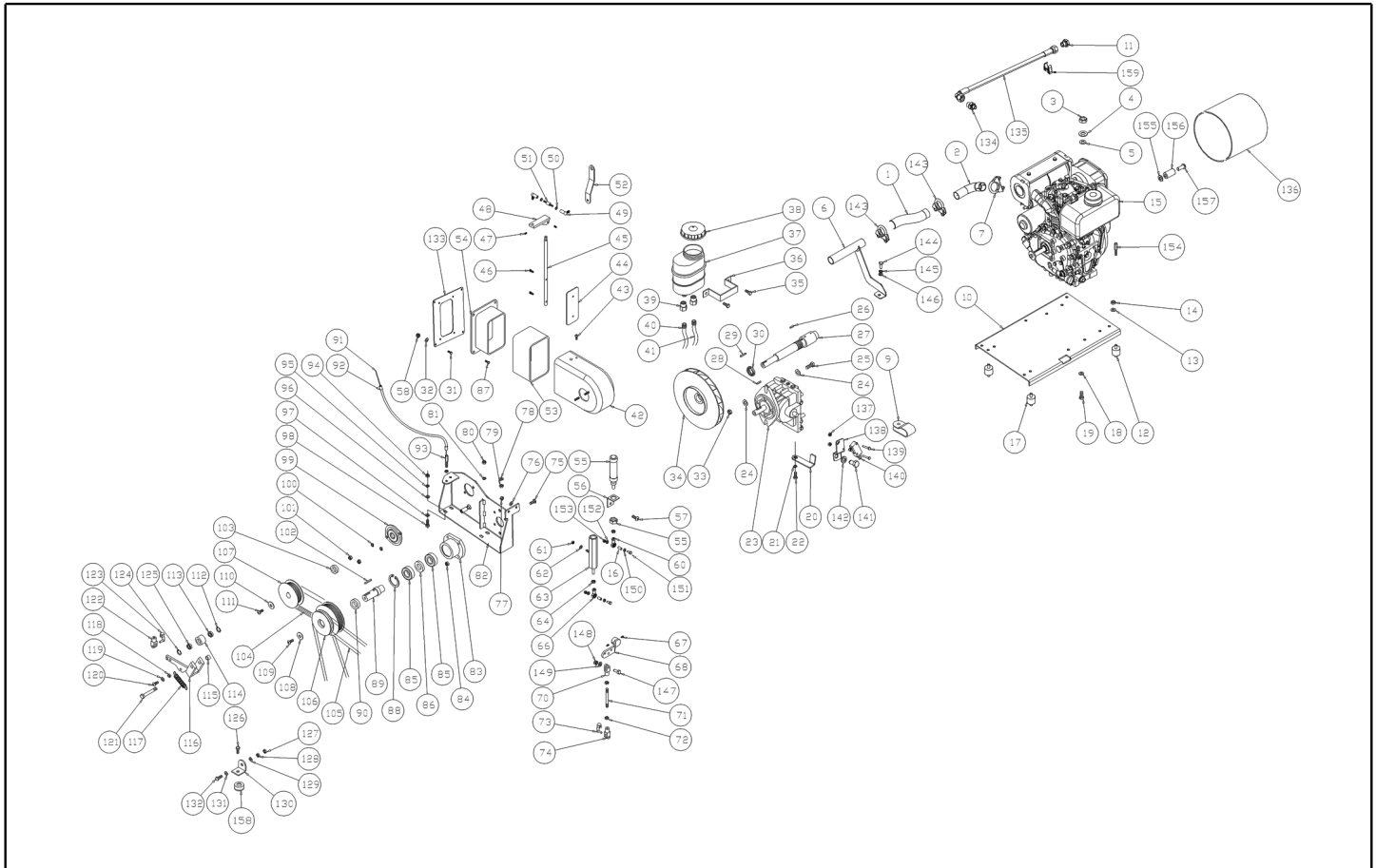
| Ref. K | Part n. | Part n. 2 | Description | Quantity | Validity | | Price |
|--------|-----------|-----------|-----------------------------------|----------|----------|----|-------|
| | | | | | From | To | |
| 0001 | TBFX00374 | | TUBE Di 30 | 0,17 | | | -- |
| 0002 | LAFN08132 | | SILENCER - | 1,00 | | | -- |
| 0003 | VTDD00124 | | NUT M8 DIN985 | 1,00 | | | -- |
| 0004 | VTRS01080 | | WASHER D. 8 GRW | 1,00 | | | -- |
| 0005 | VTRS00504 | | WASHER D. 8 ZC. UNI 6592 | 1,00 | | | -- |
| 0006 | LAFN08136 | | PIN - | 1,00 | | | -- |
| 0007 | LAFN02858 | | CLAMP D.32 | 1,00 | | | -- |
| 0009 | FSVR00002 | | CLAMP EKOFLEX 9 23-35 | 1,00 | | | -- |
| 0010 | LAFN08134 | | SUPPORT - | 1,00 | | | -- |
| 0011 | RCDS00002 | | CAP 1/4" X IMPIANTO IDRAULICO | 1,00 | | | -- |
| 0012 | ABGO00007 | | VIBRATION DAMP. MM 30X25 8X16 | 3,00 | | | -- |
| 0013 | VTRS01080 | | WASHER D. 8 GRW | 6,00 | | | -- |
| 0014 | VTDD00124 | | NUT M8 DIN985 | 6,00 | | | -- |
| 0015 | MODS00015 | | MOTOR DIESEL | 1,00 | | | -- |
| 0016 | LAFN03742 | | SPACER SILENZIATORE | 2,00 | | | -- |
| 0017 | ABGO00007 | | VIBRATION DAMP. MM 30X25 8X16 | 4,00 | | | -- |
| 0018 | VTRS00512 | | WASHER D. 8 X24 ZC. | 4,00 | | | -- |
| 0019 | VTVT00452 | | SCREW TE 8X 50 UNI 5739 | 4,00 | | | -- |
| 0020 | LAFN07257 | | LEVER BYPASS | 1,00 | | | -- |
| 0021 | VTRS01080 | | WASHER D. 8 GRW | 1,00 | | | -- |
| 0022 | VTVT00446 | | SCREW TE UNI 5739 8X20 ACC.8.8 | 1,00 | | | -- |
| 0023 | PPBP00048 | | PUMP 10 CC | 1,00 | | | -- |
| 0024 | VTRS00505 | | WASHER D.10 UNI 6592 | 4,00 | | | -- |
| 0025 | VTVT00459 | | SCREW TE M 10X40 ZINC. UNI 5739 | 2,00 | | | -- |
| 0026 | VTVR01032 | | KEY Tipo B 4,76x4,76x38 | 1,00 | | | -- |
| 0027 | ALTR75830 | | FAN SHAFT | 1,00 | | | -- |
| 0028 | VTVR16617 | | KEY 6X 6X30 UNI 6604 | 1,00 | | | -- |
| 0029 | VTVR16617 | | KEY 6X 6X30 UNI 6604 | 1,00 | | | -- |
| 0030 | VTVT00114 | | RING NUT AUTOBLOK M30X1,5 GUK | 1,00 | | | -- |
| 0031 | VTVT62920 | | SCREW TE FR 6X16 ZB ZIGRINATE | 2,00 | | | -- |
| 0032 | VTRS04026 | | WASHER D. 6X18X2.38 | 4,00 | | | -- |
| 0033 | VTDD00042 | | NUT AUT.M10 UNI7474 | 2,00 | | | -- |
| 0034 | VEVR00003 | | IMPELLER D.220X35 16 PALE TK1000S | 1,00 | | | -- |
| 0035 | VTVT00527 | | SCREW TE FR 6X10 ZB ZIG. | 2,00 | | | -- |
| 0036 | LAFN00306 | | CLAMP FISS.SERBAT.OLIO 1000S | 1,00 | | | -- |
| 0037 | MPVR00015 | | TANK X OLIO CON FILTRO TK1000S | 1,00 | | | -- |
| 0038 | MPVR00016 | | CAP Hydraulik tank | 1,00 | | | -- |
| 0039 | RCDS00001 | | | 2,00 | | | -- |
| 0040 | TBBP00436 | | TUBE L=490 | 1,00 | | | -- |
| 0041 | TBBP87182 | | TUBE BASSA PRESSIONE L.670 | 1,00 | | | -- |
| 0042 | MPVR00194 | | SCROLL TK1000S | 1,00 | | | -- |
| 0043 | VTVT75726 | | SCREW TBCE ISO 7380 6X16 ZB | 1,00 | | | -- |
| 0044 | LAFN01072 | | VALVE A FARFAL X COCLEA TK100S | 1,00 | | | -- |
| 0045 | ALTR00017 | | SHAFT FARFALLA TK1000S | 1,00 | | | -- |



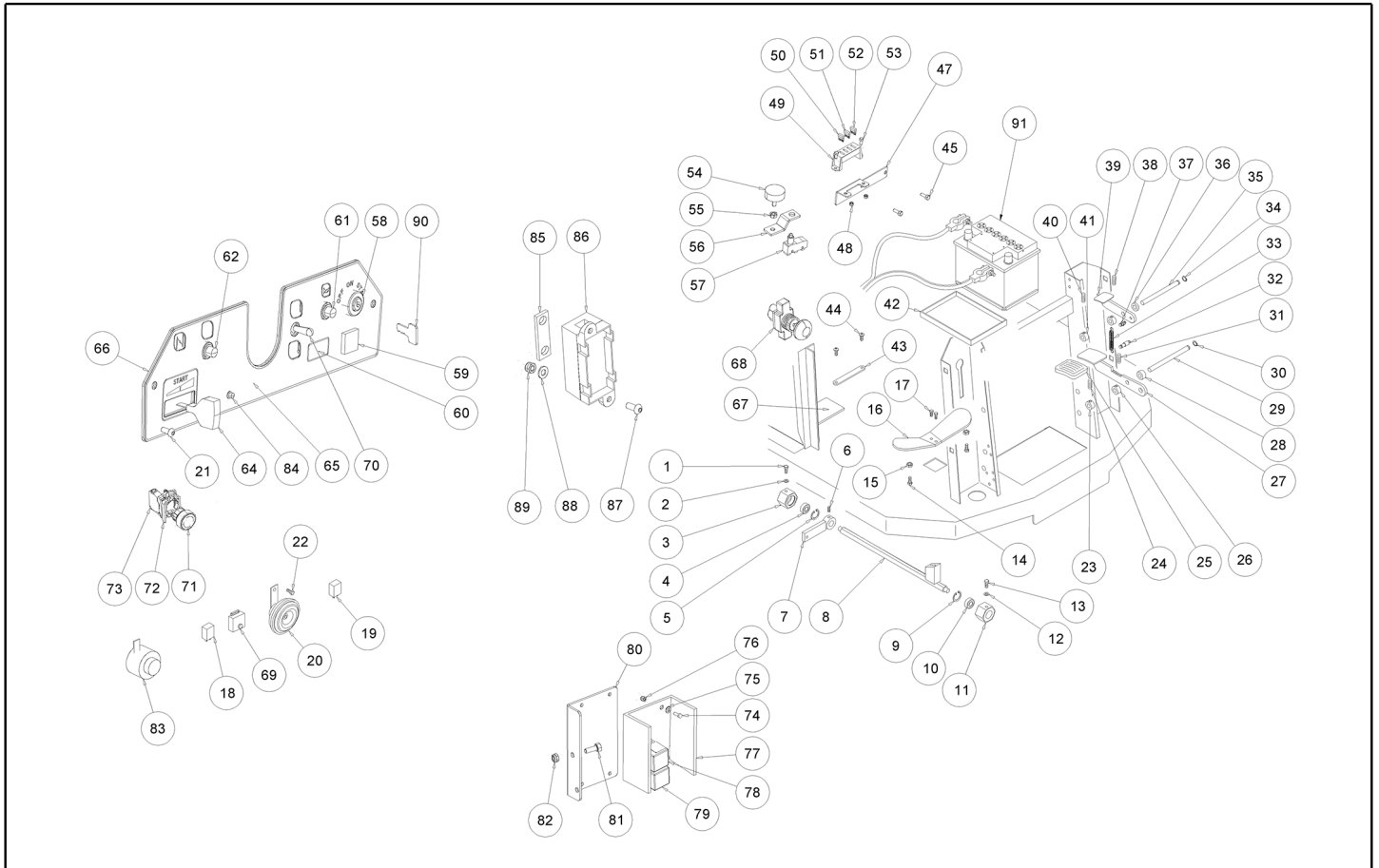
| Ref. K | Part n. | Part n. 2 | Description | Quantity | Validity | | Price |
|--------|-----------|-----------|------------------------------------|----------|----------|----|-------|
| | | | | | From | To | |
| 0046 | VTVT17639 | | SCREW TCCE UNI 5931 5X10 ZB | 2,00 | | | -- |
| 0047 | VTVT00052 | | GRUB SCREW UNI 5927 8X8 CON PUNTA | 2,00 | | | -- |
| 0048 | LAFN00714 | | ARM APERTURA FARFAL.1000S ZN | 1,00 | | | -- |
| 0049 | VTVR45280 | | TOGGLE-JOINT M 6 | 4,00 | | | -- |
| 0050 | VTDD00482 | | NUT M 6 ZIN UNI 5588 | 1,00 | | | -- |
| 0051 | LAFN00467 | | PIN SNODO FARFAL.ASPIRAZ. | 1,00 | | | -- |
| 0052 | LAFN00351 | | LEVER COMANDO APERT.FARFAL.ZINC | 1,00 | | | -- |
| 0053 | MPVR06084 | | RUBBER - | 1,00 | | | -- |
| 0054 | LAFN00303 | | FLANGE FISSAGGIO COCLEA TK1000S | 1,00 | | | -- |
| 0055 | VTVT00118 | | CYLINDER MICROCILINDRO TK 1000S | 1,00 | | | -- |
| 0056 | LAFN00713 | | BRACKET FISSAG.CILIND.PNEUMAT.ZN | 1,00 | | | -- |
| 0057 | VTVT75727 | | SCREW TBCE ISO 7380 8X25 ZB | 1,00 | | | -- |
| 0058 | VTDD00491 | | NUT M 6 TEF | 4,00 | | | -- |
| 0060 | VTVR00578 | | HEAD - | 1,00 | | | -- |
| 0061 | VTDD00124 | | NUT M8 DIN985 | 1,00 | | | -- |
| 0062 | VTRS00504 | | WASHER D. 8 ZC. UNI 6592 | 1,00 | | | -- |
| 0063 | PMVR00191 | | CYLINDER STABILIZZATORE 1000S COMP | 1,00 | | | -- |
| 0064 | VTDD00482 | | NUT M 6 ZIN UNI 5588 | 1,00 | | | -- |
| 0066 | VTVR00578 | | HEAD - | 1,00 | | | -- |
| 0067 | VTVT00047 | | GRUB SCREW UNI 5923 8X8 | 2,00 | | | -- |
| 0068 | LAFN85725 | | ARM SBLOCCO POMPA TK1000S ZIN | 1,00 | | | -- |
| 0070 | CMCV00001 | | FORK UNI 1676 M8X16 | 1,00 | | | -- |
| 0071 | LAFN00470 | | PIN DI COLLEG.POMPA A PED.DIR | 1,00 | | | -- |
| 0072 | VTDD00483 | | NUT M 8 ZIN UNI 5588 | 1,00 | | | -- |
| 0073 | CMCV75718 | | CLIP UNI 1676 M8x16 | 1,00 | | | -- |
| 0074 | CMCV00001 | | FORK UNI 1676 M8X16 | 1,00 | | | -- |
| 0075 | VTVT63134 | | SCREW M 8X25 TSPEI ZC UNI 5933 | 4,00 | | | -- |
| 0076 | VTRS00504 | | WASHER D. 8 ZC. UNI 6592 | 1,00 | | | -- |
| 0077 | VTDD00124 | | NUT M8 DIN985 | 1,00 | | | -- |
| 0078 | VTRS00504 | | WASHER D. 8 ZC. UNI 6592 | 1,00 | | | -- |
| 0079 | VTDD00124 | | NUT M8 DIN985 | 1,00 | | | -- |
| 0080 | VTDD00124 | | NUT M8 DIN985 | 1,00 | | | -- |
| 0081 | VTRS01080 | | WASHER D. 8 GRW | 1,00 | | | -- |
| 0082 | LAFN08135 | | SUPPORT - | 1,00 | | | -- |
| 0083 | MFVR85824 | | FLANGE FISS.CENTRAL.IDRAUL.1000S | 1,00 | | | -- |
| 0084 | VTDD00124 | | NUT M8 DIN985 | 4,00 | | | -- |
| 0085 | CUVR86893 | | BEARING 6005 2RS | 2,00 | | | -- |
| 0086 | LAFN87093 | | SPACER CUSCINETTO | 1,00 | | | -- |
| 0087 | VTVT01109 | | SCREW TE M 6X 10 ZC. UNI 5739 | 4,00 | | | -- |
| 0088 | VTAE85823 | | SEEGER INTERNO DIN 472 D.47 | 1,00 | | | -- |
| 0089 | ALTR85825 | | SHAFT TK1000S TK21001008 | 1,00 | | | -- |
| 0090 | LAFN85821 | | BUSHING X PULEGGIA 2 GOLE TIPO J | 1,00 | | | -- |
| 0091 | CMCV00451 | | CABLE STEEL MAIN BRUSH LIFTING | 1,00 | | | -- |
| 0092 | CMCV38615 | | SHEATH VIPLAST 3.5X6 X7 L. 315 | 1,00 | | | -- |



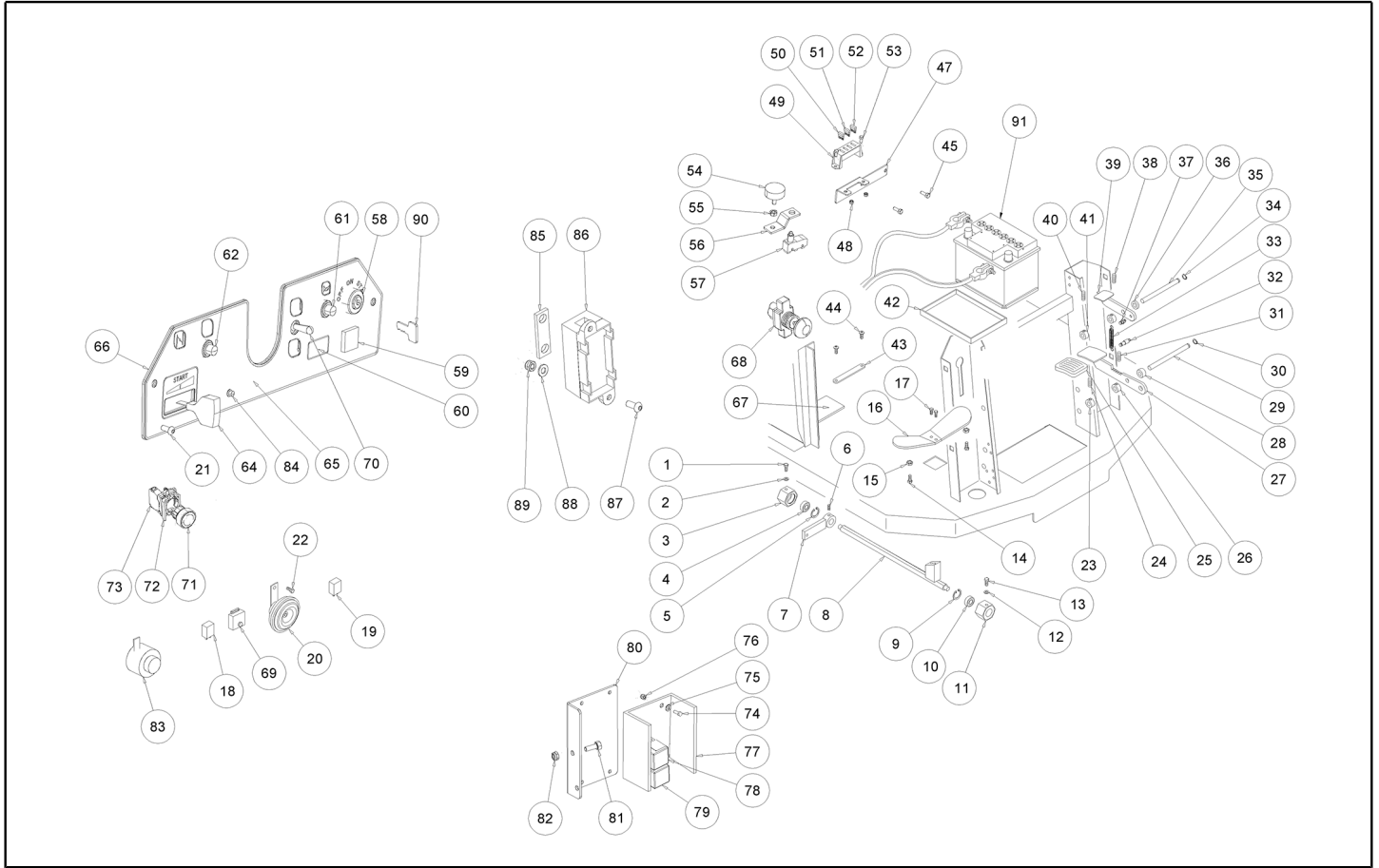
| Ref. K | Part n. | Part n. 2 | Description | Quantity | Validity | | Price |
|--------|-----------|-----------|-----------------------------------|----------|----------|----|-------|
| | | | | | From | To | |
| 0093 | CMCV75723 | | REGISTER D.7 | 1,00 | | | -- |
| 0094 | VTDD00124 | | NUT M8 DIN985 | 1,00 | | | -- |
| 0095 | VTRS01080 | | WASHER D. 8 GRW | 1,00 | | | -- |
| 0096 | VTRS00504 | | WASHER D. 8 ZC. UNI 6592 | 1,00 | | | -- |
| 0097 | VTRS00504 | | WASHER D. 8 ZC. UNI 6592 | 1,00 | | | -- |
| 0098 | VTVT00447 | | SCREW TE 8X25 UNI5739 | 4,00 | | | -- |
| 0099 | CUVR58861 | | BEARING SBPFL 204 BK | 1,00 | | | -- |
| 0100 | VTRS00504 | | WASHER D. 8 ZC. UNI 6592 | 2,00 | | | -- |
| 0101 | VTDD00124 | | NUT M8 DIN985 | 2,00 | | | -- |
| 0102 | VTVR16617 | | KEY 6X 6X30 UNI 6604 | 1,00 | | | -- |
| 0103 | LAFN00099 | | SPACER PULEGGIA MOTORE VENTOLA | 1,00 | | | -- |
| 0104 | MTCG75777 | | BELT POLY 660-260 J 10 | 1,00 | | | -- |
| 0105 | MTCG00139 | | BELT XPZ ESEC.6T 6B LP825 | 1,00 | | | -- |
| 0106 | MTPL85900 | | PULLEY 2 GOLE X CINGH.POLY 660J | 1,00 | | | -- |
| 0107 | MTPL86537 | | PULLEY 1 GOLA X CINGH.POLY 660J | 1,00 | | | -- |
| 0108 | VTRS00513 | | WASHER UNI 6593 8X32X2,5 ZB | 1,00 | | | -- |
| 0109 | VTVT45395 | | SCREW TBCE ISO 7380 8X10 ZB | 1,00 | | | -- |
| 0110 | VTRS00513 | | WASHER UNI 6593 8X32X2,5 ZB | 1,00 | | | -- |
| 0111 | VTVT75724 | | SCREW TBCE ISO 7380 8X22 ZB | 1,00 | | | -- |
| 0112 | VTAE13513 | | CIRCLIP D. 26 UNI 7437 | 1,00 | | | -- |
| 0113 | CUVR86373 | | BEARING 6000 2RS | 1,00 | | | -- |
| 0114 | MTPL47061 | | ROLLER TENDICINGHIA TK1000S | 1,00 | | | -- |
| 0115 | LAFN47060 | | SPACER RULLINO TENDICINGHIA | 1,00 | | | -- |
| 0116 | LAFN00254 | | TRIGGER RULLO TENDIC TK1000S ZINC | 1,00 | | | -- |
| 0117 | MLML00015 | | SPRING RIT.BR.LAT.D.19X3.25X57zb | 1,00 | | | -- |
| 0118 | LAFN00100 | | BUSHING LEVA TENDICINCHIA TK1000S | 1,00 | | | -- |
| 0119 | VTRS00504 | | WASHER D. 8 ZC. UNI 6592 | 1,00 | | | -- |
| 0120 | VTVT00017 | | SCREW TE UNI 5739 8X35 ZB | 1,00 | | | -- |
| 0121 | VTVR00035 | | PIN M6X45 CH.12 | 1,00 | | | -- |
| 0122 | CMCV00001 | | FORK UNI 1676 M8X16 | 1,00 | | | -- |
| 0123 | CMCV75718 | | CLIP UNI 1676 M8X16 | 1,00 | | | -- |
| 0124 | VTAE13513 | | CIRCLIP D. 26 UNI 7437 | 1,00 | | | -- |
| 0125 | CUVR86373 | | BEARING 6000 2RS | 1,00 | | | -- |
| 0126 | VTVT85116 | | SCREW AUTOF.TE FR 6,3X19 ZB | 1,00 | | | -- |
| 0127 | VTDD00483 | | NUT M 8 ZIN UNI 5588 | 1,00 | | | -- |
| 0128 | VTDD00483 | | NUT M 8 ZIN UNI 5588 | 1,00 | | | -- |
| 0129 | VTRS00504 | | WASHER D. 8 ZC. UNI 6592 | 1,00 | | | -- |
| 0130 | LAFN48831 | | BRACKET FISSAGGIO MOLLA ZINCATO | 1,00 | | | -- |
| 0131 | VTRS00504 | | WASHER D. 8 ZC. UNI 6592 | 1,00 | | | -- |
| 0132 | VTVT00017 | | SCREW TE UNI 5739 8X35 ZB | 1,00 | | | -- |
| 0133 | LAFN08173 | | SHEET METAL PA. TK1000 | 1,00 | | | -- |
| 0134 | RCVR00755 | | NIPPLE M-M | 1,00 | | | -- |
| 0135 | TBBP00455 | | TUBE - | 1,00 | | | -- |
| 0136 | TBFX33835 | | HOSE FLEX D.180 ASPIREX PVC GR | 0,17 | | | -- |



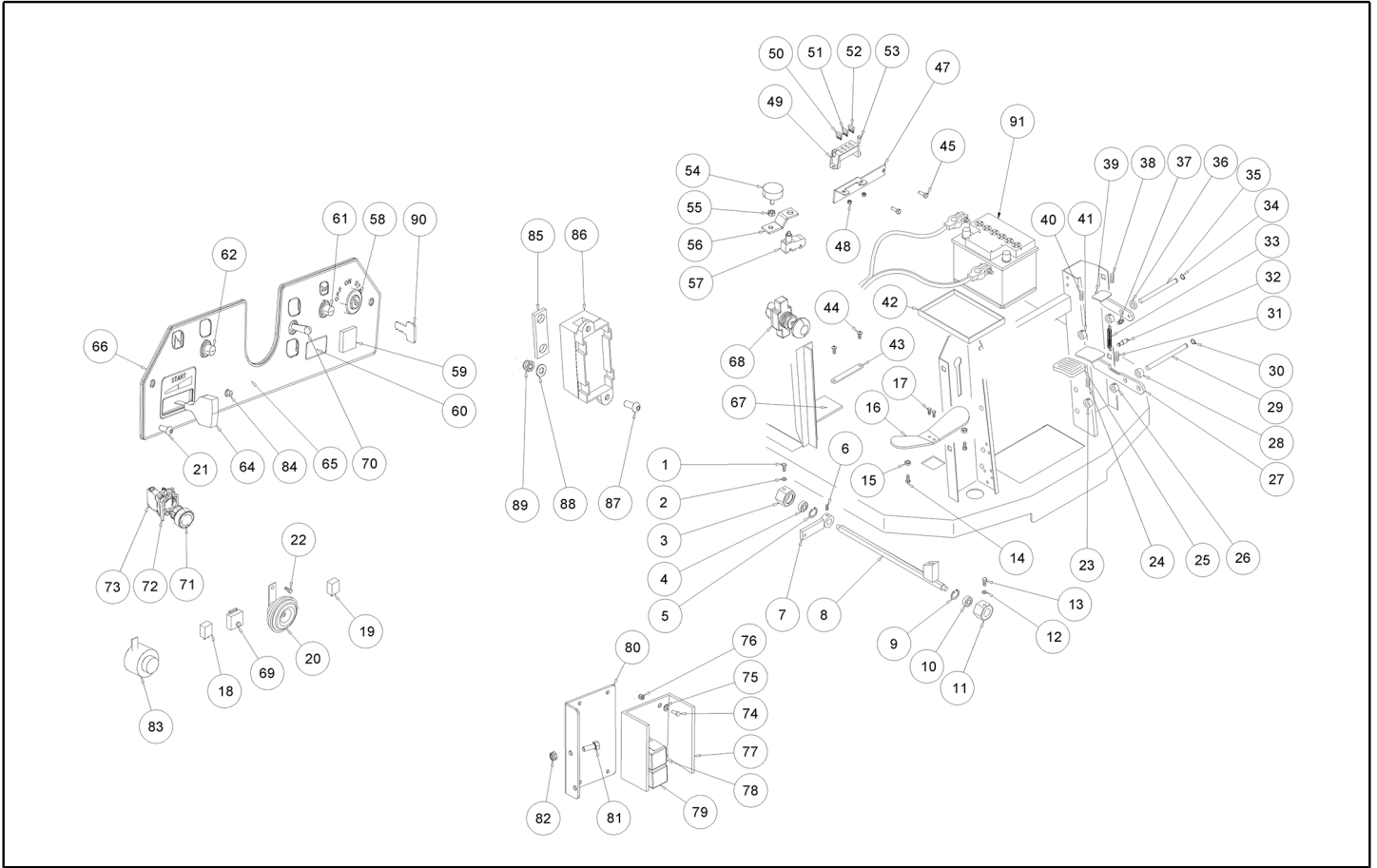
| Ref. K | Part n. | Part n. 2 | Description | Quantity | Validity | | Price |
|--------|-----------|-----------|----------------------------------|----------|----------|----|-------|
| | | | | | From | To | |
| 0137 | VTDD00001 | | NUT UNI 5588 M3 ZB | 2,00 | | | -- |
| 0138 | LAFN09390 | | BRACKET - | 1,00 | | | -- |
| 0139 | VTVT00021 | | SCREW TE UNI 5739 3X25 ZB | 2,00 | | | -- |
| 0140 | MECI00114 | | MICROSWITCH | 1,00 | | | -- |
| 0141 | VTVT01110 | | SCREW TE 8X16 UNI5739 | 1,00 | | | -- |
| 0142 | VTRS01080 | | WASHER D. 8 GRW | 1,00 | | | -- |
| 0143 | LAFN08229 | | HOSE COLLAR D.35 | 2,00 | | | -- |
| 0144 | VTVT00446 | | SCREW TE UNI 5739 8X20 ACC.8.8 | 1,00 | | | -- |
| 0145 | VTRS01080 | | WASHER D. 8 GRW | 1,00 | | | -- |
| 0146 | VTRS00504 | | WASHER D. 8 ZC. UNI 6592 | 1,00 | | | -- |
| 0147 | VTVT00448 | | SCREW TE 8X30 UNI5739 | 1,00 | | | -- |
| 0148 | VTDD00124 | | NUT M8 DIN985 | 1,00 | | | -- |
| 0149 | VTRS00504 | | WASHER D. 8 ZC. UNI 6592 | 1,00 | | | -- |
| 0150 | VTRS00503 | | WASHER D. 6 UNI 6592 | 2,00 | | | -- |
| 0151 | VTVT00247 | | | 2,00 | | | -- |
| 0152 | VTRS00503 | | WASHER D. 6 UNI 6592 | 2,00 | | | -- |
| 0153 | VTDD00491 | | NUT M 6 TEF | 2,00 | | | -- |
| 0154 | CMCV02396 | | REGISTER CH. 8X 6MAX30 | 1,00 | | | -- |
| 0155 | VTRS01079 | | WASHER D. 6 GROWER | 4,00 | | | -- |
| 0156 | LAFN00092 | | BUSHING FISSAGGIO CHIAVE SBLOCCO | 4,00 | | | -- |
| 0157 | VTVT47014 | | SCREW TBCE ISO 7380 6X30 ZB | 4,00 | | | -- |
| 0158 | LAFN06832 | | WASHER BLOCCA INGRANAGGIO | 1,00 | | | -- |
| 0159 | FSVR00024 | | HOSE COLLAR | 1,00 | | | -- |



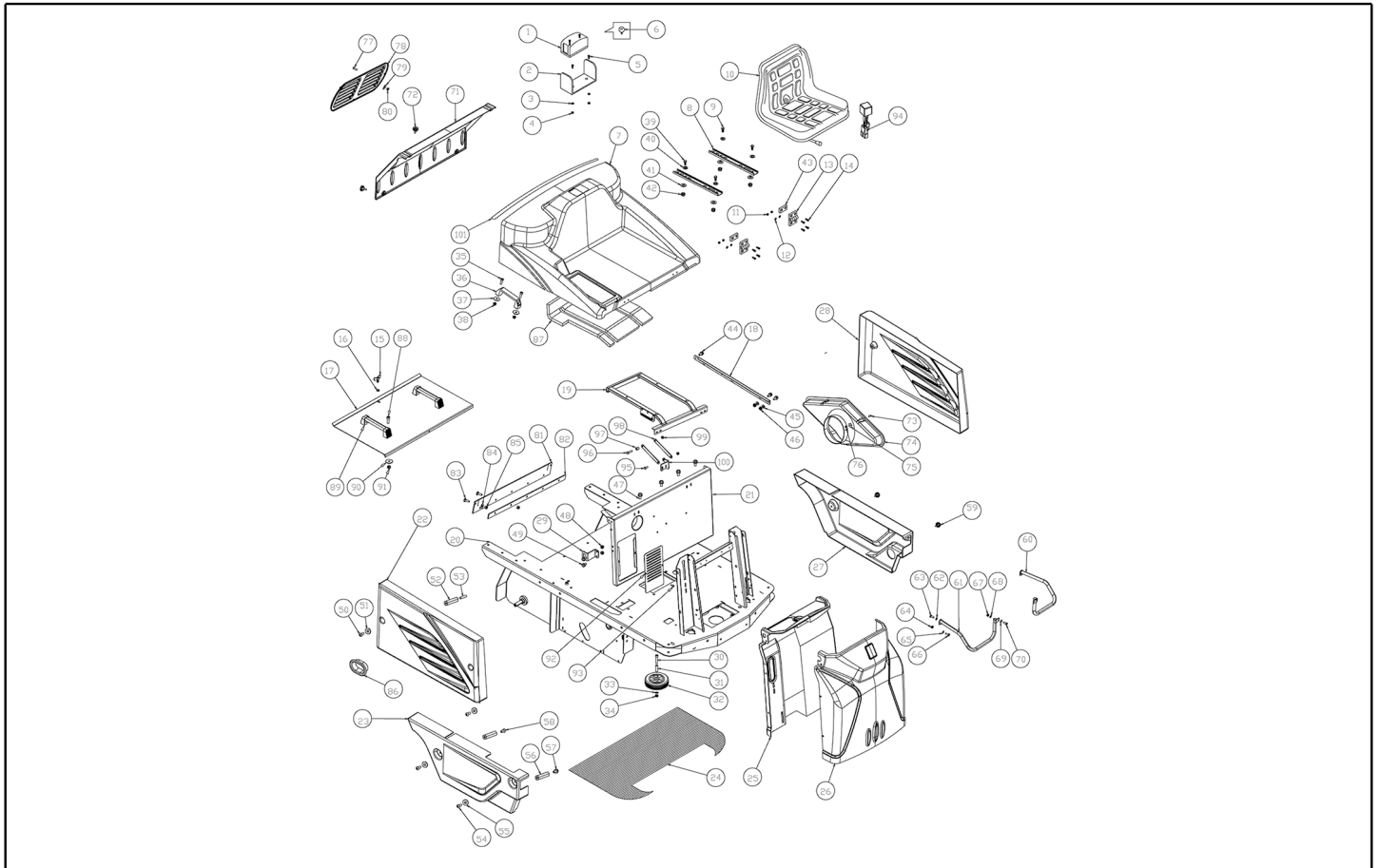
| Ref. K | Part n. | Part n. 2 | Description | Quantity | Validity | | Price |
|--------|-----------|-----------|-------------------------------------|----------|----------|----|-------|
| | | | | | From | To | |
| 0001 | VTVT45395 | | SCREW TBCE ISO 7380 8X10 ZB | 1,00 | | | -- |
| 0002 | VTRS00504 | | WASHER D. 8 ZC. UNI 6592 | 1,00 | | | -- |
| 0003 | LAFN00710 | | SUPPORT TRASMISSIONE ACCELERATORE | 1,00 | | | -- |
| 0004 | CUVR86373 | | BEARING 6000 2RS | 1,00 | | | -- |
| 0005 | VTAE13513 | | CIRCLIP D. 26 UNI 7437 | 1,00 | | | -- |
| 0006 | VTVT00481 | | GRUB SCREW UNI 5927 8X10 CON PUNTA | 1,00 | | | -- |
| 0007 | LAFN00711 | | ARM SELEZIONE DIREZ.1000S ZN | 1,00 | | | -- |
| 0008 | ALTR00020 | | SHAFT CON BLOCCHE.T.X SELE.DIREZ | 1,00 | | | -- |
| 0009 | VTAE13513 | | CIRCLIP D. 26 UNI 7437 | 1,00 | | | -- |
| 0010 | CUVR86373 | | BEARING 6000 2RS | 1,00 | | | -- |
| 0011 | LAFN00710 | | SUPPORT TRASMISSIONE ACCELERATORE | 1,00 | | | -- |
| 0012 | VTRS00504 | | WASHER D. 8 ZC. UNI 6592 | 1,00 | | | -- |
| 0013 | VTVT45395 | | SCREW TBCE ISO 7380 8X10 ZB | 1,00 | | | -- |
| 0014 | VTVT00447 | | SCREW TE 8X25 UNI5739 | 2,00 | | | -- |
| 0015 | VTDD00483 | | NUT M 8 ZIN UNI 5588 | 2,00 | | | -- |
| 0016 | LAFN00707 | | PEDAL SELEZ.DIREZ.TK1000 VERN. | 1,00 | | | -- |
| 0017 | VTVT45395 | | SCREW TBCE ISO 7380 8X10 ZB | 2,00 | | | -- |
| 0018 | MERL00012 | | SWITCH RELAY 12V | 1,00 | | | -- |
| 0019 | MERL00012 | | SWITCH RELAY 12V | 1,00 | | | -- |
| 0020 | MEVR33429 | | KLAXON K100/Y 1A 12V | 1,00 | | | -- |
| 0021 | VTVT00659 | | SCREW TC+ M. 4-15 | 8,00 | | | -- |
| 0022 | VTVT85116 | | SCREW AUTOF.TE FR 6,3X19 ZB | 1,00 | | | -- |
| 0023 | LAFN47030 | | BUSHING FISS.PEDALE FRENO FORATA | 1,00 | | | -- |
| 0024 | VTVT75731 | | GRUB SCREW UNI 5923 6X5 | 1,00 | | | -- |
| 0025 | MPVR45096 | | PEDAL COVER GRANDE V1021 | 1,00 | | | -- |
| 0026 | LAFN47030 | | BUSHING FISS.PEDALE FRENO FORATA | 1,00 | | | -- |
| 0027 | LAFN00686 | | PEDAL FRENO TK1000 ZINCATO | 1,00 | | | -- |
| 0028 | LAFN47019 | | BUSHING FISSAGGIO PEDALE FRENO | 1,00 | | | -- |
| 0029 | LAFN47036 | | PIN FISS.PEDALE FRENO+ALZAF.L. | 1,00 | | | -- |
| 0030 | VTAE87276 | | SEEGER EXT. D10 DIN471 | 1,00 | | | -- |
| 0031 | VTVT75731 | | GRUB SCREW UNI 5923 6X5 | 1,00 | | | -- |
| 0032 | LAFN47035 | | PIN CH.10 H.26 AT TACCO MOLLA | 1,00 | | | -- |
| 0033 | MLML75960 | | SPRING TRAZIONE TK D.8X1X29 ZB | 1,00 | | | -- |
| 0034 | VTAE87276 | | SEEGER EXT. D10 DIN471 | 1,00 | | | -- |
| 0035 | LAFN47031 | | PIN PEDALE BLOCCO FRENO 1000 | 1,00 | | | -- |
| 0036 | LAFN47033 | | BUSHING FISSAGGIO PERNO PEDALI | 1,00 | | | -- |
| 0037 | LAFN47029 | | PIN CH.10 H.16 ATTACCO MOLLA | 1,00 | | | -- |
| 0038 | VTVT75731 | | GRUB SCREW UNI 5923 6X5 | 1,00 | | | -- |
| 0039 | LAFN47032 | | PEDAL BLOCCO FRENO TK1000 ZINC | 1,00 | | | -- |
| 0040 | VTVT75731 | | GRUB SCREW UNI 5923 6X5 | 1,00 | | | -- |
| 0041 | LAFN47030 | | BUSHING FISS.PEDALE FRENO FORATA | 2,00 | | | -- |
| 0042 | LAFN00232 | | CONTAINER PORTABATT.TK1000S VERNIC. | 1,00 | | | -- |
| 0043 | LAFN87142 | | BRACKET BILANCERE ZINCATA | 1,00 | | | -- |
| 0044 | VTVT75725 | | SCREW TBCE ISO 7380 6X10 ZB | 2,00 | | | -- |



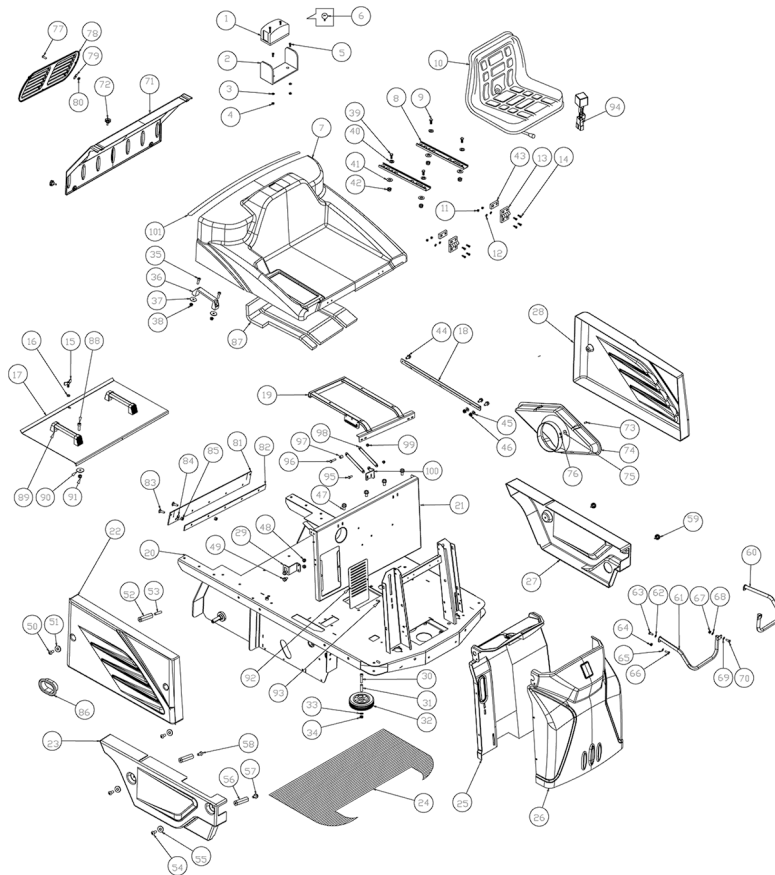
| Ref. K | Part n. | Part n. 2 | Description | Quantity | Validity | | Price |
|--------|-----------|-----------|-------------------------------------|----------|----------|----|-------|
| | | | | | From | To | |
| 0045 | VTVT00245 | | SCREW TE M6X30 UNI 5739 | 2,00 | | | -- |
| 0047 | LAFN08183 | | BRACKET - | 1,00 | | | -- |
| 0048 | VTDD04368 | | NUT M 4 ZIN UNI 5588 | 2,00 | | | -- |
| 0049 | MEVR00030 | | FUSE-HOLDER 4 VIE COPERCHIO TRAS. | 1,00 | | | -- |
| 0050 | MEVR01133 | | FUSE 15A 32V | 1,00 | | | -- |
| 0051 | MEVR01316 | | FUSE A LAMA 10 A. 32V | 1,00 | | | -- |
| 0052 | MEVR01316 | | FUSE A LAMA 10 A. 32V | 1,00 | | | -- |
| 0053 | VTVT00003 | | SCREW TE M 4X 12 ZC. UNI 5739 | 2,00 | | | -- |
| 0054 | ABGO00026 | | VIBRATION DAMP. | 2,00 | | | -- |
| 0055 | VTDD10776 | | NUT M 8 X1 UNI 5588 | 4,00 | | | -- |
| 0056 | LAFN07862 | | BRACKET - | 1,00 | | | -- |
| 0057 | MECI75801 | | MICROSWITCH A PISTONE (MS/10-Z15GC) | 1,00 | | | -- |
| 0058 | MECI87180 | | SWITCH A CHIAVE | 1,00 | | | -- |
| 0059 | MEVR00036 | | WARN-LIGHT VERDE NEUTRA | 1,00 | | | -- |
| 0060 | MESB00010 | | HOUR-COUNTER CURTIS | 1,00 | | | -- |
| 0061 | MEVR85330 | | BUTTON - | 1,00 | | | -- |
| 0062 | MEVR85330 | | BUTTON - | 1,00 | | | -- |
| 0064 | CMCV75739 | | ACCELERATOR TK S | 1,00 | | | -- |
| 0065 | ETET01799 | | LABEL - | 1,00 | | | -- |
| 0066 | LAFN08205 | | BOARD - | 1,00 | | | -- |
| 0067 | MPVR00739 | | RUBBER PARAPOLVERE CILIND.STABIL | 1,00 | | | -- |
| 0068 | MECI00571 | | BUTTON EMERGENCY BL.SB 1250 | 1,00 | | | -- |
| 0069 | MECE00476 | | BOARD 20W | 1,00 | | | -- |
| 0070 | MECI00573 | | SELECTOR - | 1,00 | | | -- |
| 0071 | MECI00523 | | BUTTON WHITE | 1,00 | | | -- |
| 0072 | MECI00520 | | SMALL BASKET FIX TO FIX CONTACT | 1,00 | | | -- |
| 0073 | MECI00517 | | CONTACT NO 3-4 | 1,00 | | | -- |
| 0074 | VTVT00003 | | SCREW TE M 4X 12 ZC. UNI 5739 | 2,00 | | | -- |
| 0075 | VTRS00501 | | WASHER D. 4 0.232 UNI 6592 | 2,00 | | | -- |
| 0076 | VTDD04369 | | NUT M 4 TEF UNI 7473 | 2,00 | | | -- |
| 0077 | MECE00596 | | BOARD HOPPER LIFT 1280 | 1,00 | | | -- |
| 0078 | MERL00012 | | SWITCH RELAY 12V | 1,00 | | | -- |
| 0079 | MERL00012 | | SWITCH RELAY 12V | 1,00 | | | -- |
| 0080 | LAFN09384 | | SUPPORT - | 1,00 | | | -- |
| 0081 | VTVT62920 | | SCREW TE FR 6X16 ZB ZIGRINATE | 2,00 | | | -- |
| 0082 | VTDD00491 | | NUT M 6 TEF | 2,00 | | | -- |
| 0083 | MEVR02013 | | BUZZER - | 1,00 | | | -- |
| 0084 | MEVR02101 | | LED - | 1,00 | | | -- |
| 0085 | MEVR01925 | | FUSE 150A | 1,00 | | | -- |
| 0086 | MEVR00146 | | FUSE-HOLDER MEGA | 1,00 | | | -- |
| 0087 | VTVT75726 | | SCREW TBCE ISO 7380 6X16 ZB | 2,00 | | | -- |
| 0088 | VTRS00503 | | WASHER D. 6 UNI 6592 | 2,00 | | | -- |
| 0089 | VTDD00491 | | NUT M 6 TEF | 2,00 | | | -- |
| 0090 | MEVR00056 | | KEY QUADRO AVV.COBO TK1000S | 1,00 | | | -- |



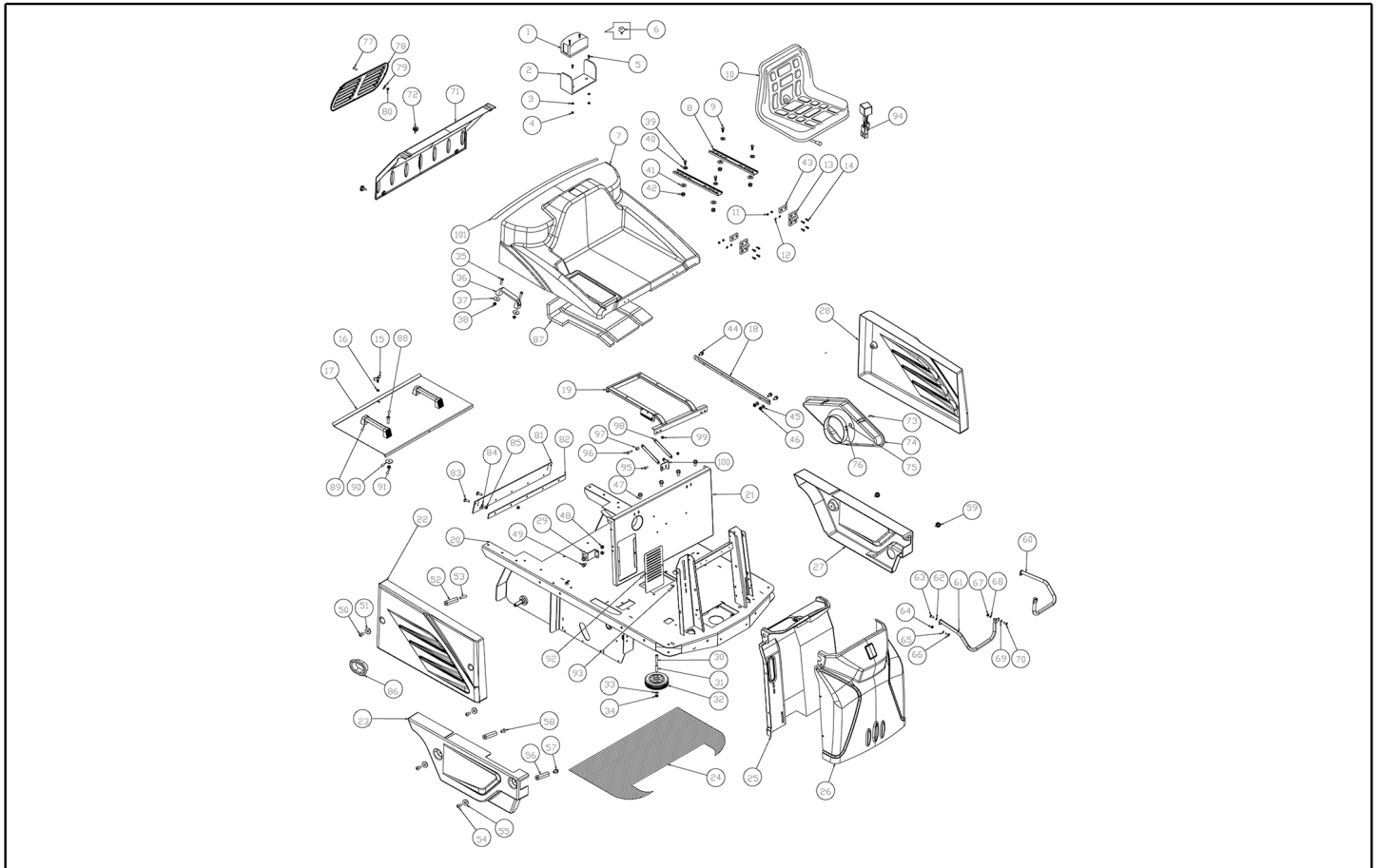
| Ref. K | Part n. | Part n. 2 | Description | Quantity | Validity | | Price |
|--------|-----------|-----------|----------------------------|----------|----------|----|-------|
| | | | | | From | To | |
| 0091 | BAAC75749 | | BATTERY 12V 45A X SW1000SC | 1,00 | | | -- |



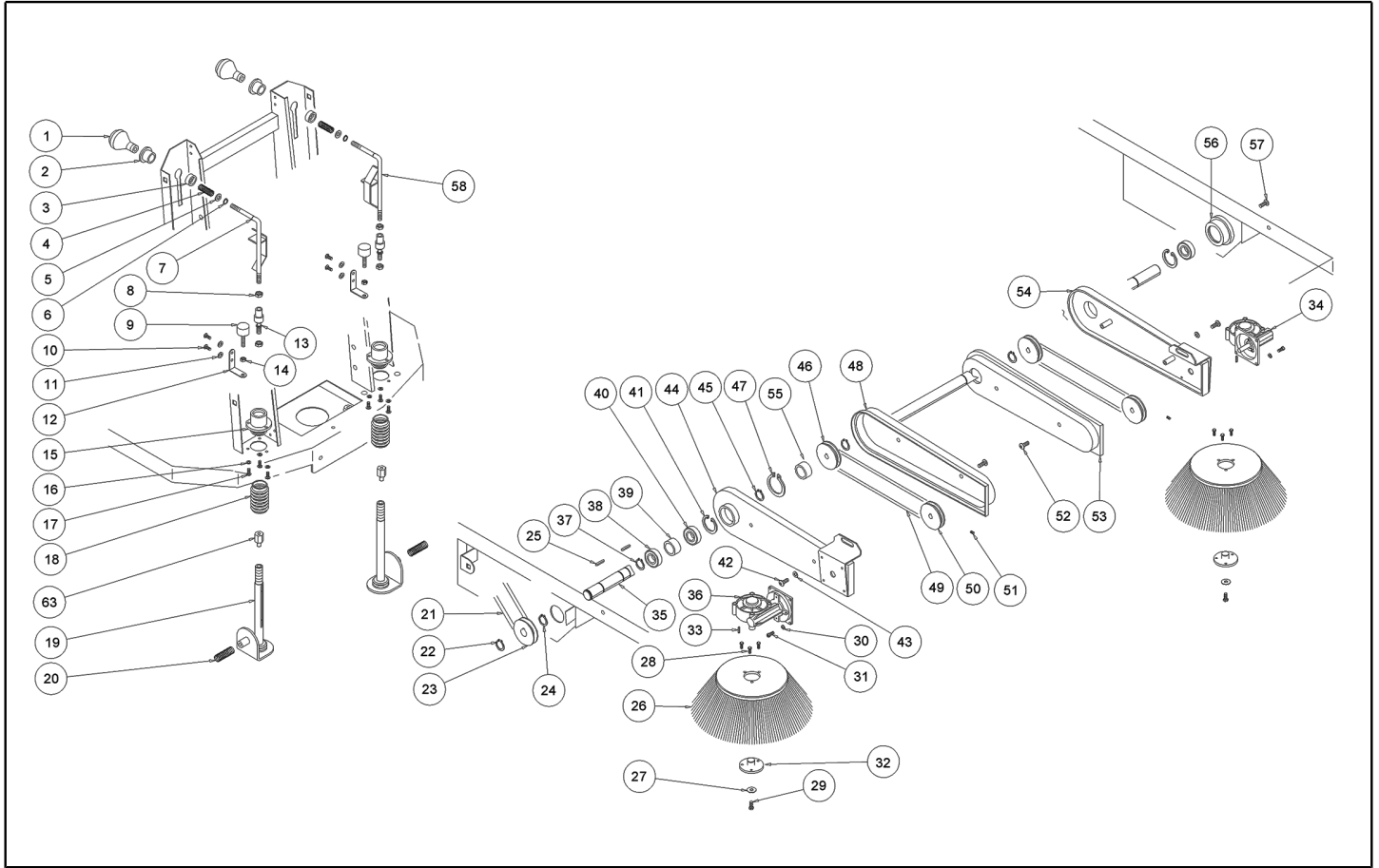
| Ref. K | Part n. | Part n. 2 | Description | Quantity | Validity | | Price |
|--------|-----------|-----------|-----------------------------------|----------|------------|------------|-------|
| | | | | | From | To | |
| 0001 | KTRI00103 | | LAMP FLASH 24V ORANGE | 1,00 | | | -- |
| 0002 | KTRI00103 | | LAMP FLASH 24V ORANGE | 1,00 | | | -- |
| 0003 | VTRS15958 | | WASHER UNI 6592 5X15X1,5 ZB | 2,00 | | | -- |
| 0004 | VTDD08171 | | NUT M 5 TEF | 2,00 | | | -- |
| 0005 | VTVT45339 | | SCREW TBCE ISO 7380 5X16 ZB | 2,00 | | | -- |
| 0006 | MEVR00009 | | LAMP 12V/5W | 1,00 | | | -- |
| 0007 | MPVR06088 | | HOOD - | 1,00 | | | -- |
| 0008 | SESD45981 | | SEAT SC73 01.01.M4 PER TK1400 | 1,00 | | 01/10/2018 | -- |
| 0008 | SESD45982 | | SEAT SC 73 L.14 SENSOR REED | 1,00 | 02/10/2018 | | -- |
| 0009 | VTVT00017 | | SCREW TE UNI 5739 8X35 ZB | 4,00 | | | -- |
| 0010 | SESD45981 | | SEAT SC73 01.01.M4 PER TK1400 | 1,00 | | 01/10/2018 | -- |
| 0010 | SESD45982 | | SEAT SC 73 L.14 SENSOR REED | 1,00 | 02/10/2018 | | -- |
| 0011 | VTDD00491 | | NUT M 6 TEF | 4,00 | | | -- |
| 0012 | VTRS00503 | | WASHER D. 6 UNI 6592 | 4,00 | | | -- |
| 0013 | CEVR85332 | | HINGE MEB F D.6 TK | 2,00 | | | -- |
| 0014 | VTVT06237 | | SCREW TCCE UNI 5931 6X20 ZB | 4,00 | | | -- |
| 0015 | VTVR00044 | | WING NUT D.30 M6X20 | 1,00 | | | -- |
| 0016 | VTRS63242 | | WASHER UNI 6593 6X24X2 ZB | 1,00 | | | -- |
| 0017 | LAFN85308 | | COVER SCATOLA FILTRO TK1000 NER | 1,00 | | | -- |
| 0018 | LAFN08190 | | SHEET METAL PA. - | 1,00 | | | -- |
| 0019 | LAFN08178 | | SUPPORT - | 1,00 | | | -- |
| 0020 | LAFN36061 | | FRAME 1250-1280 | 1,00 | | | -- |
| 0021 | LAFN08133 | | PANEL - | 1,00 | | | -- |
| 0022 | MPVR06418 | | BODY SIDE - | 1,00 | | | -- |
| 0023 | MPVR06096 | | COVERING BOTTOM RH SIDE | 1,00 | | | -- |
| 0024 | MPVR00763 | | PLANE MILLERIGHE 1000S CON BIAD | 1,00 | | | -- |
| 0025 | MPVR06094 | | SIDE PANEL - | 1,00 | | | -- |
| 0026 | MPVR06093 | | COVERING FRONT 1250-1280 GREEN | 1,00 | | | -- |
| 0027 | MPVR06095 | | CRANKCASE - | 1,00 | | | -- |
| 0028 | MPVR06126 | | CONVEYOR SX | 1,00 | | | -- |
| 0029 | LAFN08210 | | BRACKET - | 2,00 | | | -- |
| 0030 | VTVT28307 | | SCREW TCCE UNI 5931 10X70 ZN | 2,00 | | | -- |
| 0031 | LAFN47011 | | BUSHING BU15X10X47 X RUOTA1250056 | 2,00 | | | -- |
| 0032 | RTRT00013 | | WHEEL GOMMA D.125 | 2,00 | | | -- |
| 0033 | VTRS00505 | | WASHER D.10 UNI 6592 | 2,00 | | | -- |
| 0034 | VTDD00042 | | NUT AUT.M10 UNI7474 | 2,00 | | | -- |
| 0035 | VTVT00066 | | SCREW TCCE UNI 5931 8X25 ZB | 4,00 | | | -- |
| 0036 | MPVR00411 | | HANDLE TRG | 2,00 | | | -- |
| 0037 | VTRS00513 | | WASHER UNI 6593 8X32X2,5 ZB | 4,00 | | | -- |
| 0038 | VTDD00124 | | NUT M8 DIN985 | 4,00 | | | -- |
| 0039 | VTVT00017 | | SCREW TE UNI 5739 8X35 ZB | 4,00 | | | -- |
| 0040 | VTRS00504 | | WASHER D. 8 ZC. UNI 6592 | 2,00 | | | -- |
| 0041 | VTRS00512 | | WASHER D. 8 X24 ZC. | 4,00 | | | -- |
| 0042 | VTDD00124 | | NUT M8 DIN985 | 4,00 | | | -- |



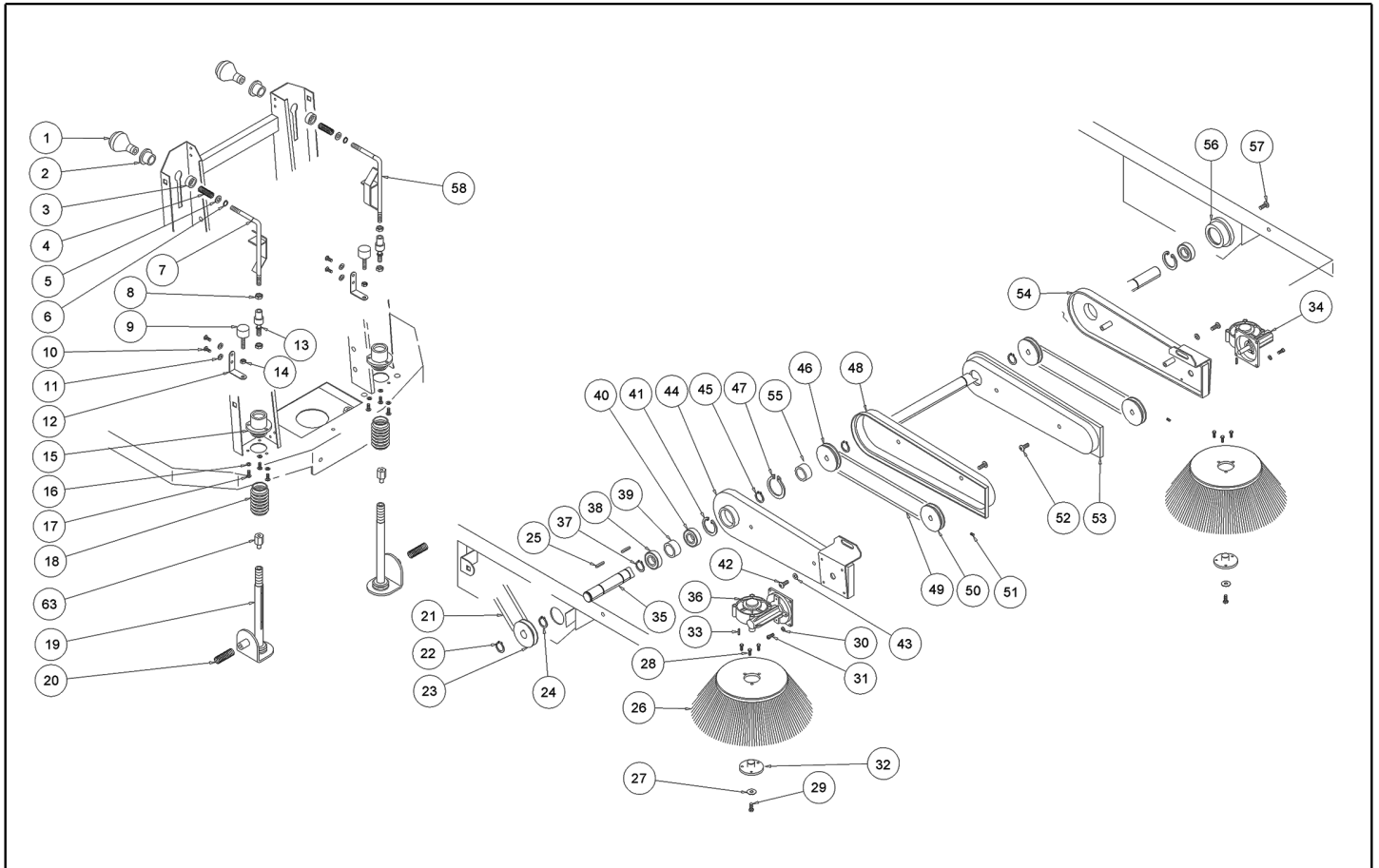
| Ref. K | Part n. | Part n. 2 | Description | Quantity | Validity | | Price |
|--------|-----------|-----------|------------------------------------|----------|------------|------------|-------|
| | | | | | From | To | |
| 0043 | LAFN07909 | | BRACKET - | 2,00 | | | -- |
| 0044 | VTVT62920 | | SCREW TE FR 6X16 ZB ZIGRINATE | 3,00 | | | -- |
| 0045 | VTRS00503 | | WASHER D. 6 UNI 6592 | 2,00 | | | -- |
| 0046 | VTDD00491 | | NUT M 6 TEF | 2,00 | | | -- |
| 0047 | VTVT62920 | | SCREW TE FR 6X16 ZB ZIGRINATE | 4,00 | | | -- |
| 0048 | VTDD00491 | | NUT M 6 TEF | 4,00 | | | -- |
| 0049 | VTVT62920 | | SCREW TE FR 6X16 ZB ZIGRINATE | 4,00 | | | -- |
| 0050 | VTVT75726 | | SCREW TBCE ISO 7380 6X16 ZB | 4,00 | | | -- |
| 0051 | VTRS04026 | | WASHER D. 6X18X2.38 | 4,00 | | | -- |
| 0052 | LAFN08211 | | SPACER - | 4,00 | | | -- |
| 0053 | VTVT00900 | | GRUB SCREW M 6-30 CON ES | 2,00 | | | -- |
| 0054 | VTVT75726 | | SCREW TBCE ISO 7380 6X16 ZB | 2,00 | | | -- |
| 0055 | VTRS04026 | | WASHER D. 6X18X2.38 | 2,00 | | | -- |
| 0056 | LAFN08211 | | SPACER - | 2,00 | | | -- |
| 0057 | VTVT00527 | | SCREW TE FR 6X10 ZB ZIG. | 2,00 | | | -- |
| 0058 | VTVT13515 | | SCREW TSPEI M6x16 UNI5933 10.9 | 2,00 | | | -- |
| 0059 | RTRT00022 | | HANDWHEEL D.30 M6X15 | 2,00 | | | -- |
| 0060 | LAFN08200 | | BUMPER LH SIDE 1250 | 1,00 | | | -- |
| 0061 | LAFN08201 | | BUMPER RH SIDE 1250 | 1,00 | | | -- |
| 0062 | VTRS00504 | | WASHER D. 8 ZC. UNI 6592 | 2,00 | | | -- |
| 0063 | VTVT00446 | | SCREW TE UNI 5739 8X20 ACC.8.8 | 2,00 | | | -- |
| 0064 | VTDD00124 | | NUT M8 DIN985 | 2,00 | | | -- |
| 0065 | VTRS00504 | | WASHER D. 8 ZC. UNI 6592 | 2,00 | | | -- |
| 0066 | VTVT00446 | | SCREW TE UNI 5739 8X20 ACC.8.8 | 1,00 | | | -- |
| 0067 | VTDD00124 | | NUT M8 DIN985 | 2,00 | | | -- |
| 0068 | VTRS00504 | | WASHER D. 8 ZC. UNI 6592 | 2,00 | | | -- |
| 0069 | VTRS00504 | | WASHER D. 8 ZC. UNI 6592 | 2,00 | | | -- |
| 0070 | VTVT00446 | | SCREW TE UNI 5739 8X20 ACC.8.8 | 2,00 | | | -- |
| 0071 | MPVR06097 | | COVERING REAR CONTAINER 1280 GREEN | 1,00 | | 29/09/2014 | -- |
| 0071 | MPVR06417 | | COVER - | 1,00 | 30/09/2014 | | -- |
| 0072 | RTRT00022 | | HANDWHEEL D.30 M6X15 | 4,00 | | | -- |
| 0073 | VTVT75726 | | SCREW TBCE ISO 7380 6X16 ZB | 4,00 | 30/09/2014 | | -- |
| 0074 | MPVR06410 | | CONVEYOR - | 1,00 | 30/09/2014 | | -- |
| 0075 | VTRS04026 | | WASHER D. 6X18X2.38 | 4,00 | 30/09/2014 | | -- |
| 0076 | VTDD00491 | | NUT M 6 TEF | 4,00 | 30/09/2014 | | -- |
| 0077 | VTVT75726 | | SCREW TBCE ISO 7380 6X16 ZB | 4,00 | 30/09/2014 | | -- |
| 0078 | MPVR04916 | | BRACKET COPERCHIO ASPIRATORI | 1,00 | 30/09/2014 | | -- |
| 0079 | VTRS04026 | | WASHER D. 6X18X2.38 | 4,00 | 30/09/2014 | | -- |
| 0080 | VTDD00491 | | NUT M 6 TEF | 4,00 | 30/09/2014 | | -- |
| 0081 | MPVR06431 | | FLAP - | 1,00 | 14/10/2014 | | -- |
| 0082 | LAFN86529 | | CLAMP FLAP ANT/POST TK1000 NERO | 1,00 | 14/10/2014 | | -- |
| 0083 | VTVT75721 | | SCREW TTDE UNI 5732 6X16 ZB | 7,00 | 14/10/2014 | | -- |
| 0084 | VTRS04026 | | WASHER D. 6X18X2.38 | 2,00 | 14/10/2014 | | -- |
| 0085 | VTDD00491 | | NUT M 6 TEF | 7,00 | 14/10/2014 | | -- |



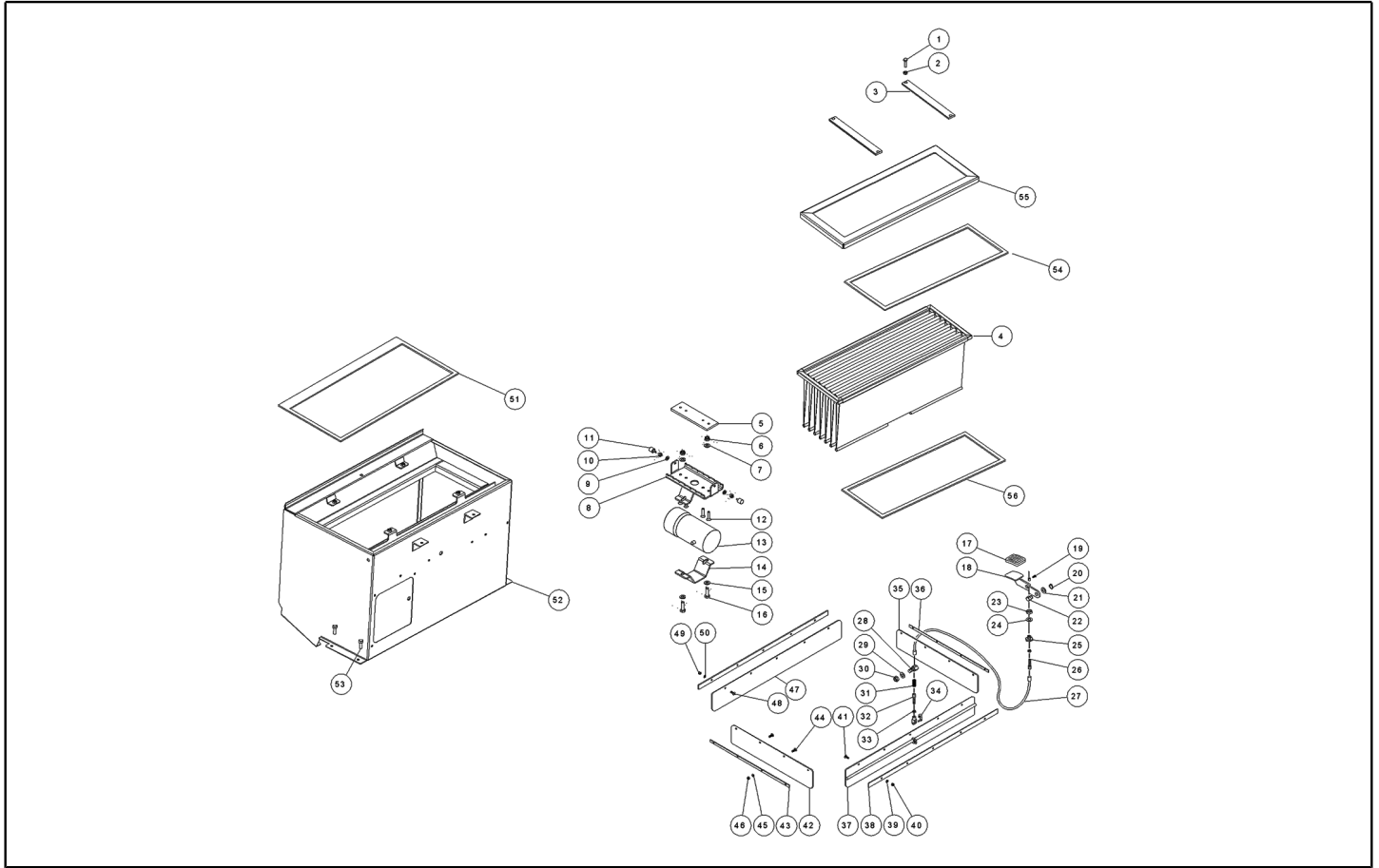
| Ref. K | Part n. | Part n. 2 | Description | Quantity | Validity | | Price |
|--------|-----------|-----------|---------------------------------|----------|------------|----|-------|
| | | | | | From | To | |
| 0086 | MPVR04698 | | FRAME FORO | 1,00 | | | -- |
| 0087 | ITSO00074 | | INSULATOR - | 1,00 | | | -- |
| 0088 | VTVT00066 | | SCREW TCCE UNI 5931 8X25 ZB | 4,00 | 20/03/2015 | | -- |
| 0089 | MPVR00411 | | HANDLE TRG | 2,00 | 20/03/2015 | | -- |
| 0090 | VTRS00513 | | WASHER UNI 6593 8X32X2,5 ZB | 4,00 | 20/03/2015 | | -- |
| 0091 | VTDD00124 | | NUT M8 DIN985 | 4,00 | 20/03/2015 | | -- |
| 0092 | LAFN08232 | | BULKWARD CARBURATOR 1250-80 P-D | 1,00 | 17/11/2015 | | -- |
| 0093 | VTVT75726 | | SCREW TBCE ISO 7380 6X16 ZB | 2,00 | 17/11/2015 | | -- |
| 0094 | MEVR02924 | | BOARD SEAT REED | 1,00 | 02/10/2018 | | -- |
| 0095 | VTVT00446 | | SCREW TE UNI 5739 8X20 ACC.8.8 | 1,00 | 18/02/2020 | | -- |
| 0096 | VTVT00017 | | SCREW TE UNI 5739 8X35 ZB | 1,00 | 18/02/2020 | | -- |
| 0097 | LAFN04042 | | SPACER D8.5-15 | 1,00 | 18/02/2020 | | -- |
| 0098 | LAFN11499 | | BRACKET HOOD 838R-858R | 2,00 | 18/02/2020 | | -- |
| 0099 | VTDD00124 | | NUT M8 DIN985 | 2,00 | 18/02/2020 | | -- |
| 0100 | LAFN11498 | | BRACKET HOOD 838R-858R | 1,00 | 18/02/2020 | | -- |
| 0101 | GUVR00645 | | GASKET | 1,00 | 30/09/2016 | | -- |



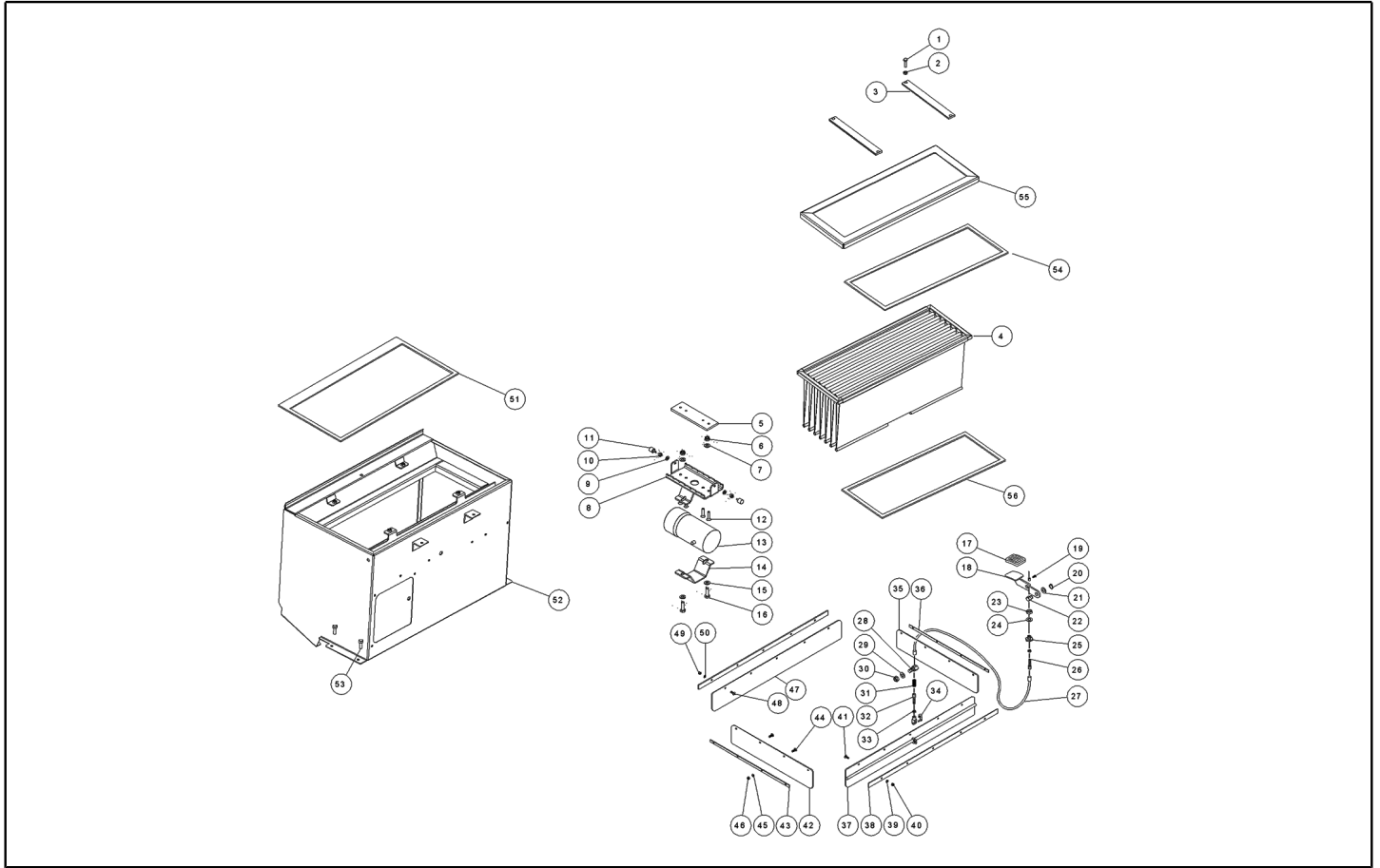
| Ref. K | Part n. | Part n. 2 | Description | Quantity | Validity | | Price |
|--------|-----------|-----------|------------------------------------|----------|----------|----|-------|
| | | | | | From | To | |
| 0001 | MPVR87264 | | KNOB ALZASPAZ.LATERALE TK1000 | 2,00 | | | -- |
| 0002 | MPVR47076 | | BUSHING DI FERMO BRACCIO LAT. | 2,00 | | | -- |
| 0003 | MPVR47074 | | BUSHING FERMO ALZASPAZ.LAT.INT. | 2,00 | | | -- |
| 0004 | MLML47075 | | SPRING LEVA SPAZ.LAT.D.15X1,5X24 | 2,00 | | | -- |
| 0005 | VTRS00505 | | WASHER D.10 UNI 6592 | 2,00 | | | -- |
| 0006 | VTAE87276 | | SEEGER EXT. D10 DIN471 | 2,00 | | | -- |
| 0007 | LAFN00700 | | ARM DX ALZA SPAZ. TK1000 ZINC | 2,00 | | | -- |
| 0008 | VTDD00008 | | NUT M10 UNI 5589 ZB | 4,00 | | | -- |
| 0009 | ABGO00008 | | VIBRATION DAMP. PM 20X20 M6X20 | 2,00 | | | -- |
| 0010 | VTVT75726 | | SCREW TBCE ISO 7380 6X16 ZB | 4,00 | | | -- |
| 0011 | VTRS04026 | | WASHER D. 6X18X2,38 | 4,00 | | | -- |
| 0012 | MPVR86579 | | SUPPORT TK | 2,00 | | | -- |
| 0013 | VTVR47072 | | ARTICULATION ASSIALE M10 | 2,00 | | | -- |
| 0014 | VTDD00482 | | NUT M 6 ZIN UNI 5588 | 2,00 | | | -- |
| 0015 | LAFN87266 | | FLANGE SUPP.SPAZ.LAT.TK1000S ZIN | 2,00 | | | -- |
| 0016 | VTRS00503 | | WASHER D. 6 UNI 6592 | 6,00 | | | -- |
| 0017 | VTVT75726 | | SCREW TBCE ISO 7380 6X16 ZB | 6,00 | | | -- |
| 0018 | MPVR47066 | | PROTECTOR X ALBERO SPAZZOLA TK1000 | 2,00 | | | -- |
| 0019 | LAFN87267 | | SUPPORT BRACCIO LAT.DX/SX 1000 ZIN | 2,00 | | | -- |
| 0020 | MLML75963 | | SPRING PREMI SPAZZ.D.20X2X37 ZB | 2,00 | | | -- |
| 0021 | MTCG00139 | | BELT XPZ ESEC.6T 6B LP825 | 1,00 | | | -- |
| 0022 | VTAE13512 | | CIRCLIP D. 17 UNI 7435 | 1,00 | | | -- |
| 0023 | MTPL00016 | | PULLEY D.78 H.25 | 1,00 | | | -- |
| 0024 | VTAE13512 | | CIRCLIP D. 17 UNI 7435 | 1,00 | | | -- |
| 0025 | VTVR33667 | | KEY UNI 6604 5X5X25 | 2,00 | | | -- |
| 0026 | SPPV00018 | | SIDE-BRUSH 1202-1250-1280 | 2,00 | | | -- |
| 0027 | VTRS63242 | | WASHER UNI 6593 6X24X2 ZB | 2,00 | | | -- |
| 0028 | VTVT62920 | | SCREW TE FR 6X16 ZB ZIGRINATE | 6,00 | | | -- |
| 0029 | VTVT00527 | | SCREW TE FR 6X10 ZB ZIG. | 2,00 | | | -- |
| 0030 | VTRS00503 | | WASHER D. 6 UNI 6592 | 8,00 | | | -- |
| 0031 | VTVT75726 | | SCREW TBCE ISO 7380 6X16 ZB | 8,00 | | | -- |
| 0032 | LAFN45010 | | FLANGE L.1400 LT | 2,00 | | | -- |
| 0033 | VTVR33667 | | KEY UNI 6604 5X5X25 | 2,00 | | | -- |
| 0034 | RDGR75786 | | REDUCTION UNIT SPAZ.LAT.SX TK1000S | 1,00 | | | -- |
| 0035 | ALTR87270 | | SHAFT TRAS.SX SPAZ.LAT TK1000S | 1,00 | | | -- |
| 0036 | RDGR85001 | | REDUCTION UNIT SPAZ.LAT.DX TK1000S | 1,00 | | | -- |
| 0037 | VTAE13512 | | CIRCLIP D. 17 UNI 7435 | 1,00 | | | -- |
| 0038 | CUVR00008 | | BEARING 6003 2RS | 1,00 | | | -- |
| 0039 | LAFN00102 | | SPACER CUSCIN.MOZZO SOST.SP.LAT. | 1,00 | | | -- |
| 0040 | CUVR00008 | | BEARING 6003 2RS | 2,00 | | | -- |
| 0041 | VTAE17002 | | CIRCLIP D. 35 UNI 7437 | 2,00 | | | -- |
| 0042 | VTVT87271 | | SCREW TBCE ISO 7380 8X16 ZB | 2,00 | | | -- |
| 0043 | VTRS00512 | | WASHER D. 8 X24 ZC. | 2,00 | | | -- |
| 0044 | LAFN76761 | | ARM ALZASPAZ.LAT.DX 1000S NER | 1,00 | | | -- |



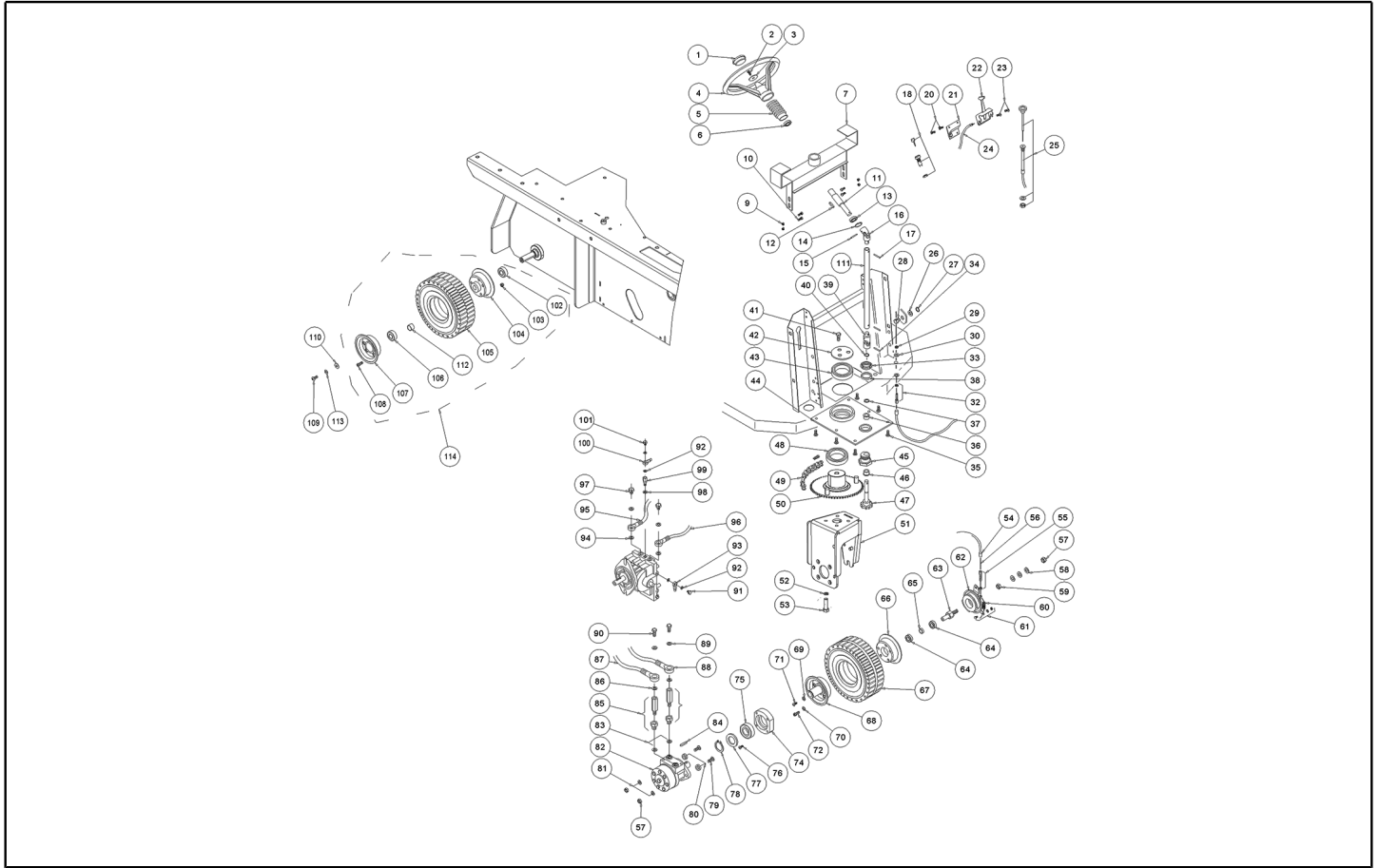
| Ref. K | Part n. | Part n. 2 | Description | Quantity | Validity | | Price |
|--------|-----------|-----------|------------------------------------|----------|----------|----|-------|
| | | | | | From | To | |
| 0045 | VTAE13512 | | CIRCLIP D. 17 UNI 7435 | 1,00 | | | -- |
| 0046 | MTPL87275 | | PULLEY D.96 H.26 | 1,00 | | | -- |
| 0047 | VTAE87277 | | SEEGER ESTERNO DIN 471 D.45 | 2,00 | | | -- |
| 0048 | MPVR87287 | | CRANKCASE BRACCIO LAT.DX TK1000S | 1,00 | | | -- |
| 0049 | MTCG85309 | | BELT TONDA D.8 | 2,00 | | | -- |
| 0050 | MTPL87274 | | PULLEY D.75 H.27 | 2,00 | | | -- |
| 0051 | VTVT86570 | | GRUB SCREW UNI 5927 6X10 CON PUNTA | 2,00 | | | -- |
| 0052 | VTVT45395 | | SCREW TBCE ISO 7380 8X10 ZB | 4,00 | | | -- |
| 0053 | MPVR87281 | | CRANKCASE BRACCIO LAT SX TK1000S | 1,00 | | | -- |
| 0054 | LAFN87273 | | ARM ALZASPAZ.LAT.SX 1000S VER | 1,00 | | | -- |
| 0055 | LAFN11094 | | SPACER Øe 24 Øi 17.5 L 16 | 1,00 | | | -- |
| 0056 | LAFN87280 | | HUB SOSTEG.SX ALBERO SPAZ.LAT | 1,00 | | | -- |
| 0057 | VTVT47025 | | SCREW TBCE ISO 7380 10X16 ZB | 1,00 | | | -- |
| 0058 | LAFN87265 | | ARM SX ALZA SPAZ.LAT.TK1000zn | 1,00 | | | -- |
| 0063 | LAFN08217 | | SPACER - | 2,00 | | | -- |



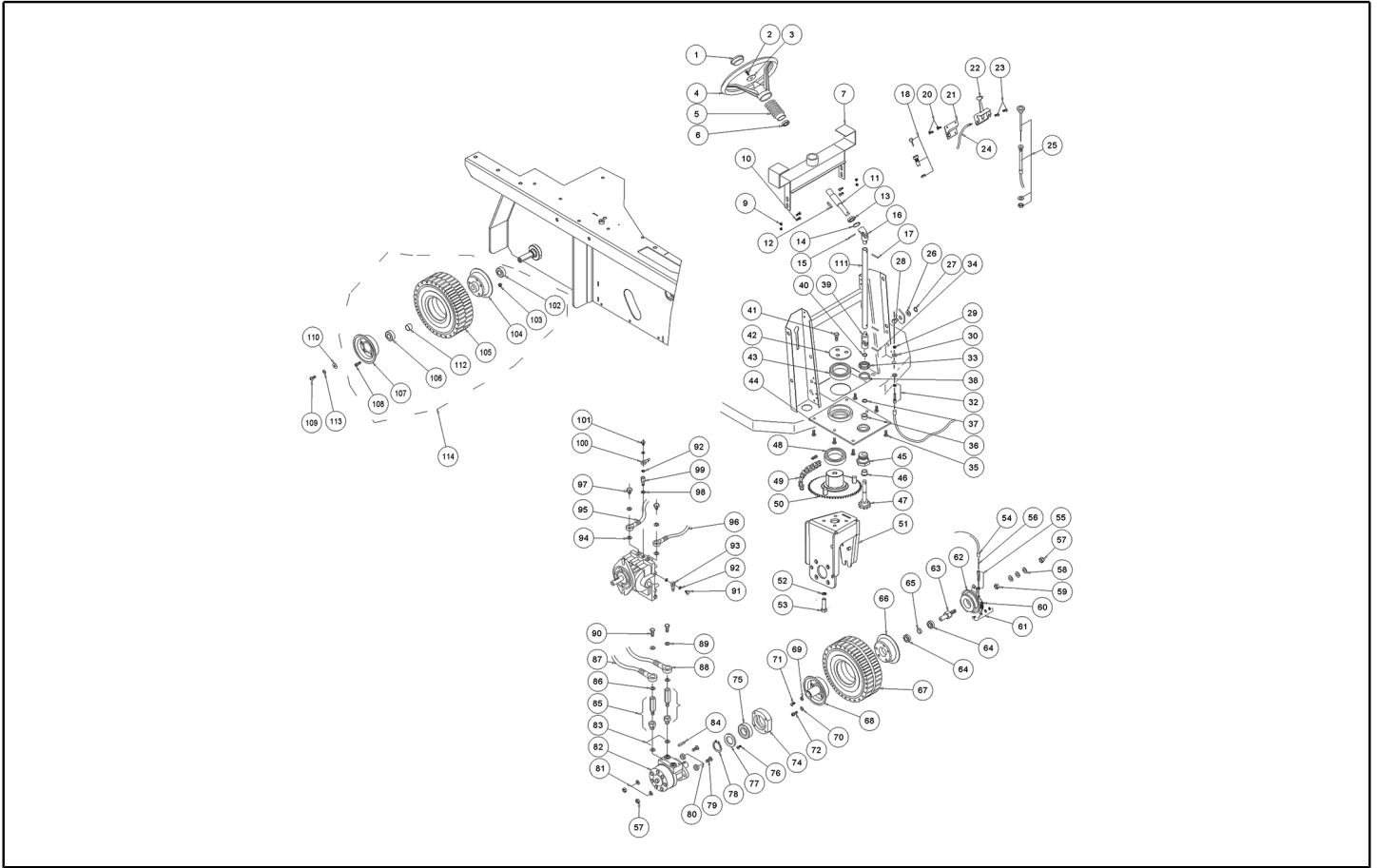
| Ref. K | Part n. | Part n. 2 | Description | Quantity | Validity | | Price |
|--------|-----------|-----------|---------------------------------|----------|----------|----|-------|
| | | | | | From | To | |
| 0001 | VTVT00446 | | SCREW TE UNI 5739 8X20 ACC.8.8 | 4,00 | | | -- |
| 0002 | VTDD00483 | | NUT M 8 ZIN UNI 5588 | 4,00 | | | -- |
| 0003 | LAFN11464 | | PLATE FILTER 1250-80 | 2,00 | | | -- |
| 0004 | FTDP00214 | | FILTER PLEATED POLYESTER 1280 | 1,00 | | | -- |
| 0005 | LAFN08921 | | PLATE - | 1,00 | | | -- |
| 0006 | VTDD00042 | | NUT AUT.M10 UNI7474 | 2,00 | | | -- |
| 0007 | VTRS00505 | | WASHER D.10 UNI 6592 | 2,00 | | | -- |
| 0008 | LAFN08917 | | BRACKET - | 1,00 | | | -- |
| 0009 | VTRS00503 | | WASHER D. 6 UNI 6592 | 2,00 | | | -- |
| 0010 | VTDD00491 | | NUT M 6 TEF | 2,00 | | | -- |
| 0011 | ABGO00013 | | VIBRATION DAMP. 25x25 M6x25 | 2,00 | | | -- |
| 0012 | VTVT00427 | | SCREW TSPEI 8X35 UNI5933 INX | 4,00 | | | -- |
| 0013 | MOCC00404 | | MOTOR | 1,00 | | | -- |
| 0014 | LAFN06718 | | BRACKET - | 1,00 | | | -- |
| 0015 | VTRS00505 | | WASHER D.10 UNI 6592 | 2,00 | | | -- |
| 0016 | VTVT00458 | | SCREW TE M 10X35 ZINC. UNI 5739 | 2,00 | | | -- |
| 0017 | MPVR45096 | | PEDAL COVER GRANDE V1021 | 1,00 | | | -- |
| 0018 | LAFN76008 | | PEDAL ALZAFLAP TK1000 ZINCATO | 1,00 | | | -- |
| 0019 | VTVR00028 | | CLAMP PER CASSETTO G1300 | 1,00 | | | -- |
| 0020 | VTAE14016 | | SEEGER ESTERNO DIN 471 D.12 | 1,00 | | | -- |
| 0021 | VTRS00506 | | WASHER D.12 UNI 6592 | 1,00 | | | -- |
| 0022 | LAFN75973 | | PIN FISSAG.CAVI FERMA FLAP | 1,00 | | | -- |
| 0023 | VTDD01682 | | NUT M12 ZC UNI 5588 | 1,00 | | | -- |
| 0024 | VTRS00505 | | WASHER D.10 UNI 6592 | 1,00 | | | -- |
| 0025 | LAFN75975 | | PIN CENTRAG.FILO PEDALE FRENO | 1,00 | | | -- |
| 0026 | CMCV75723 | | REGISTER D.7 | 1,00 | | | -- |
| 0027 | CMCV75905 | | SHEATH X CABLE | 1,00 | | | -- |
| 0028 | LAFN75976 | | PIN GUIDA MOLLA ALZAFLAP 1000 | 1,00 | | | -- |
| 0029 | VTRS00506 | | WASHER D.12 UNI 6592 | 1,00 | | | -- |
| 0030 | VTDD00012 | | NUT AUTOBLOK DIN 985 M12 ZB | 1,00 | | | -- |
| 0031 | MLML75962 | | SPRING ALZAFLAP D.11,5X1,5 ZB | 1,00 | | | -- |
| 0032 | CMCV45110 | | CORD D. 2.5 FLAP L.14 | 1,00 | | | -- |
| 0033 | VTDD00482 | | NUT M 6 ZIN UNI 5588 | 1,00 | | | -- |
| 0034 | CMCV75717 | | CLIP UNI 1676 M6x12 | 1,00 | | | -- |
| 0035 | MPVR75936 | | FLAP LH-RH SIDES TK1000 | 1,00 | | | -- |
| 0036 | LAFN00305 | | CLAMP FLAP DX/SX TK1000 NERO | 1,00 | | | -- |
| 0037 | MPVR75935 | | FLAP FRONT TK1000 MODELS | 1,00 | | | -- |
| 0038 | LAFN86529 | | CLAMP FLAP ANT/POST TK1000 NERO | 1,00 | | | -- |
| 0039 | VTRS00503 | | WASHER D. 6 UNI 6592 | 8,00 | | | -- |
| 0040 | VTDD00491 | | NUT M 6 TEF | 8,00 | | | -- |
| 0041 | VTVT75721 | | SCREW TTDE UNI 5732 6X16 ZB | 8,00 | | | -- |
| 0042 | MPVR75936 | | FLAP LH-RH SIDES TK1000 | 1,00 | | | -- |
| 0043 | LAFN00305 | | CLAMP FLAP DX/SX TK1000 NERO | 1,00 | | | -- |
| 0044 | VTVT75721 | | SCREW TTDE UNI 5732 6X16 ZB | 4,00 | | | -- |



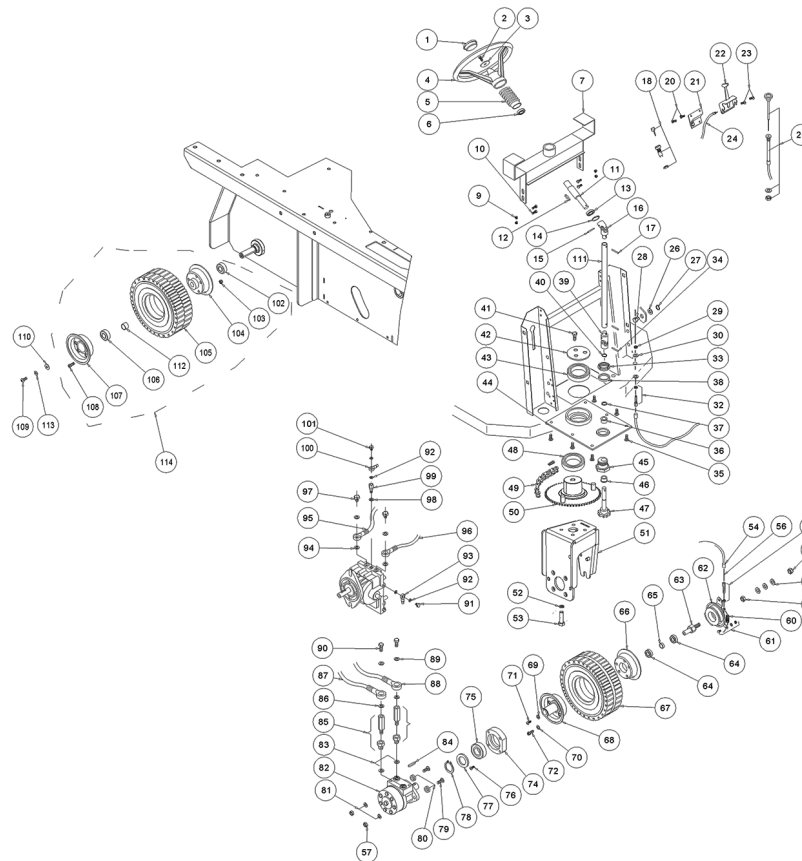
| Ref. K | Part n. | Part n. 2 | Description | Quantity | Validity | | Price |
|--------|-----------|-----------|-------------------------------|----------|----------|----|-------|
| | | | | | From | To | |
| 0045 | VTRS00503 | | WASHER D. 6 UNI 6592 | 4,00 | | | -- |
| 0046 | VTDD00491 | | NUT M 6 TEF | 4,00 | | | -- |
| 0047 | MPVR75934 | | FLAP REAR TK1000 | 1,00 | | | -- |
| 0048 | VTVT75721 | | SCREW TTDE UNI 5732 6X16 ZB | 5,00 | | | -- |
| 0049 | VTDD00491 | | NUT M 6 TEF | 5,00 | | | -- |
| 0050 | VTRS00503 | | WASHER D. 6 UNI 6592 | 5,00 | | | -- |
| 0051 | KTRI01997 | | KIT LID GASKETS TK1020-1250 | 1,00 | | | -- |
| 0052 | LAFN36060 | | FRAME SUPPORT POCKET FILTER | 1,00 | | | -- |
| 0053 | VTVT62920 | | SCREW TE FR 6X16 ZB ZIGRINATE | 4,00 | | | -- |
| 0054 | MPVR00051 | | MOUSSE 15X5 | 2,00 | | | -- |
| 0055 | LAFN11463 | | FILTER FILTER 1250-80 | 1,00 | | | -- |
| 0056 | MPVR00051 | | MOUSSE 15X5 | 2,00 | | | -- |



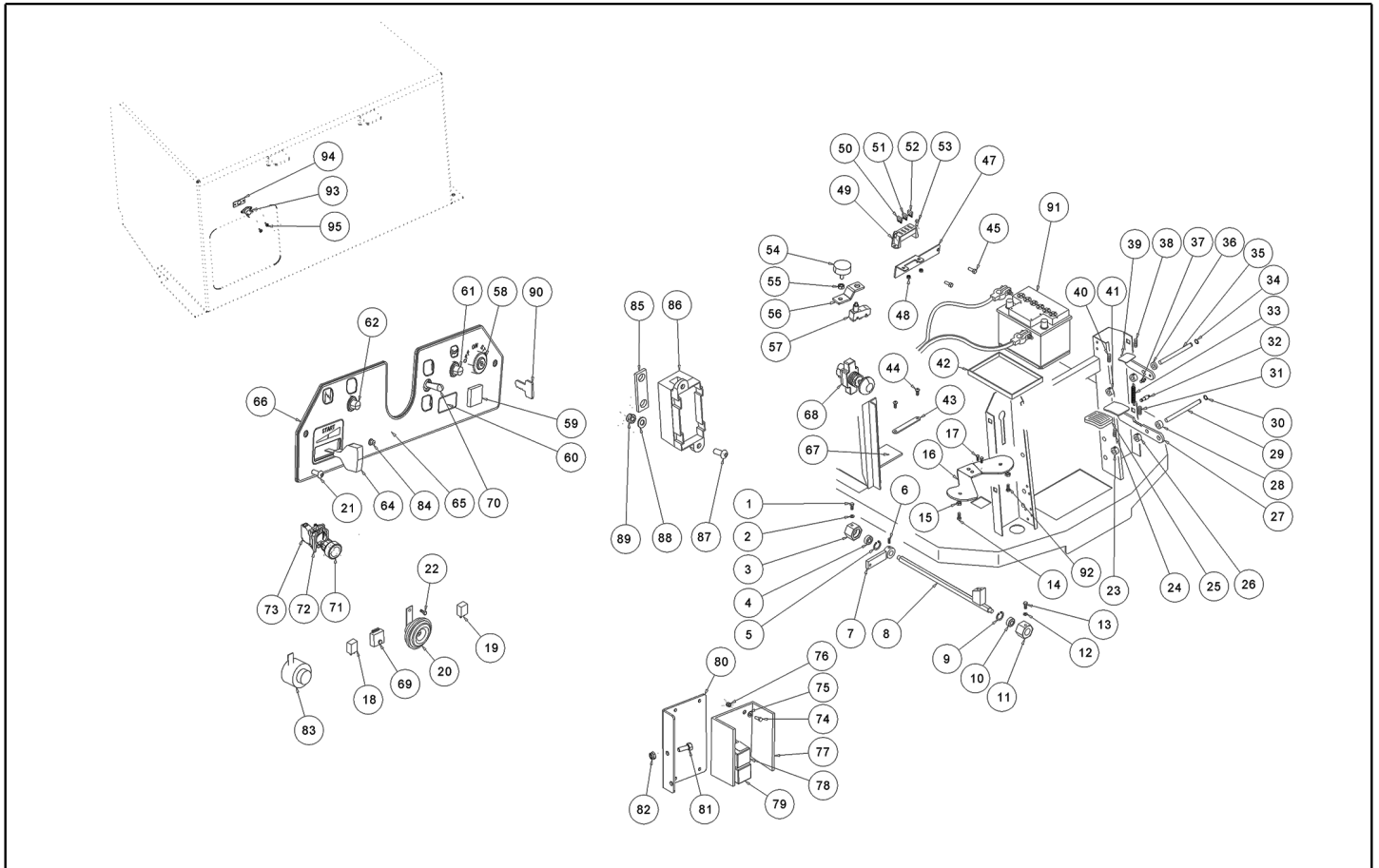
| Ref. K | Part n. | Part n. 2 | Description | Quantity | Validity | | Price |
|--------|-----------|-----------|------------------------------------|----------|------------|------------|-------|
| | | | | | From | To | |
| 0001 | MPVR47026 | | CAP PER VOLANTE | 1,00 | | | -- |
| 0002 | VTVT47025 | | SCREW TBCE ISO 7380 10X16 ZB | 1,00 | | | -- |
| 0003 | VTRS44254 | | WASHER UNI 6593 10X40X2,5 ZB | 1,00 | | | -- |
| 0004 | MPVR47027 | | STEERING WHEEL D.320 SENZA POMELLO | 1,00 | | | -- |
| 0005 | MPVR47066 | | PROTECTOR X ALBERO SPAZZOLA TK1000 | 1,00 | | | -- |
| 0006 | CUVR00005 | | BEARING 6202 2RS | 1,00 | | | -- |
| 0007 | LAFN09337 | | SUPPORT 1250-1280 | 1,00 | | | -- |
| 0009 | VTDD07887 | | NUT M 6 SERPRESS | 4,00 | | | -- |
| 0010 | VTVT62920 | | SCREW TE FR 6X16 ZB ZIGRINATE | 4,00 | | | -- |
| 0011 | ALTR00011 | | SHAFT PER VOLANTE TK1000 | 1,00 | | | -- |
| 0012 | VTVR13164 | | KEY UNI 6604 5X5X30 | 1,00 | | | -- |
| 0013 | CUVR00005 | | BEARING 6202 2RS | 1,00 | | | -- |
| 0014 | VTAE17002 | | CIRCLIP D. 35 UNI 7437 | 1,00 | | | -- |
| 0015 | VTVR46987 | | ELASTIC PLUG DIN 1481 5X25 | 1,00 | | 01/05/2017 | -- |
| 0015 | VTVR00327 | | PLUG - | 1,00 | 02/05/2017 | | -- |
| 0016 | PMTR00021 | | SHAFT STERZO 1000 T.NUOVO COMPL | 1,00 | | | -- |
| 0017 | VTVR46987 | | ELASTIC PLUG DIN 1481 5X25 | 1,00 | | 01/05/2017 | -- |
| 0017 | VTVR00327 | | PLUG - | 1,00 | 02/05/2017 | | -- |
| 0018 | MECI87180 | | SWITCH A CHIAVE | 1,00 | | | -- |
| 0020 | VTVT00058 | | SCREW TCEI M 5X12 ZB U.5931 | 2,00 | | | -- |
| 0021 | LAFN00668 | | SUPPORT ACCELERATORE 1000SH ZINC. | 1,00 | | | -- |
| 0022 | CMCV75739 | | ACCELERATOR TK S | 1,00 | | | -- |
| 0023 | VTVT00527 | | SCREW TE FR 6X10 ZB ZIG. | 2,00 | | | -- |
| 0024 | CMCV87184 | | CABLE + GU. TK 1000 | 1,00 | | | -- |
| 0025 | CMCV87185 | | CABLE + GU. STARTER TK | 1,00 | | | -- |
| 0026 | VTRS00506 | | WASHER D.12 UNI 6592 | 1,00 | | | -- |
| 0027 | VTAE14016 | | SEEGER ESTERNO DIN 471 D.12 | 1,00 | | | -- |
| 0028 | LAFN75973 | | PIN FISSAG.CAVI FERMA FLAP | 1,00 | | | -- |
| 0029 | CMCV75723 | | REGISTER D.7 | 1,00 | | | -- |
| 0030 | VTRS00504 | | WASHER D. 8 ZC. UNI 6592 | 2,00 | | | -- |
| 0032 | CMCV75723 | | REGISTER D.7 | 1,00 | | | -- |
| 0033 | VTVR75747 | | RING NUT AUTOBLOK M35X1,5 GUK | 1,00 | | | -- |
| 0034 | VTVR46987 | | ELASTIC PLUG DIN 1481 5X25 | 1,00 | | 01/05/2017 | -- |
| 0034 | VTVR00327 | | PLUG - | 1,00 | 02/05/2017 | | -- |
| 0035 | VTVT00455 | | SCREW TE 10X20 UNI5739 | 6,00 | | | -- |
| 0036 | LAFN75841 | | BUSHING CENTR.PIGNONE RUOTA ANT. | 1,00 | | | -- |
| 0037 | MPVR75734 | | THICKNESS 15X22X0,5 | 1,00 | | | -- |
| 0038 | LAFN75913 | | SPACER BOCCOLA ECCENTRICA TK1000 | 1,00 | | | -- |
| 0039 | PMTR00021 | | SHAFT STERZO 1000 T.NUOVO COMPL | 1,00 | | | -- |
| 0040 | VTAE17003 | | CIRCLIP ESTERNO DIN 471 D.15 | 1,00 | | | -- |
| 0041 | VTVT00014 | | SCREW TE UNI 5739 8X20 CL.10.9 | 3,00 | | | -- |
| 0042 | LAFN47004 | | WASHER BLOCCA RAL | 1,00 | | | -- |
| 0043 | CUVR75816 | | BEARING 51112 | 1,00 | | | -- |
| 0044 | LAFN85521 | | FLANGE FISSAG.RUOTA ANT.TK1000zn | 1,00 | | | -- |



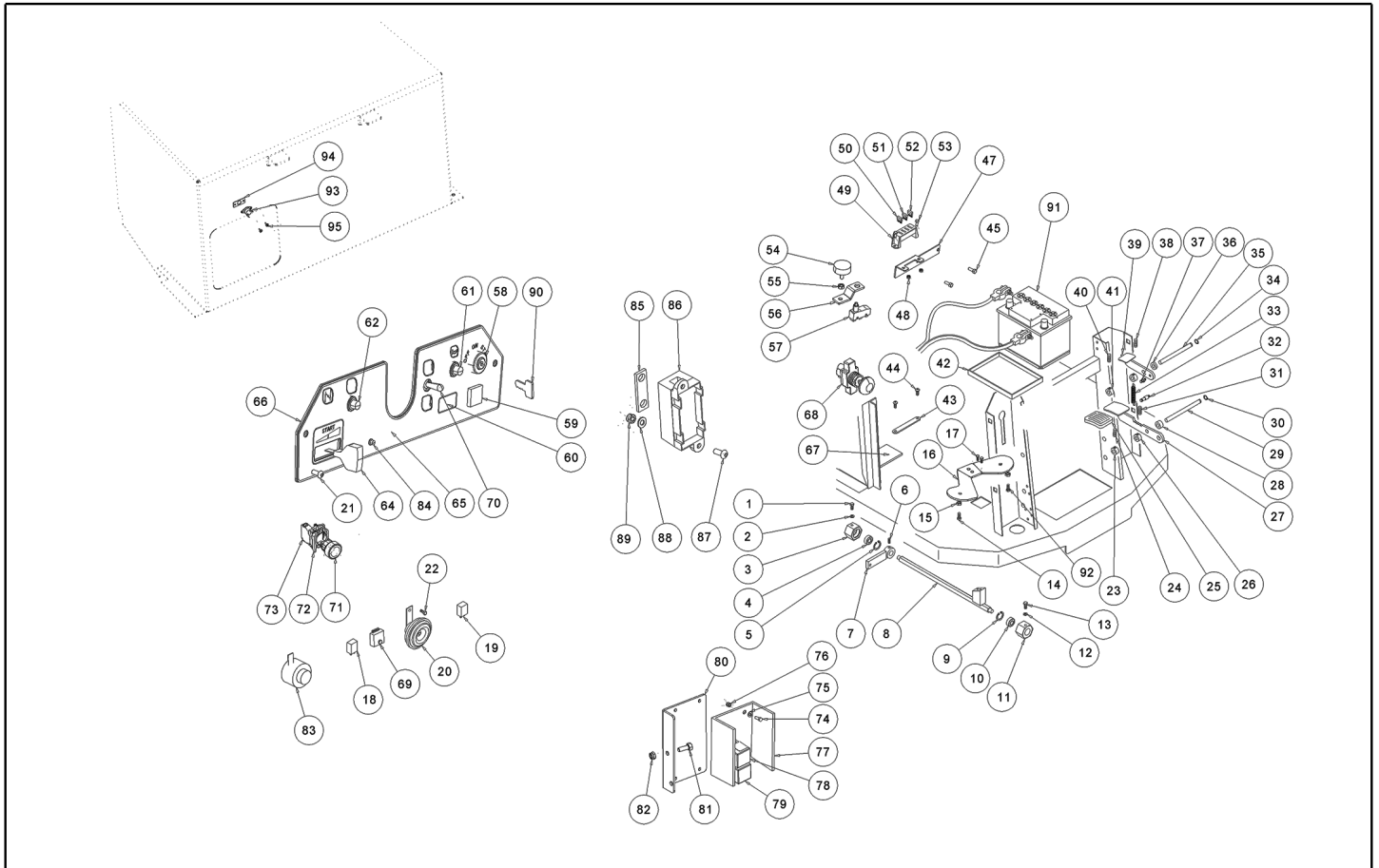
| Ref. K | Part n. | Part n. 2 | Description | Quantity | Validity | | Price |
|--------|-----------|-----------|----------------------------------|----------|----------|----|-------|
| | | | | | From | To | |
| 0045 | LAFN75842 | | BUSHING ECCNTRICA TENDICATENA | 1,00 | | | -- |
| 0046 | LAFN75841 | | BUSHING CENTR.PIGNONE RUOTA ANT. | 1,00 | | | -- |
| 0047 | KTRI46514 | | ECCENTRIC BUSH. TK1000 COMPLETA | 1,00 | | | -- |
| 0048 | CUVR75816 | | BEARING 51112 | 1,00 | | | -- |
| 0049 | MTCR85008 | | CHAIN SWEEP 1000 ET | 1,00 | | | -- |
| 0050 | LAFN08185 | | BRAKE - | 1,00 | | | -- |
| 0051 | LAFN08177 | | SUPPORT - | 1,00 | | | -- |
| 0052 | VTRS00107 | | WASHER M10 Grower | 4,00 | | | -- |
| 0053 | VTVT00455 | | SCREW TE 10X20 UNI5739 | 4,00 | | | -- |
| 0054 | CMCV47132 | | SHEATH L.14 A.FLAP | 1,00 | | | -- |
| 0055 | CMCV75723 | | REGISTER D.7 | 1,00 | | | -- |
| 0056 | CMCV85320 | | CABLE D.2,5 L.760 21251003 | 1,00 | | | -- |
| 0057 | VTDD00012 | | NUT AUTOBLOK DIN 985 M12 ZB | 1,00 | | | -- |
| 0058 | VTRS00506 | | WASHER D.12 UNI 6592 | 3,00 | | | -- |
| 0059 | VTDD00498 | | NUT UNI 5588 M12 ZN | 1,00 | | | -- |
| 0060 | MLML75964 | | SPRING PORTACEPPO D.11,3X1,5X100 | 1,00 | | | -- |
| 0061 | VTVR00029 | | CLAMP FRENO ART.7056 | 1,00 | | | -- |
| 0062 | LAFN86483 | | BRAKE PORTACEPPO D.90 TK1000 | 1,00 | | | -- |
| 0063 | LAFN86494 | | WHEEL PIN ANTERIORE TK 1000S | 1,00 | | | -- |
| 0064 | CUVR00005 | | BEARING 6202 2RS | 2,00 | | | -- |
| 0065 | LAFN00096 | | BUSHING DISTANZ.CUSC.RUOTA ANT. | 1,00 | | | -- |
| 0066 | LAFN85291 | | HUB RUOTA ANTER.D.124 H.33.5 | 1,00 | | | -- |
| 0067 | KTRI75744 | | REAR WHEELS TIRE 1000-1250-1280 | 1,00 | | | -- |
| 0068 | LAFN00630 | | HUB RUOTA ANTER.MOTO.IDRAUL. | 1,00 | | | -- |
| 0069 | VTRS00512 | | WASHER D. 8 X24 ZC. | 1,00 | | | -- |
| 0070 | VTRS01080 | | WASHER D. 8 GRW | 5,00 | | | -- |
| 0071 | VTVT87271 | | SCREW TBCE ISO 7380 8X16 ZB | 1,00 | | | -- |
| 0072 | VTVT29810 | | SCREW TCCE UNI 5931 8X20 ZB | 5,00 | | | -- |
| 0074 | LAFN00097 | | BUSHING PORTA CUSCINETTO 6008 | 1,00 | | | -- |
| 0075 | CUVR48690 | | BALL BEARING 6008-2RS1 | 1,00 | | | -- |
| 0076 | VTVT63134 | | SCREW M 8X25 TSPEI ZC UNI 5933 | 4,00 | | | -- |
| 0077 | LAFN00094 | | SPACER CUSCINETTO 6008 | 1,00 | | | -- |
| 0078 | VTAE00005 | | CIRCLIP D. 40 UNI 7435 | 1,00 | | | -- |
| 0079 | VTVT00073 | | SCREW TCCE UNI 5931 12X45 ZB | 2,00 | | | -- |
| 0080 | LAFN00103 | | SPACER FISS.MOT.IDR.RUOTA ANT. | 2,00 | | | -- |
| 0081 | VTRS00506 | | WASHER D.12 UNI 6592 | 2,00 | | | -- |
| 0082 | PPBP00001 | | MOTOR IDRAULICO MGLR 100A 25NIT | 1,00 | | | -- |
| 0083 | VTRS00006 | | WASHER RAME D.20 | 2,00 | | | -- |
| 0084 | VTVR00005 | | KEY UNI 6604 8X7X32 | 1,00 | | | -- |
| 0085 | LAFN01074 | | COLUMN MOTORE IDRAULICO TK1000S | 2,00 | | | -- |
| 0086 | VTRS00548 | | WASHER D.17,5X23X1,5 (3/8)RM | 2,00 | | | -- |
| 0087 | TBFX85523 | | TUBE 5/16 COMPL.L.1410 MARCIA | 1,00 | | | -- |
| 0088 | TBFX85522 | | TUBE 5/16 L.1530 25001001 | 1,00 | | | -- |
| 0089 | VTRS00548 | | WASHER D.17,5X23X1,5 (3/8)RM | 2,00 | | | -- |



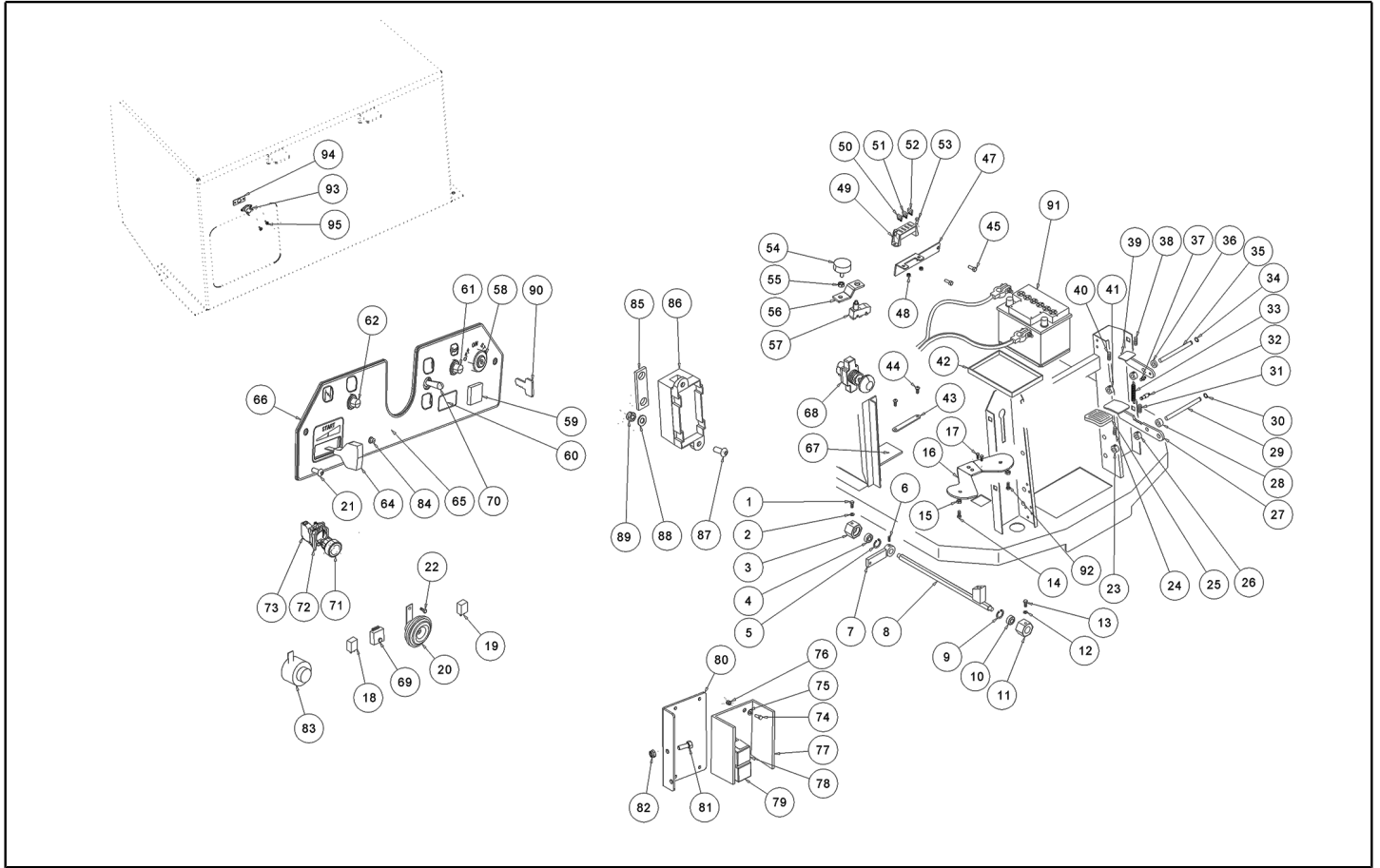
| Ref. K | Part n. | Part n. 2 | Description | Quantity | Validity | | Price |
|--------|-----------|-----------|----------------------------------|----------|------------|------------|-------|
| | | | | | From | To | |
| 0090 | RCVR00040 | | SCREW FORATA 3/8" | 2,00 | | | -- |
| 0091 | RCVR00038 | | SCREW FORATA 9/16" JIC | 1,00 | | | -- |
| 0092 | VTRS00003 | | WASHER RAME D.14 | 4,00 | | | -- |
| 0093 | TBBP00436 | | TUBE L=490 | 1,00 | 25/11/2016 | | -- |
| 0093 | TBBP87182 | | TUBE BASSA PRESSIONE L.670 | 1,00 | | 24/11/2016 | -- |
| 0094 | VTRS00006 | | WASHER RAME D.20 | 2,00 | | | -- |
| 0095 | TBFX85523 | | TUBE 5/16 COMPL.L.1410 MARCIA | 1,00 | | | -- |
| 0096 | TBFX85522 | | TUBE 5/16 L.1530 25001001 | 1,00 | | | -- |
| 0097 | RCVR00039 | | SCREW FORATA 3/4" JIC | 2,00 | | | -- |
| 0098 | VTRS00004 | | WASHER ACCIAIO 7/16 JIC | 1,00 | | | -- |
| 0099 | RCVR00057 | | CONNECTOR ASPIRAZIONE OLIO ZINC. | 1,00 | | | -- |
| 0100 | TBBP87182 | | TUBE BASSA PRESSIONE L.670 | 1,00 | | | -- |
| 0101 | RCVR00041 | | SCREW FORATA M14X1,5 | 1,00 | | | -- |
| 0102 | CUVR00008 | | BEARING 6003 2RS | 2,00 | | 24/07/2016 | -- |
| 0102 | CUVR00104 | | BEARING SKF 6003- 2RSH | 2,00 | 25/07/2016 | | -- |
| 0103 | VTDD00124 | | NUT M8 DIN985 | 10,00 | | | -- |
| 0104 | LAFN85380 | | HUB RUOTA POST.D124 H.33.5 | 2,00 | | | -- |
| 0105 | KTRI75744 | | REAR WHEELS TIRE 1000-1250-1280 | 2,00 | | | -- |
| 0106 | CUVR00008 | | BEARING 6003 2RS | 2,00 | | 24/07/2016 | -- |
| 0106 | CUVR00104 | | BEARING SKF 6003- 2RSH | 2,00 | 25/07/2016 | | -- |
| 0107 | LAFN85290 | | HUB ruota 124x57,5 | 2,00 | | | -- |
| 0108 | VTVT00066 | | SCREW TCCE UNI 5931 8X25 ZB | 10,00 | | | -- |
| 0109 | VTVT01110 | | SCREW TE 8X16 UNI5739 | 2,00 | | | -- |
| 0110 | VTRS00512 | | WASHER D. 8 X24 ZC. | 2,00 | | | -- |
| 0111 | PMTR00021 | | SHAFT STERZO 1000 T.NUOVO COMPL | 1,00 | | | -- |
| 0112 | LAFN00275 | | SPACER INTERNO RUOTA POST.TK1300 | 2,00 | | | -- |
| 0113 | VTRS01080 | | WASHER D. 8 GRW | 2,00 | | | -- |
| 0114 | PMVR02380 | | WHEEL REAR COMPLETE 1250-1280 | 1,00 | | | -- |



| Ref. K | Part n. | Part n. 2 | Description | Quantity | Validity | | Price |
|--------|-----------|-----------|-------------------------------------|----------|----------|----|-------|
| | | | | | From | To | |
| 0001 | VTVT45395 | | SCREW TBCE ISO 7380 8X10 ZB | 1,00 | | | -- |
| 0002 | VTRS00504 | | WASHER D. 8 ZC. UNI 6592 | 1,00 | | | -- |
| 0003 | LAFN00710 | | SUPPORT TRASMISSIONE ACCELERATORE | 1,00 | | | -- |
| 0004 | CUVR86373 | | BEARING 6000 2RS | 1,00 | | | -- |
| 0005 | VTAE13513 | | CIRCLIP D. 26 UNI 7437 | 1,00 | | | -- |
| 0006 | VTVT00481 | | GRUB SCREW UNI 5927 8X10 CON PUNTA | 1,00 | | | -- |
| 0007 | LAFN00711 | | ARM SELEZIONE DIREZ.1000S ZN | 1,00 | | | -- |
| 0008 | ALTR00020 | | SHAFT CON BLOCCHE.T.X SELE.DIREZ | 1,00 | | | -- |
| 0009 | VTAE13513 | | CIRCLIP D. 26 UNI 7437 | 1,00 | | | -- |
| 0010 | CUVR86373 | | BEARING 6000 2RS | 1,00 | | | -- |
| 0011 | LAFN00710 | | SUPPORT TRASMISSIONE ACCELERATORE | 1,00 | | | -- |
| 0012 | VTRS00504 | | WASHER D. 8 ZC. UNI 6592 | 1,00 | | | -- |
| 0013 | VTVT45395 | | SCREW TBCE ISO 7380 8X10 ZB | 1,00 | | | -- |
| 0014 | VTVT00452 | | SCREW TE 8X 50 UNI 5739 | 1,00 | | | -- |
| 0015 | VTDD00483 | | NUT M 8 ZIN UNI 5588 | 2,00 | | | -- |
| 0016 | LAFN08167 | | PEDAL - | 1,00 | | | -- |
| 0017 | VTVT45395 | | SCREW TBCE ISO 7380 8X10 ZB | 2,00 | | | -- |
| 0018 | MERL00012 | | SWITCH RELAY 12V | 1,00 | | | -- |
| 0019 | MERL00012 | | SWITCH RELAY 12V | 1,00 | | | -- |
| 0020 | MEVR33429 | | KLAXON K100/Y 1A 12V | 1,00 | | | -- |
| 0021 | VTVT00659 | | SCREW TC+ M. 4-15 | 8,00 | | | -- |
| 0022 | VTVT85116 | | SCREW AUTOF.TE FR 6,3X19 ZB | 1,00 | | | -- |
| 0023 | LAFN47030 | | BUSHING FISS.PEDALE FRENO FORATA | 1,00 | | | -- |
| 0024 | VTVT75731 | | GRUB SCREW UNI 5923 6X5 | 1,00 | | | -- |
| 0025 | MPVR45096 | | PEDAL COVER GRANDE V1021 | 1,00 | | | -- |
| 0026 | LAFN47030 | | BUSHING FISS.PEDALE FRENO FORATA | 1,00 | | | -- |
| 0027 | LAFN06886 | | PEDAL FRENO TK1000 ZINCATO | 1,00 | | | -- |
| 0028 | LAFN47019 | | BUSHING FISSAGGIO PEDALE FRENO | 1,00 | | | -- |
| 0029 | LAFN47036 | | PIN FISS.PEDALE FRENO+ALZAF.L. | 1,00 | | | -- |
| 0030 | VTAE87276 | | SEEGER EXT. D10 DIN471 | 1,00 | | | -- |
| 0031 | VTVT75731 | | GRUB SCREW UNI 5923 6X5 | 1,00 | | | -- |
| 0032 | LAFN47035 | | PIN CH.10 H.26 AT TACCO MOLLA | 1,00 | | | -- |
| 0033 | MLML75960 | | SPRING TRAZIONE TK D.8X1X29 ZB | 1,00 | | | -- |
| 0034 | VTAE87276 | | SEEGER EXT. D10 DIN471 | 1,00 | | | -- |
| 0035 | LAFN47031 | | PIN PEDALE BLOCCO FRENO 1000 | 1,00 | | | -- |
| 0036 | LAFN47033 | | BUSHING FISSAGGIO PERNO PEDALI | 1,00 | | | -- |
| 0037 | LAFN47029 | | PIN CH.10 H.16 ATTACCO MOLLA | 1,00 | | | -- |
| 0038 | VTVT75731 | | GRUB SCREW UNI 5923 6X5 | 1,00 | | | -- |
| 0039 | LAFN47032 | | PEDAL BLOCCO FRENO TK1000 ZINC | 1,00 | | | -- |
| 0040 | VTVT75731 | | GRUB SCREW UNI 5923 6X5 | 1,00 | | | -- |
| 0041 | LAFN47030 | | BUSHING FISS.PEDALE FRENO FORATA | 2,00 | | | -- |
| 0042 | LAFN00232 | | CONTAINER PORTABATT.TK1000S VERNIC. | 1,00 | | | -- |
| 0043 | LAFN87142 | | BRACKET BILANCERE ZINCATO | 1,00 | | | -- |
| 0044 | VTVT75725 | | SCREW TBCE ISO 7380 6X10 ZB | 2,00 | | | -- |

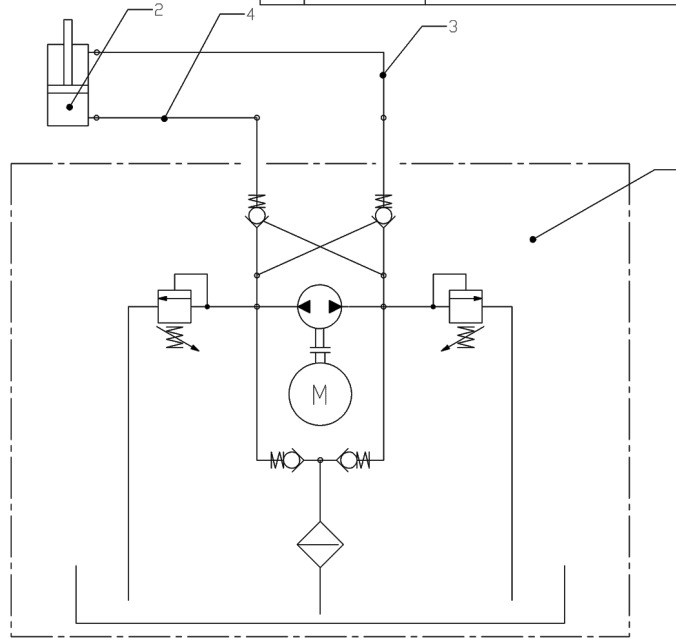


| Ref. K | Part n. | Part n. 2 | Description | Quantity | Validity | | Price |
|--------|-----------|-----------|-------------------------------------|----------|------------|------------|-------|
| | | | | | From | To | |
| 0045 | VTVT00245 | | SCREW TE M6X30 UNI 5739 | 2,00 | | | -- |
| 0047 | LAFN08183 | | BRACKET - | 1,00 | | | -- |
| 0048 | VTDD04368 | | NUT M 4 ZIN UNI 5588 | 2,00 | | | -- |
| 0049 | MEVR00030 | | FUSE-HOLDER 4 VIE COPERCHIO TRAS. | 1,00 | | | -- |
| 0050 | MEVR01133 | | FUSE 15A 32V | 1,00 | | | -- |
| 0051 | MEVR01316 | | FUSE A LAMA 10 A. 32V | 1,00 | | | -- |
| 0052 | MEVR01316 | | FUSE A LAMA 10 A. 32V | 1,00 | | | -- |
| 0053 | VTVT00003 | | SCREW TE M 4X 12 ZC. UNI 5739 | 2,00 | | | -- |
| 0054 | ABGO00026 | | VIBRATION DAMP. | 2,00 | | | -- |
| 0055 | VTDD10776 | | NUT M 8 X1 UNI 5588 | 4,00 | | | -- |
| 0056 | LAFN07862 | | BRACKET - | 1,00 | | | -- |
| 0057 | MECI75801 | | MICROSWITCH A PISTONE (MS/10-Z15GC) | 1,00 | | | -- |
| 0058 | MECI87180 | | SWITCH A CHIAVE | 1,00 | | | -- |
| 0059 | MEVR00036 | | WARN-LIGHT VERDE NEUTRA | 1,00 | | | -- |
| 0060 | MESB00010 | | HOUR-COUNTER CURTIS | 1,00 | | | -- |
| 0061 | MEVR85330 | | BUTTON - | 1,00 | | | -- |
| 0062 | MEVR85330 | | BUTTON - | 1,00 | | | -- |
| 0064 | CMCV75739 | | ACCELERATOR TK S | 1,00 | | | -- |
| 0065 | ETET01799 | | LABEL - | 1,00 | | 06/10/2021 | -- |
| 0065 | ETET16199 | | LABEL - | 1,00 | 07/10/2021 | | -- |
| 0066 | LAFN08205 | | BOARD - | 1,00 | | | -- |
| 0067 | MPVR00739 | | RUBBER PARAPOLVERE CILIND.STABIL | 1,00 | | | -- |
| 0068 | MECI00571 | | BUTTON EMERGENCY BL.SB 1250 | 1,00 | | | -- |
| 0069 | MECE00476 | | BOARD 20W | 1,00 | | | -- |
| 0070 | MECI00573 | | SELECTOR - | 1,00 | | | -- |
| 0071 | MECI00523 | | BUTTON WHITE | 1,00 | | 02/10/2018 | -- |
| 0071 | MECI00666 | | BUTTON - | 1,00 | 03/10/2018 | | -- |
| 0072 | MECI00520 | | SMALL BASKET FIX TO FIX CONTACT | 1,00 | | 02/10/2018 | -- |
| 0072 | MECI00665 | | SUPPORT - | 1,00 | 03/10/2018 | | -- |
| 0073 | MECI00517 | | CONTACT NO 3-4 | 1,00 | 03/10/2018 | 02/10/2018 | -- |
| 0073 | MECI00663 | | CONTACT 1NA | 1,00 | 03/10/2018 | | -- |
| 0074 | VTVT00003 | | SCREW TE M 4X 12 ZC. UNI 5739 | 2,00 | | | -- |
| 0075 | VTRS00501 | | WASHER D. 4 0.232 UNI 6592 | 2,00 | | | -- |
| 0076 | VTDD04369 | | NUT M 4 TEF UNI 7473 | 2,00 | | | -- |
| 0077 | MECE00596 | | BOARD HOPPER LIFT 1280 | 1,00 | | | -- |
| 0078 | MERL00012 | | SWITCH RELAY 12V | 1,00 | | | -- |
| 0079 | MERL00012 | | SWITCH RELAY 12V | 1,00 | | | -- |
| 0080 | LAFN09384 | | SUPPORT - | 1,00 | | | -- |
| 0081 | VTVT62920 | | SCREW TE FR 6X16 ZB ZIGRINATE | 2,00 | | | -- |
| 0082 | VTDD00491 | | NUT M 6 TEF | 2,00 | | | -- |
| 0083 | MEVR02013 | | BUZZER - | 1,00 | | | -- |
| 0084 | MEVR02101 | | LED - | 1,00 | | | -- |
| 0085 | MEVR01925 | | FUSE 150A | 1,00 | | | -- |
| 0086 | MEVR00146 | | FUSE-HOLDER MEGA | 1,00 | | | -- |

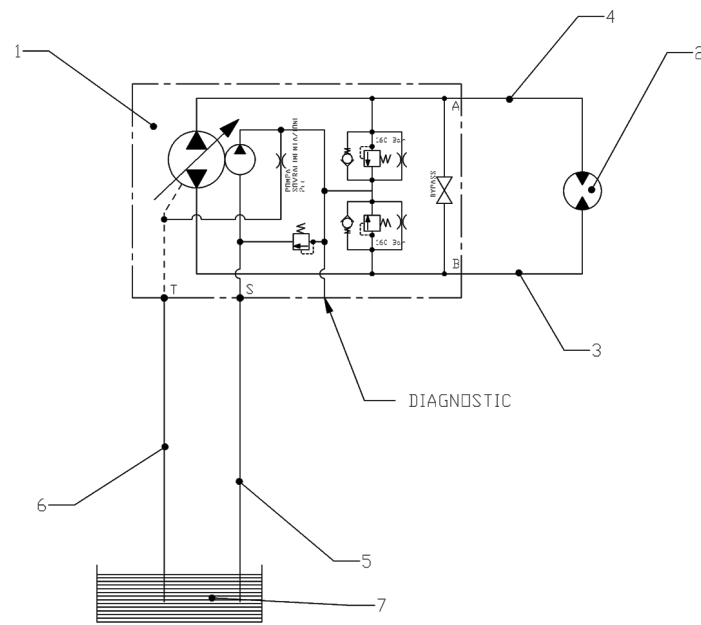


| Ref. K | Part n. | Part n. 2 | Description | Quantity | Validity | | Price |
|--------|-----------|-----------|---------------------------------|----------|------------|----|-------|
| | | | | | From | To | |
| 0087 | VTVT75726 | | SCREW TBCE ISO 7380 6X16 ZB | 2,00 | | | -- |
| 0088 | VTRS00503 | | WASHER D. 6 UNI 6592 | 2,00 | | | -- |
| 0089 | VTDD00491 | | NUT M 6 TEF | 2,00 | | | -- |
| 0090 | MEVR00056 | | KEY QUADRO AVV.COBO TK1000S | 1,00 | | | -- |
| 0091 | BAAC75749 | | BATTERY 12V 45A X SW1000SC | 1,00 | | | -- |
| 0092 | VTVT00448 | | SCREW TE 8X30 UNI5739 | 1,00 | | | -- |
| 0093 | METK00017 | | SENSOR TEMPERATURE 70°C | 1,00 | 03/03/2020 | | -- |
| 0094 | GUGO00675 | | GASKET - | 1,00 | 03/03/2020 | | -- |
| 0095 | VTVT00040 | | SCREW AUTOF.TC UNI6954 3,5X10SP | 2,00 | 03/03/2020 | | -- |

| Pos | Codice | DENOMINAZIONE |
|-----|-----------|-------------------------------|
| 1 | PPEL45108 | ELETTROPOMPA IDR. 24V L.14 |
| 1 | PPEL00026 | ELETTROPOMPA 14L 12V 350W Ø80 |
| 2 | PIID45105 | PISTONE IDRAULICO D.50 ST25 |
| 3 | TBAP45106 | TUBO 3/16 RACC L.14 |
| 4 | TBAP45107 | TUBO 3/16 RACC L.14 |



| Ref. K | Part n. | Part n. 2 | Description | Quantity | Validity | | Price |
|--------|-----------|-----------|---------------------------------|----------|----------|----|-------|
| | | | | | From | To | |
| 0002 | PIID00001 | | PISTONE SOLLEV.CASS.POST.TK1300 | 1,00 | | | -- |



| | | | |
|---|-----------|---------------------------|-------------------------|
| 1 | PPBP00048 | POMPA TRAZIONE | TRACTION PUMP |
| 2 | PPBP00001 | MOTORE TRAZIONE | TRACTION MOTOR |
| 3 | TBFX85522 | TUBO FLEX 5/16 L.1510 | HOSE FLEX 5/16 L.1510 |
| 4 | TBFX85523 | TUBO FLEX 5/16 L.1410 | HOSE FLEX 5/16 L.1410 |
| 5 | TBBP00436 | TUBO ASPIRAZIONE L=490 | INLET HOSE L=490 |
| 6 | TBBP87182 | TUBO B.P.670 MM | LOW PRESSURE HOSE 670MM |
| 7 | MPVR00015 | SERBATOIO OLIO CON FILTRO | OIL TANK WITH FILTER |

| Ref. K | Part n. | Part n. 2 | Description | Quantity | Validity | | Price |
|--------|-----------|-----------|----------------------------------|----------|----------|----|-------|
| | | | | | From | To | |
| 0001 | PPBP00048 | | PUMP 10 CC | 1,00 | | | -- |
| 0002 | PPBP00001 | | MOTORE IDRAULICO MGLR 100A 25NIT | 1,00 | | | -- |
| 0003 | TBFX85522 | | TUBE 5/16 L.1530 25001001 | 1,00 | | | -- |
| 0004 | TBFX85523 | | TUBE 5/16 COMPL.L.1410 MARCIA | 1,00 | | | -- |
| 0005 | TBBP00436 | | TUBE L=490 | 1,00 | | | -- |
| 0006 | TBBP87182 | | TUBE BASSA PRESSIONE L.670 | 1,00 | | | -- |
| 0007 | MPVR00015 | | TANK X OLIO CON FILTRO TK1000S | 1,00 | | | -- |