

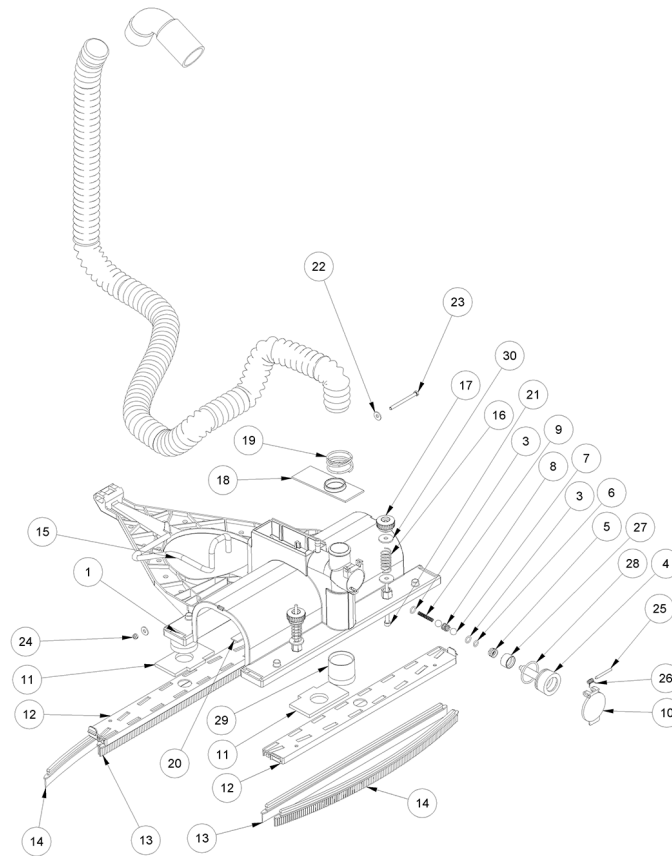


IPC

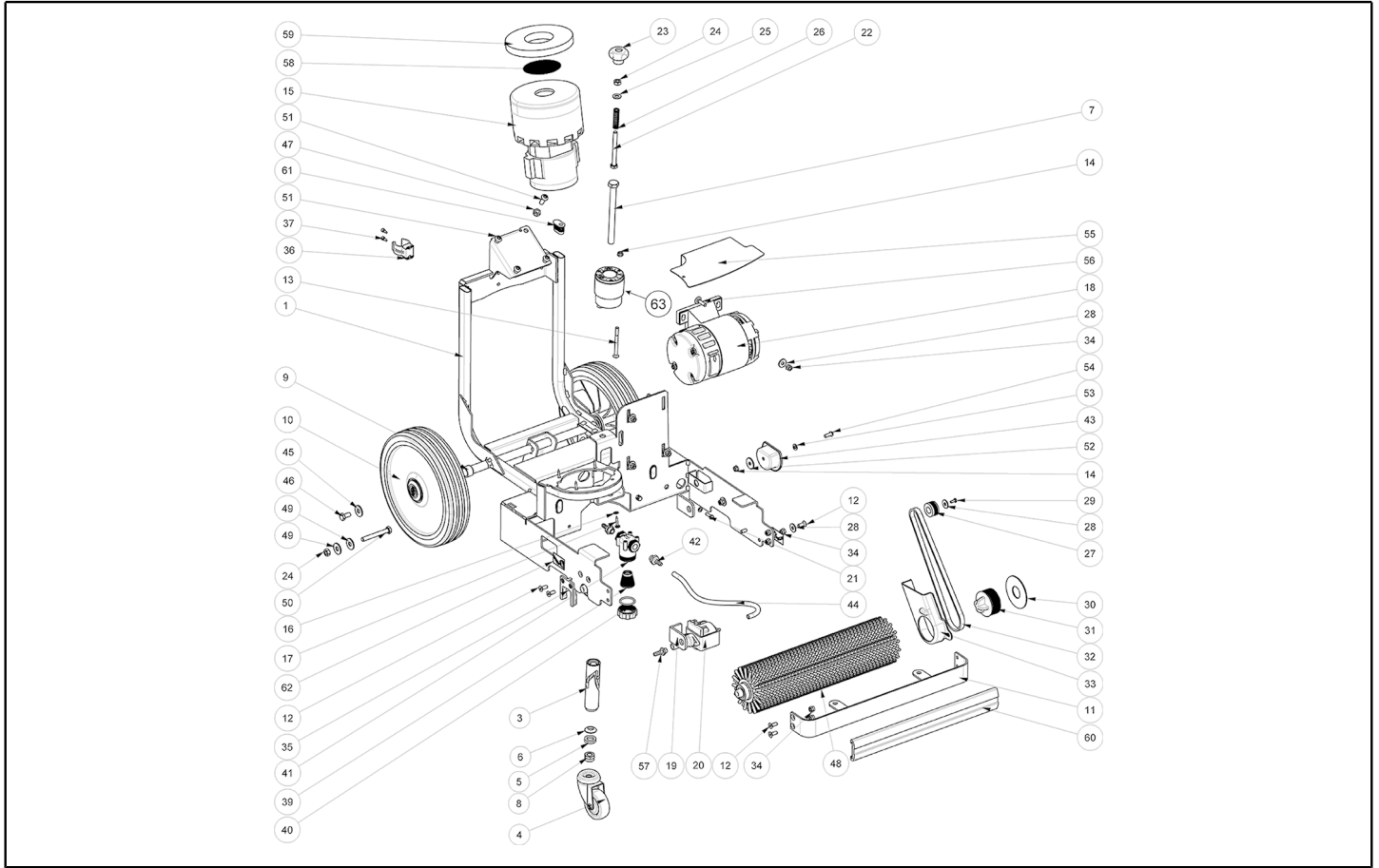
Spare parts list

Ref: LPTB02862

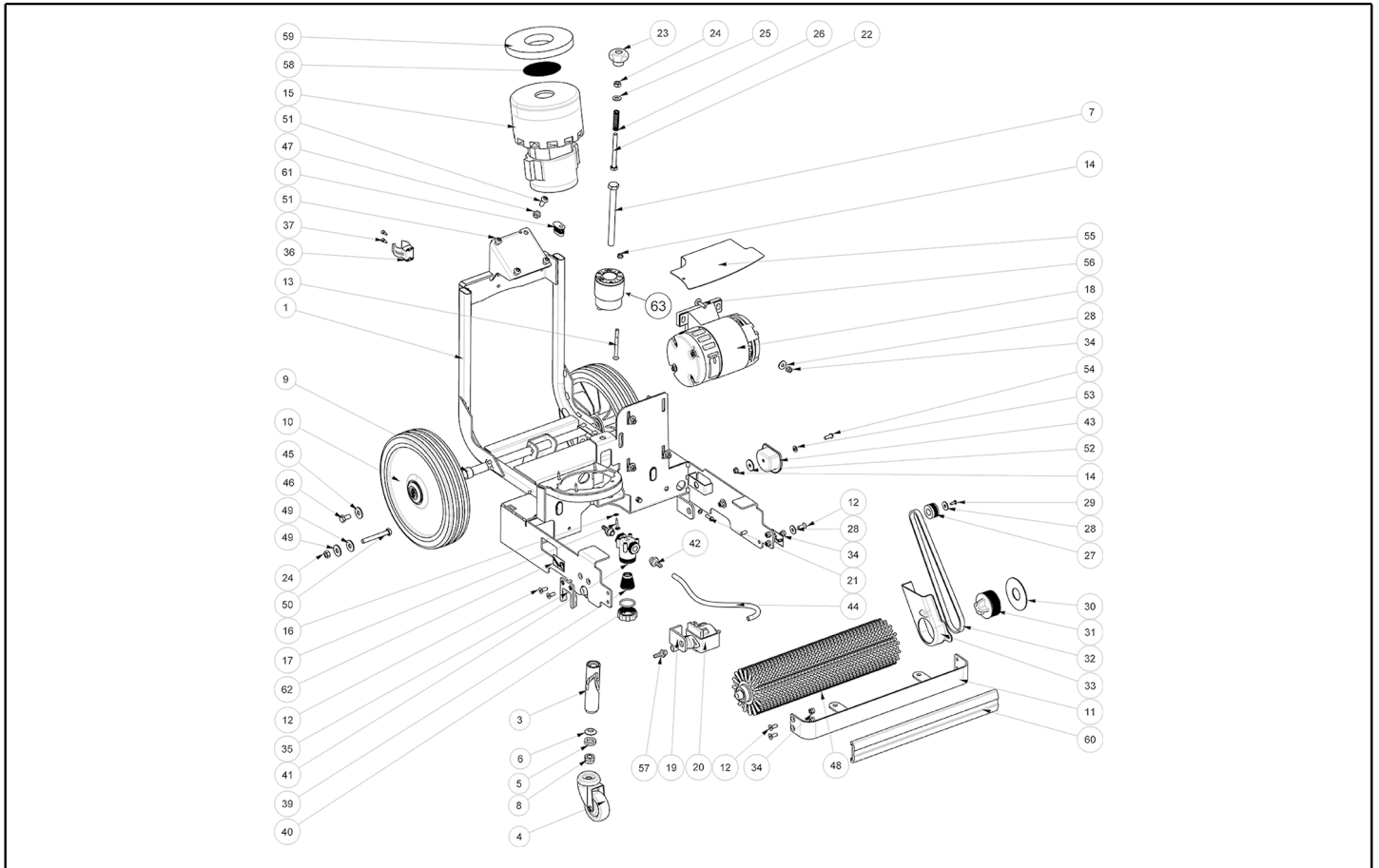
Model: FLOOR WASHER CT15 B35R+BAT GR/VE



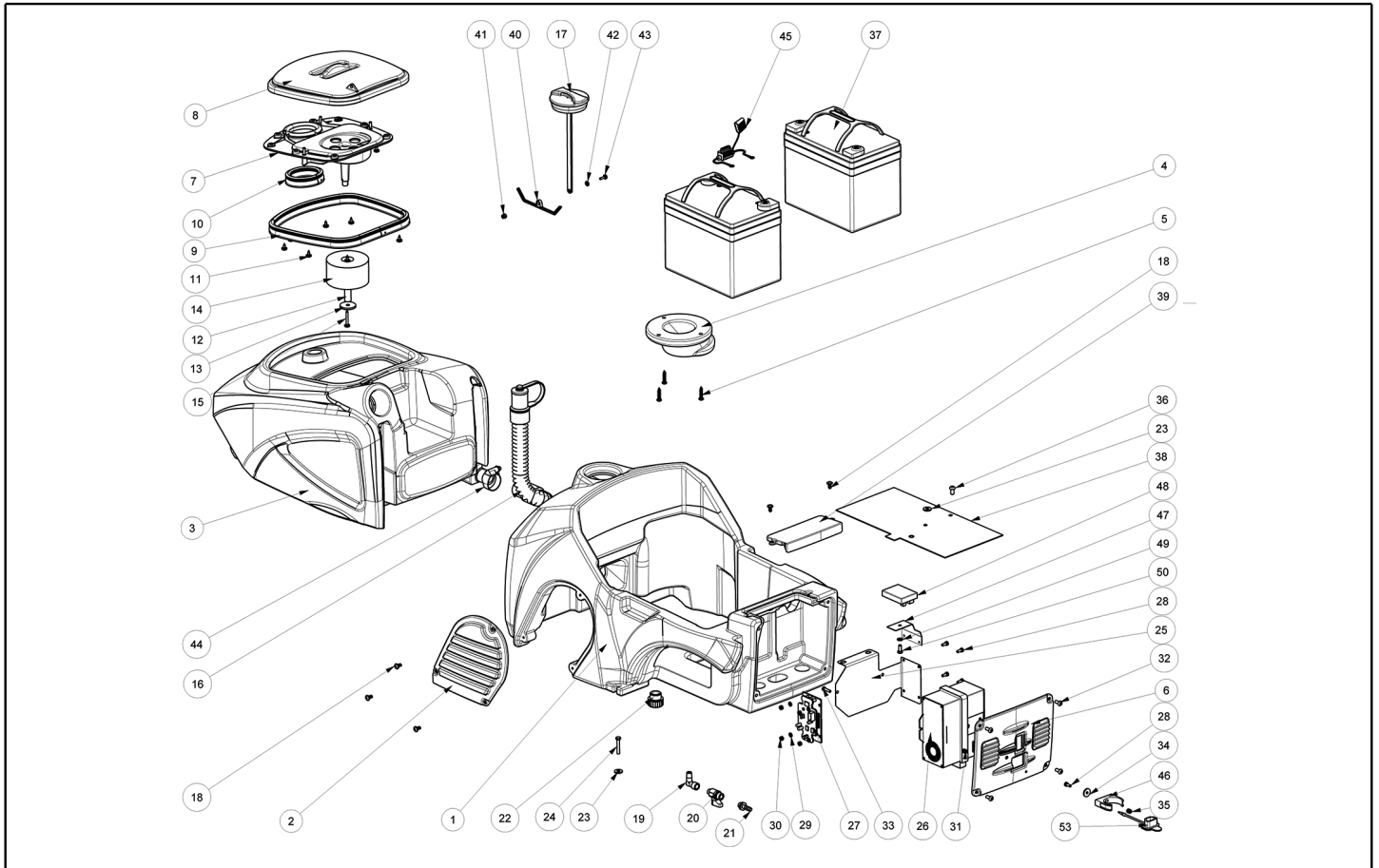
Ref. K	Part n.	Part n. 2	Description	Quantity	Validity		Price
					From	To	
0001	MPVR10609		SUPPORT SQUEEGEE	1,00			--
0002	TBFX00376		TUBE -	1,00			--
0003	GUGO00164		GASKET	2,00			--
0004	LAFN05111		PROTECTION ACCESSORIO	1,00			--
0005	RCDS34777		BUSHING D.20 OTT.	1,00			--
0006	GUGO00165		GASKET	1,00			--
0007	SFVR34773		BALL D. 7/16" PPH	2,00			--
0008	MLML00184		SPRING COMPRESSIONE D.10-1	1,00			--
0009	MLML34772		SPRING D. 5 X40	1,00			--
0010	MPVR34711		COVER E 350N	1,00			--
0011	GUGO38416		GASKET E350 II	1,00			--
0012	MPVR10719		SUPPORT BLADE CT15R	2,00			--
0013	MPVR31594		RUBBER H31 E 350N	2,00			--
0014	MPVR10734		FLAP -	2,00			--
0015	TBBP00003		TUBE CRISTALLO 6X9	0,02			--
0016	MLML00302		SPRING REGISTRAZIONE FLAP	2,00			--
0017	MPVR05627		KNOB -	2,00			--
0018	MPVR02180		CAP	1,00			--
0019	MLML00475		SPRING -	1,00			--
0020	MPVR03455		BRACKET	1,00			--
0021	VTVT01175		SCREW M6x80	2,00			--
0022	VTRS13750		WASHER D. 5X14 INX	2,00			--
0023	VTVT00663		SCREW M5X60	1,00			--
0024	VTDD01693		NUT M 5 INX	1,00			--
0025	VTVR34710		PLUG 4X35	1,00			--
0026	MLML34775		SPRING E350 N	1,00			--
0027	LAFN03904			1,00			--
0028	GUGO00488		GASKET -	1,00			--
0029	MPVR11994		SLEEVE CT15R	2,00	01/03/2018		--
0030	VTRS16937		WASHER 6x24 INOX UNI 6593	4,00			--



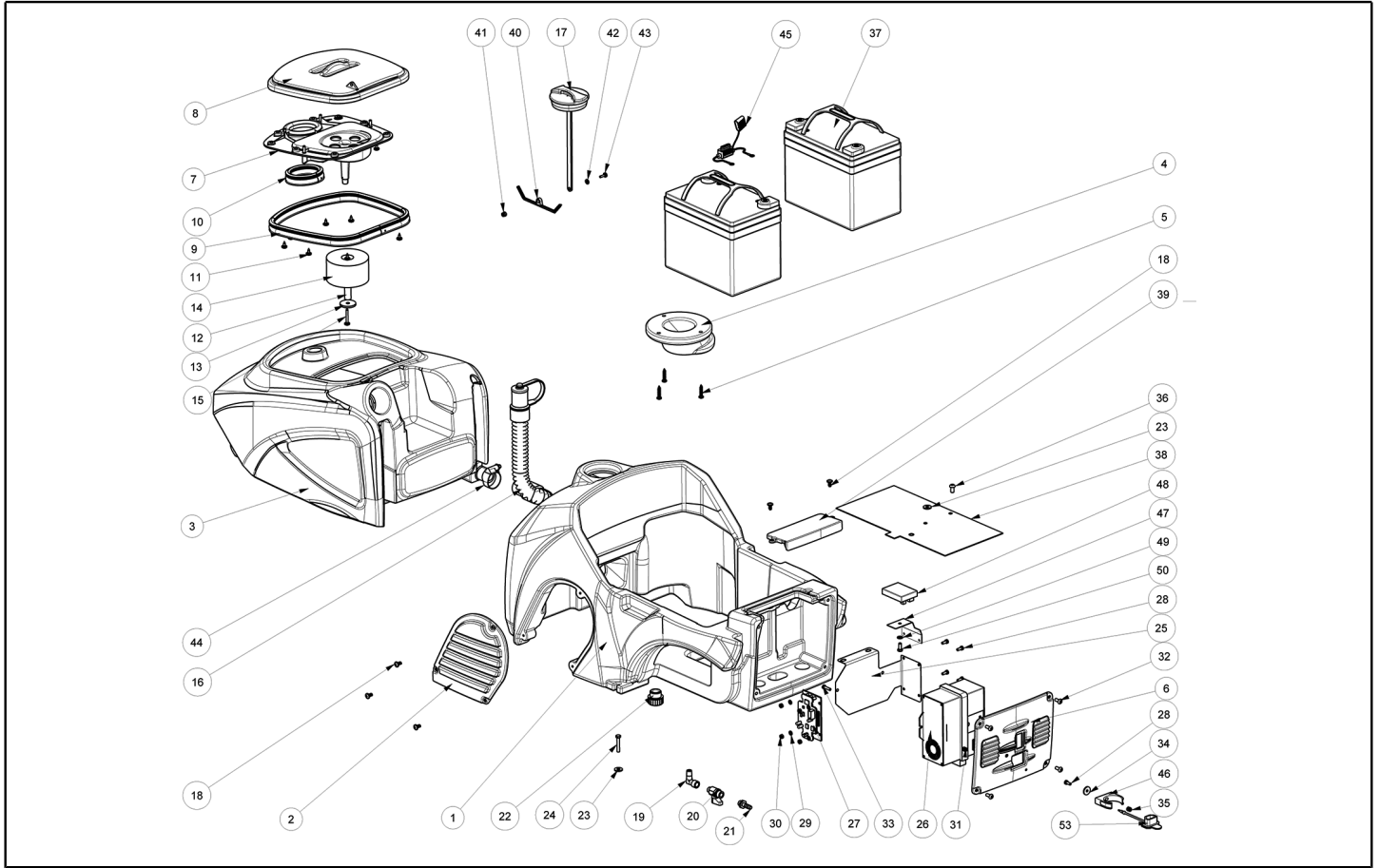
Ref. K	Part n.	Part n. 2	Description	Quantity	Validity		Price
					From	To	
0001	LAFN09451		FRAME -	1,00			--
0002	MPVR07136		BUSHING -	1,00			--
0003	MPVR06519		PIN -	1,00			--
0004	RTRT00580		WHEEL -	1,00			--
0005	VTVT00868		SCREW TE M12-140	1,00			--
0006	VTRS00576		WASHER D12	1,00			--
0007	VTVT00868		SCREW TE M12-140	1,00			--
0008	VTDD00176		NUT M.12 INOX A2 BASSO AUTOB.	1,00			--
0009	LAFN08915		BUSHING -	2,00			--
0010	RTRT00537		WHEEL GRAY d.250 CT15-30-45	2,00			--
0011	LAFN09452		BUMPER -	1,00			--
0012	VTVT00832		SCREW TSPEI M6X16 INOX	9,00			--
0013	VTVT01160		SCREW M6x65	3,00			--
0014	VTDD01694		NUT M6 INOX	4,00			--
0015	MOCC00397		MOTOR VACUUM CT15-30-45-46	1,00			--
0016	VTRS00516		WASHER D. 5 INX	6,00			--
0017	VTVT00103		SCREW AUTOF.TC UNI 6954 4,8X22	4,00			--
0018	MOCC00451		MOTOR -	1,00			--
0019	ABGO00010		SUPPORT ANTIVIBRANTE POMPA L15-20	2,00			--
0020	PPEL00028		PUMP 24V	1,00			--
0021	VTVT07725		SCREW TE 5X16 UNI5739 INX	2,00			--
0022	VTVT00734		SCREW TE M. 8-80	1,00			--
0023	VTVR35378		HANDWHEEL F 8MAX20 D.40	1,00			--
0024	VTDD15521		NUT M 8 INX A2 UNI 5588	2,00			--
0025	VTRS13947		WASHER D. 8 INX UNI 6592	1,00			--
0026	MLML00033		SPRING ALZAFLAP SILVER ZB	1,00			--
0027	MTPL31027		PULLEY POLY-V J4	1,00			--
0028	VTRS13945		WASHER D. 6X18 INX UNI 6593	7,00			--
0029	VTVT21096		SCREW TE M 4X 10 INX	1,00			--
0030	LAFN34719		DISC E 350	1,00			--
0031	MPVR04119		PULLEY TRASC.RULLO350	1,00			--
0032	MTCG31927		BELT POLY 559-220 J 4	1,00			--
0033	MPVR34721		CRANKCASE E 350N	1,00			--
0034	VTDD15518		NUT M 6 INX	6,00			--
0035	MPVR31929		SUPPORT ROLLER BRUSH	1,00			--
0036	MPVR06412		TUBE CLIP I.D. 25 MM	1,00			--
0037	VTVT00089		SCREW TCCE UNI 5931 4X10 ZB	2,00			--
0038	GUGO00446		O-RING -	1,00			--
0039	MPVR07071		FILTER CT15	1,00			--
0040	MPVR07069		CAP CT15	1,00		13/05/2018	--
0040	MPVR11952		CAP FILTER	1,00	14/05/2018		--
0041	MPVR07070		BODY CT15	1,00		13/05/2018	--
0041	MPVR11949		BODY FILTRO	1,00	14/05/2018		--
0042	RCVR00786		CONNECTOR -	2,00			--



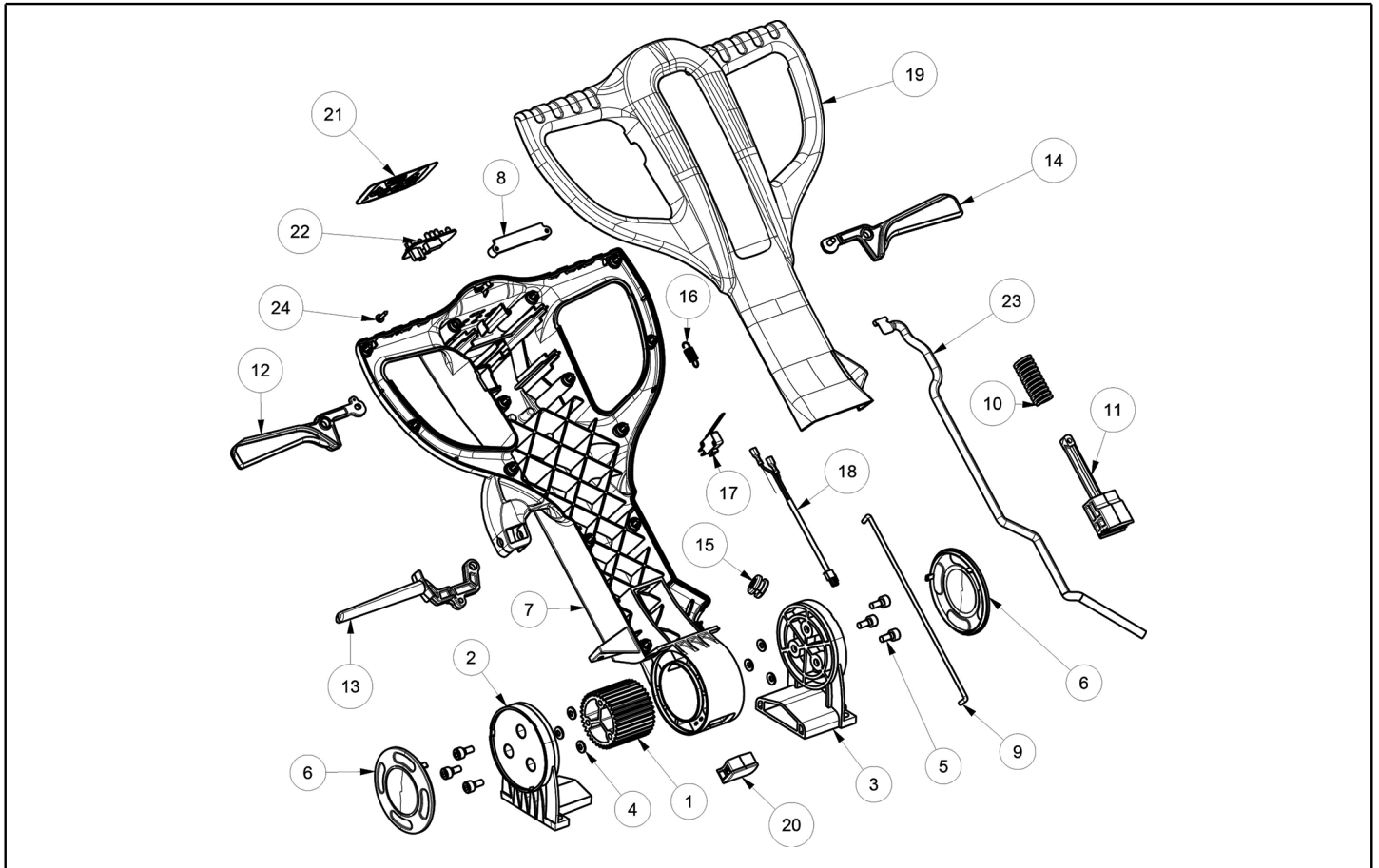
Ref. K	Part n.	Part n. 2	Description	Quantity	Validity		Price
					From	To	
0043	MPVR06520		COVER -	1,00			--
0045	VTRS00512		WASHER D. 8 X24 ZC.	2,00			--
0046	VTVT01110		SCREW TE 8X16 UNI5739	2,00			--
0047	VTDD00124		NUT M8 DIN985	4,00			--
0048	SPPV01552		BRUSH CT15R	1,00			--
0049	VTRS13946		WASHER D. 8 X24 INX UNI 6593	2,00			--
0050	VTVT00757		SCREW	1,00			--
0051	VTVT75724		SCREW TBCE ISO 7380 8X22 ZB	4,00			--
0052	VTRS63242		WASHER UNI 6593 6X24X2 ZB	1,00			--
0053	VTRS00503		WASHER D. 6 UNI 6592	1,00			--
0054	VTVT00787		SCREW TBEI M 6-16	1,00			--
0055	LAFN11012		BRACKET -	1,00			--
0056	VTVT00711		SCREW TTQ	4,00		04/04/2018	--
0056	VTVT15141		SCREW TE M 6X 25 UNI 5739 INX	4,00	05/04/2018		--
0057	RCVR00004		CONNECTOR PORTAGOMMA 1/8" D.7	1,00			--
0058	LAFN05830		FILTER VAC.MOTOR SUS	1,00			--
0059	GUGO00503		GASKET	1,00			--
0060	MPVR10741		BUMPER -	1,00			--
0061	GUGO00508		GASKET 30X15	1,00			--
0062	ETET20289		LABEL CT15R	1,00	01/03/2018		--
0063	MPVR07136		BUSHING -	1,00			--



Ref. K	Part n.	Part n. 2	Description	Quantity	Validity		Price
					From	To	
0001	MPVR06515		TANK -	1,00			--
0002	MPVR06517		CRANKCASE -	1,00			--
0003	MPVR05823		TANK RECOVERY CT15	1,00			--
0004	MPVR06516		FLANGE -	1,00			--
0005	VTVT00875		SCREW TC+ 5X25	3,00			--
0006	MPVR05828		COVER BATTERY CHARGER CT15	1,00			--
0007	MPVR05826		COVER INNER LID TANK CT15-30	1,00			--
0008	MPVR05825		COVER -	1,00			--
0009	GUVR00306		GASKET RECOVERY TANK LID CT15	1,00			--
0010	GUVR00307		GASKET CT15-30-45 LID.SHORT	1,00			--
0011	VTVT01694		SCREW SELF TAPPING 4.8X9.5 SUS	8,00			--
0012	LAFN07923		SPACER -	1,00			--
0013	VTRS00573		WASHER 30x6x3	1,00			--
0014	MPVR06005		FLOATER CT15-CT30 ZAOH	1,00			--
0015	VTVT01197		SCREW TCIC 4,8X31	1,00			--
0016	TBFX00346		TUBE DRAIN RECOVERY TANK CT15	1,00			--
0017	MPVR05188		CAP SOLUTION TANK	1,00			--
0018	VTVT01432		SCREW 50X10	3,00			--
0019	RCVR34780		ELBOW 1/8" M/F A10	1,00			--
0020	RCGR00008		VALVE SOLUTION M/F 1/8"	1,00			--
0021	RCVR00004		CONNECTOR PORTAGOMMA 1/8" D.7	1,00			--
0022	MPVR08003		CAP	1,00		02/11/2016	--
0022	MPVR10774		CAP 1/2"	1,00	03/11/2016		--
0023	VTRS13945		WASHER D. 6X18 INX UNI 6593	2,00			--
0024	VTVT00433		SCREW TE M 6X 30 UNI 5739 INX	2,00			--
0025	LAFN08893		PLATE -	1,00			--
0026	BACA00152		BATTERY-CHARGER CBHD1 24V 5A	1,00			--
0027	MECE00742		BOARD POWER CT15-30-45B-BT	1,00		15/01/2019	--
0027	MECE00825		BOARD POWER CT15-30-45B-BT	1,00	16/02/2019	09/04/2019	--
0027	MECE00827		BOARD POWER CT15-30-45B-BT	1,00	10/04/2019		--
0028	VTVT09841		SCREW TE M 4X 10 ZC. UNI 5739	4,00		15/01/2019	--
0028	VTVT01529		SCREW TE M4X20 ZINC. UNI 5739	4,00	16/01/2019		--
0029	VTRS00377		WASHER M4	4,00		15/01/2019	--
0029	VTRS00501		WASHER D. 4 0.232 UNI 6592	4,00	16/01/2019		--
0030	VTDD04368		NUT M 4 ZIN UNI 5588	4,00			--
0031	VTDD04369		NUT M 4 TEF UNI 7473	2,00			--
0032	VTVT75733		SCREW TBCE ISO 7380 5X12 ZB	4,00			--
0033	VTVT29884		SCREW TE UNI 5739 4X16 ZB	1,00			--
0034	VTRS00251		WASHER 4-16 INOX A2	1,00			--
0035	VTDD15925		NUT M 4 INX+ZN	1,00			--
0036	VTVT00640		SCREW TBEI M 6X 12 ISO 7380 IX	2,00			--
0037	BAAC00114		BATTERY 12V 29Ah/C5 CT15	2,00			--
0038	MPVR05907		PROTECTION	1,00			--
0039	MPVR06518		COVER -	1,00			--



Ref. K	Part n.	Part n. 2	Description	Quantity	Validity		Price
					From	To	
0040	MPVR08038		PLATE CT15-30	1,00			--
0041	VTDD00055		NUT M 4 ATB A2	1,00			--
0042	VTRS00515		WASHER D. 4 INX	1,00			--
0043	VTVT15965		SCREW TCB-TC 4X12 UNI7687 INX	1,00			--
0044	FSVR00002		CLAMP EKOFLEX 9 23-35	1,00			--
0045	MECB01358		WIRING WITH FUSE HOLDER CT15B	1,00			--
0046	MPVR06568		HOSE COLLAR -	1,00			--
0047	LAFN11011		BRACKET -	1,00			--
0048	MECE00621		BOARD	1,00			--
0049	VTRS00501		WASHER D. 4 0.232 UNI 6592	1,00			--
0050	VTVT09841		SCREW TE M 4X 10 ZC. UNI 5739	1,00			--
0053	MPVR10801		CAP IEC	1,00			--



Ref. K	Part n.	Part n. 2	Description	Quantity	Validity		Price
					From	To	
0001	MPVR06056		GEAR -	1,00			--
0002	MPVR06053		SHELL DX	1,00			--
0003	MPVR06054		SHELL SX	1,00			--
0005	VTVT00876		SCREW TCEI M.8-16	6,00			--
0006	MPVR06055		COVER -	2,00			--
0007	MPVR06047		SHELL REAR HANDLE CT15-30-45	1,00			--
0008	MPVR06298		SUPPORT ELECTRONIC CARD	1,00			--
0009	KTRIO2273		KIT HANDLE ADJUST ROD	1,00			--
0010	MLML00337		SPRING -	1,00			--
0011	MPVR06052		HANDLE SUPPORT	1,00			--
0012	MPVR06049		LEVER DX	1,00			--
0013	MPVR06050		LEVER ADJUSTMENT	1,00			--
0014	MPVR06048		LEVER SX	1,00			--
0015	MPVR06057		FAIR-LEAD HANDLE CT15	1,00			--
0016	MLML00336		SPRING -	1,00			--
0017	MECI36393		MICROSWITCH ACTIVATION TRCTN.	1,00			--
0018	MECB01324		WIRING PUSH BOTTON CT45 C	1,00			--
0019	MPVR06046		CRANKCASE NEW HANDLE FRONT 15-30-45	1,00			--
0020	MPVR06297		COVER CT55	1,00			--
0021	ETET01842		LABEL DASHBOARD CT15-30-45 ECO	1,00			--
0022	MECE00605		BOARD LOGIC CT30 24V	1,00		15/06/2016	--
0022	MECE00740		BOARD LOGIC CT15-30-45-46 B	1,00	16/06/2016		--
0023	MECB01396		WIRING RIBBON ROUND FLAT CT15-30	1,00			--
0024	VTVT01371		SCREW 4,8X19	14,00			--